



FreeSpace® 6 Business Music System

General Description

The Bose® FreeSpace® 6 business music system combines from 4 to 16 Bose full-range loudspeakers with advanced electronics to create a system that offers high-fidelity, stereo sound for commercial environments. The system offers two versions of loudspeaker: a flush-mount and a surface-mount. The system has the following features:

- High-fidelity sound over a large area due to the wide beamwidth of the loudspeakers
- Active equalization, music compression, and system overload protection
- Unobtrusive yet stylish components, reliability, and easy installation
- Opti-voice® circuitry for high quality paging capability
- Remote control of volume and source selection

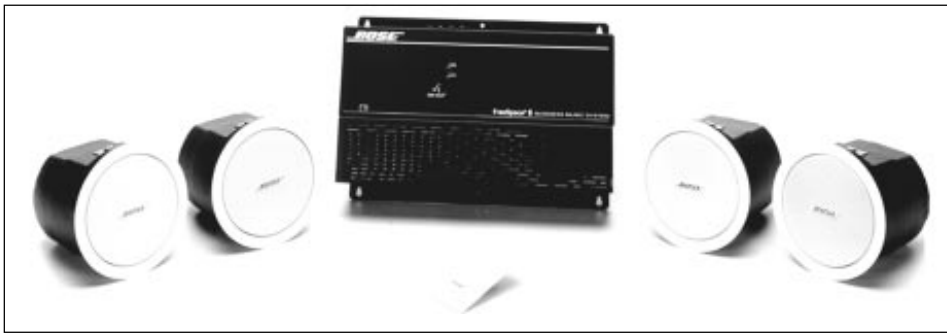
System Expansion

The basic FreeSpace 6 business music system is supplied with four flush-mount or surface-mount loudspeakers. If additional loudspeakers are required for coverage in larger spaces, the FreeSpace 6 Expansion Module (Prod. Code 010235) is required. The Expansion Module can power one to 12 additional loudspeakers. System expansion requires connecting the loudspeaker cable from each loudspeaker to the Expansion Module and plugging the Expansion Module into Block 13 of the FreeSpace 6 system electronics.

Loudspeakers per Channel	Max. Acoustic Output @ 1m	Max. Ceiling Height
1	91dB	16 feet
2	91dB	
3	89dB	14 feet
4	90dB	
5	83dB/86dB	12 feet
6	89dB	
7	82dB/85dB	
8	88dB	



FreeSpace
BUSINESS MUSIC SYSTEMS



Technical Specifications

System Specifications:

Input Sensitivity
200mV (Music Input)
200µV (Page Input)

Music Input Impedance, Channel A
Balanced: 32kΩ
Unbalanced: 11kΩ

Music Input Impedance, Channel B
Unbalanced: 10kΩ

Page Input Impedance
Balanced: 9kΩ
Unbalanced: 1kΩ

Page & Line Output Impedance
400Ω

Page Gain
0dB – 80dB adjustable

Frequency Range
80Hz – 16kHz

Noise at speaker output (with gain controls at maximum setting)
noise -50dBV or 3mV max
(equivalent to 30dB-SPL at 1 meter)

Power Consumption
140W (max)

Opti-voice® Paging Circuitry
Voice band equalization for maximum speech intelligibility

AGC circuit for automatic compensation of varying input levels

Gradual return of music to original level after page

Loudspeaker Specifications:

Transducer
2.5" full-range driver

Frequency Range
80Hz – 16kHz (±3dB)

Beamwidth (average over 1 – 4kHz)
Flush-mount loudspeaker: 150° @ -6dB
Surface-mount loudspeaker: 150° @ -6dB

Regulatory Compliance
Complies with UL-813, CSA-C22.2, IEC 65, Dentori

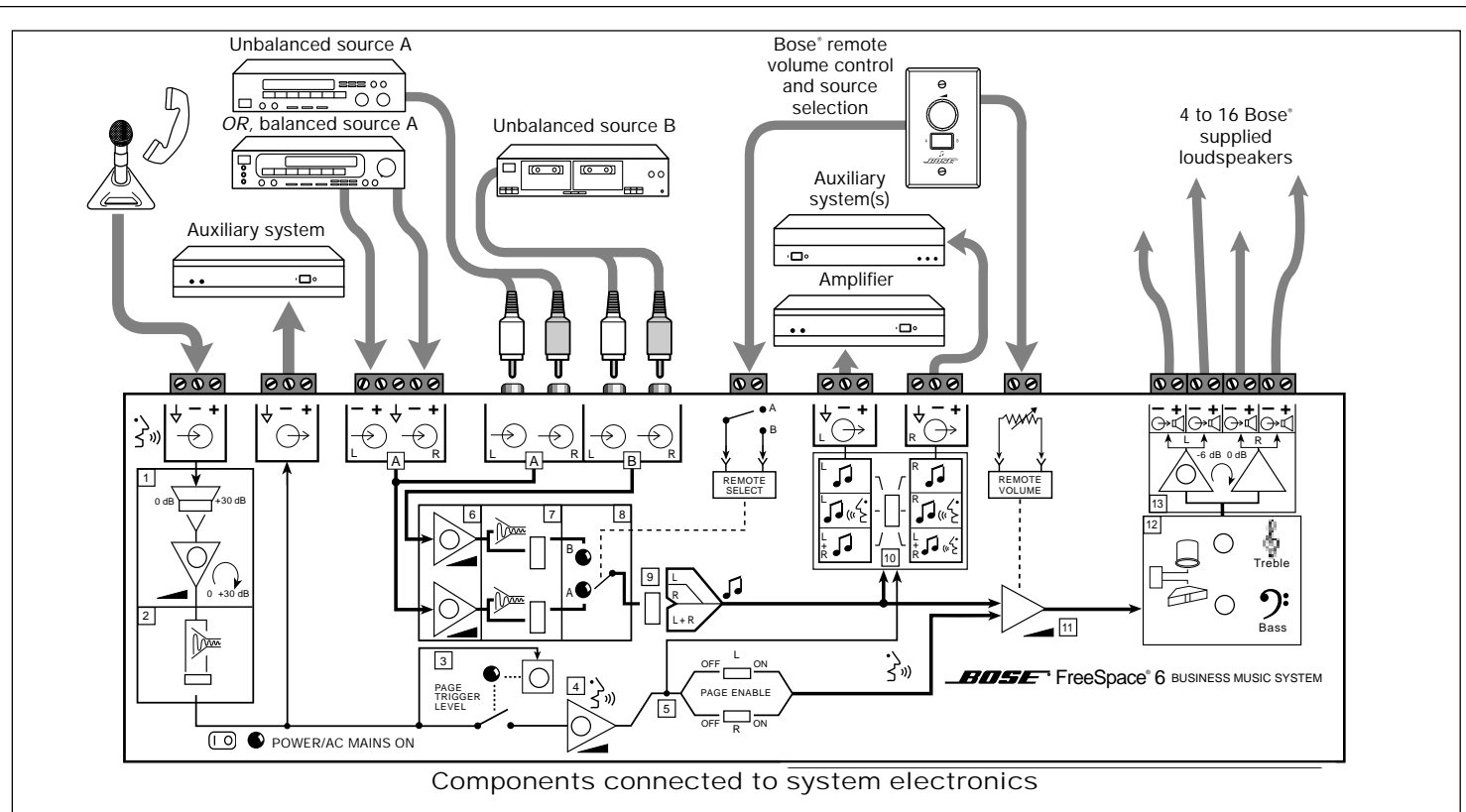
Dimensions:

Flush-mount Loudspeakers:
Flange Diameter: 6.25" (15.9 cm)
Hole Diameter: 5.75" (14.6 cm)
Depth: 6.5" (16.5 cm)
Weight: 2.1 lb (.97 kg) loudspeaker only,
4.2 lb (1.9 kg) including mounting hardware

Surface-mount Loudspeakers:
3.3" (H) x 7.6" (W) x 6.4" (D)
(8.3 cm (H) x 19.3 cm (W) x 16.33 cm (D))
Weight:
2.5 lb (1.2 kg) including mouting hardware

System Electronics
4" (H) x 7.5" (W) x 15" (D)
(10.16 cm (H) x 19.05 cm (W) x 38.1 cm (D))
Weight: 11.3 lb (5.14 kg)

Power Requirements
120V or 220-240V ~ 50/60Hz



Engineers' and Architects' Specifications

The system shall be a fully integrated business music system, designed for permanent installation in commercial environments. Its primary use shall be the reproduction of high-fidelity, natural sound, and clear paging.

The system shall be comprised of Bose® full-range flush-mount or surface-mount loudspeakers and advanced system electronics. Output connections shall accommodate system expansion and a variety of system configurations.

The electronic components shall be housed in a metal enclosure. All set-up controls shall be concealed from the day-to-day user by a tamper-resistant cover. Volume and source shall be selected and controlled from a wired remote control unit which can be installed in a location convenient to the user.

The input sensitivity shall be 200mV for music inputs and 200µV for page input.

The input impedance of the music inputs shall be 32kΩ balanced and 11kΩ unbalanced for Channel A. The input impedance of the music input for Channel B shall be 10kΩ unbalanced.

The input impedance of the page input shall be 9kΩ balanced and 1kΩ unbalanced. The output impedance of the line and page outputs shall be 400Ω.

The noise at the loudspeaker outputs (with gain controls at maximum setting) shall be -50dBV or 3mV maximum, the equivalent to 30dB-SPL at 1 meter.

The loudspeakers shall have 2.5" drivers.

The bandwidth shall be 80Hz to 16kHz. The average beamwidth over 1kHz to 4kHz shall be 150° at -6dB for the flush-mount loudspeaker. The average beamwidth over 1kHz to 4kHz shall be 150° at -6dB for the surface-mount loudspeaker. The power handling of each loudspeaker shall be 8 Watts.

The dimensions of the electronics component shall be 4" (H) x 7.5" (W) x 15" (D) (10.16 cm (H) x 19.05 cm (W) x 38.1 cm (D)). It shall weigh 11.3 lb (5.14 kg).

The diameter of the front part of the flush-mount loudspeaker shall be 6.25" (15.9 cm); the diameter of the hole shall be 5.75" (14.6 cm). The flush-mount loudspeaker shall be 6.5" (16.5 cm) deep and shall weigh 2.1 lb (.97 kg).

The dimensions of the surface-mount loudspeaker shall be 3.3" (H) x 7.6" (W) x 6.4" (D) (8.38 cm (H) x 19.3 cm (W) x 16.33 cm (D)). The surface-mount loudspeaker shall weigh 2.5 lb (1.2 kg) with mounting hardware installed.

The power requirements shall be either 120V or 220-240V at 50/60Hz.

The system shall be the Bose® FreeSpace® 6 business music system.

System Configuration

Detailed installation and setup instructions for the FreeSpace 6 are provided in the *Bose® FreeSpace® 6 Business Music System Installer's Guide*.

Warranty Information

The Bose® FreeSpace® 6 business music system is covered by a 5-year, transferable limited warranty.