




Bose® PowerMatch® ESPLink Digital Input Card

-  **WARNING:** This product is intended for installation by professional installers only.
-  **CAUTION:** Make no modification to the system or accessories. Unauthorized alterations may compromise safety, regulatory compliance, and system performance.
-  **CAUTION:** Electro-Static Discharge (ESD) sensitive device. Handle with care.

Thank you for selecting Bose® PowerMatch® amplifiers for your sound reinforcement system. This document is intended to provide professional installers with basic installation and safety guidelines for installing the optional ESPLink Digital Input Card into a Bose PowerMatch amplifier. Please read this document before attempting installation.

To install the ESPLink card into a PowerMatch amplifier, follow these instructions:

1. Turn off and unplug the amplifier.
2. Detach the rear expansion slot cover plate by removing the 2 screws. (See Figure 1.)
3. Align the ESPLink card with the plastic card guides in the open slot; insert until the rear panel is flush with the rear of the amplifier. (See Figure 2.)
4. Screw the card into place.
5. Plug in the power cord and turn on the amplifier.
6. Using the front panel, navigate to the FIRMWARE VERSION screen (MAIN MENU<UTILITY<FIRMWARE VERSION).

Figure 1.

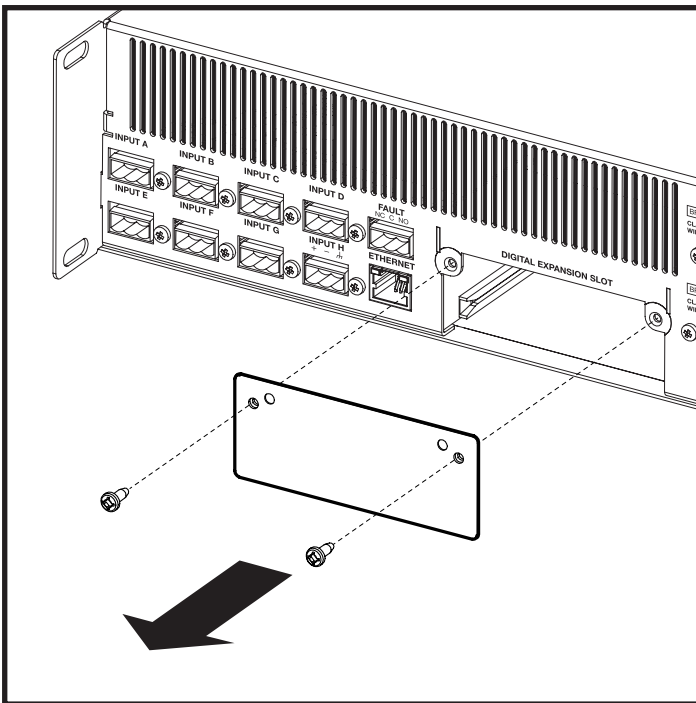
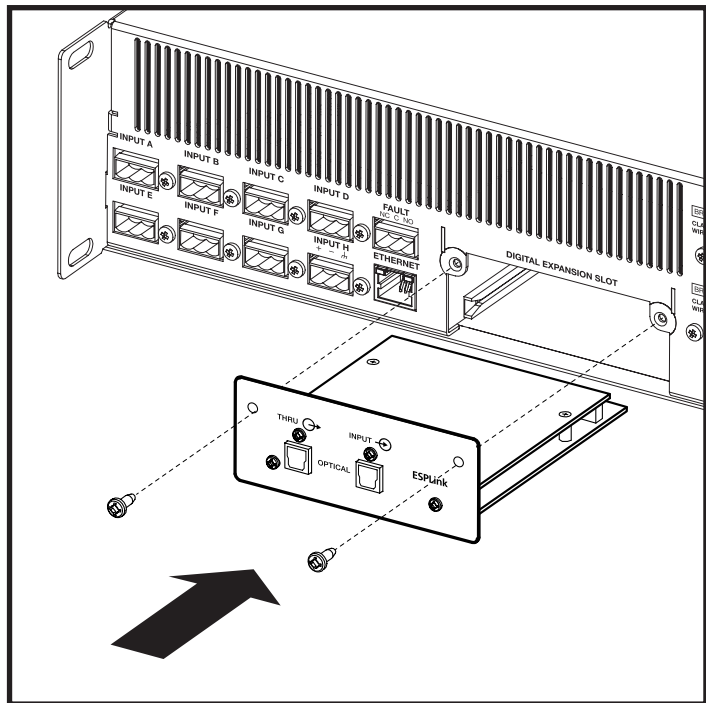


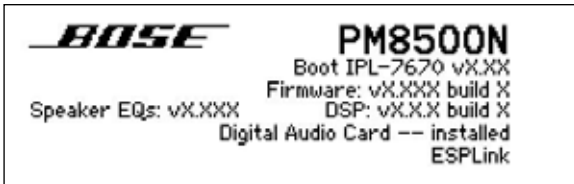
Figure 2.



Bose® PowerMatch® ESPLink Digital Input Card

7. Check the amplifier LCD screen to view whether the ESPLink card has been identified. (See Figure 3.)
8. If the card does not appear in the FIRMWARE VERSION screen, repeat steps 1-7. Be sure that the card is completely pushed into the slot, and that the card is properly aligned with the card guides.

Figure 3.



BOSE[®]
Better sound through research[®]

© 2013 Bose Corporation. All rights reserved.
The Mountain, Framingham, MA 01701-9168 USA
www.pro.Bose.com
All trademarks are the property of their respective owners.
AM346843 Rev. 01