

ShowMatch DeltaQ Array Loudspeaker

Array Frame Multipoint Bracket (SMAFMP)



Installation

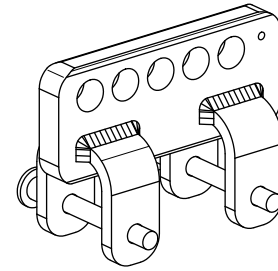
Thank you for selecting Bose Professional ShowMatch DeltaQ array loudspeakers. This document is intended to provide professional installers with basic installation and safety guidelines for using the Array Frame Multipoint Bracket (SMAFMP) with ShowMatch loudspeakers. Please read this document before attempting installation.

The ShowMatch Array Frame Multipoint Bracket (SMAFMP) increases the number of suspension points along the center rail of the ShowMatch Array Frame (SMAF) or T-Bar Array Frame (SMAFT) by a minimum of 7 to a maximum of 45 possible points.

Use Bose Professional Modeler software to determine the correct position and orientation of the multipoint bracket on the array frames for the required aiming angles and to confirm that the array does not exceed the load limits of the frame. Visit BoseProfessional.com to learn more about Modeler software.

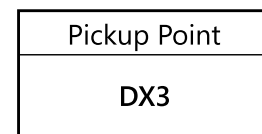
To install the array frame multipoint bracket, follow these instructions:

1. Use Bose Professional Modeler software to generate a ShowMatch Array Rigging Report. Visit BoseProfessional.com to learn more about Modeler software.
2. Obtain the pickup point from the ShowMatch Array Rigging Report. (See Fig. 1.)
Note the first letter in the pickup point (**A** through **F**). This letter indicates a suspension point on the center rail of the array frame. (See Fig. 2.)
Note the second letter in the pickup point (**X** or **Y**). This letter indicates the correct orientation of the multipoint bracket on the center rail. When oriented correctly, the arrow printed on the multipoint bracket points to the front of the array.
3. Place the multipoint bracket on the center rail in the orientation indicated by the software. (See Fig. 3.)
4. Align the front hole of the multipoint bracket with the suspension point specified in Step 2, and secure it using one of the tethered pins. (See Fig. 4.) Check to make sure the pin is fully inserted and secured.
5. Align the rear hole of the multipoint bracket with the adjacent suspension point, and secure it using the second tethered pin. Check to make sure the pin is fully inserted and secured.
6. Attach a graded $\frac{5}{8}$ -inch lifting shackle (ASME B30.26 or equivalent; not included) to the suspension point on the multipoint bracket as specified by Modeler. (See Fig. 5.) See **Working Load Limit** on the opposite side of this sheet.
7. Connect the chains to the shackle attached to the multipoint bracket.



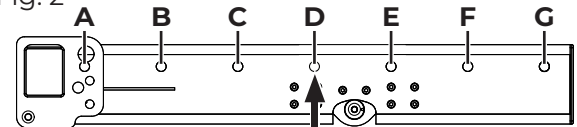
Array Frame Multipoint Bracket (SMAFMP)
(quick pin tether not shown)

Fig. 1



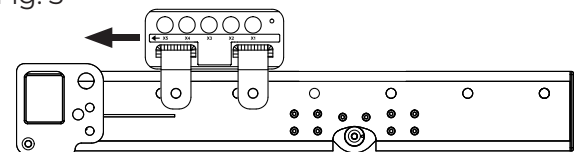
Pickup Point DX3

Fig. 2



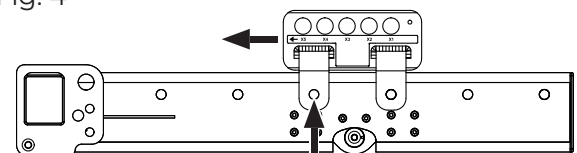
SMAFT, center rail, Suspension Point D

Fig. 3



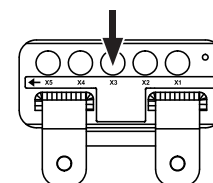
SMAFMP, Orientation X

Fig. 4



SMAFT, center rail, Suspension Point D
with SMAFMP, Orientation X

Fig. 5



SMAFMP, Suspension Point X3



ShowMatch DeltaQ Array Loudspeaker

Array Frame Multipoint Bracket (SMAFMP)

Important Safety Instructions

CAUTION: This product is intended for installation by professional installers only!

CAUTION: Make no modification to system or accessories. Unauthorized alterations may compromise safety, regulatory compliance, and system performance.

CAUTION: This accessory is for use with Bose Professional ShowMatch DeltaQ Array loudspeakers only.

Instrucciones importantes de seguridad

PRECAUCIÓN: Solo un instalador profesional deberá montar este producto!

PRECAUCIÓN: No realice alteraciones no autorizadas a este producto; esto podría comprometer la seguridad, el cumplimiento de las normas y el rendimiento del sistema.

PRECAUCIÓN: Este accesorio está diseñado para usarse únicamente con altavoces Bose Professional ShowMatch DeltaQ Array.

Instructions importantes relatives à la sécurité

ATTENTION : L'installation de ce produit est réservée à un technicien professionnel !

ATTENTION : Ne pas faire des modifications non autorisées à ce produit; ce qui pourrait compromettre la sécurité, la conformité réglementaire et la performance du système.

ATTENTION : Cet accessoire est destiné pour l'usage avec les haut-parleurs Bose Professional ShowMatch DeltaQ exclusivement.

Wichtige Sicherheitshinweise

ACHTUNG: Dieses Produkt darf nur von fachkundigen Monteuren installiert werden!

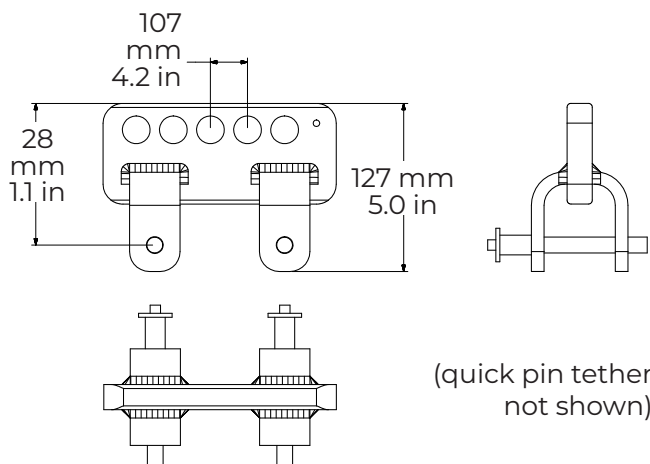
ACHTUNG: Keine nicht autorisierten Veränderungen am Produkt vornehmen. Diese können die Sicherheit, die Einhaltung von Richtlinien und die Systemleistung beeinträchtigen.

ACHTUNG: Dieses Zubehör ist ausschließlich zur Verwendung mit Bose Professional ShowMatch DeltaQ Array Lautsprechern vorgesehen.

Importer Information

EU Importer: Transom Post Netherlands B.V., Keizersgracht 391A, 1016 EJ, Amsterdam | **UK Importer:** Transom Post Netherlands UK, Squires House 205a High Street, West Wickham, BR4 0PH | **Japan Importer:** Transom Post International Japan KK Co., Ltd. PMO Tamachi IV Shiba5-29-19, Minato-ku, Tokyo | **Australia Importer:** Transom Post Australia Pty. Ltd., Level 14, 60 Margaret Street, Sydney, NSW 2000 | **China Importer:** Transom Post (Shanghai) Audio Co. Ltd Room 2209, Building 1, 175 Longyao Road, Xuhui District, Shanghai | **Mexico Importer:** POST INTL MEXICO, S. DE R.L. DE C.V. Insurgentes Sur No. 1079, 1st floor, Colonia Noche Buena, Benito Juárez, C.P. 03270, Mexico City | **UAE Importer:** 102 A, Sama Tower Sheikh Zayed Road, Dubai UAE

Product Dimensions

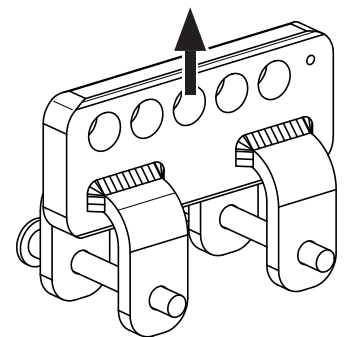


Working Load Limit

Single-point, 10:1 working load limit (in accordance with ANSI E1.8-2012)

WLL: 815 kg (1800 lb)

IMPORTANT: Use a graded 5/8-inch lifting shackle (ASME B30.26 or equivalent; not included).



Bose is a trademark of Bose Corporation.

ShowMatch, DeltaQ, and Modeler are trademarks of Transom Post OpCo LLC.

Bose Professional, 117 South St, Hopkinton, MA 01748 USA

©2024 Transom Post OpCo LLC. No part of this work may be reproduced, modified, distributed or otherwise used without prior written permission.

©2024 Transom Post OpCo LLC. All rights reserved.
BoseProfessional.com
AM781488 Rev. 04
February 2024



781488-0040