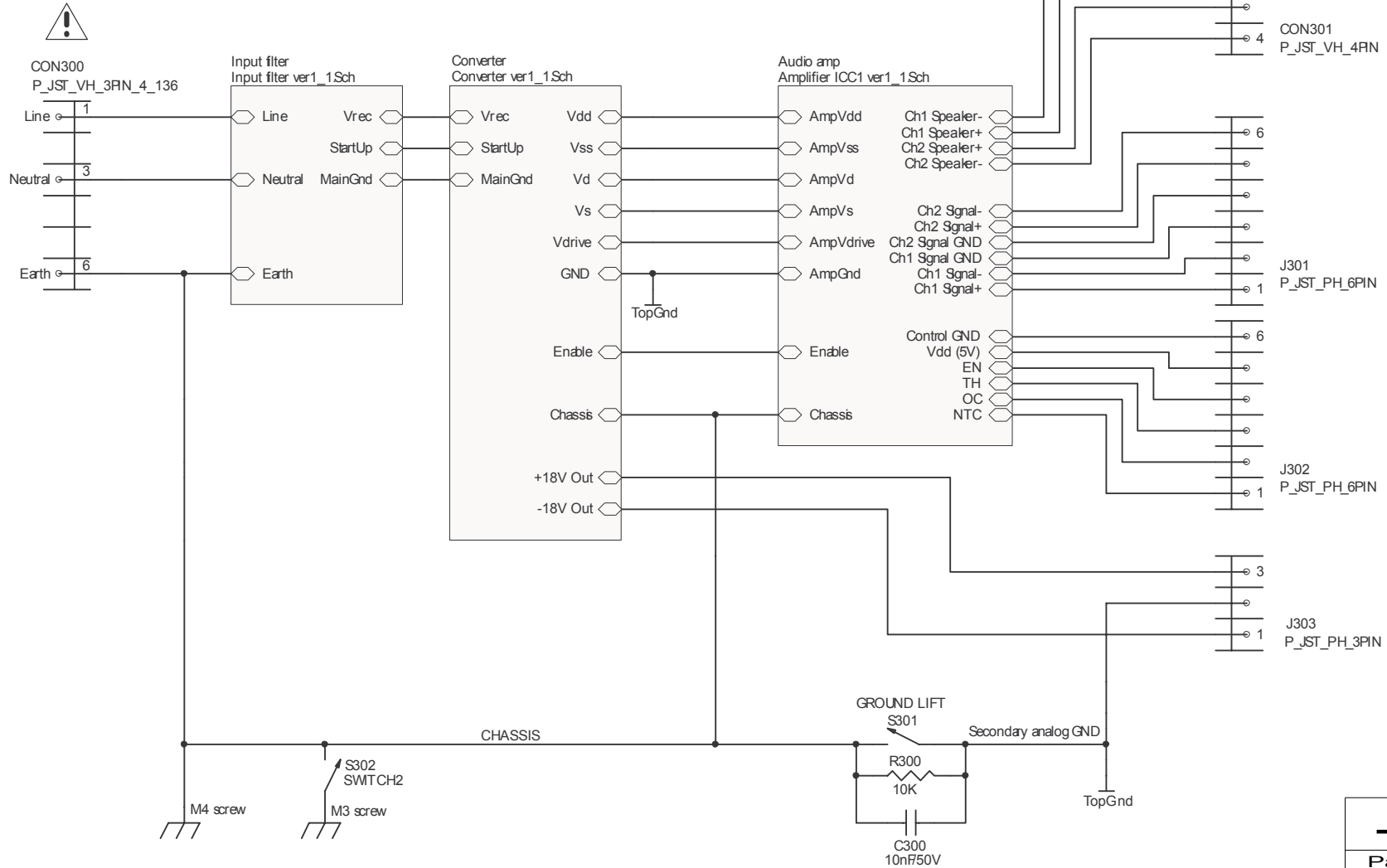
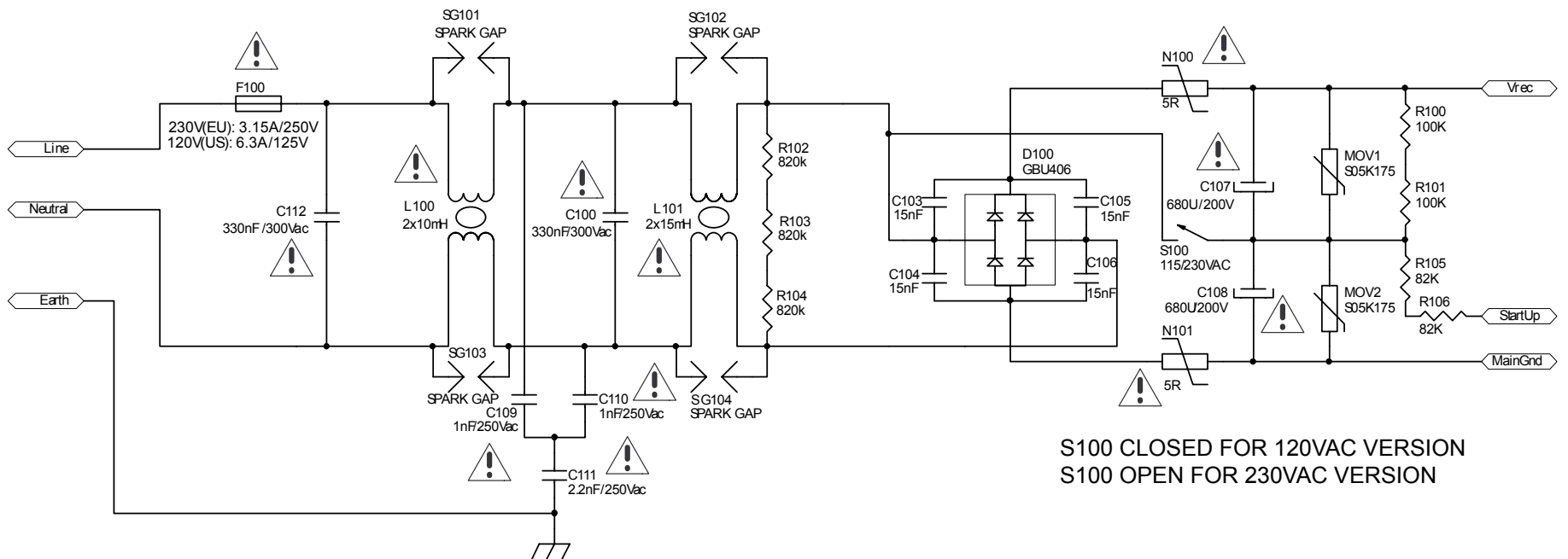


Block Diagram



FRAMINGHAM, MA 01701-9168
PackLite™ A1 Amplifier
Block Diagram
 Revision E
 120V non-RoHS Units
 Sheet 1 of 1

Power Input Filter Section

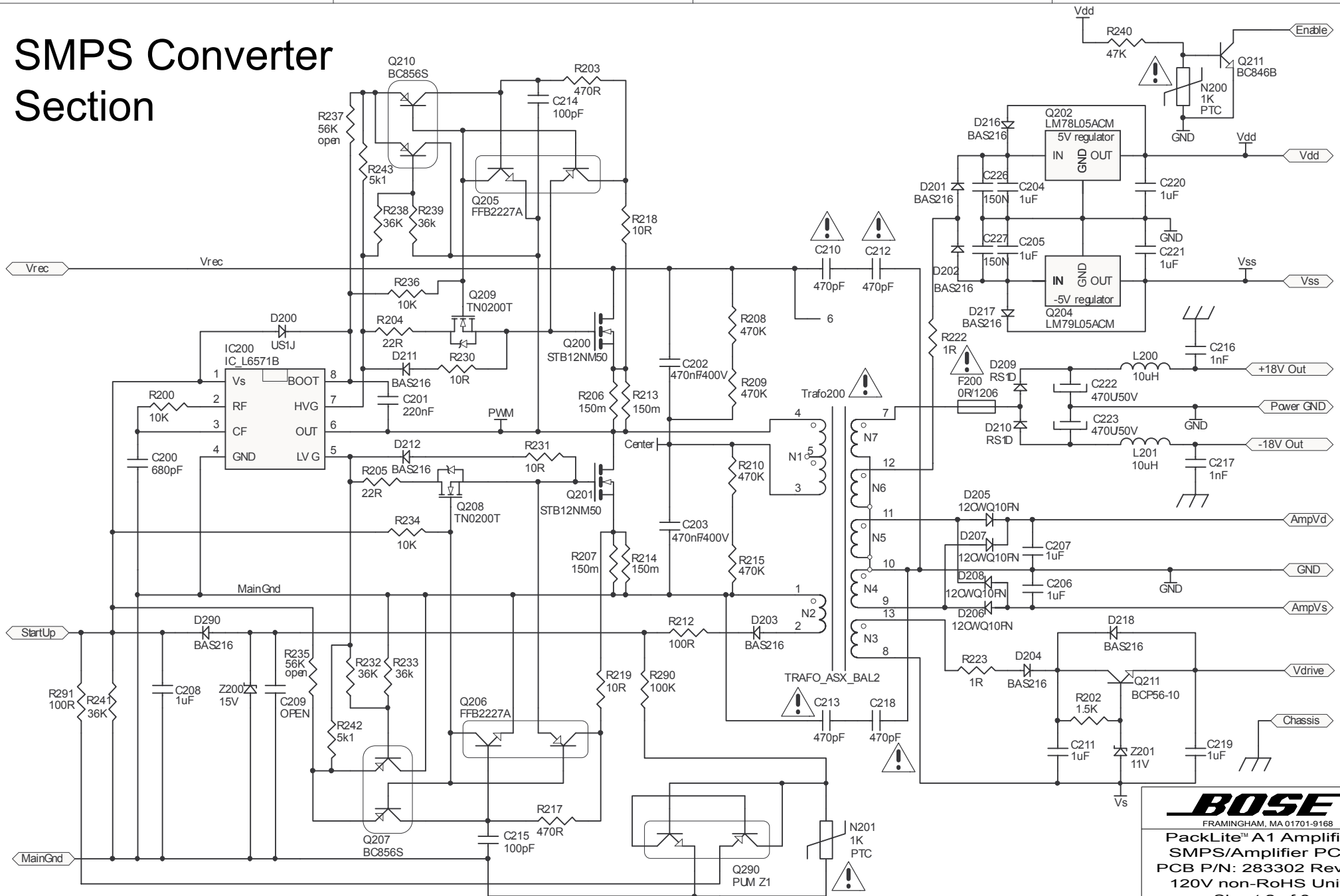


S100 CLOSED FOR 120VAC VERSION
S100 OPEN FOR 230VAC VERSION

BOSE[®]
FRAMINGHAM, MA 01701-9168

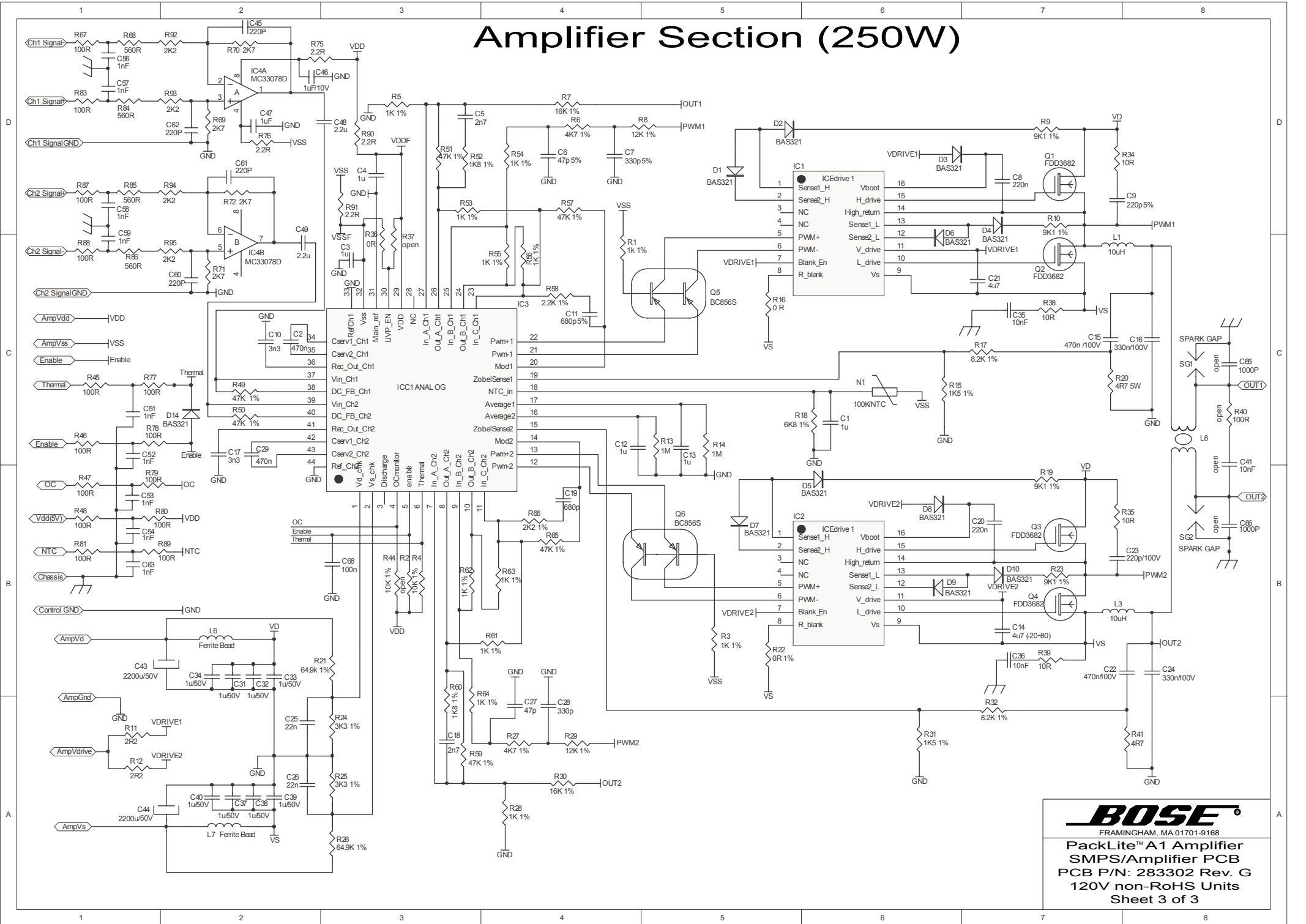
PackLite™ A1 Amplifier
SMPS/Amplifier PCB
PCB P/N: 283302 Rev. G
120V non-RoHS Units
Sheet 1 of 3

SMPS Converter Section

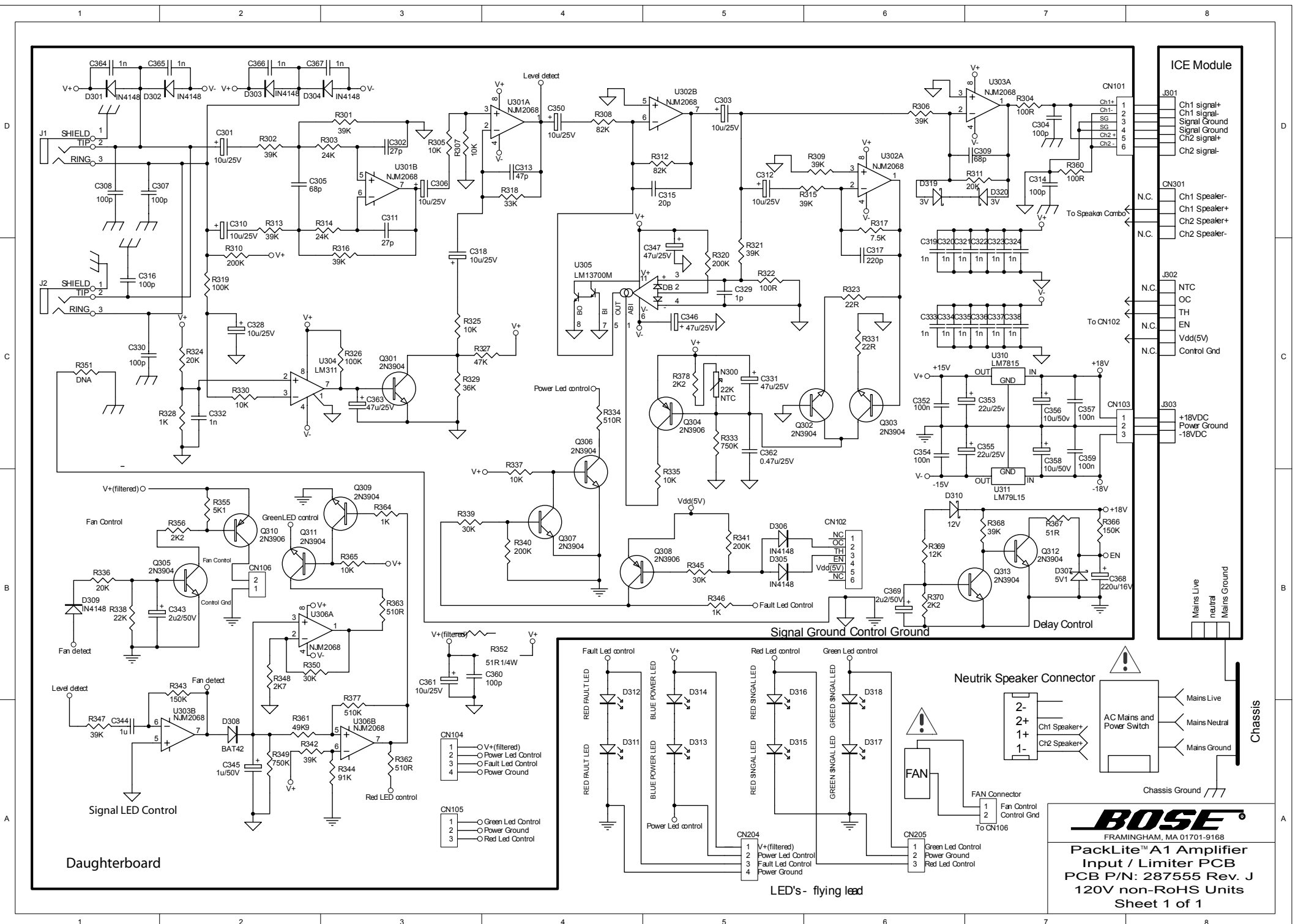


BOSE
 FRAMINGHAM, MA 01701-9168
 PackLite™ A1 Amplifier
 SMPS/Amplifier PCB
 PCB P/N: 283302 Rev. G
 120V non-RoHS Units
 Sheet 2 of 3

Amplifier Section (250W)



BOSE
 FRAMINGHAM, MA 01701-9168
PackLite™ A1 Amplifier
SMPS/Amplifier PCB
PCB P/N: 283302 Rev. G
120V non-RoHS Units
Sheet 3 of 3



ICE Module

- J301 Ch1 signal+
- J301 Ch1 signal-
- J301 Signal Ground
- J301 Ch2 signal+
- J301 Ch2 signal-
- CN301 Ch1 Speaker+
- CN301 Ch1 Speaker-
- CN301 Ch2 Speaker+
- CN301 Ch2 Speaker-
- J302 NTC
- J302 OC
- J302 TH
- J302 EN
- J302 Vdd(5V)
- J302 Control Gnd

- J303 +18VDC
- J303 Power Ground
- J303 -18VDC

- J304 Mains Live
- J304 neutral
- J304 Mains Ground

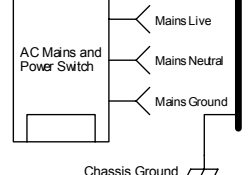
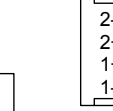
BOSE
 FRAMINGHAM, MA 01701-9168
PackLite™ A1 Amplifier
Input / Limiter PCB
PCB P/N: 287555 Rev. J
120V non-RoHS Units
Sheet 1 of 1

Daughterboard

Signal Ground Control Ground

LED's - flying lead

Neutrik Speaker Connector

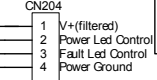


Chassis

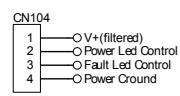
Chassis Ground



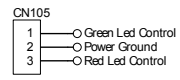
FAN Connector
1 Fan Control
2 Control Gnd
To CN106



1 V+(filtered)
2 Power Led Control
3 Fault Led Control
4 Power Ground

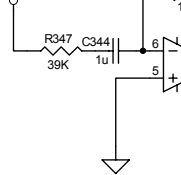


CN104
1 V+(filtered)
2 Power Led Control
3 Fault Led Control
4 Power Ground



CN105
1 Green Led Control
2 Power Ground
3 Red Led Control

Signal LED Control

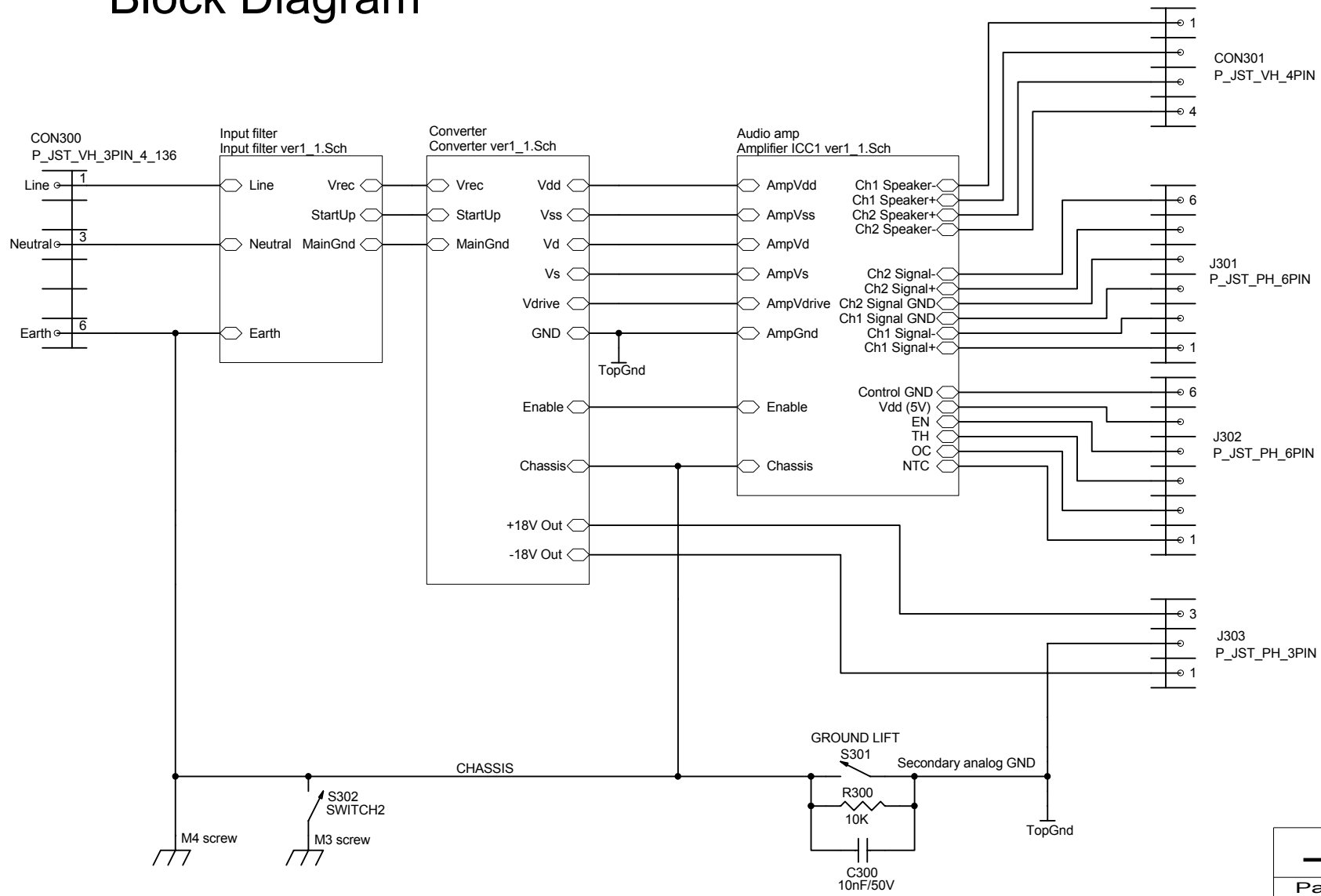


1 V+(filtered)
2 Power Led Control
3 Fault Led Control
4 Power Ground

1 Green Led Control
2 Power Ground
3 Red Led Control

1 V+(filtered)
2 Power Led Control
3 Fault Led Control
4 Power Ground

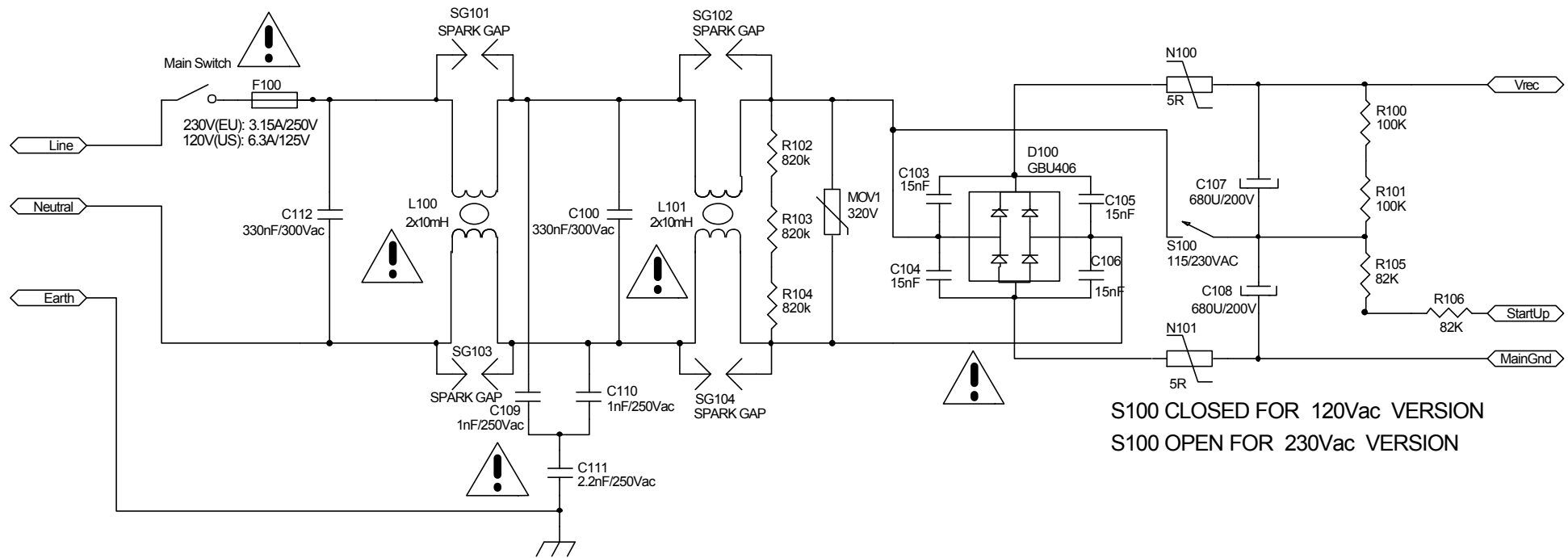
Block Diagram



BOSE
FRAMINGHAM, MA 01701-9168

PackLite™ A1 Amplifier
Block Diagram
Revision E
120/220-240V RoHS Units
Sheet 1 of 1

Power Input filter section

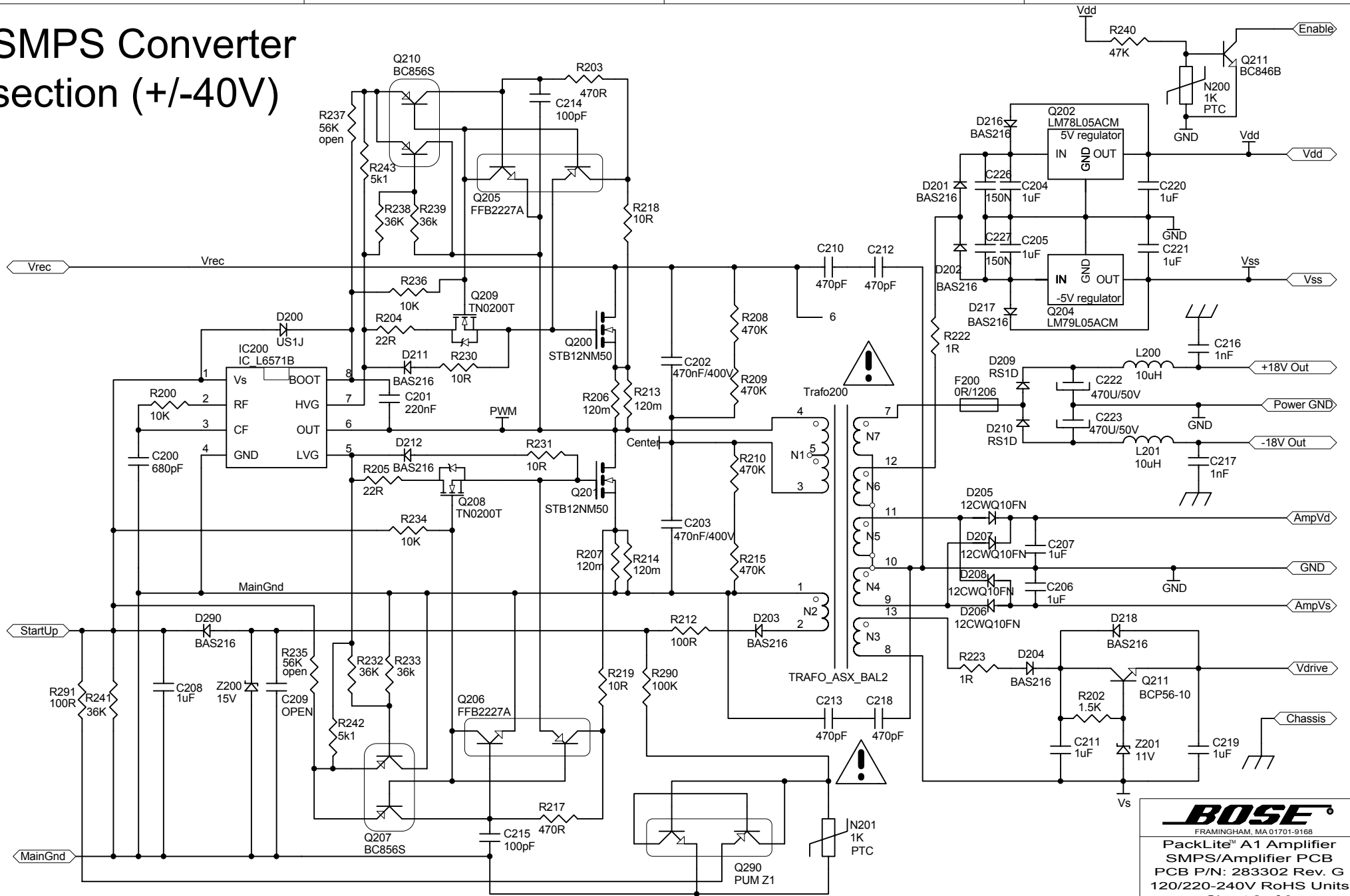


S100 CLOSED FOR 120Vac VERSION
 S100 OPEN FOR 230Vac VERSION



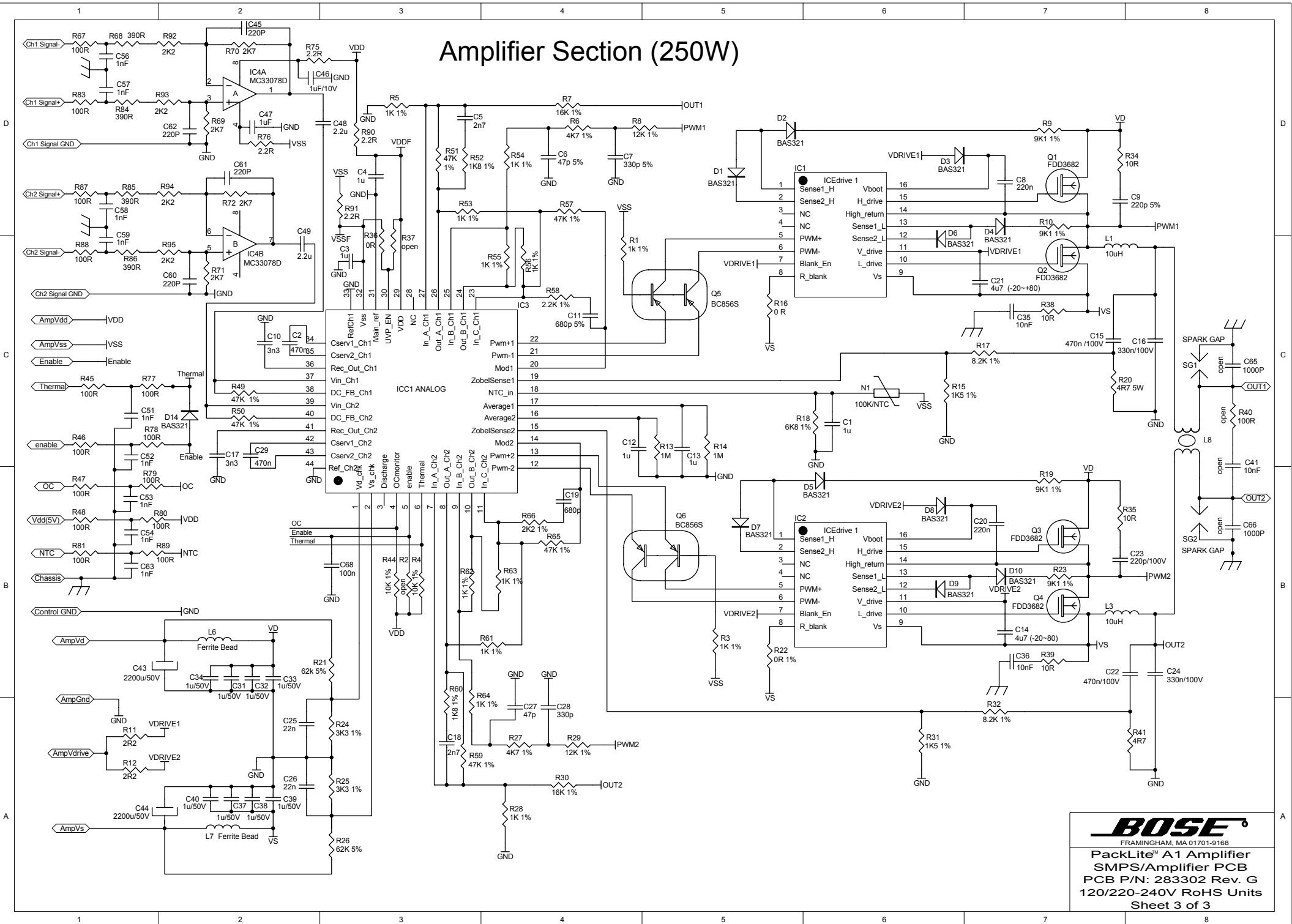
PackLite™ A1 Amplifier
SMPS/Amplifier PCB
 PCB P/N: 283302 Rev. G
 120/220-240V RoHS Units
 Sheet 1 of 3

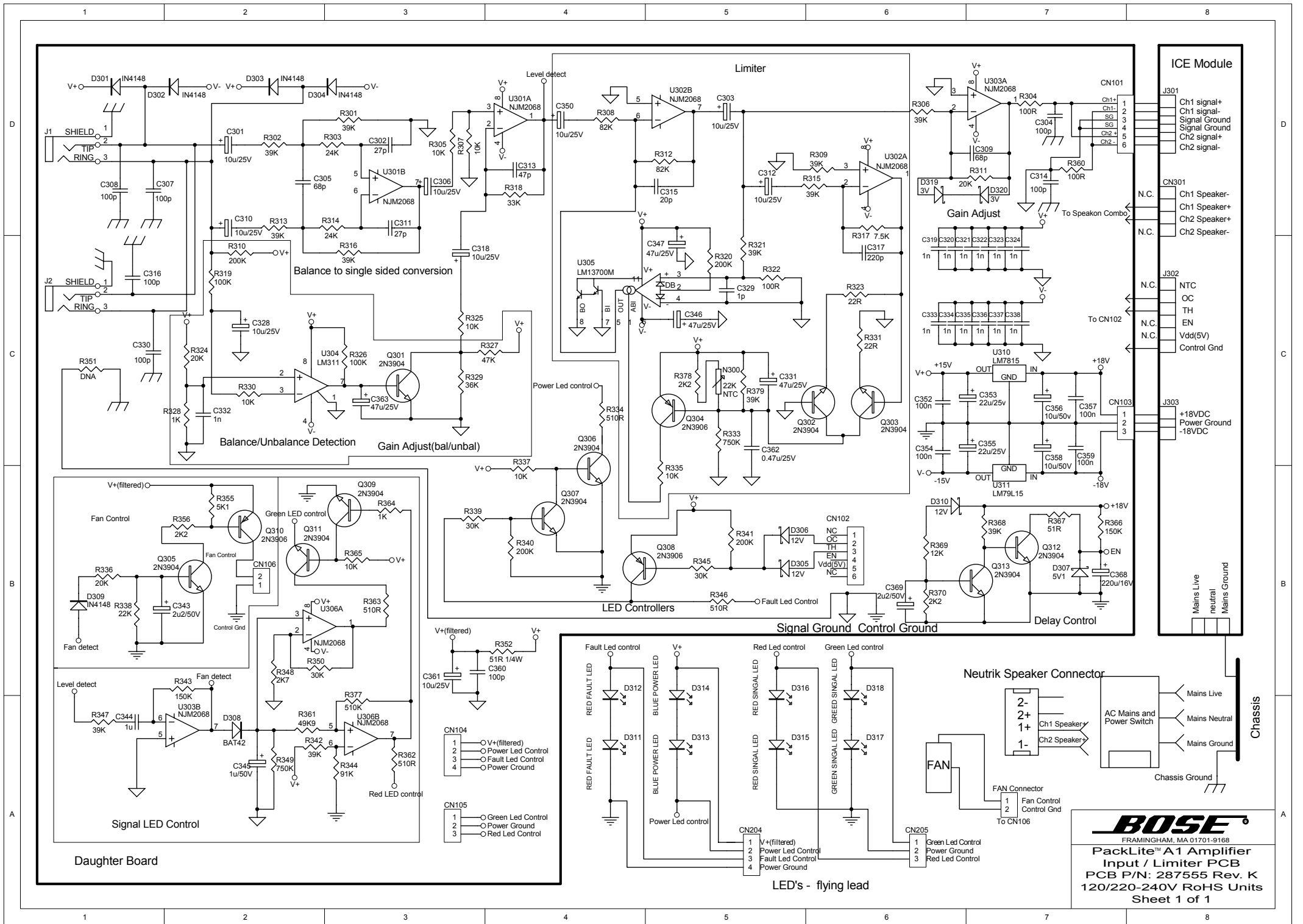
SMPS Converter section (+/-40V)



BOSE
FRAMINGHAM, MA 01701-9168
PackLite™ A1 Amplifier
SMPS/Amplifier PCB
PCB P/N: 283302 Rev. G
120/220-240V RoHS Units
Sheet 2 of 3

Amplifier Section (250W)





BOSE
 FRAMINGHAM, MA 01701-9168
PackLite™ A1 Amplifier
 Input / Limiter PCB
 PCB P/N: 287555 Rev. K
 120/220-240V RoHS Units
 Sheet 1 of 1