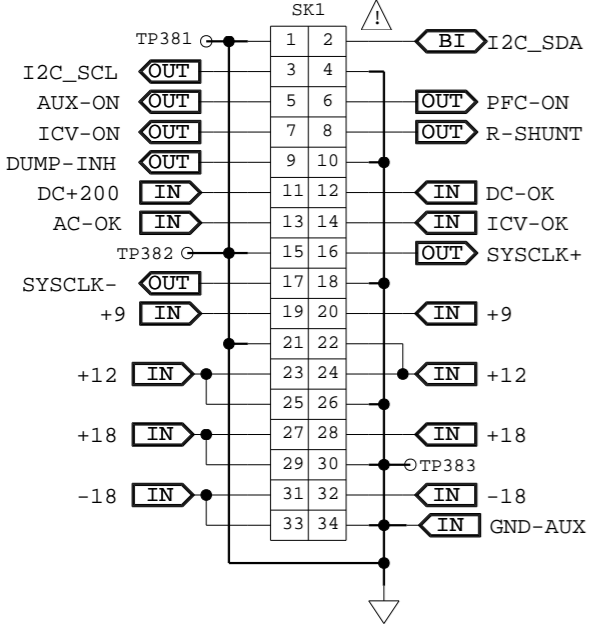
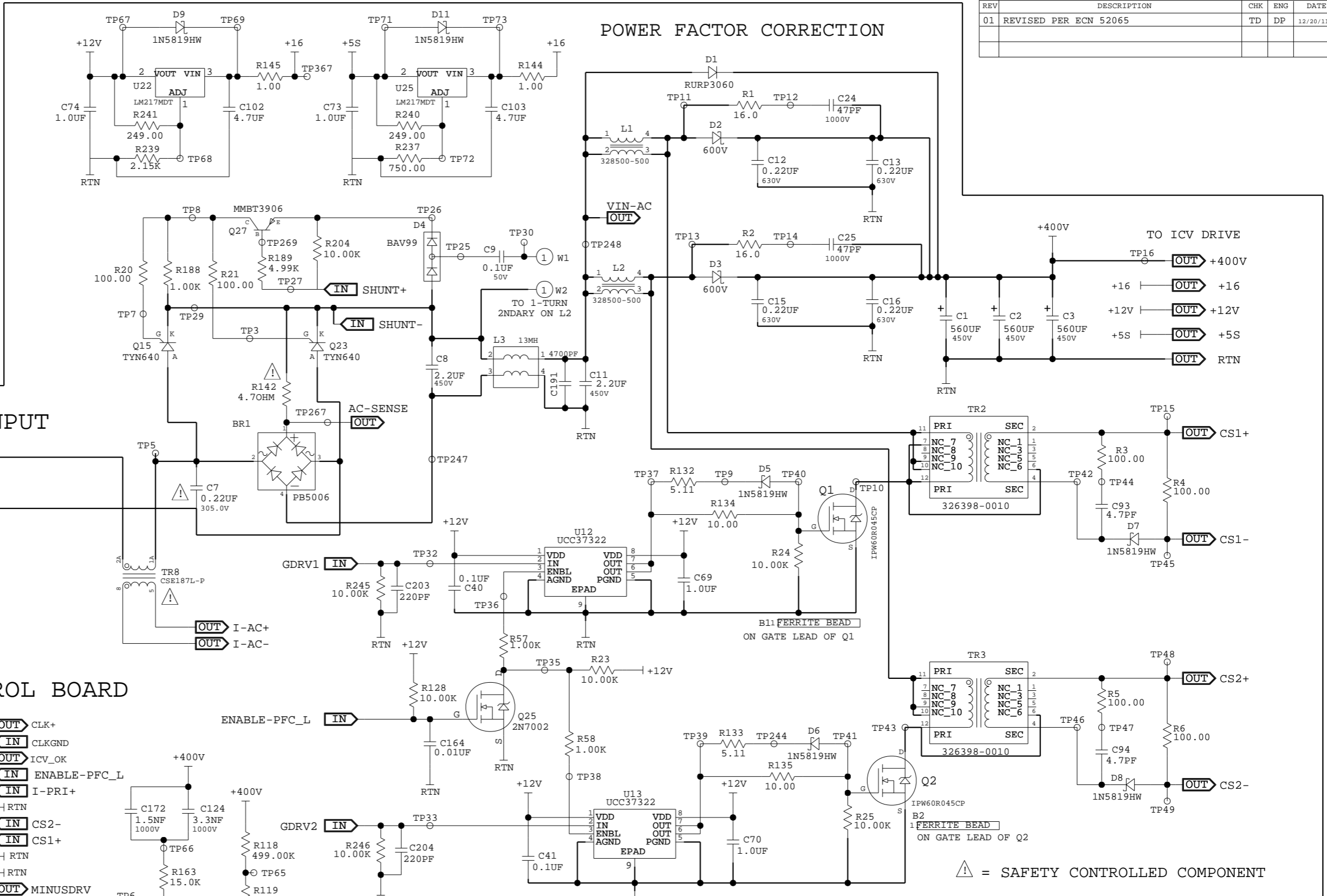


CLASS	DWG NO.	SH	1	
SD	326442			
REVISIONS				
REV	DESCRIPTION	CHK	ENG	DATE
01	REVISED PER ECN 52065	TD	DP	12/20/11

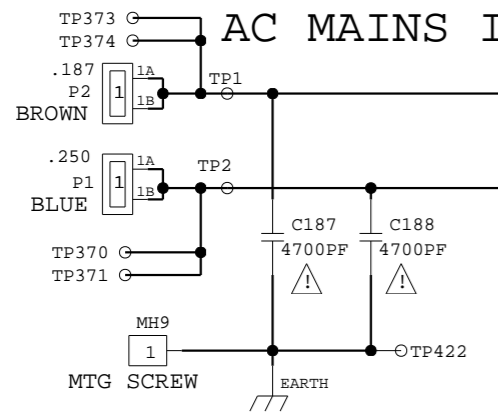
FFC CONNECTOR TO DIGITAL BOARD



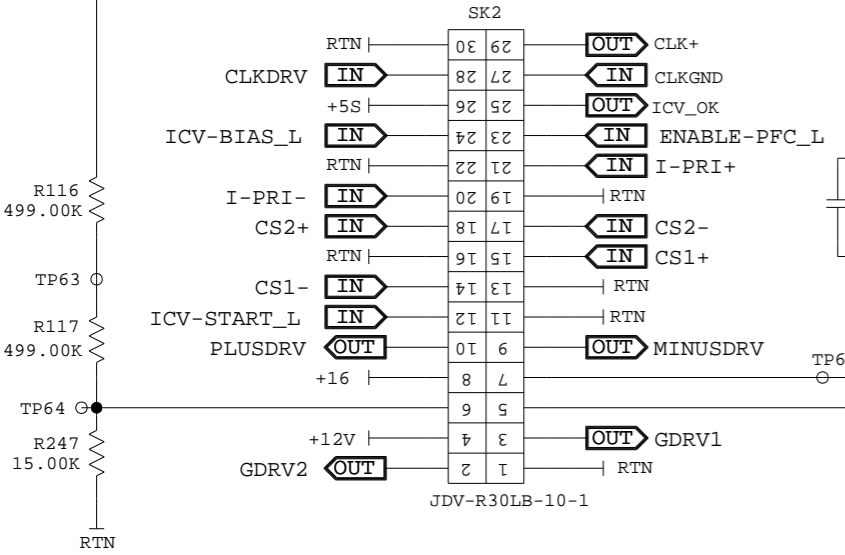
POWER FACTOR CORRECTION



AC MAINS INPUT

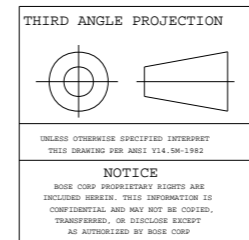


TO CONTROL BOARD



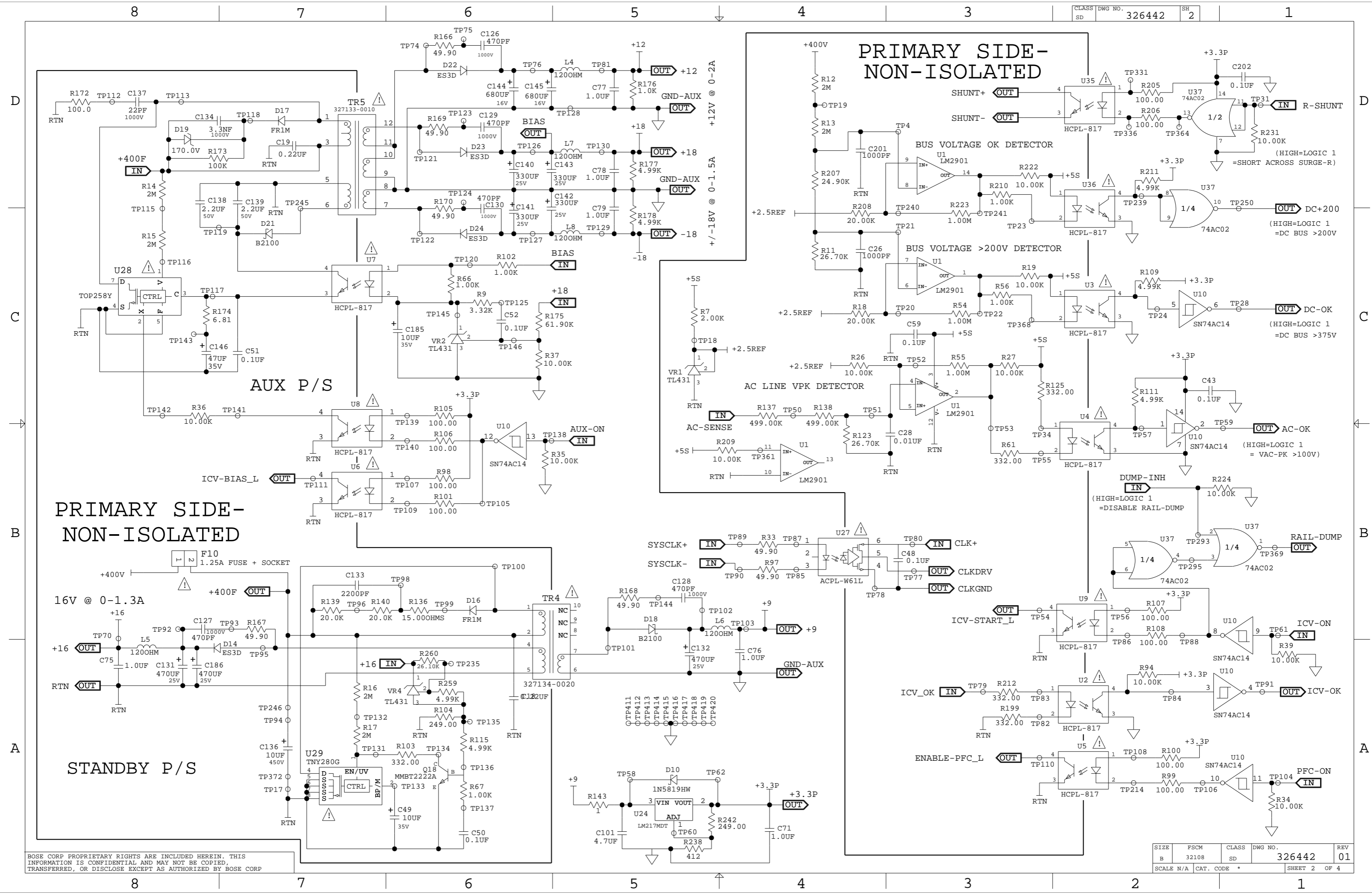
PRIMARY SIDE - NON-ISOLATED

⚠ = SAFETY CONTROLLED COMPONENT

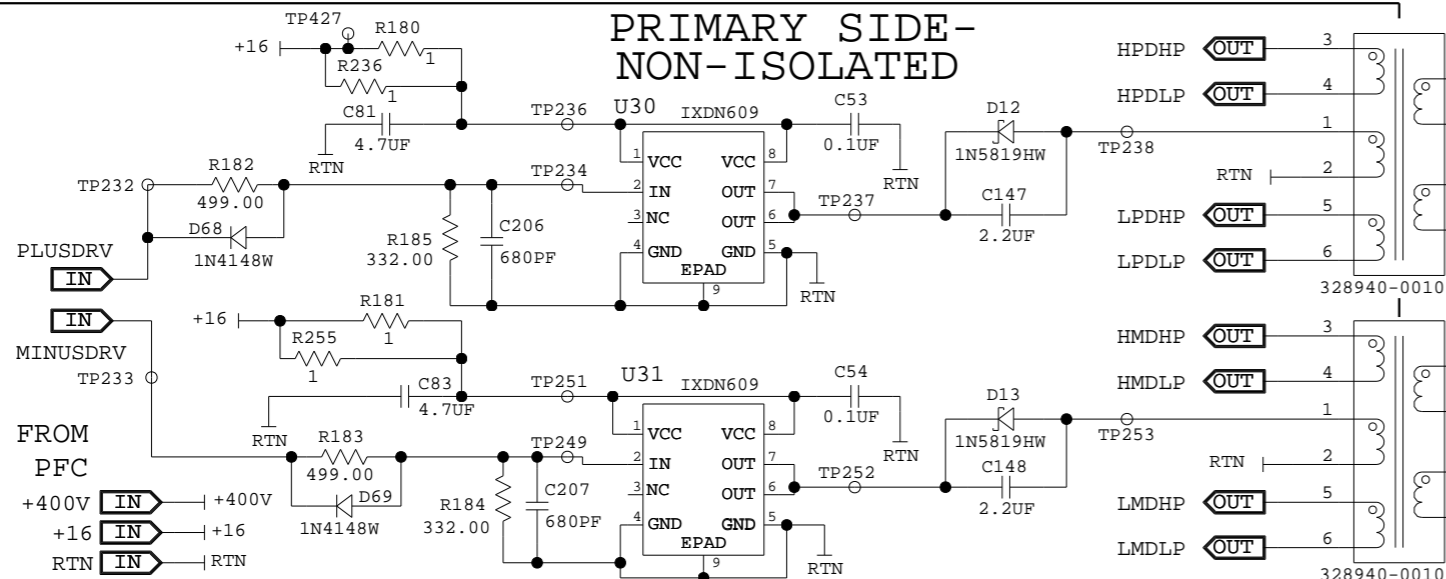


LEVEL	3
DATE	12/22/09
DATE	03/07/11
DATE	12-20-11
DATE	03/07/11
DATE	XX/XX/XX

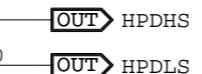
SAFETY CONTROLLED			
BOSE			
FRAMINGHAM, MA 01701-9168			
DESCRIPTION			
PC BOARD, PM8500 POWER SUPPLY, MAIN			
SIZE	FSCM	CLASS	DWG NO.
B	32108	SD	326442
REV			01
SCALE N/A		CAT. CODE *	SHEET 1 OF 4



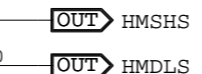
PRIMARY SIDE- NON-ISOLATED



PLUS DRIVE



MINUS DRIVE

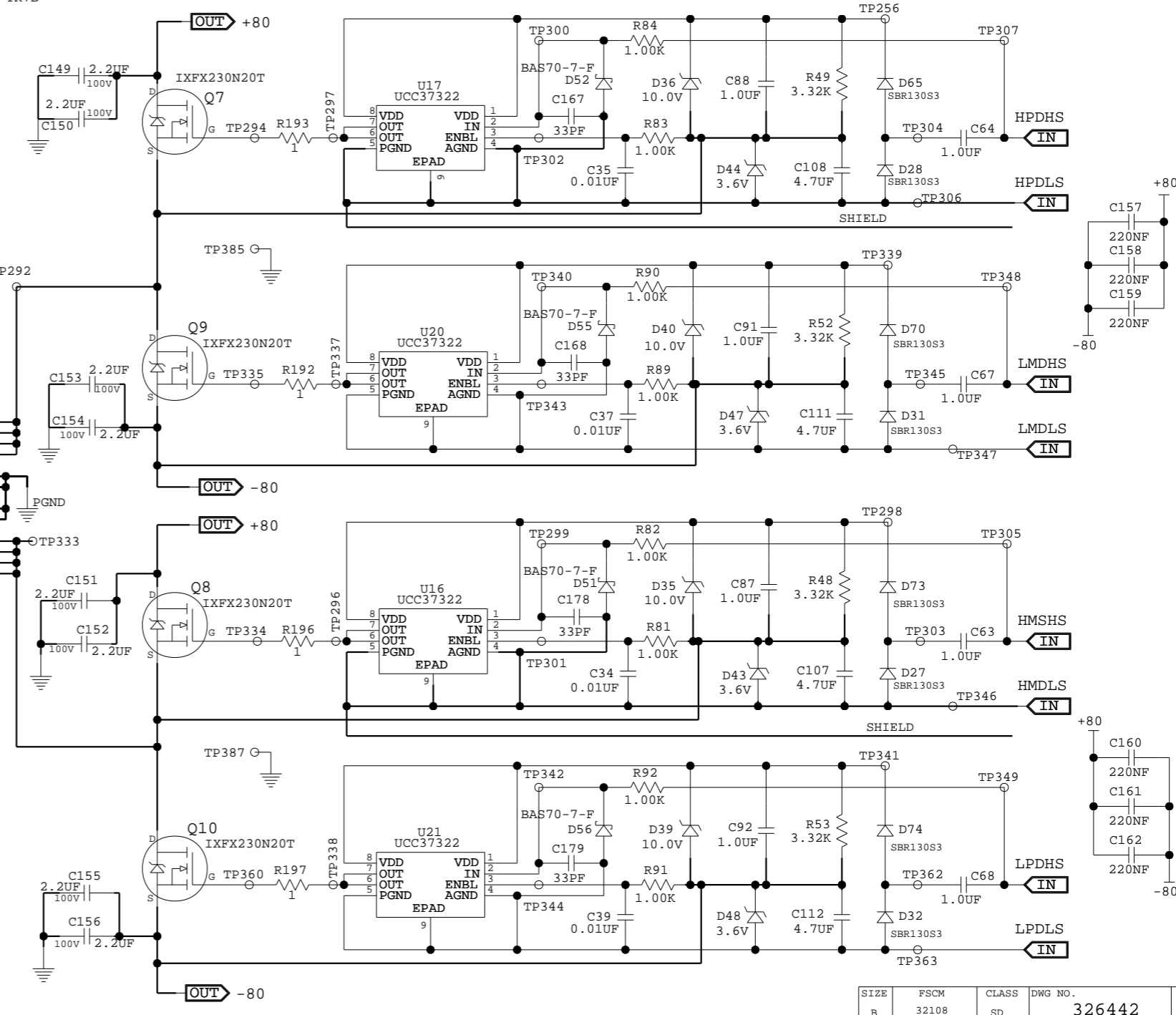
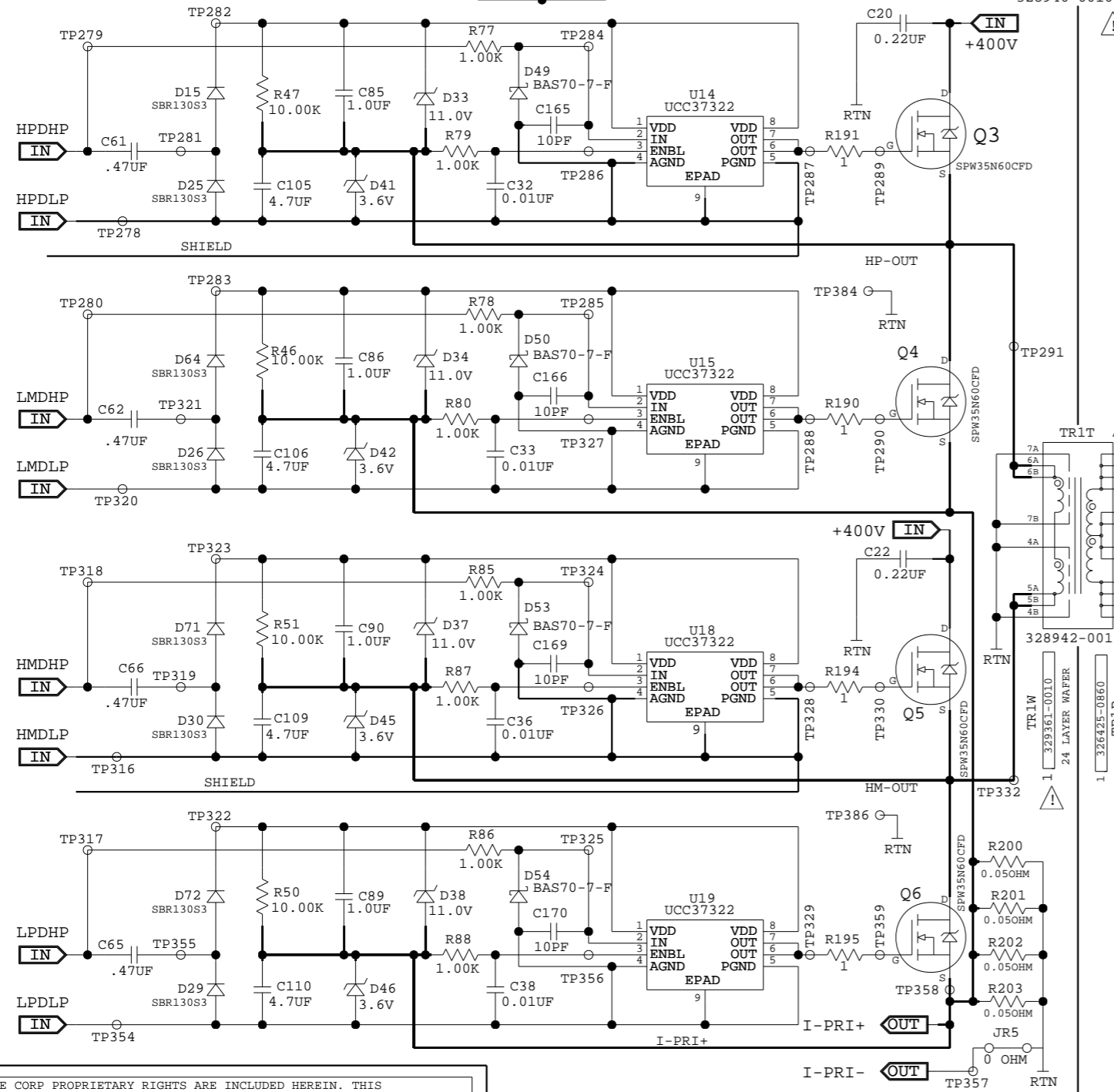


FERRITE BEADS

ON GATE LEAD OF ICF FETS

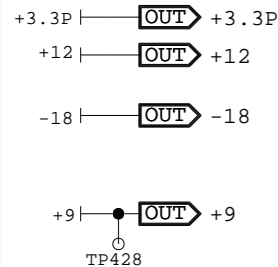
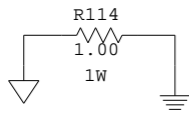
B3	B7
1 FERRITE BEAD	1 FERRITE BEAD
B4	B8
1 FERRITE BEAD	1 FERRITE BEAD
B5	B9
1 FERRITE BEAD	1 FERRITE BEAD
B6	B10
1 FERRITE BEAD	1 FERRITE BEAD
PRIMARY	SECONDARY

ISOLATION CONVERTER

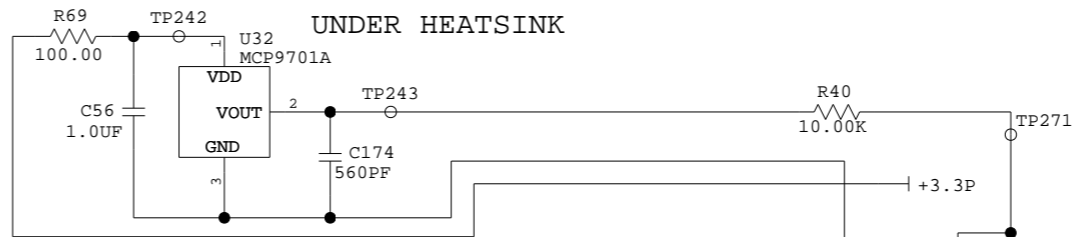


BOSE CORP PROPRIETARY RIGHTS ARE INCLUDED HEREIN. THIS INFORMATION IS CONFIDENTIAL AND MAY NOT BE COPIED, TRANSFERRED, OR DISCLOSE EXCEPT AS AUTHORIZED BY BOSE CORP

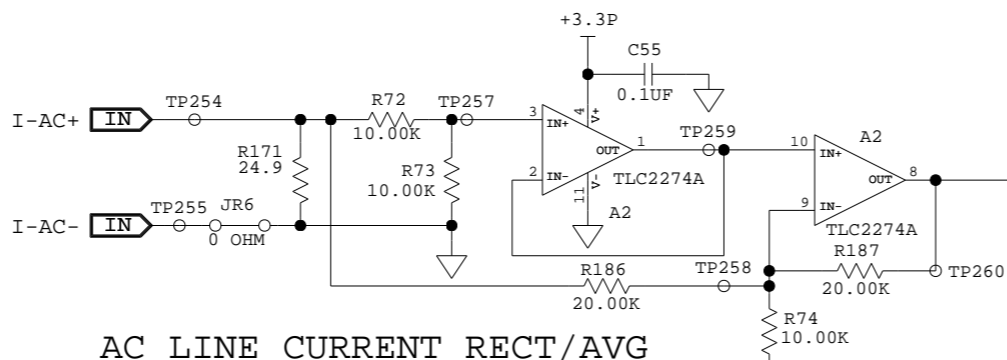
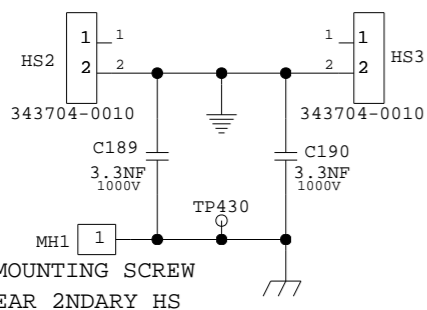
SIZE B	FSCM 32108	CLASS SD	DWG NO. 326442	REV 01
SCALE N/A	CAT. CODE *	SHEET 3 OF 4		



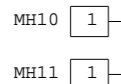
LINEAR TEMPERATURE SENSOR
UNDER HEATSINK



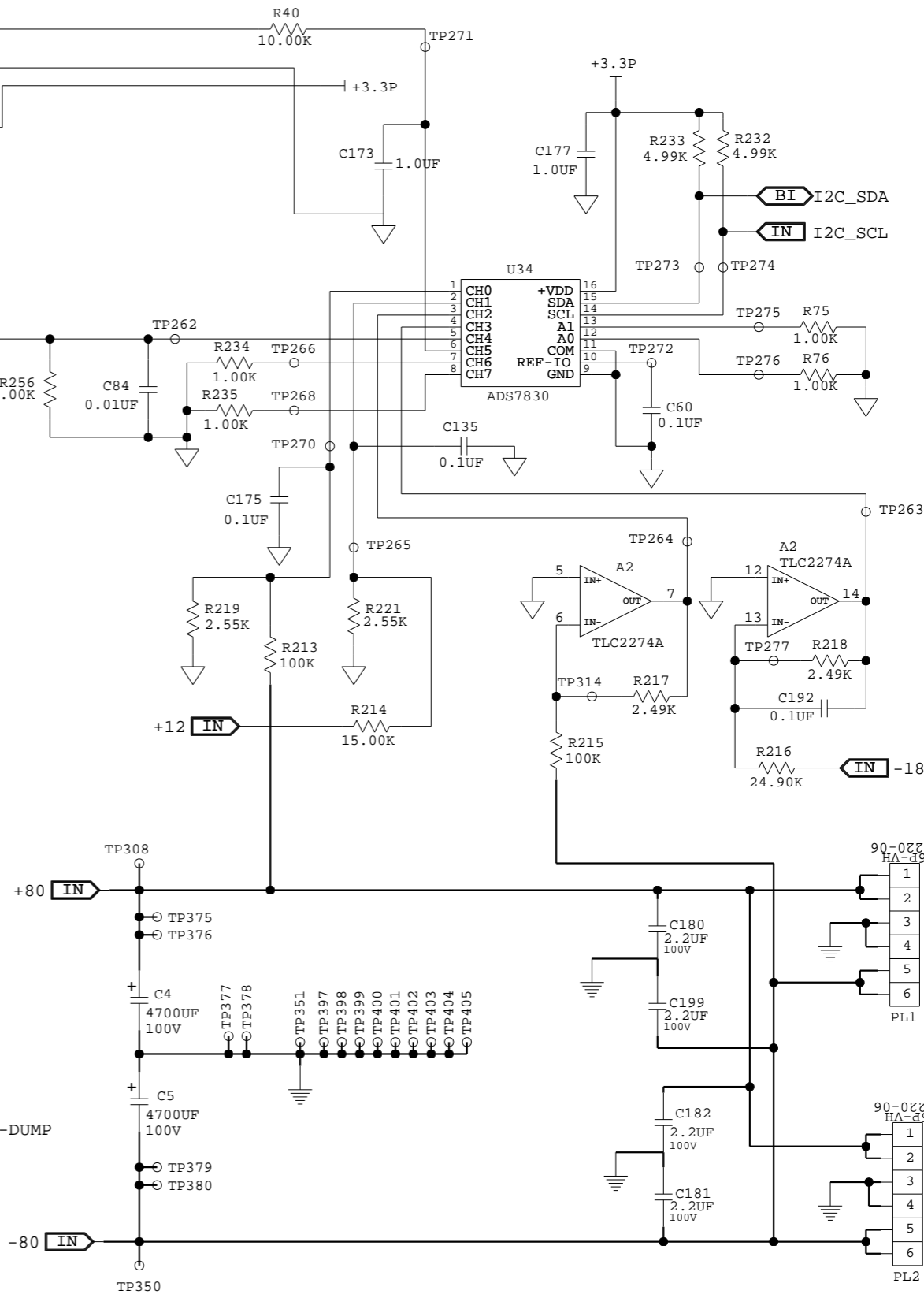
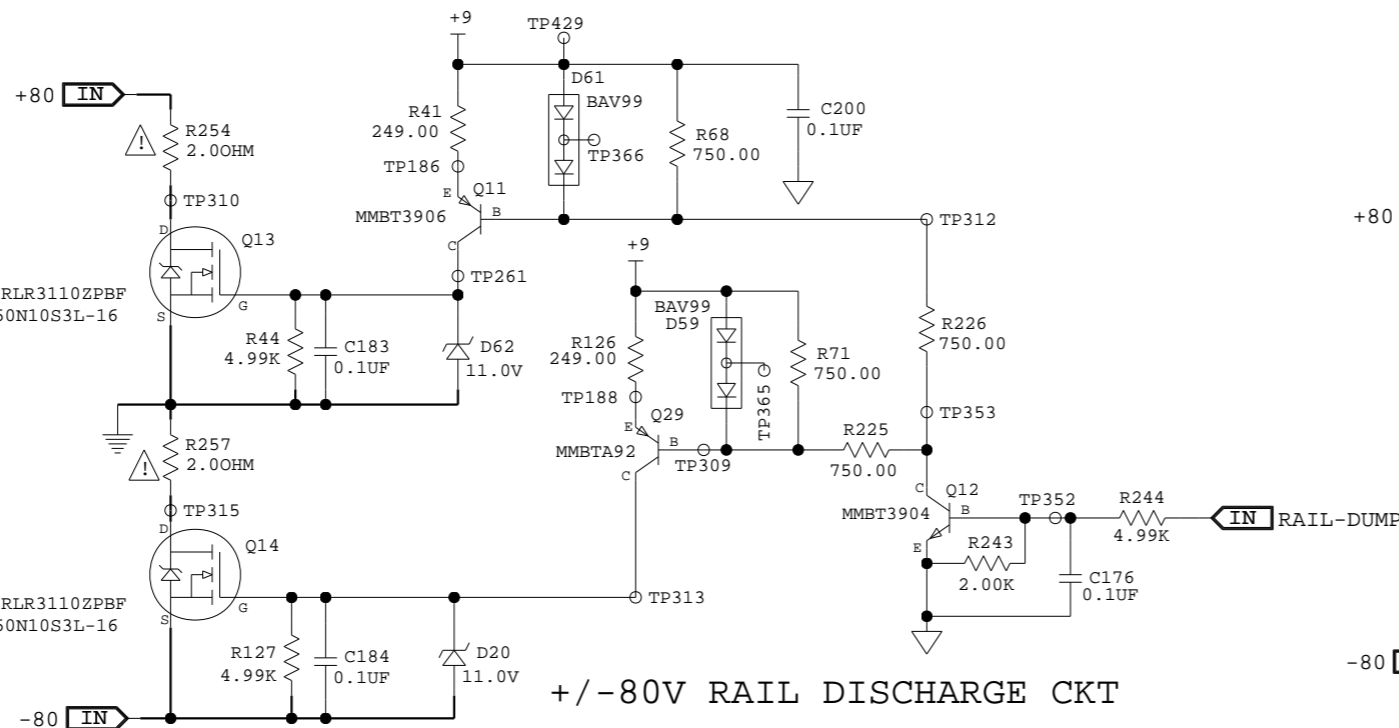
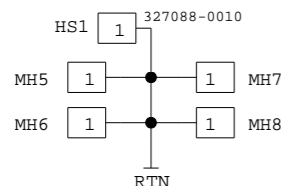
SECONDARY HEATSINKS
WITH MOUNTING STUDS



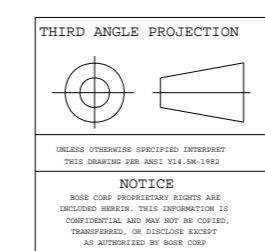
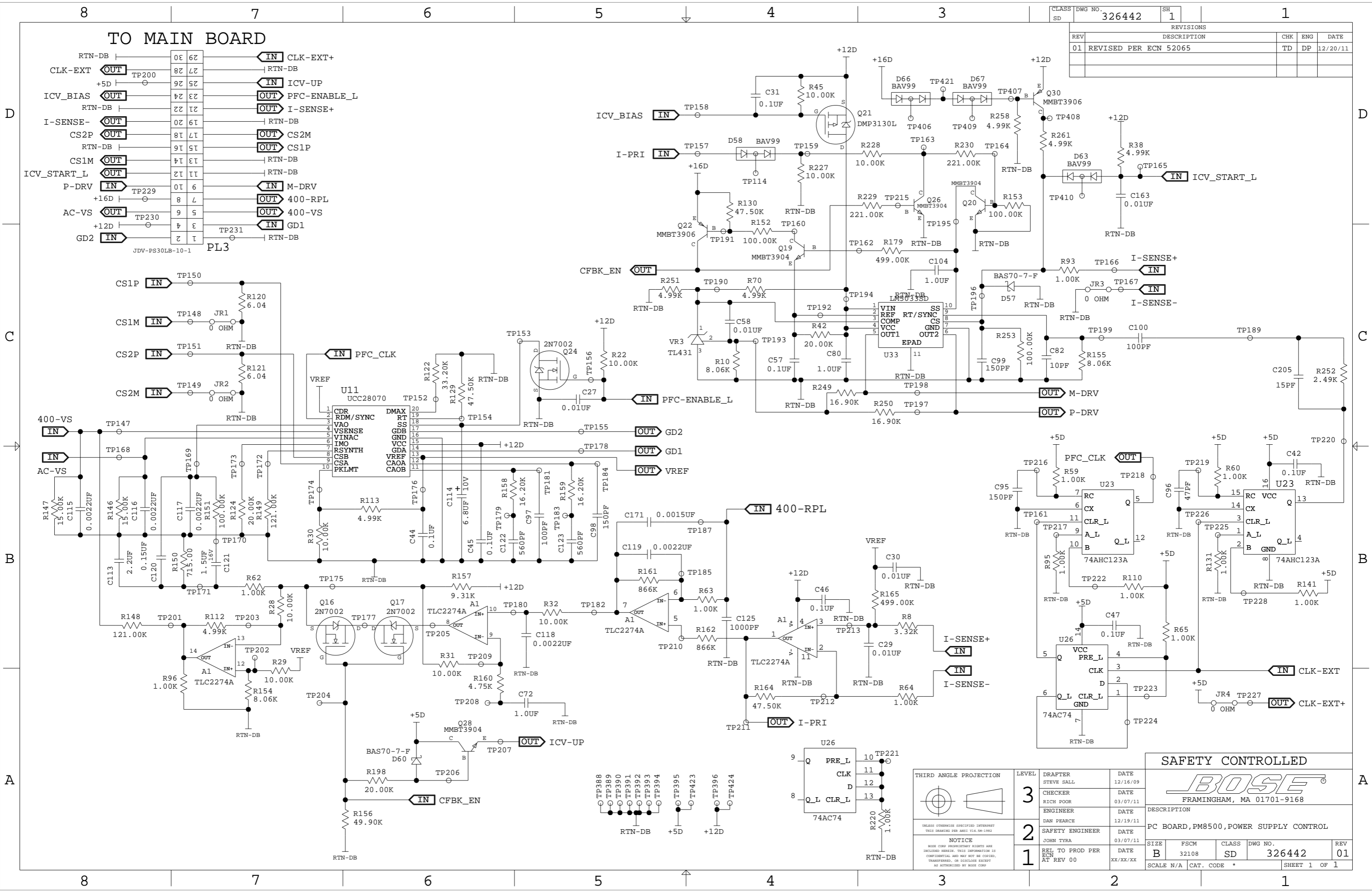
PCB MOUNTING BRACKET
SCREWS NEAR TR1



MAIN HEATSINK & MOUNTING SCREWS



CLASS	DWG NO.	SH	1	
SD	326442			
REVISIONS				
REV	DESCRIPTION	CHK	ENG	DATE
01	REVISED PER ECN 52065	TD	DP	12/20/11



LEVEL	DRAFTER	DATE
3	STEVE SALL	12/16/09
	CHECKER	DATE
	RICH POOR	03/07/11
	ENGINEER	DATE
	DAN PEARCE	12/19/11
	SAFETY ENGINEER	DATE
	JOHN TYRA	03/07/11
	REL TO PROD PER ECN	DATE
	AT REV 00	XX/XX/XX

SAFETY CONTROLLED				
BOSE FRAMINGHAM, MA 01701-9168				
DESCRIPTION				
PC BOARD, PM8500, POWER SUPPLY CONTROL				
SIZE	FSCM	CLASS	DWG NO.	REV
B	32108	SD	326442	01
SCALE N/A		CAT. CODE *		SHEET 1 OF 1