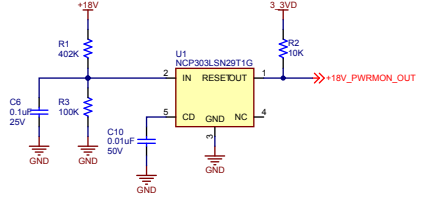
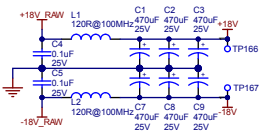
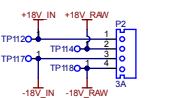
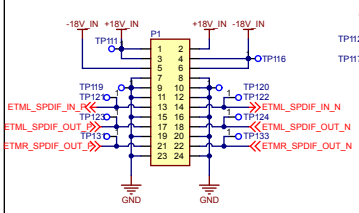


DAUGHTERBOARD PWR/SPDIF INTERFACE

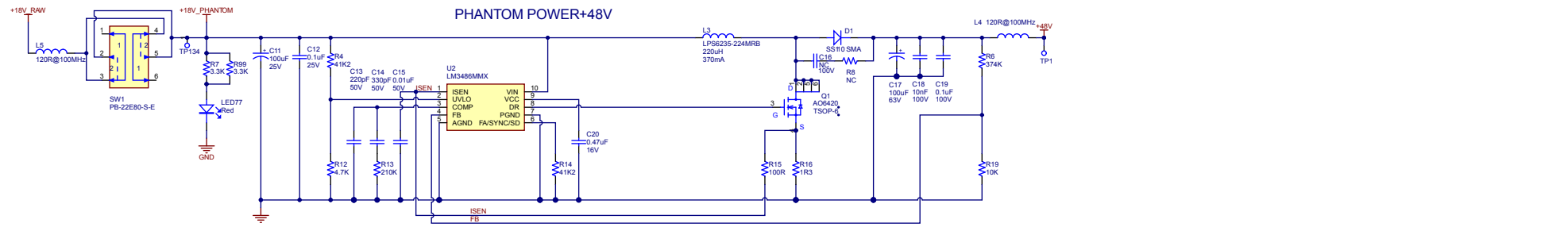
TO POWERSWITCH

INCOMING +18V VOLTAGE

INCOMING +18V VOLTAGE MONITOR

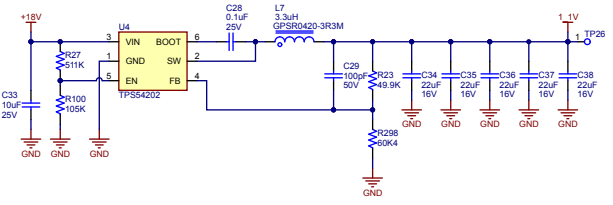
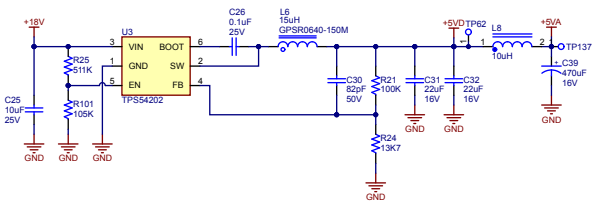


PHANTOM POWER+48V



+5VD, 2A SWITCHING REGULATOR

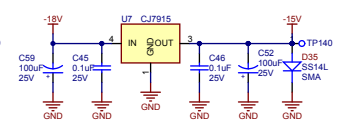
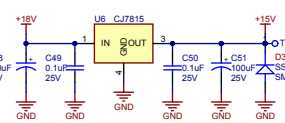
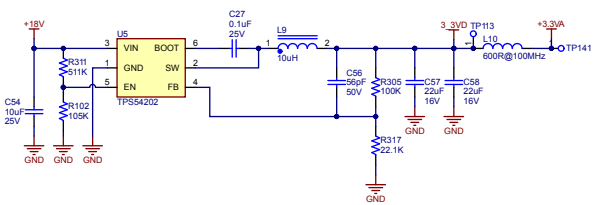
+1.1V, 2A SWITCHING REGULATOR



+3.3VD, 2A SWITCHING REGULATOR

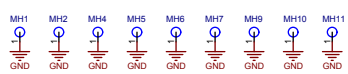
+15V, 1.5A LDO FORANALOG I/O

-15V, 1A LDO FORANALOG I/O

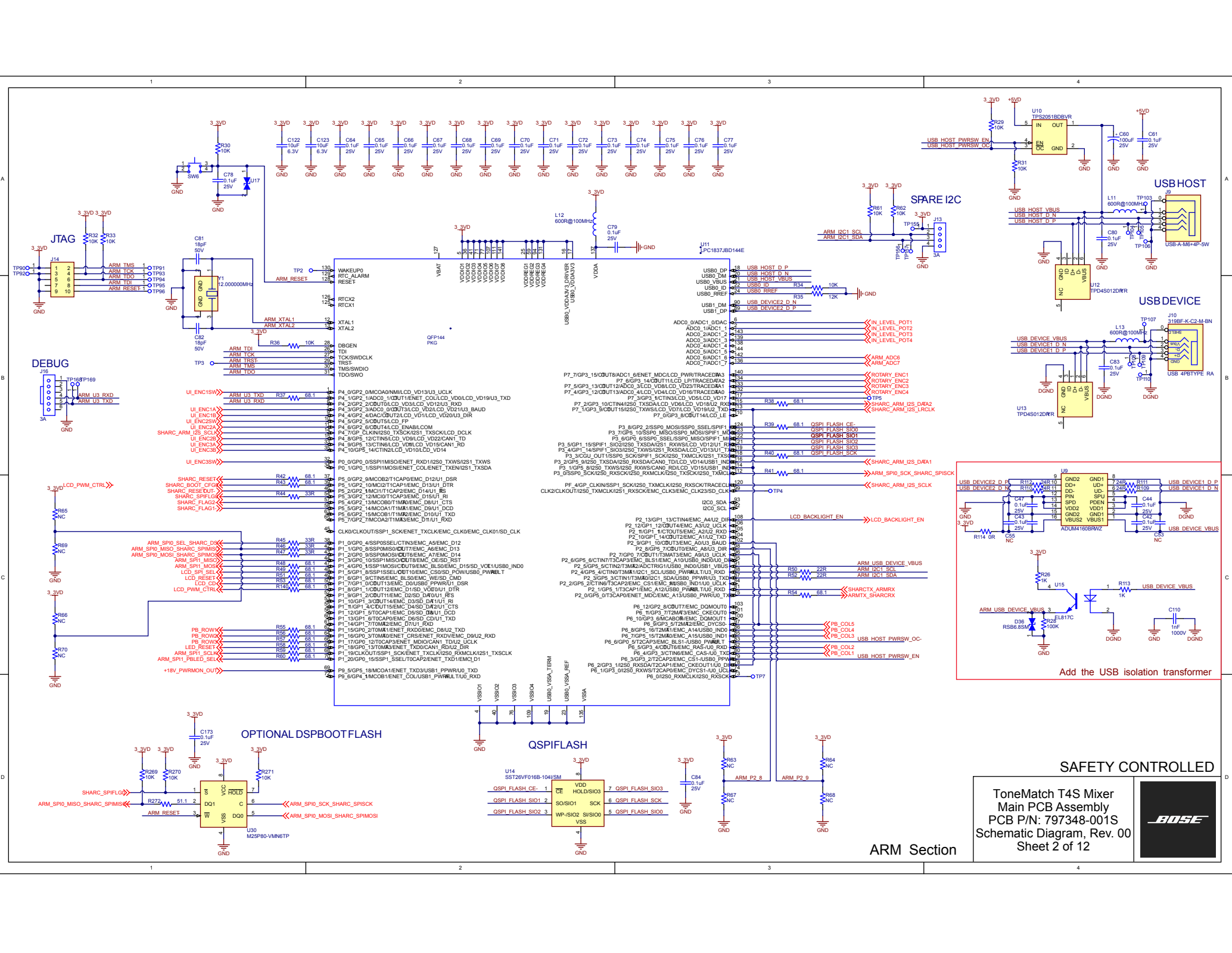


SAFETY CONTROLLED

ToneMatch T4S Mixer
Main PCB Assembly
PCB P/N: 797348-001S
Schematic Diagram, Rev. 00
Sheet 1 of 12



Power Section

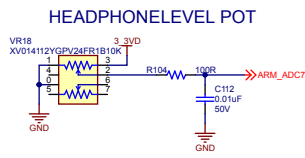
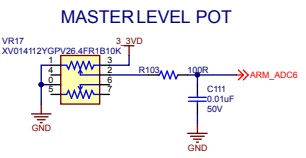
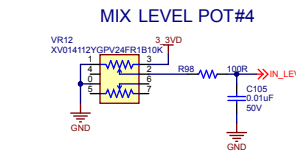
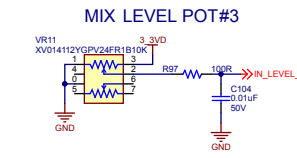
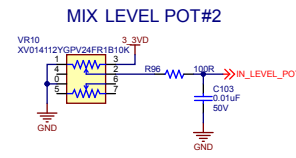
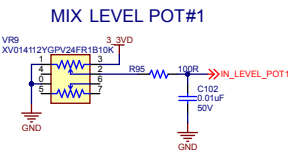
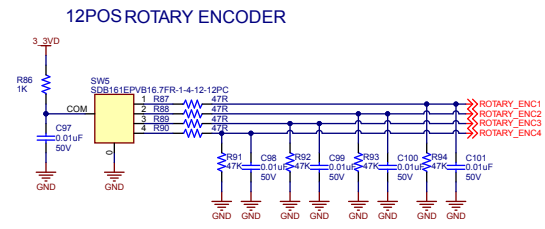
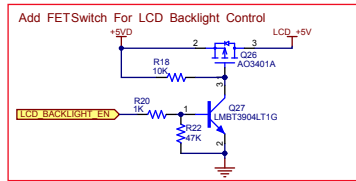
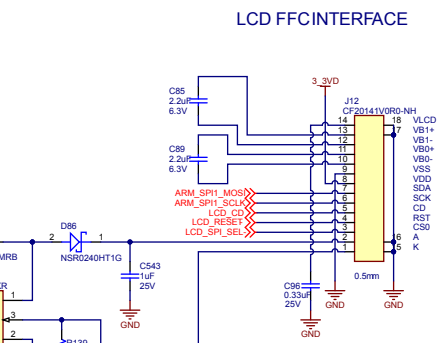
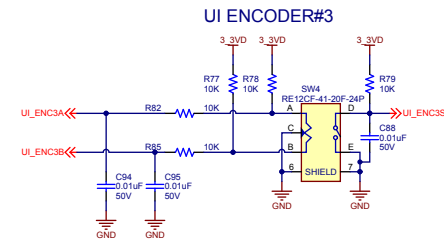
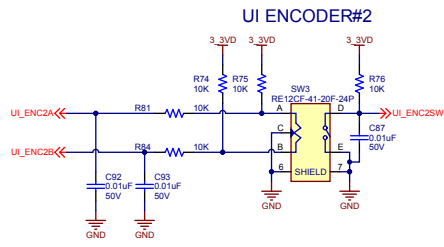
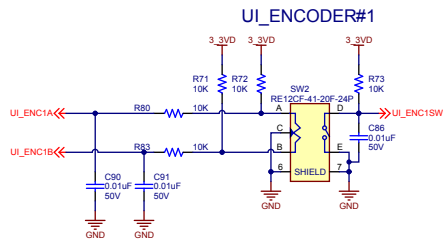


SAFETY CONTROLLED

ToneMatch T4S Mixer
Main PCB Assembly
PCB P/N: 797348-001S
Schematic Diagram, Rev. 00
Sheet 2 of 12

BOSE

ARM Section



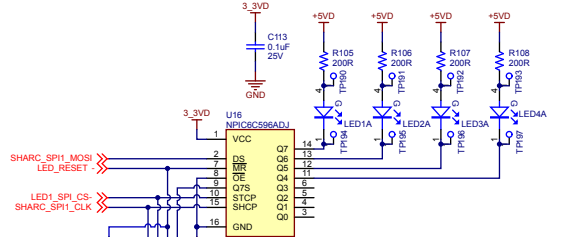
SAFETY CONTROLLED

ToneMatch T4S Mixer
Main PCB Assembly
PCB P/N: 797348-001S
Schematic Diagram, Rev. 00
Sheet 3 of 12

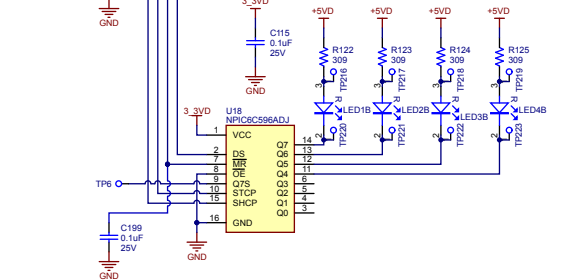


User Interface Section

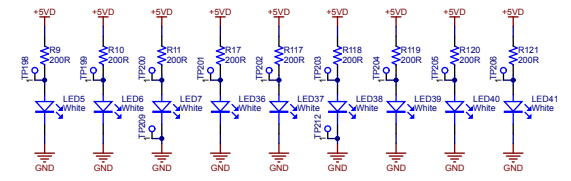
SIGNAL PRESENT GREEN LEDs



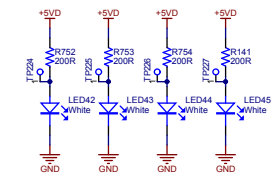
SIGNAL CLIP RED LEDs



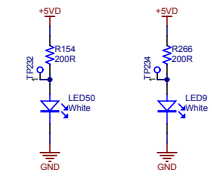
SELECT ENCODER BACKLIGHT WHITE LEDs



CHANNEL MIX LEVEL POTS BACKLIGHT WHITE LEDs



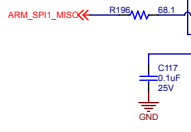
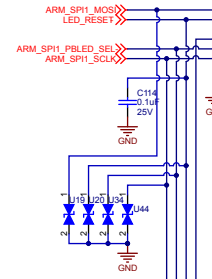
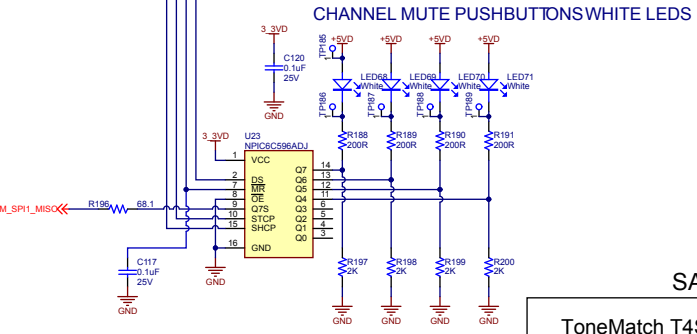
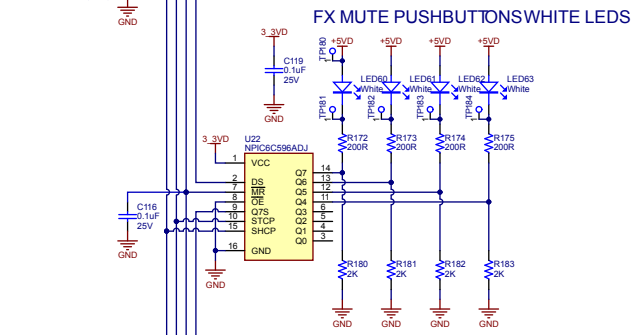
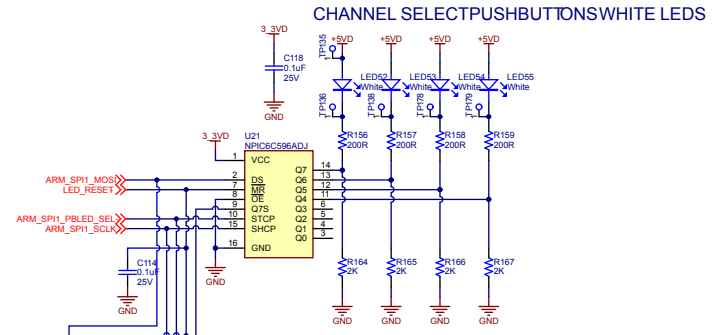
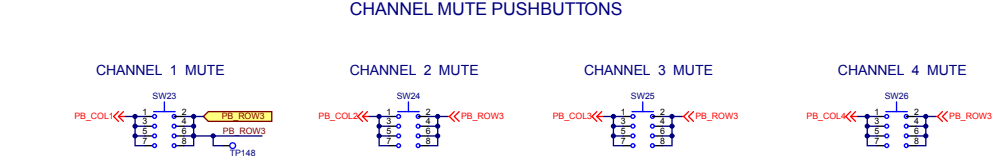
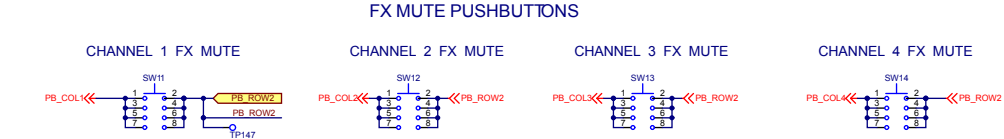
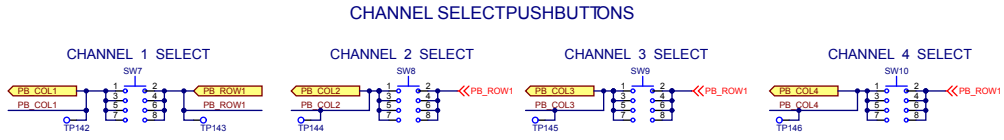
HEADPHONES AND MASTER POTS BACKLIGHT WHITE LEDs



SAFETY CONTROLLED

ToneMatch T4S Mixer
Main PCB Assembly
PCB P/N: 797348-001S
Schematic Diagram, Rev. 00
Sheet 4 of 12



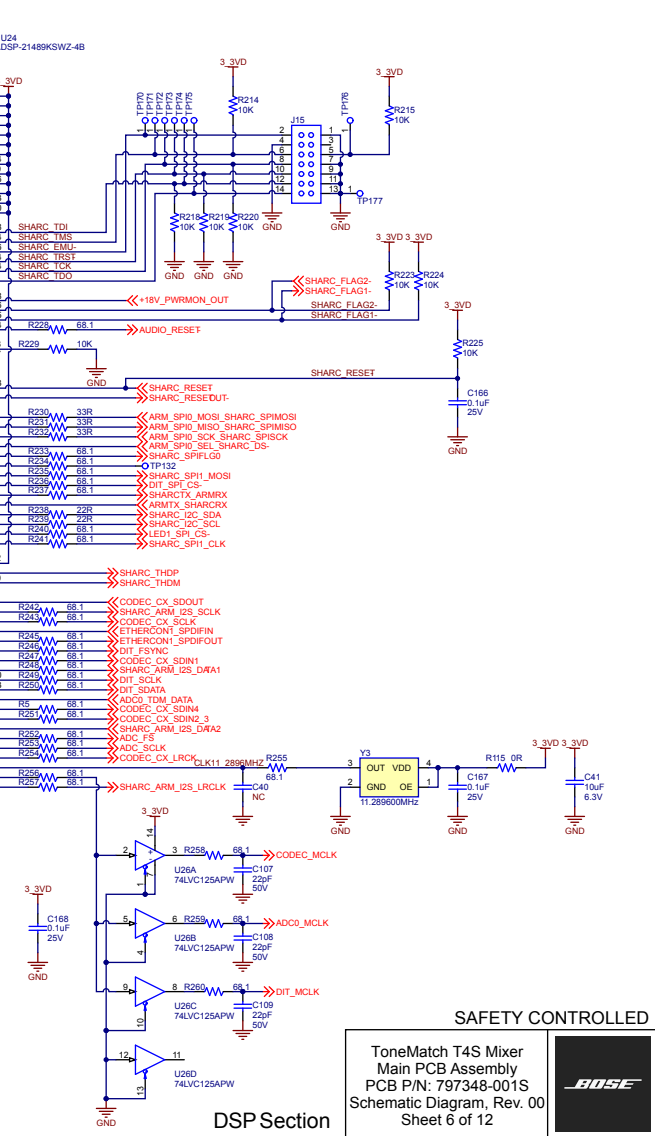
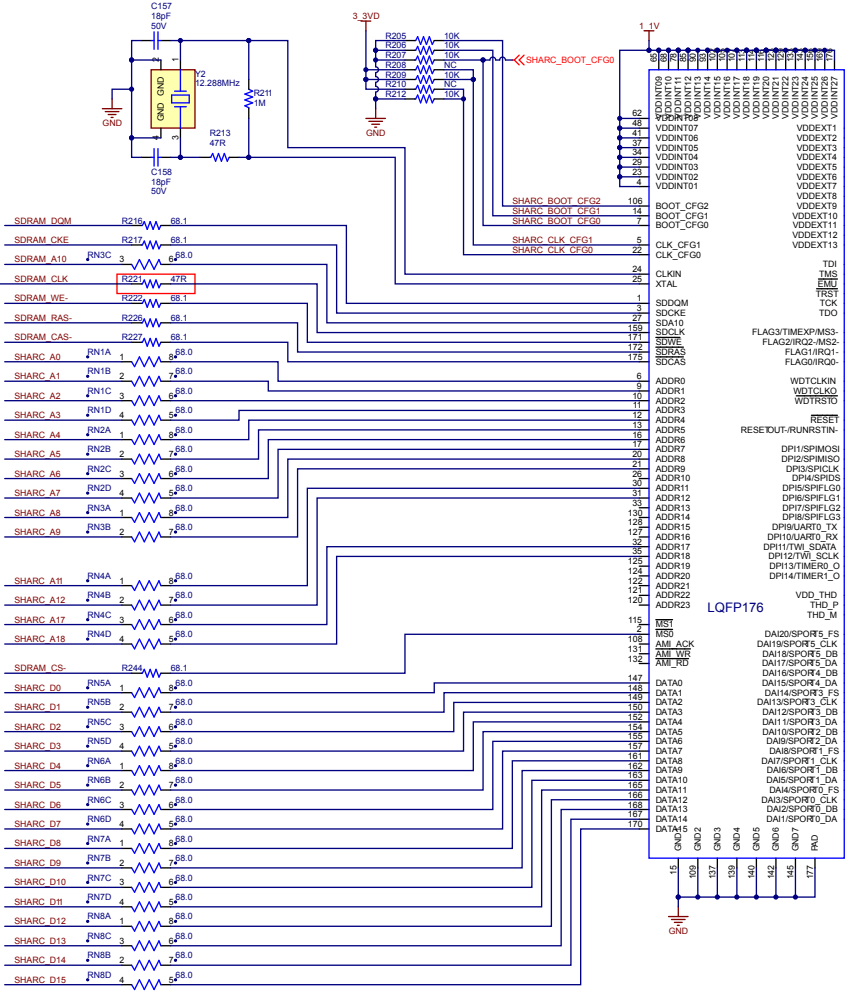
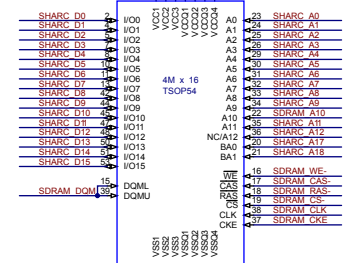
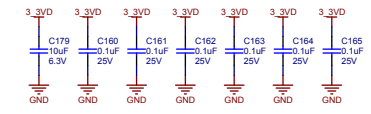
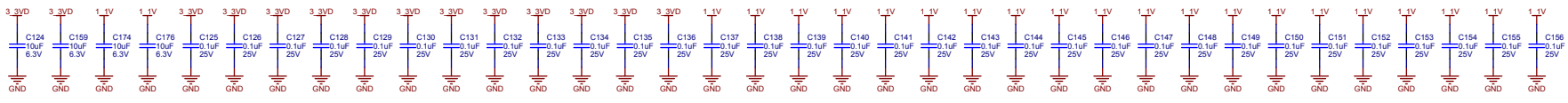


SAFETY CONTROLLED

ToneMatch T4S Mixer
 Main PCB Assembly
 PCB P/N: 797348-001S
 Schematic Diagram, Rev. 00
 Sheet 5 of 12



Pushbuttons Section



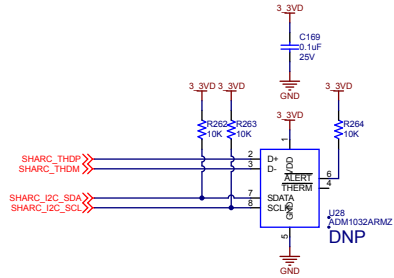
SAFETY CONTROLLED

ToneMatch T4S Mixer
Main PCB Assembly
PCB P/N: 797348-001S
Schematic Diagram, Rev. 00
Sheet 6 of 12

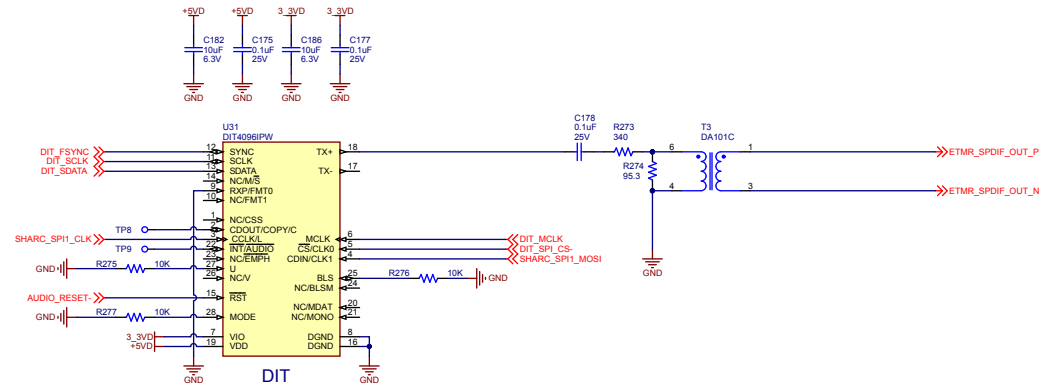
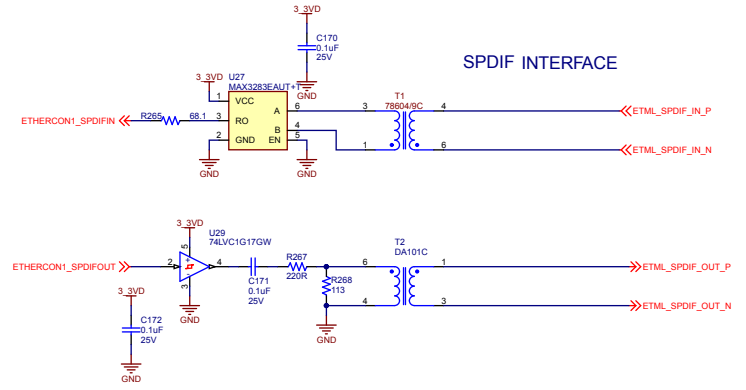
BOSE

DSP Section

OPTIONAL SHARC TEMPERATURE



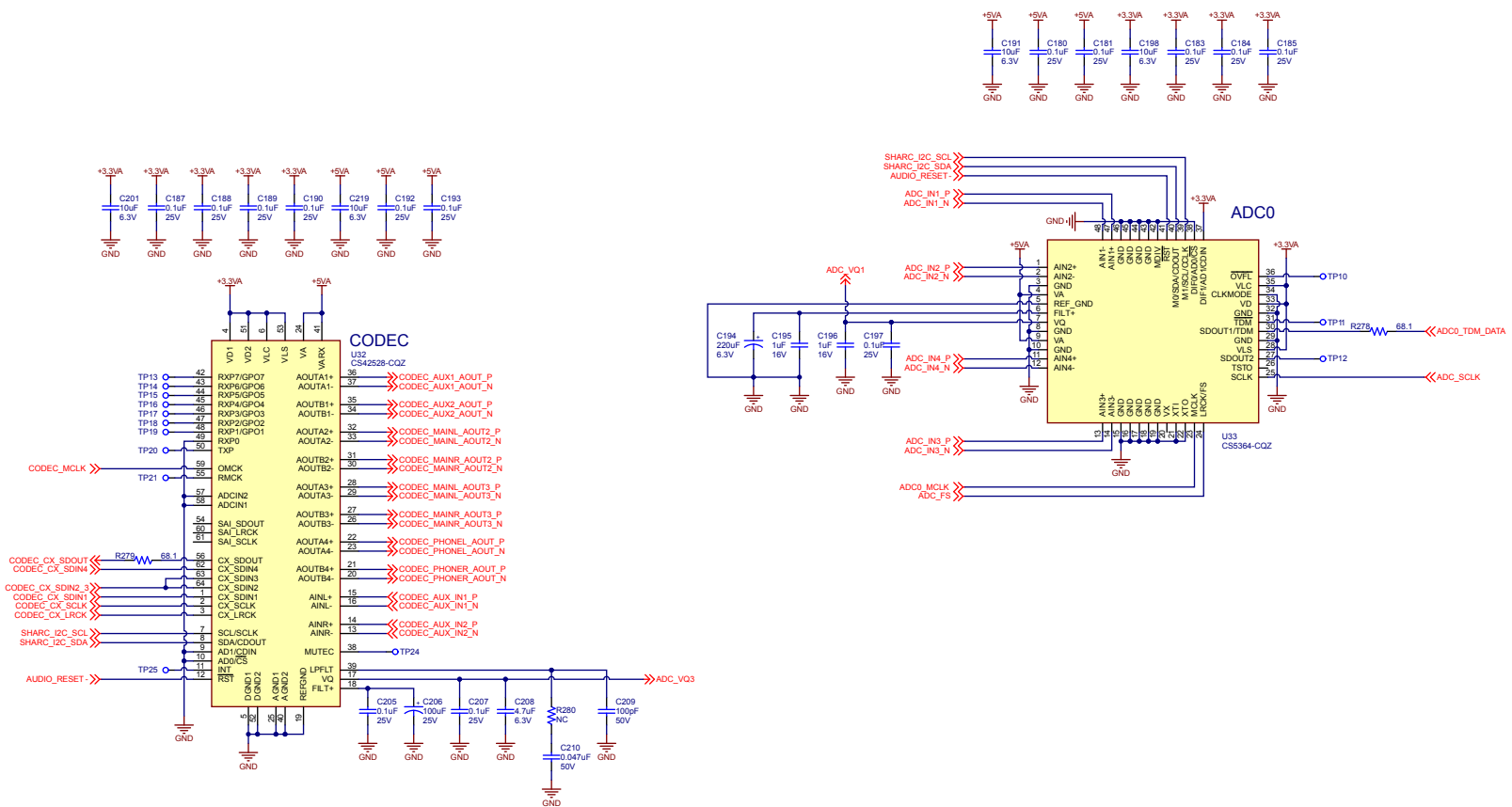
SPDIF INTERFACE



SAFETY CONTROLLED


ToneMatch T4S Mixer
Main PCB Assembly
PCB P/N: 797348-001S
Schematic Diagram, Rev. 00
Sheet 7 of 12



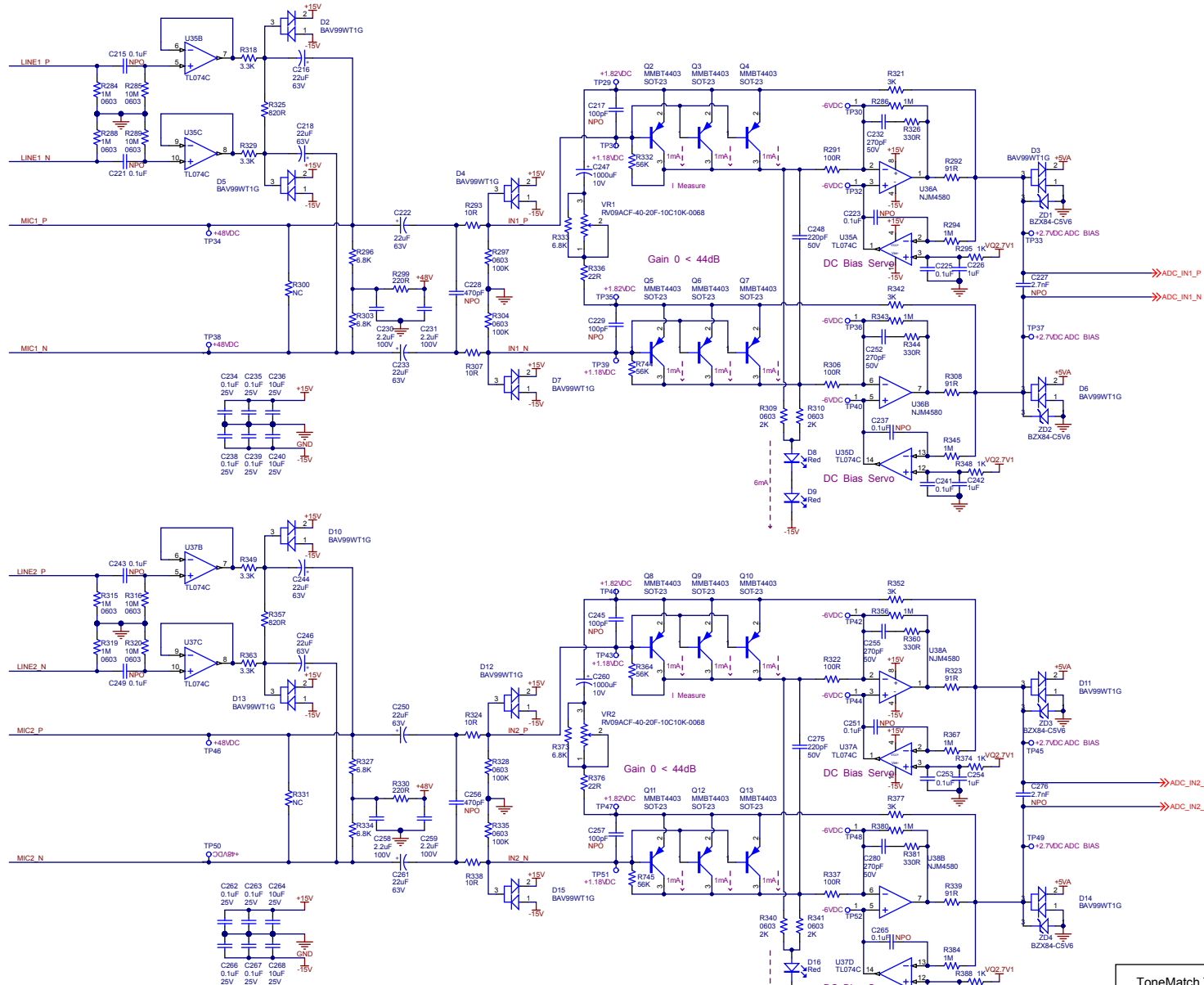
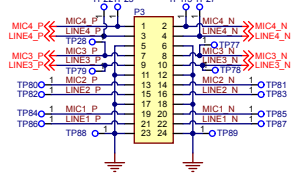


SAFETY CONTROLLED

ToneMatch T4S Mixer
 Main PCB Assembly
 PCB P/N: 797348-001S
 Schematic Diagram, Rev. 00
 Sheet 8 of 12



**DAUGHTERBOARD
ANALOG INPUT INTERFACE**

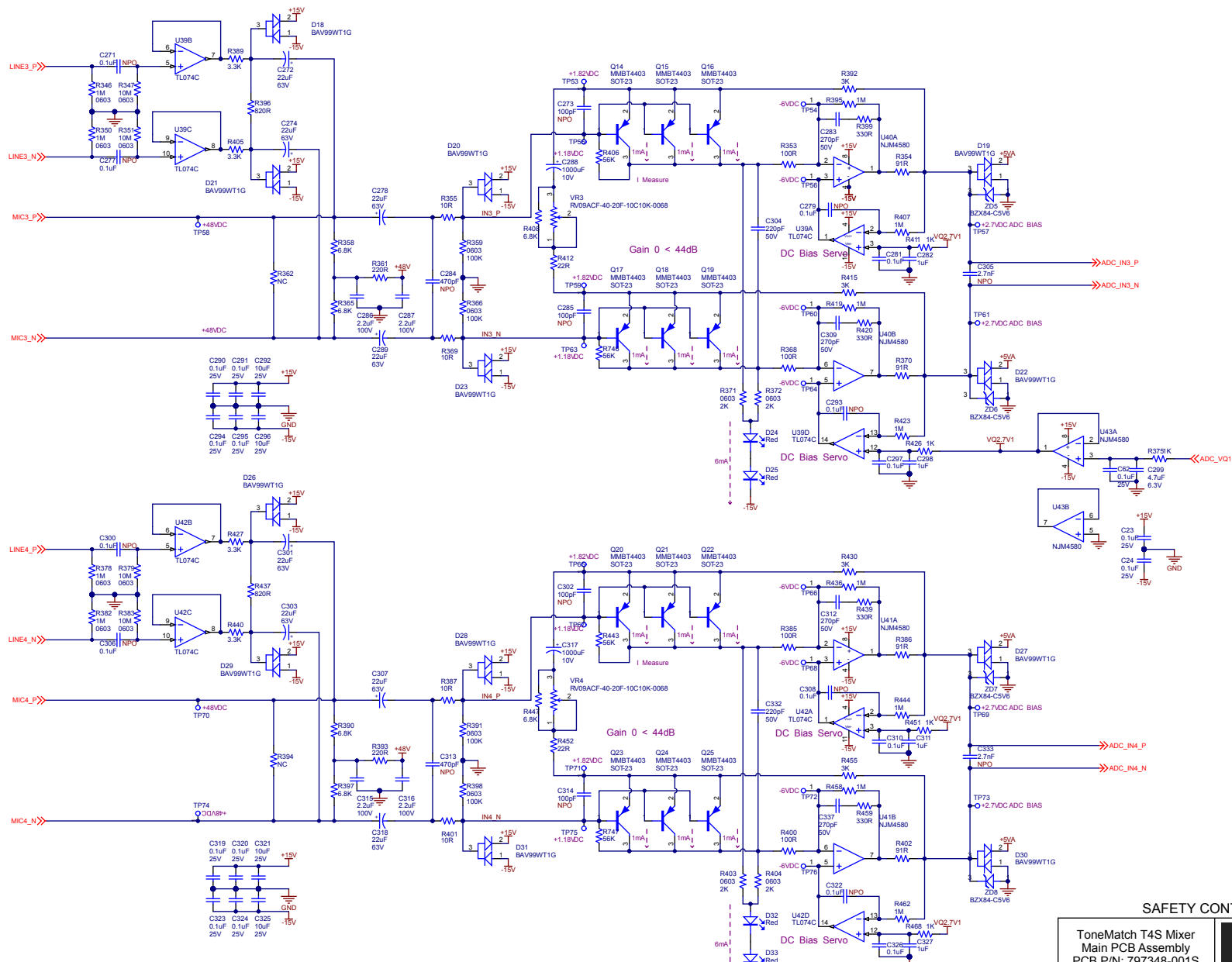


SAFETY CONTROLLED

ToneMatch T4S Mixer
Main PCB Assembly
PCB P/N: 797348-001S
Schematic Diagram, Rev. 00
Sheet 9 of 12



Analog Inputs 1 & 2 Section



Analog Inputs 3 & 4 Section

SAFETY CONTROLLED

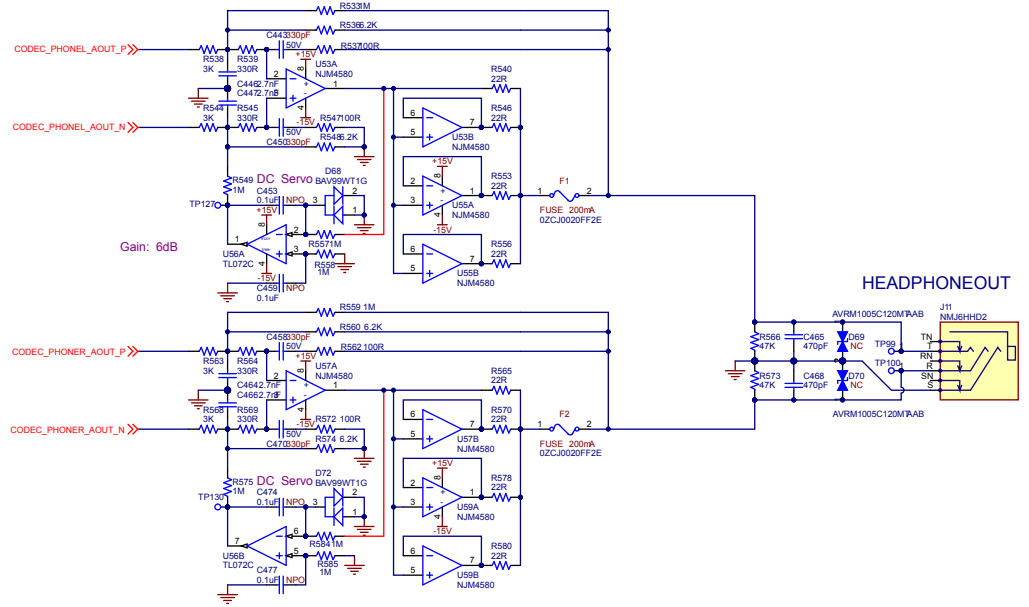
ToneMatch T4S Mixer
 Main PCB Assembly
 PCB P/N: 797348-001S
 Schematic Diagram, Rev. 00
 Sheet 10 of 12



AUX ANALOG INPUT#1

AUX ANALOG INPUT#2

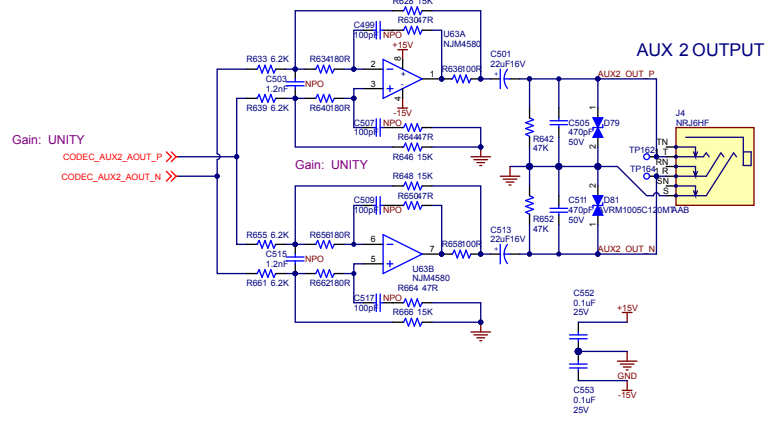
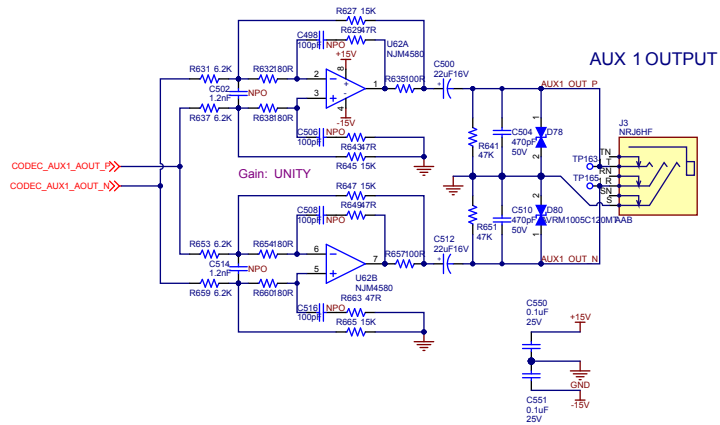
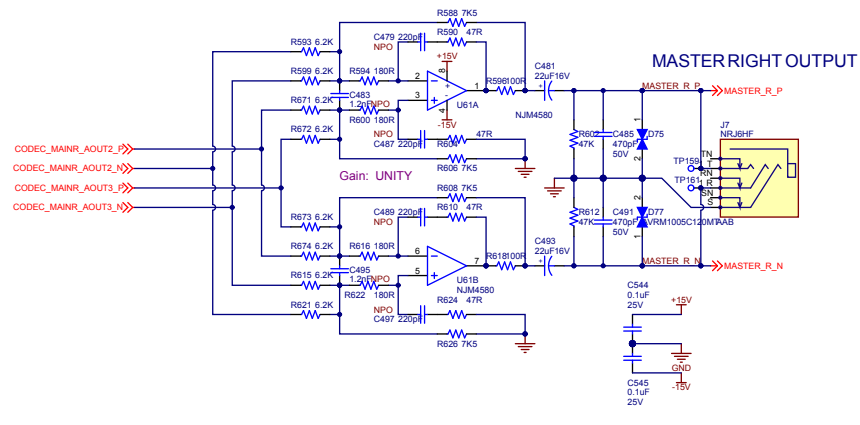
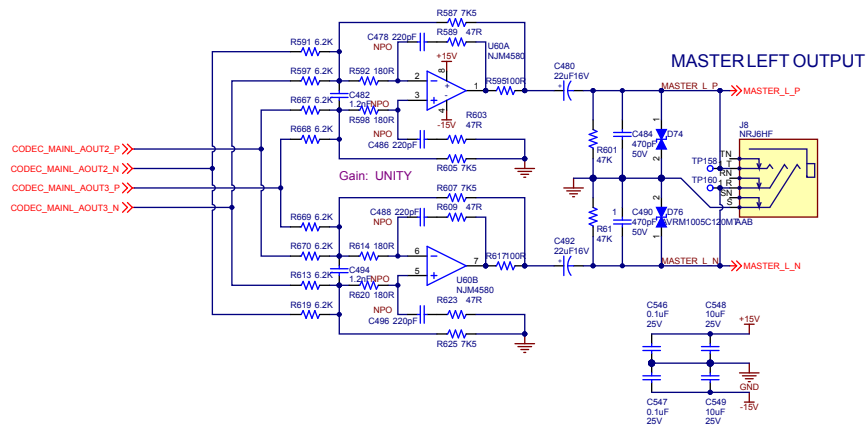
PP
1.C443,C450,C458,C470: 680pF-->330pF
2.Add resettable fuse: F1,F2



SAFETY CONTROLLED

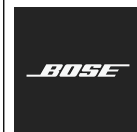
ToneMatch T4S Mixer
Main PCB Assembly
PCB P/N: 797348-001S
Schematic Diagram, Rev. 00
Sheet 11 of 12





SAFETY CONTROLLED

ToneMatch T4S Mixer
Main PCB Assembly
PCB P/N: 797348-001S
Schematic Diagram, Rev. 00
Sheet 12 of 12



Main and Aux Outputs Section