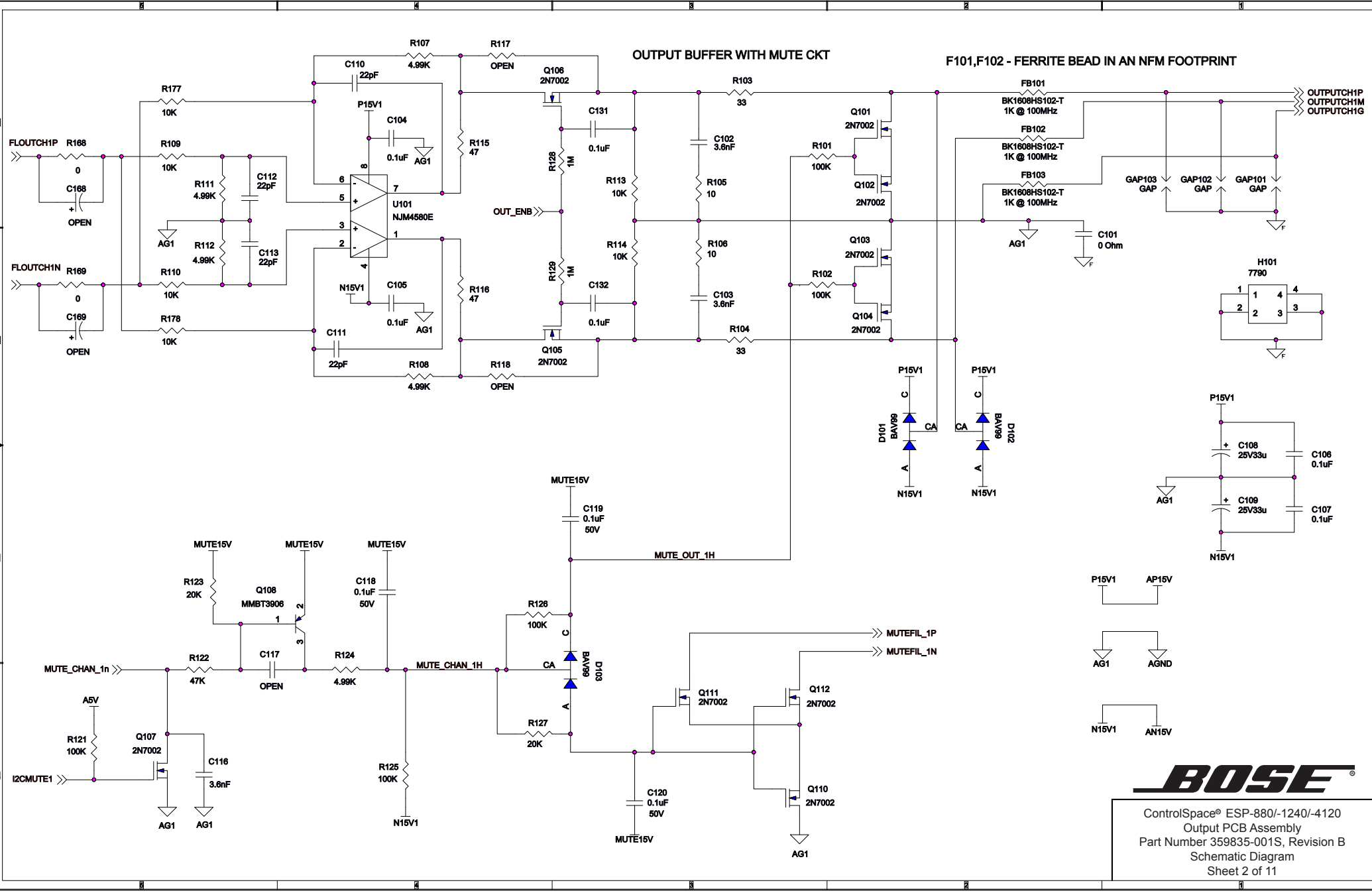


SCHEMATIC CONTENTS

- SHEET01 - TITLE PAGE
- SHEET02 - OUTPUT - CH1
- SHEET03 - OUTPUT - CH2
- SHEET04 - OUTPUT - CH3
- SHEET05 - OUTPUT - CH4
- SHEET06 - FILTER - CH12
- SHEET07 - FILTER - CH12
- SHEET08 - DAC
- SHEET09 - I2C - MUTE CTL
- SHEET10 - POWER OFF MUTE
- SHEET11 - POWER, Connectors

BOSE[®]

ControlSpace[®] ESP-880/-1240/-4120
Output PCB Assembly
Part Number 359835-001S, Revision B
Schematic Diagram
Sheet 1 of 11

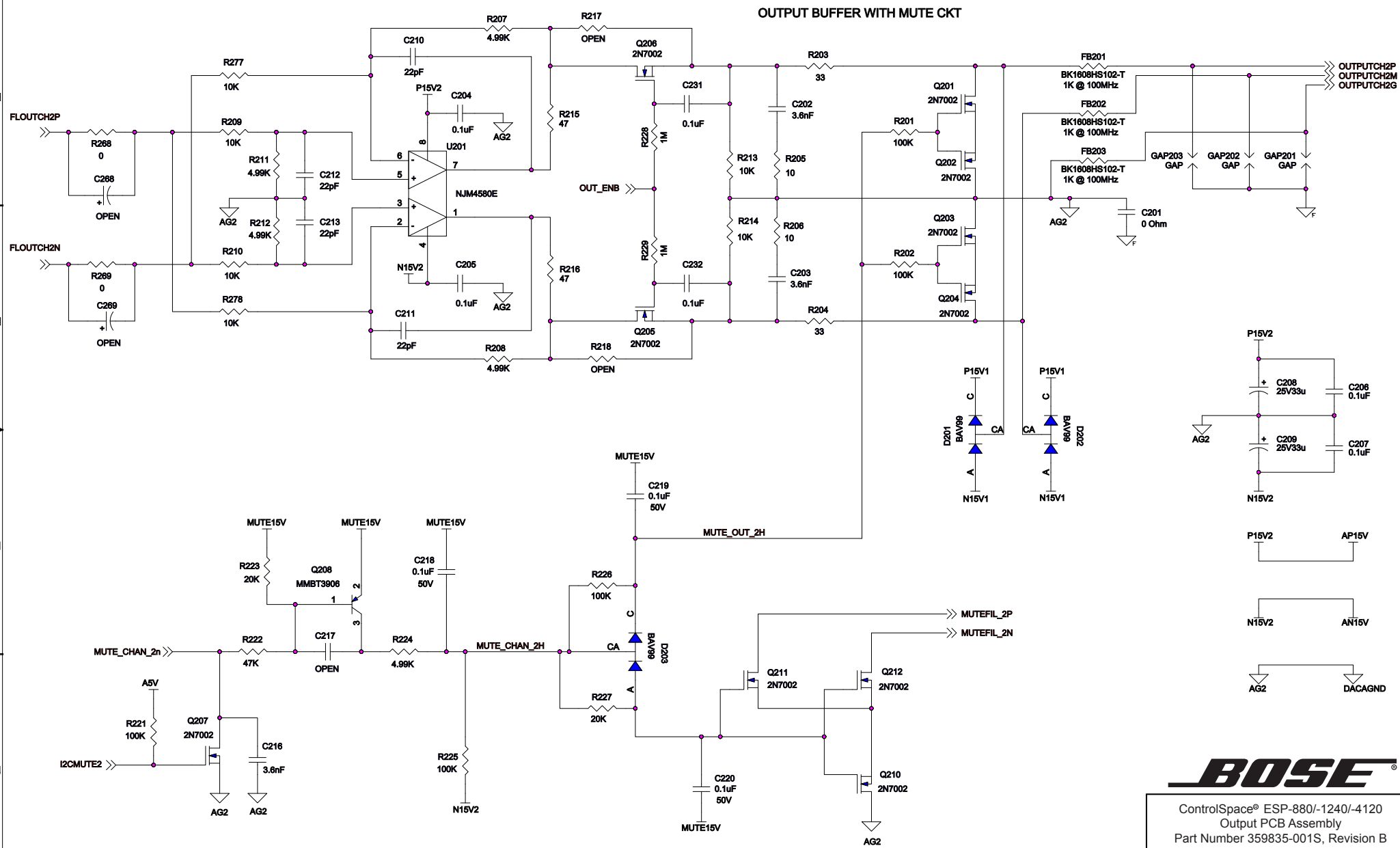


OUTPUT BUFFER WITH MUTE CKT

F101,F102 - FERRITE BEAD IN AN NFM FOOTPRINT

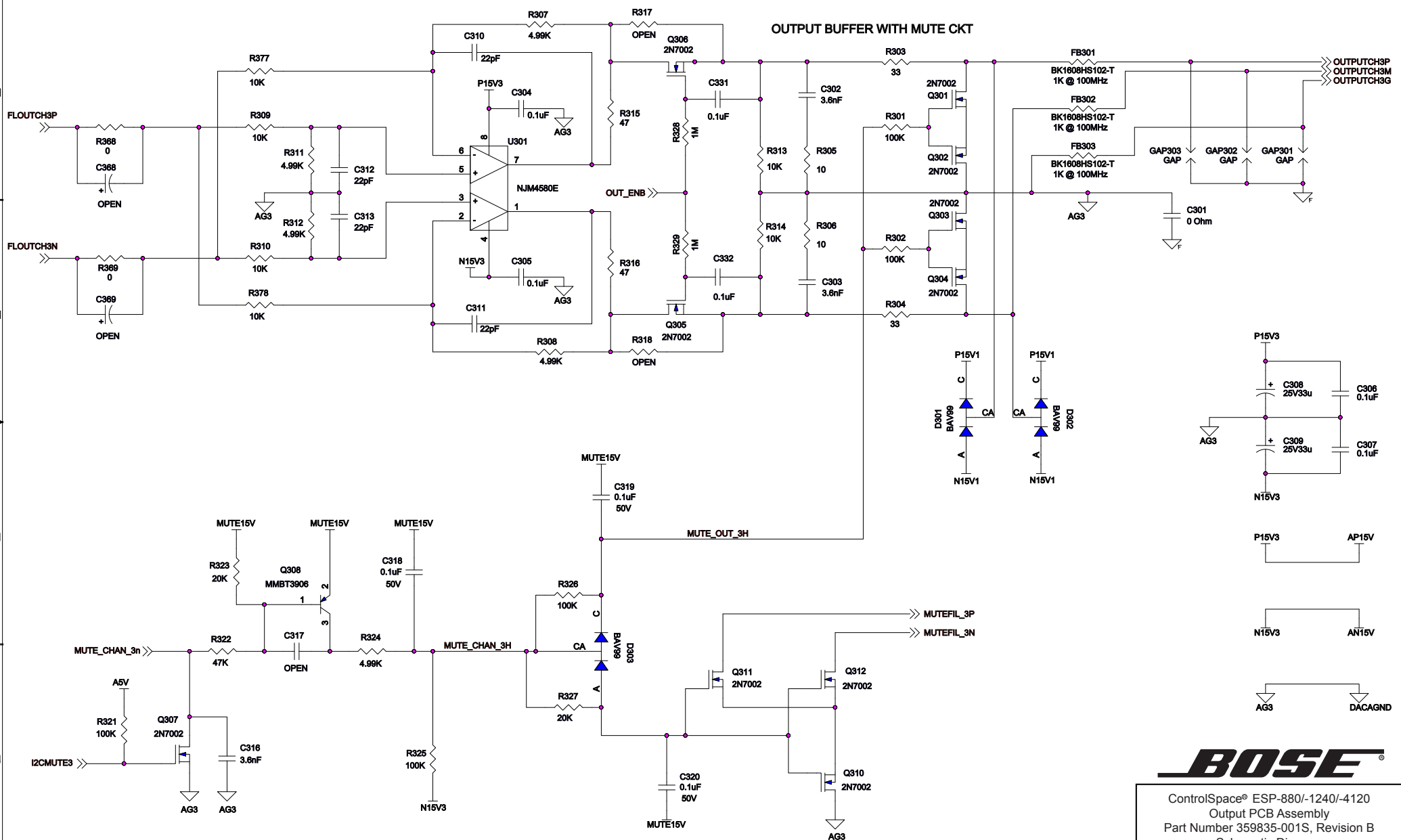
BOSE
 ControlSpace® ESP-880/-1240/-4120
 Output PCB Assembly
 Part Number 359835-001S, Revision B
 Schematic Diagram
 Sheet 2 of 11

OUTPUT BUFFER WITH MUTE CKT

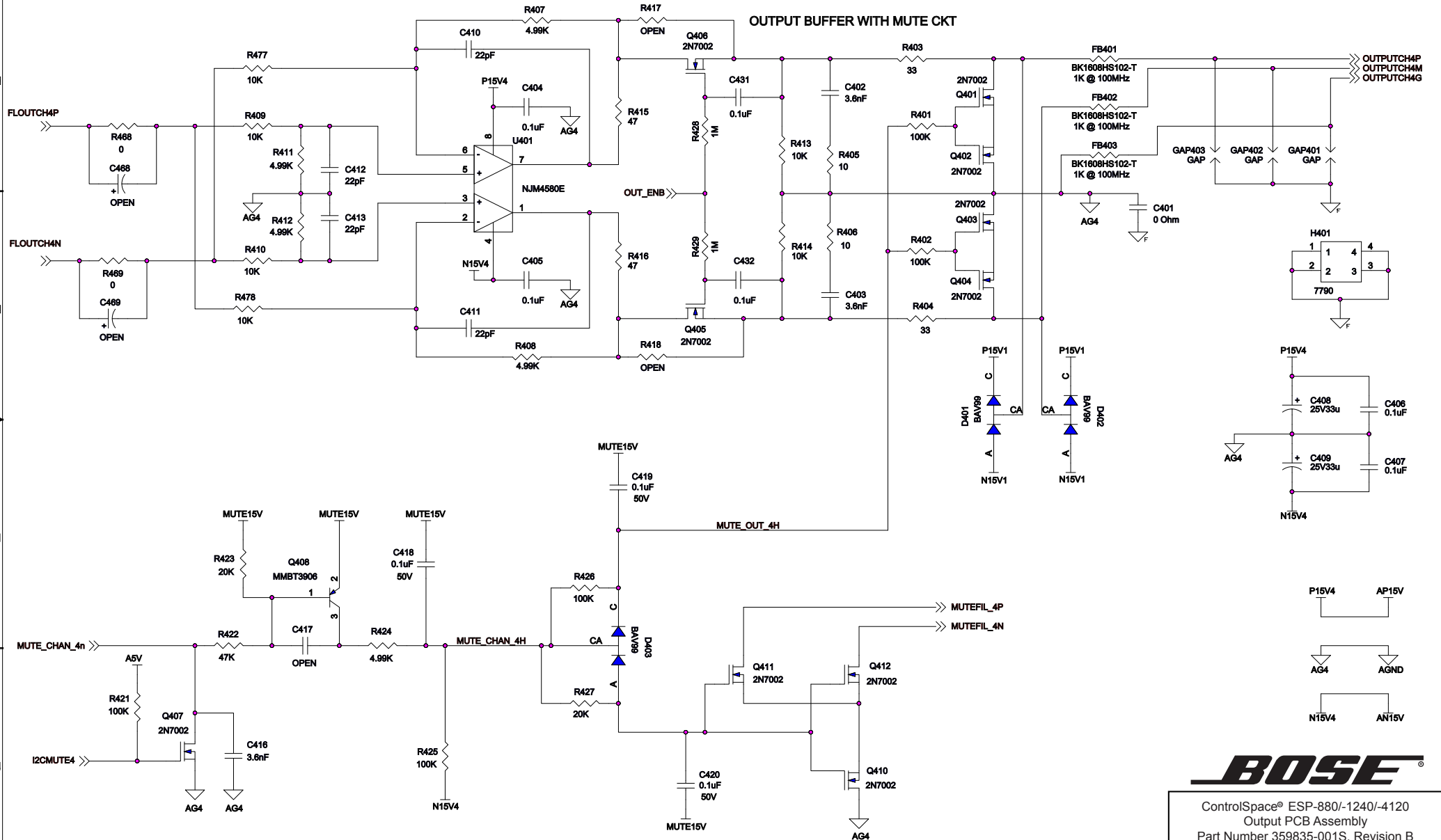


ControlSpace® ESP-880/-1240/-4120
 Output PCB Assembly
 Part Number 359835-001S, Revision B
 Schematic Diagram
 Sheet 3 of 11

OUTPUT BUFFER WITH MUTE CKT



ControlSpace® ESP-880/-1240/-4120
 Output PCB Assembly
 Part Number 359835-001S, Revision B
 Schematic Diagram
 Sheet 4 of 11

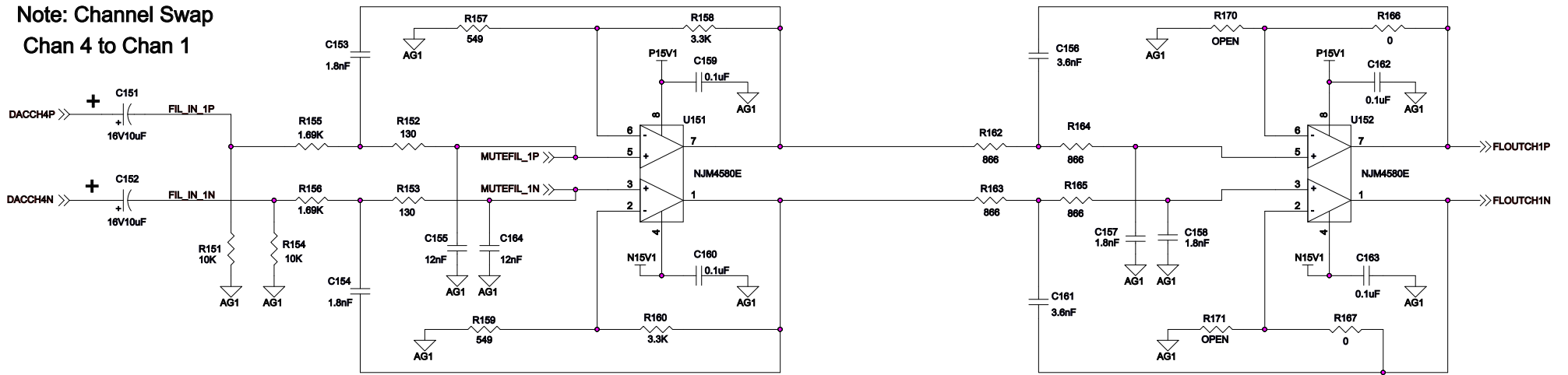


OUTPUT BUFFER WITH MUTE CKT



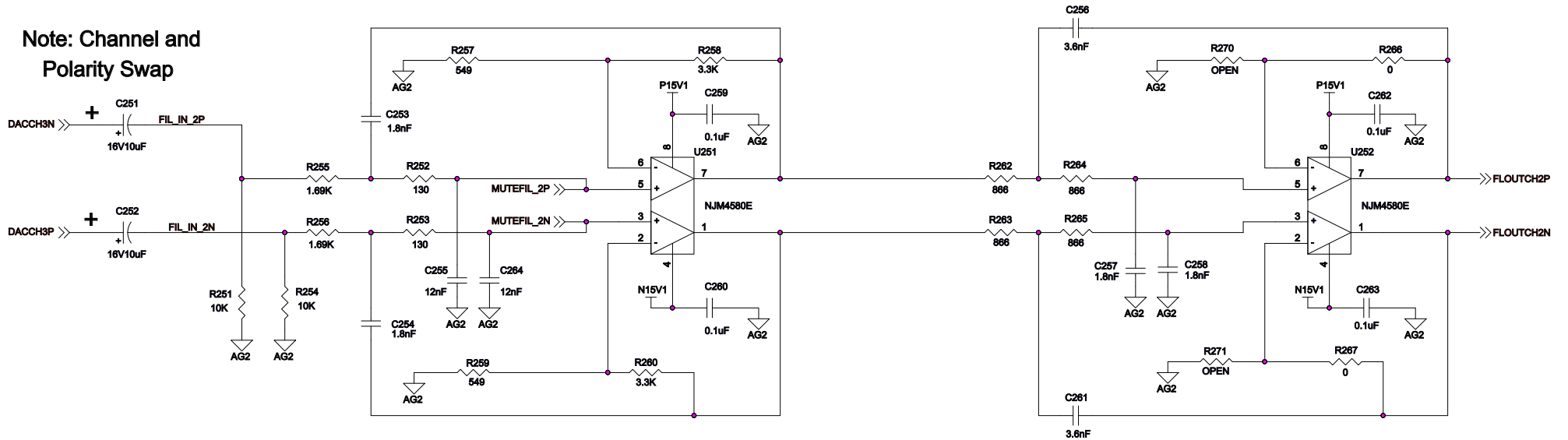
ControlSpace® ESP-880/-1240/-4120
 Output PCB Assembly
 Part Number 359835-001S, Revision B
 Schematic Diagram
 Sheet 5 of 11

Note: Channel Swap
Chan 4 to Chan 1

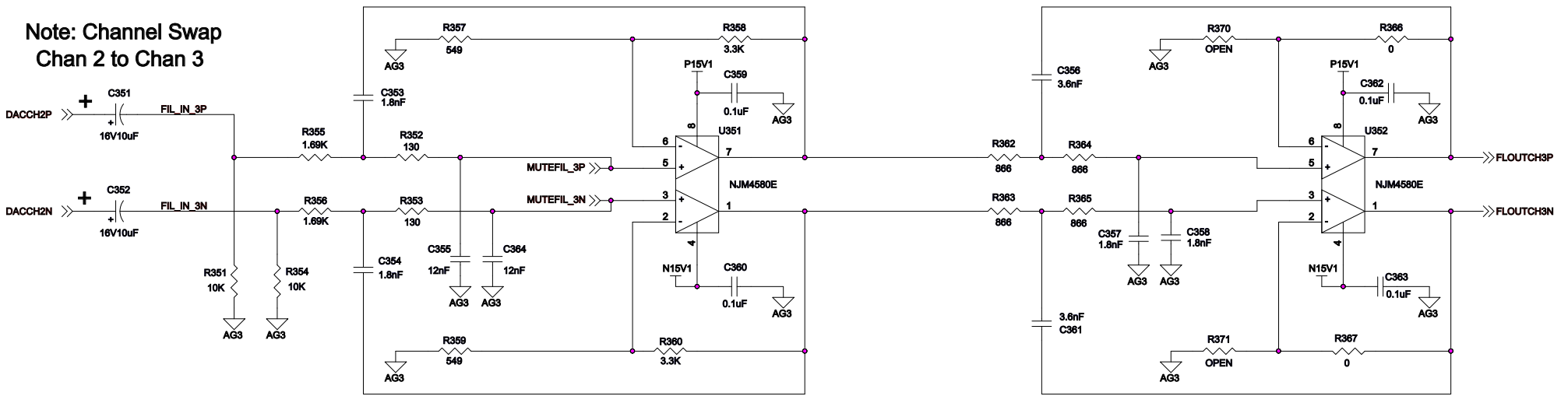


4TH ORDER BUTTERWORTH SALLEN-KEY MFB HYBRID LOWPASS FILTER
FIRST STAGE GAIN = 16; SECOND GAIN = 1
CUTOFF STARTS AT 40KHz, 3dB AT 50KHz

Note: Channel and
Polarity Swap

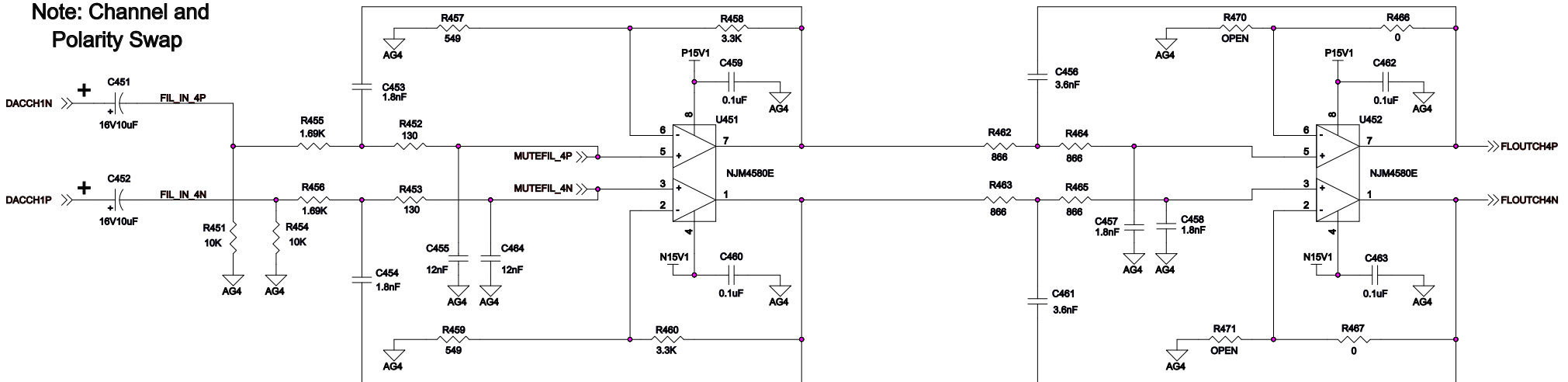


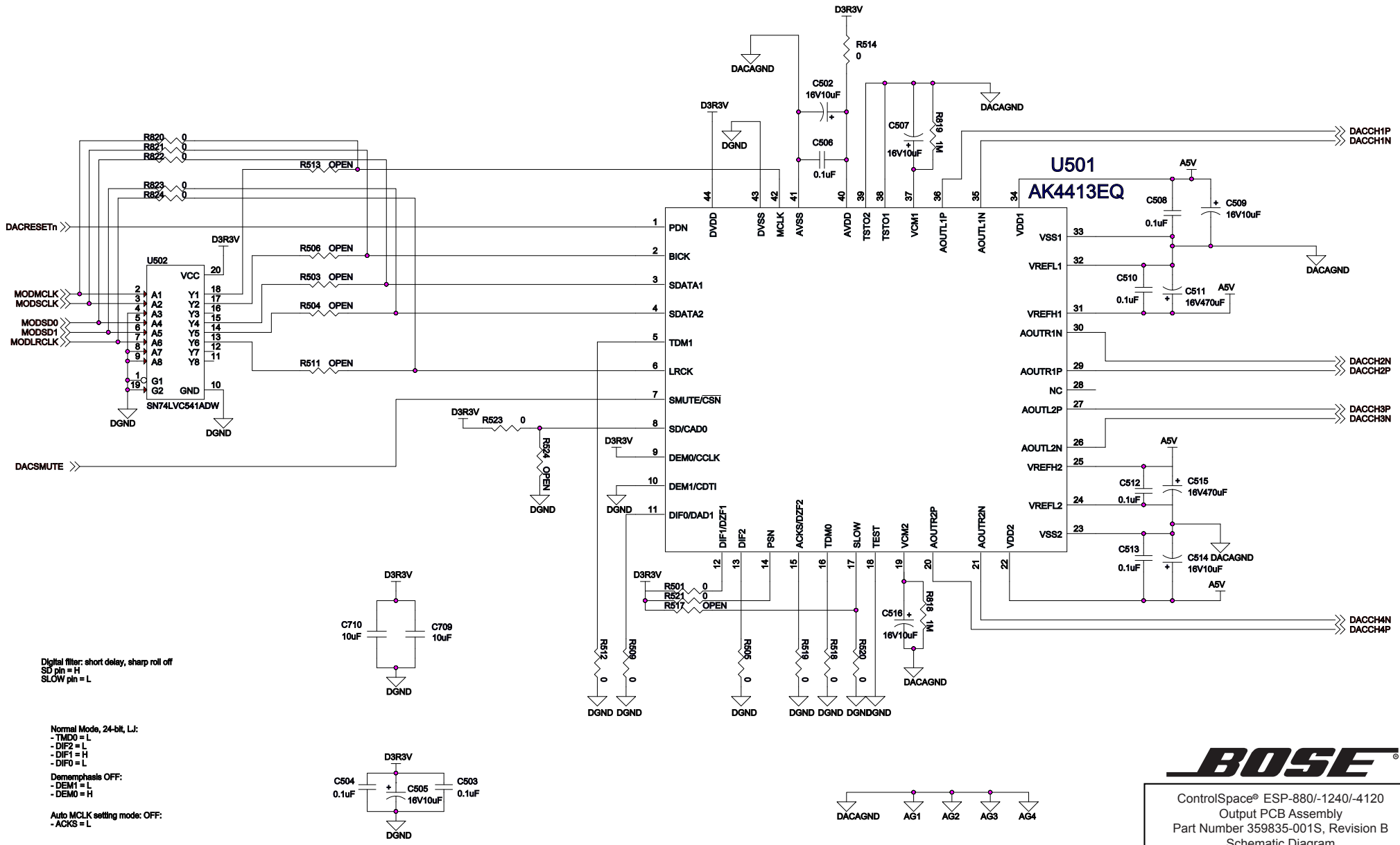
Note: Channel Swap
Chan 2 to Chan 3



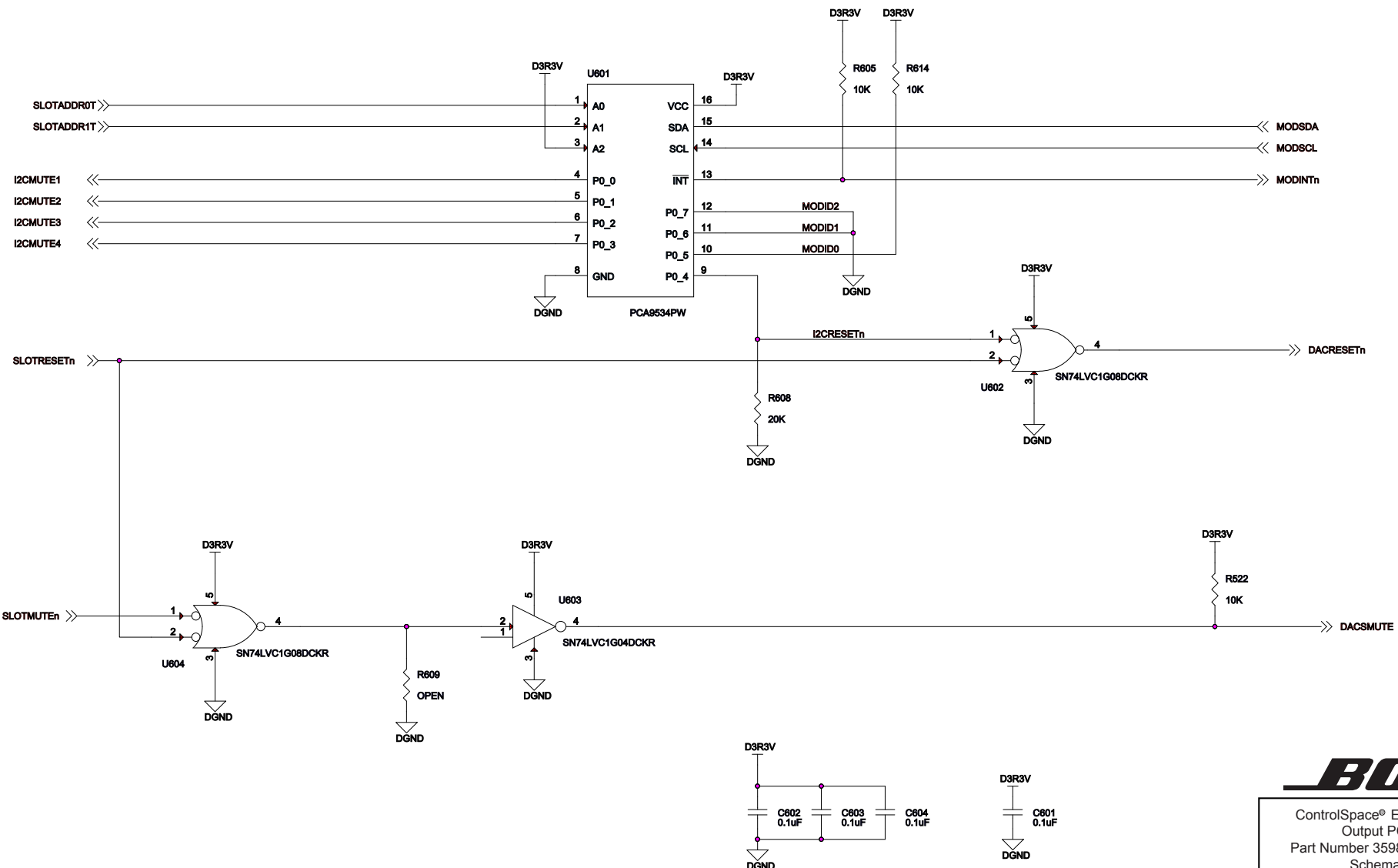
4TH ORDER BUTTERWORTH SALLEN-KEY MFB HYBRID LOWPASS FILTER
FIRST STAGE GAIN = 5; SECOND GAIN = 1
CUTOFF STARTS AT 40KHz, 3dB AT 50KHz

Note: Channel and
Polarity Swap

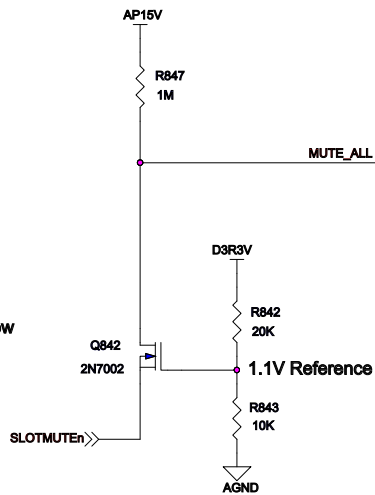




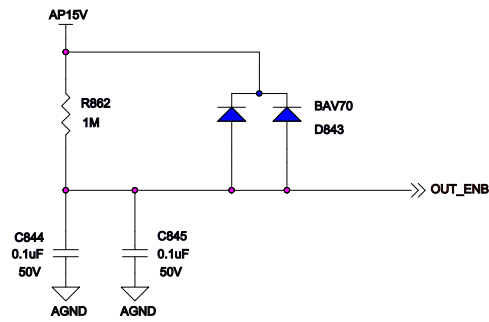
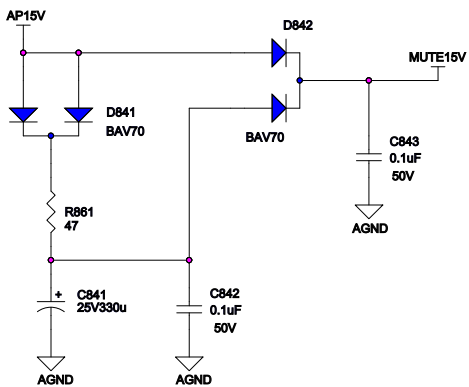
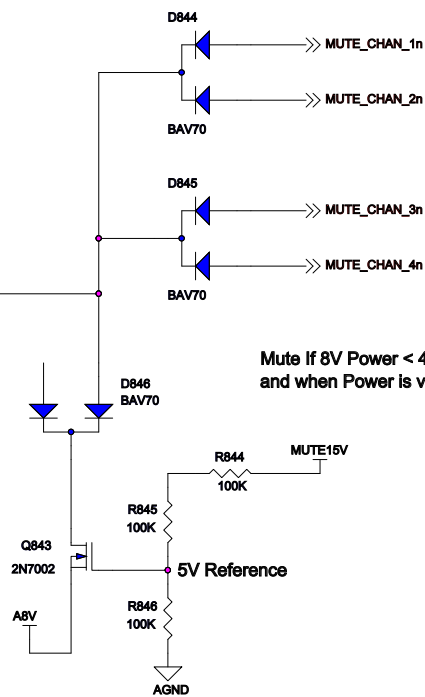
ControlSpace® ESP-880/-1240/-4120
Output PCB Assembly
Part Number 359835-001S, Revision B
Schematic Diagram
Sheet 8 of 11



Mute if SLOTMUTE_n is Low

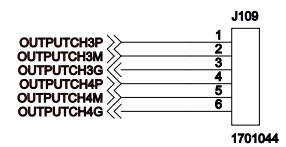
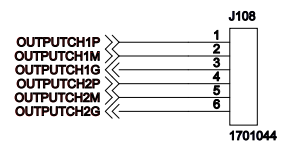
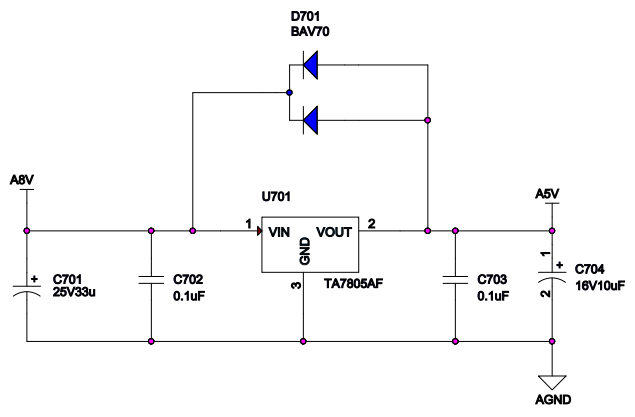
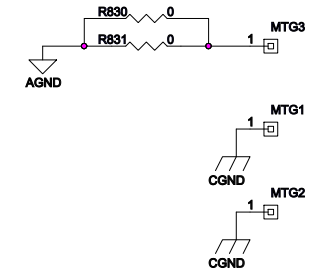
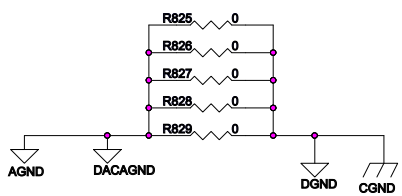
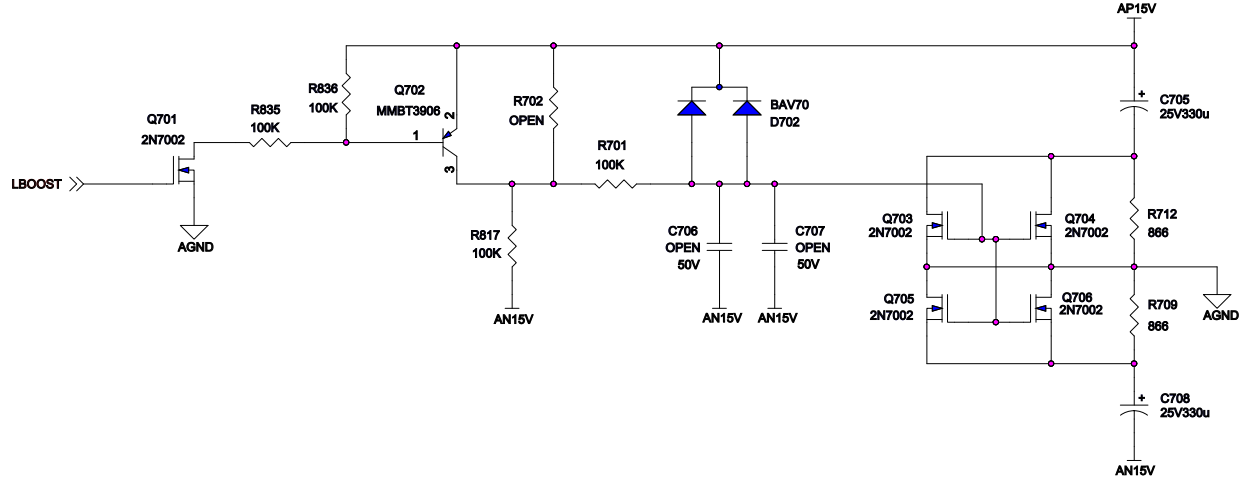
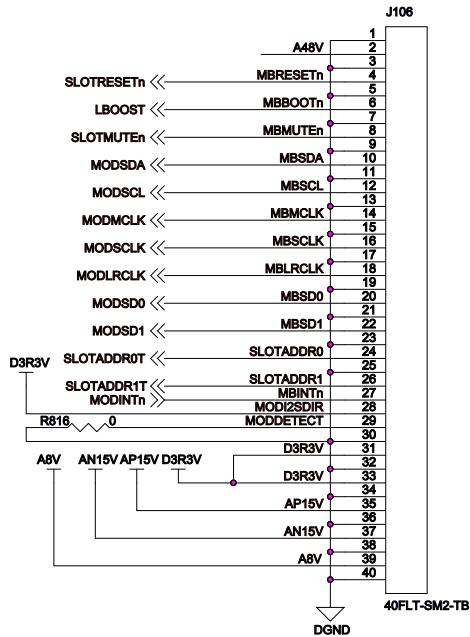


Mute if 8V Power < 4V
and when Power is very low



BOSE

ControlSpace® ESP-880/-1240/-4120
Output PCB Assembly
Part Number 359835-001S, Revision B
Schematic Diagram
Sheet 10 of 11



ControlSpace® ESP-880/-1240/-4120
 Output PCB Assembly
 Part Number 359835-001S, Revision B
 Schematic Diagram
 Sheet 11 of 11