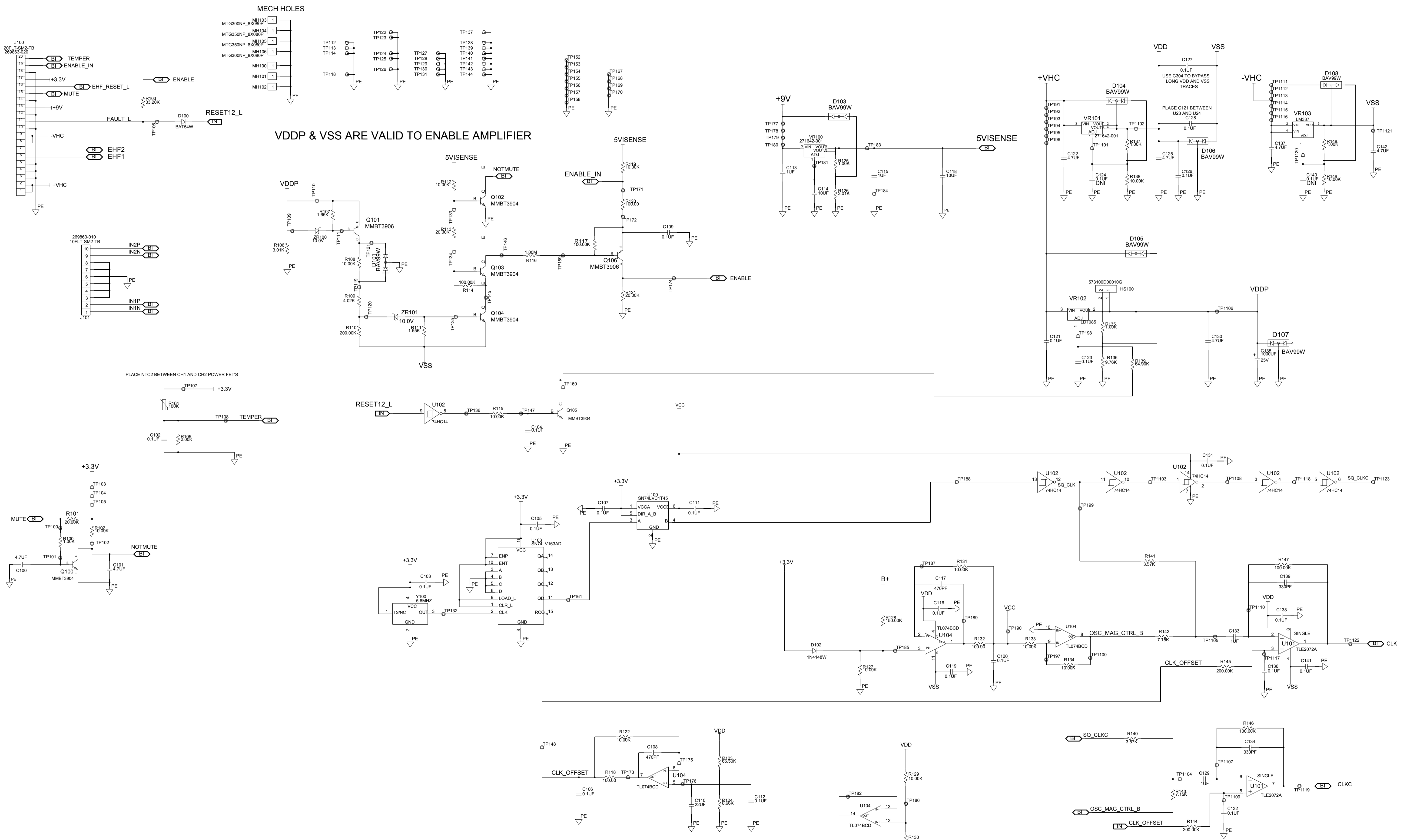


NUMBERING IS CONVERTED RELATIVE TO DIGITAL BOARD TO ACCOMMODATE FLAT FLEX CABLE WITH CONTACTS ON JUST ONE SIDE.



D

C

B

A

D

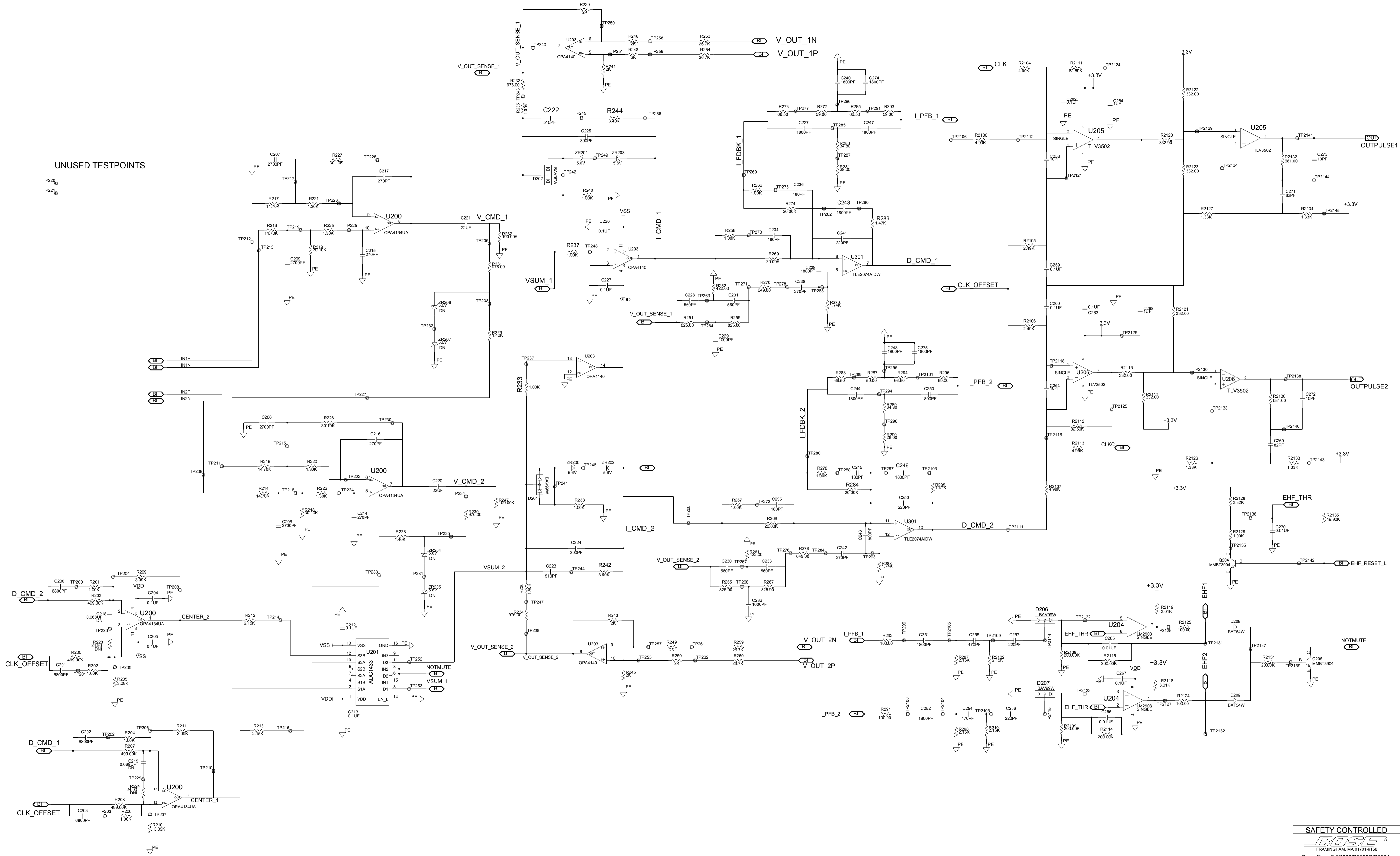
C

B

A

UNUSED TESTPOINTS

- TP220
- TP221

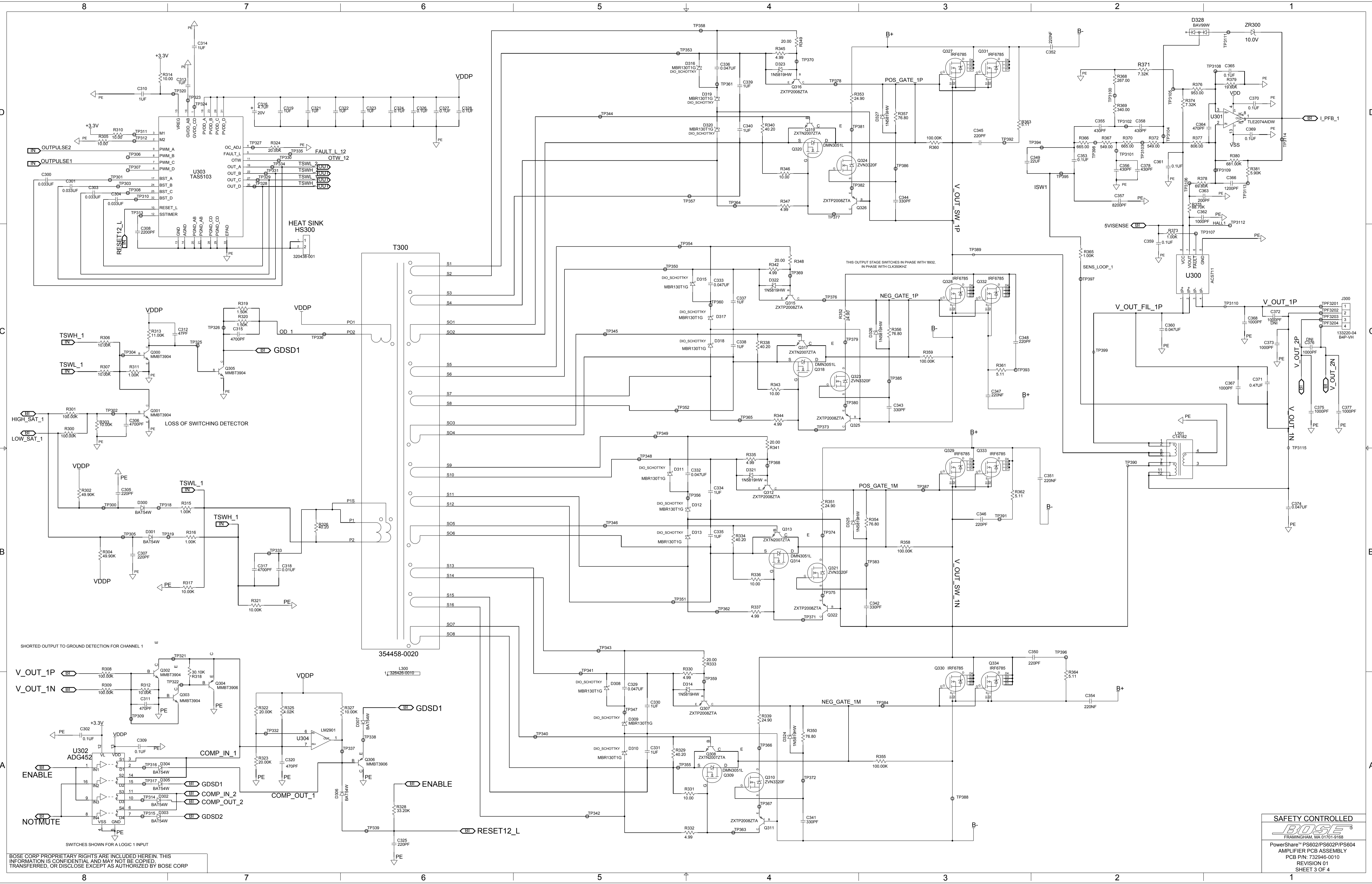


BOSE CORP PROPRIETARY RIGHTS ARE INCLUDED HEREIN. THIS INFORMATION IS CONFIDENTIAL AND MAY NOT BE COPIED, TRANSFERRED, OR DISCLOSE EXCEPT AS AUTHORIZED BY BOSE CORP

SAFETY CONTROLLED

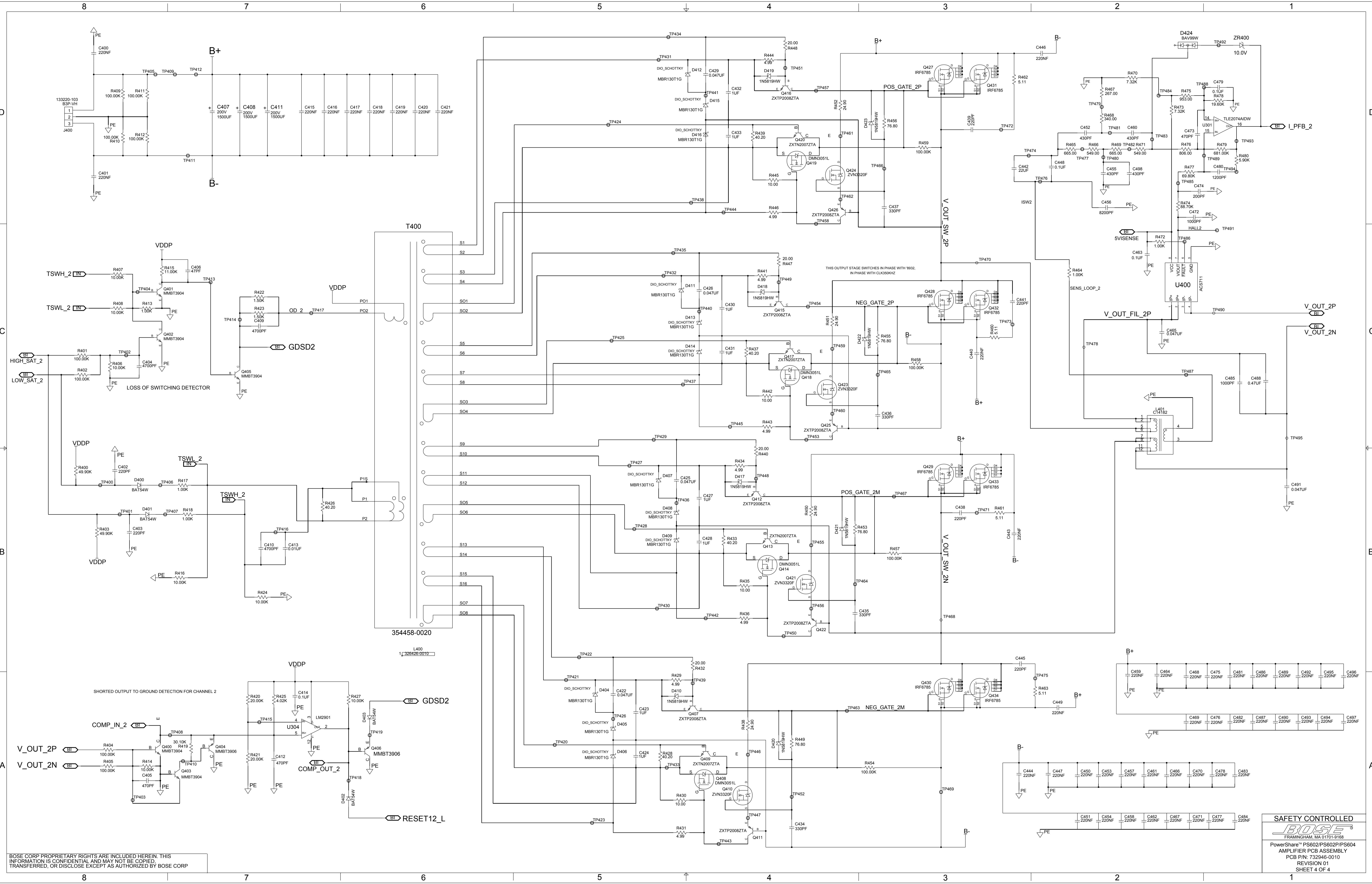
BOSE
FRAMINGHAM, MA 01701-9168

PowerShare™ PS602/PS602P/PS604
AMPLIFIER PCB ASSEMBLY
PCB P/N: 732946-0010
REVISION 01
SHEET 2 OF 4



BOSE CORP PROPRIETARY RIGHTS ARE INCLUDED HEREIN. THIS INFORMATION IS CONFIDENTIAL AND MAY NOT BE COPIED, TRANSFERRED, OR DISCLOSE EXCEPT AS AUTHORIZED BY BOSE CORP

SAFETY CONTROLLED
BOSE
 FRAMINGHAM, MA 01701-9168
 PowerShare™ PS602/PS602P/PS604
 AMPLIFIER PCB ASSEMBLY
 PCB P/N: 732946-0010
 REVISION 01
 SHEET 3 OF 4



BOSE CORP PROPRIETARY RIGHTS ARE INCLUDED HEREIN. THIS INFORMATION IS CONFIDENTIAL AND MAY NOT BE COPIED, TRANSFERRED, OR DISCLOSE EXCEPT AS AUTHORIZED BY BOSE CORP

SAFETY CONTROLLED
BOSE
 FRAMINGHAM, MA 01701-9168
 PowerShare™ PS602/PS602P/PS604
 AMPLIFIER PCB ASSEMBLY
 PCB P/N: 732946-0010
 REVISION 01
 SHEET 4 OF 4