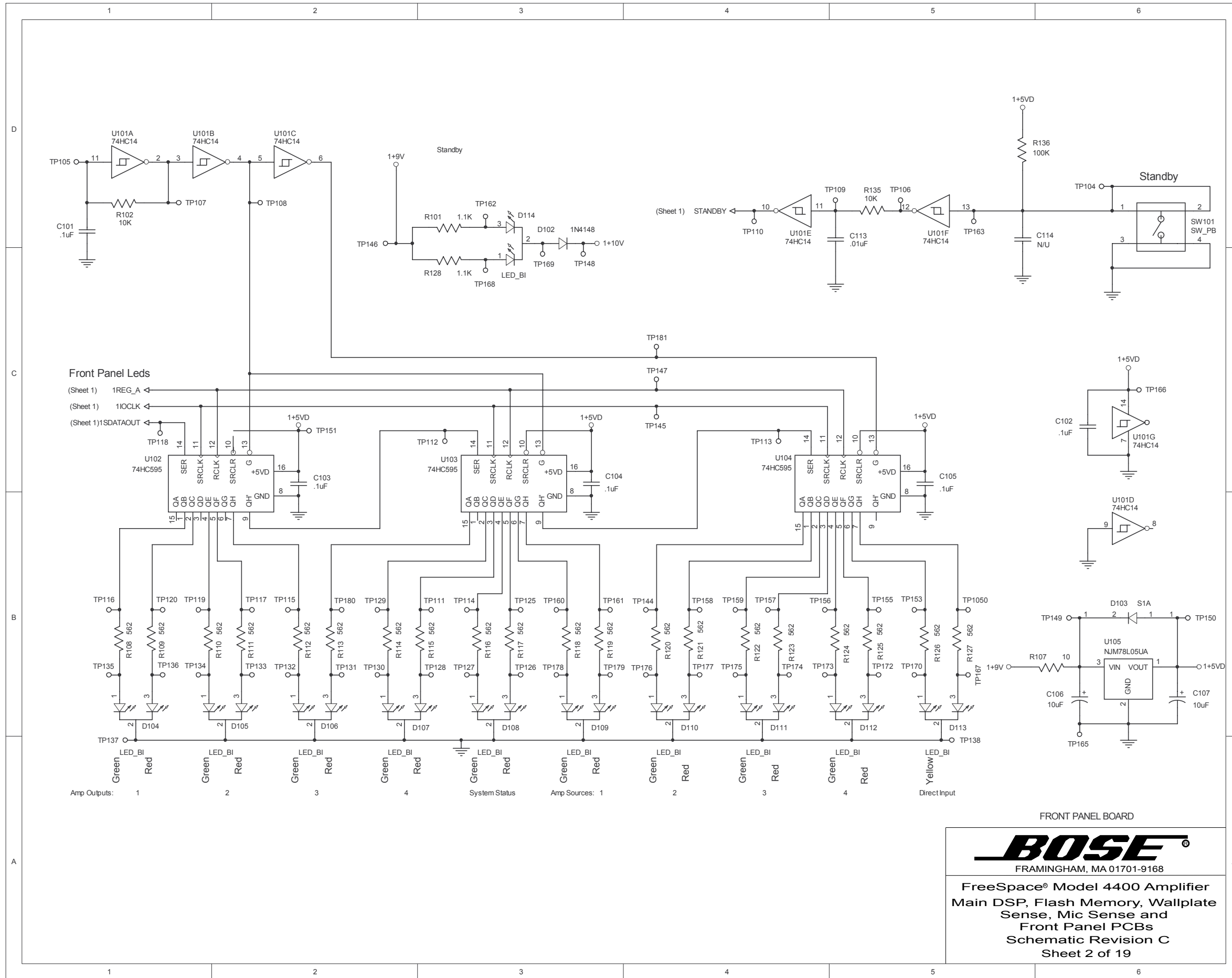


FRONT PANEL BOARD



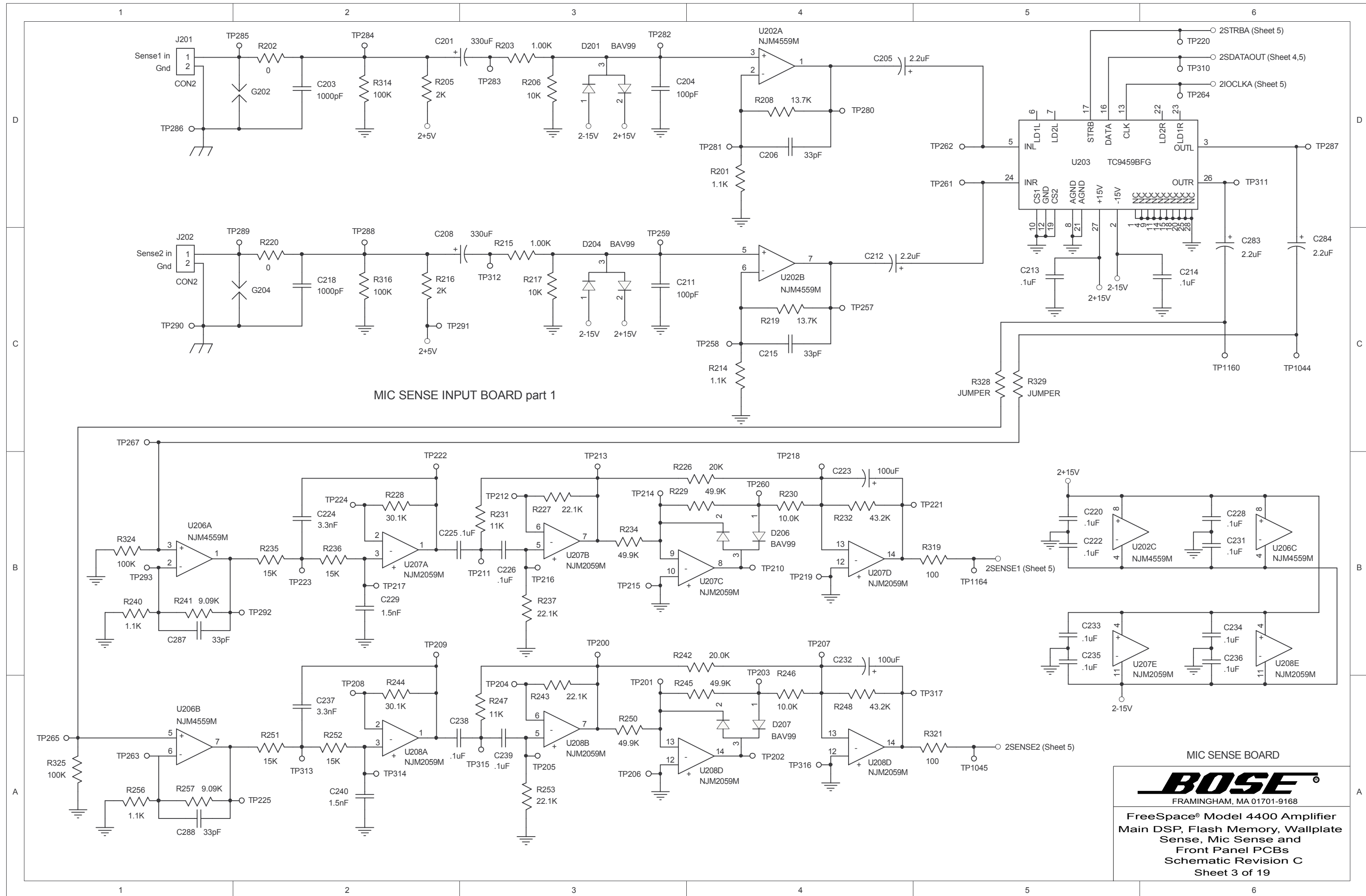
FreeSpace® Model 4400 Amplifier  
 Main DSP, Flash Memory, Wallplate  
 Sense, Mic Sense and  
 Front Panel PCBs  
 Schematic Revision C  
 Sheet 1 of 19



FRONT PANEL BOARD

**BOSE**  
FRAMINGHAM, MA 01701-9168

FreeSpace® Model 4400 Amplifier  
Main DSP, Flash Memory, Wallplate  
Sense, Mic Sense and  
Front Panel PCBs  
Schematic Revision C  
Sheet 2 of 19



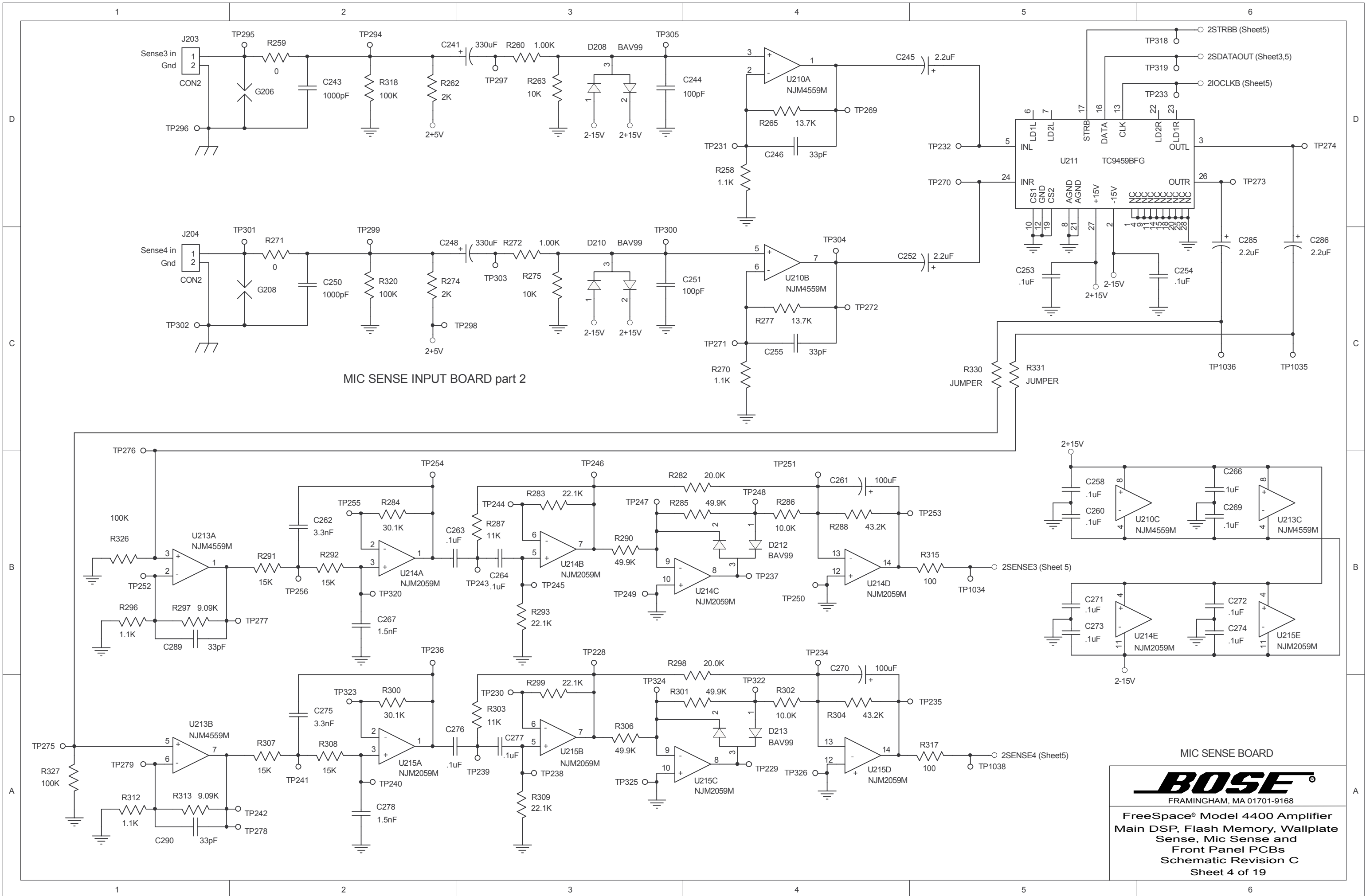
MIC SENSE INPUT BOARD part 1

MIC SENSE BOARD

**BOSE**<sup>®</sup>

FRAMINGHAM, MA 01701-9168

FreeSpace<sup>®</sup> Model 4400 Amplifier  
Main DSP, Flash Memory, Wallplate  
Sense, Mic Sense and  
Front Panel PCBs  
Schematic Revision C  
Sheet 3 of 19

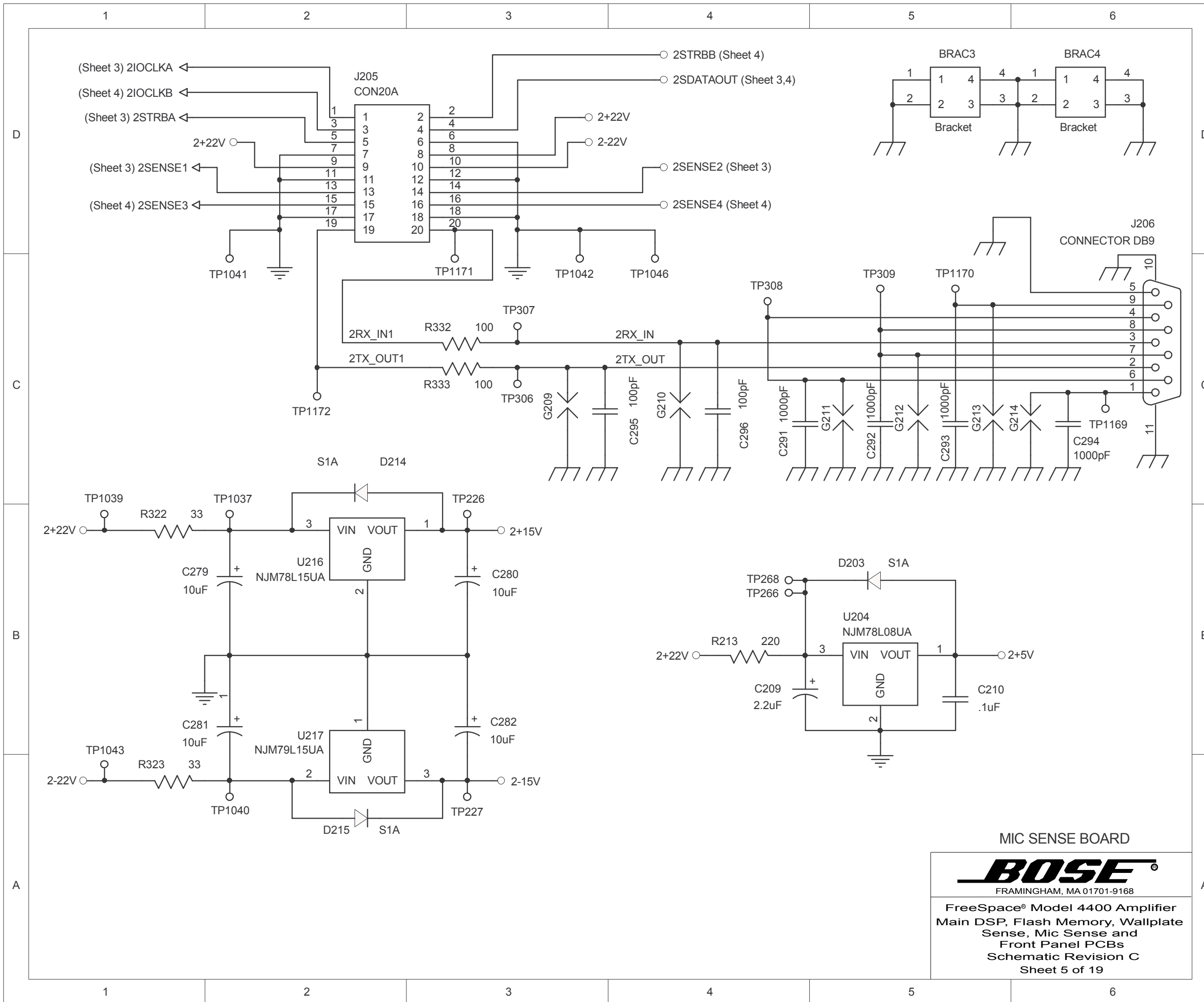


MIC SENSE INPUT BOARD part 2

MIC SENSE BOARD

**BOSE**  
FRAMINGHAM, MA 01701-9168

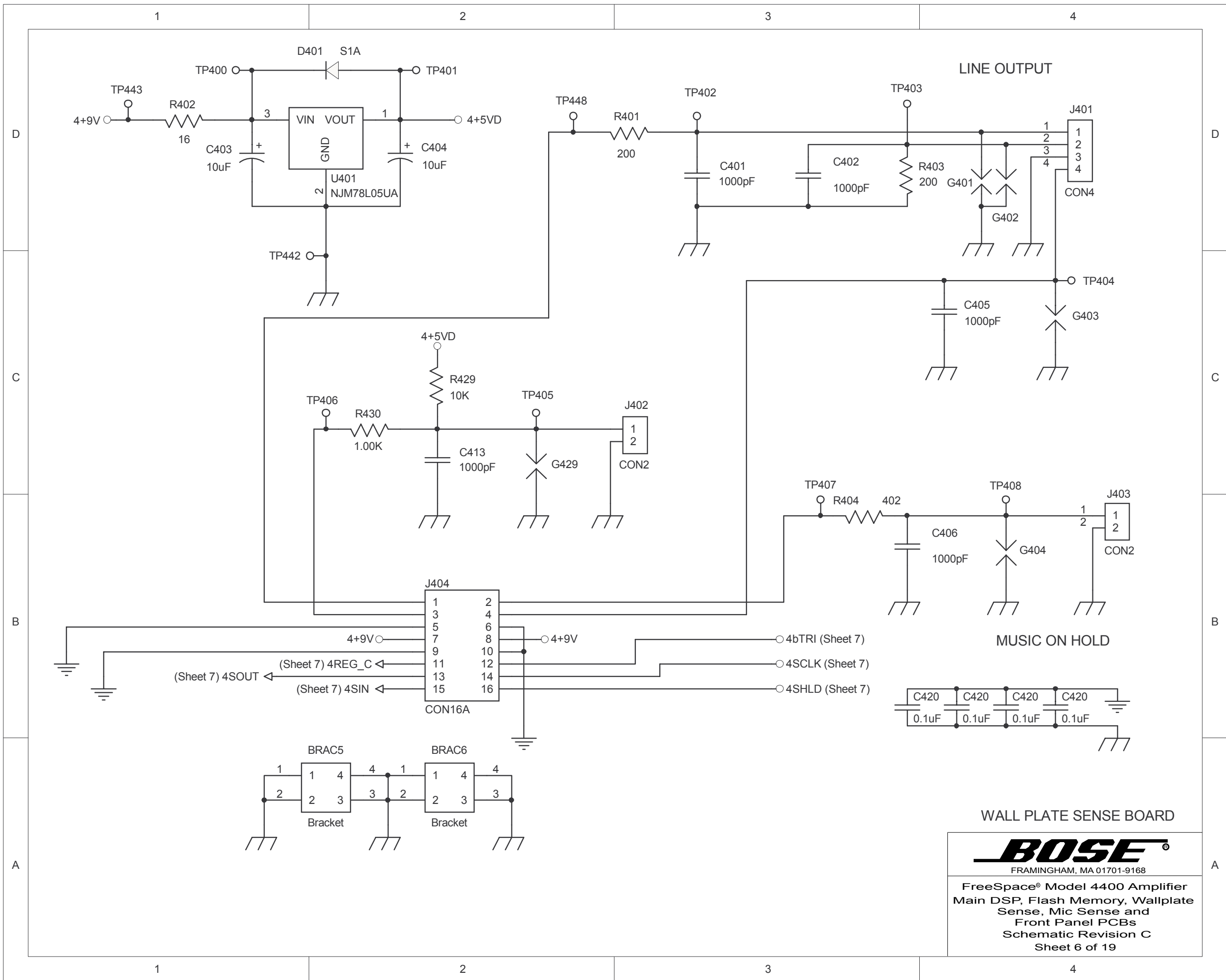
FreeSpace® Model 4400 Amplifier  
Main DSP, Flash Memory, Wallplate  
Sense, Mic Sense and  
Front Panel PCBs  
Schematic Revision C  
Sheet 4 of 19



MIC SENSE BOARD



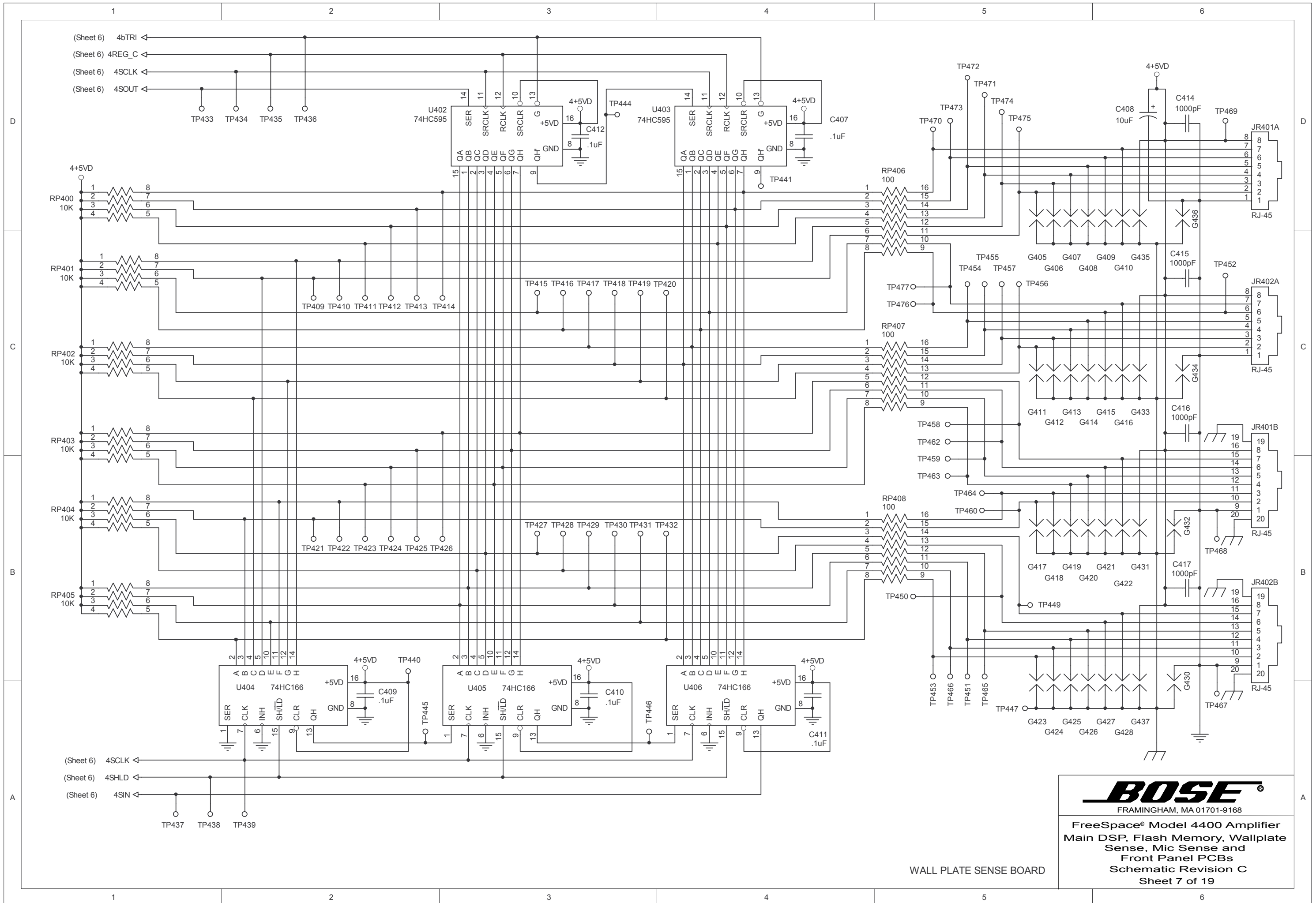
FreeSpace® Model 4400 Amplifier  
 Main DSP, Flash Memory, Wallplate  
 Sense, Mic Sense and  
 Front Panel PCBs  
 Schematic Revision C  
 Sheet 5 of 19



WALL PLATE SENSE BOARD

**BOSE**  
 FRAMINGHAM, MA 01701-9168

FreeSpace® Model 4400 Amplifier  
 Main DSP, Flash Memory, Wallplate  
 Sense, Mic Sense and  
 Front Panel PCBs  
 Schematic Revision C  
 Sheet 6 of 19

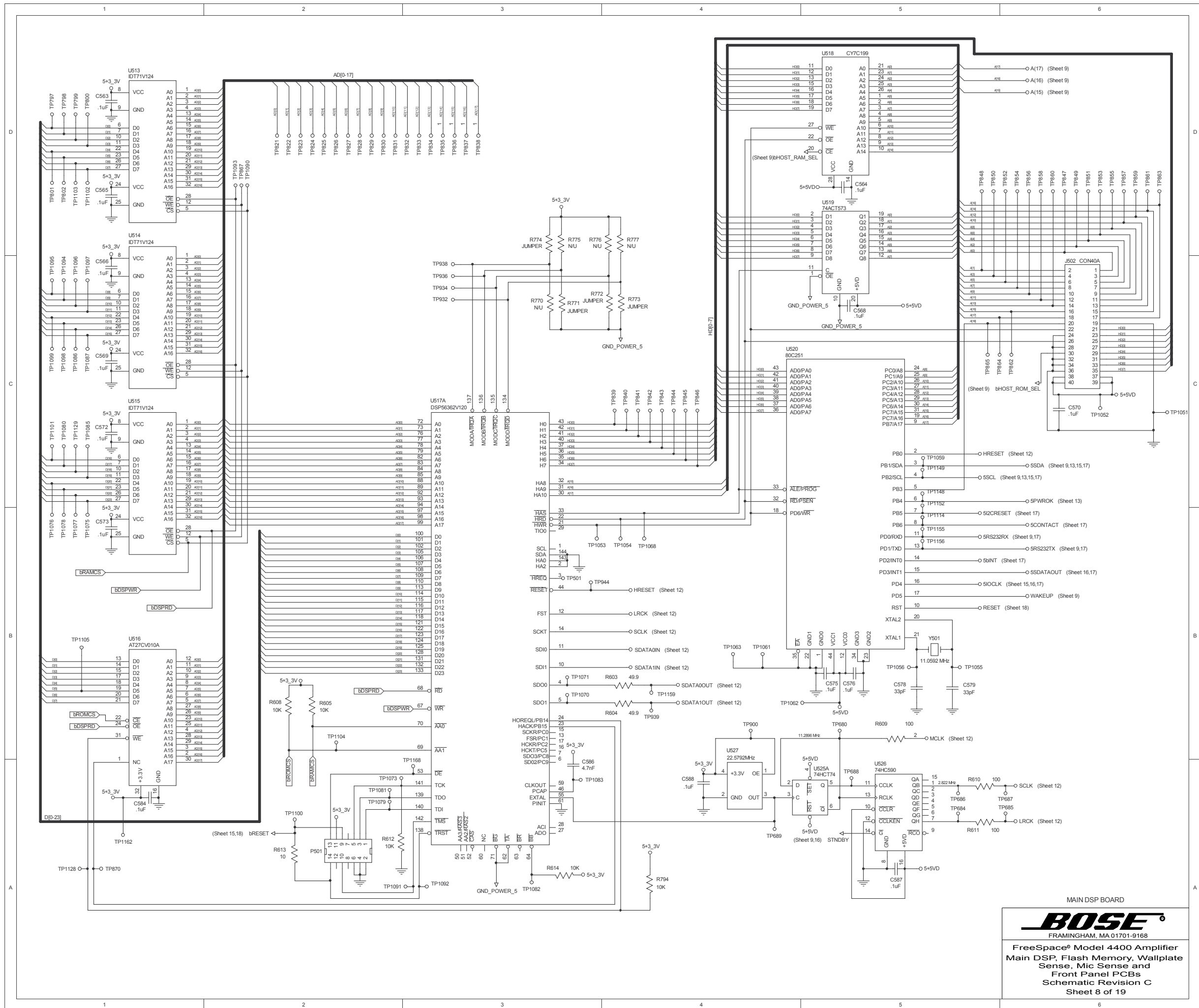


WALL PLATE SENSE BOARD

**BOSE**  
FRAMINGHAM, MA 01701-9168

**FreeSpace® Model 4400 Amplifier**  
Main DSP, Flash Memory, Wallplate  
Sense, Mic Sense and  
Front Panel PCBs  
Schematic Revision C  
Sheet 7 of 19





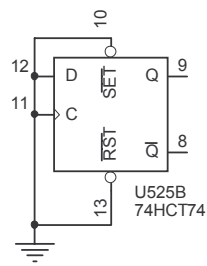
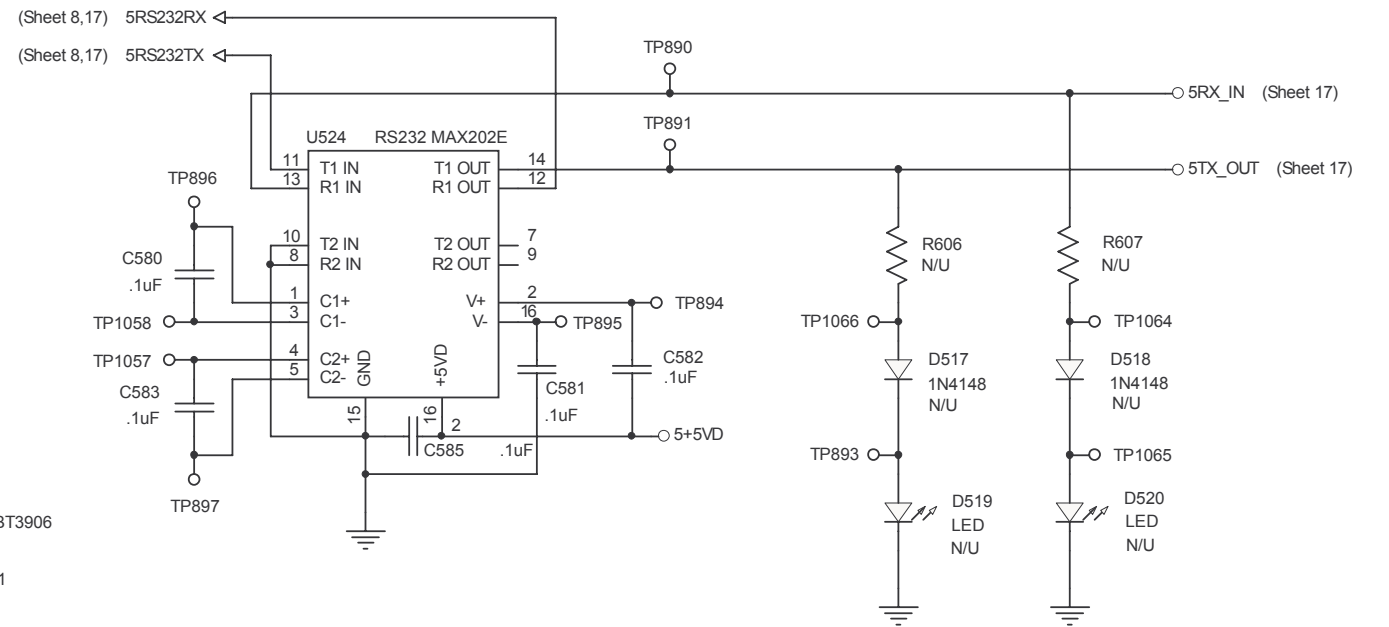
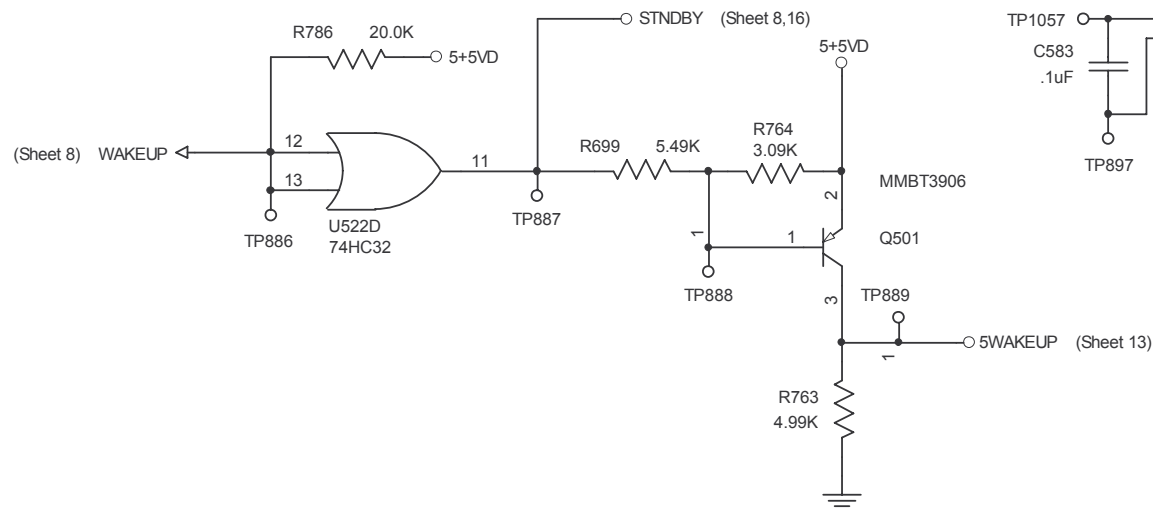
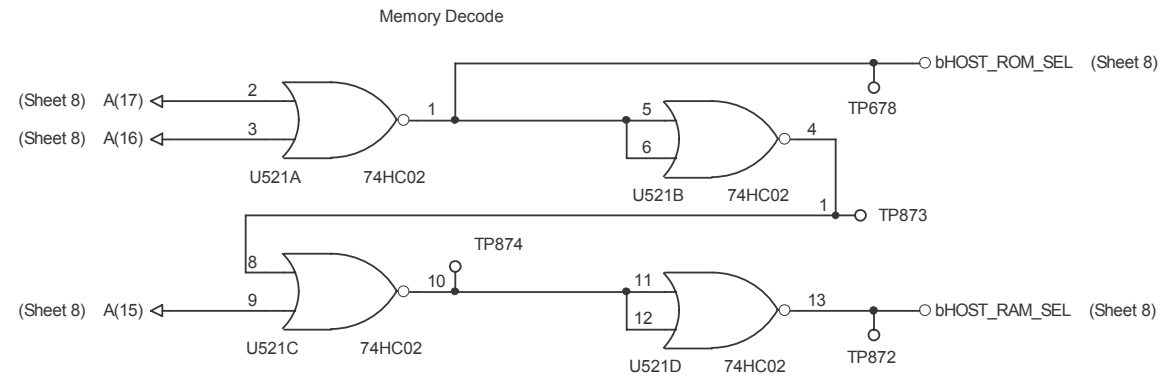
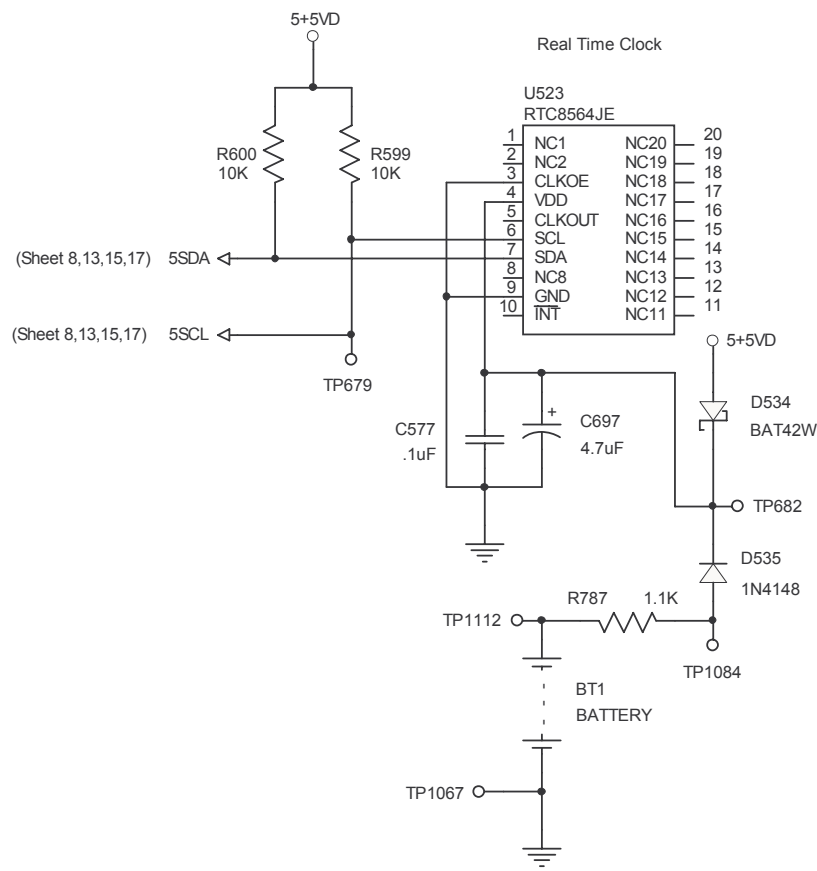
MAIN DSP BOARD  
**BOSE**  
 FRAMINGHAM, MA 01701-9168  
 FreeSpace® Model 4400 Amplifier  
 Main DSP, Flash Memory, Wallplate  
 Sense, Mic Sense and  
 Front Panel PCBs  
 Schematic Revision C  
 Sheet 8 of 19



1 2 3 4 5 6

D  
C  
B  
A

D  
C  
B  
A



1 2 3 4 5 6

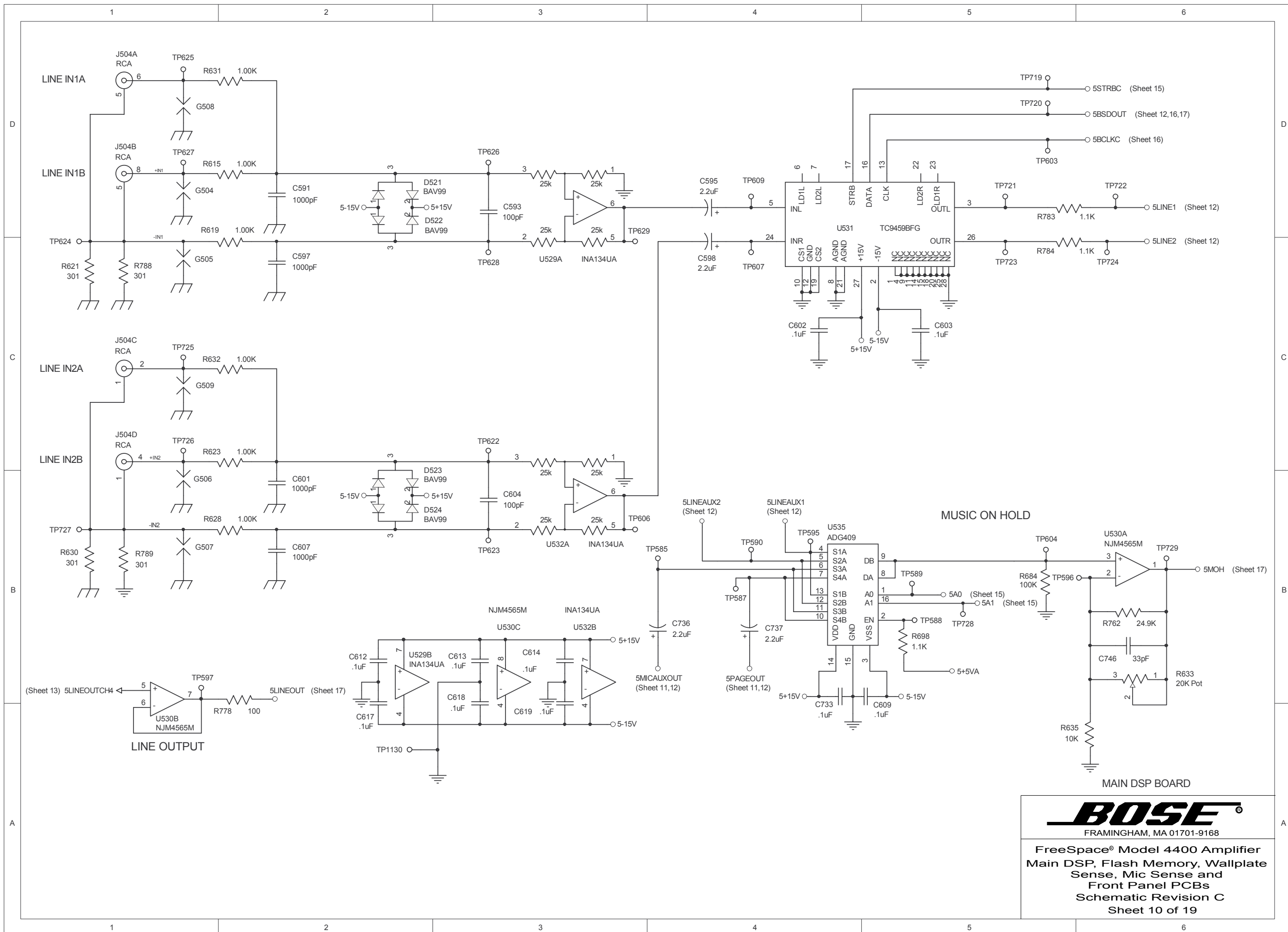
MAIN DSP BOARD




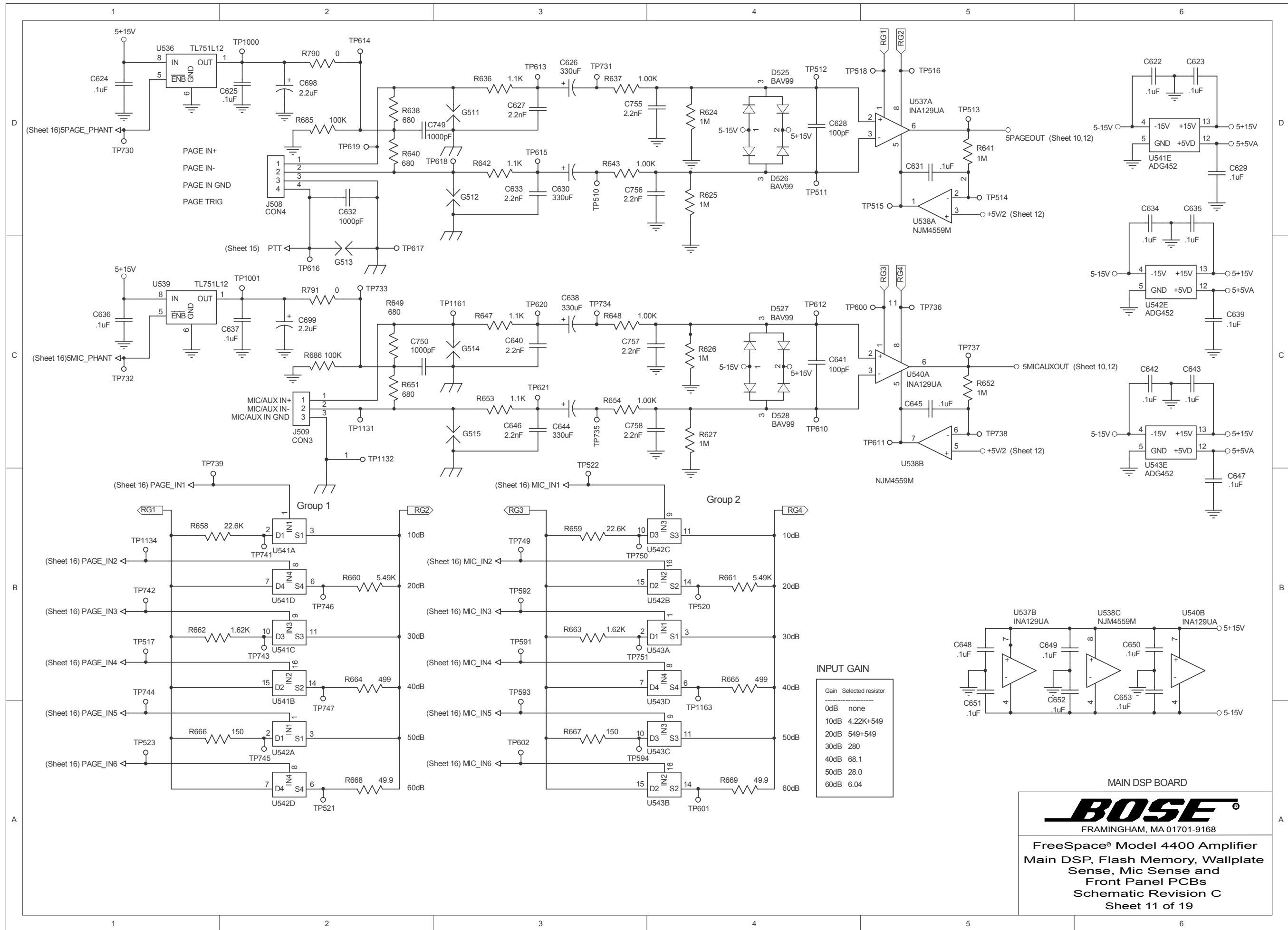
FRAMINGHAM, MA 01701-9168

FreeSpace® Model 4400 Amplifier  
Main DSP, Flash Memory, Wallplate  
Sense, Mic Sense and  
Front Panel PCBs  
Schematic Revision C

Sheet 9 of 19

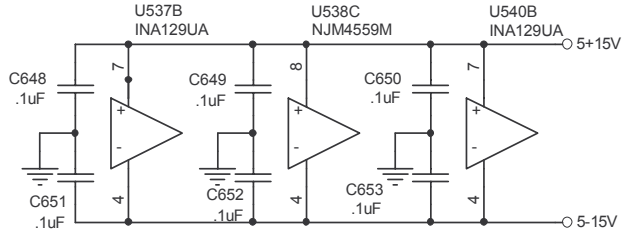


  
 FRAMINGHAM, MA 01701-9168  
**FreeSpace® Model 4400 Amplifier**  
 Main DSP, Flash Memory, Wallplate  
 Sense, Mic Sense and  
 Front Panel PCBs  
 Schematic Revision C  
 Sheet 10 of 19



**INPUT GAIN**

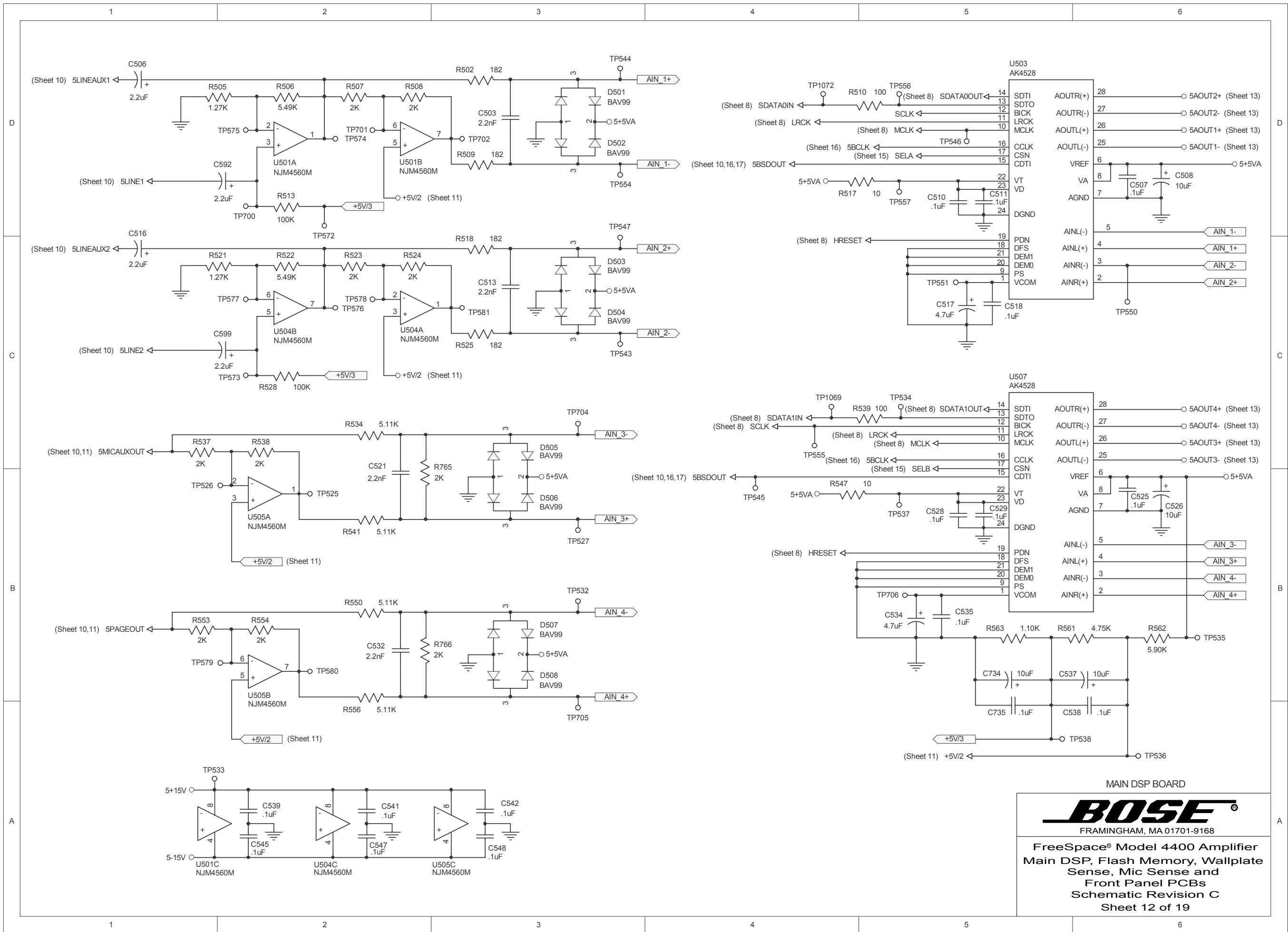
Gain	Selected resistor
0dB	none
10dB	4.22K+549
20dB	549+549
30dB	280
40dB	68.1
50dB	28.0
60dB	6.04



MAIN DSP BOARD

**BOSE**<sup>®</sup>  
FRAMINGHAM, MA 01701-9168

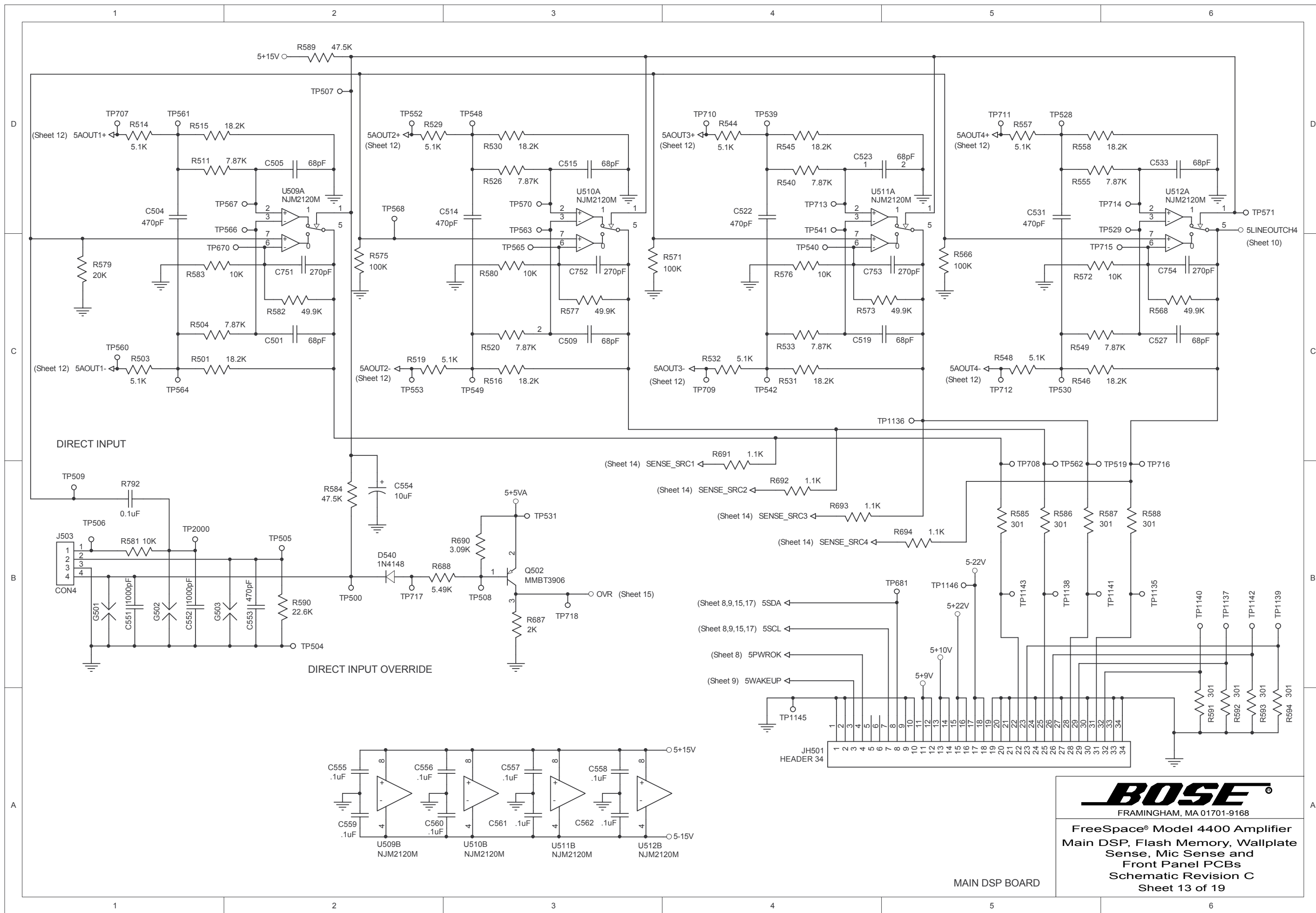
FreeSpace<sup>®</sup> Model 4400 Amplifier  
Main DSP, Flash Memory, Wallplate  
Sense, Mic Sense and  
Front Panel PCBs  
Schematic Revision C  
Sheet 11 of 19



MAIN DSP BOARD

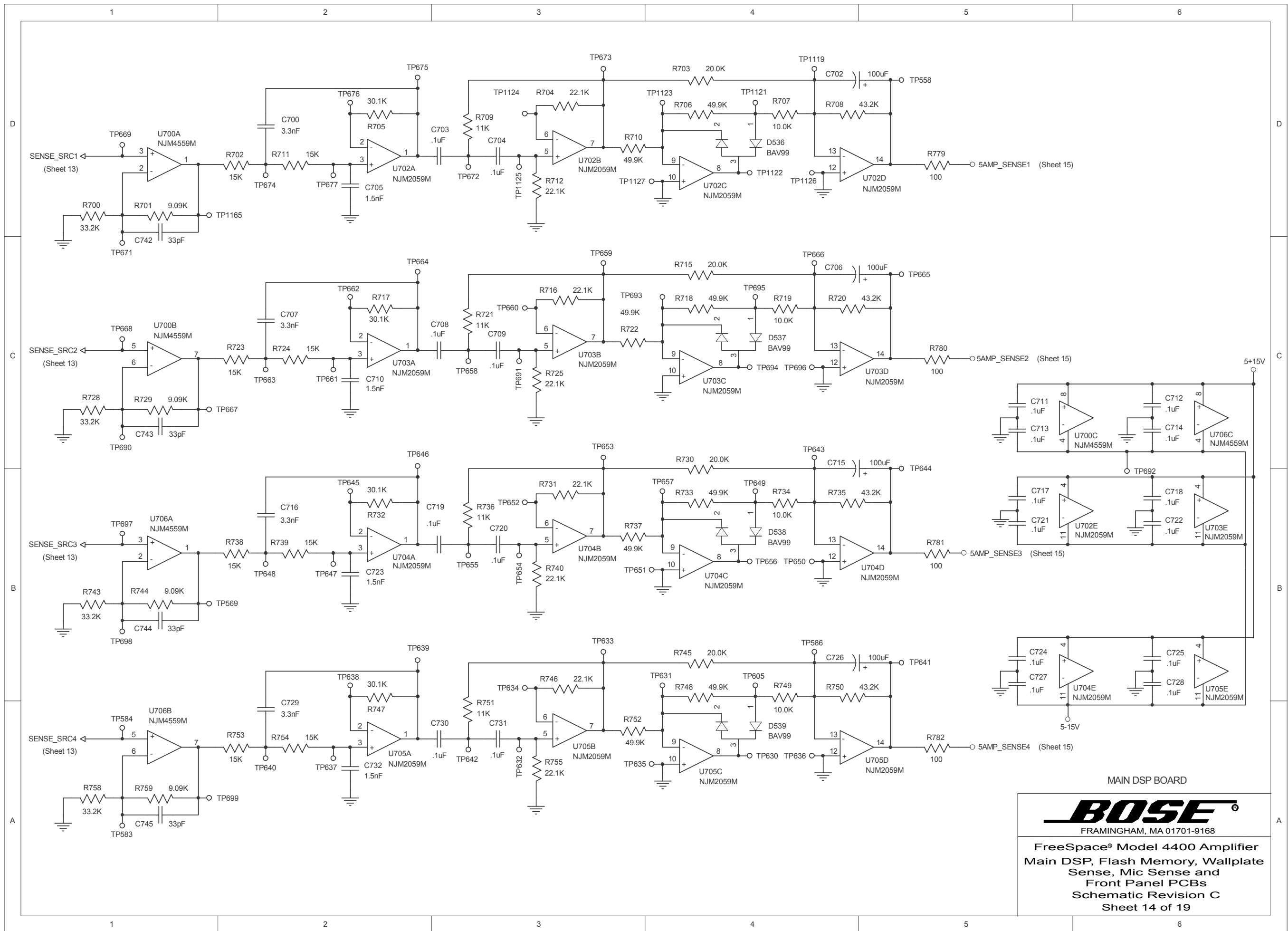
**BOSE**  
FRAMINGHAM, MA 01701-9168

FreeSpace® Model 4400 Amplifier  
Main DSP, Flash Memory, Wallplate  
Sense, Mic Sense and  
Front Panel PCBs  
Schematic Revision C  
Sheet 12 of 19



**FreeSpace® Model 4400 Amplifier**  
Main DSP, Flash Memory, Wallplate  
Sense, Mic Sense and  
Front Panel PCBs  
Schematic Revision C  
Sheet 13 of 19

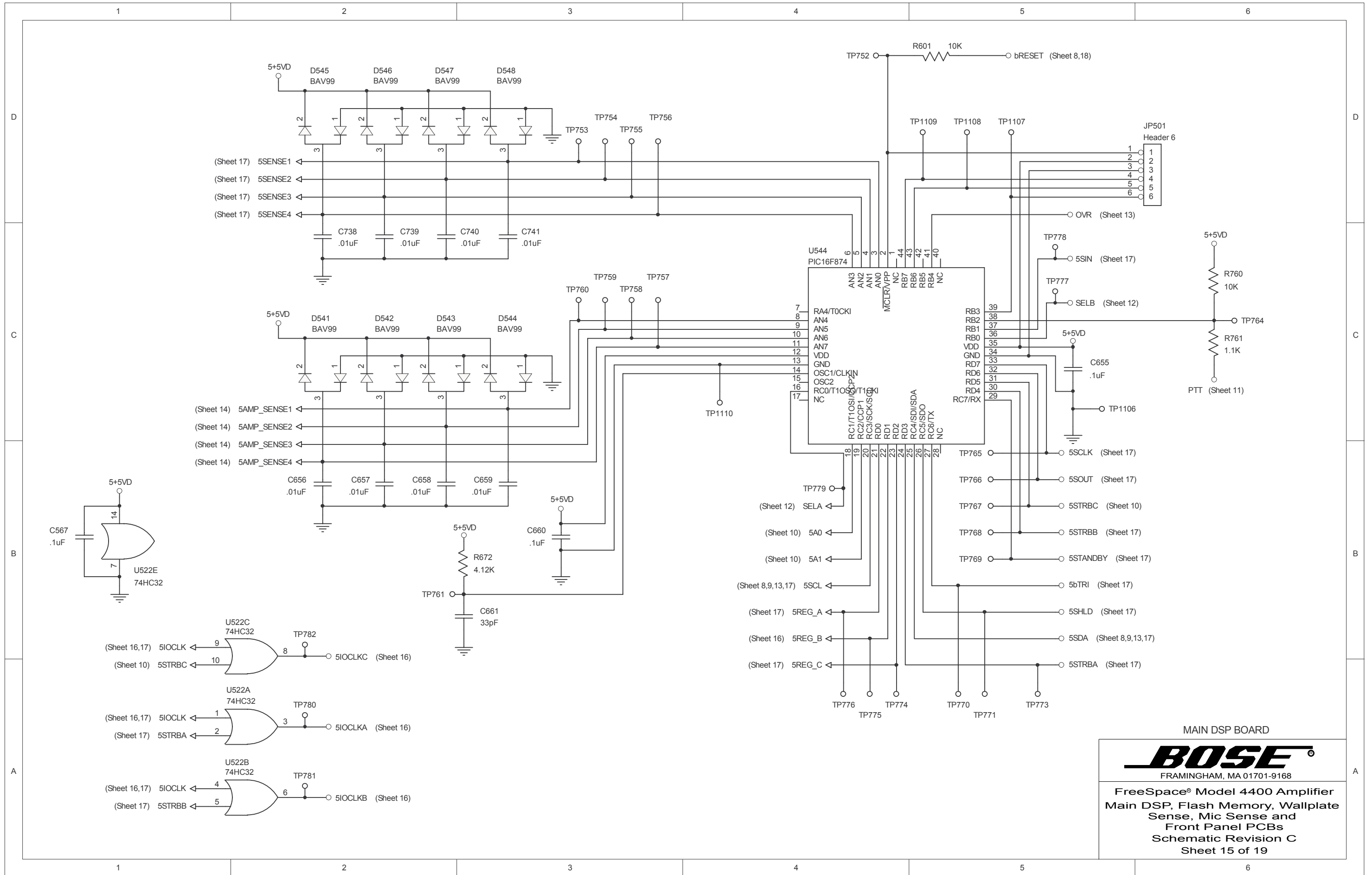
MAIN DSP BOARD



MAIN DSP BOARD

**BOSE**  
FRAMINGHAM, MA 01701-9168

FreeSpace® Model 4400 Amplifier  
Main DSP, Flash Memory, Wallplate  
Sense, Mic Sense and  
Front Panel PCBs  
Schematic Revision C  
Sheet 14 of 19



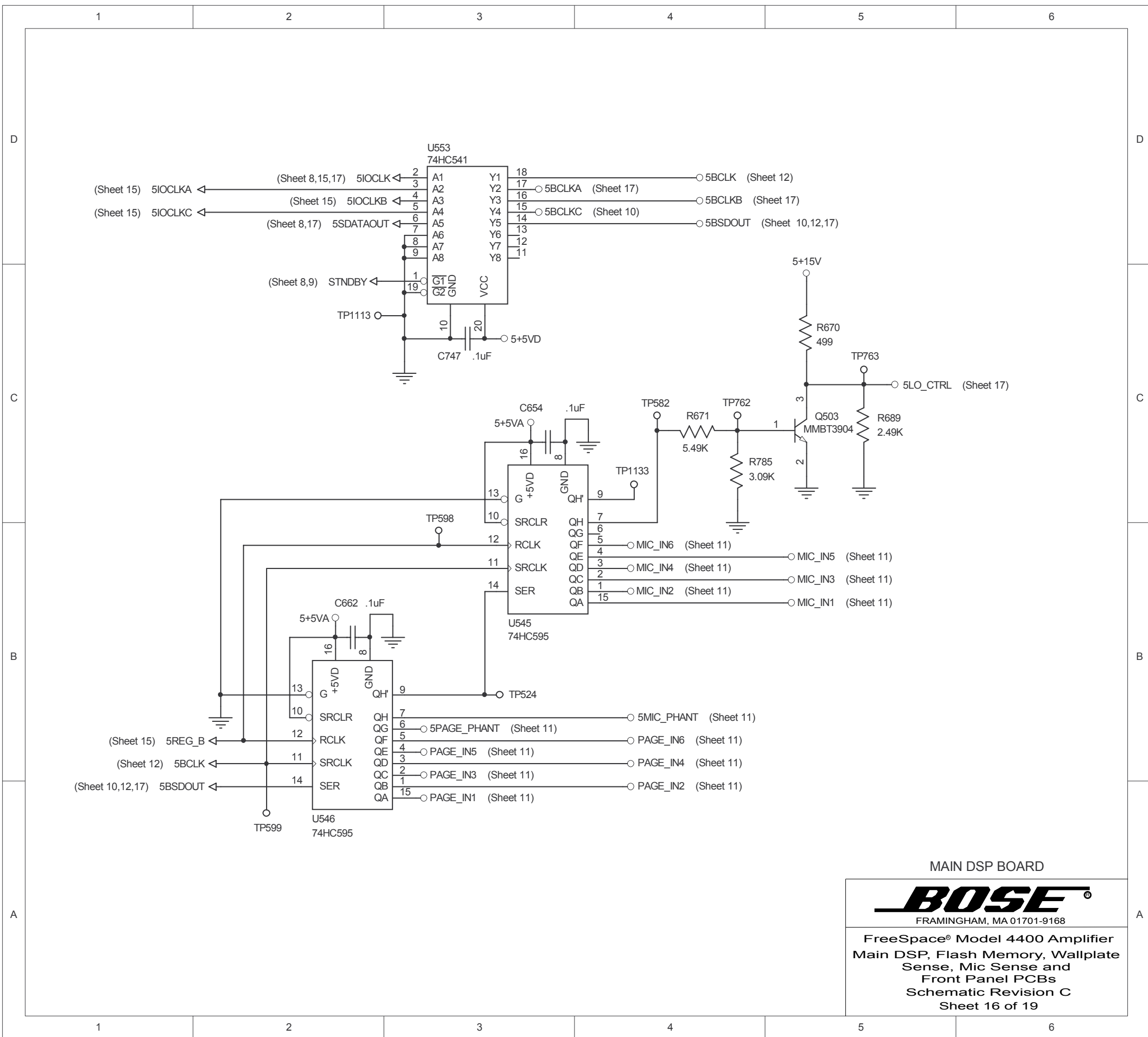
MAIN DSP BOARD

**BOSE**<sup>®</sup>

FRAMINGHAM, MA 01701-9168

FreeSpace<sup>®</sup> Model 4400 Amplifier  
Main DSP, Flash Memory, Wallplate  
Sense, Mic Sense and  
Front Panel PCBs  
Schematic Revision C  
Sheet 15 of 19

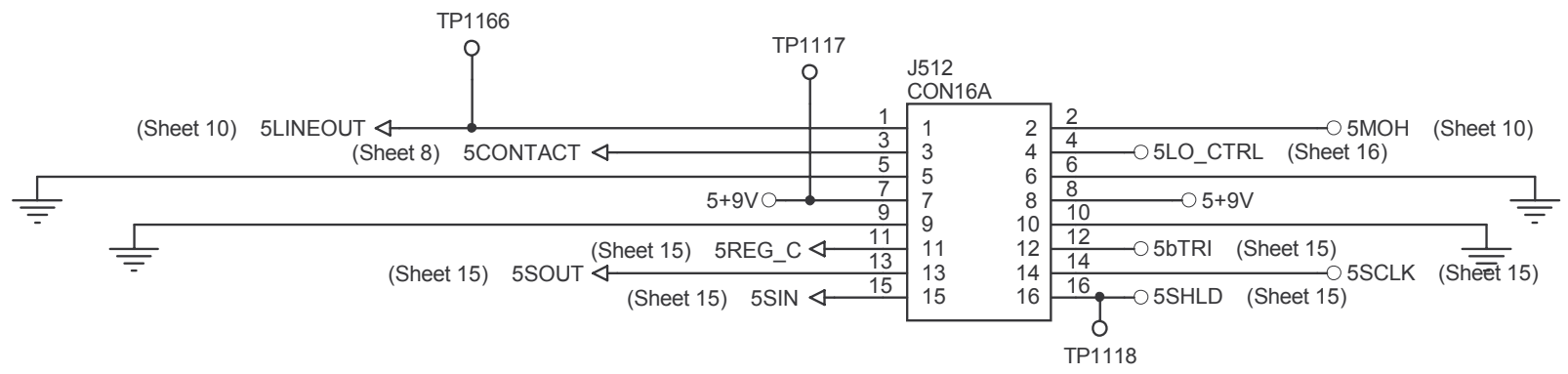
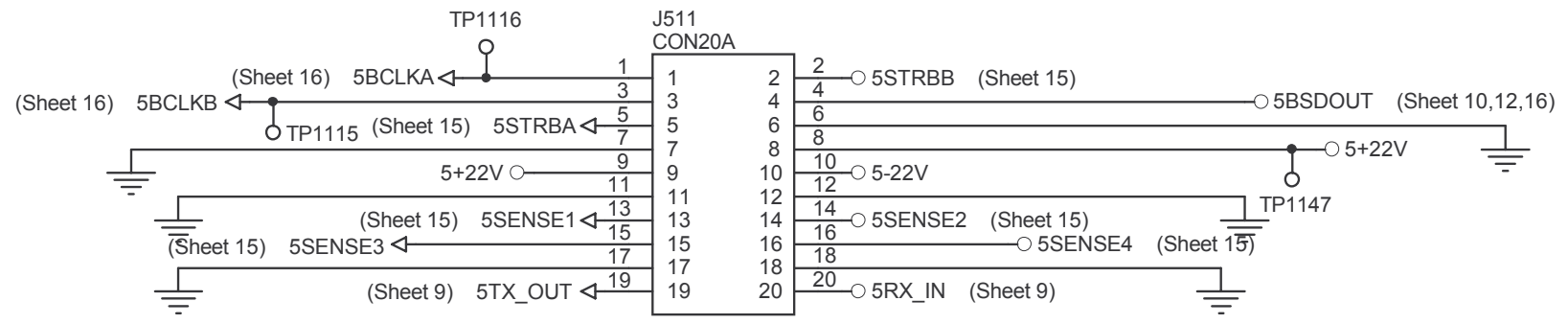
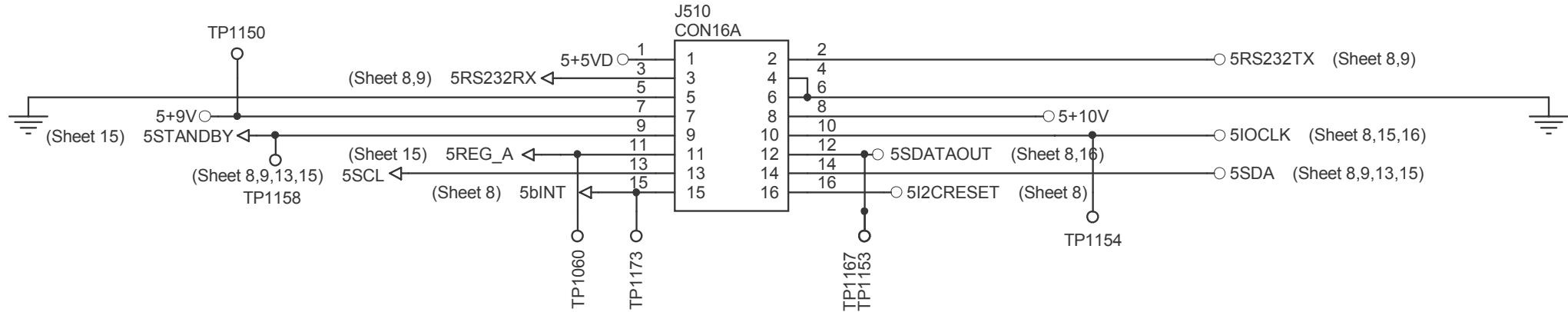




MAIN DSP BOARD



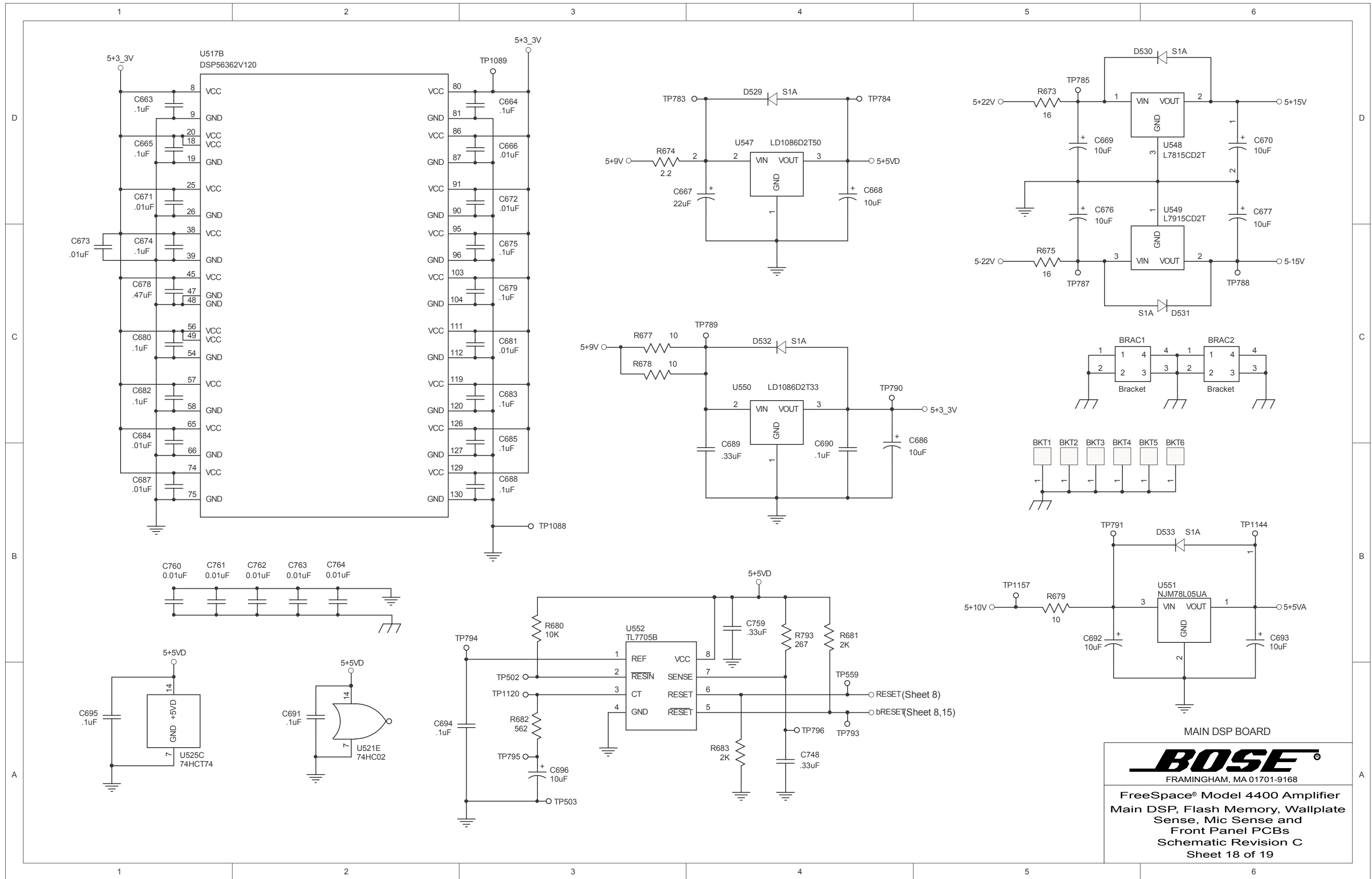
FreeSpace® Model 4400 Amplifier  
 Main DSP, Flash Memory, Wallplate  
 Sense, Mic Sense and  
 Front Panel PCBs  
 Schematic Revision C  
 Sheet 16 of 19



MAIN DSP BOARD

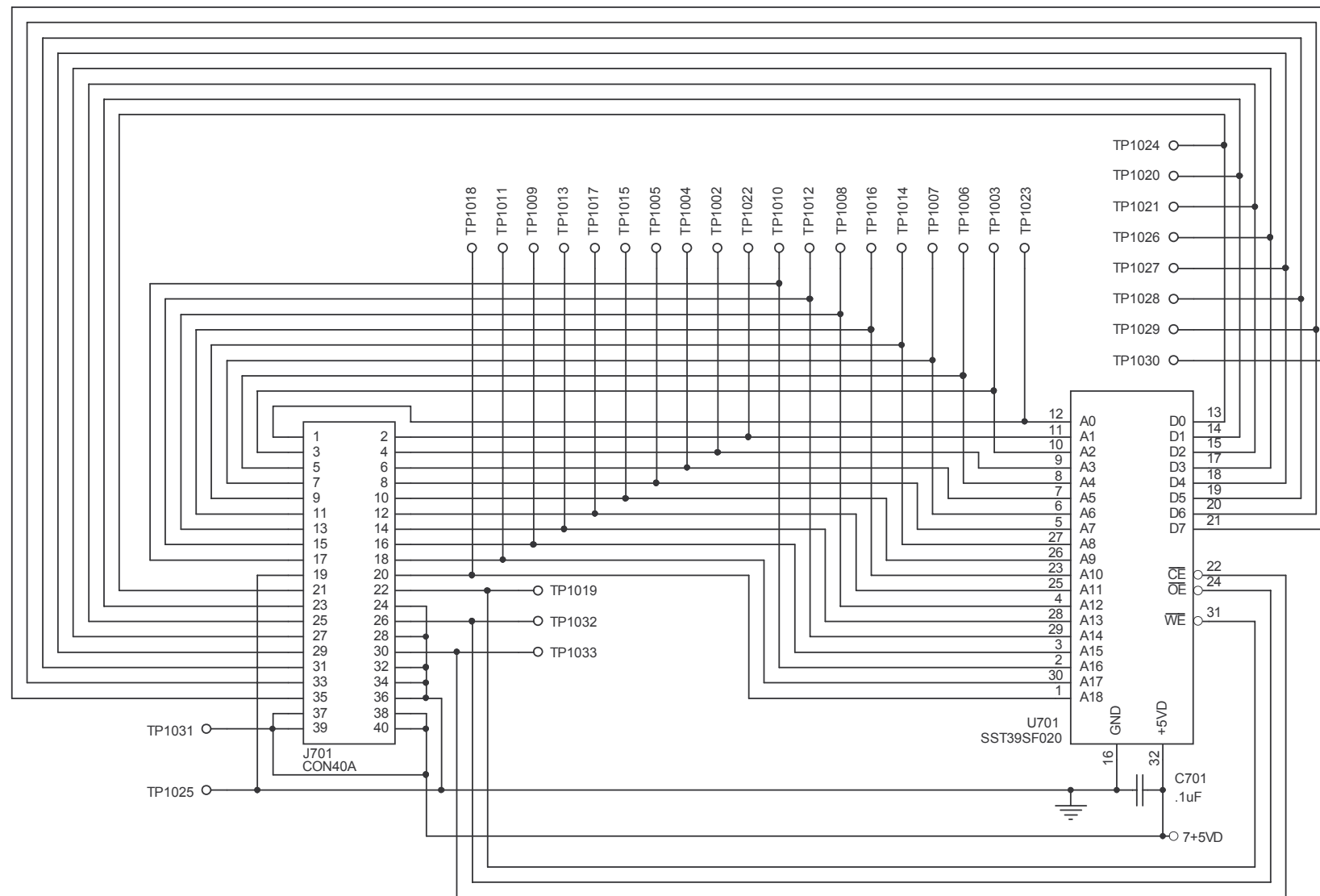


FreeSpace® Model 4400 Amplifier  
 Main DSP, Flash Memory, Wallplate  
 Sense, Mic Sense and  
 Front Panel PCBs  
 Schematic Revision C  
 Sheet 17 of 19



**BOSE**  
FRAMINGHAM, MA 01701-9168

**FreeSpace® Model 4400 Amplifier**  
Main DSP, Flash Memory, Wallplate  
Sense, Mic Sense and  
Front Panel PCBs  
Schematic Revision C  
Sheet 18 of 19



MAIN DSP BOARD



FreeSpace® Model 4400 Amplifier  
 Main DSP, Flash Memory, Wallplate  
 Sense, Mic Sense and  
 Front Panel PCBs  
 Schematic Revision C  
 Sheet 19 of 19