

SERVICE BULLETIN



Bulletin Part Number: 787930-B1

Product: S1 Pro

Subject: Battery Drain Rework

Disposition: Perform this modification to units returned with this customer complaint.

Symptom: The Battery may drain when the S1 Pro is unplugged from AC Mains.

Reason: Q31 is defective.

Solution: For all units that come into repair for the above symptom, perform the following modification.

Refer to the disassembly procedure located in the S1 Pro service manual, page 28, 6.2, Figure 19.

1. Remove the battery if installed.
2. Remove C601.
3. Replace: Q31 MOSFET, part number: 847949-0010.
4. Replace R303 with a 27K OHM, part number: 801703-2702F.
5. Replace R305 with a 47K OHM, part number: 801703-4702F.
6. Install C182 across pins 3 and 4 shown in figure 1, 1.0uF, 50V capacitor, part number: 770764-105K1H .
Figure 2 shows the rework schematic.

NOTE: The Main PCB does not need to be removed from the I/O panel to perform this procedure.

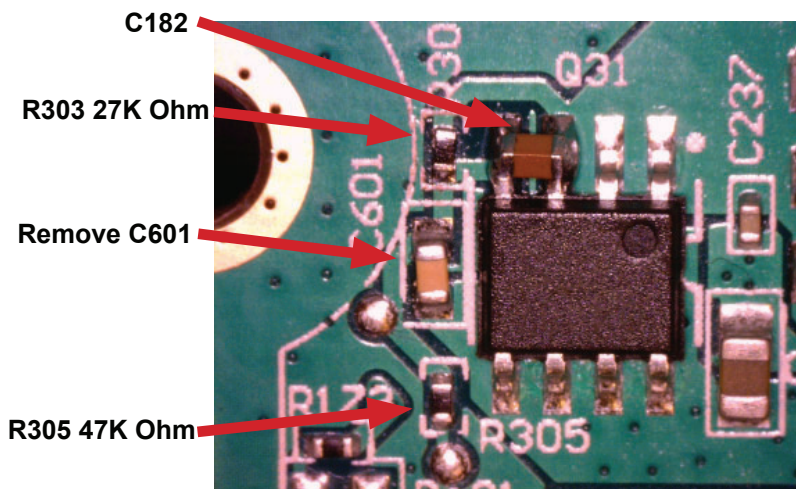


Figure 1

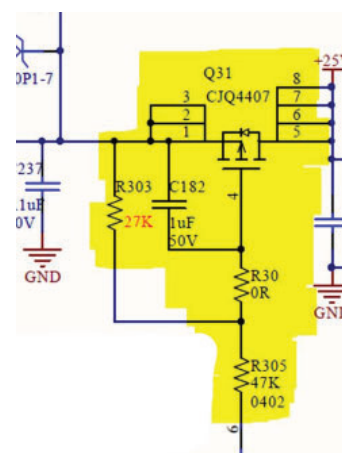


Figure 2

Date Issued: 11/2019