

SERVICE BULLETIN



Bulletin Part Number:

787930-B2 Product: S1 Pro

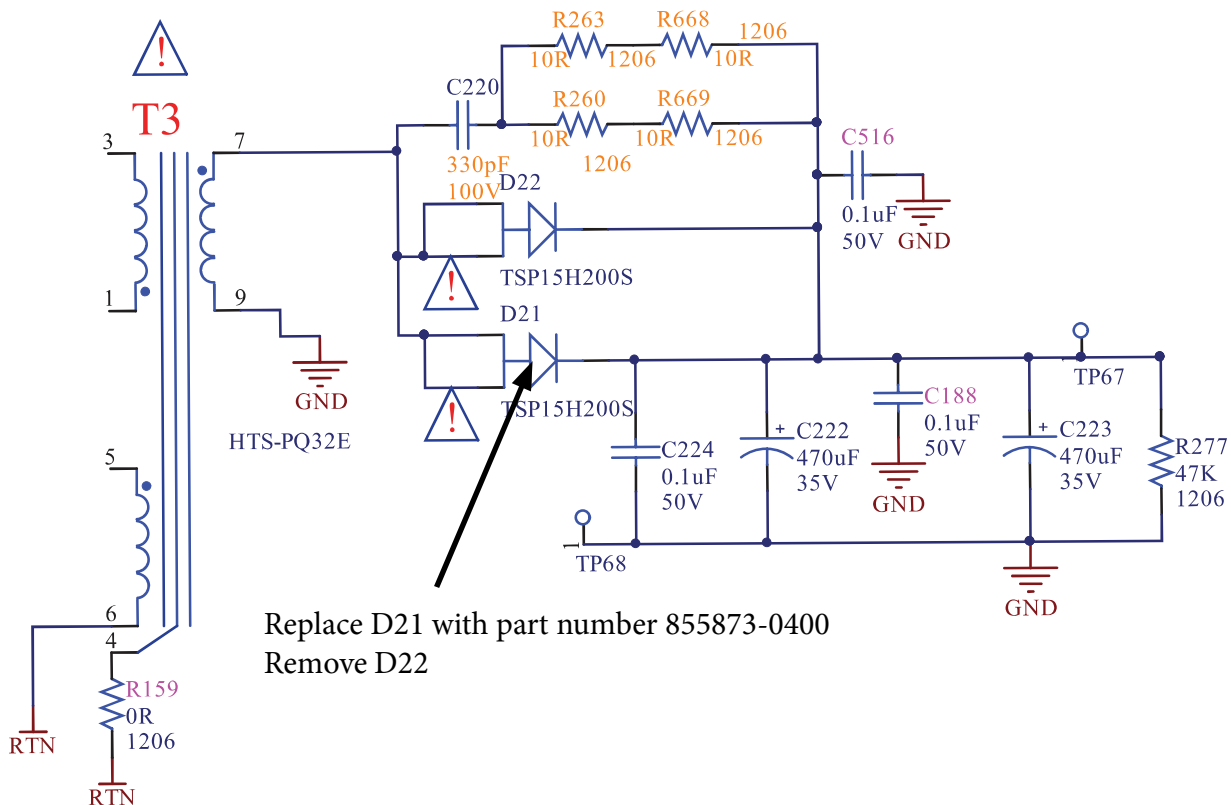
Subject: No power and preventative rework

Disposition: All 220/240V S1 Pro units built before January 2020 require this preventative rework. If the product has a metal battery cover, it was built prior to January 2020. If it has a plastic cover, it was built after January 2020.

Symptom: A no power symptom can occur with D21 and D22 becoming shorted causing damage to other areas of the power supply. This preventative rework should be done regardless of symptom.

Reason: Improved power rating for D21.

Solution: Replace D21 with Bose part number 855873-0400 and remove D22 on the SMPS section of the Main PCB.



Date Issued: 07/2020