

RoomMatch[®] Utility Loudspeakers



Note: Use this Service manual for RMU208 speakers built after 12/6/2014.

CONTENTS

Specifications	3-4
Product Description	5
Part List Notes	5
Packing List, RoomMatch® RMU208 Utility Loudspeaker (see Figure 1)	6
Figure 1. RoomMatch Loudspeaker Packaging View	6
Main Part List, RoomMatch RMU208 Utility Loudspeaker (see Figure 2)	7
Figure 2. RoomMatch Loudspeaker Exploded View	7
RMU208 Electrical Parts List	8
Packing List, RoomMatch RMU206 Utility Loudspeaker (see Figure 3)	9
Figure 3. RoomMatch Loudspeaker Packaging View	9
Main Part List, RoomMatch RMU206 Utility Loudspeaker (see Figure 4)	10
Figure 4. RoomMatch Loudspeaker Exploded View	10
RMU 206 Electrical Parts List	11
Packing List, RoomMatch RMU108 Utility Loudspeaker (see Figure 5)	12
Figure 5. RoomMatch Loudspeaker Packaging View	12
Main Part List, RoomMatch RMU108 Utility Loudspeaker (see Figure 6)	13
Figure 6. RoomMatch Loudspeaker Exploded View	13
RMU108 Electrical Parts List	14
Packing List, RoomMatch RMU105 Utility Loudspeaker (see Figure 7)	15
Figure 7. RoomMatch Loudspeaker Packaging View	15
Main Part List, RoomMatch RMU105 Utility Loudspeaker (see Figure 8)	16
Figure 8. RoomMatch Loudspeaker Exploded View	16
RMU108 Electrical Parts List	17
Disassembly Procedures	18
Test Procedures	19
RoomMatch RMU Wiring Diagram	20-26
Service Manual Revision History	27

CAUTION: The Bose® RoomMatch Utility Loudspeaker contains no user-serviceable parts. To prevent warranty infractions, refer servicing to warranty service stations or factory service.

WARRANTY INFORMATION

The Bose RoomMatch Utility Loudspeaker is covered by a 5-year transferable limited warranty.

PROPRIETARY INFORMATION

THIS DOCUMENT CONTAINS PROPRIETARY INFORMATION OF BOSE CORPORATION WHICH IS BEING FURNISHED ONLY FOR THE PURPOSE OF SERVICING THE IDENTIFIED BOSE PRODUCT BY AN AUTHORIZED BOSE SERVICE CENTER, AND SHALL NOT BE REPRODUCED OR USED FOR ANY OTHER PURPOSE.

SPECIFICATIONS

RMU 208

MECHANICAL

External dimensions, single speaker:	9.3"H x 27.9"W x 10.5"D (23.6 cm H x 68.58cm W x 26.67cm D)
System weight, unpackaged single speaker:	37 lbs (16.78 Kg)

ELECTRICAL

Transducers:	Two 8 inch woofer drivers and one 50mm compression driver
Calculated Max SPL @ 1m. peak (3)	127 dB
Long-Term Power Handling (2)	400 watts
Coverage Pattern, Horizontal:	90° (rotatable)
Coverage Pattern, Vertical:	60° (rotatable)
Frequency Range:	70 Hz - 16 kHz (+/- 3dB)
Nominal Impedance	8 ohms (70V/100V optional)

RMU 206

MECHANICAL

External dimensions, single speaker:	7"H x 19"W x 9"D (17.78 cm H x 48.26 cm W x 22.86cm D)
System weight, unpackaged single speaker:	25 lbs (11.33 Kg)

ELECTRICAL

Transducers:	Two 6.5 inch woofer drivers and one 50mm compression driver
Calculated Max SPL @ 1m. peak (3)	122 dB
Long-Term Power Handling (2)	250 watts
Coverage Pattern, Horizontal:	120° (rotatable)
Coverage Pattern, Vertical:	60° (rotatable)
Frequency Range:	80 Hz - 16 kHz (+/- 3dB)
Nominal Impedance	8 ohms (70V/100V optional)

SPECIFICATIONS

Continued

RMU 108

MECHANICAL

External dimensions, single speaker:	9.3"H x 18.5"W x 10.5"D (23.6 cm H x 46.99 cm W x 26.67cm D)
System weight, unpackaged single speaker:	21 lbs (9.52 Kg)

ELECTRICAL

Transducers:	One 8 inch woofer drivers and one 50mm compression driver
Calculated Max SPL @ 1m. peak (3)	121 dB
Long-Term Power Handling (2)	250 watts
Coverage Pattern, Horizontal:	90° (rotatable)
Coverage Pattern, Vertical:	60° (rotatable)
Frequency Range:	80 Hz - 16 kHz (+/- 3dB)
Nominal Impedance	8 ohms (70V/100V optional)

RMU 105

MECHANICAL

External dimensions, single speaker:	6"H x 12"W x 7.5"D (15.24 cm H x 30.48 cm W x 19.05 cm D)
System weight, unpackaged single speaker:	12 lbs (5.44 Kg)

ELECTRICAL


Transducers:	Two 5.25 inch woofer drivers and one 50mm compression driver
Calculated Max SPL @ 1m. peak (3)	118 dB
Long-Term Power Handling (2)	150 watts
Coverage Pattern, Horizontal:	100°
Coverage Pattern, Vertical:	100°
Frequency Range:	90 Hz - 16 kHz (+/- 3dB)
Nominal Impedance	8 ohms (70V/100V optional)

PRODUCT DESCRIPTION

Bose® RoomMatch® Utility loudspeakers bring the award-winning sound quality of RoomMatch arrays to smaller, 2-way, point-source designs, by using the same Bose EMB2 compression driver, for consistent mid/high sonic character. RoomMatch Utility loudspeakers are intended for high-quality foreground music, under-balcony, zone-fill, and vocal-range floor monitor applications. All models feature high-quality plywood construction suitable for the highest aesthetic requirements and install easily with either horizontal or vertical mounting.

Material Number	Description
638421-0110	ROOMMATCH UTILITY RMU105 SINGLE-5 100X100 BLK
638421-0210	ROOMMATCH UTILITY RMU105 SINGLE-5 100X100 WHT
638349-0110	ROOMMATCH UTILITY RMU108 SINGLE-8 90X60 BLK
638349-0210	ROOMMATCH UTILITY RMU108 SINGLE-8 90X60 WHT
638392-0110	ROOMMATCH UTILITY RMU206 DUAL-6 120X60 BLK
638392-0210	ROOMMATCH UTILITY RMU206 DUAL-6 120X60 WHT
371836-0120	ROOMMATCH UTILITY RMU208 DUAL-8 BLK
371836-0220	ROOMMATCH UTILITY RMU208 DUAL-8 WHT

PART LIST NOTES

1. The individual parts located on the PCBs are listed in the Electrical Part List.
2. This part is referenced for informational purposes only. It is not stocked as a repair part. Refer to the next higher assembly for a replacement part.
3.  This part is critical for safety purposes. Failure to use a substitute replacement with the same safety characteristics as the recommended replacement part might create shock, fire and/or other hazards.

PACKING LIST

RoomMatch® RMU208 Utility Loudspeaker (see Figure 1)

Item Number	Description	Part Number	Qty	Note
1	CARTON, RMU208 UTILITY MODULE	371847-0010	1	
2	SUPPORT, CORNER, CARDBOARD #1	373752-0010	4	
3	PACKING, FOAM, PE, NO.1	371848-0010	2	
4	SUPPORT, CORNER, CARDBOARD #2	373752-0020	4	
5	GUIDE, INSTALL, RMU208	627049-0010	1	⚠
6	SCREW, M8X1.25, 25 LG, FLNGD HH, BLK	373847-0110	4	
	SCREW, M8X1.25, 25 LG, FLNGD HH, WHT	373847-0210	4	
7	WASHER, RUBBER, BLACK	373234-0110	2	

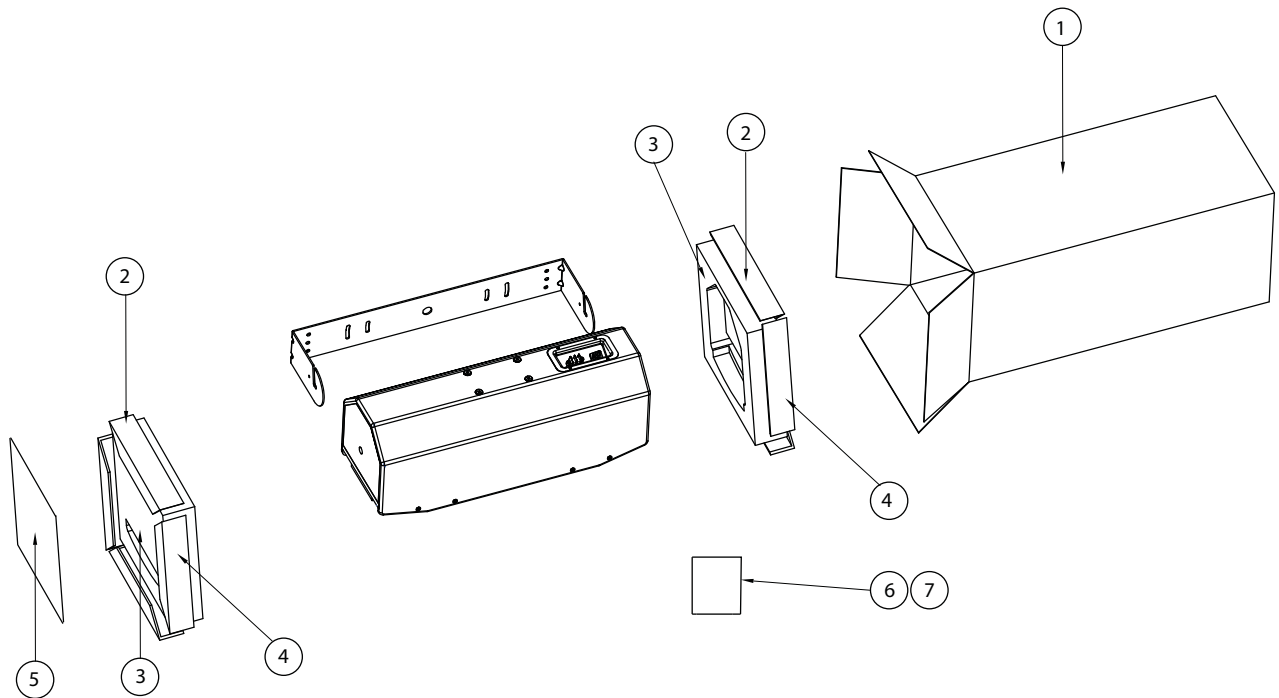


Figure 1. RoomMatch RMU208

MAIN PART LIST

RoomMatch® RMU208 Utility(see Figure 2)

Item Number	Description	Part Number	Qty	Note
1	ENCLOSURE	-	1	
2	WOOFER ASSEMBLY (WITH GASKET)	373753-011S	2	
3	COMPRESSION DRIVER	342658-0010	1	
4	90X60 HORN	-	1	
5	CROSSOVER, PCB ASSY, COMPRESSION DRIVER	371840-001S	1	
6	CROSSOVER, PCB ASSY, WOOFER 1	371838-001S	1	
7	CROSSOVER, PCB ASSY, WOOFER 2	371839-001S	1	
8	BASS GRILLS (SCREWS, FOAM GASKET)	374460-011S	2	
9	HORN GRILL (SCREWS, FOAM GASKET)	374459-011S	1	
10	LOGO KIT BLK (LOGO, SPRING, CLIP, GASKET, WASHER)	638372-011S	1	
	LOGO KIT WHT (LOGO, SPRING, CLIP, GASKET, WASHER)	638372-021S		
11	INPUT PANEL ASSY	371844-011S	1	
	PANEL, I/O, RMU208, (BUILT AFTER 12/6/2014)	371844-012S		
12	PLASTIC INSERTS	373754-0110	6	
13	BRACKET, MOUNT, RMU208, SVCE	371846-011S	1	
	BRACKET, MOUNT, RMU208, WHT, SVC	371846-022S		
-	ONE PIECE GRILLE KIT, RMU208-II, BLK, SVCE, (BUILT AFTER 12/6/2014)	733469-001S	1	
-	ONE PIECE GRILLE KIT, RMU208-II, WHT, SVCE, (BUILT AFTER 12/6/2014)	733469-021S	1	

Note. RMU208 speakers built after 12/6/2014 have a one piece grill.

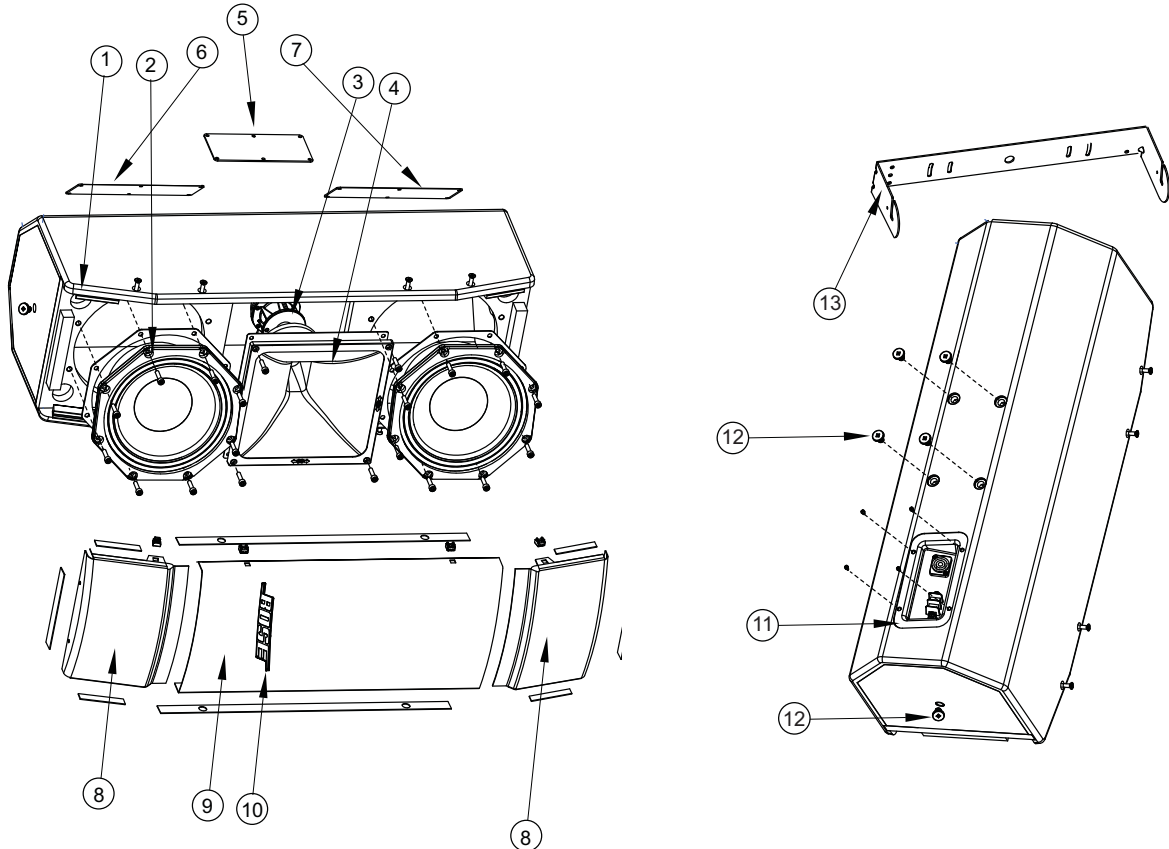


Figure 2. RoomMatch RMU208 Utility Loudspeaker Exploded View

ELECTRICAL PART LIST

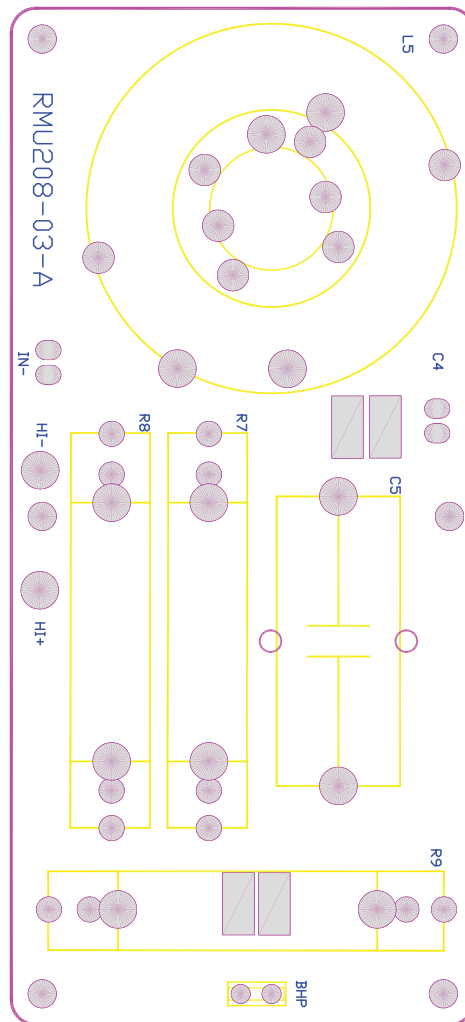
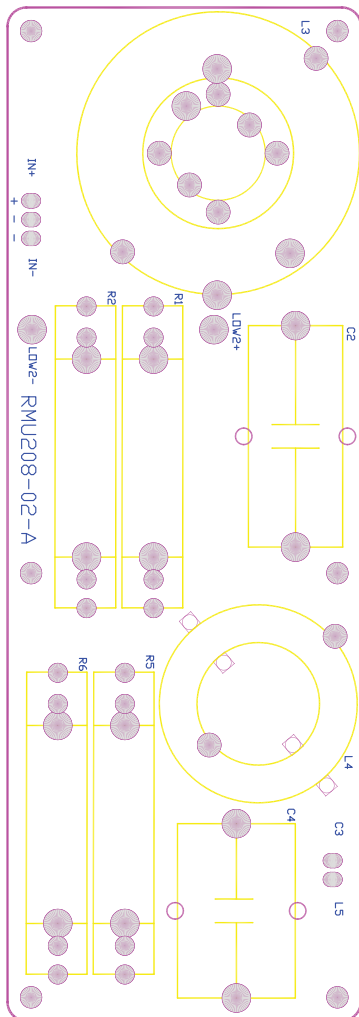
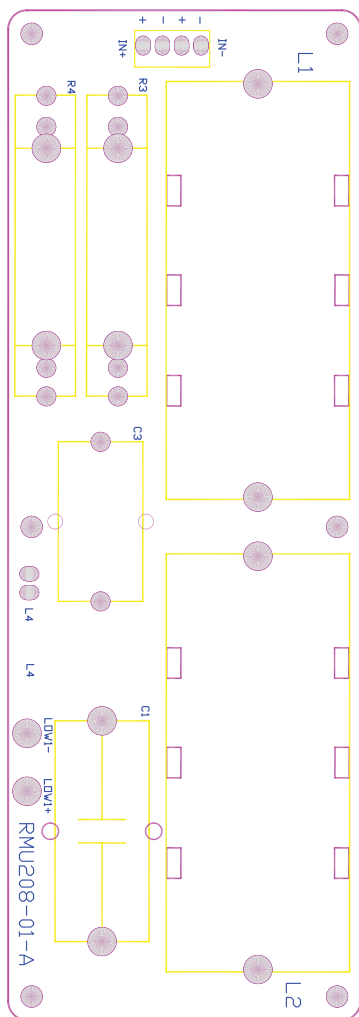
RoomMatch® RMU208 Utility

REFERENCE DESIGNATOR	DESCRIPTION	PART NUMBER	VENDOR PART NUMBER	QTY	NOTE
R1, R2	8R/20W, SQZ, CERAMIC, RES	-	5.DZ.20-02	2	
R3, R4	4R/20W, SQZ, CERAMIC, RES	-	5.DZ.20-01	2	
R5	40R/20W, SQZ, CERAMIC, RES	-	5.DZ.20-06	1	
R6	68R/20W, SQZ, CERAMIC, RES	-	5.DZ.20-11	1	
R7, R8	13R/20W, SQZ, CERAMIC, RES	-	5.DZ.20.09	2	
R9	3R/20W, SQZ, CERAMIC, RES	-	5.DZ.20-20	1	
C1	9uF/250V, CAPACITOR	-	5.DR.JBX-028	1	
C2	15uF/250V, CAPACITOR	-	5.DR.JBX13	1	
C3	1.8uF/250V, CAPACITOR	-	5.DR.JBX05	1	
C4	6.8uF/250V, CAPACITOR	-	5.DR.JBX16	1	
C5	8.2uF/250V, CAPACITOR	-	5.DR.JBX10	1	
L1, L2	8MH/1.2MM, INDUCTOR	-	5.DG.23	2	
L3	2.7MH/1.2MM, INDUCTOR	-	8.DG.HGJ-072	1	
L4	0.13MH/1.2MM, INDUCTOR	-	8.DG.KX-109	1	
L5	2.7MH/1.2MM, INDUCTOR	-	8.DG.HGJ-072	1	

Crossover 1

Crossover 2

Crossover 3



PACKING LIST

RoomMatch® RMU206 Utility Loudspeaker (see Figure 3)

Item Number	Description	Part Number	Qty	Note
1	CARTON, RMU206 UTILITY MODULE	638410-0010	1	
2	SUPPORT, CORNER, CARDBOARD #1	373752-0010	4	
3	PACKING, FOAM,PE, NO.1	371848-0010	2	
4	WASHER, RUBBER, BLACK	373234-0110	2	
5	SUPPORT, CORNER, CARDBOARD #2	373752-0020	4	
-	ROOMMATCH UTILITY INSTALL GUIDE	627049-0010	1	⚠
-	SCREW, M8X1.25,25 LG, FLNGD HH, BLK	373847-0110	4	
-	SCREW, M8X1.25,25 LG, FLNGD HH, WHT	373847-0210	4	

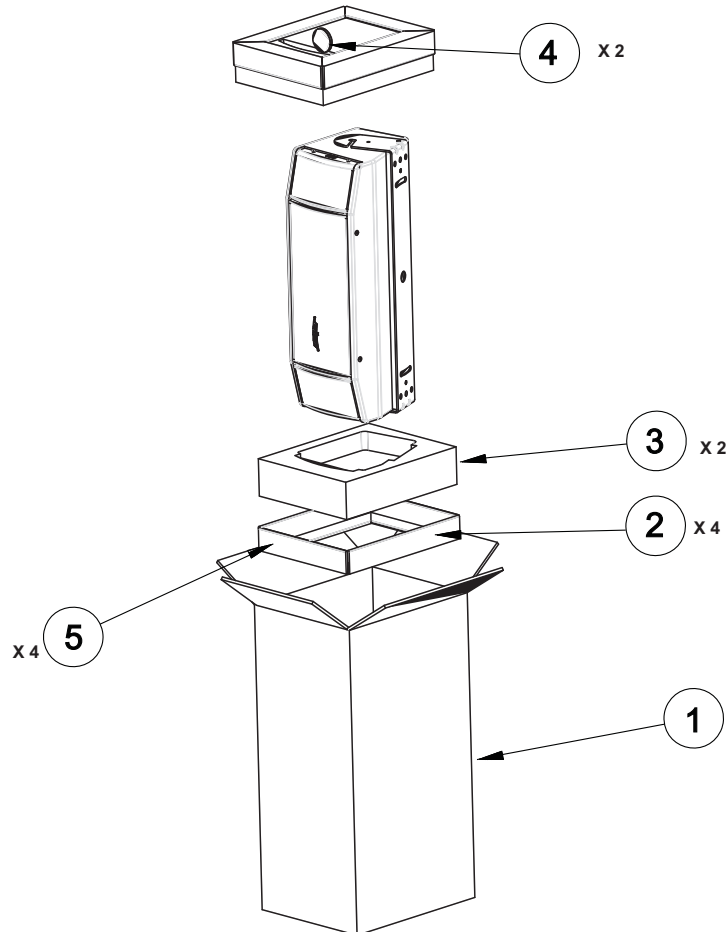


Figure 3. RoomMatch RMU206

MAIN PART LIST

RoomMatch® RMU206 Utility(see Figure 4)

Item Number	Description	Part Number	Qty	Note
1	WOOFER, RMU206, 6IN, SVCE	638353-001S	2	
2	KIT, GRILLE, RMU206, BLK, SVCE	638420-011S	1	
	KIT, GRILLE, RMU206, WHT, SVCE	638420-021S		
3	GASKET, GRILLE, CENTER, RMU206	638401-0110	2	
4	KIT, LOGO ASSY, RMU206, BLK, SVCE	638407-011S	1	
	KIT, LOGO ASSY, RMU206, WHT, SVCE	638407-021S		
5	GASKET, GRILLE, SIDE, RMU206,	715247-0110	4	
6	GASKET, GRILLE, END, RMU206	715249-0110	2	
7	HORN, 120X60, RMUTILITY	-	1	
8	GASKET, HORN	638400-0110	1	
9	COMPRESSION DRIVER	342658-0010	1	
10	M8, PLUG INSERT, #3 SQUARE DRIVE	373754-0110	6	
11	BRACKET, MOUNT, RMU206, BLK, SVCE	638404-011S	1	
	BRACKET, MOUNT, RMU206, BLK, SVCE (WALL MOUNT)	773066-011S		
	BRACKET, MOUNT, RMU206, WHT, SVCE	638404-021S		
	BRACKET, MOUNT, RMU206, WHT, SVCE (WALL MOUNT)	773066-021S		
12	PANEL, ASSY, I/O, RMU206, BLK, SVCE	371844-014S	1	
-	PCB ASSY, CROSSOVER, COMPRESSION RMU206, SVCE	638395-001S	1	
-	PCB ASSY, CROSSOVER, WOOFER, RMU206, SVCE	638394-001S	1	

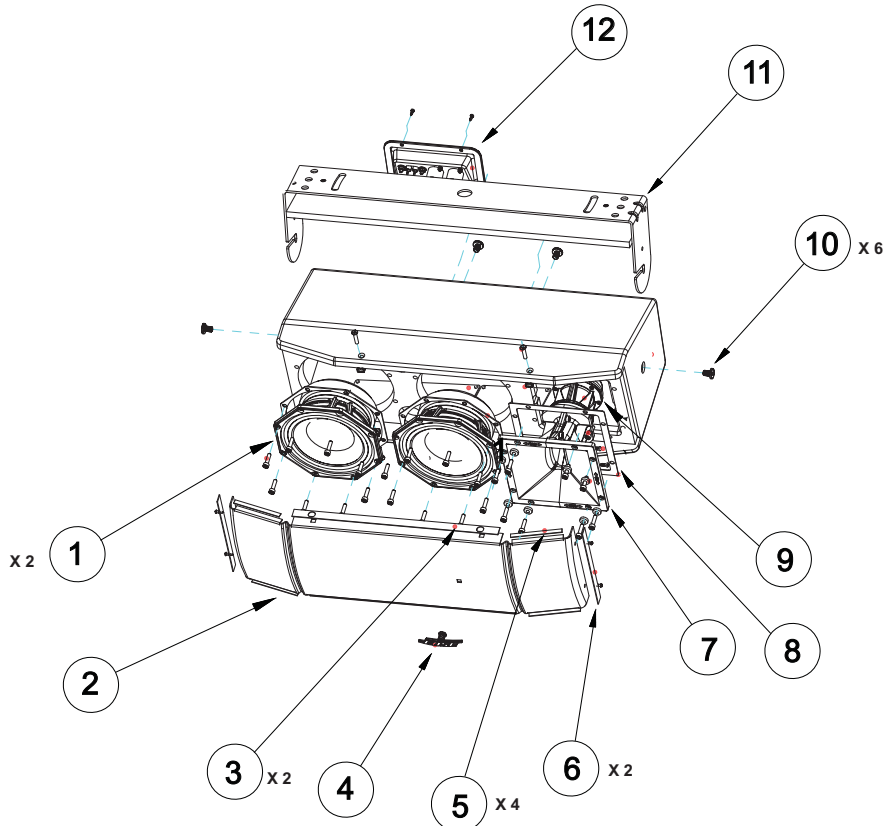
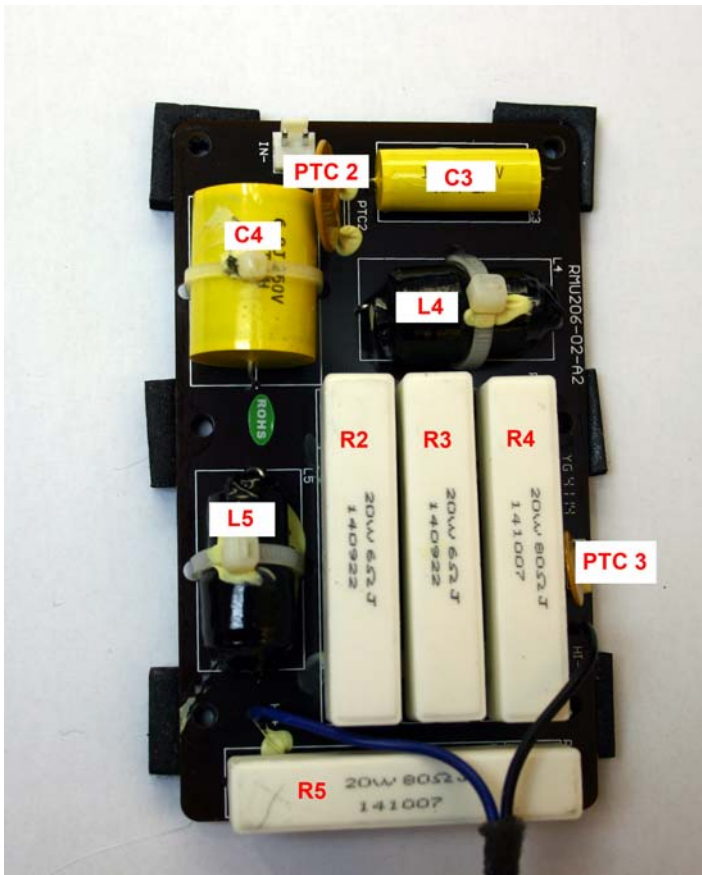


Figure 4. RoomMatch RMU206

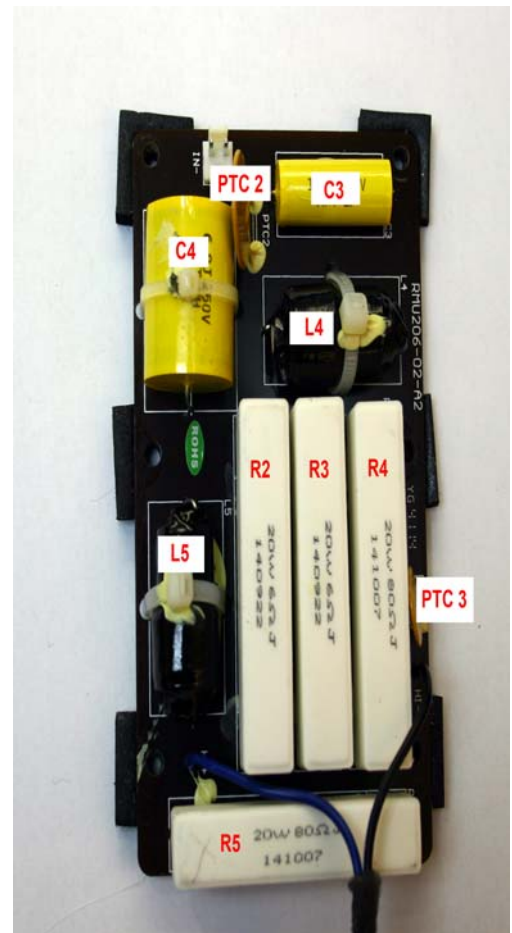
ELECTRICAL PART LIST

RoomMatch® RMU206 Utility

REFERENCE DESIGNATOR	DESCRIPTION	PART NUMBER	VENDOR PART NUMBER	QTY	Note
R1	5R/20W, SQZ, CERAMIC, RES	-	101.04.0015.00083	1	
R2,R3	6R/20W, SQZ, CERAMIC, RES	-	101.04.0015.00094	2	
R4,R5	80R/20W, SQZ, CERAMIC, RES	-	101.04.0015.00051	2	
C1	9uF/250V, CAPACITOR	-	101.04.0005.00024	1	
C2	8.2uF/250V, CAPACITOR	-	101.04.0005.00023	1	
C3	1.8uF/250V, CAPACITOR	-	101.04.0005.00005	1	
C4	6.8uF/250V, CAPACITOR	-	101.04.0005.00020	1	
L1, L2	8.0MH/1.2MM, INDUCTOR	-	107.04.0029.00042	2	
L3	2.7MH/1.0MM, INDUCTOR	-	107.04.0029.00010	1	
L4	.44MH/1.0MM, INDUCTOR	-	107.04.0029.00004	1	
L5	.33MH/1.0MM, INDUCTOR	-	107.04.0029.00003	1	
PTC1	RXE300/60V	-	101.04.0013.00007	1	⚠
PTC2	RXE250/60V	-	101.04.0013.00008	1	
PTC3	RXE135/60V	-	101.04.0013.00005	1	



Compression Driver Crossover



Woofer Crossover

RMU206 Crossovers PCB

PACKING LIST

RoomMatch® RMU108 Utility Loudspeaker (see Figure 5)

Item Number	Description	Part Number	Qty	Note
1	WASHER, RUBBER, BLACK	373234-0110	2	
	WASHER, RUBBER, WHITE	373234-0210		
2	PACKING, FOAM, PE, NO.1	371848-0010	2	
3	CARTON, RMU108 UTILITY MODULE	638378-0010	1	
4	SCREW, M8X1.25, 25 LG, FLNGD HH, BLK	373847-0110	4	
	SCREW, M8X1.25, 25 LG, FLNGD HH, WHT	373847-0210	4	
5	SQUARE BIT	-		
6	ROOMMATCH UTILITY INSTALL GUIDE	627049-0010	1	⚠

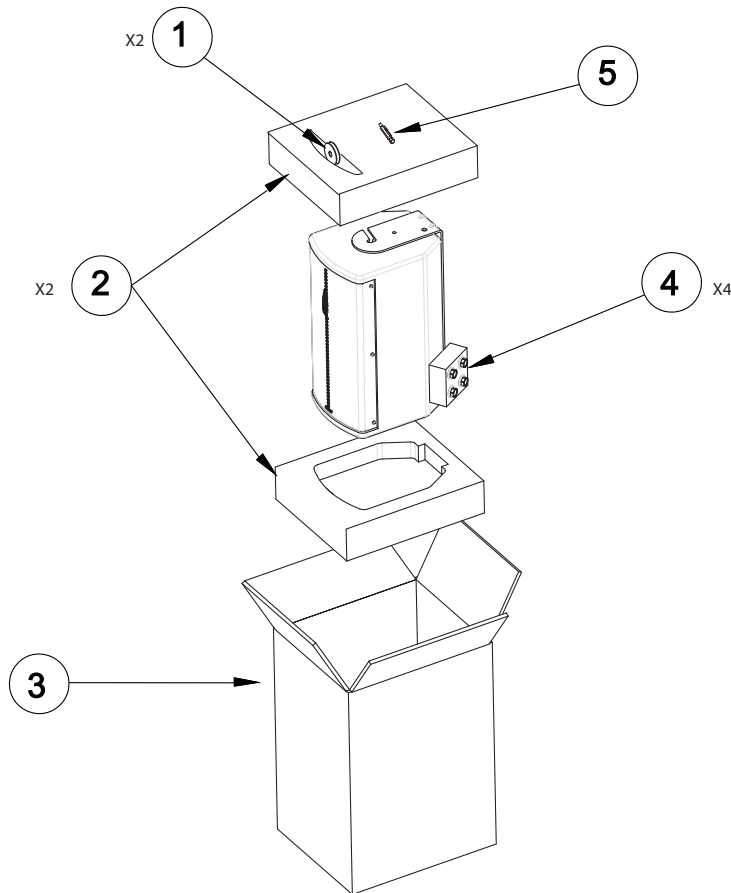


Figure 5. RoomMatch RMU108

MAIN PART LIST

RoomMatch® RMU108 Utility (see Figure 6)

Item Number	Description	Part Number	Qty	Note
1	WOOFER, RMU108, 8IN, SVCE	638352-001S	1	
2	KIT, LOGO ASSY, RMU108, BLK, SVCE	638372-011S	1	
	KIT, LOGO ASSY, RMU108, WHT, SVCE	638372-021S		
3	KIT, GRILLE, RMU108, BLK, SVCE	638381-011S	1	
	KIT, GRILLE, RMU108, WHT, SVCE	638381-021S		
4	HORN, 90X60, RMUTILITY	-	1	
5	GASKET, HORN	625707-0110	1	
6	COMPRESSION DRIVER	342658-0010	1	
7	GASKET, GRILLE, RMU108, BLK	638355-0110	2	
8	M6, PLUG, #3 SQUARE DRIVE, BLK	638373-0110	8	
	INSERT, M6, PLUG, #3 SQUARE DRIVE, WHT	638373-1210		
9	PCB ASSY, XOVER, COMPRESSION DRIVER, SVCE	638351-001S	1	
10	BRACKET, MOUNT, RMU108, BLK, SVCE	638368-011S	1	
	BRACKET, MOUNT, RMU108, WHT, SVCE	638368-021S		
11	PANEL, ASSY, IO, RMU 108, SVCE	371844-013S	1	
12	PCB ASSY, CROSSOVER, WOOFER, SVCE	638350-001S	1	
13	M8, PLUG INSERT, #3 SQUARE DRIVE, BLK	373754-0110	2	
	M8, PLUG INSERT, #3 SQUARE DRIVE, WHT	373754-0210	2	

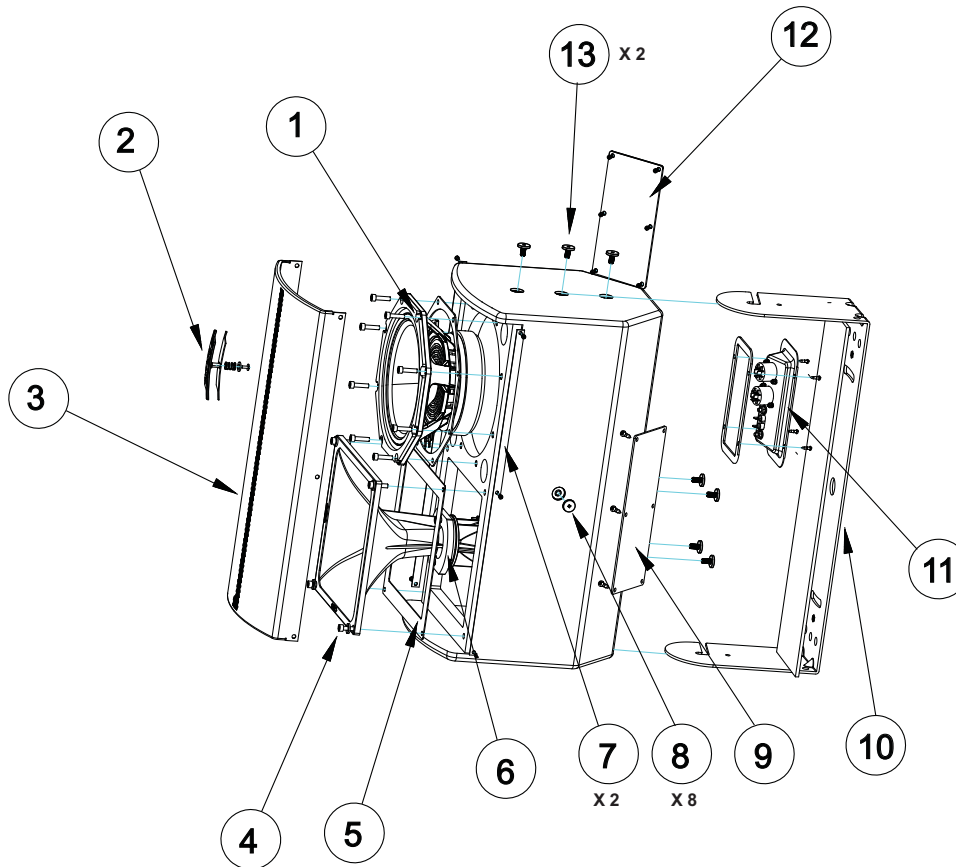
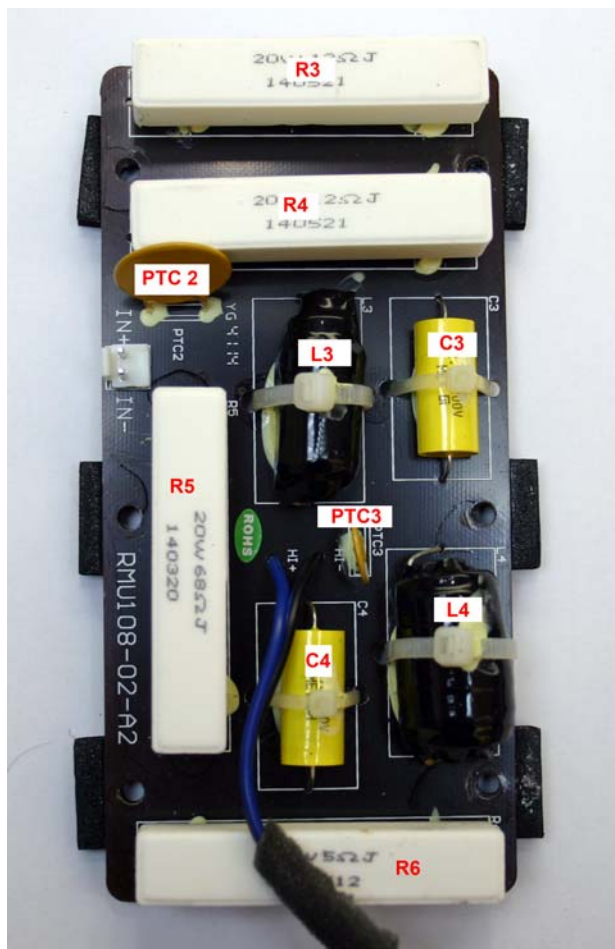


Figure 6. RoomMatch RMU108

ELECTRICAL PART LIST

RoomMatch® RMU108 Utility

REFERENCE DESIGNATOR	DESCRIPTION	PART NUMBER	VENDOR PART NUMBER	QTY	NOTE
R1	10R/20W, SQZ, CERAMIC, RES		101.04.0015.00007	1	
R2	8R/20W, SQZ, CERAMIC, RES		101.04.0015.00109	1	
R3	2R/20W, SQZ, CERAMIC, RES	-	101.04.0015.00051	1	
R4	13R/20W, SQZ, CERAMIC, RES	-	101.04.0015.00018	1	
R5	68R/20W, SQZ, CERAMIC, RES	-	101.04.0015.00091	1	
R6	5R/20W, SQZ, CERAMIC, RES	-	101.04.0015.00083	1	
C1, C2	10uF/250V, CAPACITOR	-	101.04.0005.00006	2	
C3, C4	2.7uF/100V, CAPACITOR	-	101.04.0005.00038	2	
L1, L2	1.8mH/1.0MM, INDUCTOR	-	107.04.0029.00008	2	
L3	2.4mH/1.0MM, INDUCTOR	-	107.04.0029.00002	1	
L4	.68mH/1.0MM, INDUCTOR	-	107.04.0029.00005	1	
PTC1, PTC2	RXE250/60V	-	101.04.0013.00008	2	⚠



RMU108 Crossover PCB's

PACKING LIST

RoomMatch® RMU105 Utility Loudspeaker (see Figure 7)

Item Number	Description	Part Number	Qty	Note
1	WASHER, RUBBER, BLACK	373234-0110	2	
	WASHER, RUBBER, WHITE	373234-0210		
2	PACKING, FOAM, PE, NO.1	-	2	
3	CARTON, RMU105 UTILITY MODULE	638437-0010	1	
4	SCREW, M8X1.25, 25 LG, FLNGD HH, BLK	373847-0110	4	
	SCREW, M8X1.25, 25 LG, FLNGD HH, WHT	373847-0210		
5	SQUARE BIT	-		
-	ROOMMATCH UTILITY INSTALL GUIDE	627049-0010	1	⚠

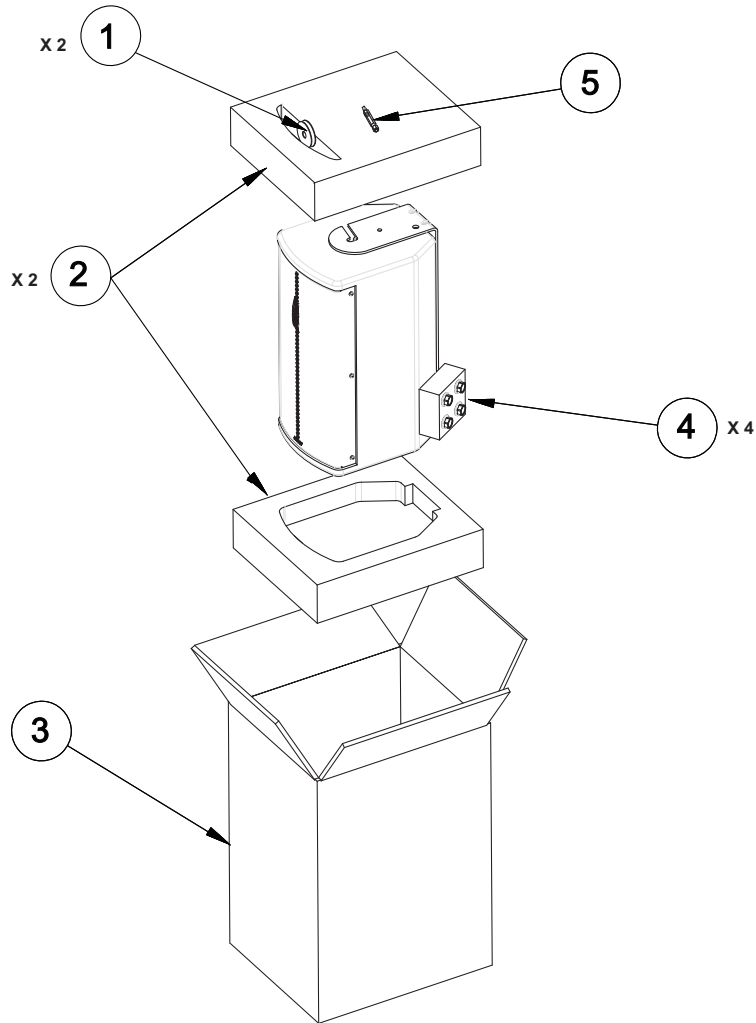


Figure 7. RoomMatch RMU105

MAIN PART LIST

RoomMatch® RMU105 Utility (see Figure 8)

Item Number	Description	Part Number	Qty	Note
1	COMPRESSION DRIVER	342658-0010	1	
2	GASKET, HORN	638428-0110	1	
3	HORN, 100X100, RMUTILITY	-	1	
4	KIT, GRILLE, RMU105, BLK, SVCE	638441-011S	1	
	KIT, GRILLE, RMU105, WHT, SVCE	638441-021S		
5	KIT, LOGO ASSY, RMU105, BLK, SVCE	638434-011S	1	
	KIT, LOGO ASSY, RMU105, WHT, SVCE	638434-021S		
6	WOOFER, RMU105, 5IN, SVCE	638425-001S	1	
7	GASKET, WOOFER	638424-0110	1	
8	COMP DRIVER/WOOFER CROSSOVER	638423-001S	1	
9	I/O RMU105 ASSY	371844-015S	1	
10	INSERT, M6, PLUG, #3 SQUARE DRIVE, BLK	638373-0110	1	
	INSERT, M6, PLUG, #3 SQUARE DRIVE, WHT	638373-0210		
11	BRACKET, MOUNT, RMU105, BLK, SVCE	638431-011S	1	
	BRACKET, MOUNT, RMU105, WHT, SVCE	638431-021S		
12	M8, PLUG INSERT, #3 SQUARE DRIVE, BLK	373754-0110	2	
	M8, PLUG INSERT, #3 SQUARE DRIVE, WHT	373754-0210		

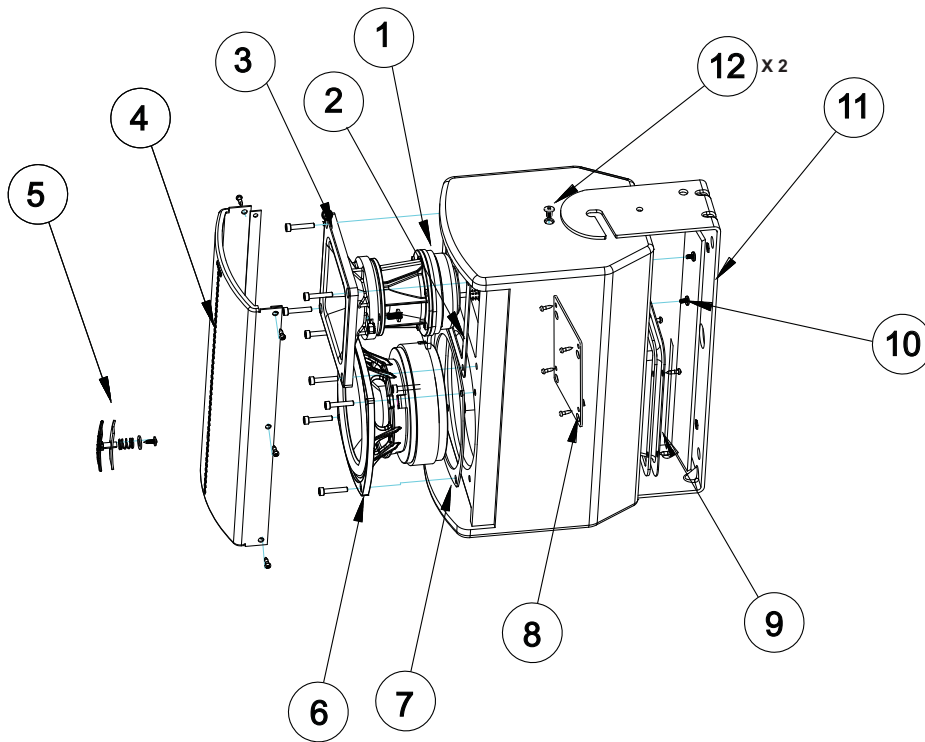
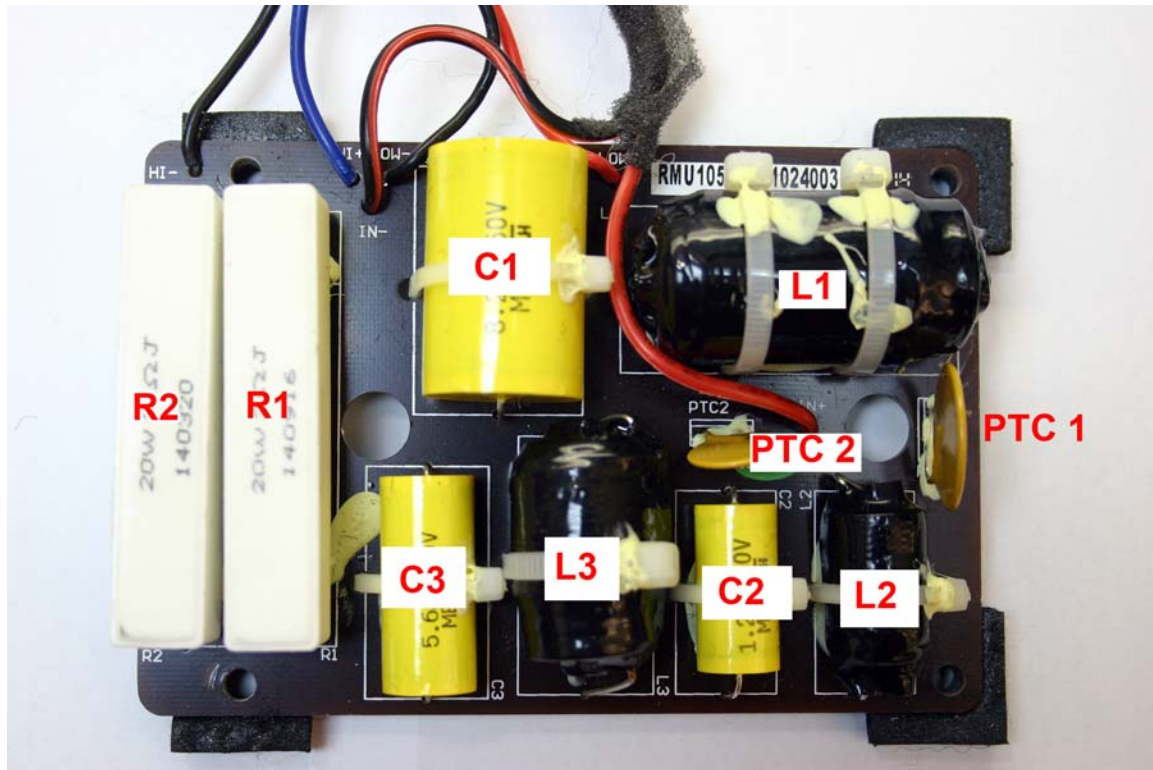


Figure 8. RoomMatch RMU105

ELECTRICAL PART LIST

RoomMatch® RMU105 Utility

REFERENCE DESIGNATOR	DESCRIPTION	PART NUMBER	VENDOR PART NUMBER	QTY	NOTE
R1	13R/20W, SQZ, CERAMIC, RES	-	101.04.0015.00018	1	
R2	2R/20W, SQZ, CERAMIC, RES	-	101.04.0015.00051	1	
C1	8.2uF/250V, CAPACITOR	-	101.04.0005.00023	1	
C2	1.2uF/250V, CAPACITOR	-	101.04.0005.00003	1	
C3	5.6uF/100V, CAPACITOR	-	101.04.0005.00044	1	
L3	.75MH/1.0MM, INDUCTOR	-	107.04.0029.00006		
L2	.12MH/1.0MM, INDUCTOR	-	107.04.0029.00001	2	
L1	2.4MH/1.0MM, INDUCTOR	-	107.04.0029.00009	1	
PTC1	RXE250/60V	-	101.04.0013.00008	1	⚠
PTC2	RXE135/60V	-	101.04.0013.00005	1	



RMU105 Compression Driver/Woofer Crossover PCB

DISASSEMBLY PROCEDURES

RoomMatch® Utility

Note: This procedure is for all the versions mentioned in this service manual.

1. Grille Removal

1.1 Remove all the screws on the top and the bottom using a #2 phillips head screwdriver.

1.2 Remove all the screws on both sides of the cabinet using a #2 phillips head screwdriver.

1.3 Lift off the grille assembly from the cabinet.

2. Woofer Removal

2.1 Remove the screws that secure the woofer to the cabinet using a #4 hex bit tool. Lift out the woofer. Disconnect the two Faston connectors.

2.2 Repeat procedure 2.1 to remove the second woofer.

3. Horn/Compression Driver Removal

3.1 Remove the four screws that secure the Horn to the cabinet.

3.2 Disconnect the two Faston connectors.

4. Compression Driver

4.1 To separate the compression driver from the horn assembly, remove the 2 screws using an 8mm boxed end wrench and a #2 phillips head bit.

5. Crossover Removal

5.1 Remove the screws that secure the crossover to the cabinet.

5.2 Disconnect the connectors.

5.3 Repeat 5.1-5.2 to remove the other crossover PCB's.

6. Input Panel Assembly Removal

6.1 Using a #2 phillips head screwdriver, remove the four screws securing the input panel.

6.2 Lift out the input assembly.

6.3 Disconnect the two Faston connectors from the Neutrik Connector.

NOTE: Only the +1 and -1 connections are used on the Neutrik connector.

6.3 To remove the terminal connector, unsolder the positive and negative wires from the terminals.

TEST PROCEDURES

⚠ Caution: Hearing protection is required.

Equipment Required:

- Audio signal generator
- Amplifier
- DC Power supply

1. Rub and Tick Test

1.1 Apply an audio sine wave signal of 10Hz, 20 VRMS +/- 1 VRMS to pins 1+ and 1- .

1.2 No extraneous noise such as rubbing, scraping or ticking should be heard.

2. Phase Test

2.1 Observing polarity, momentarily apply a +10 VDC +/- 1 VDC to pins 1+ and 1- of the NL4 input connector.

2.2 Observe drivers, the drivers should move outward when the DC level is applied.

3. Frequency Power Sweep Test

3.1 Apply an audio sine wave signal of 35Hz, 20 VRMS +/- 1 VRMS to pins 1+ and 1- of the NL4 input connector.

3.2 Sweep the audio signal generator frequency slowly from 35hz to 200hz.

3.3 Listen for any buzzes, rattles or other extraneous noises from the loudspeaker.

4. Air Leak Test

4.1 Apply an audio sine wave signal of 10Hz, 20 VRMS +/- 1 VRMS to pins 1+ and 1- of the NL4 input connector.

4.2 Listen for hissing or whooshing noises around the cabinet, woofer mounting holes, around the woofer surround area and at the connector panel and underneath the inserts.

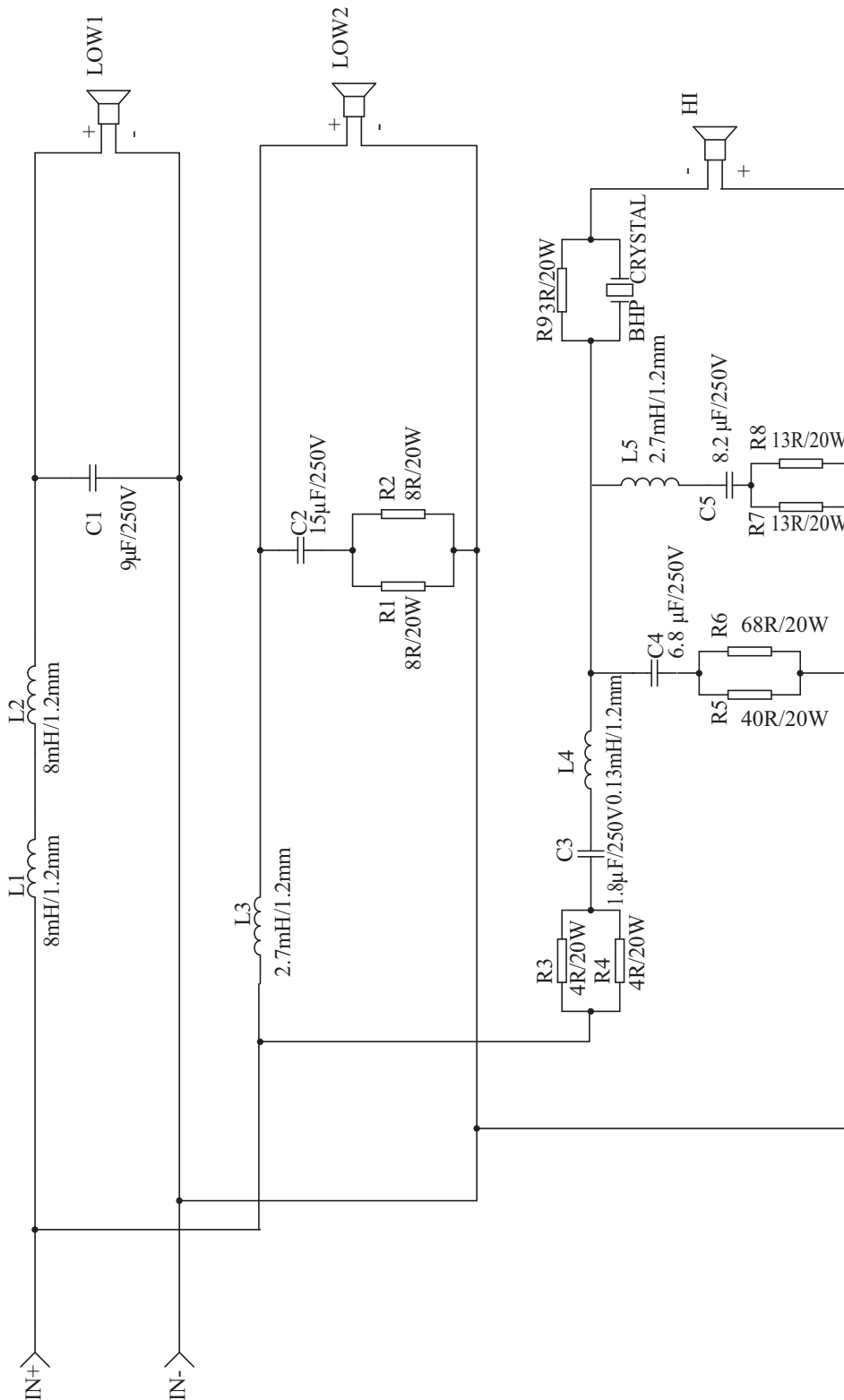
4.3 If an air leak is detected, repair it and perform this test again.

NOTE: All repairs must be hidden.

WIRING DIAGRAM

RMU208 Crossover Wiring Diagram

NOTE: There are three separate boards that are wired together to complete this diagram.

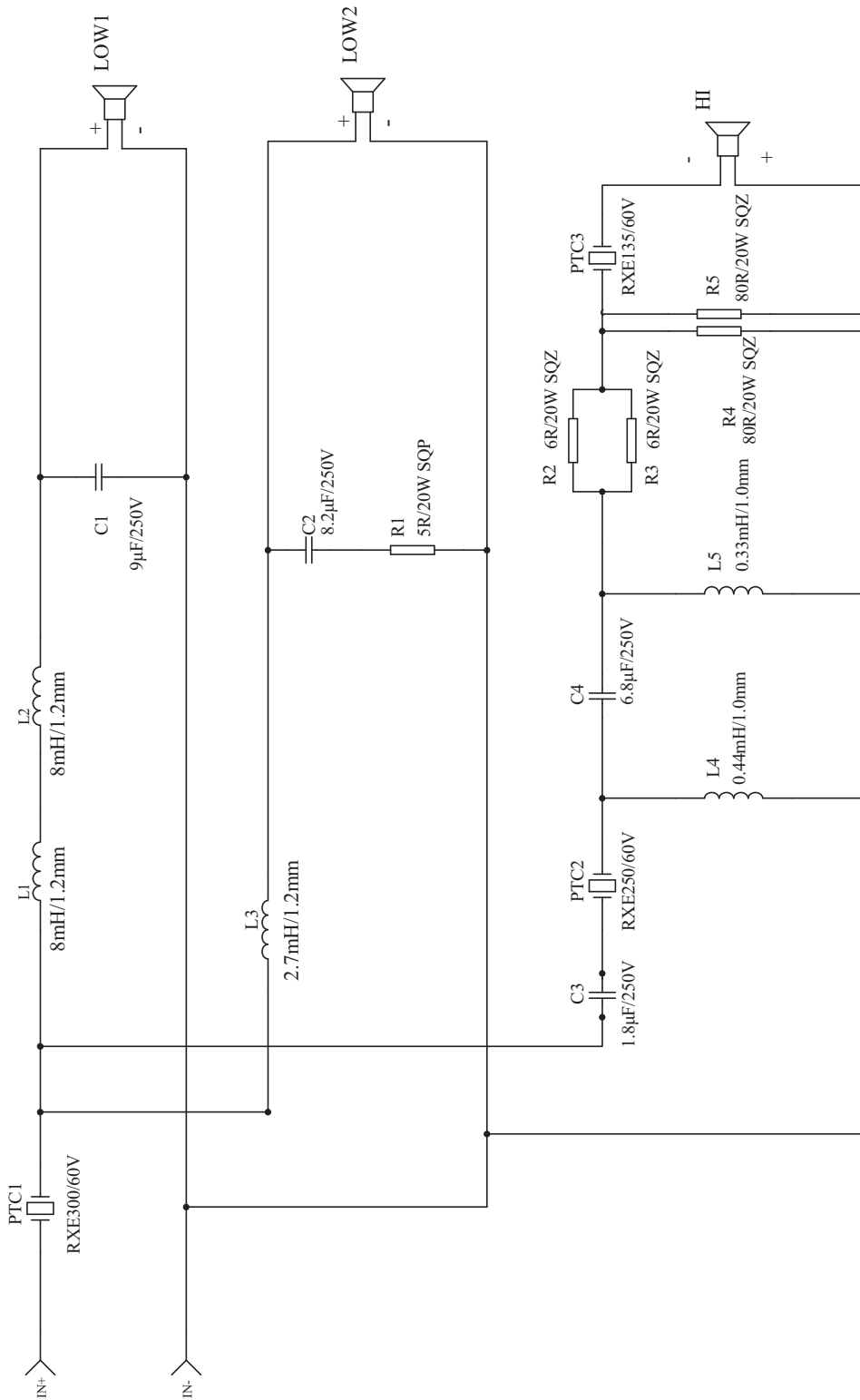


Note: Compression Driver is wired out of phase.

WIRING DIAGRAM

RMU206 Crossover Wiring Diagram

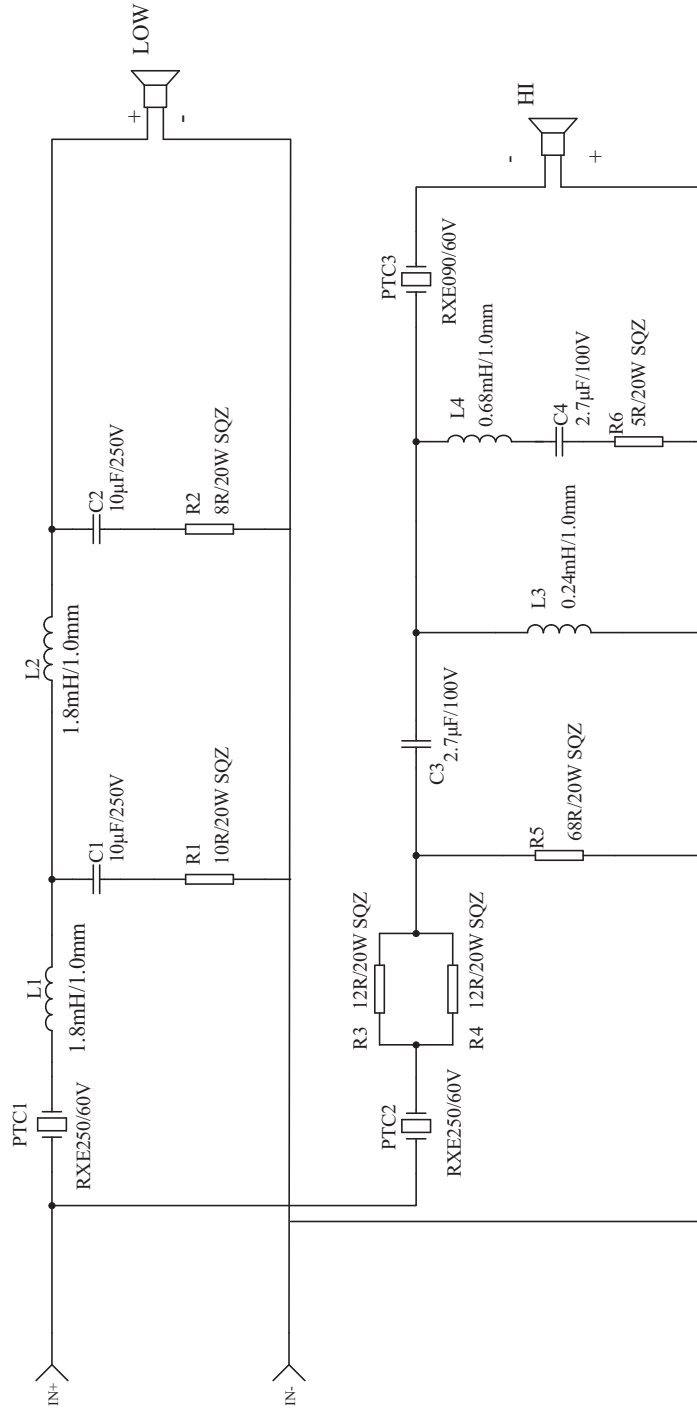
NOTE: There are three separate boards that are wired together to complete this diagram.



WIRING DIAGRAM

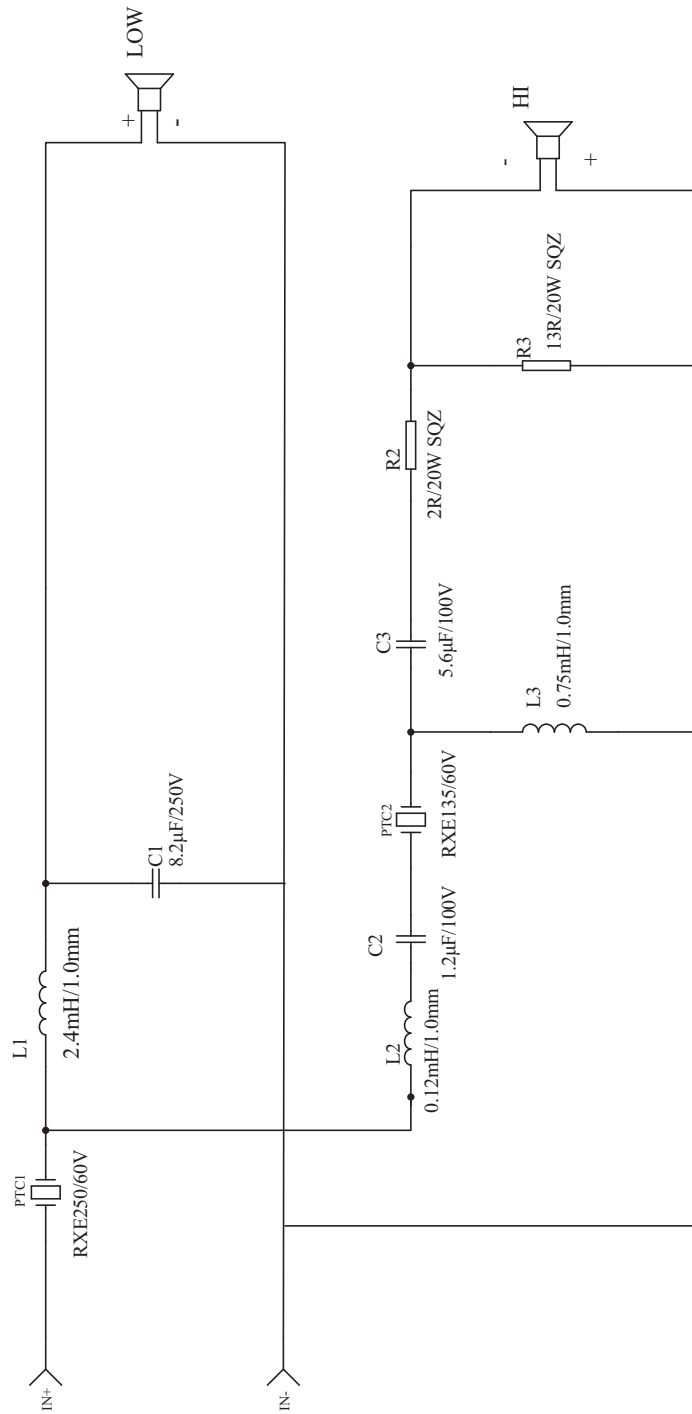
RMU108 Crossover Wiring Diagram

NOTE: There are two separate boards that are wired together to complete this diagram.



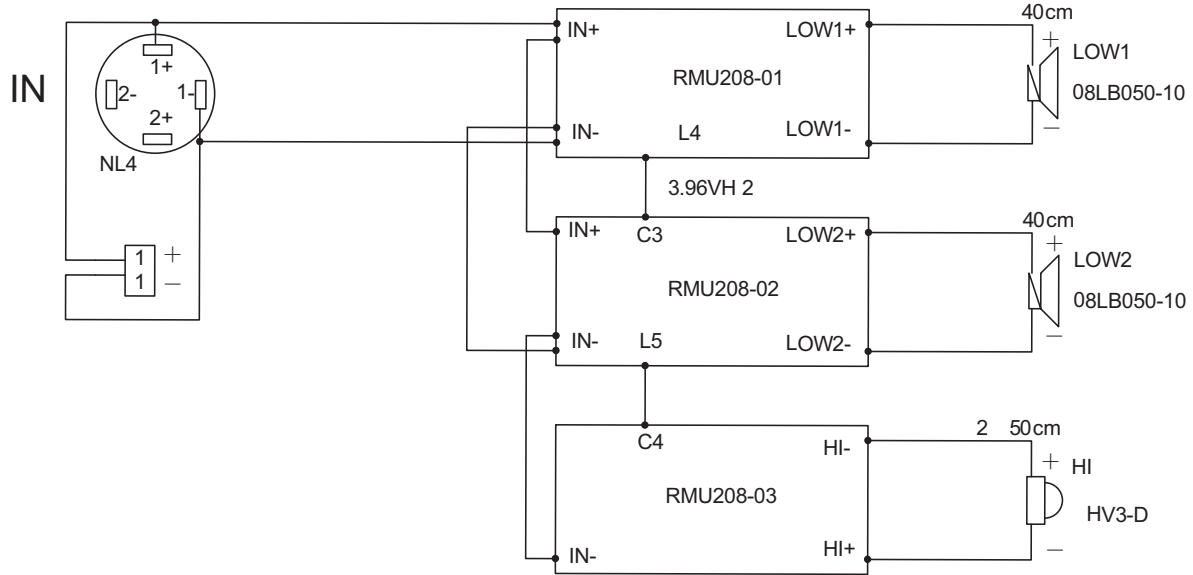
WIRING DIAGRAM

RMU105 Crossover Wiring Diagram

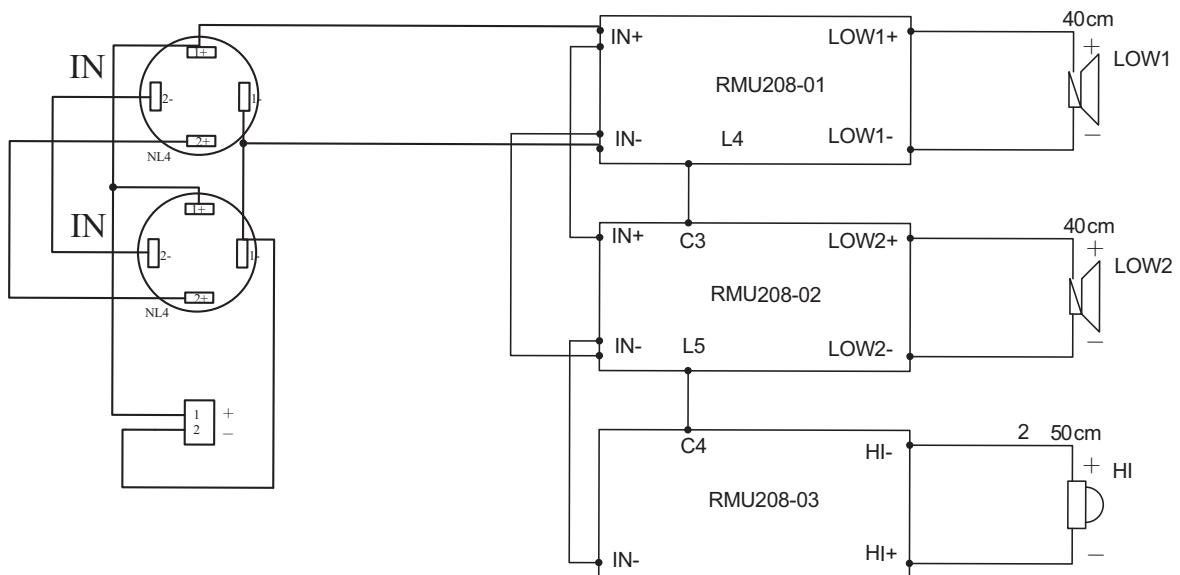


WIRING DIAGRAM

RMU 208 System Wiring Diagram

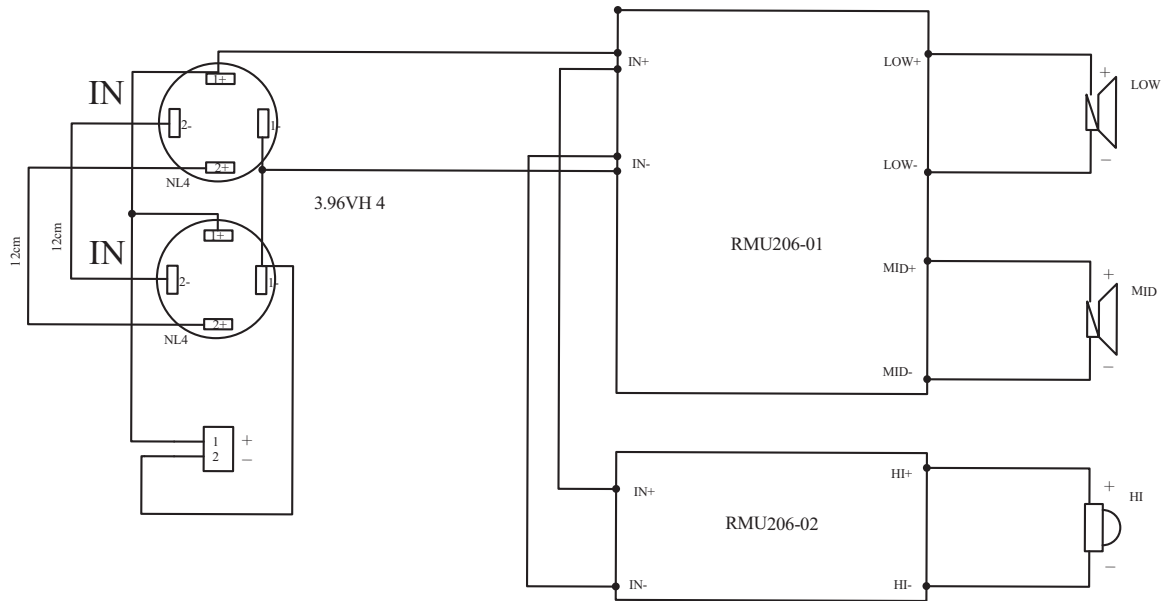


RMU 208 System Wiring Diagram /Built after 12/15/14

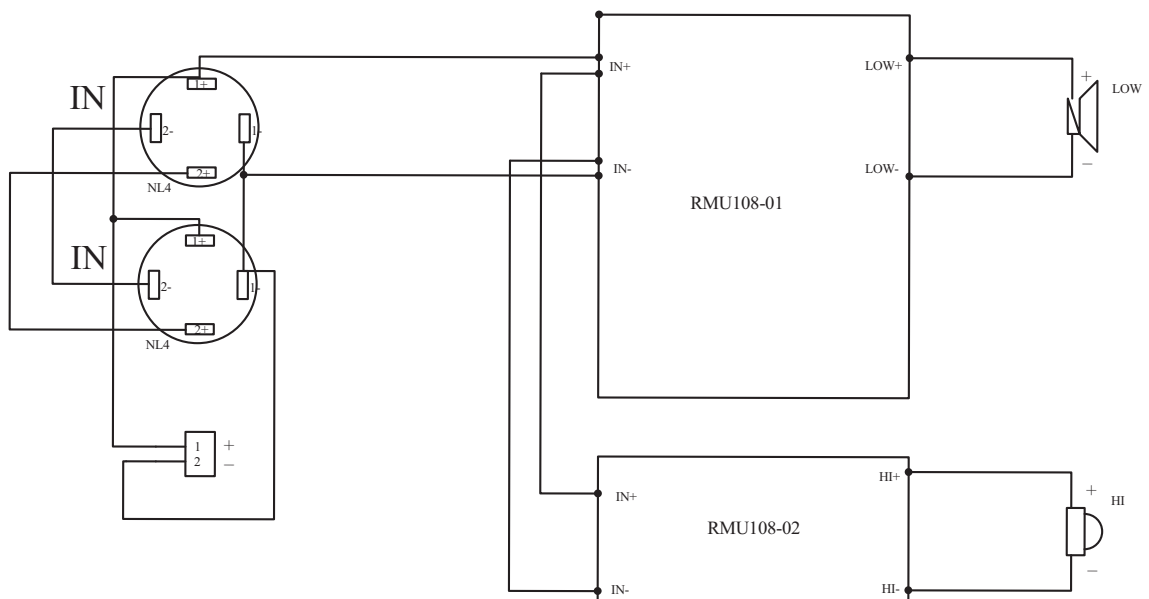


WIRING DIAGRAM

RMU 206 System Wiring Diagram

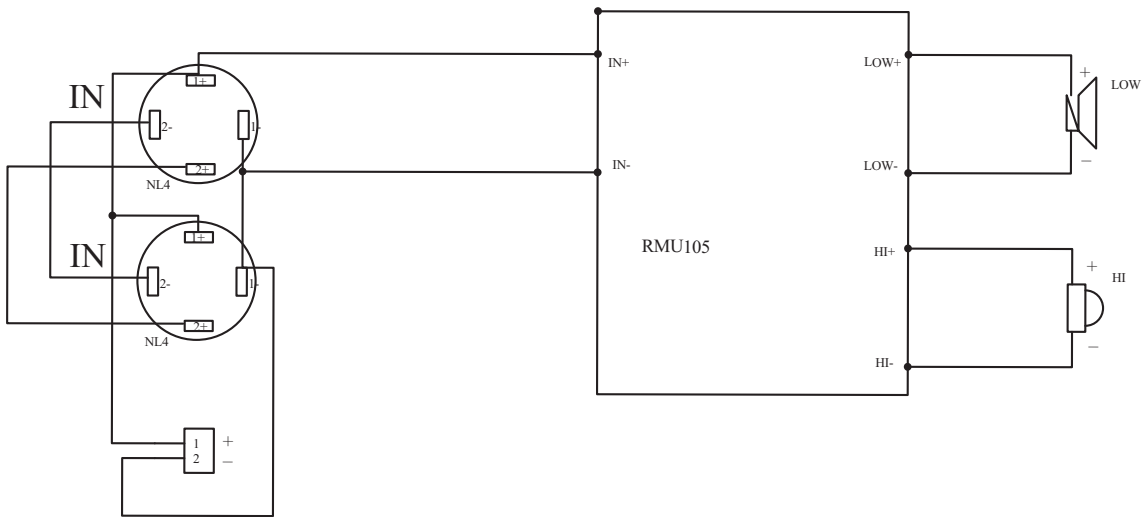


RMU 108 System Wiring Diagram



WIRING DIAGRAM

RMU 105 System Wiring Diagram



SERVICE MANUAL REVISION HISTORY

Date	Revision Level	Description of Change	Change Driven By	Pages Affected
1/15	00	Document released at revision 00.	Service manual initial release	All
3/15	01	Remove material numbers	N/A	Pg7,10,13 and 16
5/15	02	Update Material number	N/A	pg9
1/16	03	Update Material number	N/A	Pg,6,9,12 and 15
2/2/2016	04	Updated Material number	N/A	Pg7
5/25/16	05	Added new material number	N/A	Pg10

SPECIFICATIONS AND FEATURES SUBJECT TO CHANGE WITHOUT NOTICE

BOSE®
Better sound through research®

Bose Corporation
The Mountain
Framingham Massachusetts USA 01701
Reference Number 638392-SM Rev05 5/2016 (P)