



DesignMax DM8SE

Surface Loudspeaker

Installation Guide

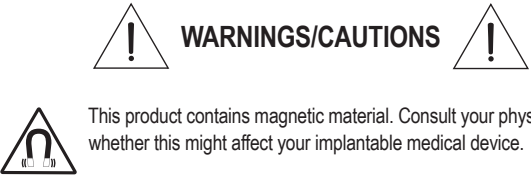
Installation Guide.....	2	Monteringsveiledning	44
Guía de instalación	9	Instrukcja montażu.....	51
Notice d'installation	16	安装指南	58
Installationsanleitung	23	安装指南	65
Guida all'installazione	30	設置ガイド.....	72
Installatiehandleiding	37	79	دليل التركيب

Please read and keep all safety and use instructions.

This product is intended for installation by professional installers only! This document is intended to provide professional installers with basic installation and safety guidelines for this product in typical fixed-installation systems. Please read this document and all safety warnings before attempting installation.

Do not attempt to service this product yourself. Refer all servicing to authorized service centers, installers, technicians, dealers or distributors. To contact Bose Professional or to find a dealer or distributor near you, visit **BoseProfessional.com**.

1. Read these instructions.
2. Keep these instructions.
3. Heed all warnings.
4. Follow all instructions.
5. Do not block any ventilation openings. Install in accordance with the manufacturer's instructions.
6. Do not install near any heat sources such as radiators, heat registers, stoves, or other apparatus (including amplifiers) that produces heat.
7. Only use attachments/accessories specified by the manufacturer.





WARNINGS/CAUTIONS

This product contains magnetic material. Consult your physician on whether this might affect your implantable medical device.

- It is the responsibility of the installer to use a support system which has sufficient wind load strength to comply with the applicable codes and standards.
- All Bose Professional products must be installed in accordance with local, state, federal and industry regulations. It is the installer's responsibility to ensure installation of the loudspeakers and mounting system is performed in accordance with all applicable codes, including local building codes and regulations. Consult the local authority having jurisdiction before installing this product.
- This product is not intended for installation or use in indoor water facility areas (including, without limitation, indoor pools, indoor water parks, hot tub rooms, saunas, steam rooms and indoor skating rinks).
- Unsafe mounting or overhead suspension of any heavy load can result in serious injury or death, and property damage. It is the installer's responsibility to evaluate the reliability of any mounting method used for their application. Only professional installers with the knowledge of proper hardware and safe mounting techniques should attempt to install any loudspeaker overhead.
- Do not mount on surfaces that are not sturdy, or that have hazards concealed behind them, such as electrical wiring or plumbing. If you are not sure about installing the bracket, contact a qualified professional installer. Ensure the bracket is installed according to local building codes.
- Use only the hardware and accessories included or specified by Bose Professional for use with DesignMax DM8SE loudspeakers. Hardware for securing the loudspeaker to the mounting surface is not supplied. For information on compatible accessories, see the product's technical data sheet at **BoseProfessional.com**.
- Keep the product away from fire and heat sources. Do not place naked flame sources, such as lighted candles, on or near the product.
- Do not make unauthorized alterations to this product.
- The DesignMax DM8SE wall-mounting bracket is only for use with model DM8SE.
- Do not expose loudspeaker or mounting components to any chemical substances that are not specified by Bose Professional, including but not limited to lubricants, cleaning agents, contact sprays, or other hydrocarbon-based solvents. Exposure to such substances can lead to degradation of the plastic material, resulting in cracking and creating a falling hazard.
- Clean speakers using only a dry cloth. Do not expose loudspeaker to soap, detergent, mineral oil, alcohol or other cleaning agents or chemicals.
- Avoid touching uninsulated wiring or wiring terminals. This product's audio wiring terminals carry voltage that can result in discomfort upon contact.

Regulatory Information

 This product conforms to all applicable EU directive requirements. The complete declaration of conformity can be found at the product-specific page: **BoseProfessional.com**

 This symbol means the product must not be discarded as household waste, and should be delivered to an appropriate collection facility for recycling. Proper disposal and recycling helps protect natural resources, human health and the environment. For more information on disposal and recycling of this product, contact your local municipality, disposal service, or the shop where you bought this product.

China Restriction of Hazardous Substances Table

Names and Contents of Toxic or Hazardous Substances or Elements						
Part Name	Toxic or Hazardous Substances and Elements					
	Lead (Pb)	Mercury (Hg)	Cadmium (Cd)	Hexavalent (CR(VI))	Polybrominated Biphenyl (PBB)	Polybrominated diphenylether (PBDE)
PCBs	X	0	0	0	0	0
Metal Parts	X	0	0	0	0	0
Plastic Parts	0	0	0	0	0	0
Speakers	X	0	0	0	0	0
Cables	X	0	0	0	0	0

This table is prepared in accordance with the provisions of SJ/T 11364.
 O: Indicates that this toxic or hazardous substance contained in all of the homogeneous materials for this part is below the limit requirement of GB/T 26572.
 X: Indicates that this toxic or hazardous substance contained in at least one of the homogeneous materials used for this part is above the limit requirement of GB/T 26572.

Taiwan Restriction of Hazardous Substances Table

Equipment name: DesignMax DM8SE, Type designation: 892116						
Unit	Restricted substances and its chemical symbols					
	Lead (Pb)	Mercury (Hg)	Cadmium (Cd)	Hexavalent chromium (Cr+6)	Polybrominated biphenyls (PBB)	Polybrominated diphenyl ethers (PBDE)
PCBs	-	o	o	o	o	o
Metal Parts	-	o	o	o	o	o
Plastic Parts	o	o	o	o	o	o
Speakers	-	o	o	o	o	o
Cables	-	o	o	o	o	o

Note 1: "o" indicates that the percentage content of the restricted substance does not exceed the percentage of reference value of presence.
 Note 2: The "-" indicates that the restricted substance corresponds to the exemption.

Date of Manufacture: The eighth digit in the serial number indicates the year of manufacture; "7" is 2007 or 2017.

EU Importer: Transom Post Netherlands B.V., Keizersgracht 391A, 1016 EJ, Amsterdam | **UK Importer:** Transom Post Netherlands UK, Squires House 205a High Street, West Wickham, BR4 0PH | **Japan Importer:** Transom Post International Japan KK Co., Ltd. PMO Tamachi IV Shiba5-29-19, Minato-ku, Tokyo | **Australia Importer:** Transom Post Australia Pty. Ltd., Level 14, 60 Margaret Street, Sydney, NSW 2000 | **China Importer:** Transom Post (Shanghai) Audio Co. Ltd Room 2209, Building 1, 175 Longyao Road, Xuhui District, Shanghai | **Mexico Importer:** POST INTL MEXICO, S. DE R.L. DE C.V. Insurgentes Sur No. 1079, 1st floor, Colonia Noche Buena, Benito Juárez, C.P. 03270, Mexico City | **UAE Importer:** 102 A, Sama Tower Sheikh Zayed Road, Dubai UAE

Bose is a trademark of Bose Corporation.

DesignMax is a trademark of Transom Post OpCo LLC.

Bose Professional, 117 South St, Hopkinton, MA 01748 USA

©2024 Transom Post OpCo LLC. No part of this work may be reproduced, modified, distributed or otherwise used without prior written permission.

Warranty Information

This product is covered by a limited warranty.
 For warranty details, visit **BoseProfessional.com/Warranty**.

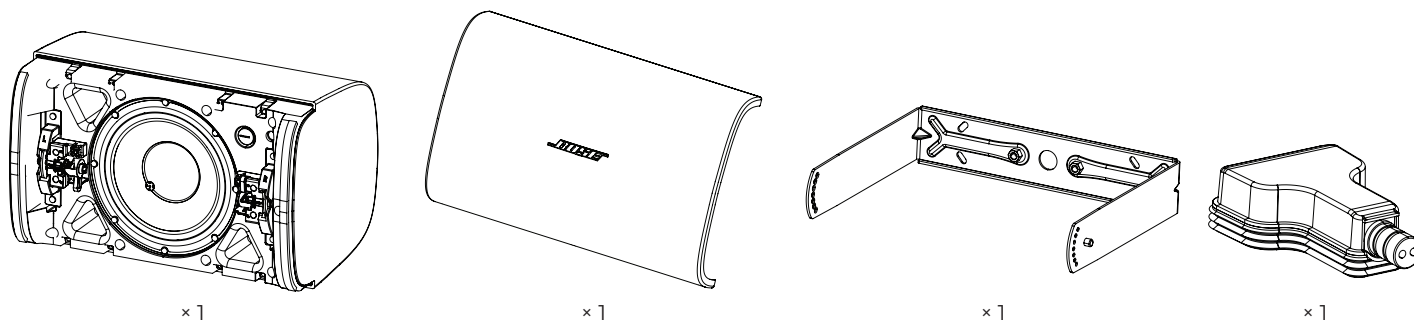
Product Ratings:

Input Voltage: 70V/100V

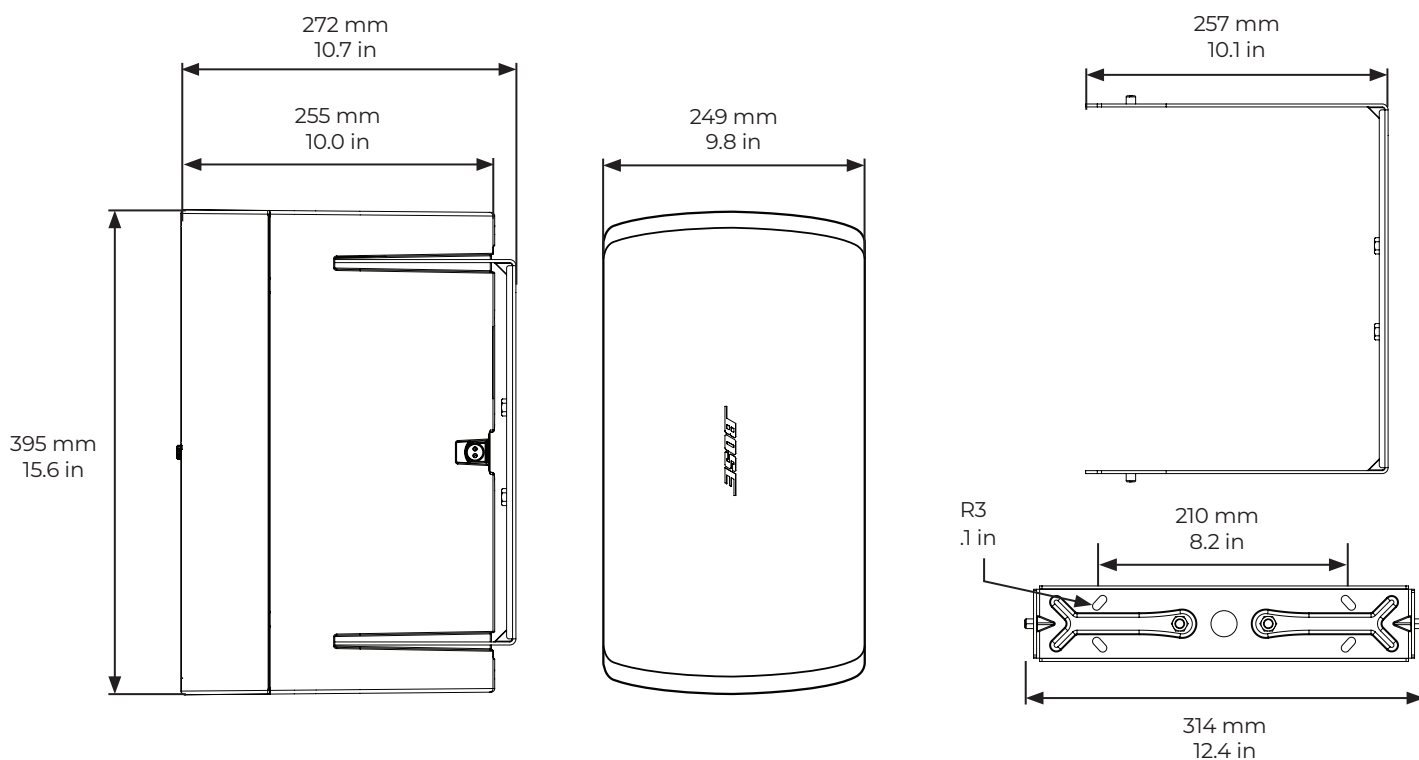
Impedance: 8 Ω, 125 W

Current or Power: (70V): 2.5W, 5W, 10W, 20W, 40W, 80W;
 (100V): 5W, 10W, 20W, 40W, 80W

Package Contents



Product Dimensions



Technical Specifications

For additional specifications, see the DesignMax DM8SE technical data sheet at BoseProfessional.com.

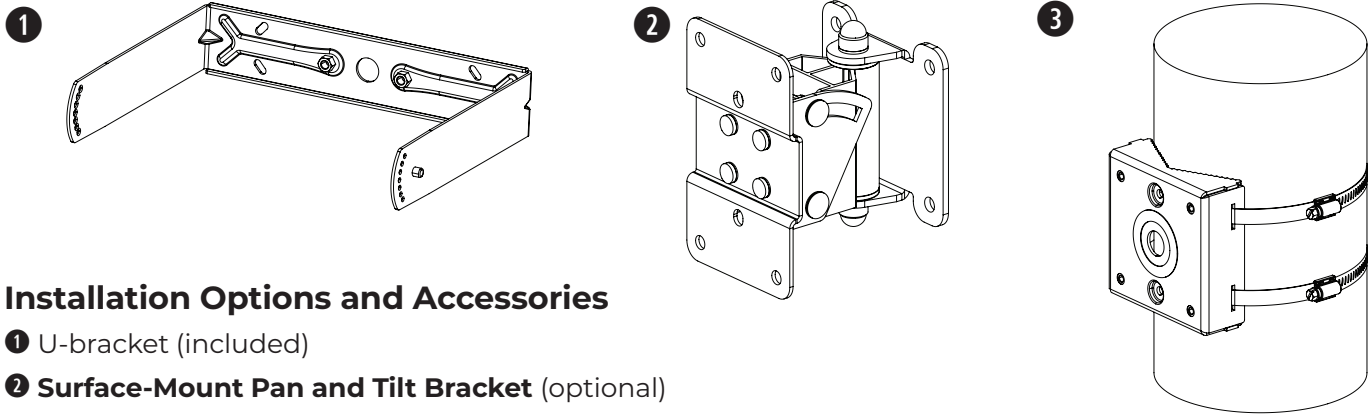
Physical	
Net Weight, Loudspeaker with grille and bracket	11.1 kg (24.5 lbs)
Shipping Weight	13 kg (28.5 lbs)
Environmental	Suitable for use outdoors in wet locations IP55 per IEC 60529, 2019

Important Installation Information

 Before installing the loudspeaker, review **Important Safety Instructions** on page 2.

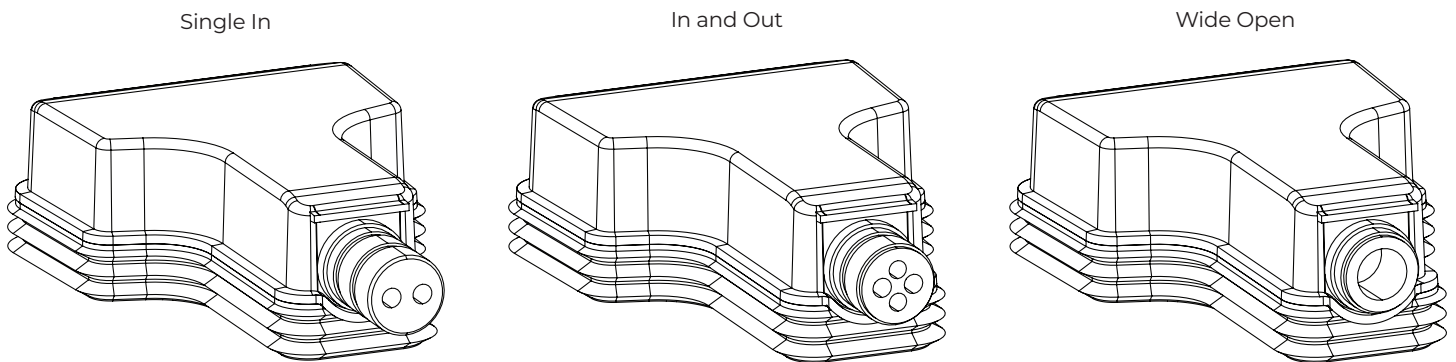
 For **general purpose audio installation applications**, environmental rated to IP55 per EN60529.

Installation Options



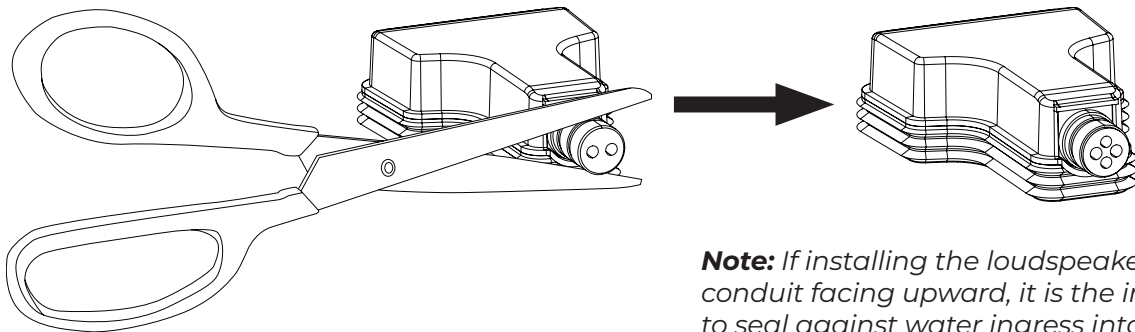
Installation Options and Accessories

- ❶ U-bracket (included)
- ❷ Surface-Mount Pan and Tilt Bracket (optional)
- ❸ Pole Mount Bracket (optional)

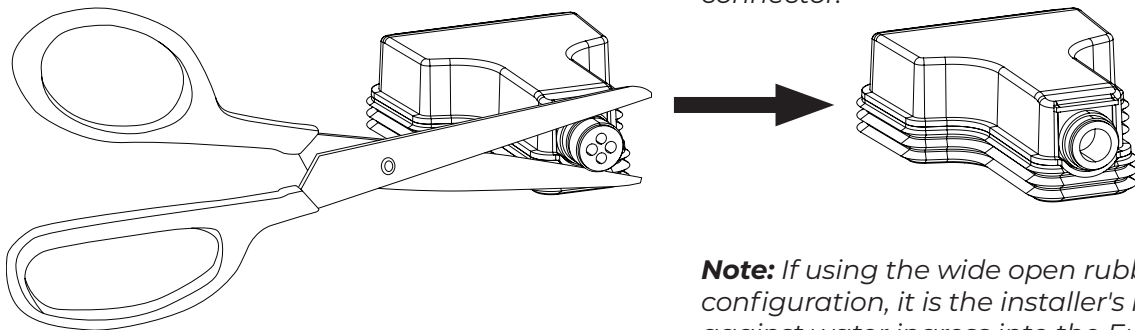


Preparing the Weather-resistant Input Cover

The weather-resistant input cover is designed for three different wiring scenarios (see above). To change the configuration of the input cover to support your wiring scenario, cut along the perforation on the rubber conduit.



Note: If installing the loudspeaker with the rubber conduit facing upward, it is the installer's responsibility to seal against water ingress into the Euroblock connector.



Note: If using the wide open rubber conduit configuration, it is the installer's responsibility to seal against water ingress into the Euroblock connector.

Wiring the Loudspeaker

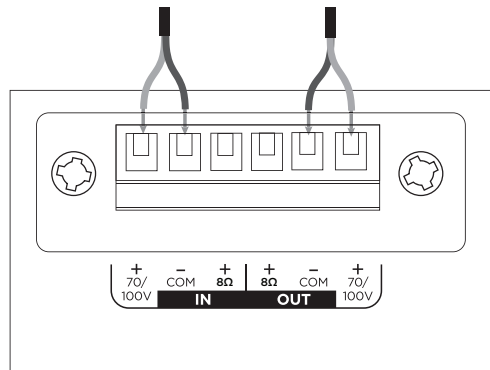
Wire Gauge

The DesignMax DM8SE loudspeaker is designed to work with 18 AWG (0.8 mm²) to 14 AWG (2.1 mm²) size wire only.

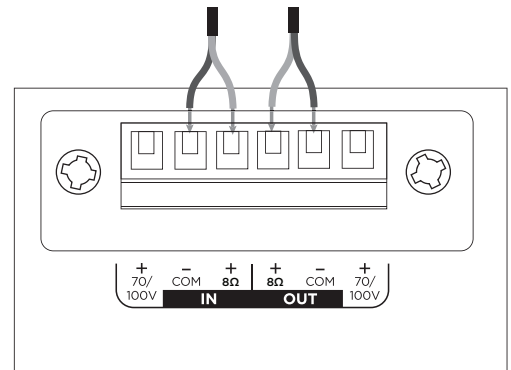
Connection Diagrams

Expose six millimeters (1/4 inch) of bare wire to attach to the terminals.

Note: The loudspeaker is not rated for use with a rigid conduit. The loudspeaker is suitable for a flexible conduit or wiring connection only.

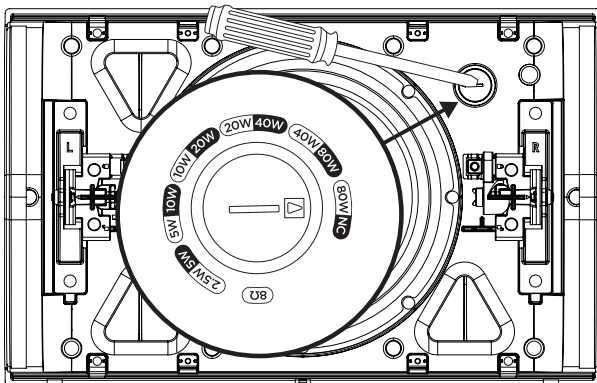


70V/100V



8Ω

Loudspeaker Settings



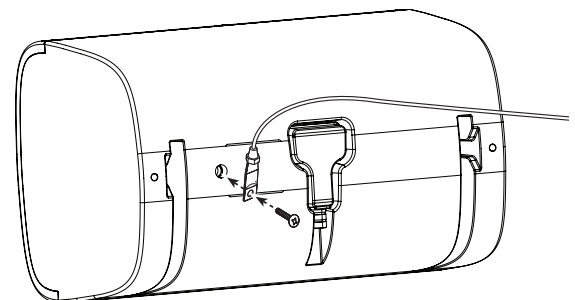
70V						8Ω
2.5W	5W	10W	20W	40W	80W*	
5W	10W	20W	40W	80W	NC**	
100V						

* Factory default

** NC: No Connection (do not use)

Transformer Tap Setting

Set tap by turning. Use a flat head screwdriver.



Using a Safety Cable

Some regional construction codes require the use of a secondary method of securing loudspeakers to support structures to provide additional safety. Choose a mounting position, method, and hardware consistent with local building codes and regulations.

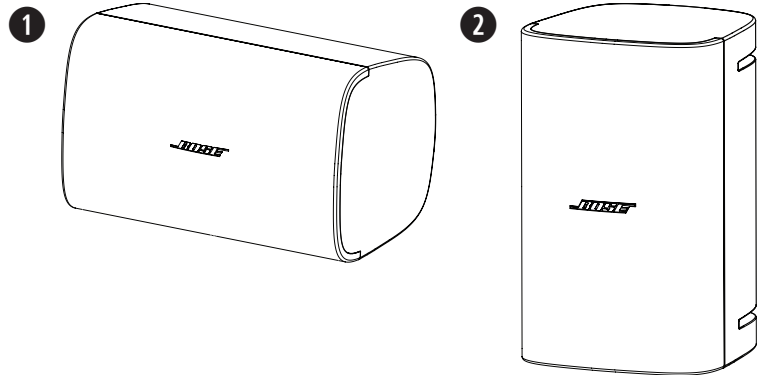
A safety cable can be attached to the loudspeaker using the threaded insert on the back of the enclosure.

The insert is sized for an M8 screw (not included) with a depth of 20 millimeters (0.79 inches).

Loudspeaker Orientation

Choose the loudspeaker orientation best suited for your installation.

- ❶ Horizontal
- ❷ Vertical



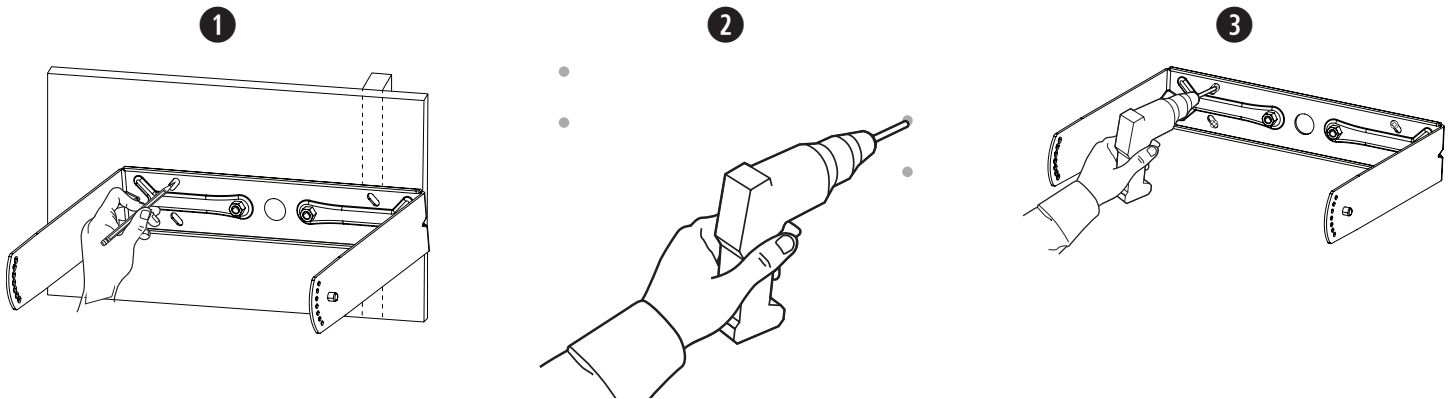
Note: Installation in close proximity to cooking surfaces where the loudspeaker may be directly exposed to cooking oils, such as in commercial cooking environments, may decrease the performance or functionality of the loudspeaker.

Installing the Bracket

Note: When choosing an installation location, at least two of the mounting bracket's attachment points must be secured to a support structure. Attachment points not secured to a support structure must be secured using appropriate hardware for the installation. Choose fasteners that are consistent with all local building codes and requirements.

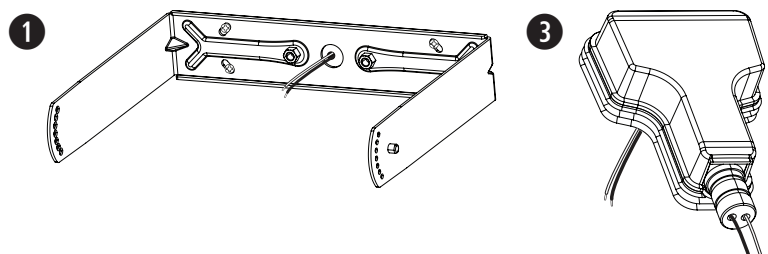
Note: Choose appropriate fasteners to support the weight of the loudspeaker (11.1 kg [24.5 lb]).

1. Mark the drill holes.
2. Drill four holes (sized for appropriate fasteners) into the wall.
3. Secure the bracket to the wall with four screws (not included). **Note:** Use M6 or 1/4-inch sized screws.



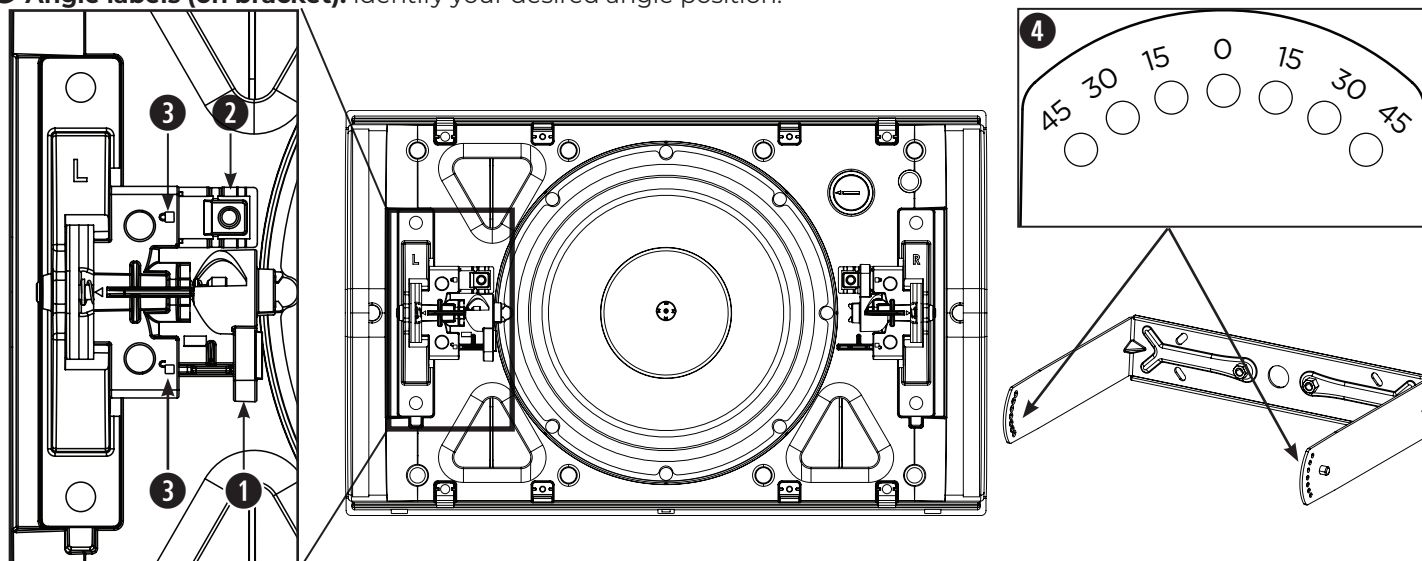
Wiring the Connector

1. Feed the wires through the center hole of the bracket.
2. Remove the connector from the loudspeaker.
3. If using the weather-resistant input cover, insert the wires through the bottom of the input cover. See **Preparing the Weather-resistant Input Cover** on page page 4.
4. Wire the connector. For wiring information, see **Wiring the Loudspeaker** on page page 5.



Important Mounting Information

- 1 **Lock levers:** Used to secure the loudspeaker to the mounting bracket. Push the levers toward the lock pins to lock; push the levers away from the lock pins to unlock.
- 2 **Lock pins:** Press the pins down to unlock the levers.
- 3 **Lock indicators:** Identify your locking direction.
- 4 **Angle labels (on bracket):** Identify your desired angle position.



Installing the Loudspeaker

Note: The loudspeaker is shipped with the lock levers taped down. Remove the tape before installation.

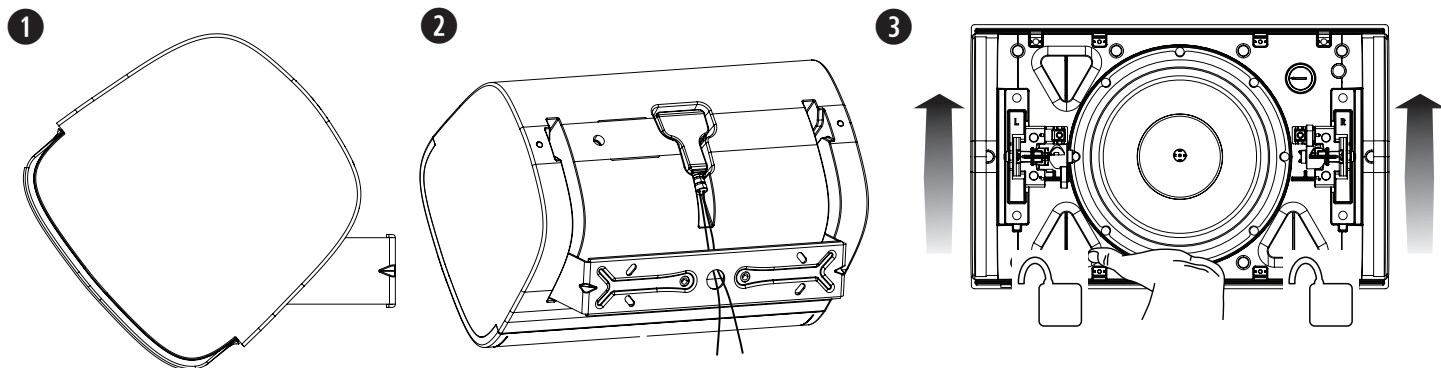
1. Attach the loudspeaker to the bracket, adjust the loudspeaker to 45°, and lock the levers into place.
2. Attach the wired connector to the loudspeaker.
3. Unlock the levers and adjust the loudspeaker to your desired angle. Make sure to support the weight of the loudspeaker while you adjust the loudspeaker angle.

Note: The angle of the loudspeaker can be adjusted to 0°, 15°, 30°, or 45°.

4. Lock the levers into place.



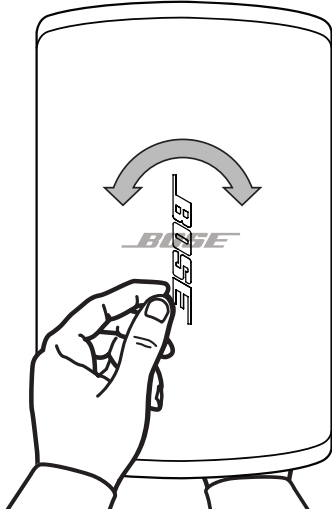
WARNING: Failing to push the levers into the lock position as instructed can create a falling hazard, which can result in property damage, serious injury, or death. It is the installer's responsibility to ensure the mounting system is installed according to the instruction.



Adjusting the Logo

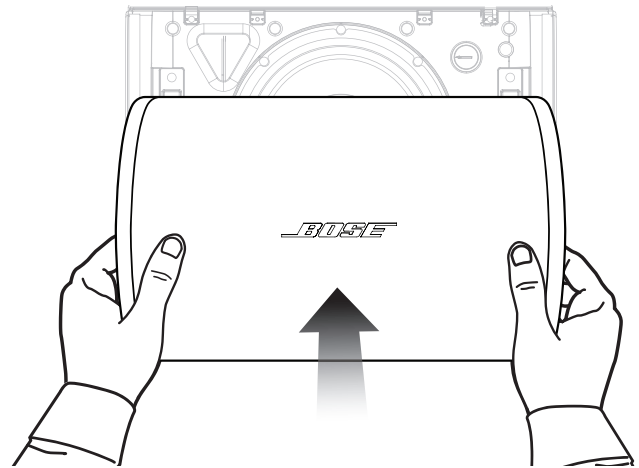
You can rotate the Bose logo to align with your loudspeaker orientation. With one hand, press the button on the back of the grille. Rotate the logo with the other hand. The logo can be rotated clockwise or counterclockwise.

Note: Do not pinch the button inward unless you intend to remove the logo.



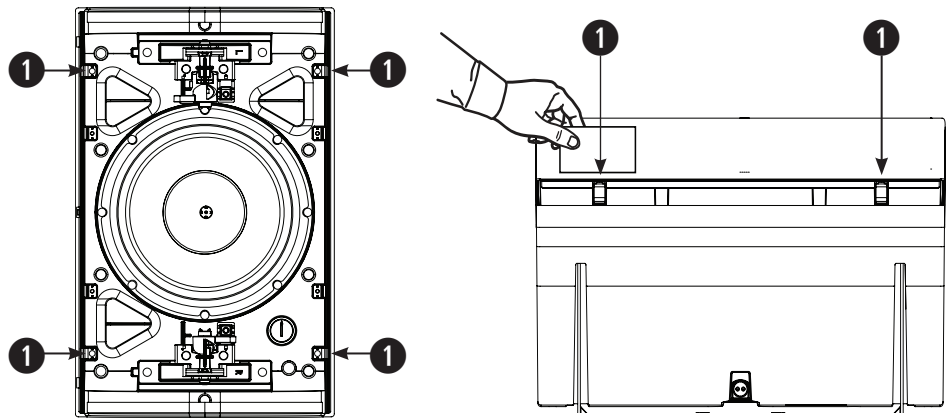
Attaching the Grille

Place the grille over the front of the loudspeaker and push it firmly until it snaps into place.



Removing the Grille

There are four small openings on each corner of the grille (1). Along the side of the loudspeaker, insert a small, flat tool into the grille openings to disengage the release tabs. Pull the grille away from the loudspeaker.



Safety and Regulatory Compliance

The DesignMax DM8SE loudspeaker has passed testing and complies with the following specifications and uses:

Listed to ANSI/UL 1480A-2016, Speakers for Commercial & Safety Professional Use

General-Purpose Use - UL Category UEAY/UEAY7, File Number S36835

Suitable for use in wet locations - IP55 per IEC 60529, 2019

The DesignMax DM8SE is suitable for use outdoors in wet locations

Suitable for installation using Class 1, Class 2, Class 3 wiring methods in accordance with NFPA 70, National Electrical Code, 2017, Article 640

The DesignMax DM8SE loudspeaker has been designed to the requirements defined in the following European regulatory specification for combination systems:

Tested to IEC60268-5, 2007

Lee y conserva todas las instrucciones de uso y seguridad.

Este producto está diseñado para ser instalado únicamente por instaladores profesionales. Este documento tiene por objeto proveer las pautas de seguridad e instalación básicas a los instaladores profesionales de este producto en sistemas comunes de instalación fija. Lee este documento y todas las advertencias de seguridad antes de comenzar la instalación.

No intentes reparar este producto por tu cuenta. Remite todas las reparaciones a centros de servicio, instaladores, técnicos o distribuidores autorizados. Para comunicarte con Bose Professional o encontrar un distribuidor cerca de ti, visita **BoseProfessional.com**.

1. Lee estas instrucciones.
2. Conserva estas instrucciones.
3. Presta atención a las advertencias.
4. Sigue todas las instrucciones.
5. No obstruyas ninguna abertura de ventilación. Realiza la instalación conforme a las instrucciones del fabricante.
6. No lo instales cerca de una fuente de calor, como radiadores, rejillas de calefacción, estufas u otros aparatos (incluidos los amplificadores) que produzcan calor.
7. Utiliza solamente los accesorios especificados por el fabricante.

**ADVERTENCIAS/PRECAUCIONES**

Este producto contiene materiales magnéticos. Consulta con tu médico si esto podría afectar a un dispositivo médico implantable.

- Es responsabilidad del instalador utilizar un sistema de soporte que tenga la suficiente resistencia a la carga del viento para cumplir con los códigos y normas aplicables.
- Todos los productos Bose Professional deben instalarse conforme a las leyes locales, estatales, federales y del sector. Es responsabilidad del instalador garantizar que la instalación del sistema de soporte y los altavoces se realice conforme a los códigos aplicables, incluidos los códigos y las reglamentaciones de construcción locales. Consulta a la autoridad local competente antes de instalar este producto.
- Este producto no está diseñado para ser instalado ni utilizado en zonas de instalaciones acuáticas en interiores (incluidos, entre otros, piscinas techadas, parques acuáticos techados, jacuzzis, saunas, salas de vapor y pistas de patinaje techadas).
- El montaje inseguro o la suspensión en altura de cualquier carga pesada pueden provocar lesiones graves o la muerte, además de daños a la propiedad. Es responsabilidad del instalador evaluar la confiabilidad de cualquier método de montaje utilizado para su aplicación. Solo los instaladores profesionales con conocimiento de los componentes físicos adecuados y las técnicas de montaje seguro deberían intentar instalar cualquier altavoz en altura.
- Montar únicamente en superficies que sean resistentes y que no presenten peligros ocultos, como cableado eléctrico o plomería. Si no estás seguro acerca de cómo instalar el soporte, comunícate con un instalador profesional cualificado. Asegúrate de que el soporte esté instalado de acuerdo con los códigos locales de construcción.
- Utiliza solo los componentes y accesorios incluidos, o bien los que Bose Professional especifica como aptos para los altavoces DesignMax DM8SE. No se suministran los componentes para fijar el altavoz a la superficie de montaje. Para obtener información sobre los accesorios compatibles, consulta la ficha técnica del producto en **BoseProfessional.com**.
- Mantén el producto lejos del fuego y de fuentes de calor. No coloques sobre el producto, o en su proximidad, fuentes de llamas sin protección; por ejemplo, velas encendidas.
- No realices alteraciones no autorizadas a este producto.
- El soporte para montaje en pared DesignMax DM8SE está destinado únicamente para el uso con el modelo DM8SE.
- No expongas el altavoz ni los componentes de montaje a sustancias químicas que no hayan sido especificadas por Bose Professional, incluidos, entre otros, lubricantes, productos de limpieza, aerosoles de contacto u otros disolventes a base de hidrocarburos. La exposición a estas sustancias puede degradar el plástico, lo que produce grietas y el riesgo de que se caiga el dispositivo.
- Limpia los altavoces solo con un paño seco. No expongas los altavoces a detergentes, aceite mineral, alcohol ni otros agentes o químicos de limpieza.
- Evite tocar el cableado no aislado o los terminales de cableado. Los terminales de cableado de audio de este producto transmiten voltaje que puede causar incomodidad al contacto.

Información normativa

Este producto cumple con todos los requisitos correspondientes de la Directiva de la UE. La declaración de conformidad completa se puede encontrar en la página específica del producto: **BoseProfessional.com**



Este símbolo indica que el producto no se debe desechar como residuo doméstico y se debe enviar a una planta para tratamiento de residuos apropiada para su reciclado. Una eliminación y un reciclado adecuados ayudan a proteger los recursos naturales, la salud humana y el medioambiente. Para obtener más información acerca de la eliminación y el reciclado de este producto, comuníquese con tu municipalidad local, un centro de servicios de desecho o la tienda donde se compró este producto.

Tabla de sustancias peligrosas restringidas en China

Nombres y contenido de elementos o sustancias tóxicas o peligrosas						
Elementos o sustancias tóxicas o peligrosas						
Nombre de la pieza	Plomo (Pb)	Mercurio (Hg)	Cadmio (Cd)	Cromo hexavalente (CR(VI))	Bifenilo polibromado (PBB)	Difenil éter polibromado (PBDE)
PCB	X	O	O	O	O	O
Piezas metálicas	X	O	O	O	O	O
Piezas plásticas	O	O	O	O	O	O
Altavoces	X	O	O	O	O	O
Cables	X	O	O	O	O	O

Esta tabla se preparó conforme a las cláusulas de SJ/T 11364.
 O: indica que dicha sustancia peligrosa contenida en todos los materiales homogéneos de esta pieza se encuentra por debajo del requisito límite de GB/T 26572.
 X: indica que esta sustancia tóxica o peligrosa que está presente en al menos uno de los materiales homogéneos utilizados para esta parte se encuentra por encima del requisito de límite de GB/T 26572.

**Tabla de sustancias peligrosas restringidas en Taiwán**

Nombre del equipo: DesignMax DM8SE. Designación de tipo: 892116						
Sustancias restringidas y símbolos químicos						
Unidad	Plomo (Pb)	Mercurio (Hg)	Cadmio (Cd)	Cromo hexavalente (Cr+6)	Bifenilos polibromados (PBB)	Éteres difenil polibromados (PBDE)
PCB	-	O	O	O	O	O
Piezas metálicas	-	O	O	O	O	O
Piezas plásticas	O	O	O	O	O	O
Altavoces	-	O	O	O	O	O
Cables	-	O	O	O	O	O

Nota 1: "O" indica que el contenido porcentual de la sustancia restringida no excede el porcentaje de valor de referencia de presencia.
 Nota 2: El "-" indica que la sustancia restringida corresponde a la exención.

Fecha de fabricación: el octavo dígito del número de serie indica el año de fabricación; "7" es 2007 o 2017.

Importador en la UE: Transom Post Netherlands B.V., Keizersgracht 391A, 1016 EJ, Ámsterdam | **Importador en el Reino Unido:** Transom Post Netherlands UK, Squires House 205a High Street, West Wickham, BR4 0PH | **Importador en Japón:** Transom Post International Japan KK Co., Ltd. PMO Tamachi IV Shiba5-29-19, Minato-ku, Tokio | **Importador en Australia:** Transom Post Australia Pty. Ltd., Level 14, 60 Margaret Street, Sídney, NSW 2000 | **Importador en China:** Transom Post (Shanghai) Audio Co. Ltd Room 2209, Building 1, 175 Longyao Road, Xuhui District, Shanghai | **Importador en México:** POST INTL MEXICO, S. DE R.L. DE C.V. Insurgentes Sur n.º 1079, piso 1, Colonia Noche Buena, Benito Juárez, C.P. 03270, Ciudad de México | **Importador en los EAU:** 102 A, Sama Tower Sheikh Zayed Road, Dubái, Emiratos Árabes Unidos

Bose es una marca comercial de Bose Corporation.

DesignMax es una marca comercial de Transom Post OpCo LLC.

Bose Professional, 117 South St, Hopkinton, MA 01748 EE. UU.

©2024 Transom Post OpCo LLC. Ninguna parte de este trabajo podrá reproducirse, modificarse, distribuirse ni usarse sin un permiso previo por escrito.

Información de la garantía

Este producto está cubierto con una garantía limitada.

Para obtener información sobre la garantía, visita **BoseProfessional.com/Warranty**.

Especificaciones del producto:

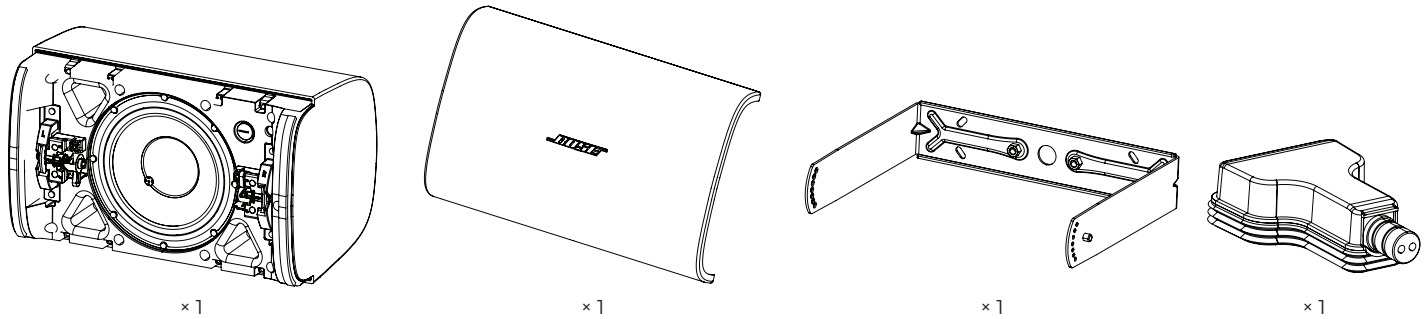
Voltaje de entrada: 70 V/100 V

Impedancia: 8 Ω, 125 W

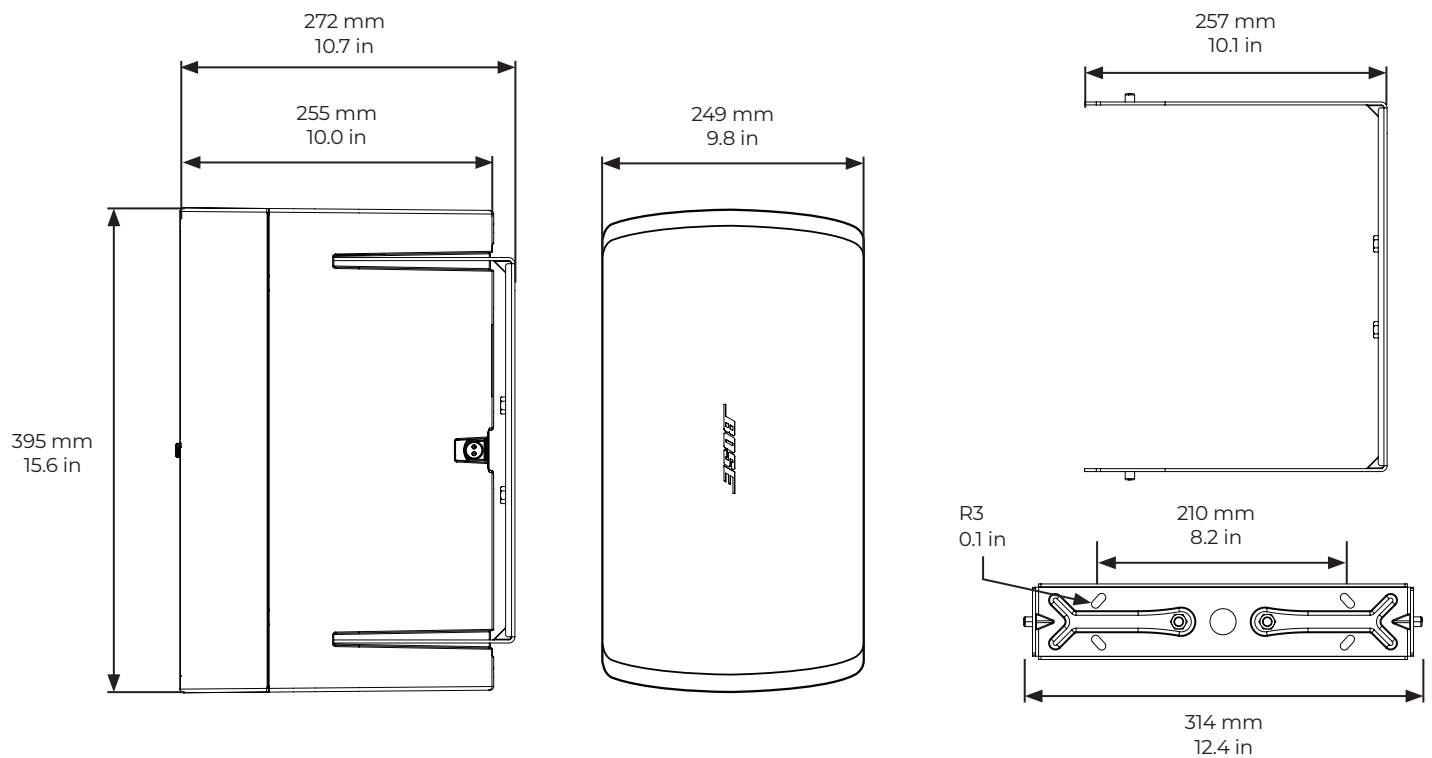
Opciones de potencia de salida: (70 V): 2.5 W, 5 W, 10 W, 20 W, 40 W, 80 W; (100 V): 5 W, 10 W, 20 W, 40 W, 80 W

Descripción general

Contenido de la caja



Dimensiones del producto



Especificaciones técnicas

Para obtener especificaciones adicionales, consulta la ficha técnica de DesignMax DM8SE en BoseProfessional.com.

Características físicas	
Peso neto, altavoz con rejilla y soporte	11.1 kg (24.5 lb)
Peso de envío	13 kg (28.5 lb)
Ambiente de uso	Apto para su uso en lugares húmedos IP55 según la norma IEC 60529, 2019

Información importante sobre la instalación

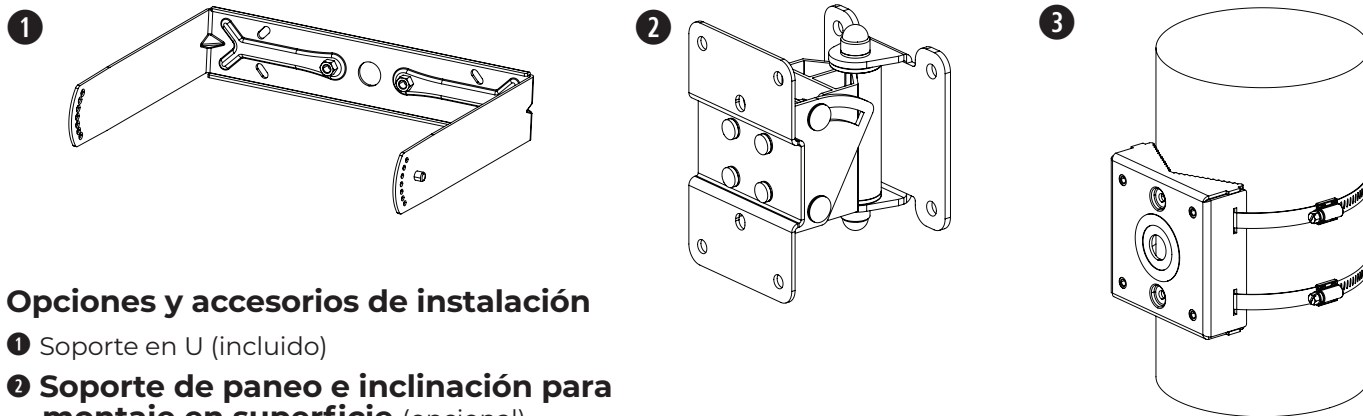


Antes de instalar el altavoz, revise las **Instrucciones importantes de seguridad** en la página 2.



Para **aplicaciones de instalación de audio de uso general**, cuenta con clasificación ambiental de uso IP55 según la norma EN 60529.

Opciones de instalación



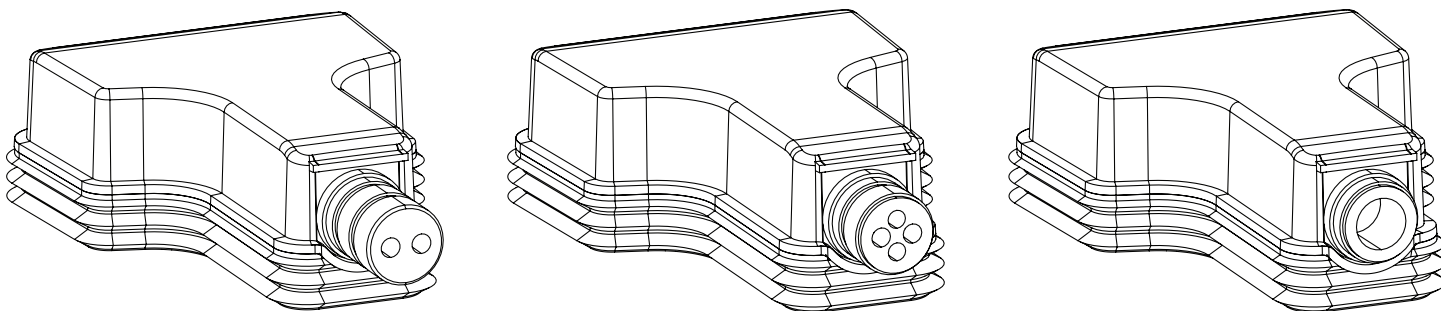
Opciones y accesorios de instalación

- ❶ Soporte en U (incluido)
- ❷ Soporte de paneo e inclinación para montaje en superficie (opcional)
- ❸ Soporte para montaje en poste (opcional)

Entrada única

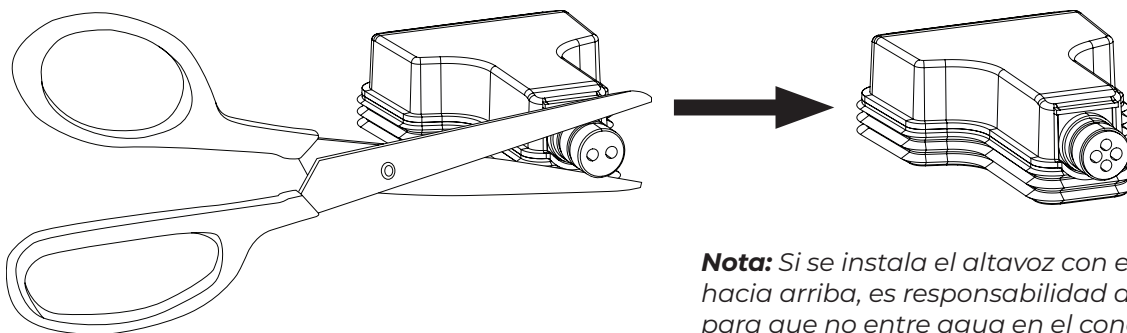
Entrada y salida

Abertura completa

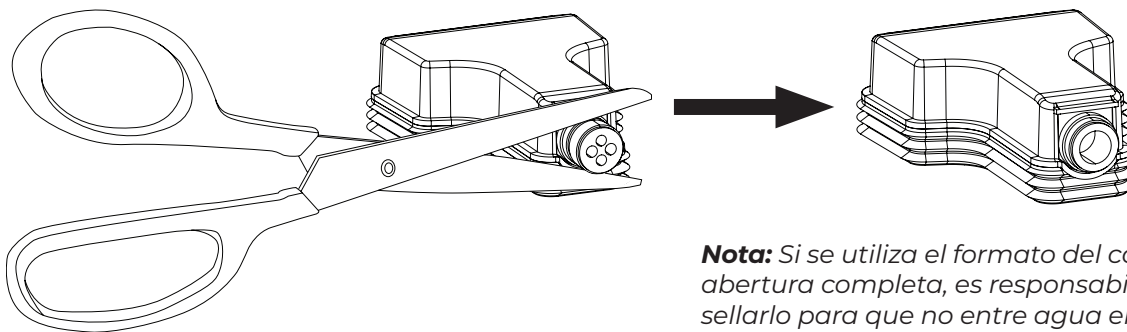


Preparación de la cubierta de entrada resistente a la intemperie

La cubierta de entrada resistente a la intemperie se diseñó para tres arreglos de cableado diferentes (consulta las imágenes ubicadas arriba). Para cambiar el formato de la cubierta de entrada a fin de ser compatible con el arreglo del cableado, corte a lo largo de la perforación en el conducto de goma.



Nota: Si se instala el altavoz con el conducto de goma hacia arriba, es responsabilidad del instalador sellarlo para que no entre agua en el conector Euroblock.



Nota: Si se utiliza el formato del conducto de goma de abertura completa, es responsabilidad del instalador sellarlo para que no entre agua en el conector Euroblock.

Cableado del altavoz

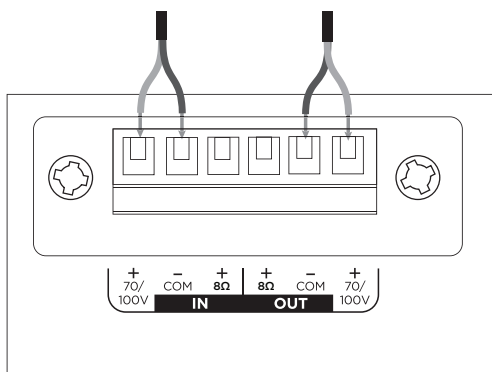
Calibre de cable

El altavoz DesignMax DM8SE está diseñado para funcionar únicamente con cables que midan de 18 AWG (0.8 mm²) a 14 AWG (2.1 mm²).

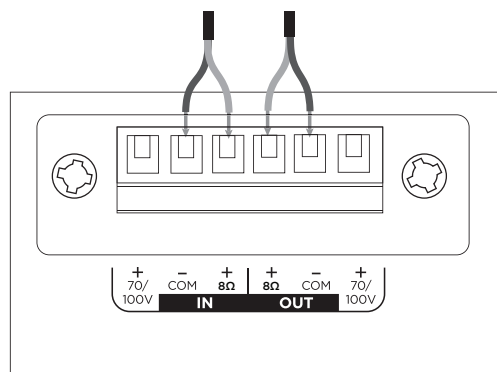
Diagramas de conexión

Expón 6 mm (¼") de cable sin aislamiento para conectarlo a los terminales.

Nota: El altavoz no está diseñado para su uso con un conducto rígido. El altavoz es apto solamente para conexiones mediante cableado o conductos flexibles.

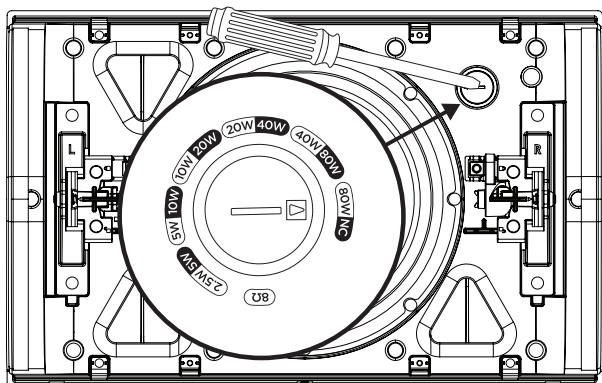


70 V/100 V



8 Ω

Configuración del altavoz



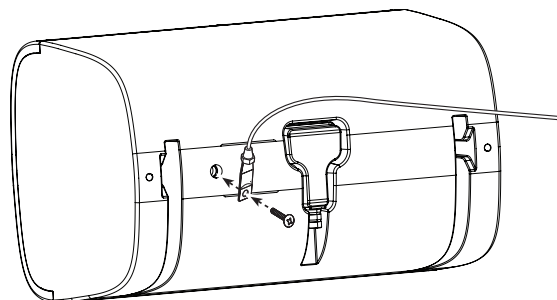
70 V						8 Ω
2.5 W	5 W	10 W	20 W	40 W	80 W*	
5 W	10 W	20 W	40 W	80 W	NC**	
100 V						

* Predeterminado de fábrica

** NC: Sin conexión (no utilizar)

Configuración de los ajustes del transformador

Gira la toma para ajustar la configuración. Utiliza un destornillador de cabeza plana.



Uso de un cable de seguridad

En algunos códigos regionales de construcción se exige el uso de un método secundario de fijación de los altavoces a estructuras de apoyo con el propósito de brindar mayor seguridad. Elige una posición de montaje, un método y los componentes que cumplan con los códigos y los reglamentos locales de construcción.

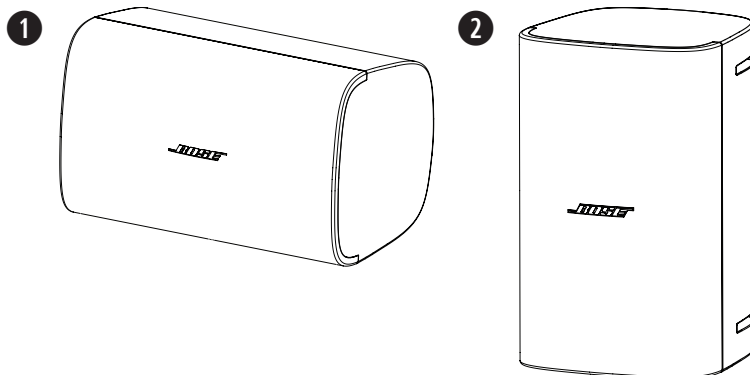
Se puede conectar un cable de seguridad al altavoz mediante la inserción roscada situada en la parte posterior de la carcasa.

La inserción tiene la medida de un tornillo M8 (no incluido) con una profundidad de 20 milímetros (0.79 pulgadas).

Orientación del altavoz

Escoge la orientación del altavoz que se adapte mejor a tu instalación.

- ❶ Horizontal
- ❷ Vertical



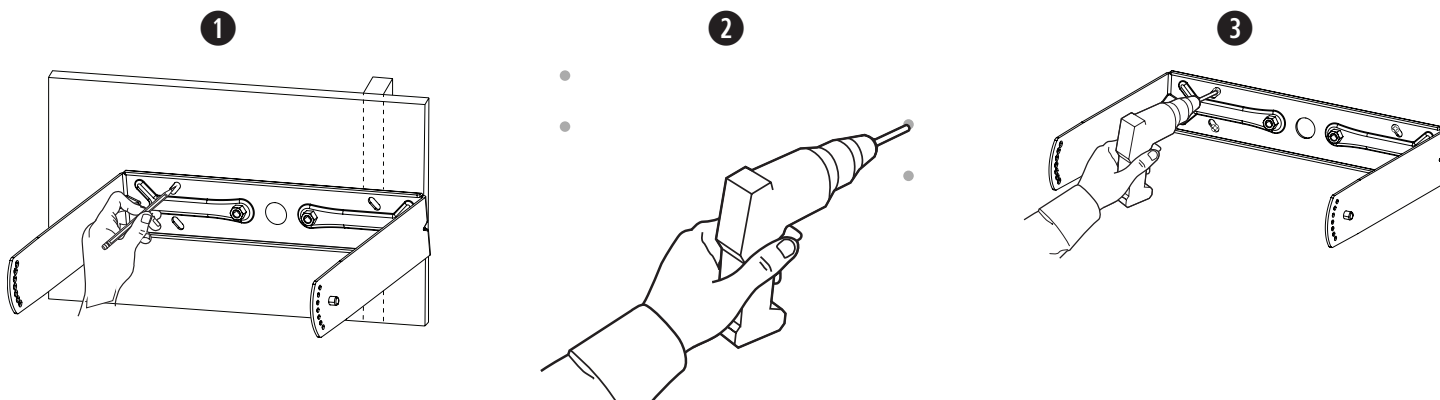
Nota: Si el altavoz se instala cerca de superficies de cocina, como entornos comerciales de cocina en los que quede expuesto directamente a aceites, es posible que disminuya el rendimiento o la operatividad del dispositivo.

Instalación del soporte

Nota: En el momento de elegir una ubicación de instalación, al menos dos de los puntos de fijación del soporte de montaje deben fijarse a una estructura de soporte. Los puntos de fijación no asegurados a una estructura de soporte deben ajustarse con las herramientas adecuadas para la instalación. Elige sujetadores que sean adecuados para todas las normas y los requisitos de construcción locales.

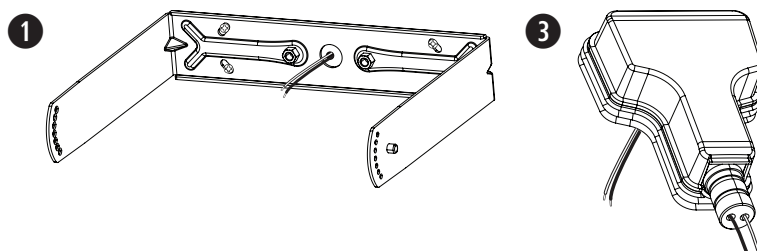
Nota: Elige los sujetadores adecuados para soportar el peso del altavoz (11.1 kg [24.5 lb]).

1. Marca el lugar en el que harás los orificios con el taladro.
2. Perfora cuatro orificios (del tamaño adecuado para las fijaciones) en la pared.
3. Fija el soporte a la pared con cuatro tornillos (no incluidos). **Nota:** Utiliza tornillos de tamaño M6 o de 1/4".



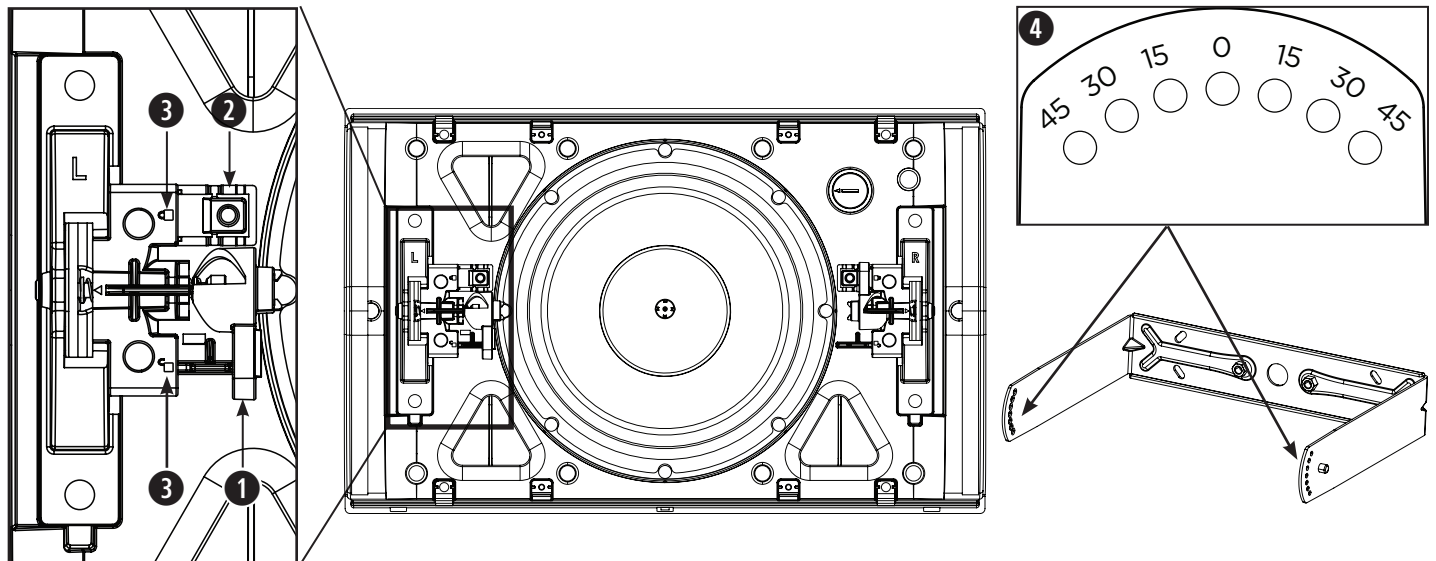
Conexión del conector

1. Pasa los cables a través del orificio central del soporte.
2. Retira el conector del altavoz.
3. Si utilizas la cubierta de entrada resistente a la intemperie, inserta los cables a través de la parte inferior de la cubierta de entrada. Consulta **Preparación de la cubierta de entrada resistente a la intemperie** en la página page 11.
4. Conecta el altavoz. Para obtener información sobre el cableado, consulta **Cableado del altavoz** en la página page 12.



Información importante sobre el montaje

- 1 Palancas de bloqueo:** Se utilizan para fijar el altavoz al soporte para montaje. Empuja las palancas hacia los pines de bloqueo para bloquearlas; empuja las palancas en la dirección opuesta de los pines de bloqueo para desbloquearlas.
- 2 Pines de bloqueo:** Presiona los pines hacia abajo para liberar las palancas.
- 3 Indicadores de bloqueo:** Identifica la dirección de bloqueo.
- 4 Indicadores de ángulo (en el soporte):** Identifica la posición de ángulo deseada.



Instalación del altavoz

Nota: El altavoz se envía con las palancas de bloqueo aseguradas con cinta adhesiva. Retira la cinta antes de la instalación.

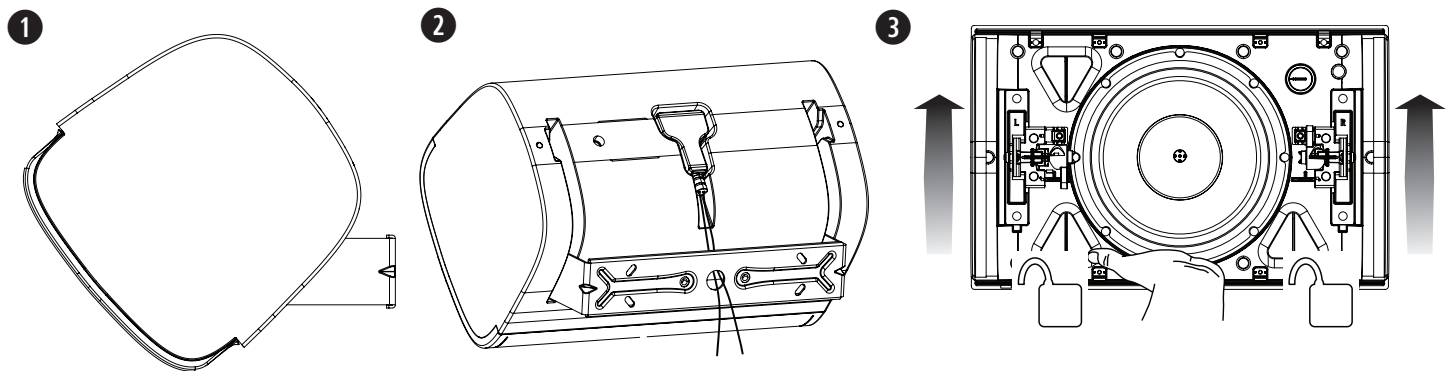
1. Conecta el altavoz al soporte, ajusta el altavoz a 45° y bloquea las palancas en el lugar que corresponde.
2. Fija el conector con cables al altavoz.
3. Libera las palancas y ajusta el altavoz al ángulo de tu preferencia. Asegúrate de sostener el peso del altavoz mientras ajustas su ángulo.

Nota: El ángulo del altavoz se puede ajustar a 0°, 15°, 30° o 45°.

4. Asegura las palancas en la posición que corresponde.



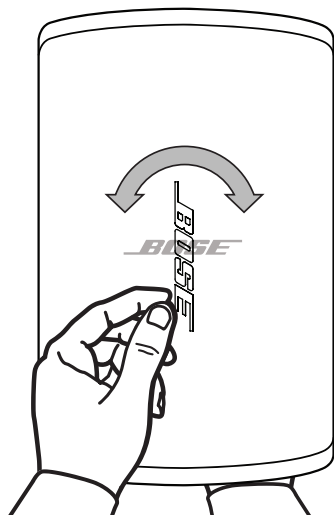
ADVERTENCIA: Si no empujas las palancas para que queden en la posición de bloqueo indicada, puede crear un riesgo de caída, lo que a su vez puede provocar daños a la propiedad, lesiones graves o la muerte. Es la responsabilidad de quien realiza la instalación garantizar que el sistema de montaje esté instalado conforme a las instrucciones.



Ajuste del logotipo

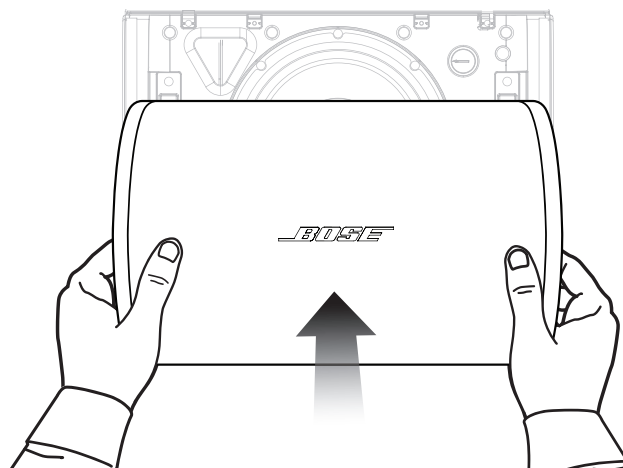
Puedes girar el logotipo de Bose para alinearlo con la orientación del altavoz. Con una mano, presiona el botón de la parte posterior de la rejilla. Gira el logotipo con la otra mano. El logotipo se puede girar hacia la derecha o la izquierda.

Nota: No aprietes el botón hacia adentro, a menos que tengas la intención de quitar el logotipo.



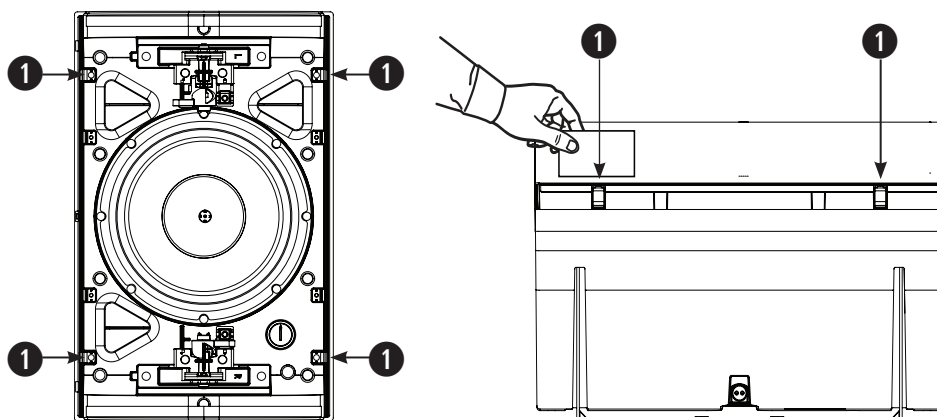
Fijación de la rejilla

Coloca la rejilla sobre la parte frontal del altavoz y presiónala firmemente hasta que encaje en su lugar.



Extracción de la rejilla

Hay cuatro pequeñas aberturas en cada esquina de la rejilla (1). En la parte lateral del altavoz, inserta una herramienta pequeña y plana en las aberturas de la rejilla para soltar las lengüetas. Retira la rejilla del altavoz.



Cumplimiento de las normativas y los reglamentos de seguridad

El altavoz DesignMax DM8SE ha superado pruebas y cumple con los siguientes usos y especificaciones:

Registrados en el estándar ANSI/UL 1480A-2016 para altavoces de uso comercial y profesional seguro

Uso general: UL categoría UEAY/UEAY7, número de archivo S36835

Apto para su uso en lugares húmedos: IP55 según la norma IEC 60529, 2019

El altavoz DesignMax DM8SE es adecuado para su uso en áreas exteriores en lugares húmedos.

Apto para instalación con métodos de cableado Clase 1, Clase 2 o Clase 3 de conformidad con el estándar NFPA 70, Código Eléctrico Nacional, 2017, Artículo 640

El altavoz DesignMax DM8SE se diseñó según los requisitos definidos en la siguiente especificación reglamentaria europea para sistemas combinados:

Probado según IEC60268-5, 2007

Merci de lire et de conserver le manuel d'instruction et de respecter les consignes de sécurité.

L'installation de ce produit doit être effectuée par un technicien professionnel !

Ce document est destiné à fournir aux techniciens professionnels les directives de montage et de sécurité relatives à ce produit dédié à une installation fixe. Avant de procéder à l'installation, veuillez lire ce document, ainsi que l'ensemble des avertissements de sécurité.

Ne tentez pas de réparer ce produit vous-même. Confiez toutes les opérations de maintenance à des centres de service, installateurs, techniciens, revendeurs ou distributeurs agréés. Pour contacter Bose Professional ou pour trouver un revendeur ou un distributeur près de chez vous, rendez-vous sur le site BoseProfessional.com.

1. Veuillez lire ces instructions.
2. Veuillez conserver ces instructions.
3. Respectez tous les avertissements.
4. Suivez toutes les instructions.
5. N'obstruez jamais les ouïes d'aération. Suivez les instructions d'installation du fabricant.
6. N'installez pas cet appareil à proximité d'une quelconque source de chaleur, telle qu'un radiateur, une arrivée d'air chaud, un four ou tout autre appareil (notamment les amplificateurs) produisant de la chaleur.
7. N'utilisez que des accessoires spécifiés par le fabricant.

AVERTISSEMENTS/PRÉCAUTIONS

Ce produit contient des matériaux magnétiques. Consultez votre médecin afin de savoir si ces matériaux peuvent avoir une incidence sur tout dispositif médical implanté.

- Il incombe à l'installateur d'utiliser un système de support dont la résistance au vent est suffisante pour garantir la conformité aux codes et normes applicables.
- Tous les produits Bose Professional doivent être installés dans le respect des réglementations locales et nationales. L'installateur est responsable du respect de tous les codes et règlements locaux et nationaux en vigueur applicables à l'installation et au montage des enceintes. Consultez les autorités locales compétentes avant d'installer ce produit.
- Ce produit n'est pas destiné à être monté ou utilisé dans des installations humides en intérieur (par exemple piscine intérieure, parc aquatique intérieur, baignoire à remous, sauna, hammam, patinoire intérieure, etc.).
- Tout montage non sécurisé ou suspension en hauteur d'une lourde charge peut provoquer des dégâts matériels et des blessures graves, voire la mort. Il est de la responsabilité de l'installateur d'évaluer la fiabilité de la méthode de montage utilisée, en fonction de l'application. Seul un installateur professionnel connaissant les accessoires et techniques de montage adaptés est qualifié pour installer des enceintes en hauteur.
- N'installez pas l'appareil sur des surfaces peu résistantes ou dans lesquelles peuvent être intégrés des éléments dangereux, tels que des fils électriques ou des tuyaux de plomberie. En cas de doute, faites appel à un installateur professionnel. Veillez à installer le support conformément aux normes de construction locales.
- N'utilisez que le matériel et les accessoires livrés ou spécifiés par Bose Professional pour une utilisation avec les enceintes DesignMax DM8SE. Le matériel de fixation de l'enceinte sur la surface de montage n'est pas fourni. Pour plus d'informations sur les accessoires compatibles, reportez-vous à la fiche technique du produit disponible sur BoseProfessional.com.
- Tenez le produit à l'écart du feu et des sources de chaleur. Ne placez jamais d'objets enflammés, tels que des bougies allumées, sur l'appareil.
- Veillez à ne pas effectuer de modifications non autorisées sur ce produit.
- Le support de montage mural des enceintes DesignMax DM8SE ne peut être utilisé qu'avec le modèle DM8SE.
- N'exposez pas l'enceinte ou les accessoires de montage à des substances chimiques qui ne sont pas spécifiées par Bose Professional, par exemple (mais pas que) les lubrifiants, les produits de nettoyage, les sprays pour contacts ou autres solvants à base d'hydrocarbures. L'exposition à de telles substances peut provoquer une dégradation du matériau plastique, se traduisant par des fêlures pouvant conduire à une chute de l'enceinte.
- Nettoyez les enceintes uniquement avec un chiffon sec. N'exposez pas l'enceinte à du savon, des détergents, des huiles minérales, de l'alcool ou d'autres agents nettoyants ou chimiques.
- Évitez de toucher les bornes ou éléments de câblages non isolés. Les bornes de connexion audio de ce produit sont sous tension, ce qui peut provoquer une sensation désagréable en cas de contact.

Spécifications du produit :

Tension d'entrée : 70 V/100 V

Impédance : 8 Ω, 125 W

Courant ou puissance : (ligne 70 V) : 2,5 W, 5 W, 10 W, 20 W, 80 W ;

(ligne 100 V) : 5 W, 10 W, 20 W, 40 W, 80 W

Informations réglementaires



Ce produit est conforme à toutes les directives de l'Union européenne qui s'y appliquent. La déclaration de conformité complète est disponible sur la page spécifique au produit : BoseProfessional.com



Ce symbole signifie que le produit ne doit pas être jeté avec les déchets ménagers, mais qu'il doit être déposé dans un centre de collecte approprié pour recyclage. Une mise au rebut et un recyclage adéquats permettent de protéger les ressources naturelles, la santé humaine et l'environnement. Pour plus d'informations sur la mise au rebut et le recyclage de ce produit, contactez votre mairie, votre service d'enlèvement des ordures ou le magasin où vous avez acheté ce produit.

Tableau des restrictions concernant les substances dangereuses en Chine

Noms et quantités des substances ou éléments toxiques ou dangereux						
Substances ou éléments toxiques ou dangereux						
Nom	Plomb (Pb)	Mercuré (Hg)	Cadmium (Cd)	Chrome hexavalent (Cr(VI))	Biphényles polybromés (PBB)	Éther de diphényle polybromé (PBDE)
Polychlorobiphényles (PCB)	X	O	O	O	O	O
Pièces métalliques	X	O	O	O	O	O
Pièces en plastique	O	O	O	O	O	O
Enceintes	X	O	O	O	O	O
Câbles	X	O	O	O	O	O

Les données de ce tableau sont conformes aux dispositions de la norme SJ/T 11364.
 O : indique que la quantité de cette substance toxique ou dangereuse contenue dans tous les composants homogènes de cette pièce est inférieure à la limite définie dans la norme GB/T 26572.
 X : indique que la quantité de cette substance toxique ou dangereuse contenue dans au moins un des composants homogènes de cette pièce est supérieure à la limite définie dans la norme GB/T 26572.



Tableau des restrictions concernant les substances dangereuses à Taiwan

Nom de l'appareil : DesignMax DM8SE, désignation type : 892116						
Substances réglementées et leurs symboles chimiques						
Élément	Plomb (Pb)	Mercuré (Hg)	Cadmium (Cd)	Chrome hexavalent (Cr+6)	Biphényles polybromés (PBB)	Éthers de diphényle polybromés (PBDE)
Polychlorobiphényles (PCB)	-	o	o	o	o	o
Pièces métalliques	-	o	o	o	o	o
Pièces en plastique	o	o	o	o	o	o
Enceintes	-	o	o	o	o	o
Câbles	-	o	o	o	o	o

Remarque 1 : « o » indique que le pourcentage de la substance réglementée ne dépasse pas le pourcentage de la valeur de référence de présence de cette substance.
 Remarque 2 : « - » indique l'absence de cette substance réglementée.

Date de fabrication : le huitième chiffre du numéro de série indique l'année de fabrication ; par exemple, « 7 » correspond à 2007 ou à 2017.

Importateur pour l'UE : Transom Post Netherlands B.V., Keizersgracht 391A, 1016 EJ, Amsterdam | **Importateur pour le Royaume-Uni :** Transom Post Netherlands UK, Squires House 205a High Street, West Wickham, BR4 0PH | **Importateur pour le Japon :** Transom Post International Japan KK Co., Ltd. PMO Tamachi IV Shiba5-29-19, Minato-ku, Tokyo | **Importateur pour l'Australie :** Transom Post Australia Pty. Ltd., Level 14, 60 Margaret Street, Sydney, NSW 2000 | **Importateur pour la Chine :** Transom Post (Shanghai) Audio Co. Ltd Room 2209, Building 1, 175 Longyao Road, Xuhui District, Shanghai | **Importateur pour le Mexique :** POST INTL MEXICO, S. DE R.L. DE C.V. Insurgentes Sur No. 1079, 1st floor, Colonia Noche Buena, Benito Juárez, C.P. 03270, Mexico City | **Importateur pour les Émirats arabes unis :** 102 A, Sama Tower Sheikh Zayed Road, Dubai UAE

Bose est une marque commerciale de Bose Corporation.

DesignMax est une marque commerciale de Transom Post OpCo LLC.

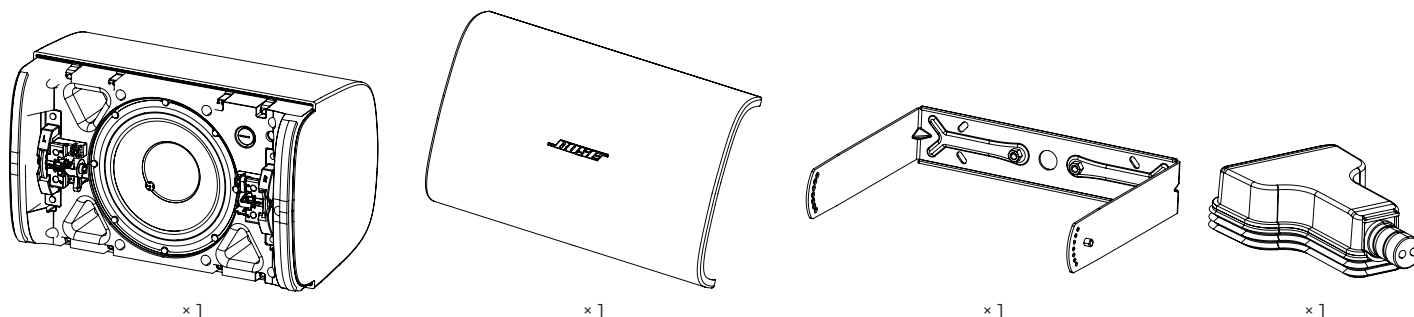
Bose Professional, 117 South St, Hopkinton, MA 01748 USA

©2024 Transom Post OpCo LLC. Toute reproduction, modification, distribution ou autre utilisation, même partielle, de ce document est interdite sans autorisation écrite préalable.

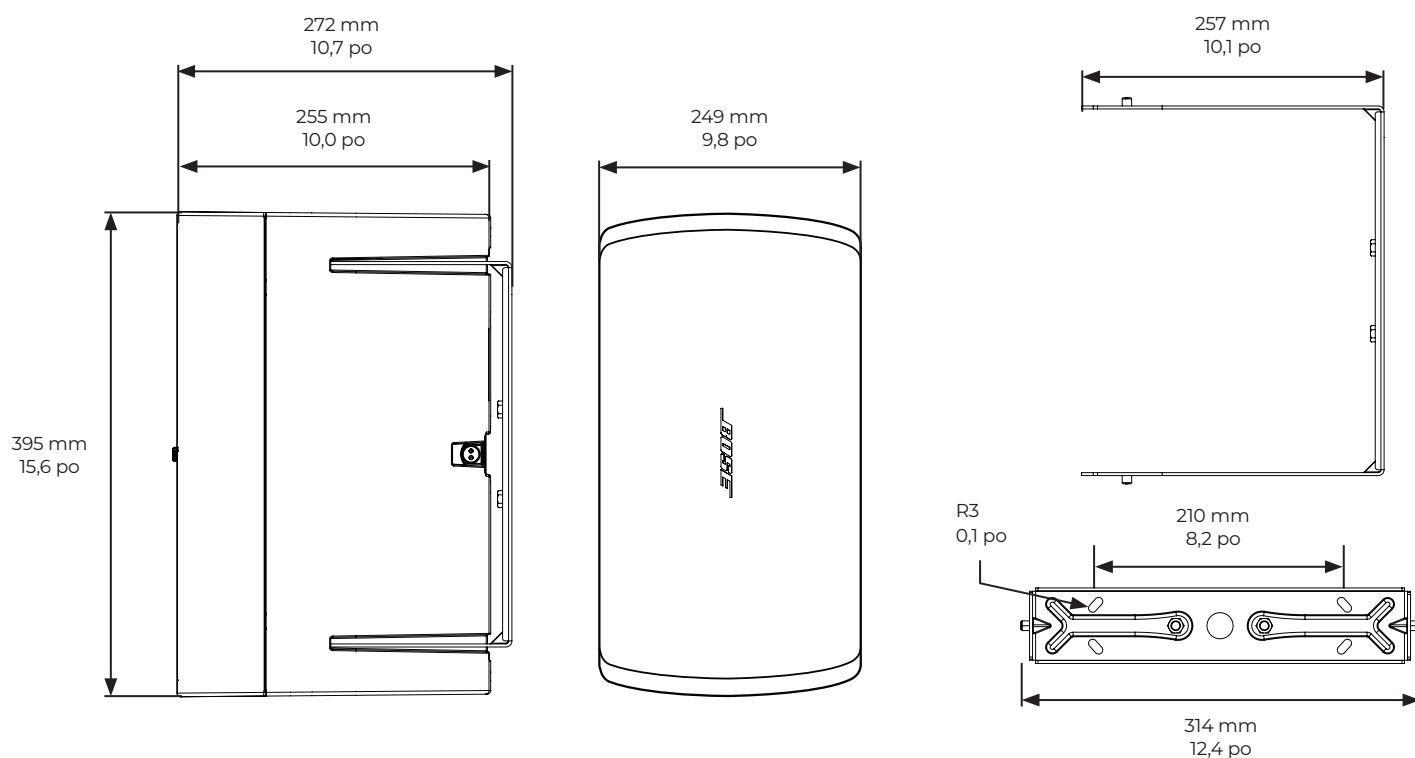
Informations relatives à la garantie

Cet appareil est couvert par une garantie limitée.
 Pour en savoir plus sur la garantie, consultez la page BoseProfessional.com/Warranty.

Contenu de l'emballage



Dimensions du produit



Caractéristiques techniques

Vous trouverez des caractéristiques supplémentaires dans la fiche technique des enceintes EdgeMax DM8SE sur BoseProfessional.com.

Caractéristiques physiques	
Poids net, enceinte avec grille et support	11,1 kg (24,5 lb)
Poids brut	13 kg (28,5 lb)
Environnement	Adaptée à un usage en environnement humide Certifiée IP55 selon la norme CEI 60529, 2019

Informations importantes concernant l'installation

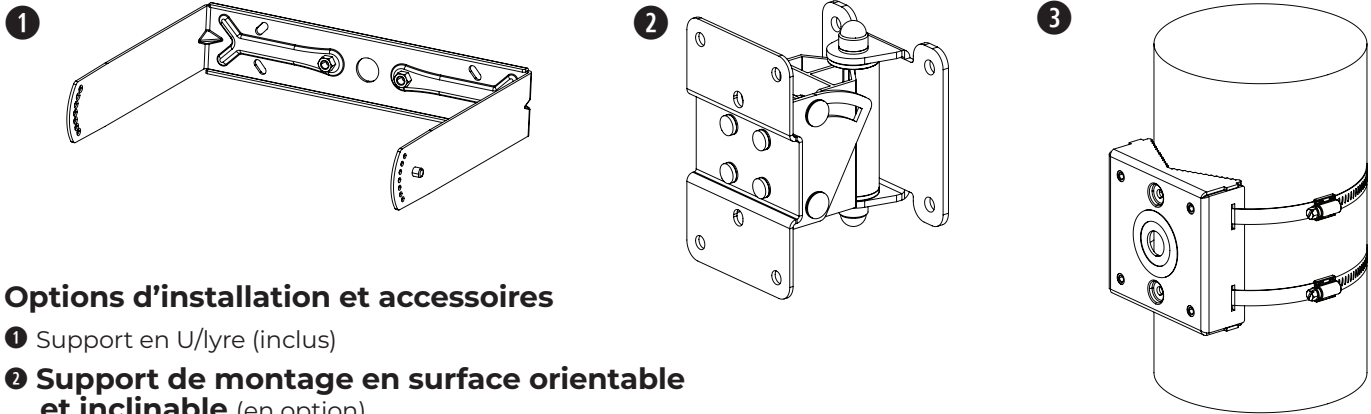


Avant d'installer l'enceinte, veuillez consulter les **Consignes de sécurité importantes** en page 2.



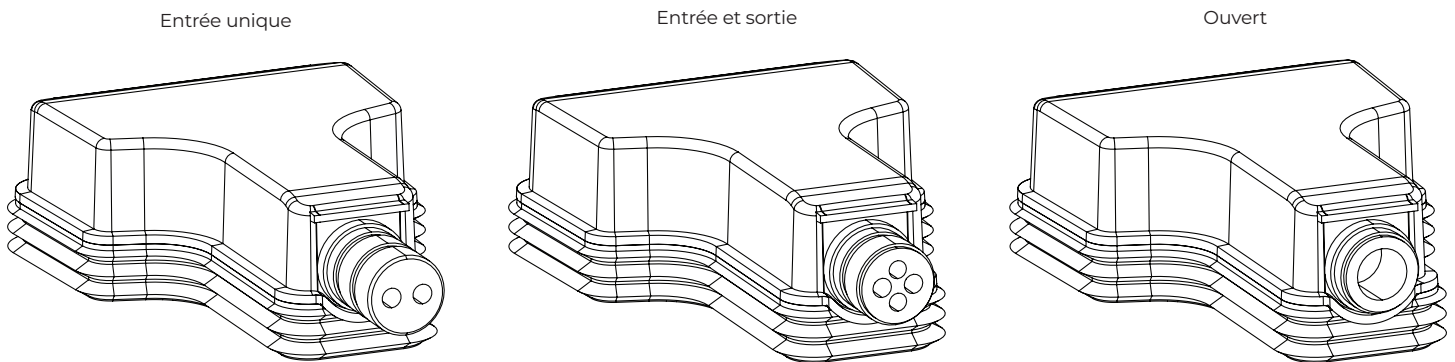
Pour **les applications d'installation audio d'usage général**, classée conforme à l'indice IP55 comme requis par la norme EN60529.

Options d'installation



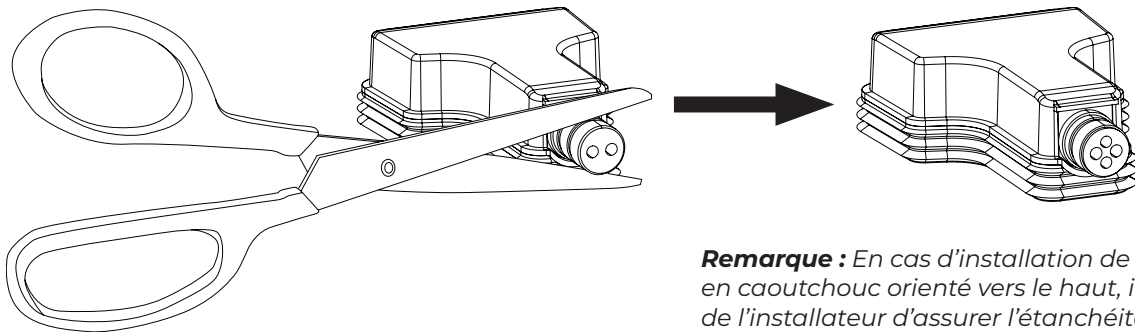
Options d'installation et accessoires

- ❶ Support en U/lyre (inclus)
- ❷ **Support de montage en surface orientable et inclinable** (en option)
- ❸ **Support pour montage sur mât** (en option)

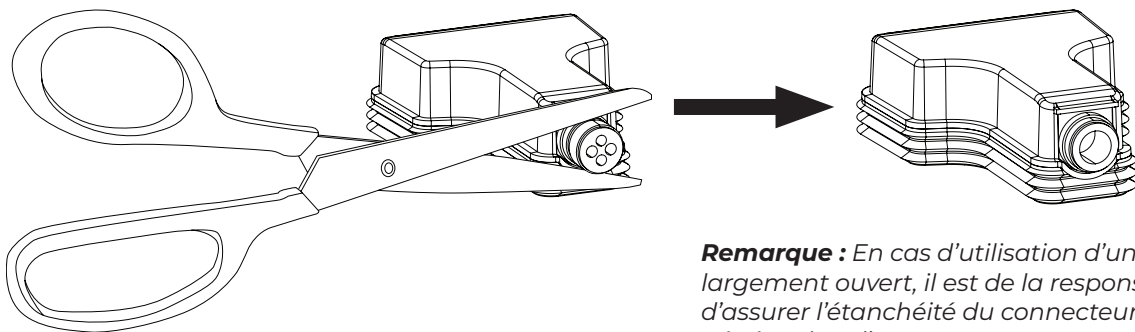


Préparation du capot de protection des entrées résistant aux intempéries

Le capot de protection des entrées résistant aux intempéries est conçu pour trois scénarios de câblage différents (voir ci-dessus). Pour modifier la configuration du capot de protection des entrées en fonction de votre scénario de câblage, découpez le long de la perforation du conduit en caoutchouc.



Remarque : En cas d'installation de l'enceinte avec le conduit en caoutchouc orienté vers le haut, il est de la responsabilité de l'installateur d'assurer l'étanchéité du connecteur Euroblock contre la pénétration d'eau.



Remarque : En cas d'utilisation d'un conduit en caoutchouc largement ouvert, il est de la responsabilité de l'installateur d'assurer l'étanchéité du connecteur Euroblock contre la pénétration d'eau.

Câblage de l'enceinte

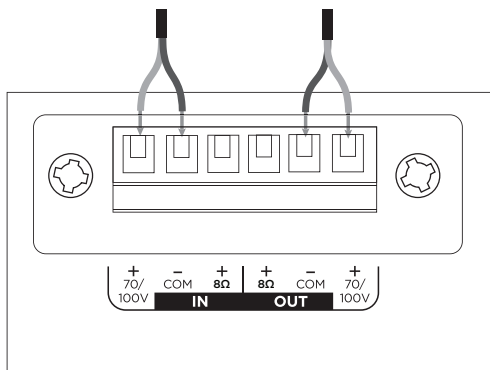
Section des câbles

L'enceinte DesignMax DM8SE est conçue pour fonctionner avec des câbles de taille AWG 18 (section 0,8 mm²) à AWG 14 (section 2,1 mm²) uniquement.

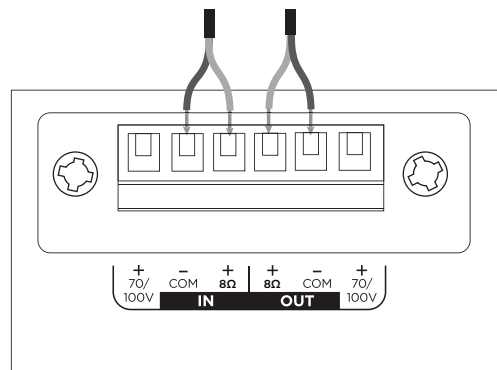
Diagrammes de connexion

Dénudez 6 millimètres (¼ po) de cuivre pour les relier aux bornes.

Remarque : L'enceinte n'est pas adaptée à une utilisation avec câbles haut-parleur rigides. Veuillez à utiliser uniquement des câbles flexibles pour le raccordement.

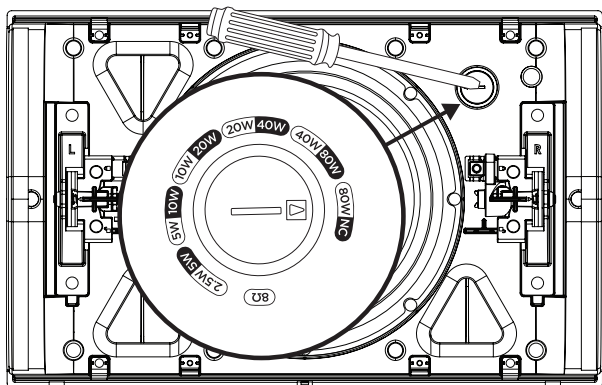


70 V/100 V



8 Ω

Réglages de l'enceinte



70 V						8 Ω
2,5 W	5 W	10 W	20 W	40 W	80 W*	
5 W	10 W	20 W	40 W	80 W	NC**	
100 V						

* Réglage d'usine par défaut

** NC : pas de connexion (ne pas utiliser)

Réglage de la puissance du transformateur

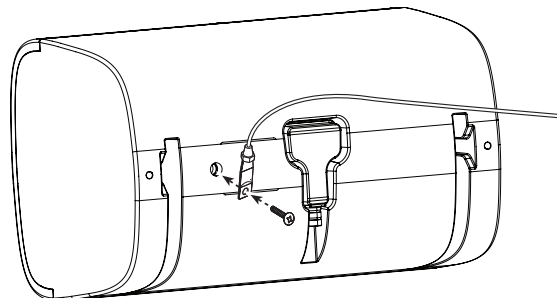
Sélectionnez la puissance en tournant le sélecteur. Utilisez un tournevis à tête plate.

Utilisation d'un câble de sécurité

Le code de l'urbanisme de certaines régions impose l'utilisation d'une méthode secondaire de fixation des enceintes aux structures porteuses afin d'assurer une sécurité supplémentaire. Pour le montage, choisissez une position, une méthode et des accessoires compatibles avec le code de l'urbanisme local.

Un câble de sécurité peut être fixé à l'insert fileté à l'arrière de l'enceinte.

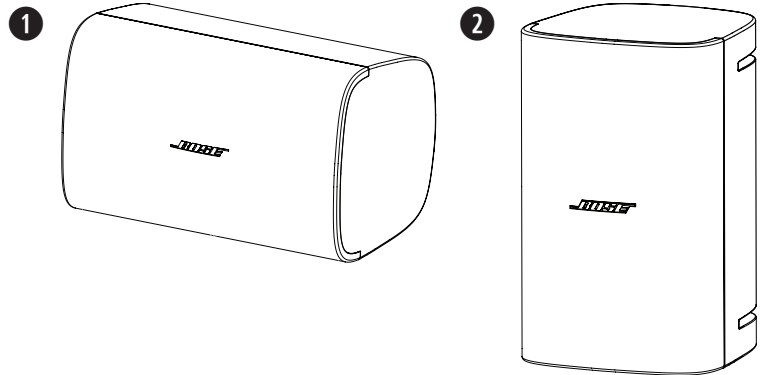
L'insert est dimensionné pour une vis M8 (non fournie), d'une de 20 millimètres (0,79 pouce).



Orientation de l'enceinte

Choisissez l'orientation de l'enceinte la mieux adaptée à votre installation.

- ① Horizontale
- ② Verticale



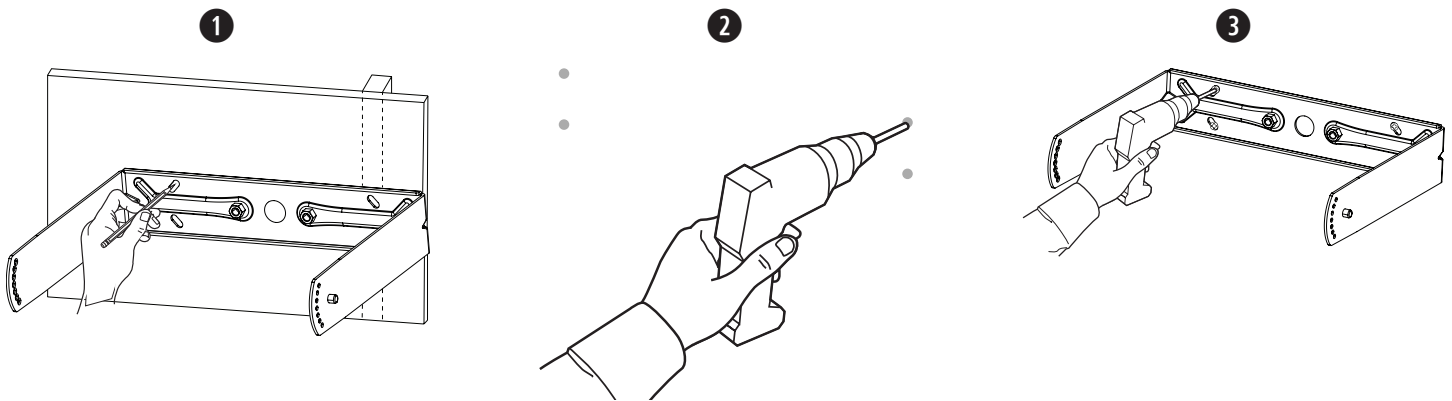
Remarque : Une installation à proximité immédiate de surfaces de cuisson, où l'enceinte peut être exposée directement à des huiles de cuisson, par exemple dans une cuisine en milieu professionnel, peut réduire les performances ou compromettre le fonctionnement de l'enceinte.

Installation du support

Remarque : Lors du choix de l'emplacement de montage, au moins deux des points de fixation du support de montage doivent être fixés à une structure porteuse. Les points de fixation non fixés à une structure porteuse doivent être fixés à l'aide du matériel approprié pour l'installation. Choisissez des fixations conformes à tous les codes applicables et toutes les exigences locales en matière de bâtiment.

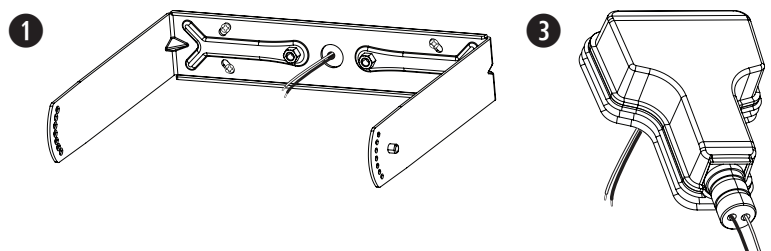
Remarque : Choisissez des fixations suffisamment solides pour supporter le poids de l'enceinte (11,1 kg [24,5 lb]).

1. Marquez les emplacements de perçage.
2. Percez quatre trous (de taille adaptée aux fixations appropriées) dans le mur.
3. Fixez le support au mur à l'aide de quatre vis (non fournies). **Remarque :** Utilisez des vis M6 ou de 1/4 po.



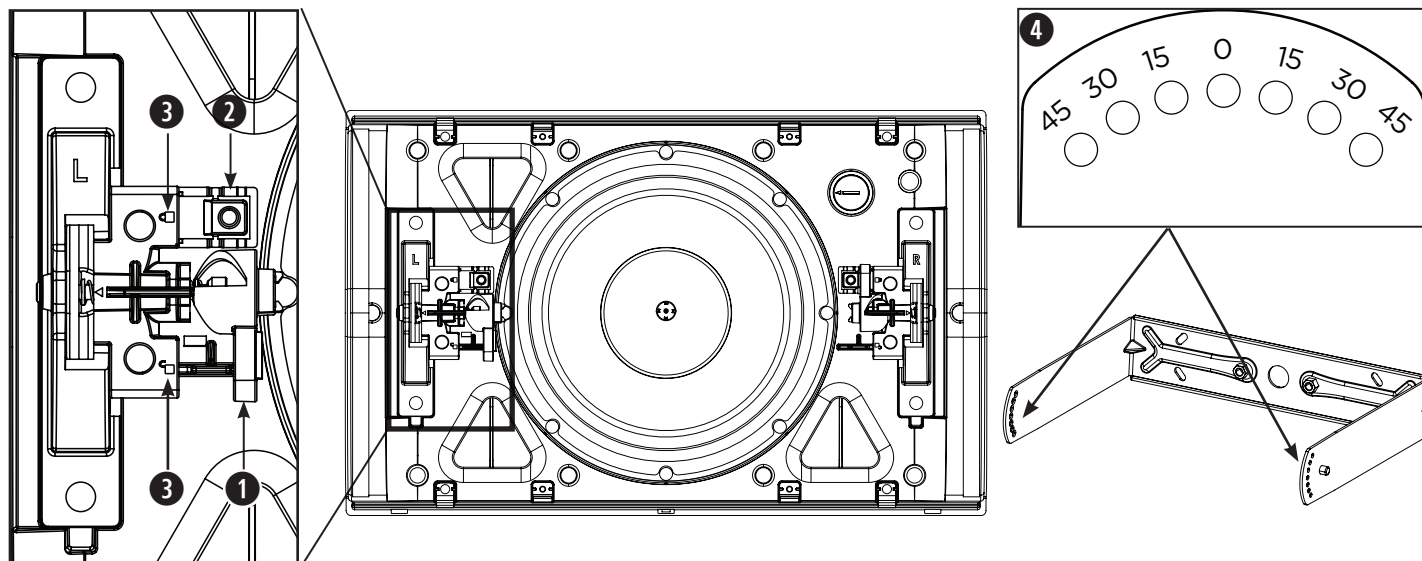
Câblage du connecteur

1. Faites passer les fils dans l'ouverture centrale du support.
2. Retirez le connecteur de l'enceinte.
3. En cas d'utilisation du capot de protection des entrées résistant aux intempéries, insérez les fils par le bas du capot de protection des entrées. Consultez la section **Préparation du capot de protection des entrées résistant aux intempéries** en page page 18.
4. Câblez le connecteur. Consultez la section **Câblage de l'enceinte** en page page 19 pour plus d'informations sur le câblage.



Informations importantes pour le montage

- 1 **Taquets de verrouillage** : Servent à fixer l'enceinte au support de montage. Poussez les taquets vers les axes de blocage pour les verrouiller ; retirez les taquets des axes de blocage pour les déverrouiller.
- 2 **Axes de blocage** : appuyez sur les axes pour déverrouiller les taquets.
- 3 **Indicateurs de blocage** : identifiez la direction de verrouillage souhaitée.
- 4 **Repères d'inclinaison (sur le support)** : identifiez l'inclinaison souhaitée.



Installation de l'enceinte

Remarque : L'enceinte est livrée avec les taquets de verrouillage attachés sur le dessous avec un ruban adhésif. Retirez l'adhésif avant l'installation.

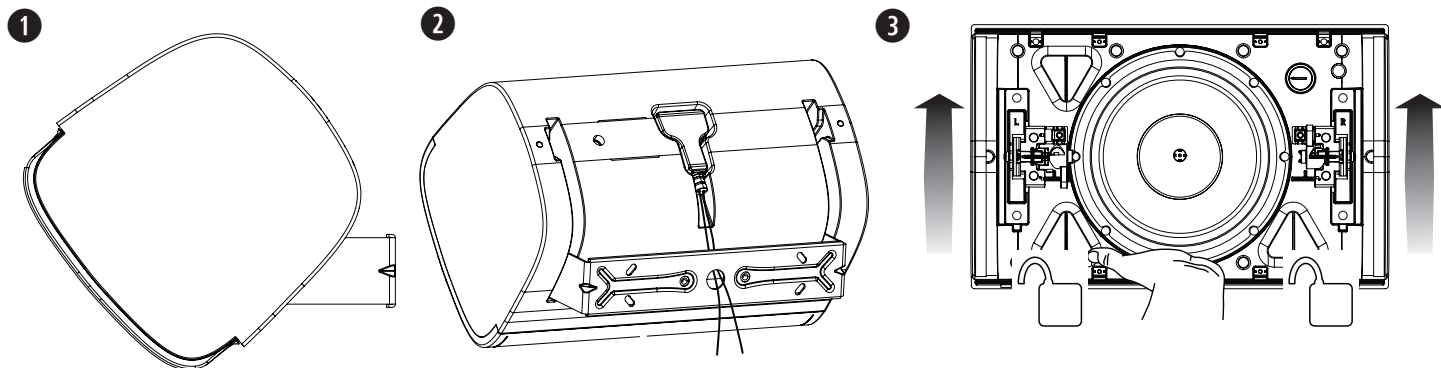
1. Fixez l'enceinte au support, inclinez l'enceinte à 45°, puis verrouillez les taquets.
2. Branchez le connecteur câblé à l'enceinte.
3. Déverrouillez les taquets puis réglez l'enceinte selon l'angle désiré. Veillez à supporter le poids de l'enceinte pendant que vous l'inclinez.

Remarque : L'inclinaison de l'enceinte peut être de 0°, 15°, 30°, ou 45°.

4. Verrouillez les taquets.



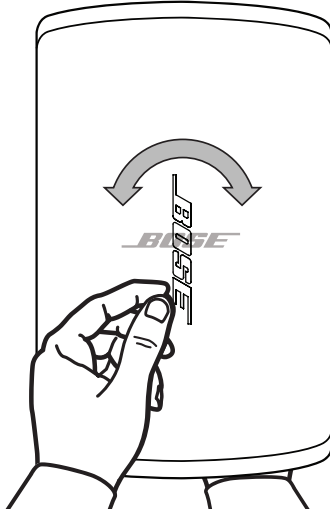
AVERTISSEMENT : Ne pas verrouiller les taquets comme indiqué peut aboutir à un risque de chute pouvant entraîner des dommages matériels, des blessures graves ou la mort. Il est de la responsabilité de l'installateur de s'assurer que le système de montage est installé conformément aux instructions.



Orientation du logo

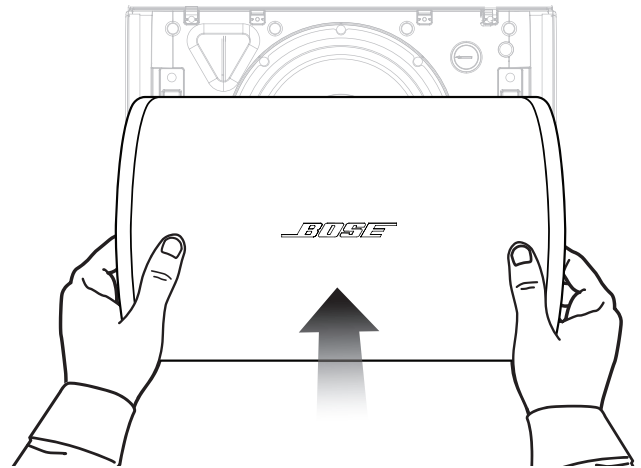
Vous pouvez faire pivoter le logo Bose pour l'aligner sur l'orientation de l'enceinte. D'une main, appuyez sur le bouton situé au dos de la grille. Faites pivoter le logo avec l'autre main. Il est possible de faire pivoter le logo dans le sens des aiguilles d'une montre ou dans le sens inverse.

Remarque : Ne pincez pas le bouton vers l'intérieur à moins que vous ne souhaitiez retirer le logo.



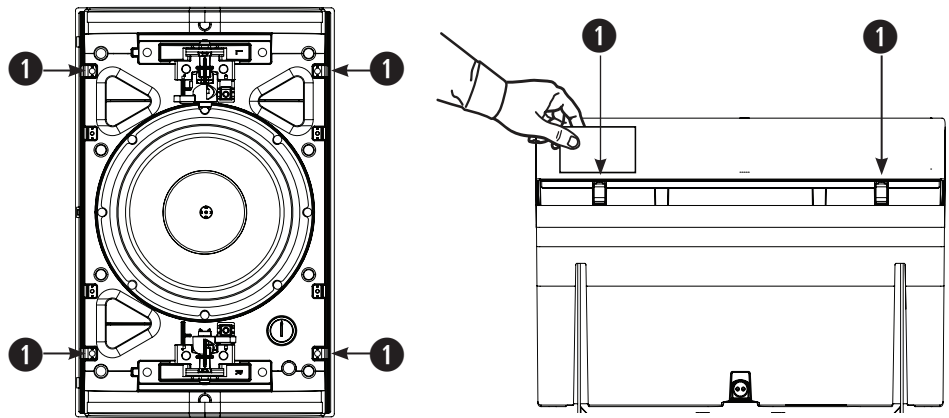
Fixation de la grille

Placez la grille sur l'avant de l'enceinte et appuyez fermement jusqu'à ce qu'elle se mette en place.



Démontage de la grille

Quatre petites ouvertures se trouvent à chaque coin de la grille (1). Sur le côté de l'enceinte, insérez un petit outil plat dans les ouvertures de la grille pour libérer les languettes de déblocage. Retirez la grille de l'enceinte.



Conformité aux réglementations et aux normes de sécurité en vigueur

L'enceinte DesignMax DM8SE a été soumise avec succès à une phase complète de tests et elle est conforme aux spécifications et utilisations suivantes :

Conformes à la norme ANSI/UL 1480A-2016, Enceintes destinées à un usage professionnel (sécurité) et commercial

Utilisation générale, catégorie UL UEAY/UEAY7, dossier S36835

Adaptée à un usage en environnement humide, certifiée IP55 selon la norme CEI 60529, 2019

L'enceinte DesignMax DM8SE convient à une utilisation en extérieur dans des environnements humides

Convient à une installation suivant les méthodes de câblage de classe 1, 2 ou 3 selon la norme NFPA 70, National Electrical Code, 2017, Article 640

L'enceinte DesignMax DM8SE a été conçue en conformité avec les exigences définies dans les spécifications réglementaires européennes suivantes relatives aux systèmes utilisés en combinaison :

Testée conforme à la norme CEI 60268-5, 2007


Bitte lesen Sie alle Sicherheitshinweise und Gebrauchsanleitungen durch und bewahren Sie sie auf.

Dieses Produkt darf nur von fachkundigen Monteuren installiert werden!


Dieses Dokument soll fachkundigen Monteuren grundlegende Installations- und Sicherheitsrichtlinien für dieses Produkt in typischen Festinstallationen bieten. Bitte lesen Sie dieses Dokument und alle Sicherheitshinweise vor der Installation durch.

Versuchen Sie nicht, dieses Produkt selbst zu warten. Lassen Sie jegliche Reparatur- und Wartungsarbeiten nur von autorisierten Servicepartnern, Monteuren, Technikern, Händlern oder Distributoren durchführen. Die Bose Professional Kontaktdaten für Ihr Land sowie Informationen zu Händlern und Distributoren in Ihrer Nähe finden Sie unter **BoseProfessional.com**.

1. Lesen Sie die folgenden Anweisungen.
2. Bewahren Sie die Anweisungen auf.
3. Beachten Sie alle Warn- und Sicherheitshinweise.
4. Befolgen Sie alle Anweisungen.
5. Achten Sie darauf, dass die Lüftungsöffnungen nicht blockiert sind. Stellen Sie das Gerät nur in Übereinstimmung mit den Herstelleranweisungen auf.
6. Stellen Sie das Gerät nicht in der Nähe von Wärmequellen auf, wie zum Beispiel Heizkörpern, Wärmespeichern, Öfen oder anderen Geräten (auch Verstärkern), die Wärme erzeugen.
7. Verwenden Sie nur Zubehör-/Anbauteile, die vom Hersteller zugelassen sind.



WARNHINWEISE




Dieses Produkt enthält magnetische Materialien. Wenden Sie sich an Ihren Arzt, wenn Sie wissen möchten, ob dies den Betrieb Ihres implantierten medizinischen Geräts beeinflussen kann.

- Der Monteur ist dafür verantwortlich, sicherzustellen, dass das verwendete Befestigungssystem über ausreichend Windlastwiderstand verfügt, um den geltenden Vorschriften und Standards zu entsprechen.
- Alle Bose Professional Produkte müssen gemäß den örtlichen und staatlichen Vorschriften sowie gemäß allen Branchenbestimmungen installiert werden. Der Monteur ist dafür verantwortlich, sicherzustellen, dass die Installation der Lautsprecher und der Halterung gemäß allen geltenden Vorschriften durchgeführt wird, einschließlich örtlicher Bauvorschriften und Bestimmungen. Wenden Sie sich vor der Installation dieses Produkts an die zuständige abnehmende Behörde.
- Dieses Produkt ist nicht für die Installation oder Verwendung in Feuchtbereichen (zum Beispiel Schwimmbädern, Wasserparks, Räumen mit Whirlpools, Saunas, Dampfbädern und Eislaufbahnen) gedacht.
- Eine nicht ausreichend sichere Montage schwerer Lasten oder deren Aufhängung über Kopf kann zu schweren oder tödlichen Verletzungen und Sachschäden führen. Der Monteur ist dafür verantwortlich, die Zuverlässigkeit der für die Anwendung verwendeten Befestigungstechniken zu prüfen. Nur fachkundige Monteure mit Kenntnissen über sachgemäße Befestigungselemente und sichere Befestigungstechniken sollten Lautsprecher über Kopf installieren.
- Bei der Montage ist auf eine tragfähige Oberfläche zu achten, hinter der sich keine strom- oder wasserführenden Leitungen befinden. Wenden Sie sich im Zweifelsfall bei der Montage der Halterung an einen fachkundigen Monteur. Bei der Montage der Halterung ist auf die Einhaltung der örtlichen Bauvorschriften zu achten.
- Verwenden Sie für die Montage ausschließlich die im Lieferumfang enthaltenen oder von Bose Professional für die Verwendung mit den DesignMax DM8SE Lautsprechern zugelassene Hardware und entsprechende Zubehörteile. Befestigungselemente für das Anbringen des Lautsprechers auf der Montagefläche sind nicht im Lieferumfang enthalten. Informationen zu kompatiblen Zubehörteilen finden Sie in den technischen Datenblättern unter **BoseProfessional.com**.
- Halten Sie das Produkt von Feuer und Wärmequellen fern. Stellen Sie keine brennenden Kerzen oder ähnliches auf das Gerät oder in die Nähe des Geräts.
- Nehmen Sie keine nicht genehmigten Änderungen an diesem Produkt vor.
- Die DesignMax DM8SE Wandhalterung ist ausschließlich für die Verwendung mit dem Lautsprechermodell DM8SE geeignet.
- Stellen Sie sicher, dass der Lautsprecher und die Montagekomponenten nicht mit chemischen Substanzen in Berührung kommen, die nicht von Bose Professional zugelassen sind. Dies umfasst unter anderem Schmiermittel, Reinigungsmittel, Kontaktspray oder andere Lösungsmittel auf Kohlenwasserstoffbasis. Der Kontakt mit solchen Mitteln kann zu Rissen im Kunststoffmaterial und infolgedessen zum Herunterfallen führen.
- Die Lautsprecher nur mit einem weichen, trockenen Tuch reinigen. Verwenden Sie zur Reinigung niemals Seife, Spülmittel, Mineralöl, Alkohol oder sonstige Reinigungsmittel oder Chemikalien.
- Berühren Sie keine nicht isolierten Kabel oder Kabelklemmen. Die Audiokabelanschlüsse dieses Produkts sind spannungsführend und können Verletzungen verursachen.

Leistungsdaten:

Eingangsspannung: 70 V/100 V
 Impedanz: 8 Ω, 125 W
 Nennleistung: (70 V): 2,5 W, 5 W, 10 W, 20 W, 40 W, 80 W;
 (100 V): 5 W, 10 W, 20 W, 40 W, 80 W

Gesetzliche Hinweise

 Dieses Produkt entspricht allen Anforderungen der geltenden EU-Richtlinien. Die vollständige Konformitätserklärung finden Sie auf der entsprechenden Produktseite unter: **BoseProfessional.com**


 Dieses Symbol bedeutet, dass das Produkt nicht mit dem Hausmüll entsorgt werden darf, sondern bei einer geeigneten Sammelstelle für das Recycling abgegeben werden muss. Die ordnungsgemäße Entsorgung und das Recycling tragen dazu bei, die natürlichen Ressourcen, die Gesundheit und die Umwelt zu schützen. Weitere Informationen zur Entsorgung und zum Recycling dieses Produkts erhalten Sie von Ihrer zuständigen Kommune, Ihrem Entsorgungsdienst oder dem Geschäft, in dem Sie dieses Produkt gekauft haben.

Tabelle zur Einschränkung gefährlicher Stoffe für China

Namen und Inhalt der giftigen oder gefährlichen Stoffe oder Elemente						
Name des Teils	Gefährliche Stoffe oder Elemente					
	Blei (Pb)	Quecksilber (Hg)	Kadmium (Cd)	Sechswertiges Chrom (Cr(VI))	Polybromiertes Biphenyl (PBB)	Polybromiertes Diphenylether (PBDE)
PCBs	X	O	O	O	O	O
Metalteile	X	O	O	O	O	O
Kunststoffteile	O	O	O	O	O	O
Lautsprecher	X	O	O	O	O	O
Kabel	X	O	O	O	O	O

Diese Tabelle wurde in Übereinstimmung mit den Bestimmungen von SJ/T 11364 erstellt.
 O: Gibt an, dass dieser giftige oder gefährliche Stoff, der in allen homogenen Materialien für dieses Teil enthalten ist, unter den Grenzwerten gemäß GB/T 26572 liegt.
 X: Gibt an, dass dieser giftige oder gefährliche Stoff, der in mindestens einem der homogenen Materialien enthalten ist, die für dieses Teil verwendet wurden, über den Grenzwerten gemäß GB/T 26572 liegt.



Tabelle mit Vorgaben zur Einschränkung der Verwendung bestimmter gefährlicher Stoffe in Taiwan

Gerätebezeichnung: DesignMax DM8SE, Typenbezeichnung: 892116						
Stoffe mit eingeschränkter Verwendung und ihre chemischen Symbole						
Einheit	Blei (Pb)	Quecksilber (Hg)	Kadmium (Cd)	Sechswertiges Chrom (Cr+6)	Polybromierte Biphenyle (PBB)	Polybromierte Diphenylether (PBDE)
PCBs	-	O	O	O	O	O
Metalteile	-	O	O	O	O	O
Kunststoffteile	O	O	O	O	O	O
Lautsprecher	-	O	O	O	O	O
Kabel	-	O	O	O	O	O

Hinweis 1: „O“ zeigt an, dass der prozentuale Gehalt des Stoffes mit eingeschränkter Verwendung den Prozentsatz des Referenzwertes des Vorhandenseins nicht überschreitet.
 Hinweis 2: „-“ gibt an, dass der Stoff mit eingeschränkter Verwendung der Ausnahme entspricht.

Herstellungsdatum: Die achte Ziffer in der Seriennummer gibt das Herstellungsjahr an: „7“ ist 2007 oder 2017.

Importeur aus der EU: Transom Post Netherlands B.V., Keizersgracht 391A, 1016 EJ, Amsterdam
Importeur aus Großbritannien: Transom Post Netherlands UK, Squires House 205a High Street, West Wickham, BR4 0PH | **Importeur aus Japan:** Transom Post International Japan KK Co., Ltd. PMO Tamachi IV Shiba5-29-19, Minato-ku, Tokio | **Importeur aus Australien:** Transom Post Australia Pty. Ltd., Level 14, 60 Margaret Street, Sydney, NSW 2000 | **Importeur aus China:** Transom Post (Shanghai) Audio Co. Ltd Room 2209, Building 1, 175 Longyao Road, Xuhui District, Shanghai | **Importeur aus Mexiko:** POST INTL MEXICO, S. DE R.L. DE C.V. Insurgentes Sur No. 1079, 1st Floor, Colonia Noche Buena, Benito Juárez, C.P. 03270, Mexiko-Stadt | **Importeur aus den VAE:** 102 A, Sama Tower Sheikh Zayed Road, Dubai, VAE

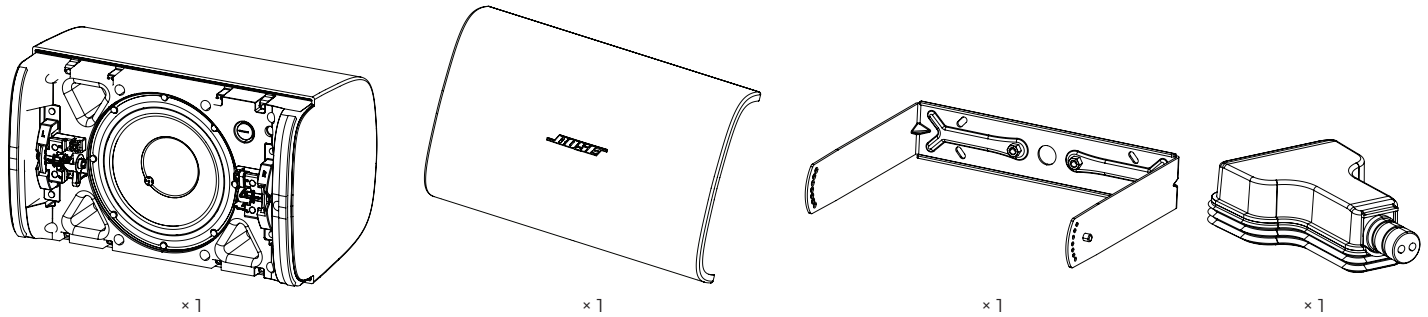
Bose ist eine Marke der Bose Corporation.
 DesignMax ist eine Marke der Transom Post OpCo LLC.
 Bose Professional, 117 South St, Hopkinton, MA 01748, USA

©2024 Transom Post OpCo LLC. Dieses Dokument darf ohne vorherige schriftliche Genehmigung weder ganz noch teilweise reproduziert, verändert, vertrieben oder in anderer Weise verwendet werden.

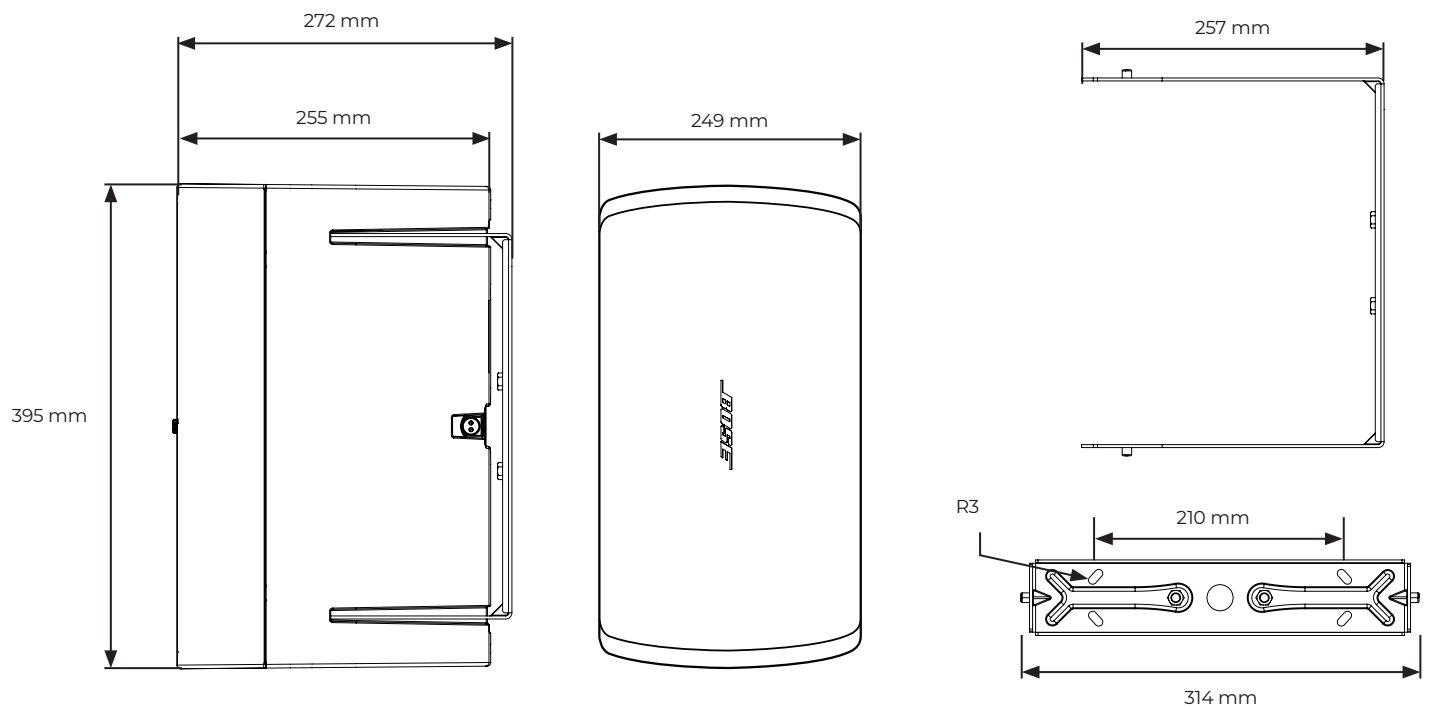
Garantiehinweise

Für dieses Produkt gilt eine eingeschränkte Garantie.
 Einzelheiten zur Garantie finden Sie unter **BoseProfessional.com/Warranty**.

Lieferumfang



Produktabmessungen



Technische Spezifikationen

Weitere technische Spezifikationen können Sie den technischen Datenblättern für den DesignMax DM8SE auf BoseProfessional.com entnehmen.

Abmessungen, Gewicht	
Nettogewicht, Lautsprecher mit Abdeckgitter und Halterung	11,1 kg
Versandgewicht	13 kg
Einsatzbereich	Für die Verwendung unter feuchten Bedingungen geeignet IP55 gemäß IEC 60529, 2019

Wichtige Installationshinweise

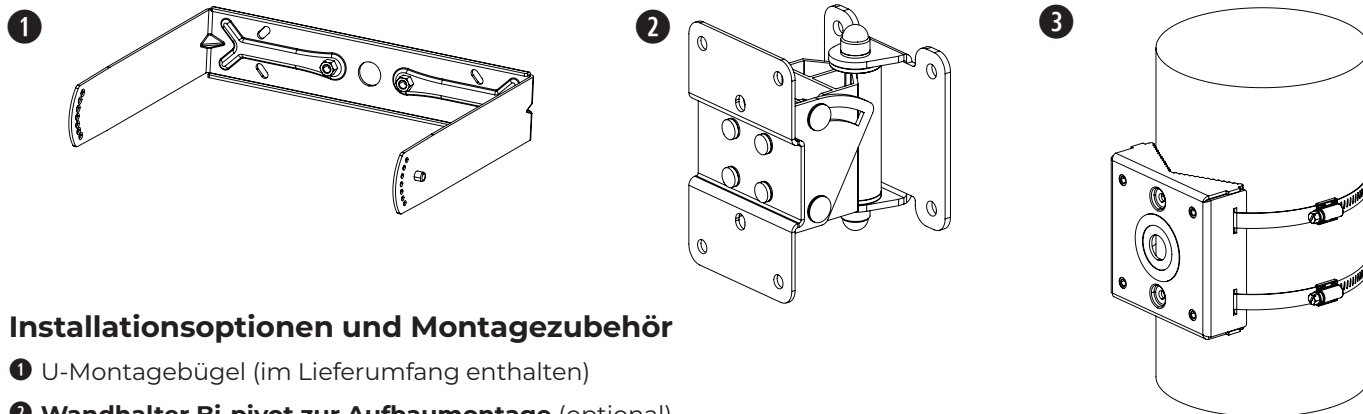


Bitte lesen Sie vor der Installation des Lautsprechers den Abschnitt **Wichtige Sicherheitshinweise** auf Seite 2.



Geeignet für **allgemeine Audioinstallationen** sowie für den Einsatz im Außenbereich (Schutzart IP55) gemäß EN60529.

Installationsoptionen



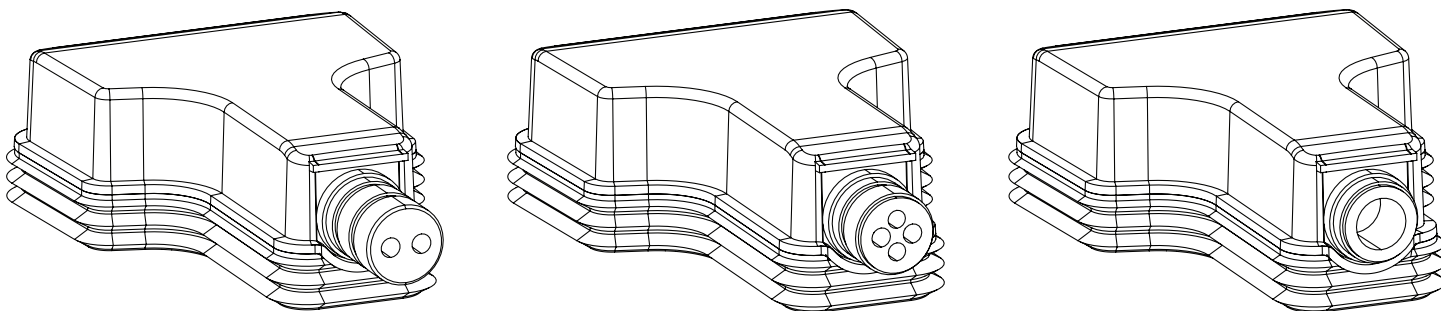
Installationsoptionen und Montagezubehör

- ❶ U-Montagebügel (im Lieferumfang enthalten)
- ❷ Wandhalter Bi-pivot zur Aufbaumontage (optional)
- ❸ Masthalterung (optional)

Einzelanschluss

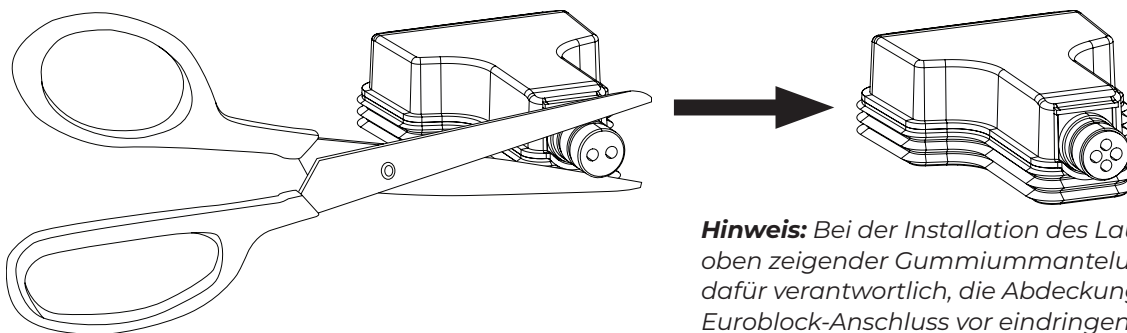
Ein- und Ausgang

Große Öffnung

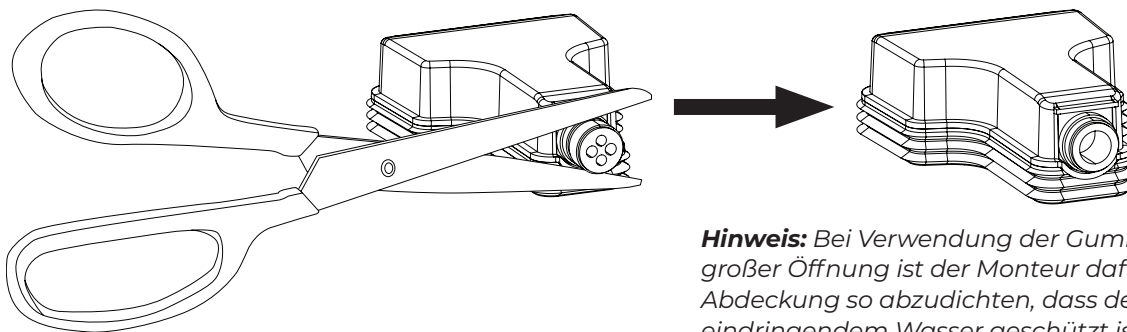


Vorbereitung der wetterbeständigen Abdeckung der Anschlüsse

Die wetterbeständige Abdeckung der Anschlüsse ist für drei verschiedene Anschlussarten geeignet (siehe oben). Um die Abdeckung an die gewünschte Anschlussart anzupassen, schneiden Sie die Gummiummantelung entlang der entsprechenden Perforation ab.



Hinweis: Bei der Installation des Lautsprechers mit nach oben zeigender Gummiummantelung ist der Monteur dafür verantwortlich, die Abdeckung so abzudichten, dass der Euroblock-Anschluss vor eindringendem Wasser geschützt ist.



Hinweis: Bei Verwendung der Gummiummantelung mit großer Öffnung ist der Monteur dafür verantwortlich, die Abdeckung so abzudichten, dass der Euroblock-Anschluss vor eindringendem Wasser geschützt ist.

Verkabeln des Lautsprechers

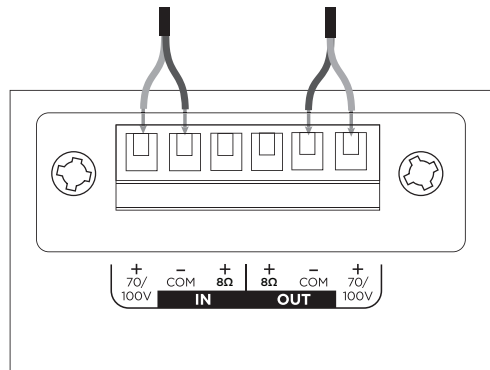
Kabeldurchmesser

Der DesignMax DM8SE Lautsprecher wurde für den ausschließlichen Gebrauch mit Kabeln der Größen 18 AWG (0,8 mm²) bis 14 AWG (2,1 mm²) entwickelt.

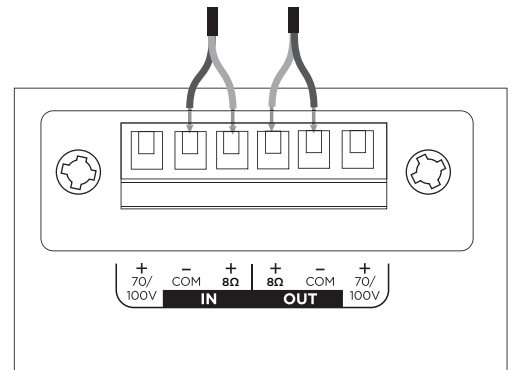
Anschlussdiagramme

Isolieren Sie 6 mm des Drahtes für den Anschluss an die Anschlüsse ab.

Hinweis: Der Lautsprecher ist nicht für die Verwendung mit einem starren Kabelschutzrohr geeignet. Der Lautsprecher ist für Kabel oder flexible Kabelschutzrohre vorgesehen.

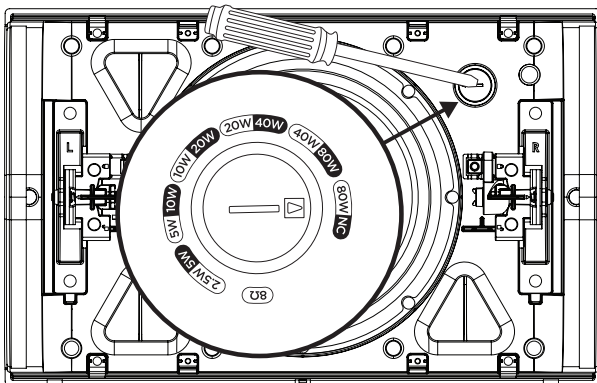


70 V/100 V



8 Ω

Lautsprechereinstellungen



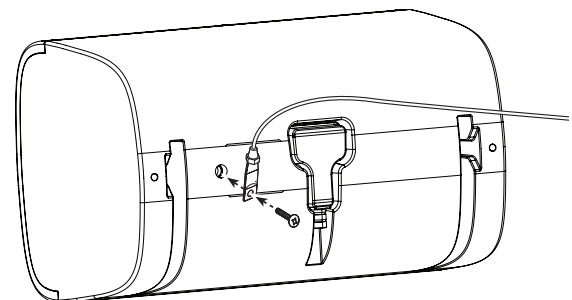
70 V						8 Ω
2,5 W	5 W	10 W	20 W	40 W	80 W*	
5 W	10 W	20 W	40 W	80 W	KA**	
100 V						

* Werkseinstellung

** KA: Kein Anschluss (nicht verwenden)

Einstellen des Leistungsabgriffes am Übertrager

Stellen Sie den Leistungsabgriff durch Drehen ein. Verwenden Sie dafür einen Schlitzschraubendreher.



Verwendung eines Sicherungsseils

Einige Bauvorschriften schreiben als Sicherheitsvorkehrung vor, den Lautsprecher an einer tragenden Konstruktion zusätzlich abzusichern. Wählen Sie eine Montageposition und -methode sowie Werkzeuge, die den örtlichen Bauvorschriften entsprechen.

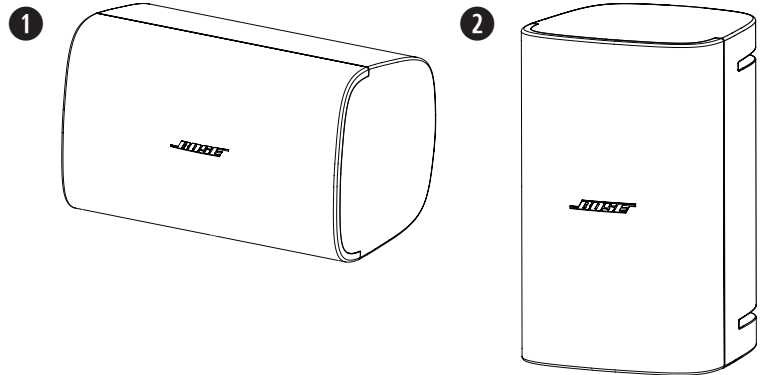
Ein Sicherungsseil kann mithilfe des Gewindeeinsatzes auf der Gehäuserückseite am Lautsprecher angebracht werden.

Der Gewindeeinsatz ist für M8-Schrauben mit einer Länge von 20 mm geeignet (nicht im Lieferumfang enthalten).

Ausrichtung des Lautsprechers

Wählen Sie die Ausrichtung des Lautsprechers, die für Ihre Installation am besten geeignet ist.

- ① Horizontal
- ② Vertikal



Hinweis: Eine Installation in unmittelbarer Nähe einer Kochstelle, wo der Lautsprecher Speiseöl ausgesetzt ist (wie z. B. in gewerblichen Räumlichkeiten mit Kochstellen), kann die Leistung oder Funktionen des Lautsprechers beeinträchtigen.

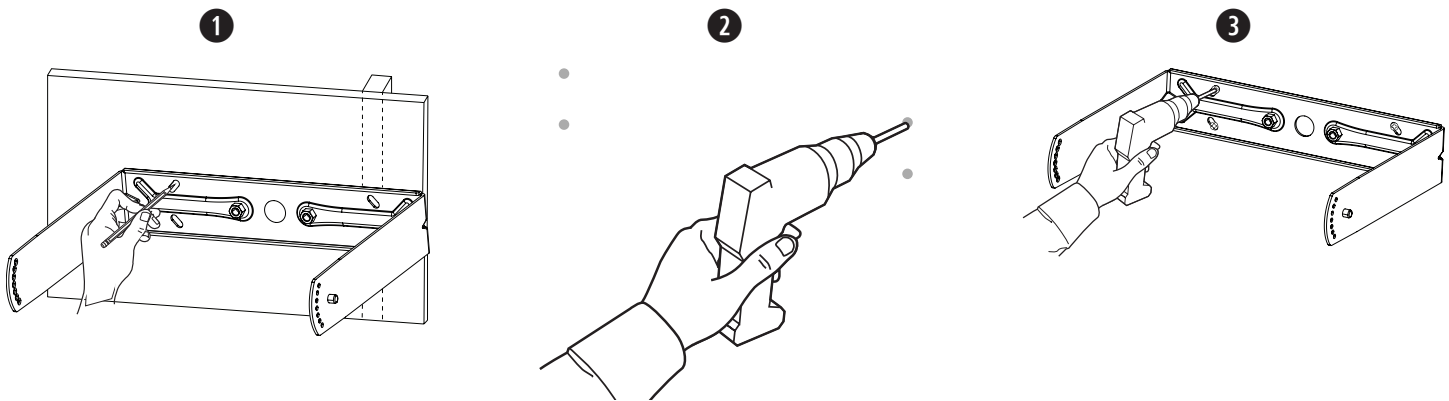
Montage der Halterung

Hinweis: Beachten Sie bei der Auswahl eines Montageorts, dass mindestens zwei der Befestigungspunkte der Montagehalterungen an einer tragenden Konstruktion angebracht sein müssen. Befestigungspunkte, die nicht an einer tragenden Konstruktion angebracht sind, müssen mit für die Montage geeigneten Befestigungselementen angebracht werden. Verwenden Sie Befestigungselemente, die den örtlichen Bauvorschriften und Anforderungen entsprechen.

Hinweis: Achten Sie darauf, dass die Sicherungselemente für das Gewicht des Lautsprechers (11,1 kg) geeignet sind.

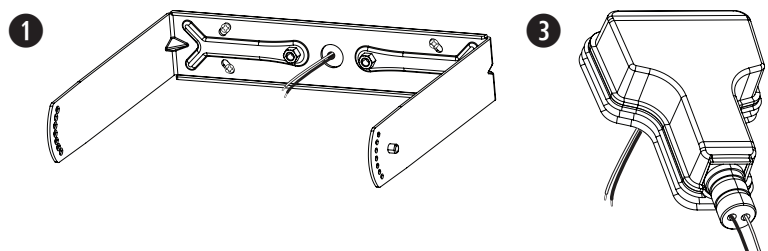
1. Markieren Sie die Position der Bohrlöcher.
2. Bohren Sie vier Löcher (in der Größe passender Sicherungselemente) in die Wand.
3. Befestigen Sie die Halterung mit vier Schrauben (nicht im Lieferumfang enthalten) an der Wand.

Hinweis: Verwenden Sie 6 mm-Schrauben.



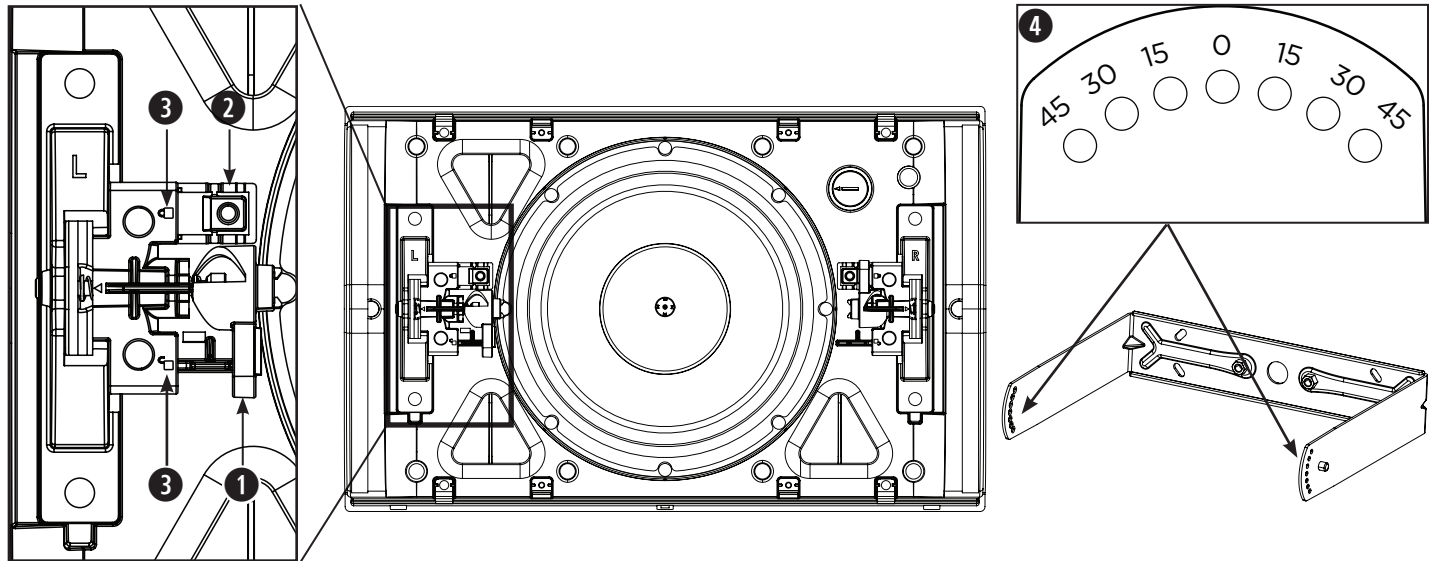
Verkabeln des Anschlusses

1. Führen Sie die Kabel durch das mittige Loch in der Halterung.
2. Entfernen Sie den Anschluss vom Lautsprecher.
3. Bei Verwendung der wetterbeständigen Abdeckung der Anschlüsse führen Sie die Kabel durch die Unterseite der Abdeckung der Anschlüsse. Siehe **Vorbereitung der wetterbeständigen Abdeckung der Anschlüsse** auf Seite page 25.
4. Verkabeln Sie den Anschluss. Weitere Informationen zur Verkabelung finden Sie unter **Verkabeln des Lautsprechers** auf Seite page 26.



Wichtige Montagehinweise

- 1 **Feststellhebel:** Für eine sichere Befestigung des Lautsprechers an der Halterung. Drücken Sie zum Arretieren die Hebel in Richtung der Feststellstifte. Zum Lösen drücken Sie die Hebel von den Feststellstiften weg.
- 2 **Feststellstifte:** Zum Entsperren des Hebels die Stifte nach unten drücken.
- 3 **Feststellanzeigen:** Bestimmen Sie die Feststellrichtung.
- 4 **Neigungswinkel-Markierungen (an Halterung):** Bestimmen Sie den gewünschten Neigungswinkel.



Installieren des Lautsprechers

Hinweis: Die Feststellhebel des Lautsprechers sind zum Transport durch Klebeband gesichert. Entfernen Sie das Klebeband vor der Installation.

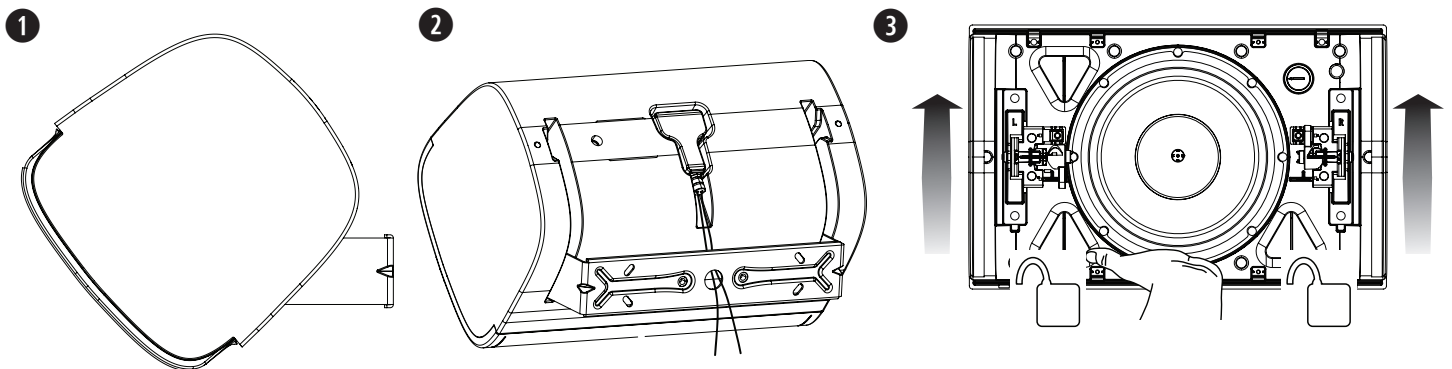
1. Setzen Sie den Lautsprecher in die Halterung ein, neigen Sie ihn in einem Winkel von 45° und stellen Sie die Hebel fest.
2. Befestigen Sie den verkabelten Anschlussstecker am Lautsprecher.
3. Entsperren Sie die Hebel und passen Sie den Neigungswinkel des Lautsprechers wie gewünscht an. Sichern Sie das Gewicht des Lautsprechers, während Sie den Winkel des Lautsprechers anpassen.

Hinweis: Der Neigungswinkel des Lautsprechers kann auf 0°, 15°, 30° oder 45° eingestellt werden.

4. Arretieren Sie die Hebel.



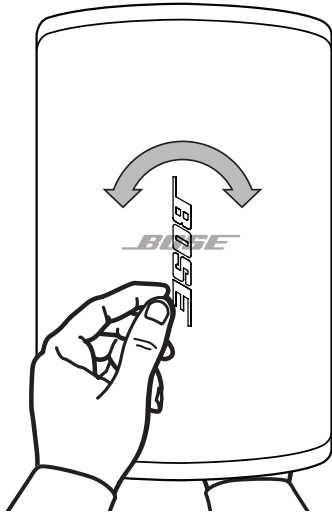
WICHTIGER HINWEIS: Wenn die Hebel nicht ordnungsgemäß arretiert werden, kann dies ein Herunterfallen zur Folge haben. Das Herunterfallen kann zu schweren oder tödlichen Verletzungen und Sachschäden führen. Der Monteur ist dafür verantwortlich, sicherzustellen, dass die Installation der Anleitung entsprechend durchgeführt wird.



Anpassen des Logos

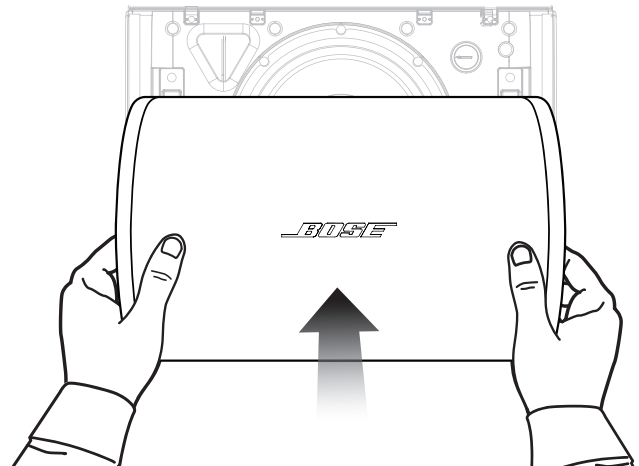
Sie können das Bose Logo an die Ausrichtung des Lautsprechers anpassen. Drücken Sie mit einer Hand den Knopf an der Rückseite der Frontabdeckung. Drehen Sie mit der anderen Hand das Logo. Das Logo kann im und gegen den Uhrzeigersinn gedreht werden.

Hinweis: Drücken Sie den Knopf nur nach innen, wenn Sie das Logo entfernen wollen.



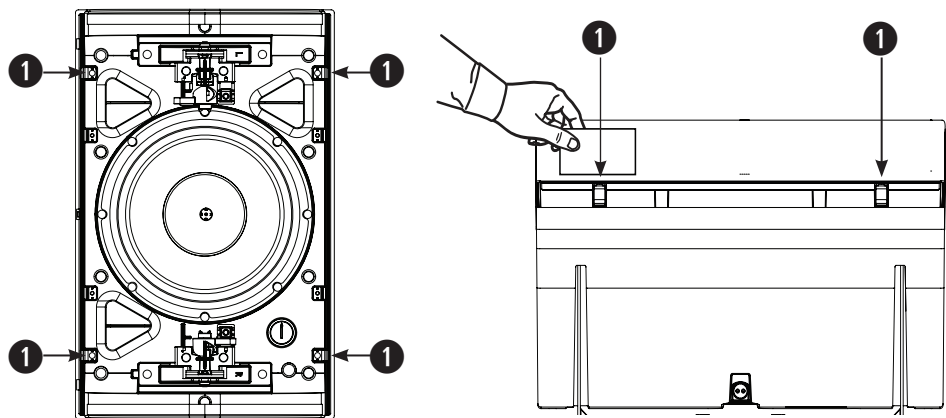
Anbringen der Frontabdeckung

Drücken Sie die Frontabdeckung kräftig genug auf die Vorderseite des Lautsprechers, bis sie fest einrastet.



Entfernen der Frontabdeckung

An den Ecken der Frontabdeckung befinden sich vier kleine Öffnungen (1). Führen Sie an der Seite des Lautsprechers ein kleines, flaches Werkzeug in diese Öffnungen ein, um die Befestigungslaschen ausrasten zu lassen. Entfernen Sie anschließend die Frontabdeckung vom Lautsprecher.



Sicherheitshinweise und gesetzliche Bestimmungen

Der DesignMax DM8SE Lautsprecher hat umfassende Testreihen bestanden und entspricht den folgenden Normen und Einsatzanforderungen:

Zertifiziert gemäß ANSI/UL 1480A-2016, Speakers for Commercial & Professional Use

Allgemeine Gebrauchsfähigkeit – UL-Kategorie UEAY/UEAY7, Aktenzeichen S36835

Für die Verwendung unter feuchten Bedingungen geeignet – IP55 gemäß IEC 60529, 2019

Der DesignMax DM8SE ist für die Verwendung in Außenbereichen unter feuchten Bedingungen geeignet.

Geeignet für die Installation mit Verkabelungsverfahren der Klasse 1, Klasse 2 oder Klasse 3
Verkabelungsverfahren gemäß NFPA 70, National Electrical Code, 2017, Artikel 640

Der DesignMax DM8SE Lautsprecher wurde gemäß den Anforderungen der folgenden EU-Norm für kombinierte Systeme entwickelt:


Getestet gemäß IEC60268-5, 2007

Leggere e conservare tutte le istruzioni per la sicurezza e per l'uso.

Questo prodotto deve essere installato esclusivamente da installatori professionisti. Il presente documento ha lo scopo di fornire agli installatori professionisti le istruzioni di base per l'installazione di questo prodotto in sistemi tipici di installazione fissa. Prima dell'installazione, leggere questo documento e le avvertenze sulla sicurezza.

Non tentare di riparare il prodotto autonomamente. Per tutti gli interventi di assistenza, rivolgersi ai centri assistenza, agli installatori, ai tecnici, ai rivenditori o ai distributori autorizzati. Per contattare Bose Professional o per trovare il rivenditore o distributore più vicino, visita il sito **BoseProfessional.com**.

1. Leggere queste istruzioni.
2. Conservare queste istruzioni.
3. Prestare attenzione a tutte le avvertenze.
4. Seguire tutte le istruzioni.
5. Non ostruire le aperture di aerazione. Installare il prodotto in conformità con le istruzioni fornite dal produttore.
6. Non installare in prossimità di fonti di calore, quali termosifoni, radiatori, stufe o altri apparecchi (compresi gli amplificatori) che generino calore.
7. Utilizzare solo optional/accessori specificati dal produttore.



AVVISI/AVVERTENZE

Questo prodotto contiene materiale magnetico. Rivolgersi al proprio medico per eventuali domande sui possibili effetti del prodotto sui dispositivi medici impiantati nel corpo umano.

- È responsabilità dell'installatore utilizzare un sistema di supporto con sufficiente resistenza al vento per ottemperare alle norme e agli standard vigenti.
- Tutti i prodotti Bose Professional devono essere installati in conformità agli standard locali, statali, federali e di settore. È responsabilità dell'installatore assicurarsi che l'installazione dei diffusori e del sistema di montaggio sia eseguita in conformità con le normative vigenti, compresi i regolamenti edilizi locali. Prima di installare il prodotto chiedere informazioni all'autorità locale preposta.
- Il prodotto non deve essere installato né utilizzato in strutture acquatiche al coperto (ad es. piscine coperte, parchi acquatici al chiuso, sale con vasche riscaldate, saune, bagni turchi e piste di pattinaggio al chiuso).
- L'installazione o la sospensione non sicura di carichi pesanti può causare gravi lesioni alle persone e danni materiali. È responsabilità dell'installatore valutare l'affidabilità del metodo di installazione utilizzato per l'applicazione specifica. Solo installatori professionisti esperti di hardware e installazione possono installare un diffusore in posizione sospesa.
- Non eseguire l'installazione su superfici non sufficientemente robuste o dietro le quali si nascondano elementi potenzialmente pericolosi, quali cavi elettrici o tubature idrauliche. In caso di dubbi durante l'installazione della staffa, contattare un installatore professionista. Assicurarsi che la staffa sia installata in conformità ai parametri costruttivi locali.
- Utilizzare solo componenti e accessori forniti o specificati da Bose Professional per l'uso con i diffusori DesignMax DM8SE. I componenti per il fissaggio del diffusore alla superficie di montaggio non sono in dotazione. Per informazioni sugli accessori compatibili, consultare la scheda tecnica del prodotto all'indirizzo **BoseProfessional.com**.
- Collocare il prodotto lontano dal fuoco e da fonti di calore. Non posizionare sorgenti di fiamme libere (ad esempio, candele accese) sul prodotto o in prossimità di esso.
- Non apportare a questo prodotto modifiche non autorizzate.
- La staffa per l'installazione a parete del DesignMax DM8SE può essere utilizzata solo con questo modello.
- Evitare di esporre il diffusore o i suoi componenti di montaggio a sostanze chimiche non specificate da Bose Professional, inclusi per esempio lubrificanti e detergenti, spray per contatti e altri solventi a base di idrocarburi. L'esposizione a tali sostanze può danneggiare i materiali plastici e causare spaccature, con conseguenti rischi di caduta.
- Utilizzare esclusivamente un panno asciutto per pulire i diffusori. Non esporre il diffusore a saponi, detergenti, oli minerali o alcol, né ad altri detergenti o prodotti chimici.
- Evitare di toccare fili o terminali non isolati. La tensione applicata ai terminali audio di questo prodotto potrebbe causare dolore al contatto.

Specifiche del prodotto

Tensione d'ingresso: 70 V/100 V
 Impedenza: 8Ω, 125W
 Potenza: (70 V): 2,5W, 5W, 10W, 20W, 40W, 80W; (100V): 5W, 10W, 20W, 40W, 80W

Informazioni sulle normative

 Questo prodotto è conforme a tutti i requisiti pertinenti delle direttive UE. La dichiarazione di conformità completa è disponibile nella pagina specifica dei prodotti: **BoseProfessional.com**


 Questo simbolo indica che il prodotto non deve essere smaltito con i rifiuti domestici, ma deve essere consegnato a una struttura di raccolta appropriata per il riciclo. Uno smaltimento e un riciclo corretti aiutano a preservare le risorse naturali, la salute umana e l'ambiente. Per ulteriori informazioni sullo smaltimento e sul riciclo di questo prodotto, rivolgersi alle autorità locali, al servizio di smaltimento dei rifiuti o al negozio presso il quale è stato acquistato.

Tabella delle limitazioni delle sostanze pericolose (Cina)

Nome e contenuto delle sostanze o degli elementi tossici o pericolosi						
Sostanze ed elementi tossici o pericolosi						
Nome del componente	Piombo (Pb)	Mercurio (Hg)	Cadmio (Cd)	Cromo esavalente (CR(VI))	Bifenile polibromurato (PBB)	Difeniletero polibromurato (PBDE)
Circuiti stampati	X	O	O	O	O	O
Componenti metalliche	X	O	O	O	O	O
Componenti plastiche	O	O	O	O	O	O
Diffusori	X	O	O	O	O	O
Cavi	X	O	O	O	O	O

Questa tabella è stata messa a punto in conformità con quanto previsto dallo standard SJ/T 11364.
 O: indica che questa sostanza tossica o pericolosa contenuta in tutti i materiali omogenei della parte è inferiore al limite previsto dallo standard GB/T 26572.
 X: indica che questa sostanza tossica o pericolosa contenuta in almeno uno dei materiali omogenei della parte è superiore al limite previsto dallo standard GB/T 26572.




Tabella delle limitazioni delle sostanze pericolose (Taiwan)

Nome dispositivi: DesignMax DM8SE, designazione del tipo: 892116						
Sostanze soggette a restrizioni e relativi simboli chimici						
Unità	Piombo (Pb)	Mercurio (Hg)	Cadmio (Cd)	Cromo esavalente (Cr+6)	Bifenili polibromurati (PBB)	Difenileteri polibromurati (PBDE)
Circuiti stampati	-	o	o	o	o	o
Componenti metalliche	-	o	o	o	o	o
Componenti plastiche	o	o	o	o	o	o
Diffusori	-	o	o	o	o	o
Cavi	-	o	o	o	o	o

Nota 1: "o" indica che il contenuto percentuale della sostanza soggetta a limitazioni non supera il valore di presenza della percentuale di riferimento.
 Nota 2: il trattino "-" indica che la sostanza soggetta a limitazioni corrisponde all'esenzione.

Data di produzione: l'ottava cifra del numero di serie corrisponde all'anno di produzione; ad esempio "7" indica 2007 o 2017.

Importatore per l'UE: Transom Post Netherlands B.V., Keizersgracht 391A, 1016 EJ, Amsterdam
Importatore per il Regno Unito: Transom Post Netherlands UK, Squires House 205a High Street, West Wickham, BR4 0PH | **Importatore per il Giappone:** Transom Post International Japan KK Co., Ltd. PMO Tamachi IV Shiba5-29-19, Minato-ku, Tokyo | **Importatore per l'Australia:** Transom Post Australia Pty. Ltd., Level 14, 60 Margaret Street, Sydney, NSW 2000
Importatore per la Cina: Transom Post (Shanghai) Audio Co. Ltd Room 2209, Building 1, 175 Longyao Road, Xuhui District, Shanghai | **Importatore per il Messico:** POST INTL MEXICO, S. DE R.L. DE C.V. Insurgentes Sur No. 1079, 1st floor, Colonia Noche Buena, Benito Juárez, C.P. 03270, Città del Messico | **Importatore per gli Emirati Arabi Uniti:** 102 A, Sama Tower Sheikh Zayed Road, Dubai, Emirati Arabi Uniti

Bose è un marchio commerciale di Bose Corporation.

DesignMax è un marchio di fabbrica di Transom Post OpCo LLC.

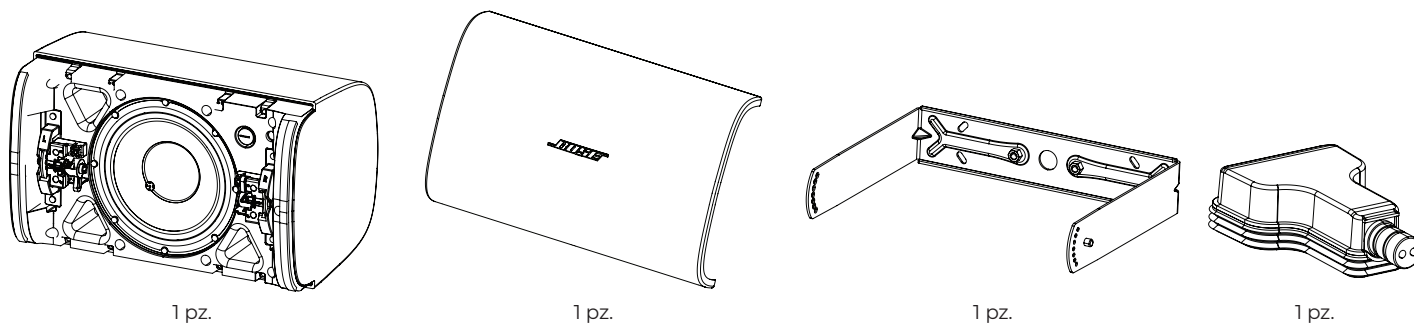
Bose Professional, 117 South St, Hopkinton, MA 01748 USA

©2024 Transom Post OpCo LLC. Nessuna parte di questo documento può essere riprodotta, modificata, distribuita o usata in altro modo senza previa autorizzazione scritta.

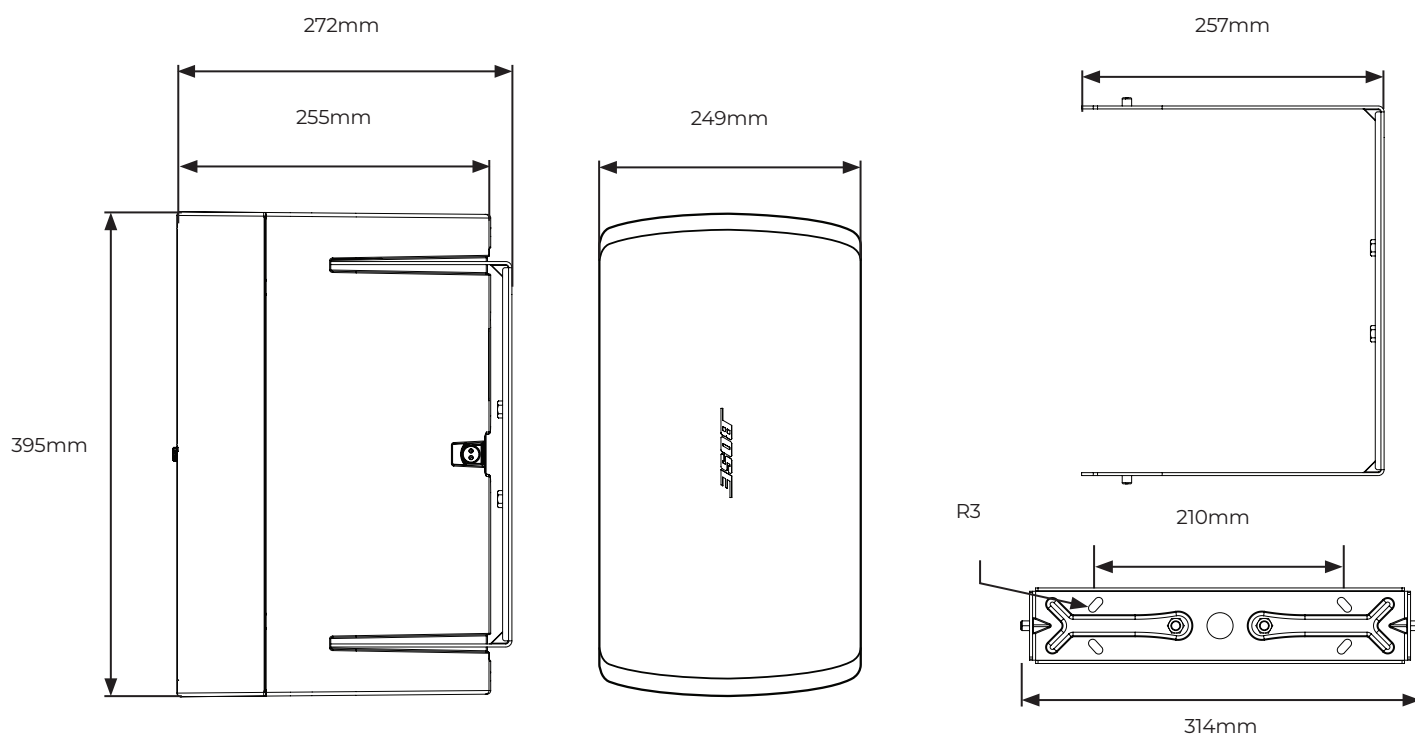
Informazioni sulla garanzia

Questo prodotto è coperto da una garanzia limitata.
 Per i dettagli sulla garanzia, visitare il sito **BoseProfessional.com/Warranty**.

Contenuto della confezione



Dimensioni del prodotto



Specifiche tecniche

Per ulteriori specifiche, consultare la scheda tecnica del diffusore DesignMax DM8SE @ BoseProfessional.com.

Caratteristiche fisiche	
Peso netto del diffusore con griglia e staffa	11,1kg
Peso di spedizione	13kg
Specifiche per esterni	Adatto per l'uso in presenza di umidità IP55 secondo IEC 60529, 2019

Informazioni importanti sull'installazione

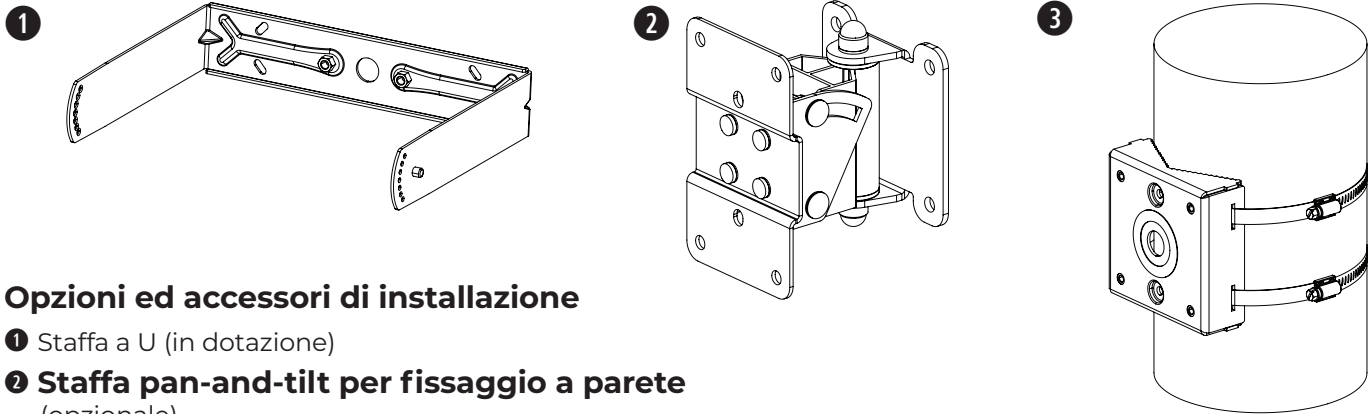


Prima di installare il diffusore, consultare la sezione **Informazioni importanti sulla sicurezza** a pagina 2.



Per l'**installazione in applicazioni audio generiche**, certificazione ambientale IP55 secondo EN60529.

Opzioni di installazione



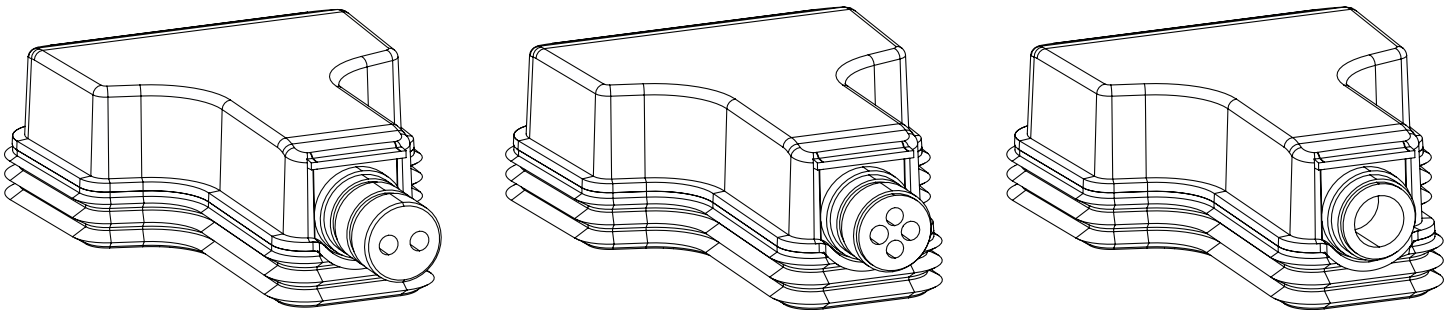
Opzioni ed accessori di installazione

- ❶ Staffa a U (in dotazione)
- ❷ Staffa pan-and-tilt per fissaggio a parete (opzionale)
- ❸ Staffa di fissaggio all'asta (opzionale)

Ingresso singolo

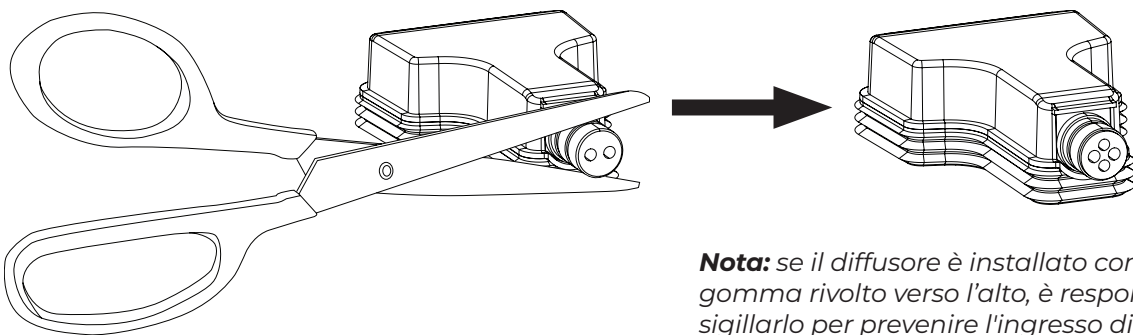
Ingresso e uscita

Apertura ampia

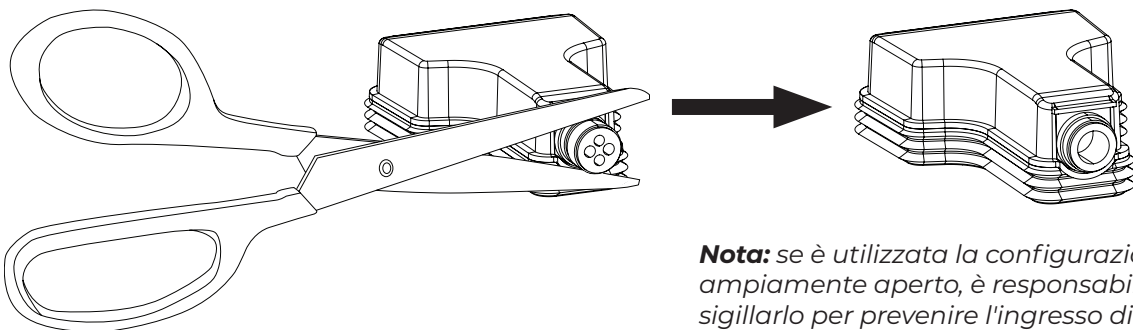


Preparazione della cover di protezione degli ingressi resistente agli agenti atmosferici

La cover di protezione degli ingressi resistente agli agenti atmosferici è progettata per tre diversi tipi di cablaggio (vedere sopra). Per adattare la configurazione della cover di protezione degli ingressi al tipo di cablaggio necessario, tagliare il corrugato in gomma lungo la perforazione.



Nota: se il diffusore è installato con il tubo protettivo in gomma rivolto verso l'alto, è responsabilità dell'installatore sigillarlo per prevenire l'ingresso di acqua nel connettore Euroblock.



Nota: se è utilizzata la configurazione con tubo in gomma ampiamente aperto, è responsabilità dell'installatore sigillarlo per prevenire l'ingresso di acqua nel connettore Euroblock.

Cablaggio del diffusore

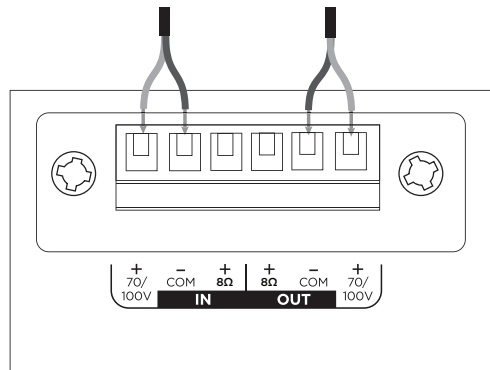
Diametro dei cablaggi

Il diffusore DesignMax DM8SE è concepito esclusivamente per l'impiego con cavi di dimensioni comprese tra 18 AWG (0,8mm²) e 14 AWG (2,1mm²).

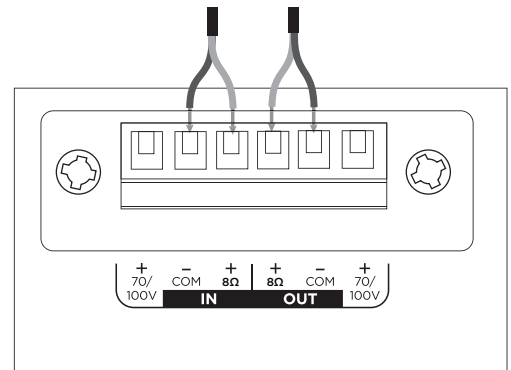
Schemi di collegamento

Scoprire 6mm di filo non rivestito da collegare ai terminali.

Nota: il diffusore non è certificato per l'utilizzo con un tubo rigido. Utilizzare esclusivamente connessioni di cablaggio o tubi protettivi flessibili.

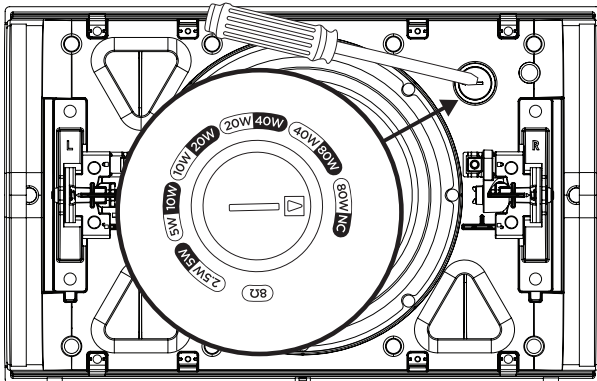


70 V/100 V



8Ω

Impostazioni del diffusore



70 V						8Ω
2,5W	5W	10W	20W	40W	80W*	
5W	10W	20W	40W	80W	NC**	
100V						

*Impostazioni di fabbrica

**NC: nessuna connessione (non utilizzare)

Impostazione di potenza del trasformatore

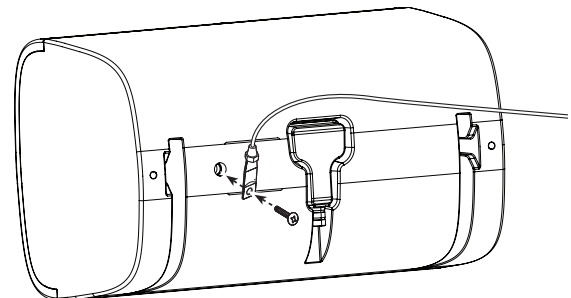
Selezionare la potenza ruotando tramite un cacciavite a testa piatta.

Uso di un cavo di sicurezza

Alcune normative edilizie regionali richiedono l'impiego di un secondo metodo di fissaggio dei diffusori alle strutture di supporto, allo scopo di garantire una maggior sicurezza. Scegliere posizione, metodo e accessori di fissaggio conformi ai regolamenti edilizi locali.

È possibile collegare un cavo di sicurezza al diffusore utilizzando l'insero filettato sul retro del cabinet.

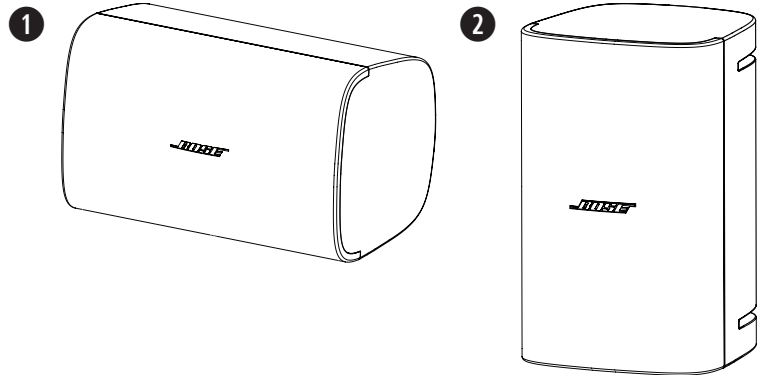
L'insero è dimensionato per una vite M8 (non inclusa) con profondità di 20mm.



Orientamento del diffusore

Scegliere l'orientamento del diffusore più adatto.

- ❶ Orizzontale
- ❷ Verticale



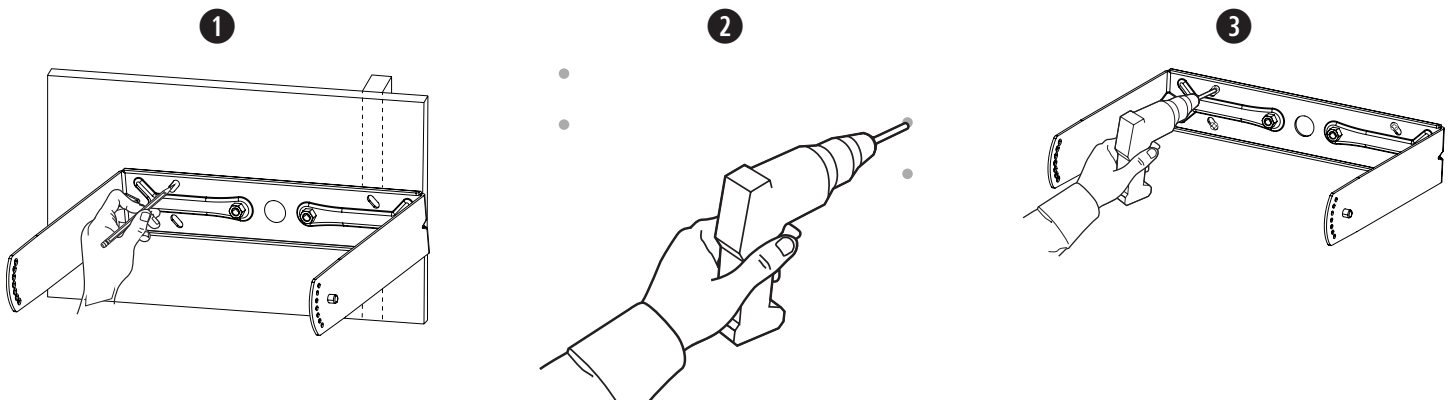
Nota: l'installazione in prossimità di piani di cottura dove il diffusore può essere direttamente esposto a oli alimentari, come ad esempio in cucine commerciali, può ridurre le prestazioni o la funzionalità del diffusore.

Installazione della staffa

Nota: durante la scelta della posizione di installazione, almeno due dei punti di aggancio della staffa devono essere fissati a una struttura portante. I punti di aggancio non fissati a una struttura portante devono essere fissati utilizzando componenti appropriati per l'installazione. Scegliere dispositivi di fissaggio conformi a tutti i requisiti e a tutte le normative in materia di costruzione in vigore a livello locale.

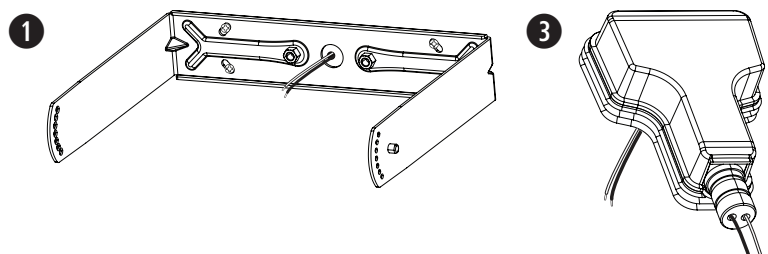
Nota: scegliere dispositivi di fissaggio appropriati per sostenere il peso del diffusore (11,1kg).

1. Contrassegnare la posizione dei fori.
2. Praticare quattro fori (dimensionati per i dispositivi di fissaggio appropriati) nella parete.
3. Fissare la staffa alla parete con quattro viti (non in dotazione). **Nota:** utilizzare viti M6 o da 1/4".



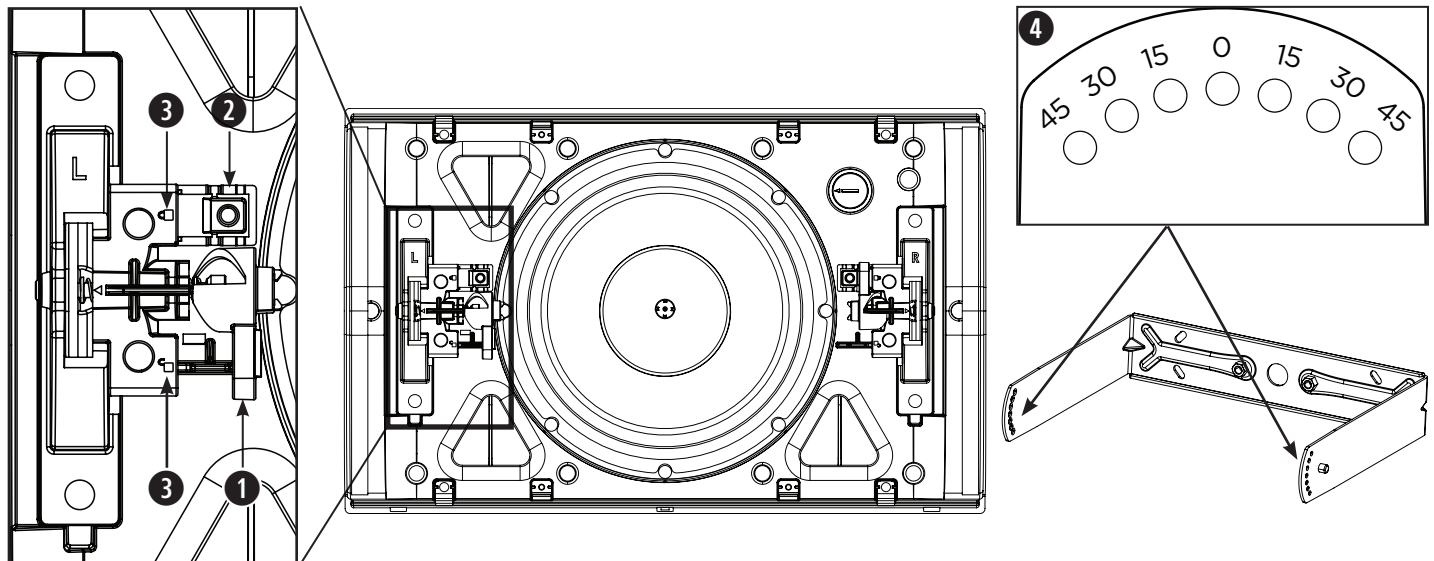
Cablaggio del connettore

1. Fai passare i cavi attraverso il foro centrale della staffa.
2. Rimuovi il connettore dal diffusore.
3. Se usi la cover di protezione degli ingressi resistente agli agenti atmosferici, inserisci i fili attraverso la parte inferiore della cover di protezione degli ingressi. Vedere **Preparazione della cover di protezione degli ingressi resistente agli agenti atmosferici** a pagina page 32.
4. Cablare il connettore. Per informazioni sul cablaggio, vedere **Cablaggio del diffusore** a pagina page 33.



Informazioni importanti per il montaggio

- 1 **Leve di bloccaggio:** da usare per fissare il diffusore alla staffa. Spingi le leve verso i perni di bloccaggio per bloccarle; allontanarle dai perni di bloccaggio per sbloccarle.
- 2 **Perni di bloccaggio:** per sbloccare le leve premi i perni.
- 3 **Indicatori di bloccaggio:** identificano la direzione di bloccaggio.
- 4 **Etichette di angolazione (sulla staffa):** identificano la tua angolazione desiderata.



Installazione del diffusore

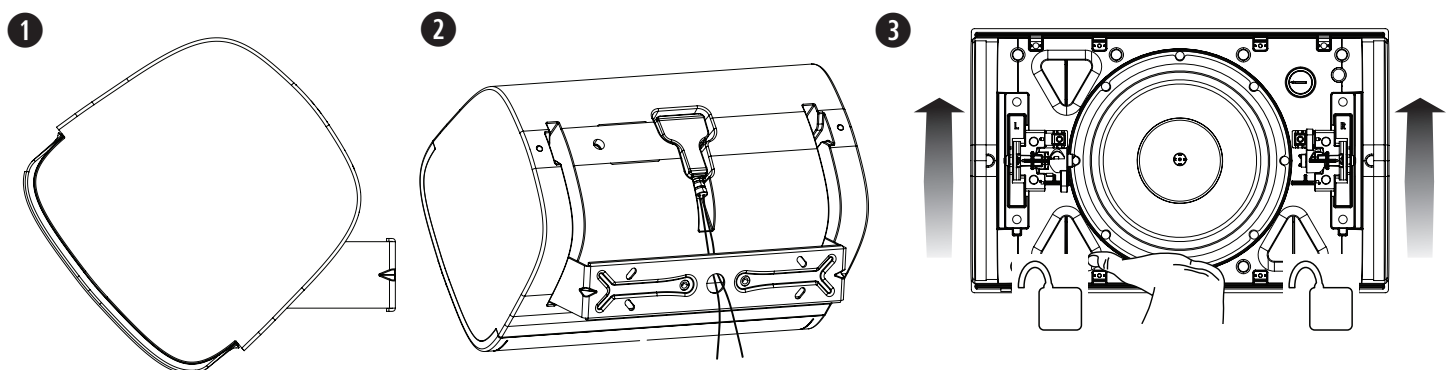
Nota: il diffusore è fornito con le leve di bloccaggio abbassate e bloccate con nastro. Rimuovi il nastro prima dell'installazione.

1. Aggancia il diffusore alla staffa, regola l'inclinazione a 45° e blocca le leve in posizione.
2. Fissa il connettore cablato al diffusore.
3. Sblocca le leve e regola l'inclinazione del diffusore all'angolo desiderato. Assicurati di reggere il peso del diffusore mentre ne regoli l'inclinazione.

Nota: l'inclinazione del diffusore è regolabile fra 0°, 15°, 30° o 45°.

4. Blocca le leve in posizione.

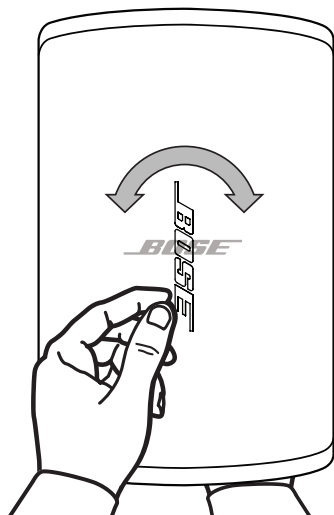
AVVERTENZA: la mancata impostazione delle leve in posizione di blocco come da istruzioni può determinare rischi di caduta, le cui conseguenze possono essere lesioni gravi o fatali alle persone e danni materiali. L'installatore è tenuto a verificare che il sistema di fissaggio sia installato come da istruzioni fornite.



Orientamento del logo

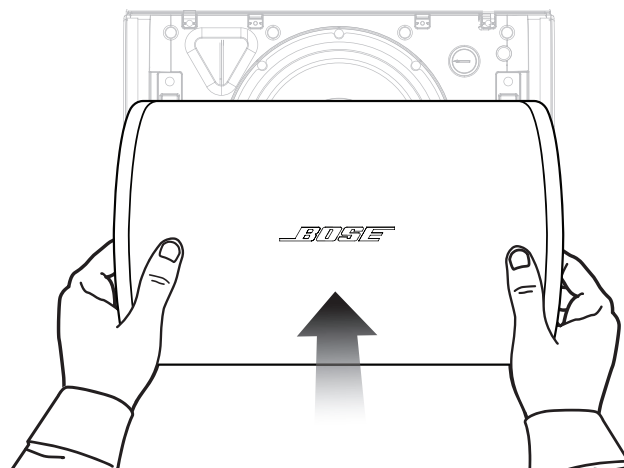
È possibile ruotare il logo Bose per allinearlo secondo l'orientamento del diffusore. Con una mano premi il pulsante sul retro della griglia. Ruota il logo con l'altra mano. Il logo può ruotare in senso orario o antiorario.

Nota: Premi il pulsante verso l'interno solo se desideri rimuovere il logo.



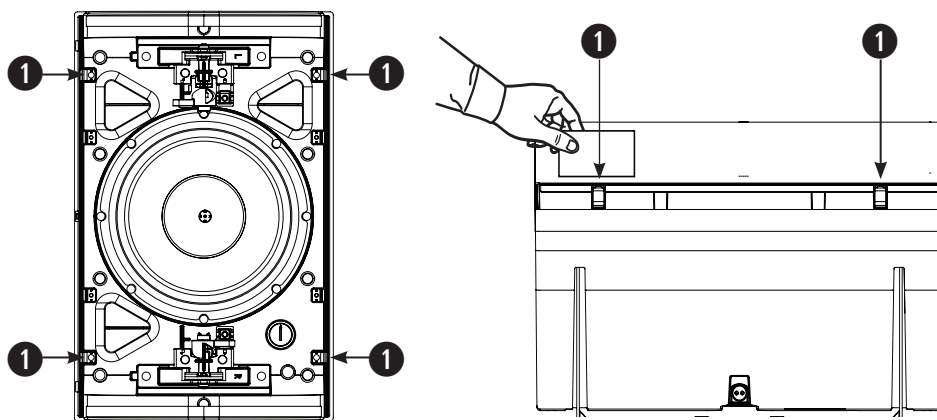
Fissaggio della griglia

Posiziona la griglia sulla parte anteriore del diffusore e spingila con decisione fino a fissarla in posizione.



Rimozione della griglia

Agli angoli della griglia sono presenti quattro piccole aperture (1). Per sganciare le linguette di rilascio inserisci un piccolo attrezzo piatto nelle aperture della griglia lungo il lato del diffusore. Separa la griglia dal diffusore.



Conformità alle norme di sicurezza

Il diffusore DesignMax DM8SE ha superato i test ai quali è stato sottoposto, risultando conforme alle specifiche e alle applicazioni indicate di seguito:

Conforme alle specifiche ANSI/UL 1480A-2016, Diffusori per uso professionale e commerciale e di sicurezza
Utilizzo generico - UL Categoria UEAY/UEAY7, Numero file S36835

Adatto per l'uso in presenza di umidità - IP55 secondo IEC 60529, 2019

Il modello DesignMax DM8SE è adatto per l'uso in esterni anche in presenza di umidità

Adatto per l'installazione mediante metodi di cablaggio Classe 1, Classe 2 o Classe 3 in conformità a NFPA 70, National Electrical Code, 2017, Articolo 640

Il diffusore DesignMax DM8SE è stato progettato in conformità ai requisiti previsti dalle seguenti normative europee relative ai sistemi combinati:

Collaudato in conformità a IEC60268-5, 2007

Lees alle veiligheidsinstructies en de gebruiksaanwijzing door en bewaar deze.

Dit product is uitsluitend bestemd voor installatie door professionele installateurs! Dit document is bedoeld om professionele installateurs essentiële installatie- en veiligheidsrichtlijnen te bieden voor dit product in standaardssystemen voor vaste installatie. Lees dit document en alle veiligheidswaarschuwingen voordat u een systeem probeert te installeren.

Probeer dit product niet zelf te repareren. Neem voor alle onderhoud contact op met een geautoriseerd servicecenter, installateur, technicus, dealer of distributeur. Om contact op te nemen met Bose Professional en voor informatie over de dichtstbijzijnde dealer of distributeur, gaat u naar **BoseProfessional.com**.

1. Lees deze instructies door.
2. Bewaar deze instructies.
3. Neem alle waarschuwingen in acht.
4. Volg alle instructies.
5. Zorg dat u de ventilatieopeningen niet blokkeert. Installeer het product volgens de instructies van de fabrikant.
6. Installeer het product niet in de buurt van warmtebronnen, zoals radiatoren, warmteroosters, kachels of andere apparaten (waaronder versterkers) die warmte produceren.
7. Gebruik uitsluitend aansluitstukken/accessoires die door de fabrikant worden gespecificeerd.



WAARSCHUWINGEN



Dit product bevat magnetisch materiaal. Raadpleeg uw arts om te vragen of dit invloed kan hebben op uw geïmplanteerde medische hulpmiddel.

- Het is de verantwoordelijkheid van de installateur een ophangstelsel te gebruiken dat de windbelasting kan weerstaan zoals vermeld in de toepasselijke regels en standaarden.
- Alle Bose Professional-producten moeten worden geïnstalleerd volgens de plaatselijke en landelijke voorschriften en industriënormen. Het is de verantwoordelijkheid van de installateur om ervoor te zorgen dat de installatie van de luidsprekers en het montagesysteem gebeurt met inachtneming van alle van toepassing zijnde voorschriften, waaronder plaatselijke bouwvoorschriften. Neem contact op met de juiste plaatselijke overheidsinstanties voordat u dit product installeert.
- Dit product is niet bedoeld voor installatie of gebruik in overdekte ruimten voor wateractiviteiten (waaronder overdekte zwembaden, overdekte waterparken, stoomruimten, sauna's, bubbelbadkamers en overdekte ijsbanen).
- Het onveilig monteren of ophangen van een zware last kan leiden tot beschadiging van uw eigendommen, ernstig letsel en overlijden. Het is de verantwoordelijkheid van de installateur om de betrouwbaarheid te evalueren van de gebruikte montagetechniek. Alleen professionele installateurs met kennis van het juiste gereedschap en veilige montagetechnieken mogen luidsprekers hoog ophangen.
- Niet bevestigen aan oppervlakken die niet sterk zijn of die mogelijke risico's opleveren, bijvoorbeeld vanwege elektrische bedrading of waterleidingen. Als u niet zeker weet hoe de wandsteen moet worden bevestigd, raadpleegt u een bevoegde installateur. Zorg ervoor dat de wandsteen wordt bevestigd volgens de plaatselijke bouwvoorschriften.
- Gebruik alleen de hardware en accessoires die zijn meegeleverd of gespecificeerd door Bose Professional voor gebruik met de DesignMax DM8SE luidsprekers. De hardware voor bevestiging van de luidspreker aan het bevestigingsoppervlak wordt niet meegeleverd. Raadpleeg voor informatie over compatibele accessoires het datasheet met technische gegevens op **BoseProfessional.com**.
- Houd het product uit de buurt van vuur en warmtebronnen. Plaats geen open vlam, zoals een brandende kaars, op of bij het product.
- Er mogen geen wijzigingen aan dit product worden aangebracht door onbevoegden.
- De DesignMax DM8SE-bevestigingsbeugel voor de wand is uitsluitend bestemd voor gebruik met de DM8SE.
- Stel de luidspreker of de montageonderdelen niet bloot aan chemische substanties die niet zijn gespecificeerd door Bose Professional, met inbegrip van, maar niet beperkt tot smeermiddelen, reinigingsmiddelen, contactsprays of andere oplosmiddelen op basis van koolwaterstoffen. Blootstelling aan dergelijke stoffen kan nadelige gevolgen hebben voor het kunststof materiaal, wat kan leiden tot scheuren en een risico op vallen.
- Reinig de luidsprekers alleen met een droge doek. Stel de luidspreker niet bloot aan zeep, reinigingsmiddel, minerale olie, alcohol of andere reinigingsmiddelen of chemicaliën.
- Raak niet-geïsoleerde kabels of kabelterminals niet aan. De audiokabelterminals van dit product brengen een voltage over dat bij aanraking onprettig kan aanvoelen.

Productvermogen:

Ingangsspanning: 70 V/100 V

Impedantie: 8 Ω, 125 W

Stroomsterkte (70 V): 2,5 W, 5 W, 10 W, 20 W, 40 W, 80 W;

(100 V): 5 W, 10 W, 20 W, 40 W, 80 W

Wettelijk verplichte informatie



Dit product voldoet aan alle vereisten van de van toepassing zijnde EU-richtlijnen. De volledige conformiteitsverklaring kunt u vinden op de specifieke productpagina:

BoseProfessional.com



Dit symbool betekent dat het product niet mag worden weggegooid als huishoudelijk afval en naar een geschikt inzamelpunt voor recycling moet worden gebracht. Het op de juiste wijze afvoeren en recyclen helpt natuurlijke hulpbronnen, de menselijke gezondheid en het milieu te beschermen. Voor meer informatie over het afvoeren en recyclen van dit product neemt u contact op met de gemeente waar u woont, de afvalverwerkingsdienst of de winkel waar u dit product hebt gekocht.

Tabel m.b.t. de beperking van gevaarlijke stoffen in China

Namen van en gehalte aan giftige of gevaarlijke stoffen of elementen						
Giftige of gevaarlijke stoffen en elementen						
Naam onderdeel	Lood (Pb)	Kwik (Hg)	Cadmium (Cd)	Zeswaardig chroom (Cr(VI))	Polybroombifenylen (PBB)	Polybroomdifenylen-ethers (PBDE)
PCB's	X	O	O	O	O	O
Metalen onderdelen	X	O	O	O	O	O
Kunststof onderdelen	O	O	O	O	O	O
Luidsprekers	X	O	O	O	O	O
Kabels	X	O	O	O	O	O

Deze tabel is opgesteld in overeenstemming met de bepalingen van SJ/T 11364.
 O: Geeft aan dat het gehalte aan deze giftige of gevaarlijke stof in alle homogene materialen van dit onderdeel onder de maximaal toegelaten waarden in GB/T 26572 ligt.
 X: Geeft aan dat de giftige of gevaarlijke stof in minstens één van de voor dit onderdeel gebruikte homogene materialen boven de maximaal toegelaten waarden in GB/T 26572 ligt.



Tabel m.b.t. de beperking van gevaarlijke stoffen in Taiwan

Naam van het product: DesignMax DM8SE, typeaanduiding: 892116						
Stoffen waarvoor beperkingen gelden, met de bijbehorende chemische symbolen						
Onderdeel	Lood (Pb)	Kwik (Hg)	Cadmium (Cd)	Zeswaardig chroom (Cr+6)	Polybroombifenylen (PBB)	Polybroomdifenylen-ethers (PBDE)
PCB's	-	O	O	O	O	O
Metalen onderdelen	-	O	O	O	O	O
Kunststof onderdelen	O	O	O	O	O	O
Luidsprekers	-	O	O	O	O	O
Kabels	-	O	O	O	O	O

Opmerking 1: 'O' geeft aan dat de procentuele inhoud van de stof waarvoor beperkingen gelden het percentage van de referentiewaarde voor aanwezigheid niet overschrijft.
 Opmerking 2: '-' geeft aan dat de stof waarvoor beperkingen gelden overeenkomt met de uitzondering.

Fabricagedatum: Het achtste cijfer in het serienummer geeft het fabricagejaar aan, '7' is 2007 of 2017.

Europese importeur: Transom Post Netherlands B.V., Keizersgracht 391A, 1016 EJ, Amsterdam | **Importeur in het VK:** Transom Post Netherlands UK, Squires House 205a High Street, West Wickham, BR4 0PH | **Importeur in Japan:** Transom Post International Japan KK Co., Ltd. PMO Tamachi IV Shiba5-29-19, Minato-ku, Tokio | **Importeur in Australië:** Transom Post Australia Pty. Ltd., Level 14, 60 Margaret Street, Sydney, NSW 2000 | **Importeur in China:** Transom Post (Shanghai) Audio Co. Ltd Room 2209, Building 1, 175 Longyao Road, Xuhui District, Shanghai | **Importeur in Mexico:** POST INTL MEXICO, S. DE R.L. DE C.V. Insurgentes Sur No. 1079, 1st floor, Colonia Noche Buena, Benito Juárez, C.P. 03270, Mexico-stad | **Importeur in de VAE:** 102 A, Sama Tower Sheikh Zayed Road, Dubai VAE

Bose is een handelsmerk van Bose Corporation.

DesignMax is een handelsmerk van Transom Post OpCo LLC.

Bose Professional, 117 South St, Hopkinton, MA 01748 VS

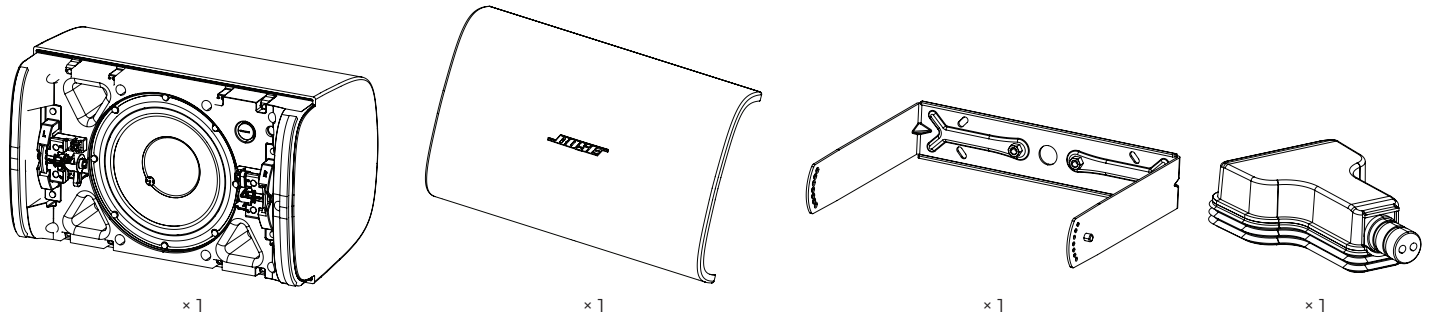
©2024 Transom Post OpCo LLC. Niets in deze uitgave mag worden gereproduceerd, gewijzigd, gedistribueerd of op andere wijze worden gebruikt zonder voorafgaande schriftelijke toestemming.

Garantie-informatie

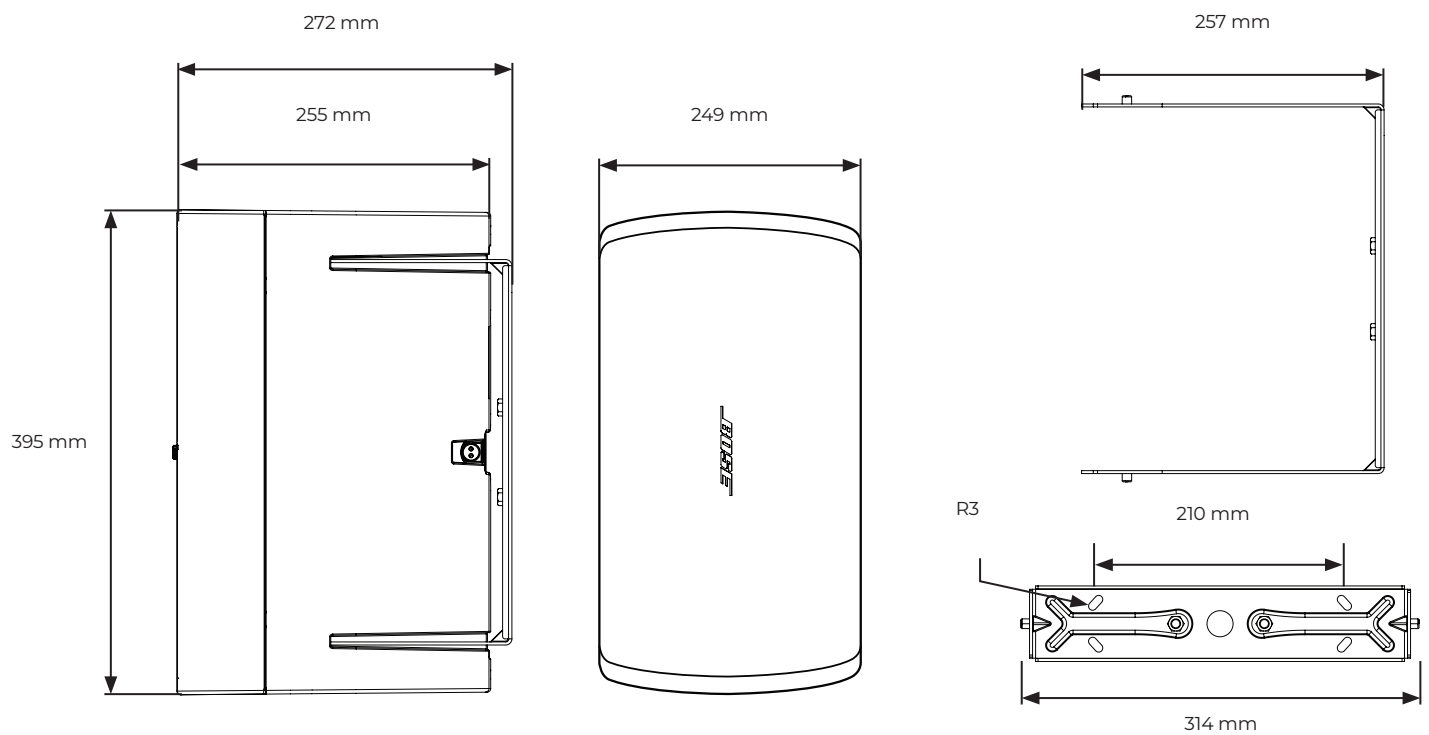
Dit product wordt gedekt door een beperkte garantie.

Ga voor garantie-informatie naar **BoseProfessional.com/Warranty**.

Inhoud van de doos



Afmetingen van het product



Technische specificaties

Raadpleeg voor aanvullende specificaties het datasheet met technische gegevens voor de DesignMax DM8SE op BoseProfessional.com.

Fysiek	
Nettogewicht, luidspreker met grille en beugel	11,1 kg
Verzendgewicht	13 kg
Weerbestendigheid	Geschikt voor gebruik op vochtige locaties IP55 volgens IEC 60529, 2019

Belangrijke installatie-informatie

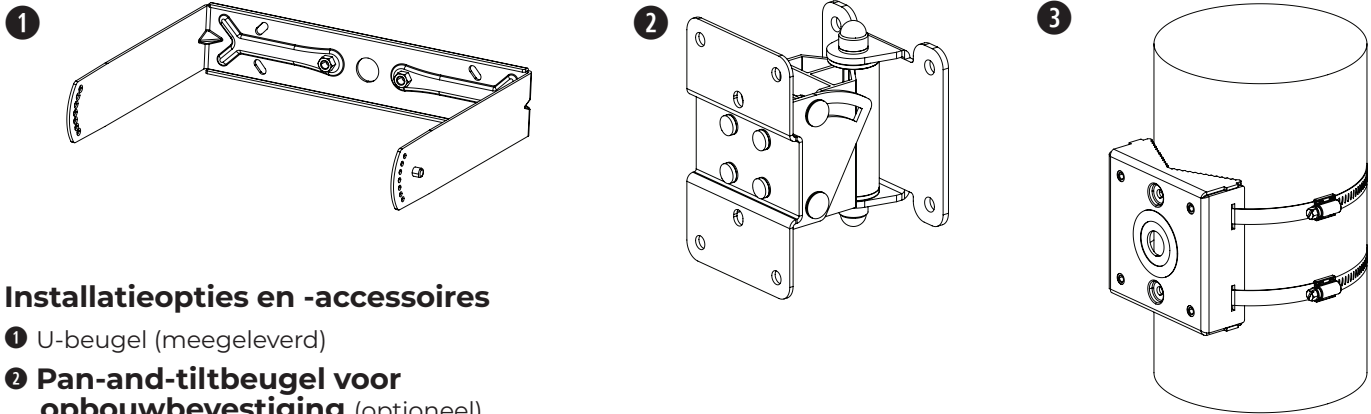


Lees voordat u de luidspreker installeert **Belangrijke veiligheidsinstructies** op pagina 2.



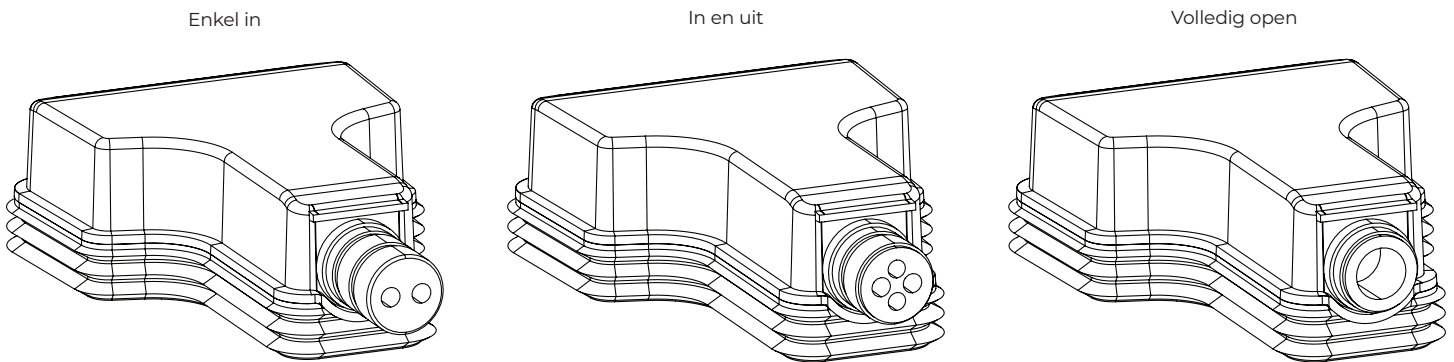
Voor **audio-installaties voor algemeen gebruik**, IP55-beoordeling volgens EN60529.

Installatieopties



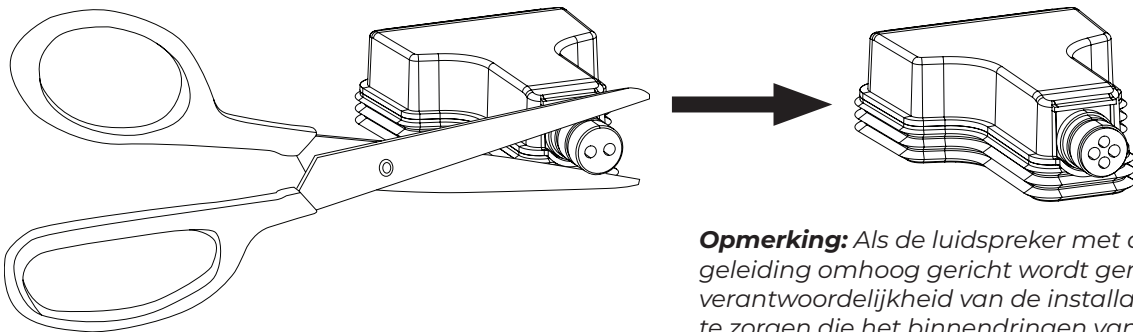
Installatieopties en -accessoires

- 1 U-beugel (meegeleverd)
- 2 Pan-and-tiltbeugel voor opbouwbevestiging (optioneel)
- 3 Beugel voor paalmontage (optioneel)

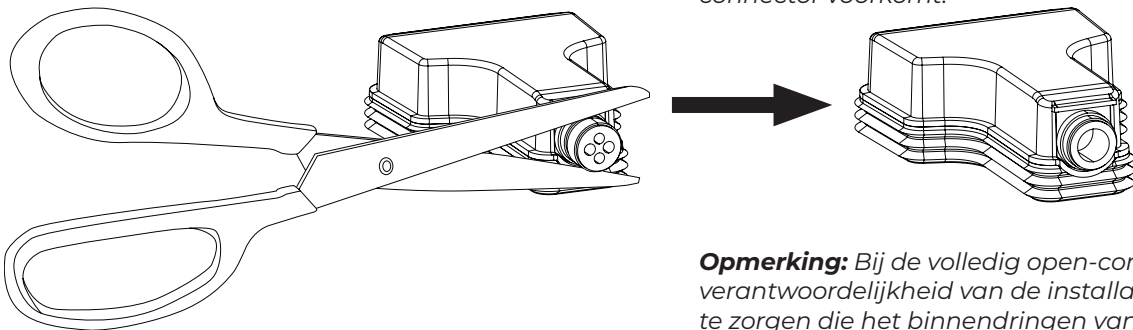


De weerbestendige afdekking voorbereiden

De weerbestendige afdekking is geschikt voor drie verschillende bedradingsschema's (zie boven). Om de configuratie van de afdekking aan te passen aan uw bedradingsschema, knipt u langs de perforatie op de rubberen geleiding.



Opmerking: Als de luidspreker met de rubberen geleiding omhoog gericht wordt gemonteerd, is het de verantwoordelijkheid van de installateur om voor afdichting te zorgen die het binnendringen van water in de Euroblock-connector voorkomt.



Opmerking: Bij de volledig open-configuratie is het de verantwoordelijkheid van de installateur om voor afdichting te zorgen die het binnendringen van water in de Euroblock-connector voorkomt.

De luidspreker bekabelen

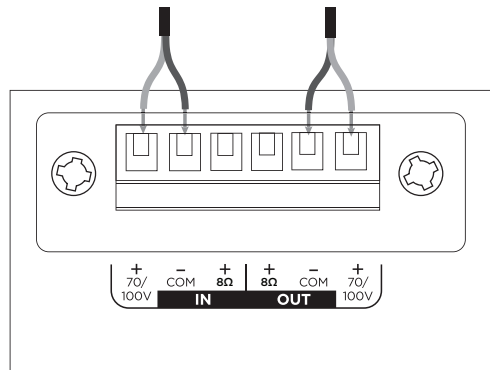
Bekabelingsdiameter

De DesignMax DM8SE luidspreker is uitsluitend ontworpen voor bedrading van 18 AWG (0,8 mm²) tot 14 AWG (2,1 mm²).

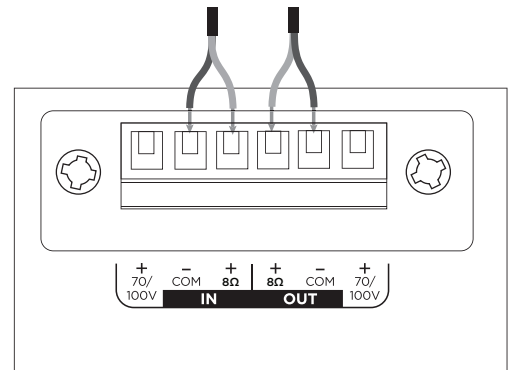
Aansluitdiagrammen

Strip zes millimeter van de kabelisolatie voor bevestiging van de kale kabel aan de aansluitingen.

Opmerking: De luidspreker is niet getest voor gebruik met een rigide geleider. De luidspreker is alleen geschikt voor gebruik met een flexibele geleider of een kabel.

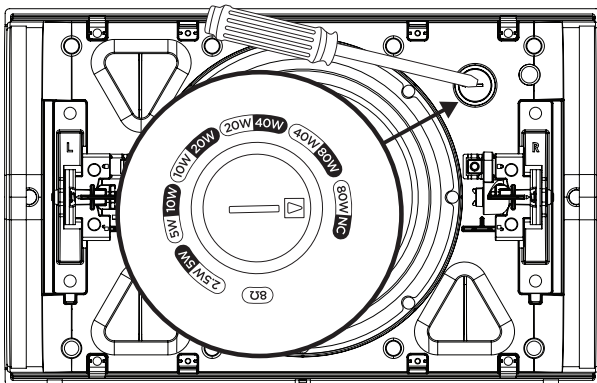


70 V/100 V



8 Ω

Luidsprekerinstellingen



70 V						8 Ω
2,5 W	5 W	10 W	20 W	40 W	80 W*	
5 W	10 W	20 W	40 W	80 W	NC**	
100 V						

* Fabrieksinstelling

** NC: No Connection (geen aansluiting; niet gebruiken)

Transformatorinstelling

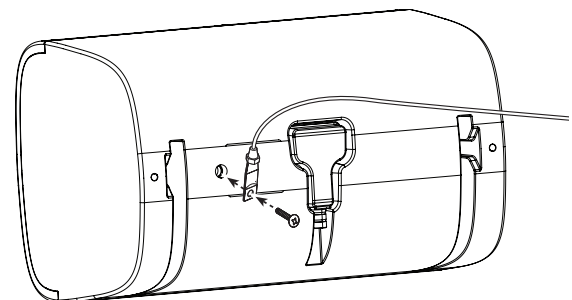
Draai om de transformator in te stellen. Gebruik een schroevendraaier met platte kop.

Een veiligheidskabel gebruiken

In sommige regio's bent u volgens de bouwvoorschriften verplicht luidsprekers dubbel gezeerd te bevestigen voor extra veiligheid. De gekozen locatie, montagewijze en gebruikte montagemiddelen moeten voldoen aan de geldende bouwvoorschriften en -verordeningen.

Er kan een veiligheidskabel aan de luidspreker worden bevestigd met behulp van de schroefdraad op de achterkant van de behuizing.

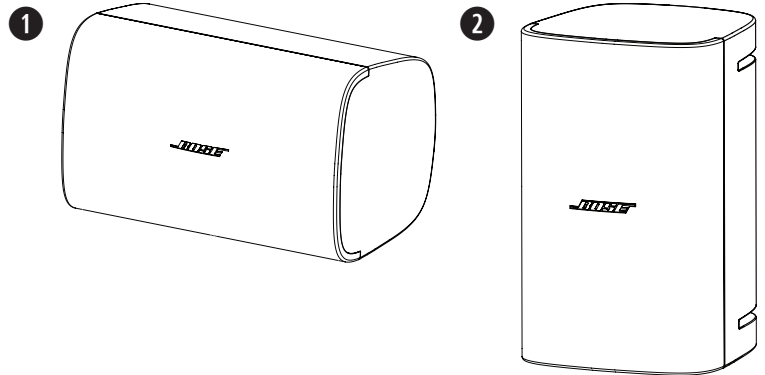
De opening is geschikt voor een M8-schroef (niet meegeleverd) met een lengte van 20 millimeter.



Luidsprekeroriëntatie

Kies de luidsprekeroriëntatie die het meest geschikt is voor uw installatie.

- ① Horizontaal
- ② Verticaal



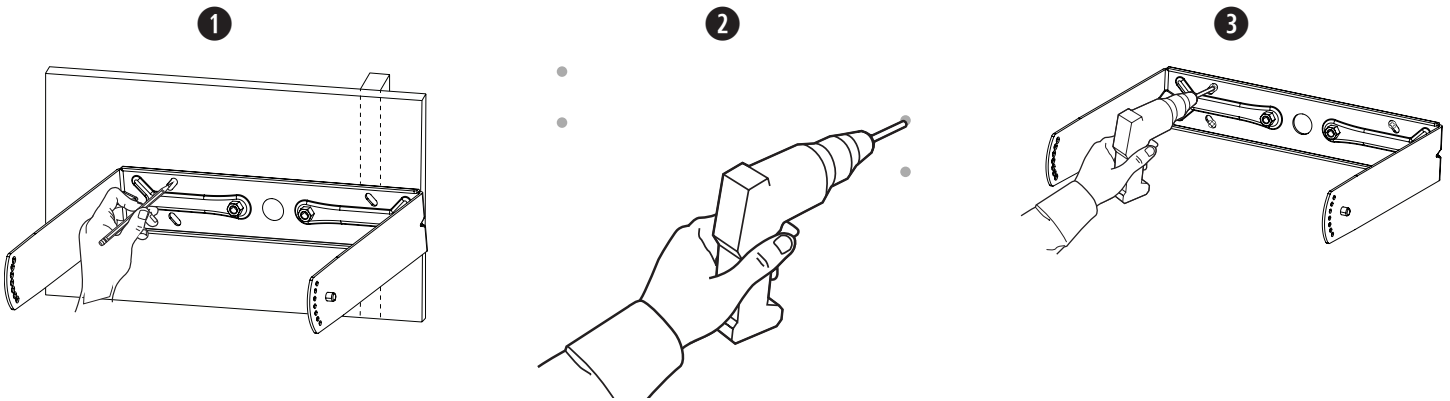
Opmerking: Installatie in de nabijheid van kookoppervlakken waar de luidspreker direct kan worden blootgesteld aan bakolie (zoals in professionele keukens) kan de prestaties of betrouwbaarheid van de luidspreker verminderen.

De beugel bevestigen

Opmerking: Ten minste twee van de bevestigingspunten van de muurbeugel moeten aan een dragende structuur worden bevestigd. Bij bevestigingspunten die niet aan een dragende structuur worden bevestigd, moet de juiste bevestigingshardware worden gebruikt. Kies bevestigingsmaterialen die aan de lokale bouwvoorschriften en -vereisten voldoen.

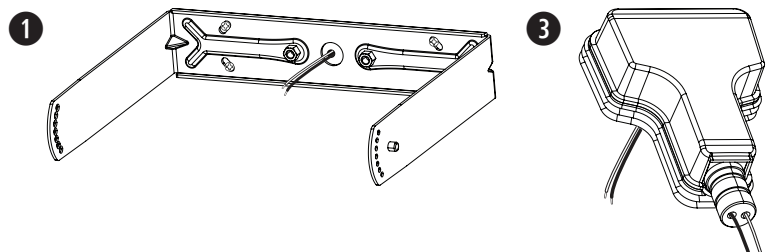
Opmerking: Kies bevestigingsmaterialen die het gewicht van de luidspreker kunnen dragen (11,1 kg).

1. Teken de boorgaten af.
2. Boor vier gaten (met een bij de schroeven passende diameter) in de muur.
3. Bevestig de beugel aan de muur met vier schroeven (niet meegeleverd). **Opmerking:** Gebruik M6-schroeven of schroeven van 1/4".



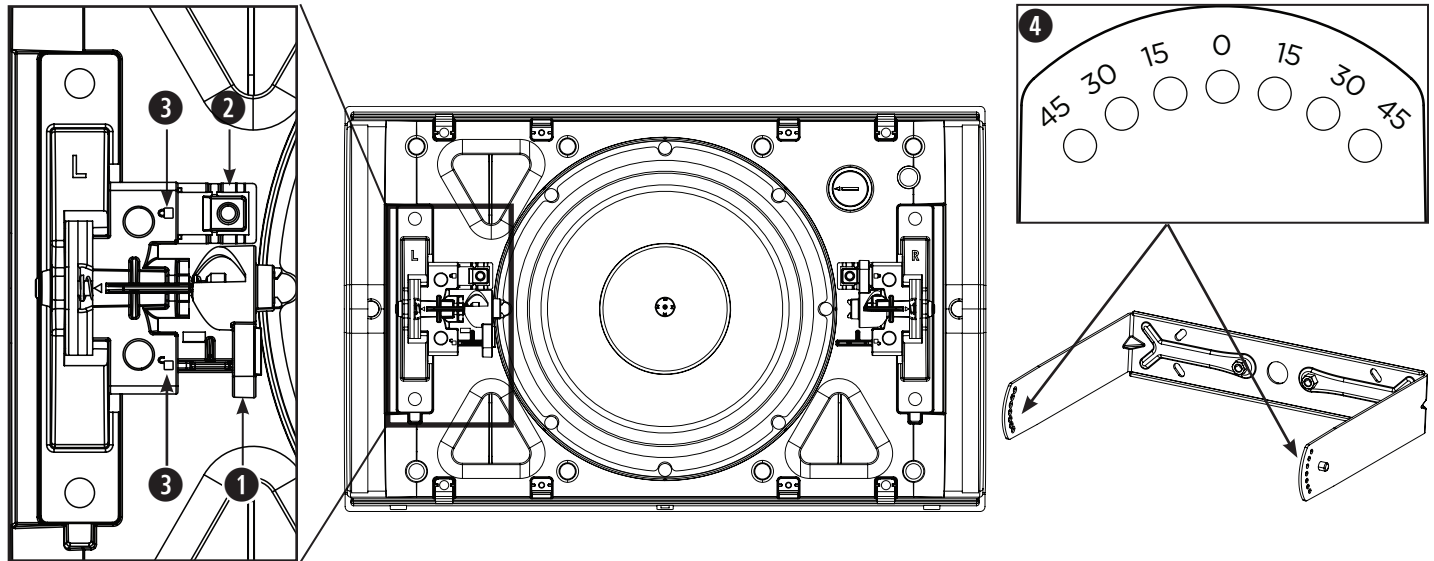
De connector bekabelen

1. Haal de kabels door de middelste opening van de beugel.
2. Verwijder de connector uit de luidspreker.
3. Als u de weerbestendige afdekking gebruikt, haalt u de kabels door de onderkant van de afdekking. Raadpleeg **De weerbestendige afdekking voorbereiden** op pagina 39.
4. Bekabel de connector. Raadpleeg voor bekabelingsinformatie **De luidspreker bekabelen** op pagina 40.



Belangrijke montage-informatie

- 1 **Vergrendelingshendels:** Worden gebruikt om de luidspreker aan de beugel te bevestigen. Duw de hendels richting de vergrendelingspinnen om te vergrendelen; duw de hendels van de vergrendelingspinnen vandaan om te ontgrendelen.
- 2 **Vergrendelingspinnen:** Druk de pinnen omlaag om de hendels te ontgrendelen.
- 3 **Vergrendelingsaanduiding:** Geeft de vergrendelingsrichting aan.
- 4 **Hoekaanduiding (op beugel):** Geeft de gewenste hoek aan.



De luidspreker installeren

Opmerking: De luidspreker wordt geleverd met vastgetapete vergrendelingshendels. Verwijder de tape voor de installatie.

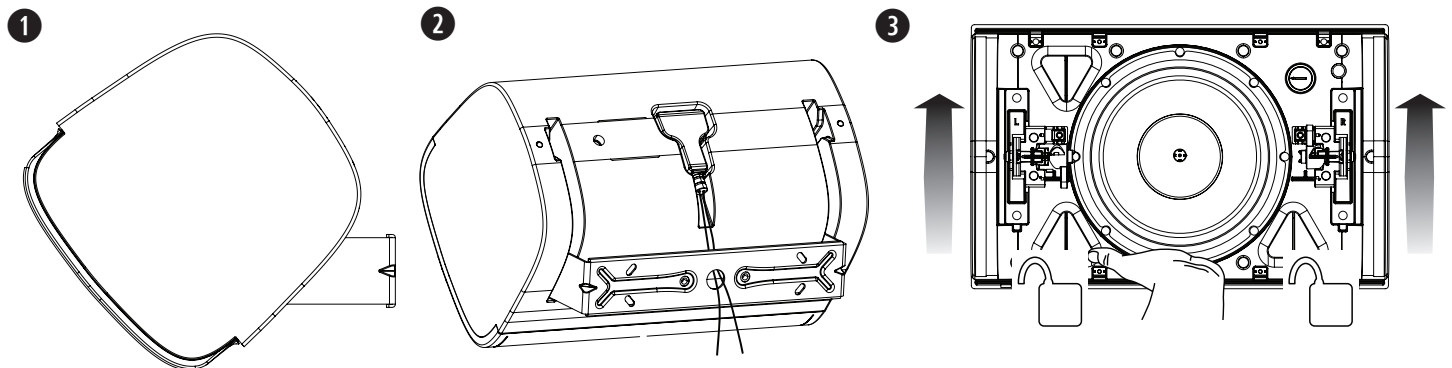
1. Bevestig de luidspreker aan de beugel, stel de luidspreker in op een hoek van 45° en vergrendel de hendels.
2. Bevestig de bekabelde connector aan de luidspreker.
3. Ontgrendel de hendels en stel de gewenste hoek van de luidspreker in. Zorg dat de luidspreker wordt ondersteund terwijl u de luidsprekerhoek instelt.

Opmerking: De hoek van de luidspreker kan worden ingesteld op 0°, 15°, 30° of 45°.

4. Vergrendel de hendels.



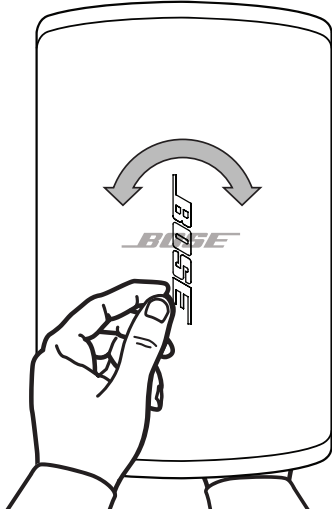
WAARSCHUWING: Wanneer de hendels niet volgens de instructies in de vergrendelingspositie worden vastgeklikt, kan er een risico op vallen ontstaan met mogelijk ernstige verwondingen of de dood tot gevolg. Het is de verantwoordelijkheid van de installateur ervoor te zorgen dat het bevestigingssysteem wordt geïnstalleerd volgens de instructies.



Het logo verstellen

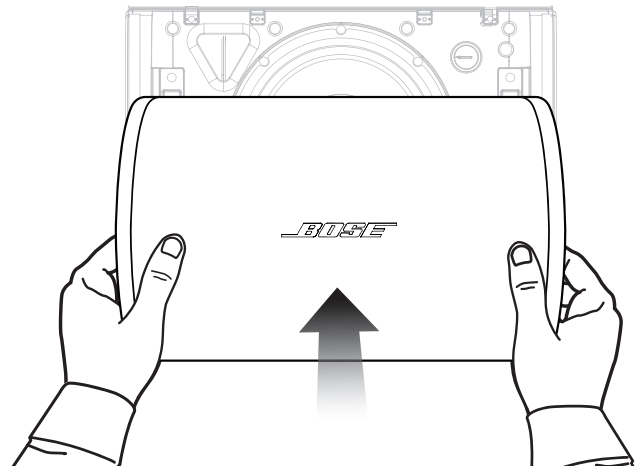
Het Bose-logo kan worden gedraaid afhankelijk van de luidsprekeroriëntatie. Druk met één hand op de knop op de achterkant van de grille. Draai het logo met de andere hand. Het logo kan links- of rechtsom worden gedraaid.

Opmerking: *Knijp de knop niet in tenzij u het logo wilt verwijderen.*



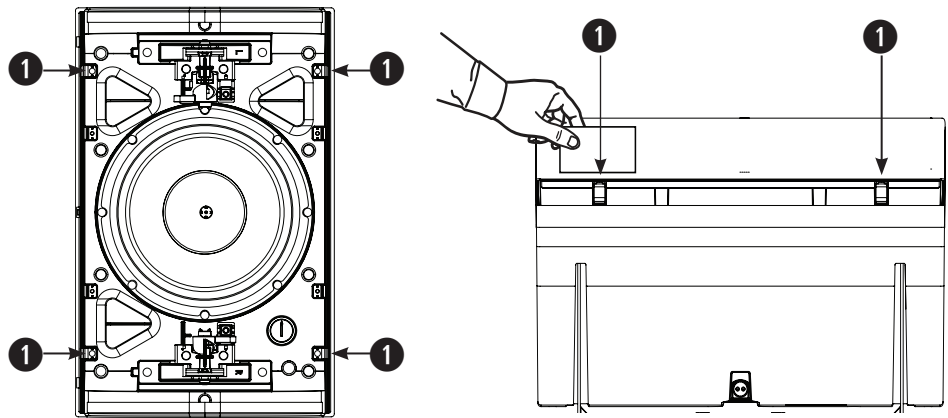
De grille plaatsen

Plaats de grille op de luidspreker en druk de grille aan totdat deze vastklikt.



De grille verwijderen

Er zitten vier kleine openingen in de hoeken van de grille (1). Duw aan de luidsprekerzijde een klein en plat stuk gereedschap in de grille-openingen om de grille te ontgrendelen. Trek de grille van de luidspreker.



Veiligheid en naleving van regelgeving

De DesignMax DM8SE luidspreker is getest en voldoet voor onderstaande specificaties en toepassingen:

ANSI/UL 1480A-2016, Speakers for Commercial & Safety Professional Use

General-Purpose Use - UL Category UEAY/UEAY7, File Number S36835

Geschikt voor gebruik op vochtige locaties - IP55 volgens IEC 60529, 2019

De DesignMax DM8SE is geschikt voor gebruik buiten op natte locaties

Geschikt voor installatie middels bekabelingsmethoden Klasse 1, Klasse 2 of Klasse 3 volgens NFPA 70, National Electrical Code, 2017, artikel 640

De DesignMax DM8SE luidspreker is ontworpen volgens de vereisten die zijn vastgelegd in onderstaande specificatie van Europese regelgeving voor combinatiesystemen:

Getest volgens IEC60268-5, 2007

Les og ta vare på alle sikkerhets- og bruksinstruksjoner.

Dette produktet skal bare monteres av profesjonelle montører!

Formålet med dette dokumentet er å gi profesjonelle montører grunnleggende monterings- og sikkerhetsveiledning for dette produktet i typiske fastmonteringsystemer. Les dette dokumentet og alle sikkerhetsadvarsler før du starter monteringen.

Ikke prøv å utføre vedlikehold på dette produktet selv. Henviss alt vedlikehold til autoriserte servicesentre, montører, teknikere, forhandlere eller distributører. Hvis du vil kontakte Bose Professional eller finne en forhandler eller distributør i nærheten, går du til

BoseProfessional.com.

1. Les disse instruksjonene.
2. Ta vare på instruksjonene.
3. Følg alle advarslene.
4. Følg alle instruksjoner.
5. Ikke blokker ventilasjonsåpninger. Plasser i henhold til produsentens instruksjoner.
6. Ikke plasser produktet nær varmekilder som radiatorer, ventilasjonsgitter, ovner eller andre apparater (inkludert forsterkere) som produserer varme.
7. Bare bruk fester/tilbehør som er angitt av produsenten.

ADVARSLER/FORHOLDSREGLER

Dette produktet inneholder magnetisk materiale. Kontakt en lege hvis du vil finne ut om dette kan påvirke implantert medisinsk utstyr.

- Det er montørens ansvar å bruke et støttesystem som har tilstrekkelig motstand mot vind for å samsvare med gjeldende forskrifter og standarder.
- Alle Bose Professional-produkter må monteres i henhold til bransjeforskrifter og lokale og nasjonale forskrifter. Det er montørens ansvar å sikre at monteringen av høyttalerne og monteringssystemet utføres i henhold til alle gjeldende forskrifter, inkludert lokale byggeforskrifter og bestemmelser. Kontakt de lokale myndighetene som har domsmyndighet før du monterer dette produktet.
- Dette produktet er ikke ment for montering eller bruk i innendørs vannanlegg (inkludert, men ikke begrenset til, innendørs basseng, innendørs badeland, rom med badestamp, badstuer, damprom og innendørs skøytebaner).
- Utrygg montering eller opphenging av tunge gjenstander kan forårsake alvorlig skade eller død, samt skade på eiendom. Det er montørens ansvar å vurdere påliteligheten til alle monteringsmetodene de bruker. Takmonterte høyttalere skal bare monteres av profesjonelle montører med kunnskap om det riktige utstyret og trygge monterings teknikker.
- Skal ikke monteres på overflater som ikke er solide, eller som har skjulte færemomenter bak seg, for eksempel elektriske kabler eller rør. Kontakt en kvalifisert montør hvis du er usikker på hvordan braketten skal monteres. Sørg for at braketten er montert i henhold til lokale byggeforskrifter.
- Bruk bare utstyret og tilbehøret som følger med, eller som er spesifisert av Bose Professional for bruk med DesignMax DM8SE-høyttalere. Deler for å feste høyttaleren til overflaten er ikke inkludert. Hvis du vil ha informasjon om kompatibelt tilbehør, kan du se produktets tekniske dataark på **BoseProfessional.com**.
- Hold produktet unna ild og andre varmekilder. Ikke plasser kilder til bar ild, for eksempel tente, stearinlys, på eller nær produktet.
- Ikke foreta uautoriserte endringer på dette produktet.
- DesignMax DM8SE-veggmonteringsbraketten kan kun brukes med DM8SE-modellen.
- Ikke eksponer høyttaleren eller monteringskomponentene for kjemikalier som ikke er spesifisert av Bose Professional, inkludert, men ikke begrenset til, smøremidler, rengjøringsmidler, kontaktsprayer eller andre hydrokarbonbaserte oppløsningsmidler. Slike midler kan forårsake at plastmaterialet brytes ned, som igjen kan forårsake sprekker og at høyttaleren faller ned.
- Bruk bare en tørr klut når du skal rengjøre høyttalerne. Ikke bruk såpe, vaskemiddel, mineralolje, alkohol eller andre rengjøringsmidler eller kjemikalier når du rengjør høyttaleren.
- Ikke berør uisolerte kabler eller koblingspunkter. Dette produktets lyd koblingspunkter er spenningsførende og kan derfor føre til ubehag ved berøring.

Produktklassifisering:

Inngangsspenning: 70/100 V

Impedans: 8 Ω, 125 W

Strøm eller effekt: (70 V): 2,5W, 5W, 10W, 20W, 40W, 80W, (100 V): 5 W, 10 W, 20 W, 40 W, 80 W

Informasjon om forskrifter



Produktet overholder alle kravene i gjeldende EU-direktiver. Den fullstendige samsvarserklæringen finner du på den produktspesifikke siden: **BoseProfessional.com**



Dette symbolet betyr at produktet ikke må kasseres som husholdningsavfall, og at det skal leveres inn til et passende gjenvinningsanlegg. Riktig håndtering og gjenvinning bidrar til å beskytte naturressurser, helse og miljø. Mer informasjon om avhending og resirkulering av dette produktet kan fås hos kommunen, renovasjonstjenesten eller butikken der du kjøpte dette produktet.

Tabell over begrensede farlige stoffer for Kina

Navn på og innhold i giftige eller skadelige stoffer eller bestanddeler						
Giftige eller farlige stoffer og elementer						
Delenavn	Bly (Pb)	Kvikksølv (Hg)	Kadmium (Cd)	Heksavalent (CR(VI))	Polybromert bifenyler (PBB)	Polybromert difenyler (PBDE)
PCB-er	X	0	0	0	0	0
Metalldeler	X	0	0	0	0	0
Plastdeler	0	0	0	0	0	0
Høyttalere	X	0	0	0	0	0
Kabler	X	0	0	0	0	0

Denne tabellen er utarbeidet i henhold til kravene i SJ/T 11364.

0: Angir at dette giftige eller farlige stoffet som finnes i alle de homogene materialene i denne delen, er under grensekravene i GB/T 26572.

X: Angir at dette giftige eller farlige stoffet som finnes i minst ett av de homogene materialene i denne delen, er over grensekravene i GB/T 26572.

Tabell over begrensede farlige stoffer for Taiwan

Utstyrnavn: DesignMax DM8SE, Typebetegnelse: 892116						
Begrensede stoffer og kjemiske symboler						
Enhet	Bly (Pb)	Kvikksølv (Hg)	Kadmium (Cd)	Heksavalent krom (Cr+6)	Polybromerte bifenyler (PBB)	Polybromerte difenyler (PBDE)
PCB-er	-	0	0	0	0	0
Metalldeler	-	0	0	0	0	0
Plastdeler	0	0	0	0	0	0
Høyttalere	-	0	0	0	0	0
Kabler	-	0	0	0	0	0

Merknad 1: «0» angir at den prosentvise innholdsandelen av det begrensede stoffet ikke overskrider prosentdelen av referanseverdien for tilstedeværelse.

Merknad 2: - angir at det begrensede stoffet samsvarer med fritaket.

Produksjonsdato: Det åttende tallet i serienummeret viser produksjonsåret: 7 er 2007 eller 2017.

Importør i EU: Transom Post Netherlands B.V., Keizersgracht 391A, 1016 EJ, Amsterdam
Britisk importør: Transom Post Netherlands UK, Squires House 205a High Street, West Wickham, BR4 0PH | **Japansk importør:** Transom Post International Japan KK Co., Ltd. PMO Tamachi IV Shiba5-29-19, Minato-ku, Tokyo | **Australsk importør:** Transom Post Australia Pty. Ltd., Level 14, 60 Margaret Street, Sydney, NSW 2000 | **Kinesisk importør:** Transom Post (Shanghai) Audio Co. Ltd Room 2209, Building 1, 175 Longyao Road, Xuhui District, Shanghai | **Meksikansk importør:** POST INTL MEXICO, S. DE R.L. DE C.V. Insurgentes Sur No. 1079, 1st floor, Colonia Noche Buena, Benito Juárez, C.P. 03270, Mexico City | **Importør for De forente arabiske emirater:** 102 A, Sama Tower Sheikh Zayed Road, Dubai UAE

Bose er et varemerke som tilhører Bose Corporation.

DesignMax er et varemerke som tilhører Transom Post OpCo LLC.

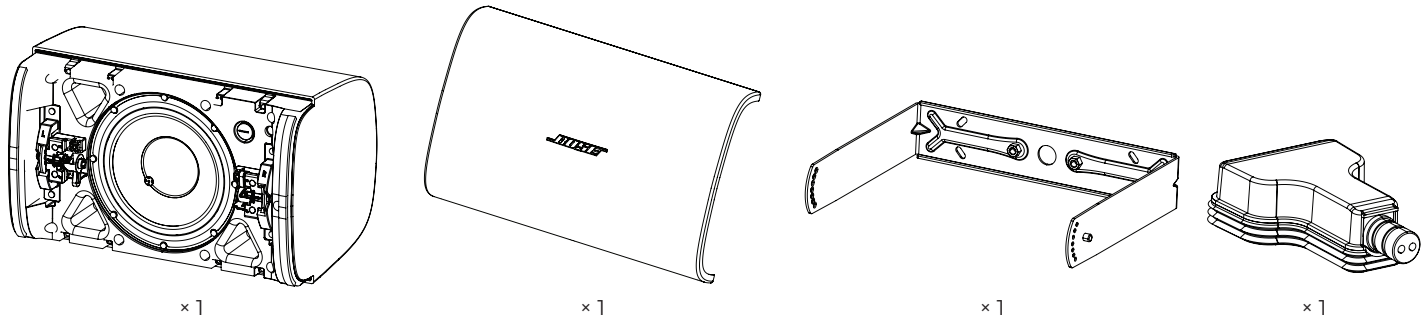
Bose Professional, 117 South St, Hopkinton, MA 01748 USA

©2024 Transom Post OpCo LLC. Ingen del av dette arbeidet kan bli reproduisert, endret, distribuert eller på annen måte brukt uten skriftlig tillatelse på forhånd.

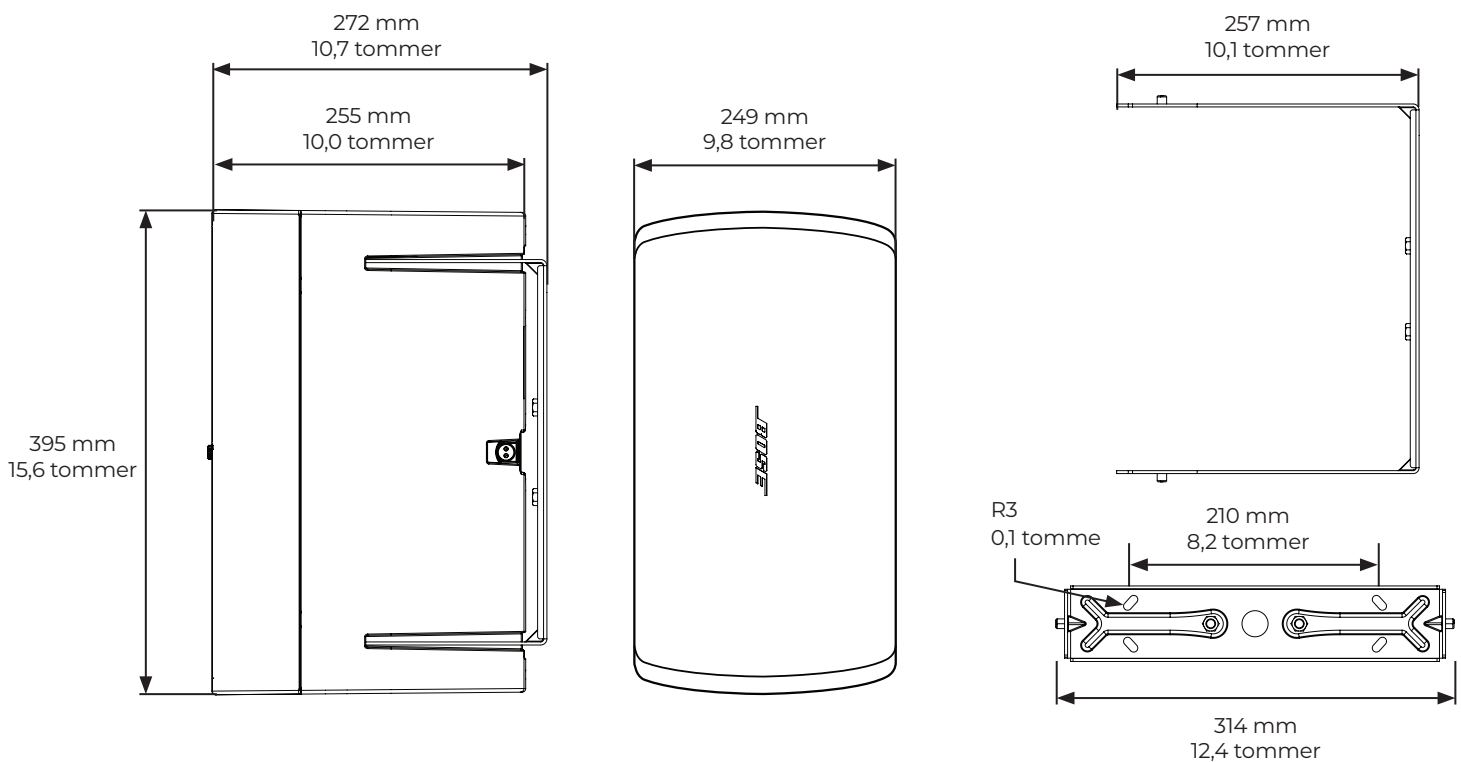
Garantiinformasjon

Dette produktet er dekket av en begrenset garanti.
 Hvis du vil ha mer informasjon om garanti, kan du gå til **BoseProfessional.com/Warranty**.

Innhold i pakken



Produktmål



Tekniske spesifikasjoner

Hvis du vil ha flere spesifikasjoner, kan du se det tekniske dataarket for DesignMax DM8SE på BoseProfessional.com.

Fysisk	
Nettovekt, Høytaler med grill og brakett	11,1 kg
Forsendelsesvekt	13 kg
Utendørs	Egnet for bruk på våte steder IP55 i henhold til IEC 60529, 2019

Viktig informasjon om montering

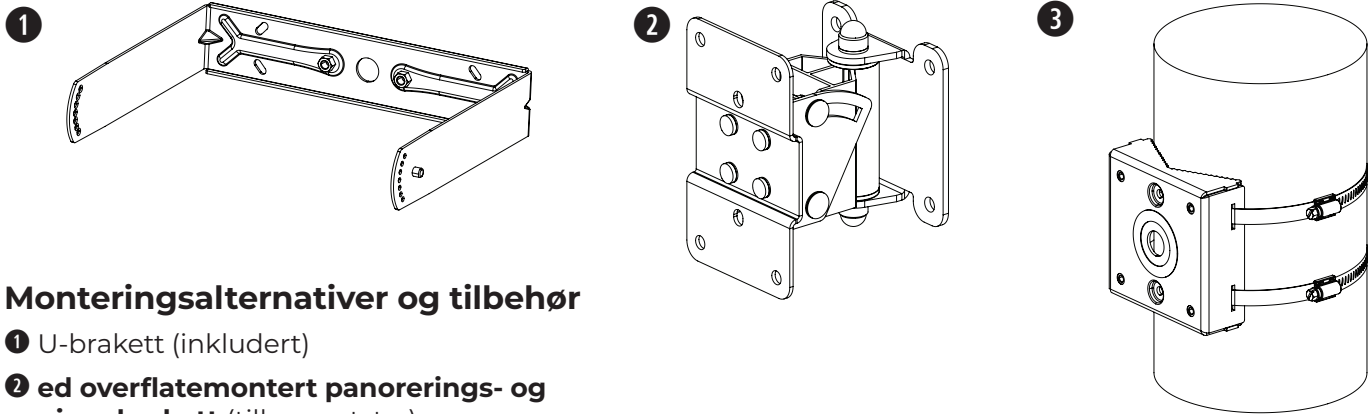


Før du monterer høytaleren, må du se gjennom **Viktige sikkerhetsinstruksjoner** på side 2.



For **generelle bruksområder for lydinstallasjon**, miljøvurdert IP55 i henhold til EN60529.

Monteringsalternativer



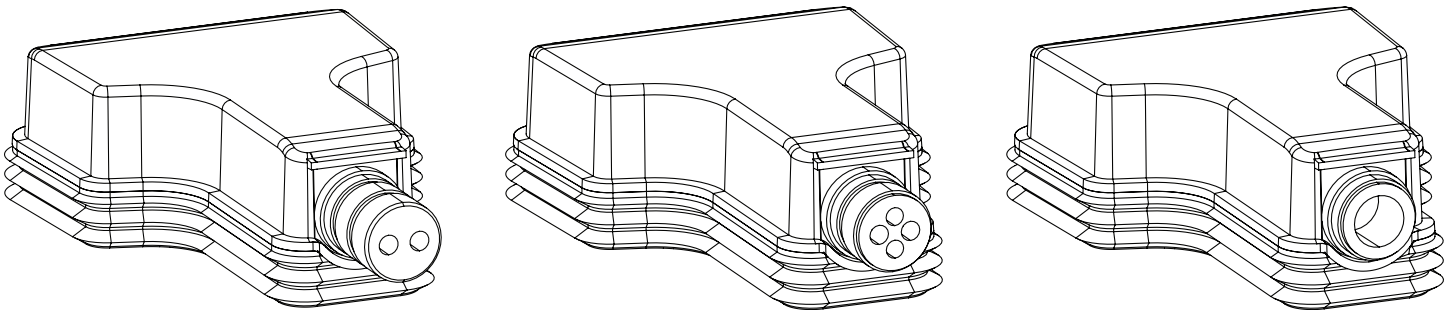
Monteringsalternativer og tilbehør

- ❶ U-brakett (inkludert)
- ❷ ed overflatemontert panorerings- og vippebrakett (tilleggsutstyr)
- ❸ Stangmonteringsbrakett (tilleggsutstyr)

Enkel inngang

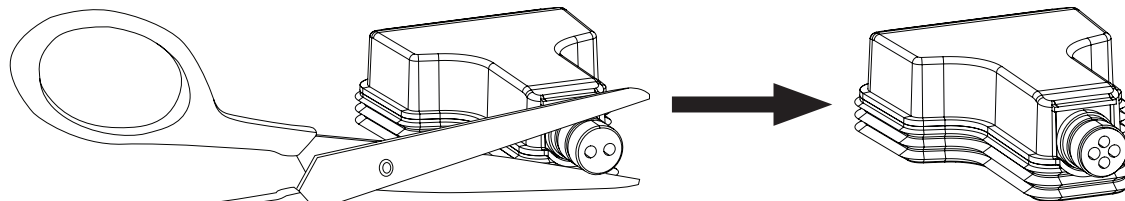
Inngang og utgang

Helt åpen

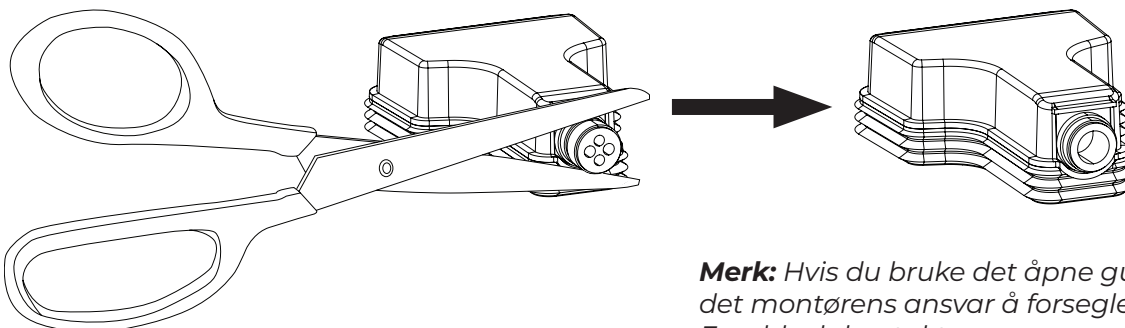


Klargjøre det værbestandige trekket til inngangen

Det værbestandige trekket til inngangen er utformet for tre forskjellige ledningsoppsett (se ovenfor). Hvis du vil endre oppsettet av trekket til inngangen for å støtte ledningsoppsettet ditt, kan du skjære langs perforeringen på gummirøret.



Merk: Hvis du installerer høyttaleren med gummirøret vendt oppover, er det montørens ansvar å forsegle mot vanninntrenging i Euroblock-kontakten.



Merk: Hvis du bruke det åpne gummirøroppsettet, er det montørens ansvar å forsegle mot vanninntrenging i Euroblock-kontakten.

Kable høyttaleren

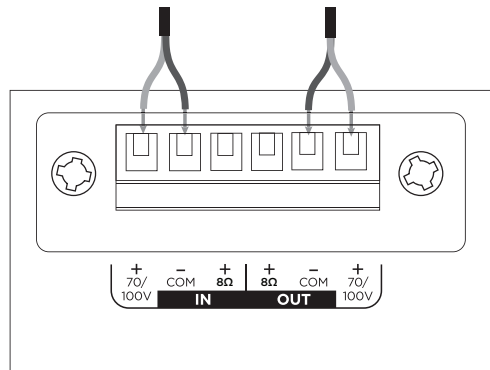
Kabeldiameter

DesignMax DM8SE-høyttaleren er utformet for å fungere kun med kabler på mellom 18 AWG (0,8 mm²) til 14 AWG (2,1 mm²).

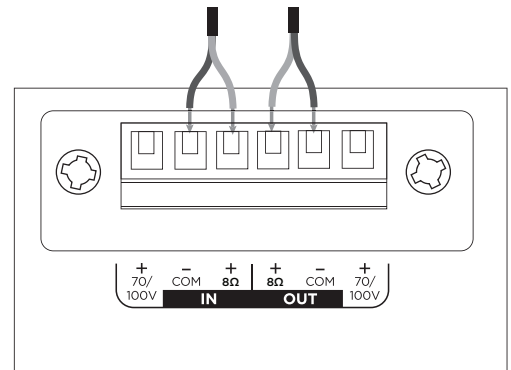
Koblingsdiagrammer

Eksponer seks millimeter (¼-tommer) av ledningen for å feste til terminalene.

Merk: Høyttaleren er ikke sertifisert for bruk med et stivt rør. Høyttaleren passer kun med et fleksibelt rør- eller en ledningskobling.

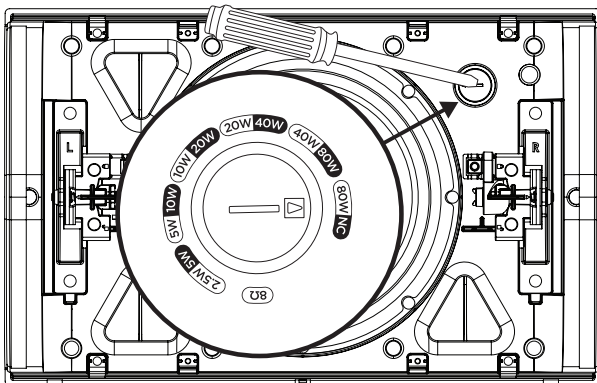


70/100 V



8Ω

Høyttalerinnstillinger



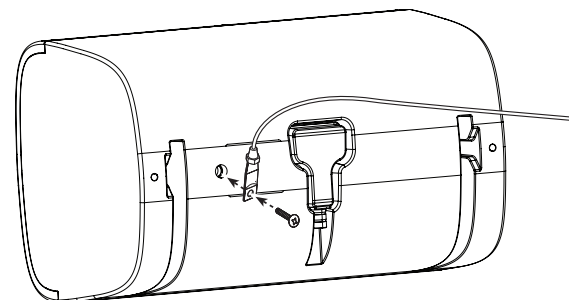
70 V						8Ω
2,5 W	5 W	10 W	20 W	40 W	80 W*	
5 W	10 W	20 W	40 W	80 W	NC**	
100 V						

* Fabrikstandard

** NC: Ingen tilkobling (ikke bruk)

Innstilling av omformerkontakt

Vri for å stille inn kontakten. Bruk en skrutrekker med flatt hode.



Bruke en sikkerhetskabel

Noen regionale byggeforskrifter krever at du sikrer høyttalerne ytterligere ved hjelp av en sekundær sikringsmetode. Velg monteringssted, -metode- og -utstyr som samsvarer med lokale byggeforskrifter og bestemmelser.

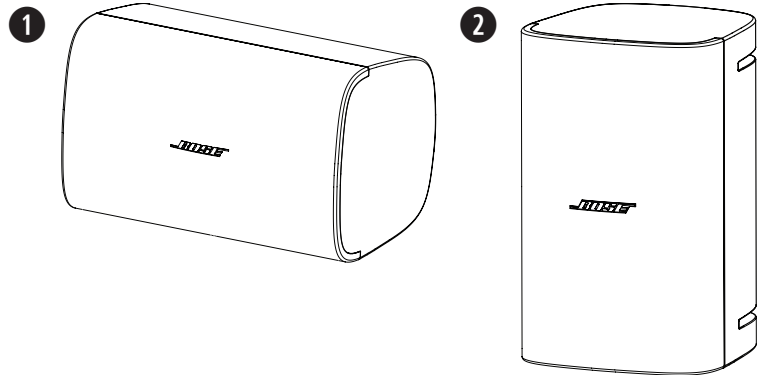
En sikkerhetskabel kan festes til høyttaleren ved å bruke låsgjengen bak på høyttaleren.

Låsgjengen kan brukes med en M8-skrue (ikke inkludert) med en dybde på 20 millimeter (0,79 tommer).

Høytalerretning

Velg høytalerretningen som passer best til monteringen din.

- ❶ Horisontal
- ❷ Vertikal



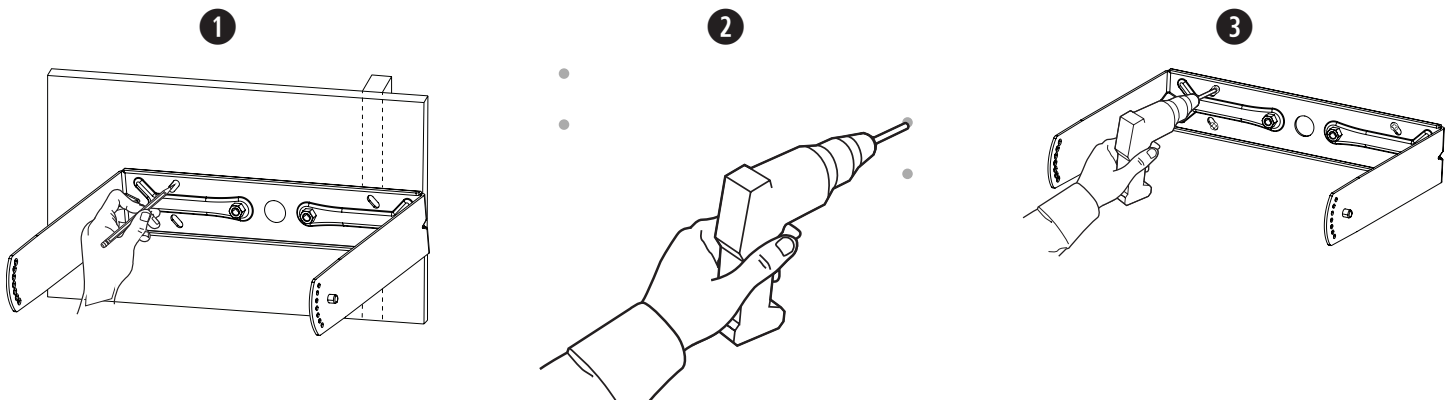
Merk: Montering på steder hvor høyttaleren kan komme i kontakt med matolje, for eksempel på storkjøkken, kan redusere ytelsen eller funksjonaliteten til høyttaleren.

Montere braketten

Merk: Når du velger monteringssted, må minst to av festepunktene til monteringsbraketten være festet til en støttestruktur. Festepunkter som ikke er festet til en støttestruktur, må festes med bruk av egnet jernvare til monteringen. Velg festeanordninger som samsvarer med alle lokale byggeforskrifter og krav.

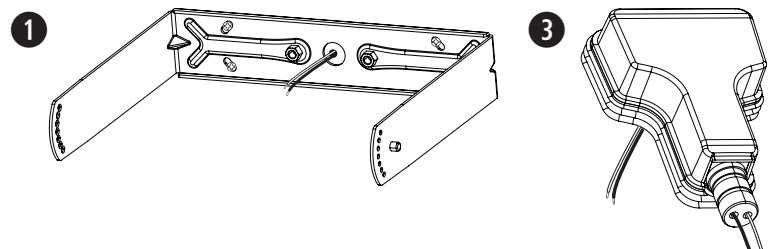
Merk: Velg egnede festeanordninger som støtter vekten til høyttalerne (11,1 kg).

1. Marker borehull.
2. Bor fire hull (i egnet størrelse for festeanordninger) i veggen.
3. Fest braketten til veggen med fire skruer (ikke inkludert). **Merk:** Bruk M6-skruer eller 1/4-tommers skruer.



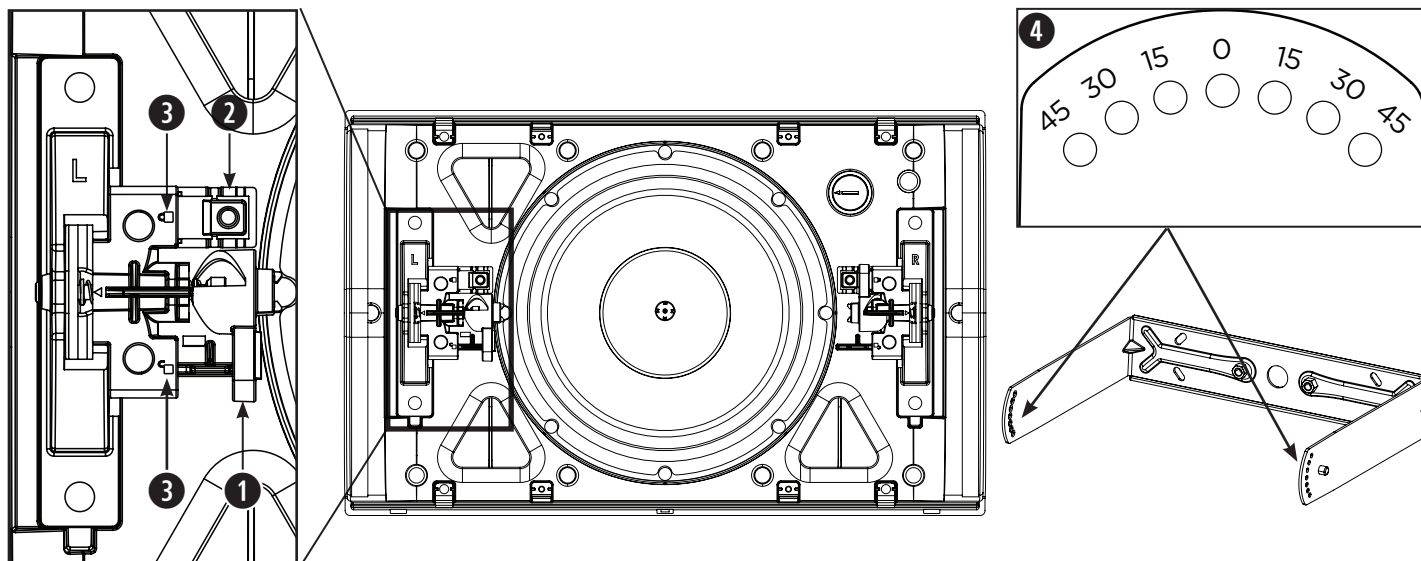
Føre ledninger til kontakten

1. Trekk ledningene gjennom hullet i midten av braketten.
2. Fjern kontakten fra høyttaleren.
3. Hvis du bruker det værbestandige trekket til inngangen, setter du ledningene gjennom bunnen av trekket til inngangen. Se **Klargjøre det værbestandige trekket til inngangen** på side page 46.
4. Sett ledningene i kontakten. Hvis du vil ha mer informasjon om kabling, kan du se **Kable høyttaleren** på side page 47.



Viktig informasjon om montering

- 1 **Låsespaker:** Brukes til å feste høyttaleren til monteringsbraketten. Trykk spakene mot låsepinnene for å låse. Trykk spakene bort fra låsepinnene for å låse opp.
- 2 **Låsepinner:** Trykk pinnene ned for å låse opp spakene.
- 3 **Låseindikatorer:** Finn låseretningen.
- 4 **Retningsmerker (på brakett):** Finn retningsvinkelen du foretrekker.



Montering av høyttaleren

Merk: Høyttaleren leveres med låsespaker teipet ned. Fjern teipen før montering.

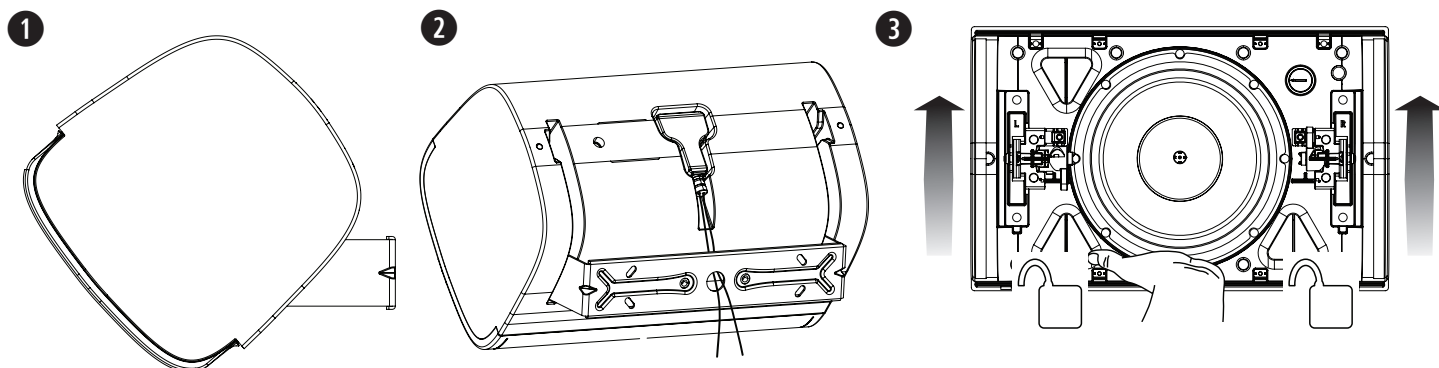
1. Fest høyttaleren til braketten, juster høyttaleren 45°, og lås spakene på plass.
2. Fest den tilkoblede kontakten til høyttaleren.
3. Lås opp spakene og juster høyttaleren i retningen du foretrekker. Pass på at du støtter den tunge høyttaleren mens du justerer høyttallerretningen.

Merk: Retningen til høyttaleren kan justeres til 0°, 15°, 30° eller 45°.

4. Lås spakene på plass.



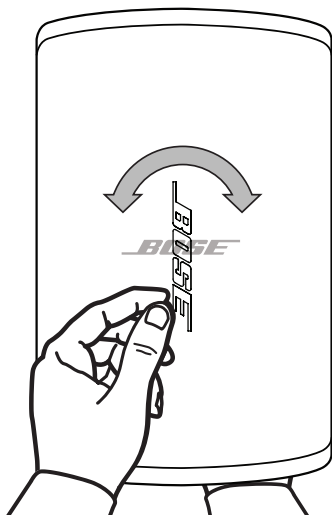
ADVARSEL: Hvis du ikke trykker ned spakene i låseposisjon som anvist, kan høyttaleren falle ned og forårsake skade på eiendom, alvorlige skader eller dødsfall. Det er montørens ansvar å sikre at monteringssystemet er installert i henhold til instruksjonene.



Justere logoen

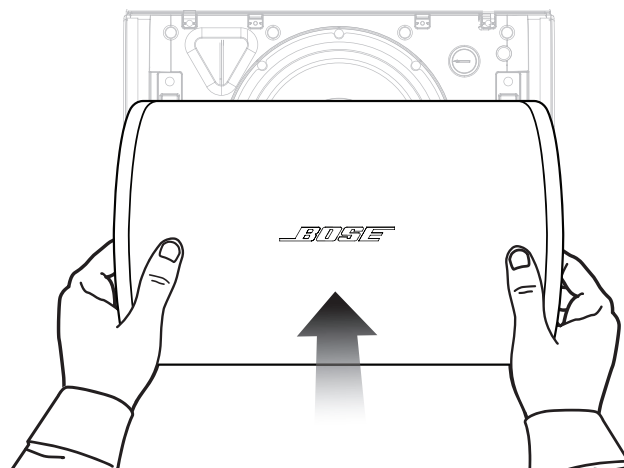
Du kan rotere Bose-logoen for å samsvare med høyttalerens retning. Trykk på knappen bak på grillen med én hånd. Roter logoen med den andre hånden. Logoen kan roteres med klokken eller mot klokken.

Merk: Ikke knip knappen innover hvis du ikke vil fjerne logoen.



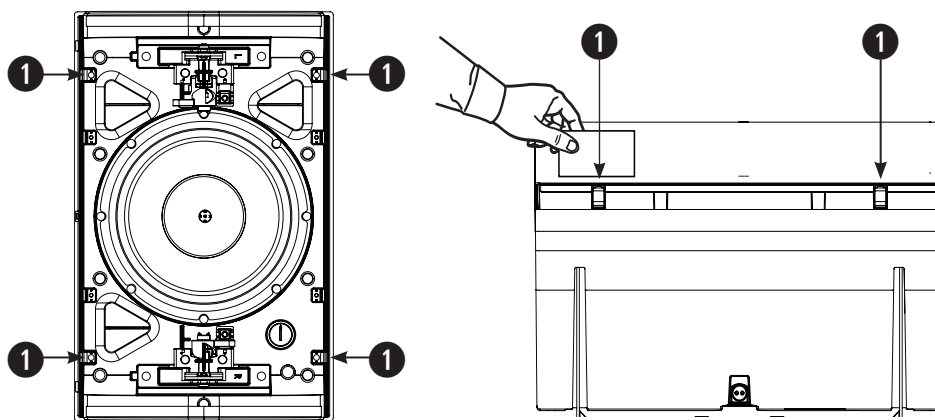
Feste grillen

Plasser grillen over fronten til høyttaleren, og dytt den godt inn til den klikkes på plass.



Fjerne grillen

Det er fire små åpninger på hvert hjørne av grillen (1). Langs siden av høyttaleren setter du inn et lite, flatt redskap i grillåpningene for å koble fra utløsningstappene. Dra grillen bort fra høyttaleren.



Samsvar med sikkerhet og forskrifter

DesignMax DM8SE-høyttaleren har bestått tester og samsvarer med følgende spesifikasjoner og bruksområder

Oppført i ANSI/UL 1480A-2016, høyttalere for profesjonell kommersiell bruk og sikkerhetsformål

Generell bruk – UL-kategori UEAY/UEAY7, filnummer S36835

Egnet for bruk på våte steder – IP55 i henhold til IEC 60529, 2019

DesignMax DM8SE passer til utendørsbruk i våte områder

Kan brukes til montering ved hjelp av kablingsmetoder i klasse 1, klasse 2 eller klasse 3, i samsvar med NFPA 70, National Electrical Code, 2017, artikkel 640

DesignMax DM8SE-høyttaleren er utformet i henhold til kravene som er definert i følgende europeiske forskrifter for kombinasjonssystemer:

Testet i samsvar med IEC60268-5, 2007

Należy zapoznać się ze wszystkimi zaleceniami dotyczącymi bezpieczeństwa oraz instrukcjami użytkowania i zachować je.

Instalację niniejszego produktu może przeprowadzić wyłącznie specjalista!

Niniejszy dokument ma na celu dostarczenie profesjonalnym instalatorom podstawowych wskazówek dotyczących instalacji i bezpieczeństwa tego produktu w typowych, stałych instalacjach. Przed przystąpieniem do instalacji należy zapoznać się z niniejszym dokumentem i wszystkimi ostrzeżeniami dotyczącymi bezpieczeństwa.

Nie wolno serwisować urządzenia samodzielnie. Wszystkie czynności serwisowe muszą być wykonywane przez pracowników autoryzowanych centrów serwisowych, autoryzowanych instalatorów, techników, sprzedawców lub dystrybutorów. Aby skontaktować się z firmą Bose Professional, ze sprzedawcą bądź dystrybutorem w okolicy, odwiedź stronę **BoseProfessional.com**.

- Należy przeczytać instrukcję.
- Należy zachować instrukcje.
- Należy stosować się do wszystkich ostrzeżeń.
- Należy postępować zgodnie z instrukcjami.
- Nie wolno blokować otworów wentylacyjnych. Urządzenie należy zainstalować zgodnie z zaleceniami producenta.
- Nie wolno instalować urządzenia w pobliżu źródeł ciepła, takich jak kaloryfery, przewody kominowe, piece lub inne urządzenia wydzielające ciepło (np. wzmacniacze).
- Należy korzystać wyłącznie z dodatków i akcesoriów określonych przez producenta.



OSTRZEŻENIA/PRZESTROGI



Produkt zawiera elementy magnetyczne. Aby dowiedzieć się, czy mogą one mieć wpływ na funkcjonowanie implantów medycznych, należy skonsultować się z lekarzem.

- Instalator musi korzystać z rusztowania, które ma wystarczającą odporność na działanie wiatru i spełnia obowiązujące przepisy i normy.
- Wszystkie produkty Bose Professional muszą być instalowane zgodnie z przepisami lokalnymi, krajowymi, federalnymi i branżowymi. Instalator jest zobowiązany zainstalować głośniki i system montażowy zgodnie ze wszystkimi obowiązującymi regulaminami, w tym regulaminami i przepisami obowiązującymi w budynku. Przed instalacją produktu należy skonsultować się z odpowiednimi władzami.
- Niniejszy produkt nie jest przeznaczony do instalacji ani stosowania w pomieszczeniach mających stały kontakt z wodą (w tym m.in. basenach wewnętrznych, parkach wodnych, pomieszczeniach z jacuzzi, saunach, łaźniach parowych i lodowiskach).
- Niebezpieczny montaż lub podwieszenie ciężkiego ładunku może spowodować poważne obrażenia lub śmierć oraz uszkodzenie mienia. Do obowiązków instalatora należy ocena niezawodności każdej metody montażu stosowanej w tym przypadku. Montaż podwieszanych głośników może być przeprowadzany wyłącznie przez profesjonalnych instalatorów posiadających wiedzę o odpowiednim sprzęcie i bezpiecznych technikach montażu.
- Nie montować na powierzchniach niewystarczająco solidnych lub stwarzających zagrożenia związane z instalacją elektryczną lub hydrauliczną. W przypadku wątpliwości związanych z montażem uchwytu skontaktować się z wykwalifikowanym instalatorem. Upewnić się, że uchwyt został zamontowany zgodnie z lokalnymi przepisami budowlanymi.
- Należy używać wyłącznie sprzętu i akcesoriów dostarczonych lub określonych przez Bose Professional jako odpowiednie do głośników DesignMax DM8SE. Elementy mocujące głośnik do powierzchni montażowej nie są dołączone do zestawu. Informacje na temat zgodnych akcesoriów można znaleźć w arkuszu danych technicznych produktu pod adresem **BoseProfessional.com**.
- Produkt musi być umieszczony z dala od ognia i źródeł ciepła. Na urządzeniu lub w jego pobliżu nie należy umieszczać źródeł otwartego ognia, np. zapalonych świec.
- Nie wolno dokonywać modyfikacji produktu bez zezwolenia.
- Wspornik do montażu na ścianie DesignMax DM8SE jest przeznaczony wyłącznie do modelu DM8SE.
- Nie wolno narażać głośnika lub elementów montażowych na działanie substancji chemicznych, które nie zostały dopuszczone przez Bose Professional, w tym m.in. środków smarnych i czyszczących, środków do ochrony instalacji elektrycznych oraz innych rozpuszczalników na bazie węglowodorów. Narażenie na działanie takich substancji może prowadzić do degradacji materiałów plastikowych, a w rezultacie do pęknięcia i stworzenia zagrożenia upadkiem.
- Głośniki należy czyścić wyłącznie suchą szmatką. Nie należy wystawiać głośnika na działanie mydła, detergentów, oleju mineralnego, alkoholu ani innych środków czyszczących lub chemikaliów.
- Unikać dotykania niezaisolowanych przewodów lub zacisków. Zaciski w tym urządzeniu przewodzą napięcie mogące powodować dyskomfort przy dotyku.

Klasyfikacja produktu:

Napięcie wejściowe: 70 V / 100 V

Impedancja: 8 Ω, 125 W

Prąd lub moc: (70 V): 2,5 W, 5 W, 10 W, 20 W, 40 W, 80 W; (100 V): 5 W, 10 W, 20 W, 40 W, 80 W

Informacje prawne



Ten produkt jest zgodny ze wszystkimi obowiązującymi wymaganiami dyrektyw UE. Pełna treść Deklaracji zgodności jest dostępna na stronie dotyczącej produktu:

BoseProfessional.com



Ten symbol oznacza, że produktu nie należy wyrzucać razem z innymi odpadkami z gospodarstwa domowego. Produkt należy dostarczyć do odpowiedniego miejsca zbiórki w celu recyklingu. Właściwy sposób utylizacji i recyklingu pomaga chronić zasoby naturalne, ludzkie zdrowie i środowisko naturalne. Aby uzyskać więcej informacji na temat utylizacji i recyklingu tego produktu, skontaktuj się z samorządem lokalnym, w zakładzie utylizacji odpadów albo w sklepie, w którym produkt został nabyty.

Tabela substancji szkodliwych (ograniczenia obowiązujące w Chinach)

Nazwa części	Nazwy i zawartość toksycznych lub szkodliwych substancji albo pierwiastków					
	Ołów (Pb)	Rtęć (Hg)	Kadm (Cd)	Chrom sześciowartościowy (Cr(VI))	Polibromowany bifenylny (PBB)	Polibromowany difenyloeter (PBDE)
Pochlorowane bifenylny (PCB)	X	O	O	O	O	O
Części metalowe	X	O	O	O	O	O
Części z tworzyw sztucznych	O	O	O	O	O	O
Głośniki	X	O	O	O	O	O
Przewody	X	O	O	O	O	O

Tę tabelę przygotowano zgodnie z wymaganiami normy SJ/T 11364.
 O: oznacza, że zawartość danej substancji toksycznej lub szkodliwej we wszystkich materiałach jednorodnych, użytych w tej części, nie przekracza limitu określonego w normie GB/T 26572.
 X: oznacza, że dana substancja toksyczna lub szkodliwa zawarta w co najmniej jednym z jednorodnych materiałów użytych w tej części przekracza limit określony w normie GB/T 26572.



Tabela substancji szkodliwych (ograniczenia obowiązujące na Tajwanie)

Jednostka	Nazwa urządzenia: DesignMax DM8SE, oznaczenie typu: 892116					
	Ołów (Pb)	Rtęć (Hg)	Kadm (Cd)	Chrom sześciowartościowy (Cr+6)	Polibromowany bifenylny (PBB)	Polibromowany difenyloeter (PBDE)
Pochlorowane bifenylny (PCB)	-	o	o	o	o	o
Części metalowe	-	o	o	o	o	o
Części z tworzyw sztucznych	o	o	o	o	o	o
Głośniki	-	o	o	o	o	o
Przewody	-	o	o	o	o	o

Uwaga 1: symbol „o” oznacza, że zawartość procentowa substancji objętej ograniczeniem nie przekracza wartości referencyjnej.
 Uwaga 2: symbol „-” oznacza, że do substancji objętej ograniczeniem zastosowanie ma wyłączenie.

Data produkcji: ósma cyfra numeru seryjnego oznacza rok produkcji, np. cyfra „7” oznacza rok 2007 lub 2017.

Importer — UE: Transom Post Netherlands B.V., Keizersgracht 391A, 1016 EJ, Amsterdam | **Importer — Wielka Brytania:** Transom Post Netherlands UK, Squires House 205a High Street, West Wickham, BR4 0PH | **Importer — Japonia:** Transom Post International Japan KK Co., Ltd. PMO Tamachi IV Shiba5-29-19, Minato-ku, Tokio | **Importer — Australia:** Transom Post Australia Pty. Ltd., Level 14, 60 Margaret Street, Sydney, NSW 2000 | **Importer — Chiny:** Transom Post (Shanghai Audio Co. Ltd Room 2209, Building 1, 175 Longyao Road, Xuhui District, Shanghai | **Importer — Meksyk:** POST INTL MEXICO, S. DE R.L. DE C.V. Insurgentes Sur No. 1079, 1st floor, Colonia Noche Buena, Benito Juárez, C.P. 03270, Meksyk | **Importer — ZEA:** 102 A, Sama Tower Sheikh Zayed Road, Dubaj, ZEA

Bose jest znakiem towarowym firmy Bose Corporation.

DesignMax jest znakiem towarowym Transom Post OpCo LLC.

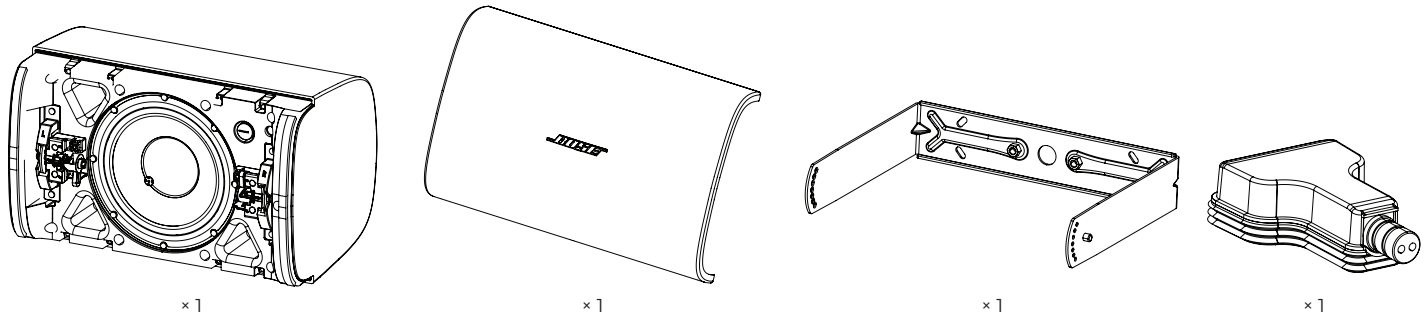
Bose Professional, 117 South St, Hopkinton, MA 01748 Stany Zjednoczone

©2024 Transom Post OpCo LLC. Żadnej części tego dzieła nie wolno reprodukować, modyfikować, rozpowszechniać ani w inny sposób wykorzystywać bez uprzedniego uzyskania pisemnego pozwolenia.

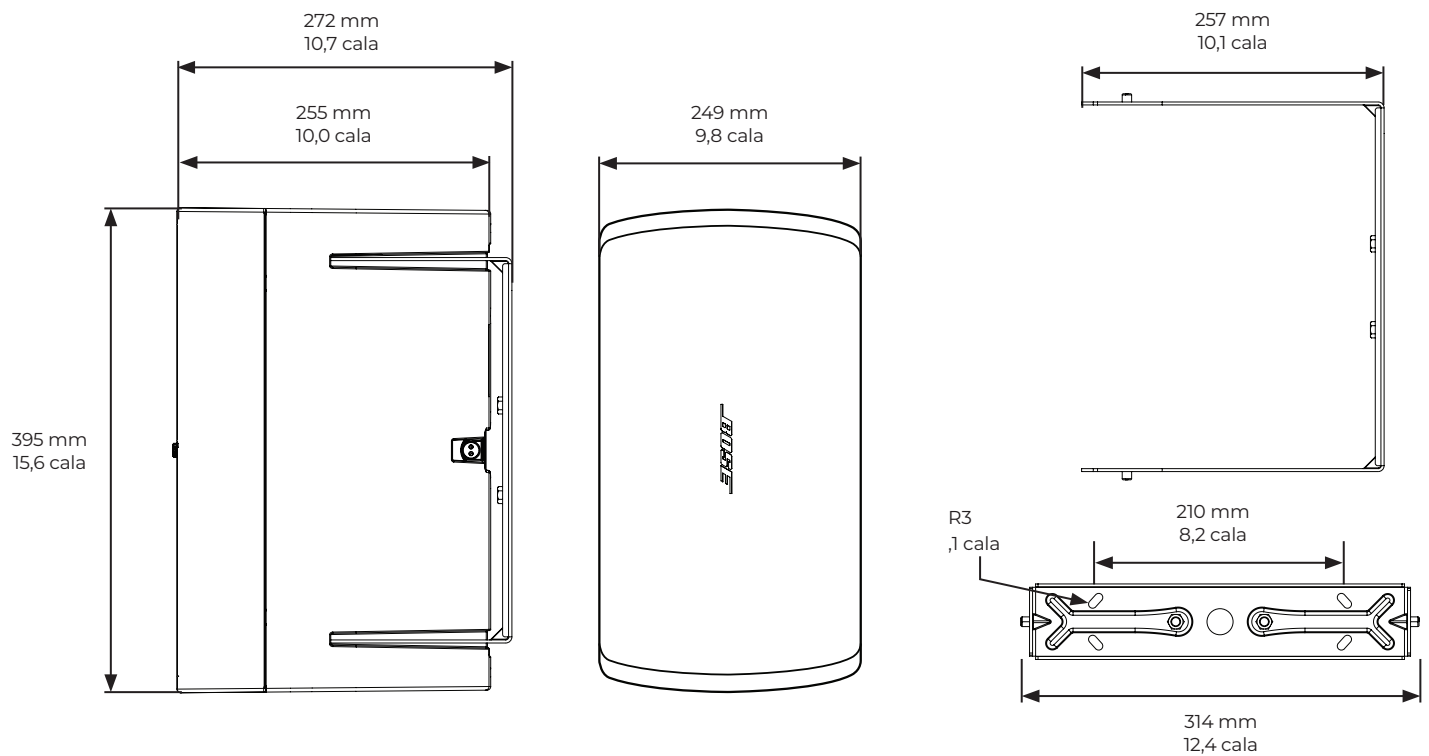
Informacje o gwarancji

Opisywany produkt objęty jest ograniczoną gwarancją. Więcej informacji o gwarancji można znaleźć na stronie **BoseProfessional.com/Warranty**.

Zawartość opakowania



Wymiary produktu



Dane techniczne

Dodatkowe dane techniczne można znaleźć w arkuszu danych technicznych DesignMax DM8SE na stronie BoseProfessional.com.

Fizyczne	
Waga netto — głośnik z osłoną i wspornikiem	11,1 kg (24,5 funtów)
Waga przesyłki	13 kg (28,5 funtów)
Otoczenie	Nadaje się do użytku w wilgotnych miejscach IP55 zgodnie z IEC 60529, 2019

Ważne informacje dotyczące instalacji

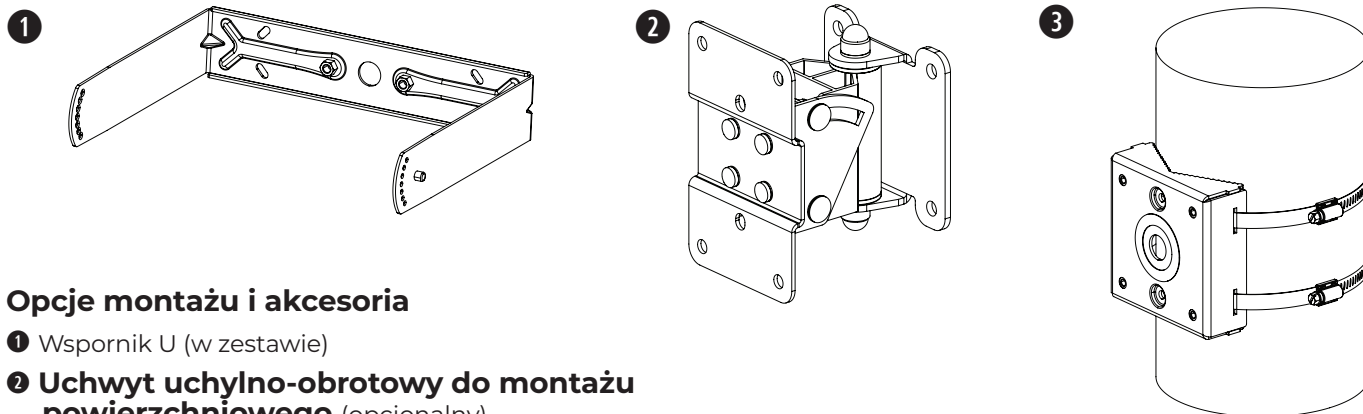


Przed rozpoczęciem montażu głośnika zapoznaj się z **Ważnymi zaleceniami dotyczącymi bezpieczeństwa** znajdującymi się na stronie 2.



Do **ogólnych zastosowań w instalacjach audio**, klasa ochrony IP55 zgodnie z normą EN60529.

Opcje montażu



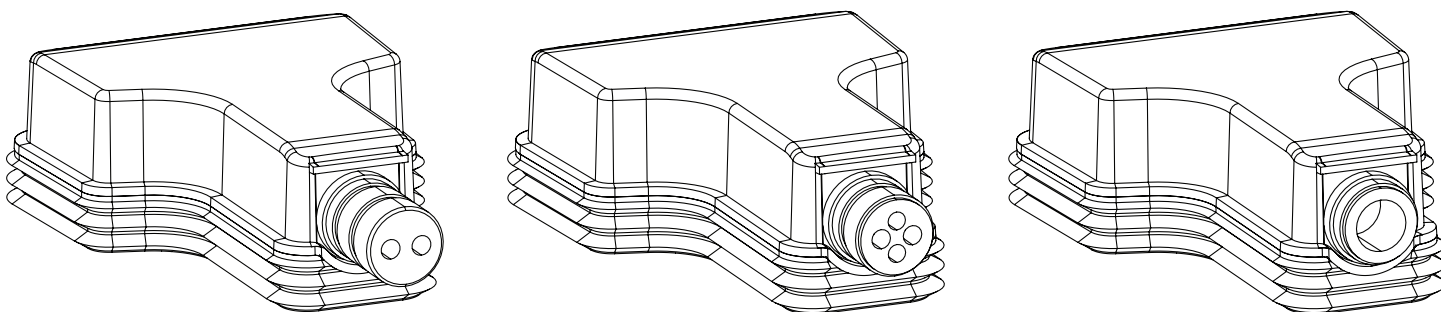
Opcje montażu i akcesoria

- ❶ Wspornik U (w zestawie)
- ❷ Uchwyt uchylno-obrotowy do montażu powierzchniowego (opcjonalny)
- ❸ Uchwyt do mocowania na słupie (opcjonalny)

Jedno wejście

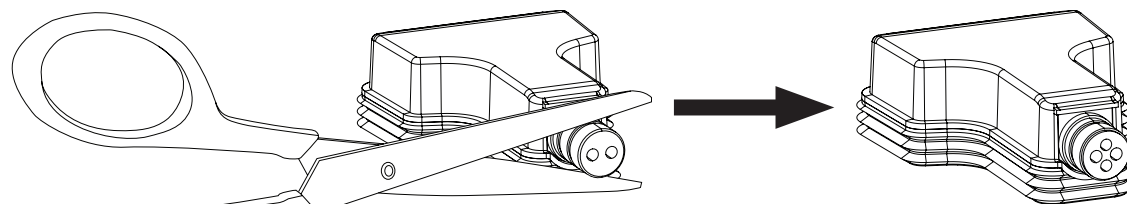
Wejście i wyjście

Całkowicie otwarta

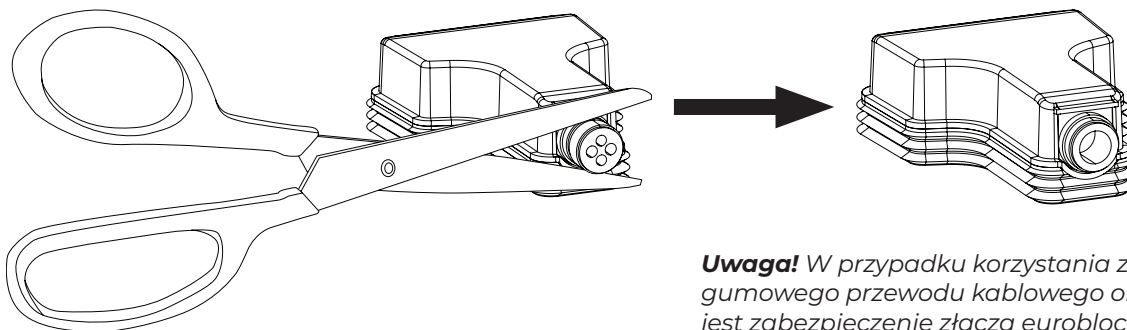


Przygotowywanie osłony wejść chroniącej przed warunkami pogodowymi

Osłona wejść chroniąca przed działaniem warunków pogodowych jest przystosowana do trzech różnych konfiguracji okablowania (patrz powyżej). Aby zmienić konfigurację osłony wejść i dopasować ją do pożądanego układu, odetnij końcówkę gumowego przewodu kablowego zgodnie z dziurkowaniem.



Uwaga! W przypadku instalacji głośnika z gumowym przegubem kablowym skierowanym do góry obowiązkiem montera jest zabezpieczenie złącza euroblock przed dostawaniem się do niego wody.



Uwaga! W przypadku korzystania z otwartej konfiguracji gumowego przewodu kablowego obowiązkiem instalatora jest zabezpieczenie złącza euroblock przed dostawaniem się do niego wody.

Okablowanie głośnika

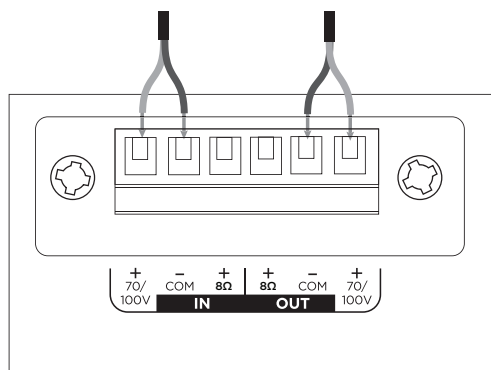
Grubość przewodu

Do montażu DesignMax DM8SE należy stosować wyłącznie przewody o rozmiarze od 18 AWG (0,8 mm²) do 14 AWG (2,1 mm²).

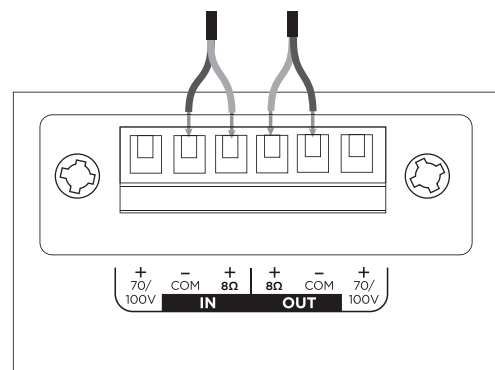
Schematy połączeń

Odstąpić sześć milimetrów (¼ cala) nieizolowanego przewodu, aby podłączyć go do zacisków.

Uwaga! Głośnik nie jest przeznaczony do użytku ze sztywnym kanałem kablowym. Głośnik może być podłączany wyłącznie do elastycznego kanału kablowego lub okablowania.

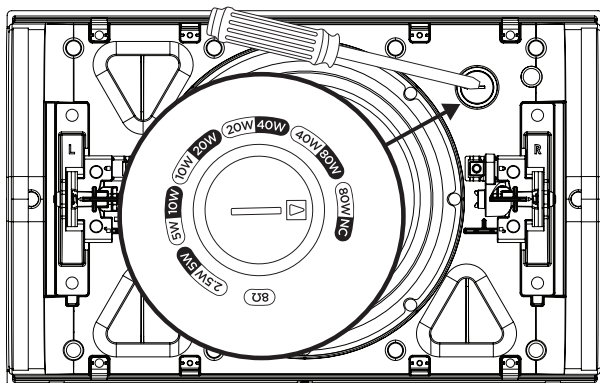


70 V / 100 V



8 Ω

Ustawienia głośnika



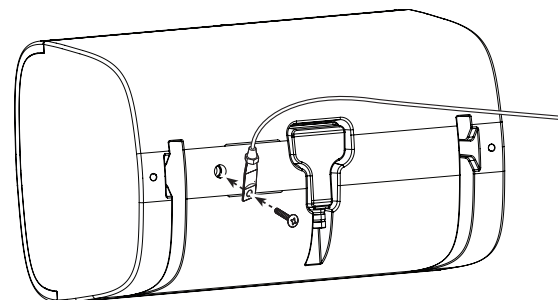
70 V						8 Ω
2,5 W	5 W	10 W	20 W	40 W	80 W*	
5 W	10 W	20 W	40 W	80 W	NC**	
100 V						

* Ustawienia fabryczne

** NC — brak połączenia (nie używać)

Ustawienie gwintownika transformatora

Ustaw gwintownik, obracając go. Użyj płaskiego śrubokrętu.



Korzystanie z linki zabezpieczającej

Niektóre regionalne przepisy budowlane wymagają zastosowania dodatkowej metody zabezpieczenia głośników w celu zapewnienia dodatkowego bezpieczeństwa. Pozycja, sposób i elementy montażu muszą być zgodne z lokalnymi normami i przepisami budowlanymi.

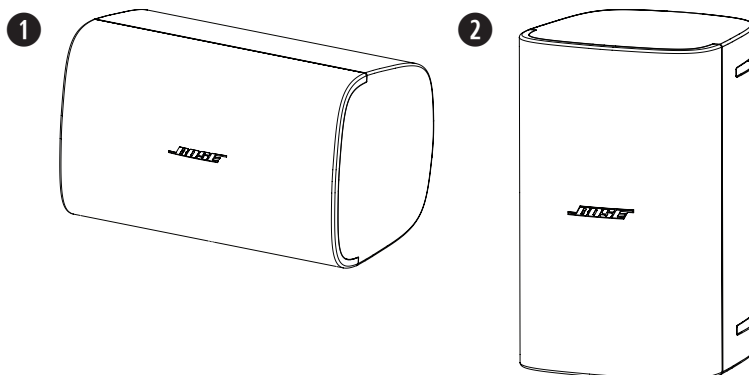
Linkę zabezpieczającą można przymocować do głośnika za pomocą gwintowanej wkładki z tyłu obudowy.

Wkładka jest przystosowana do śrub M8 (które nie są dołączone do zestawu) o głębokości 20 mm (0,79 cala).

Ustawienie głośnika

Wybrać ustawienie głośnika, które najlepiej pasuje do danej instalacji.

- ❶ Poziomo
- ❷ Pionowo



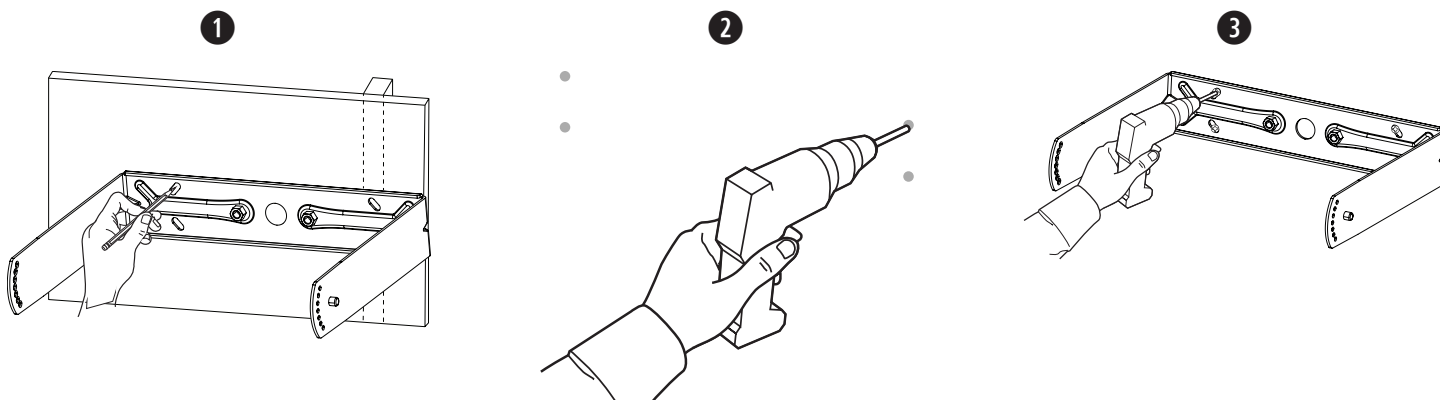
Uwaga! Montaż w pobliżu powierzchni służących do gotowania, gdzie głośnik może być bezpośrednio wystawiony na działanie olejów, np. w komercyjnych punktach przygotowywania posiłków, może obniżyć wydajność lub niezawodność głośnika.

Montaż wspornika

Uwaga! W miejscu montażu co najmniej dwa punkty mocowania wspornika montażowego muszą być przymocowane do konstrukcji nośnej. Punkty mocowania, które nie są przymocowane do konstrukcji nośnej, muszą zostać zabezpieczone przy użyciu odpowiednich śrub i nakrętek do montażu. Wybrane mocowania muszą być zgodne ze wszystkimi lokalnymi przepisami budowlanymi.

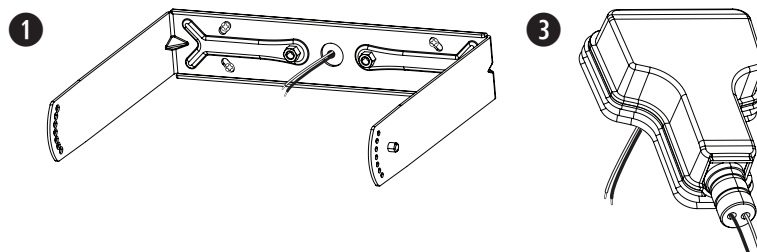
Uwaga! Należy wybrać odpowiednie mocowania, które utrzymają masę głośnika (11,1 kg).

1. Zaznaczyć otwory do wywiercenia.
2. Wywiercić w ścianie cztery otwory (o wielkości odpowiedniej do zamocowania).
3. Przymocować wspornik do ściany za pomocą cztery śrub (brak w zestawie). **Uwaga!** Należy użyć śrub M6 lub śrub o rozmiarze 1/4-cala.



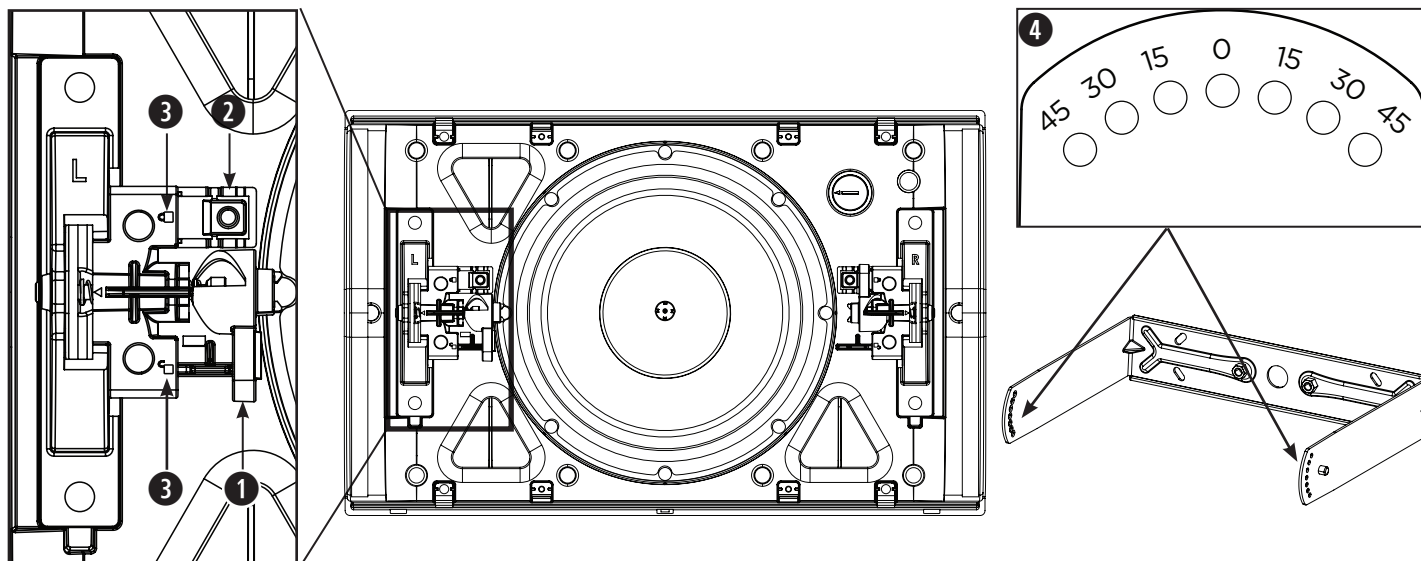
Podłączanie okablowania do złącza

1. Poprowadzić przewody przez środkowy otwór wspornika.
2. Zdjąć złącze z głośnika.
3. W przypadku korzystania z osłony wejść chroniącej przed działaniem warunków pogodowych należy przeprowadzić przewody przez otwór na dole osłony wejść. Zobacz **Przygotowywanie osłony wejść chroniącej przed warunkami pogodowymi** na stronie page 53.
4. Podłączyć przewody do złącza. Informacje na temat okablowania można znaleźć w sekcji **Podłączanie okablowania do głośnika** na stronie page 54.



Ważne informacje dotyczące montażu

- 1 **Dźwignie blokujące:** Służą do mocowania głośnika do wspornika montażowego. Popchnij dźwignie w kierunku sworzni blokujących, aby je zablokować; odsuń dźwignie od sworzni blokujących, aby je odblokować.
- 2 **Sworznie blokujące:** Naciśnij sworznie w dół, aby odblokować dźwignie.
- 3 **Wskaźniki blokady:** Określ kierunek blokady.
- 4 **Oznaczenia kątów (na wsporniku):** Pozwalają określić wybrany kąt ustawienia.



Montaż głośnika

Uwaga! Głośnik jest dostarczany z zaklejonymi dźwigniami blokady. Przed montażem należy odkleić taśmy.

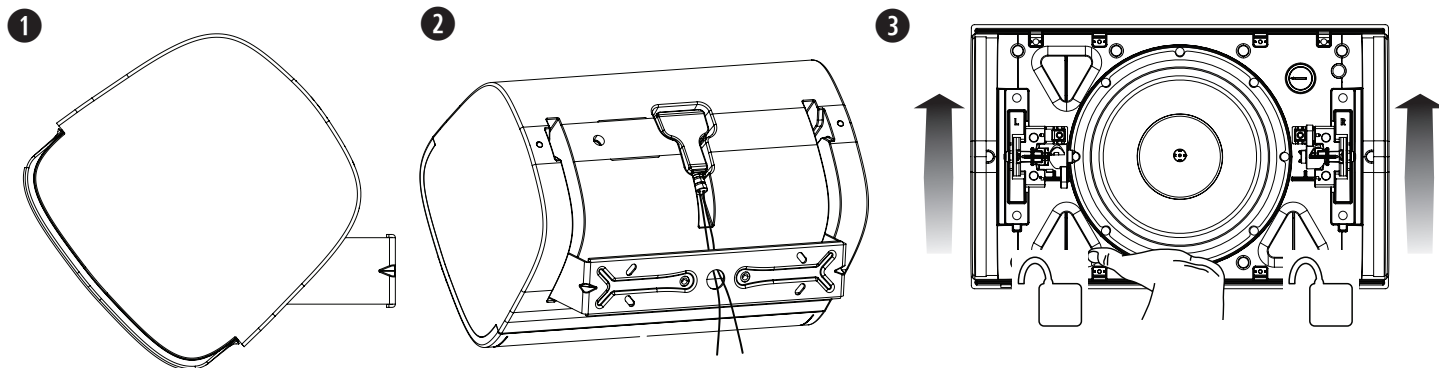
1. Przymocuj głośnik do wspornika, ustaw go pod kątem 45° i zablokuj dźwignie.
2. Podłącz złącze przewodowe do głośnika.
3. Odblokuj dźwignie i ustaw głośnik pod wybranym kątem. Podczas regulacji kąta nachylenia głośnika należy upewnić się, że utrzyma on ciężar głośnika.

Uwaga! kąt ustawienia głośnika można na ustawić na 0°, 15°, 30° lub 45°.

4. Zablokuj dźwignie.



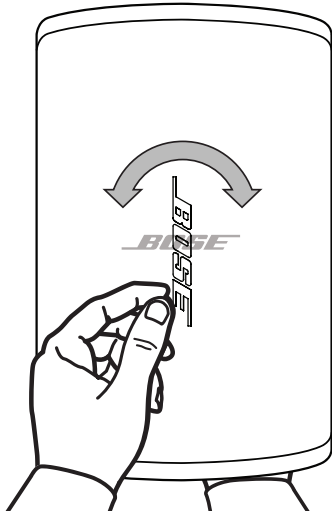
OSTRZEŻENIE! Niewpchnięcie dźwigni do pozycji blokady zgodnie z instrukcją może spowodować zagrożenie upadkiem, co może skutkować uszkodzeniem mienia, poważnymi obrażeniami lub śmiercią. Obowiązkiem instalatora jest upewnienie się, że system montażowy został zainstalowany zgodnie z instrukcją.



Dostosowywanie logo

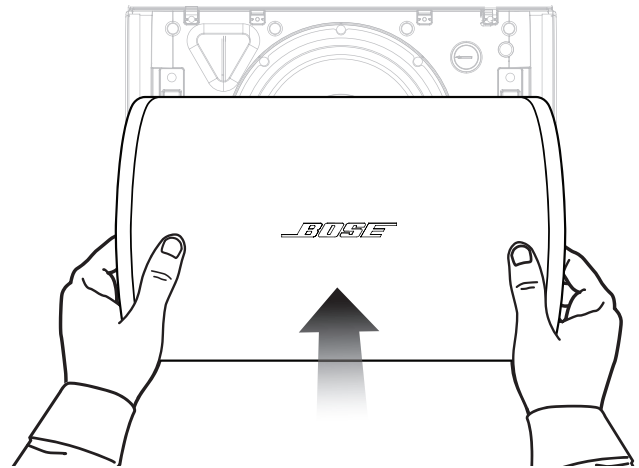
Logo Bose można obrócić, aby dopasować je do orientacji głośnika. Jedną ręką naciśnij przycisk z tyłu osłony. Drugą ręką obróć logo. Logo można obracać zarówno w prawą, jak i w lewą stronę.

Uwaga! Nie ściskaj przycisku do wewnątrz, chyba że zamierzasz zdjąć logo.



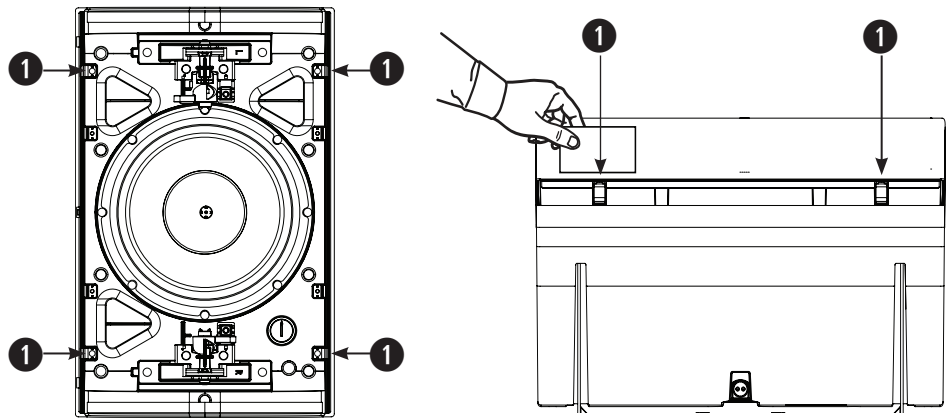
Mocowanie osłony głośnika

Umieść osłonę na przedniej części głośnika i dociśnij ją mocno, aż wskoczy na swoje miejsce.



Demontaż osłony

W każdym rogu osłony znajdują się cztery otwory (1). Wzdłuż boku głośnika włóż małe, płaskie narzędzie w otwory kratki, aby odblokować zaczepy. Pociągnij osłonę z dala od głośnika.



Informacje dotyczące bezpieczeństwa i zgodności

Głośnik DesignMax DM8SE przeszedł testy i jest zgodny z następującymi specyfikacjami i zastosowaniami:

Zgodność z normami ANSI/UL 1480A-2016, Głośniki do bezpiecznego użytku komercyjnego i specjalistycznego

Zastosowanie ogólne – kategoria UL UEAY/UEAY7, numer pliku S36835

Nadaje się do użytku w wilgotnych miejscach – IP55 zgodnie z IEC 60529, 2019

Głośnik DesignMax DM8SE nadaje się do użytku zewnętrznego w wilgotnym środowisku

Głośniki nadające się do instalacji przy użyciu okablowania klasy 1, 2 lub 3 zgodnie z normą NFPA 70, National Electric Code, 2017, art. 640

Głośnik DesignMax DM8SE został zaprojektowany zgodnie z wymaganiami określonymi w następujących europejskich przepisach dotyczących systemów łączonych:

Przetestowano zgodnie z normą IEC60268-5, 2007

请阅读并保留所有安全和使用说明。

本产品仅可由专业人员安装！本文档旨在为专业安装人员提供在典型的固定安装系统中安装本产品时适用的基本安装和安全指南。在安装之前，请先阅读本文档和所有安全警告。

请勿尝试自行维修此产品。所有维修服务必须由授权服务中心、安装人员、技术人员、经销商或分销商提供。要联系 Bose Professional 或查找您附近的经销商或分销商，请访问 BoseProfessional.com。

1. 请阅读这些说明。
2. 请保留这些说明。
3. 请注意所有警告。
4. 请遵守所有说明。
5. 请勿堵塞任何通风口。请按照制造商的说明进行安装。
6. 请勿安装在靠近任何热源的位置，例如暖气片、热调节装置、火炉或可产生热量的其他设备（包括功率放大器）。
7. 只能使用制造商指定的附件/配件。

警告/小心

本产品含有磁性材料。有关这是否会影响到您的植入式医疗器械，请咨询您的医生。

- 安装人员有责任使用具有足够抗风荷载强度的支撑系统，遵守适用的法规和标准。
- 所有 Bose Professional 产品的安装都必须遵守当地、州/省/市/自治区、联邦和行业规范。安装人员有责任确保扬声器和安装系统的安装都符合适用的法规，包括当地的建筑法规和规定。安装本产品前，请咨询拥有司法管辖权的当地监管机构。
- 此产品不适合在室内涉水设施区域安装或使用（包括但不限于室内游泳馆、室内水上乐园、有热水浴缸的房间、桑拿房、蒸汽浴室以及室内溜冰场）。
- 以不安全的方式登高安装或吊装任何重物可能导致严重的人身伤害、死亡或财产损失。安装人员有责任评估在其应用中所使用的任何安装方法的可靠性。只有正确了解硬件且掌握安全安装技术的专业安装人员才能尝试安装任何吊装式扬声器。
- 请勿将本产品安装在不结实或有潜在危险的表面，比如铺有电线或管道的地方。如果您不确定如何安装支架，请联系拥有相应资质的专业安装人员。安装支架时，确保遵守当地的建筑法规。
- 仅使用随附安装紧固件和附件或 Bose Professional 指定与 DesignMax DM8SE 扬声器配合使用的安装紧固件和附件。不提供用于将扬声器固定到安装表面的安装紧固件。有关兼容附件的信息，请参阅 BoseProfessional.com 上的产品技术参数表。
- 请将本产品放置到远离火源和热源的地方。请勿将明火火源（如点燃的蜡烛）置于本产品上或靠近本产品。
- 未经授权切勿改装本产品。
- DesignMax DM8SE 壁挂支架仅适用于 DM8SE 机型。
- 请勿将扬声器或安装组件接触 Bose Professional 未说明的任何化学物质，包括但不限于润滑剂、清洁剂、触点喷剂或其他烃类溶剂。接触此类物质可能会导致本产品的塑料材料老化，进而导致产品开裂和掉落。
- 只能使用干布清洁扬声器。请勿让扬声器接触肥皂、清洁剂、矿物油、酒精或其他清洁剂或化学品。
- 不要触摸未绝缘的接线或接线端子。本产品的音频接线端子上有电压，接触端子会导致不适。

产品额定值：

输入电压：70V/100V
 阻抗：8Ω, 125W
 电流或功率：(70V)：2.5W、5W、10W、20W、40W、80W；
 (100V)：5W、10W、20W、40W、80W

规范信息

本产品符合所有适用的欧盟指令要求。您可以从产品特定页面找到完整的合规声明：BoseProfessional.com



此符号表示不得将本产品作为生活垃圾丢弃，而应送到合适的回收站点进行回收。正确处理和回收有助于保护自然资源、人类健康和环境。想要获得更多关于此产品的处理和回收的信息，请联系当地市政当局、垃圾处理服务部门或您购买此产品的门店。

中国危险物质限量表

有毒或有害物质或元素的名称及成分						
有毒或有害物质和元素						
零件名称	铅 (Pb)	汞 (Hg)	镉 (Cd)	六价铬 (CR(VI))	多溴化联苯 (PBB)	多溴二苯醚 (PBDE)
印刷电路板	X	0	0	0	0	0
金属零件	X	0	0	0	0	0
塑料零件	0	0	0	0	0	0
扬声器	X	0	0	0	0	0
线缆	X	0	0	0	0	0

此表格依据 SJ/T 11364 的要求制定。
 0：表示此零件中所有均质材料所包含的此类有毒或有害物质均低于 GB/T 26572 中的限定要求。
 X：表示此零件所用全部均质材料中至少有一种包含的这种有毒或有害物质高于 GB/T 26572 标准的限定要求。

台湾危险物质限量表

设备名称：DesignMax DM8SE，机型名称：892116						
限用物质及其化学符号						
单位	铅 (Pb)	汞 (Hg)	镉 (Cd)	六价铬 (Cr+6)	多溴化联苯 (PBB)	多溴二苯醚 (PBDE)
印刷电路板	-	0	0	0	0	0
金属零件	-	0	0	0	0	0
塑料零件	0	0	0	0	0	0
扬声器	-	0	0	0	0	0
线缆	-	0	0	0	0	0

备注 1：“0”表示限用物质的百分比含量未超出参考值。
 备注 2：“-”表示限用物质符合豁免规定。

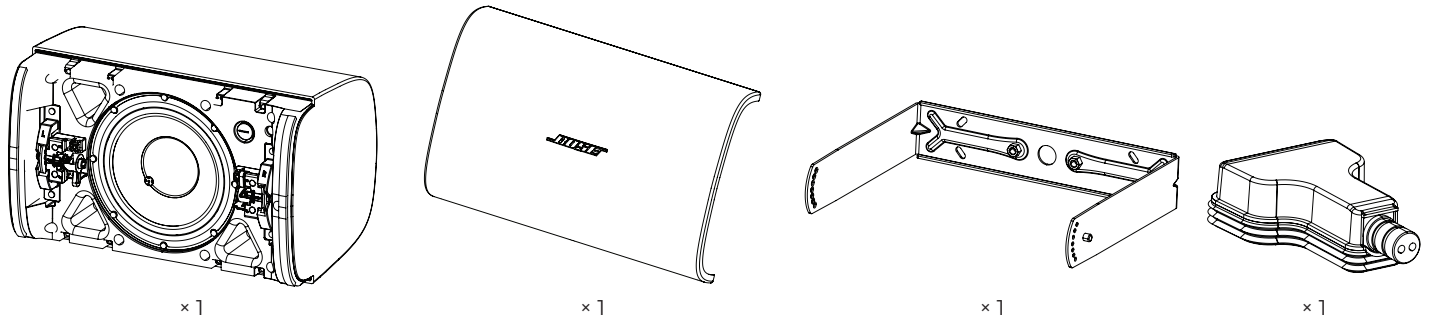
生产日期：序列号中第八位数字表示生产年份；“7”表示 2007 年或 2017 年。
欧洲进口商：Transom Post Netherlands B.V., Keizersgracht 391A, 1016 EJ, Amsterdam
英国进口商：Transom Post Netherlands UK, Squires House 205a High Street, West Wickham, BR4 0PH | **日本进口商：**Transom Post International Japan KK Co., Ltd. PMO Tamachii IV Shiba5-29-19, Minato-ku, Tokyo | **澳大利亚进口商：**Transom Post Australia Pty. Ltd., Level 14, 60 Margaret Street, Sydney, NSW 2000 | **中国进口商：**Transom Post (Shanghai) Audio Co. Ltd 上海市徐汇区龙耀路 175 号 1 号楼 2209 室 | **墨西哥进口商：**POST INTL MEXICO, S. DE R.L.DE C.V.Insurgentes Sur No. 1079, 1st floor, Colonia Noche Buena, Benito Juárez, C.P.03270, Mexico City | **阿联酋进口商：**102 A, Sama Tower Sheikh Zayed Road, Dubai UAE

Bose 是 Bose Corporation 的商标。
 DesignMax 是 Transom Post OpCo LLC 的商标。
 Bose Professional, 117 South St, Hopkinton, MA 01748 USA
 ©2024 Transom Post OpCo LLC 未经事先书面许可，不得复制、修改、分发或以其他方式使用本指南的任何部分。

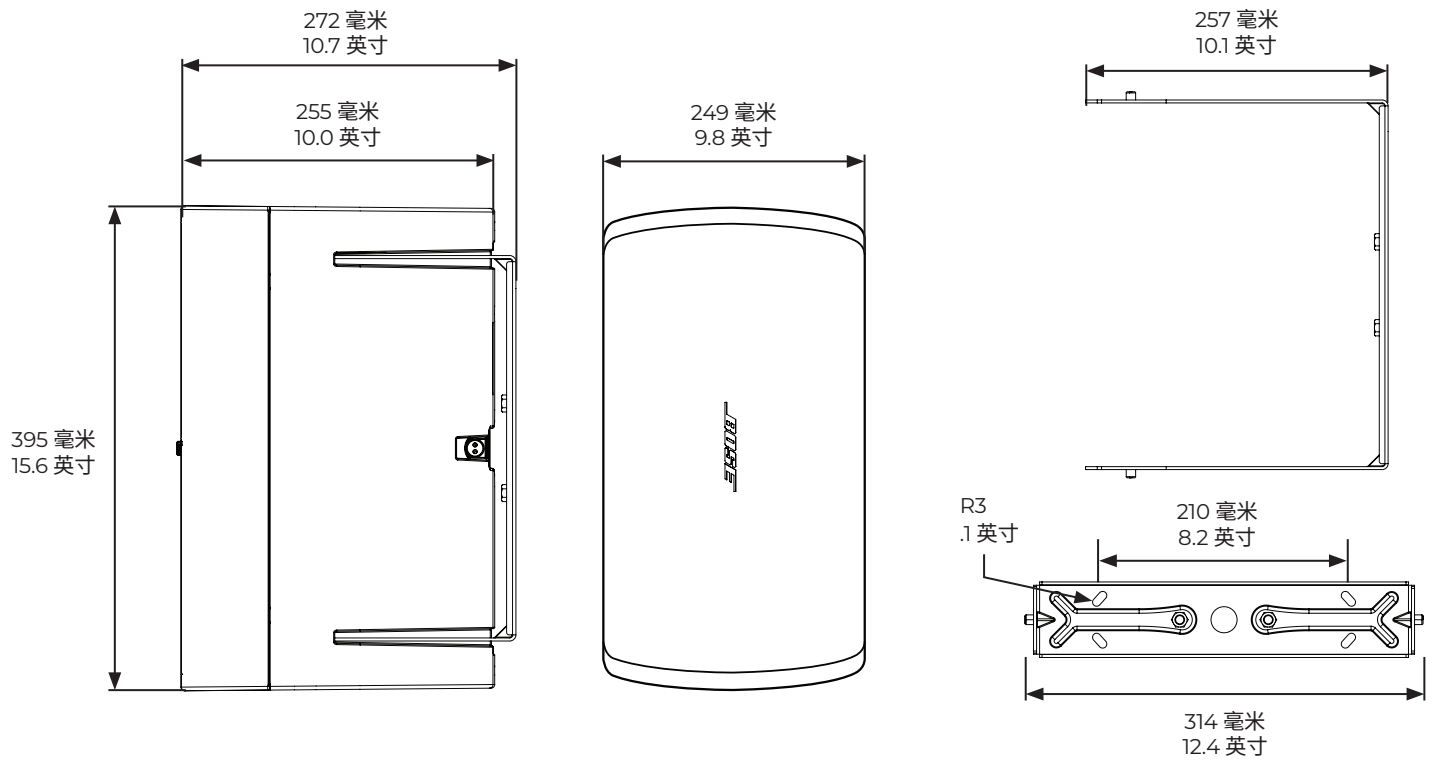
质保信息

本产品享受有限保修服务。
 有关质保详细信息，请访问 BoseProfessional.com/Warranty。

包装清单



产品尺寸



技术规格

有关其他规格, 请参阅 BoseProfessional.com 上的 DesignMax DM8SE 技术参数表。

物理规格	
带网罩和支架的扬声器净重	11.1 千克 (24.5 磅)
装运重量	13 千克 (28.5 磅)
环境	适合在潮湿环境使用 符合 IEC 60529 IP55 (2019) 等级

重要安装信息

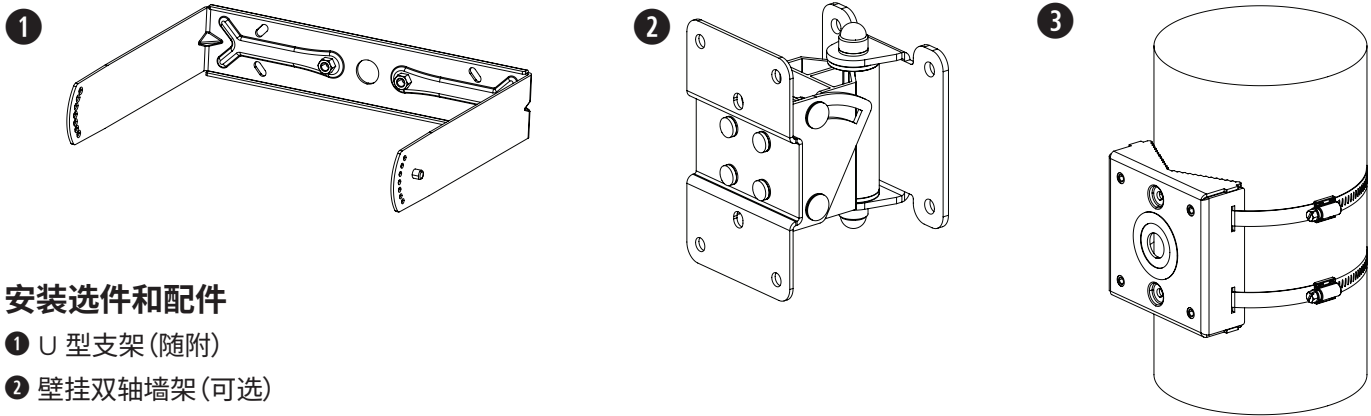


安装扬声器之前, 请阅读第 2 页上的重要安全说明。



对于通用音频安装应用, 环境防护等级为 EN60529 IP55。

安装选件



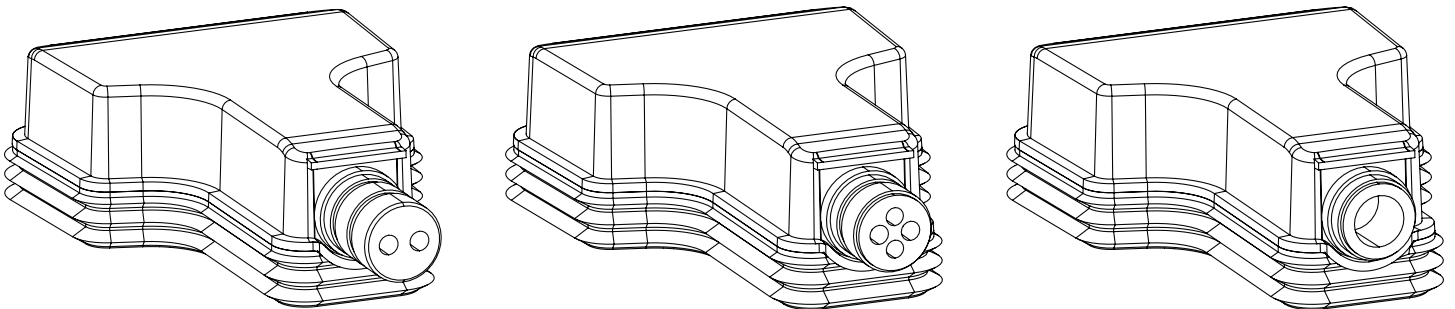
安装选件和配件

- ① U 型支架 (随附)
- ② 壁挂双轴墙架 (可选)
- ③ 杆式安装支架 (可选)

仅输入型

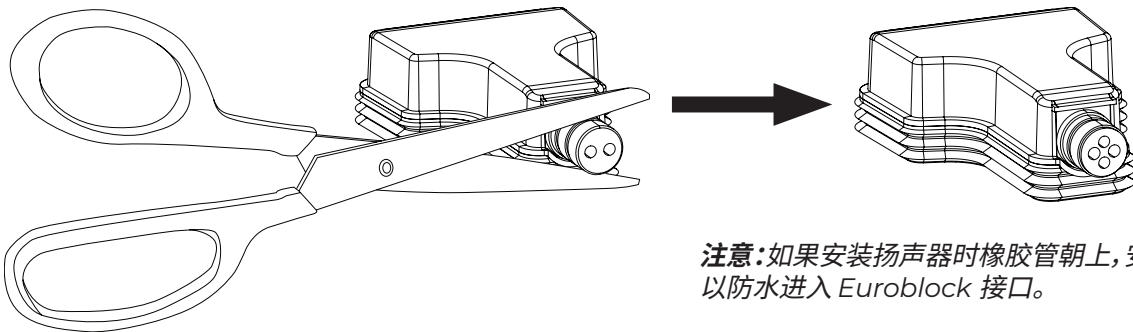
输入环外型

开口型

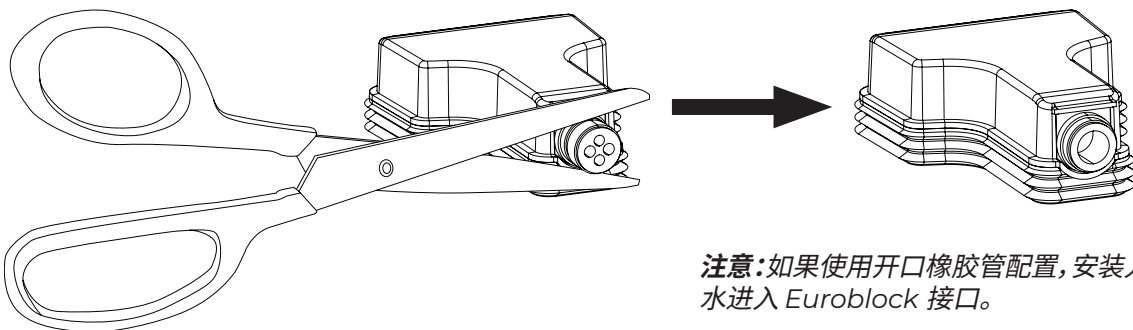


准备防风雨渗入的防护罩

防风雨渗入的防护罩分别针对三种不同的布线情况而设计 (请参见上图)。若要改变输入防护罩的配置以适应布线情况, 请沿橡胶管上的小孔进行剪切。



注意: 如果安装扬声器时橡胶管朝上, 安装人员有责任进行密封, 以防防水进入 Euroblock 接口。



注意: 如果使用开口橡胶管配置, 安装人员有责任进行密封, 以防防水进入 Euroblock 接口。

扬声器接线

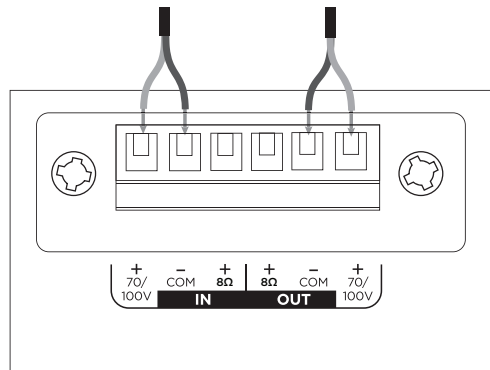
线规

DesignMax DM8SE 扬声器仅可与 18 AWG (0.8 平方毫米) 至 14 AWG (2.1 平方毫米) 规格的接线一起使用。

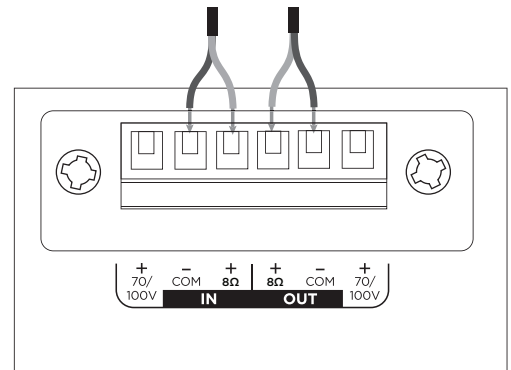
接线图

露出六毫米 (1/4 英寸) 长的裸线以连接到端子。

注意: 扬声器不适合与硬质管子一起使用。扬声器仅适合软质管子或直接布线连接方式。

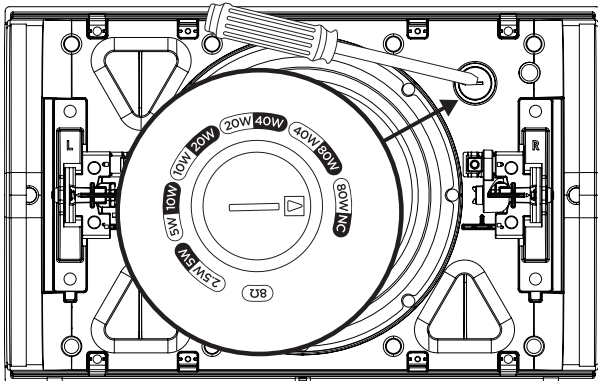


70V/100V



8Ω

扬声器设置



70V						8Ω
2.5W	5W	10W	20W	40W	80W*	
5W	10W	20W	40W	80W	NC**	
100V						

* 出厂默认设置

** NC: 无连接 (不使用)

变压器抽头设置

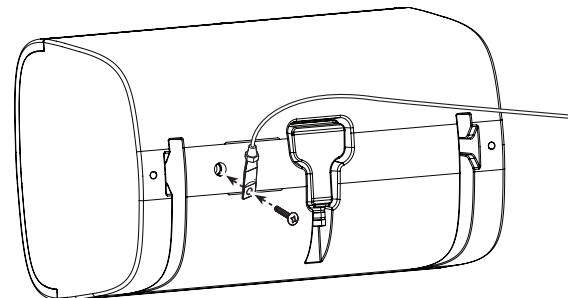
转动设置抽头。使用平头螺丝刀。

使用安全绳

某些地区的施工规范要求使用辅助方法将扬声器固定到支撑结构, 以提供额外的安全保障。选择符合当地的建筑法规和条例的安装位置、方法和安装紧固件。

可使用外壳背面的螺纹插件将一根安全绳连接到扬声器。

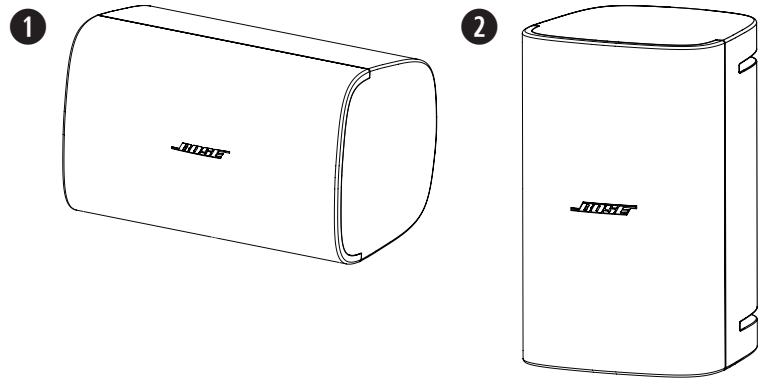
该插件适合与深度为 20 毫米 (0.79 英寸) 的 M8 螺钉 (未随附) 配合使用。



扬声器朝向

选择最适合您安装条件的扬声器朝向。

- ❶ 水平
- ❷ 垂直



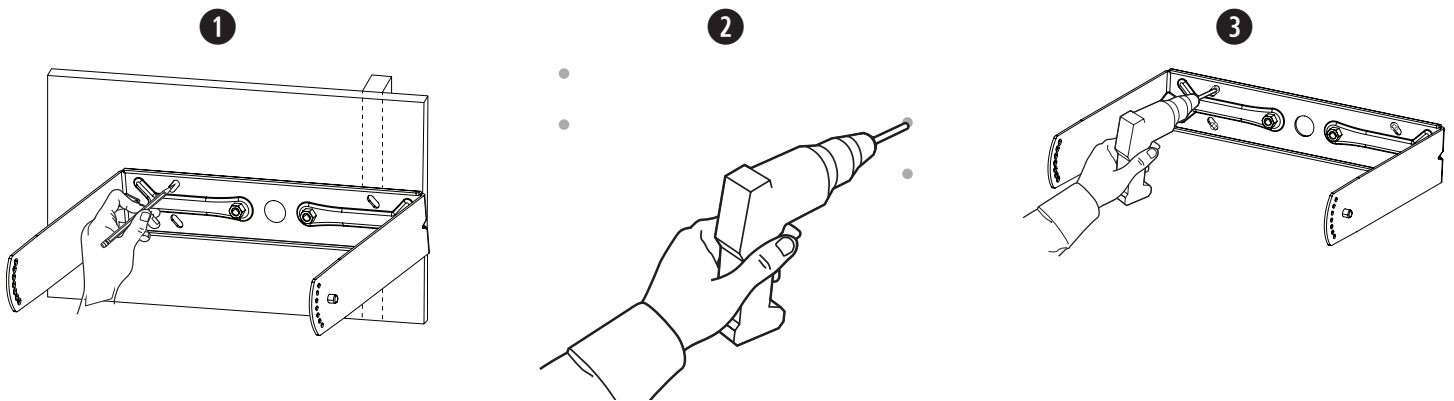
注意:安装在靠近烹饪台的位置(例如在商业烹饪环境中)时,扬声器可能直接暴露在烹饪油烟之下,这可能会降低扬声器的性能或可靠性。

安装支架

注意:选择安装位置时,必须将安装支架的至少两个连接点固定到支撑结构上。未固定到支撑结构上的连接点必须使用合适的安装紧固件进行固定。请选择符合当地所有建筑法规 and 要求的紧固件。

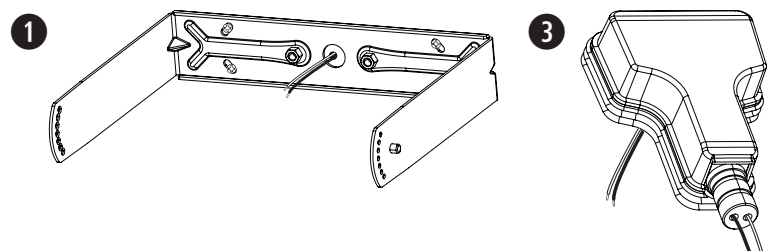
注意:请选择合适的紧固件以支撑扬声器的重量(11.1 千克 [24.5 磅])。

1. 做好钻孔记号。
2. 在墙壁上钻四个孔(大小适合相应的紧固件)。
3. 使用四颗螺丝(不随附)将支架固定到墙壁上。**注意:**使用 M6 或 1/4 英寸大小的螺钉。



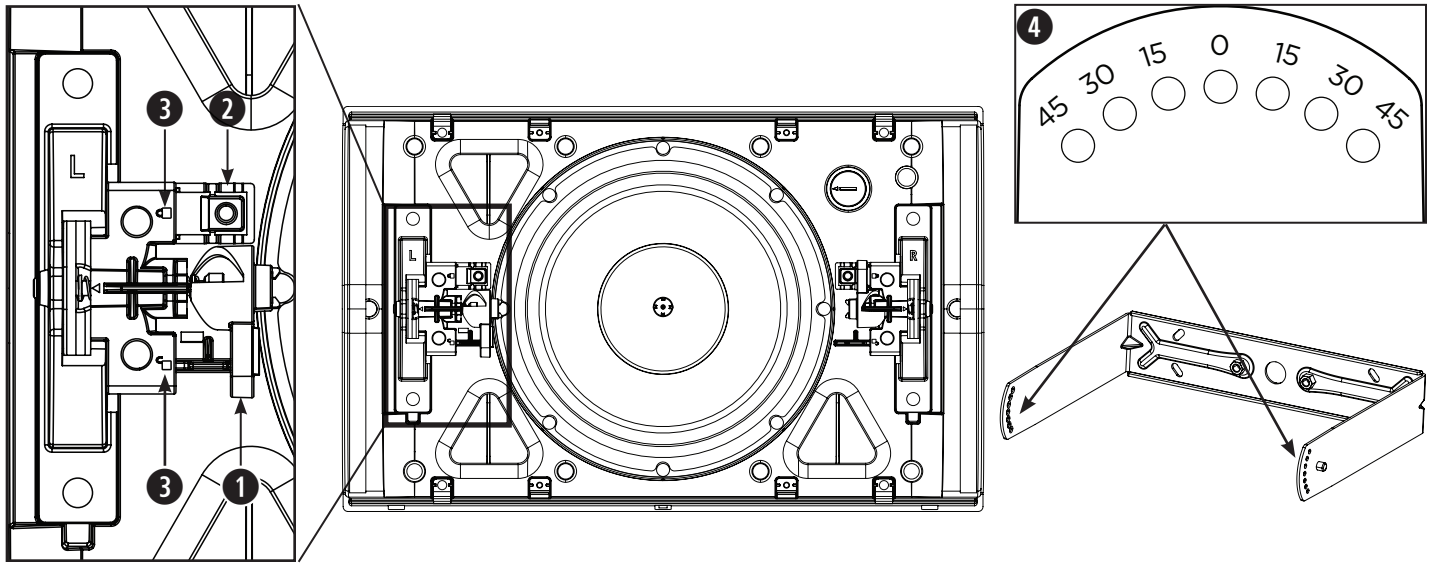
连接接线端子

1. 将接线穿过支架的中心孔。
2. 将接线端子从扬声器拆下。
3. 如果使用防风雨渗入的防护罩,插入接线时请从输入防护罩底部穿过。请参阅第 page 60 页的**准备防风雨渗入的防护罩**。
4. 执行接线端子接线操作。有关接线信息,请参阅第 page 61 页的**扬声器接线**。



重要安装信息

- ❶ 锁定杆：用于将扬声器固定到安装支架上。将锁定杆推向锁定销可将其锁定；将锁定杆推离锁定销可以解锁。
- ❷ 锁定销：向下按压锁定销可将锁定杆解锁。
- ❸ 锁定指示符号：用于指示锁定方向。
- ❹ 角度标签 (位于支架上)：用于指示您所需的角位置。



安装扬声器

注意：扬声器出厂时锁定杆已用胶带固定。请在安装前撕下胶带。

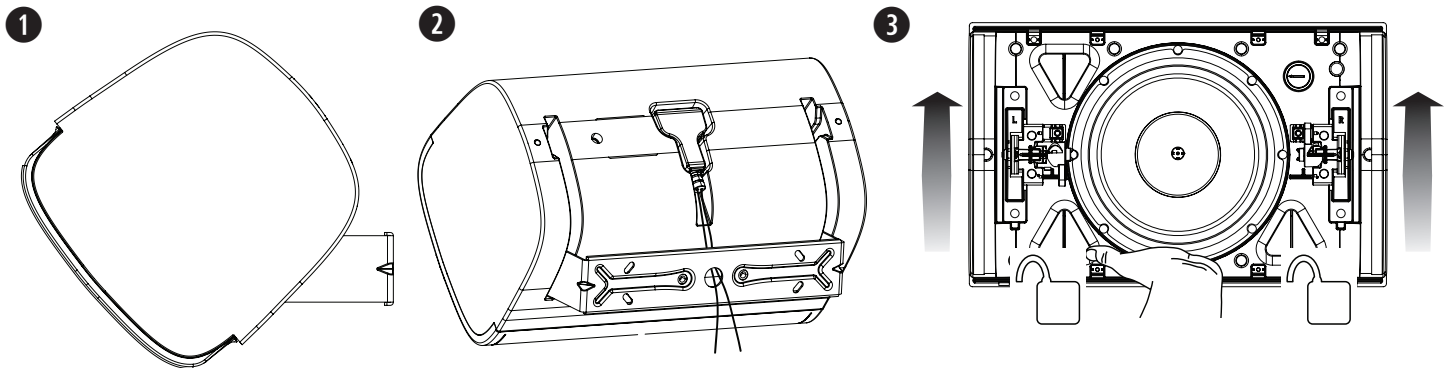
1. 将扬声器连接到支架上，将扬声器调整到 45°，然后将控制杆锁定到位。
2. 将已经接好线的接线端子连接到扬声器。
3. 解锁控制杆并将扬声器调整到所需角度。调整扬声器角度时，请确保支撑住扬声器的重量。

注意：扬声器的角度可以调节至 0°、15°、30° 或 45°。

4. 将锁定杆锁定到位。



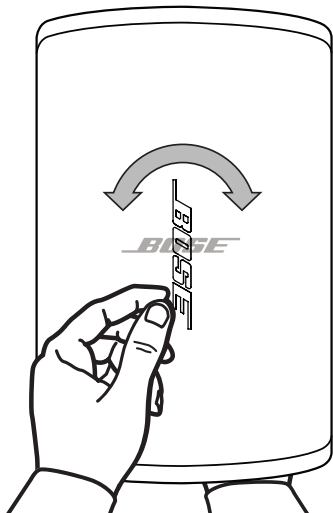
警告：不按说明将锁定杆推入锁定位置可能会造成跌落危险，继而导致财产损失以及致人受伤甚至死亡。安装人员有责任确保按照说明安装系统。



调整徽标

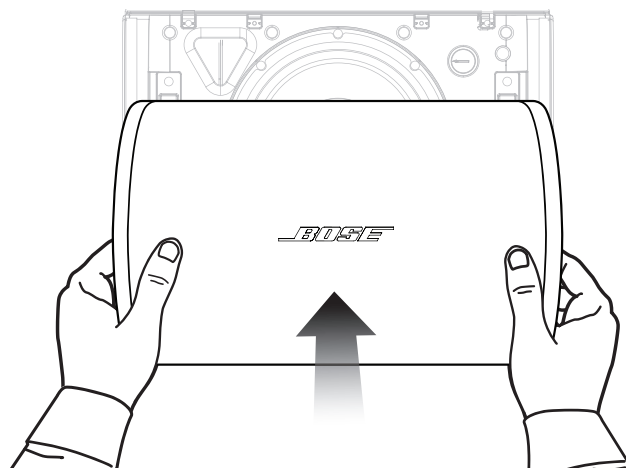
您可以旋转 Bose 徽标,使其与扬声器的方向一致。用一只手按下网罩背面的按钮。另一只手旋转徽标。徽标可顺时针或逆时针旋转。

注意:除非您想要拆下徽标,否则切勿向内挤压按钮。



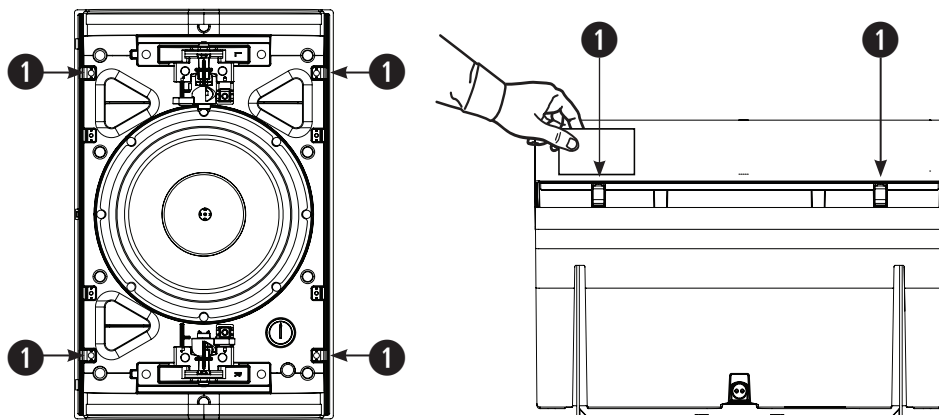
安装网罩

将网罩置于扬声器前端并牢牢推动到位。



移除网罩

网罩的每个角上各有四个小的开口(1)。沿着扬声器的一侧,将一个小而平的工具插入网罩开口,解开网罩松扣。将网罩拉出扬声器。



安全与合规

DesignMax DM8SE 扬声器经过测试,符合以下规格和用途:

列出的扬声器符合 ANSI/UL 1480A-2016, 适合商业和安全专业用途

通用 - UL 类别 UEAY/UEAY7, 文件号 S36835

适合在潮湿环境使用 - 符合 IEC 60529 IP55 (2019) 等级

DesignMax DM8SE 适用于室外潮湿位置

适合使用 1 级、2 级或 3 级接线方法安装,符合 NFPA 70 美国国家电气法规 (2017) 第 640 条

DesignMax DM8SE 扬声器是根据以下有关组合系统的欧洲监管规范中规定的要求进行设计的:

按照 IEC60268-5 (2007) 标准进行测试

請詳閱並妥善保管所有安全與使用指示。

本產品僅限由專業安裝人員安裝！本文件包含本產品採一般固定式安裝系統時的相關基本安裝資訊與安全準則，以供專業安裝人員參考。在嘗試進行安裝以前，請先閱讀本文件與所有的安全警告。

請勿試圖自行維修本產品。所有維修工作均應交由授權維修中心、安裝人員、技術人員、經銷商或分銷商來進行。若要聯絡 Bose Professional 或尋找當地經銷商或分銷商，請造訪 BoseProfessional.com。

1. 閱讀這些指示。
2. 保留這些指示。
3. 注意所有警告。
4. 遵守所有指示。
5. 請勿堵塞任何通風口。請按照製造商的指示安裝。
6. 請勿安裝於任何熱源附近，例如：電暖氣、熱調節裝置、爐具或其他會發熱的設備（包括擴大機）。
7. 請僅使用製造商指定的附件/配件。



警告/注意



本產品含有磁性材料。諮詢醫生了解此裝置是否會影響植入式醫療裝置。

- 安裝人員有責任確保所用支撐系統的風壓負載強度，足以符合適用規範和標準的要求。
- 所有 Bose Professional 產品的安裝必須遵守當地、州、聯邦和行業規範。安裝人員有責任確保揚聲器和安裝系統的裝設均符合適用的法規，包括當地的建築法規和規定。安裝本產品前，請諮詢擁有司法管轄權的當地政府機關。
- 本產品無法安裝或使用於室內供水設施之區域（包括但不限於：室內游泳池、室內水上樂園、澡堂、三溫暖、蒸氣室及室內滑冰場）。
- 任何重物若以不安全方式安裝或懸吊在頭頂上方，都可能導致嚴重傷亡與財產損壞。安裝人員有責任評估其應用使用的任何安裝方式是否可靠。只有具備適當五金部件知識和安全安裝技術的專業安裝人員，才應嘗試將任何揚聲器安裝在頭頂上方。
- 請勿安裝在不穩固或者內藏危險（例如電線或配管）的表面。如果不確定要如何安裝支架，請聯絡合格的專業安裝人員。請確保支架的安裝方式符合當地建築法規。
- 安裝 DesignMax DM8SE 揚聲器時，僅限使用隨附或由 Bose Professional 指定的五金部件及配件。未提供將揚聲器固定在安裝表面上所需的五金部件。如需有關相容配件的資訊，請參閱產品的技術資料表，位於：BoseProfessional.com。
- 保持產品遠離火源和熱源。請勿將明火火源（例如點燃的蠟燭）置於本產品上或本產品附近。
- 未經授權請勿擅自改裝本產品。
- DesignMax DM8SE 壁掛式支架僅供型號 DM8SE 使用。
- 請勿讓揚聲器或安裝組件接觸任何未經 Bose Professional 指定的化學物質，包括但不限於：潤滑劑、清潔劑、電子接點清潔劑或其他碳氫溶劑。接觸該等物質可能使塑膠材質降解，導致裂開並有掉落危險。
- 只能使用乾布來清潔揚聲器。請勿讓揚聲器接觸肥皂、去汙劑、礦物油、酒精或其他清潔劑或化學品。
- 請勿觸摸未絕緣的接線或接線端子。本產品的音訊接線端子帶有電壓，若不慎接觸會引起不適。

產品額定值：

輸入電壓：70V/100V

阻抗：8 Ω, 125 W

電流或功率：(70V)：2.5W、5W、10W、20W、40W、80W；
(100V)：5W、10W、20W、40W、80W

法規資訊



本產品符合所有適用的歐盟指令要求。您可以從以下產品專屬頁面找到完整的符合聲明：BoseProfessional.com



此符號表示本產品不得以家庭廢棄物方式丟棄，而應送交適當的回收站。妥善處理及回收有助於保護天然資源、人類健康和環境。想了解更多有關本產品的處理和回收資訊，請與當地民政部門、廢棄物處理服務機構或售出本產品的商店連絡。

中國有害物質限制使用表

有毒或有害物質或元素的名稱及成分						
有毒或有害物質或元素						
零件名稱	鉛 (Pb)	汞 (Hg)	鎘 (Cd)	六價鉻 (CR(VI))	多溴聯苯 (PBB)	多溴二苯醚 (PBDE)
印刷電路板	X	0	0	0	0	0
金屬零件	X	0	0	0	0	0
塑膠零件	0	0	0	0	0	0
揚聲器	X	0	0	0	0	0
連接線	X	0	0	0	0	0

此表格根據 SJ/T 11364 條款編製。
0：表示此零件中所含有均質材料所含的有毒或有害物質，均低於 GB/T 26572 中規定的限制要求。
X：表示此零件所使用的均質材料中，至少有一種其有毒或有害物質含量超出 GB/T 26572 中規定的限制要求。



台灣危險物質限用表

設備名稱：DesignMax DM8SE，型號：892116						
限用物質及其化學符號						
裝置	鉛 (Pb)	汞 (Hg)	鎘 (Cd)	六價鉻 (Cr+6)	多溴聯苯 (PBB)	多溴二苯醚 (PBDE)
印刷電路板	-	0	0	0	0	0
金屬零件	-	0	0	0	0	0
塑膠零件	0	0	0	0	0	0
揚聲器	-	0	0	0	0	0
連接線	-	0	0	0	0	0

備註 1：「0」表示限用物質的含量百分比未超過參考值。
備註 2：「-」表示限用物質屬於豁免項目範圍。

製造日期：序號第八位數代表製造年份；「7」代表 2007 或 2017。

歐盟進口商：Transom Post Netherlands B.V., Keizersgracht 391A, 1016 EJ, Amsterdam | 英國進口商：Transom Post Netherlands UK, Squires House 205a High Street, West Wickham, BR4 0PH | 日本進口商：Transom Post International Japan KK Co., Ltd. PMO Tamachi IV Shiba5-29-19, Minato-ku, Tokyo | 澳洲進口商：Transom Post Australia Pty. Ltd., Level 14, 60 Margaret Street, Sydney, NSW 2000 | 中國進口商：Transom Post (Shanghai) Audio Co. Ltd Room 2209, Building 1, 175 Longyao Road, Xuhui District, Shanghai | 墨西哥進口商：POST INTL MEXICO, S. DE R.L.DE C.V.Insurgentes Sur No. 1079, 1st floor, Colonia Noche Buena, Benito Juárez, C.P.03270, Mexico City | 阿拉伯聯合大公國進口商：102 A, Sama Tower Sheikh Zayed Road, Dubai UAE

Bose 是 Bose Corporation 的商標。

DesignMax 為 Transom Post OpCo LLC. 的商標。

Bose Professional, 117 South St, Hopkinton, MA 01748 USA

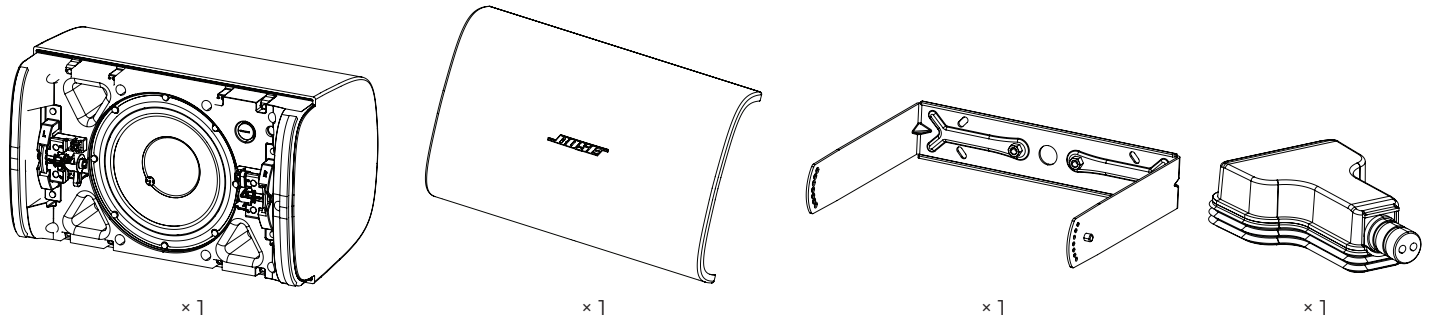
©2024 Transom Post OpCo LLC. 未經預先書面許可，不得重製、修改、散佈或以其他方式使用本指南之任何部分。

保固資訊

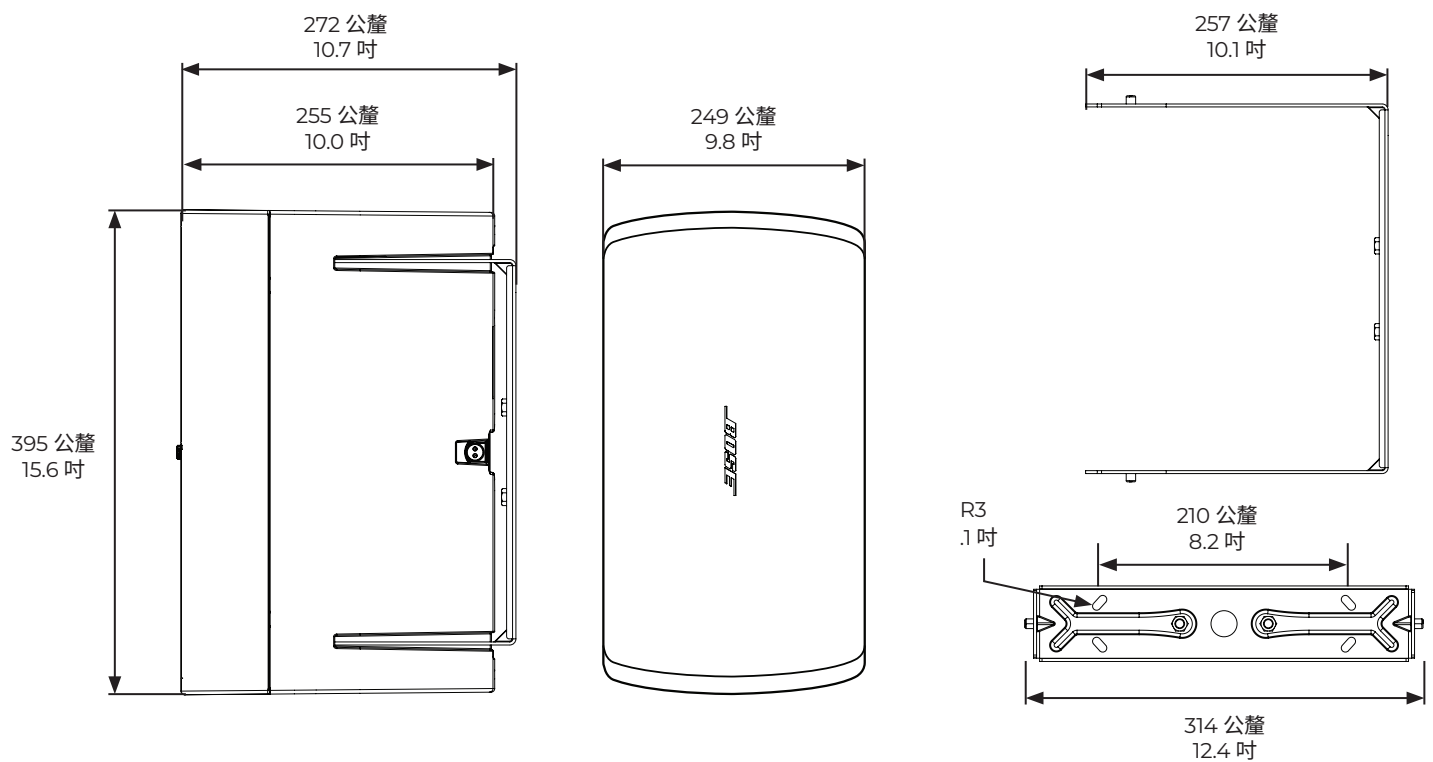
此產品享有有限保固。

如需保固詳細資料，請造訪 BoseProfessional.com/Warranty。

包裝內容物



產品尺寸



技術規格

如需其他規格資訊，請參閱 DesignMax DM8SE 技術資料表：

BoseProfessional.com。

物理特性	
淨重 (揚聲器含網罩和支架)	11.1 公斤 (24.5 磅)
裝運重量	13 公斤 (28.5 磅)
環境	適用於潮濕環境 符合 2019 年 IEC 60529 IP55 防護等級

重要安裝資訊

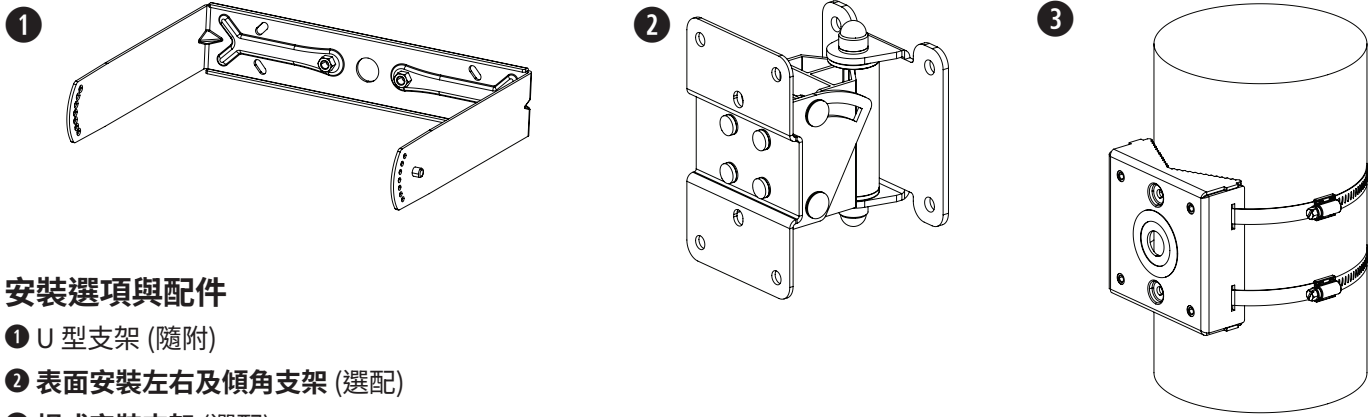


安裝揚聲器之前，請先參閱第 2 頁的**重要安全指示**。



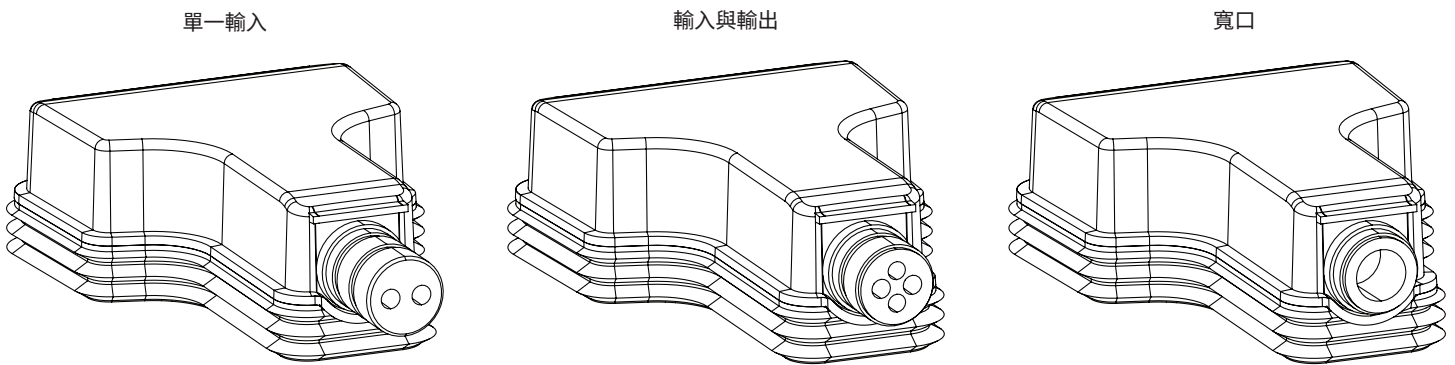
適用於**聲音裝置安裝應用一般用途**，符合 EN60529 的 IP55 環境防護等級。

安裝選項



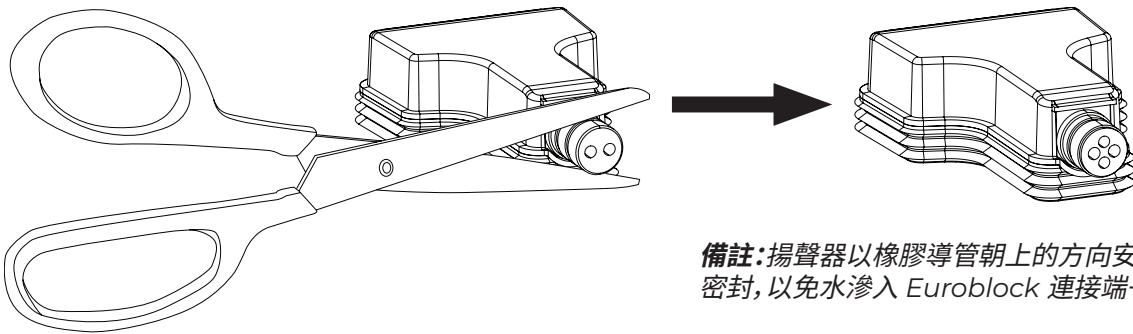
安裝選項與配件

- ❶ U 型支架 (隨附)
- ❷ 表面安裝左右及傾角支架 (選配)
- ❸ 桿式安裝支架 (選配)

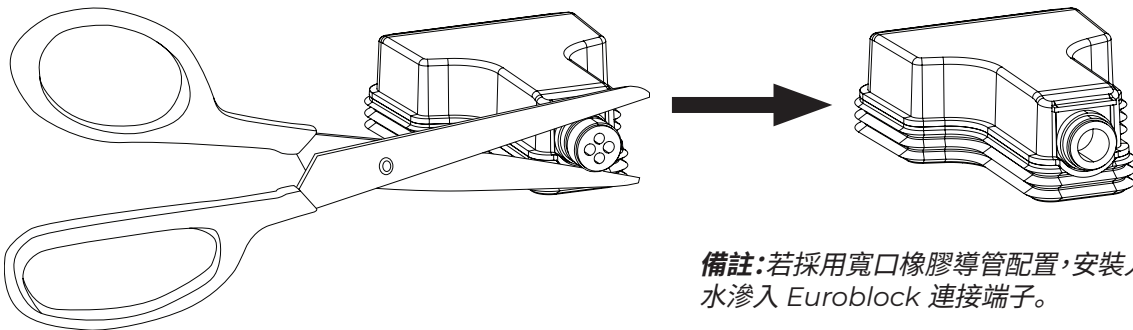


準備防風雨的輸入端子外蓋

防風雨輸入端子外蓋針對三種不同的配線情況而設計 (詳上圖)。欲按照配線情況變更輸入端子外蓋的配置時, 請沿著橡膠導管上的打孔處切割即可。



備註:揚聲器以橡膠導管朝上的方向安裝時, 安裝人員有責任妥善密封, 以免水滲入 Euroblock 連接端子。



備註:若採用寬口橡膠導管配置, 安裝人員有責任妥善密封, 以防滲入 Euroblock 連接端子。

揚聲器的配線

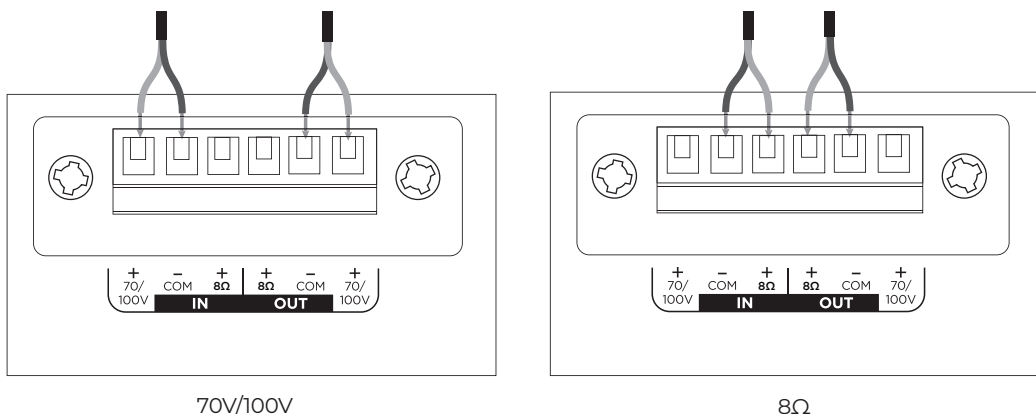
線材規格

DesignMax DM8SE 揚聲器在設計上, 僅能使用尺寸為 18 AWG (0.8 mm²) 至 14 AWG (2.1 mm²) 的線材。

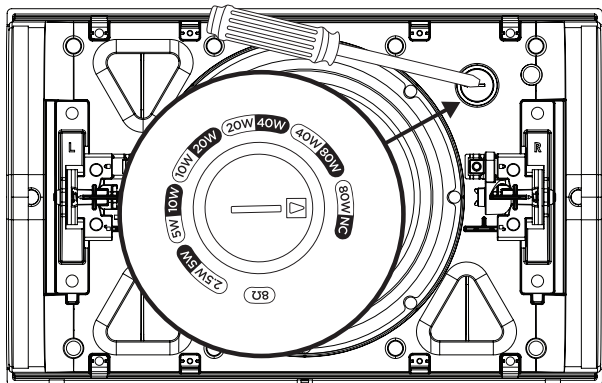
接線圖

預留 6 公釐 (¼ 吋) 的裸線以連接至端子。

備註:本揚聲器不適用硬質導管。本揚聲器僅適合彈性導管或以配線連接。



揚聲器設定



70V						8Ω
2.5W	5W	10W	20W	40W	80W*	
5W	10W	20W	40W	80W	NC**	
100V						

* 原廠預設

** NC: 無連接 (請勿使用)

變壓器功率抽頭設定

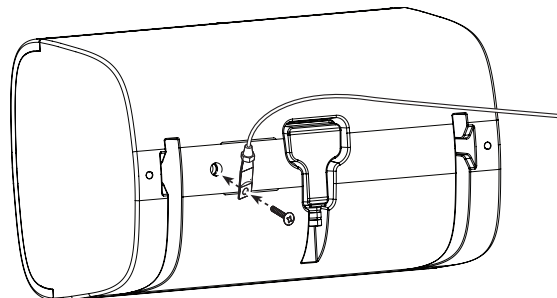
以旋轉調整方式設定功率抽頭。請使用扁頭螺絲起子。

使用安全纜線

某些地區的建築法規會要求使用第二方法來確保揚聲器與支撐結構的固定, 以提供額外的安全性。請選擇符合當地建築法規與規定的安裝位置、方法及五金部件。

安全纜線可使用外殼背面上的螺絲吊點, 附掛於揚聲器上。

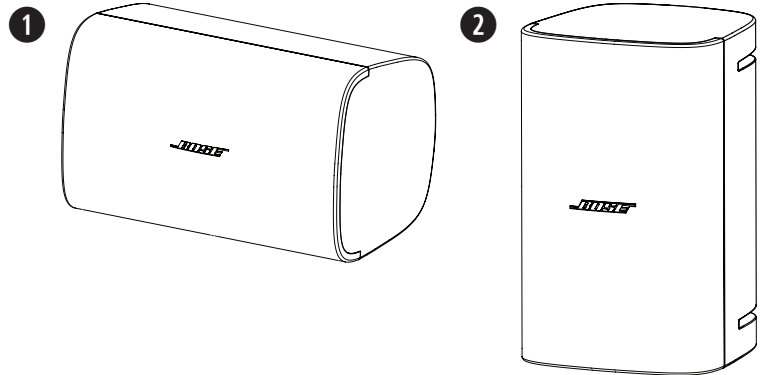
吊點尺寸適用深度為 20 公釐 (0.79 吋) 的 M8 螺絲 (未隨附)。



揚聲器方向

請選擇最適合安裝環境的揚聲器方向。

- ❶ 水平
- ❷ 垂直



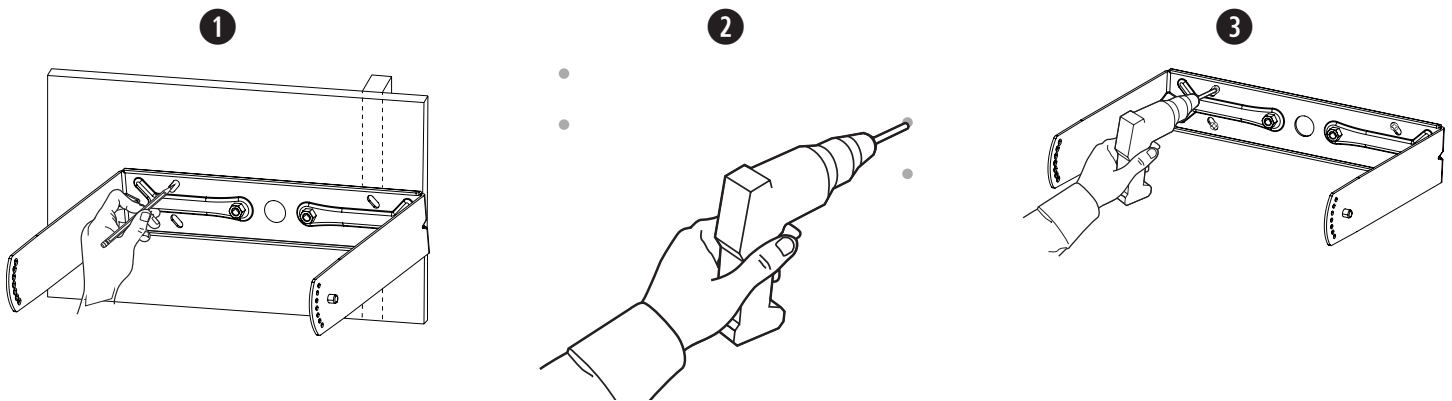
備註:若揚聲器安裝的位置靠近料理檯面,可能會直接接觸烹調油脂(例如商業料理環境),這可能會降低揚聲器的效能或功能性。

安裝支架

備註:選擇安裝地點時,需有至少兩個安裝支架的安裝點,固定於支撐結構。未固定於支撐結構的安裝點,必須使用適當的安裝五金部件固定。請選擇符合所有當地建築法規和要求的緊固件。

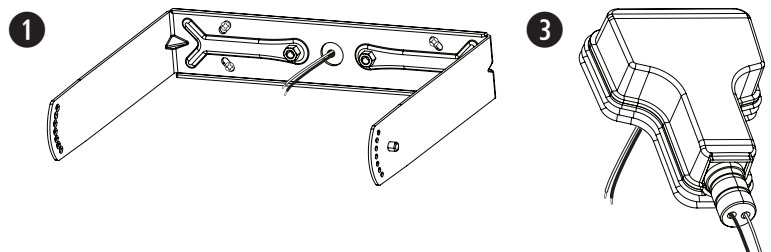
備註:請選擇足以支撐揚聲器重量 (11.1 公斤 [24.5 磅]) 的適用緊固件。

1. 標記鑽孔位置。
2. 在牆上鑽出四個孔 (大小適合緊固件)。
3. 使用四顆螺絲將支架固定在牆上 (未隨附)。備註:使用 M6 或 1/4 吋大小的螺絲。



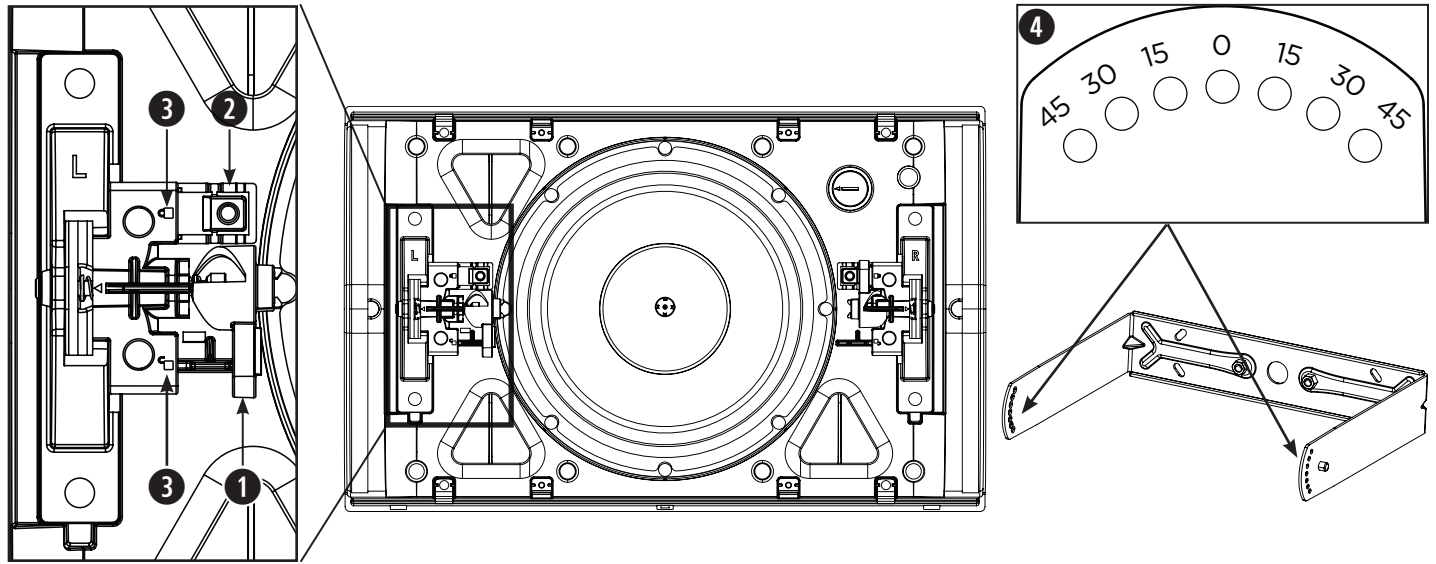
連接器的配線

1. 將線路穿過支架中央的孔。
2. 從揚聲器取下連接器。
3. 如果使用防風雨的輸入端子外蓋,請將線路穿過輸入端子外蓋底部。請參閱第 page 67 頁的準備防風雨的輸入端子外蓋。
4. 將線路連接至連接端子。如需瞭解配線資訊,請參閱第 page 68 頁的揚聲器的配線。



重要安裝資訊

- ❶ 鎖定桿：用於將揚聲器固定至安裝支架。將鎖定桿推往鎖銷的方向即可鎖定，推離鎖銷則解除鎖定。
- ❷ 鎖銷：壓下鎖銷，即可將鎖定桿解除鎖定。
- ❸ 鎖定指示器：確認鎖定方向。
- ❹ 角度標示 (在支架上)：確認您所需的角度位置。



安裝揚聲器

備註：揚聲器在出貨時，已使用膠帶固定鎖定桿。請先取下膠帶，再進行安裝。

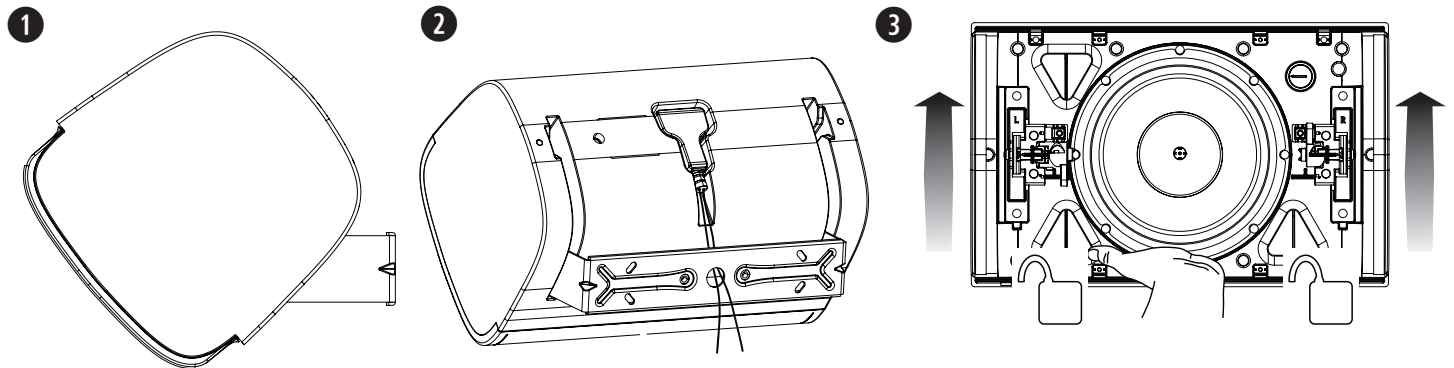
1. 將揚聲器附接至支架，調整揚聲器角度至 45°，然後把鎖定桿鎖至定位。
2. 附接佈線連接端子至揚聲器。
3. 將鎖定桿解除鎖定，並調整揚聲器至想要的角度。調整揚聲器的角度時，請確保有妥善支撐揚聲器的重量。

備註：揚聲器可調整至 0°、15°、30° 或 45° 的角度。

4. 將鎖定桿鎖至定位。



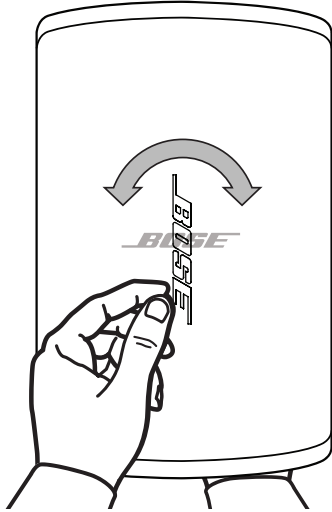
警告：若未按照指示將鎖定桿推入鎖定位置，可能導致揚聲器有掉落的危險，並造成財產損壞、人員重傷或喪命。安裝人員有責任確保安裝系統有依照指示裝設。



調整標誌

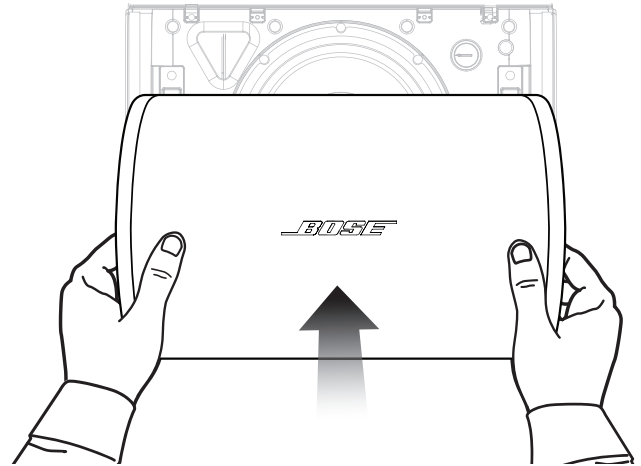
可旋轉 Bose 標誌對齊揚聲器的方向。一手按著網罩背面的按鈕。另一手旋轉標誌。標誌可以順時鐘或逆時鐘旋轉。

備註：請勿往內擠壓按鈕，除非打算移除標誌則。



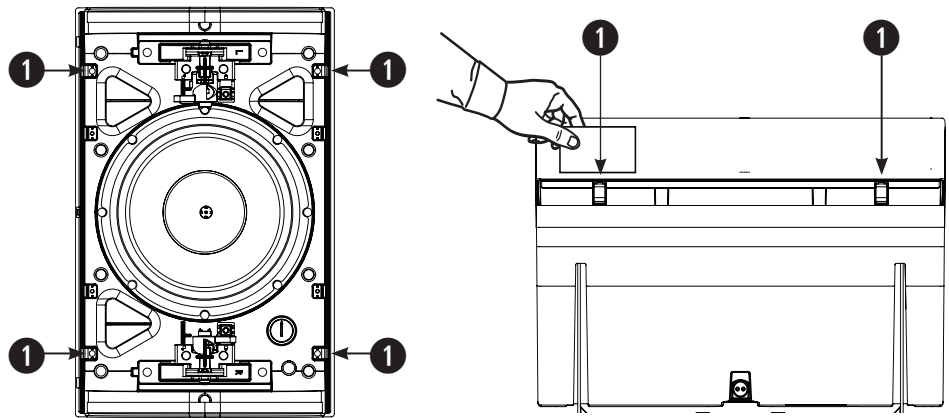
安裝網罩

請將網罩放在揚聲器正面上，然後施力推入固定就位。



取下網罩

在網罩的四個角落有四個小孔 (1)。沿著揚聲器側邊，將小型平口工具插入網罩孔，以鬆開釋放鎖片。從揚聲器拉出網罩取下。



安全與法規遵循

DesignMax DM8SE 揚聲器已經通過測試，並符合下列規格及用途：

名列 ANSI/UL 1480A-2016 適合商業及安全專業用途的揚聲器

一般用途 - 符合 UL Category UEAY/UEAY7, 案號 S36835

適用於潮濕環境 - 符合 2019 年 IEC 60529 IP55 防護等級

DesignMax DM8SE 揚聲器適用於戶外潮濕區域

適合使用符合 NFPA-70、2017 年《National Electric Code》(美國國家電氣規程) 第 640 條規定的類、

適合使用 Class 1、Class 2 或 Class 3 配線方式安裝。

DesignMax DM8SE 揚聲器的設計符合下列歐洲組合系統法規所定義之要求：

經測試符合 IEC60268-5, 2007 年

安全上の留意項目および使用方法をよく読み、いつでも参照できるように保管してください。

本製品は、専門の施工業者による設置のみを想定した製品です。本書は、一般的な固定設置システムにおける本製品の、基本的な設置と安全上のガイドラインを施工業者様に提供します。設置する前に、本書とすべての安全に関する警告をお読みください。

本製品をお客様ご自身で修理しようとなさらないでください。作業が必要な際には、認定を受けたサービスセンター、設置業者、技術者、ディーラー、または代理店までご連絡ください。Bose Professionalにご連絡いただくか、最寄りのディーラーまたはディストリビューターを見つけるには、BoseProfessional.com にアクセスしてください。

- このガイドをよくお読みください。
- 必要な時にご覧になれるよう、本書を保管してください。
- すべての注意事項に留意してください。
- すべての指示に従ってください。
- 通気孔は塞がないでください。製造元の指示に従って設置してください。
- ラジエータ、暖房送風口、ストーブ、その他の熱を発生する装置（アンプを含む）の近くには設置しないでください。
- 必ず指定された付属品、あるいはアクセサリのみをご使用ください。



警告 / 注意



この製品には磁性材料が含まれています。体内に埋め込まれている医療機器への影響については、医師にご相談ください。

- 適用される法律と基準を遵守するために十分な風荷重の強度を保つ支持機構を使用することは、施工業者の責任です。
- Bose Professional製品を設置する際は、必ず地域と業界指導の安全基準に従ってください。各地域の建築に関する条例や規制など、適用される全ての法律に従って本製品およびその取付金具を設置することは施工業者の責任です。本製品を設置する前に、各地域の管轄官庁に相談してください。
- この製品は屋内の水を使用するエリア（屋内プール、屋内ウォータパーク、浴室、サウナ、スチームサウナ、屋内スケートリンクなど）での設置または使用を意図していません。
- 重量物の不安定な設置や頭上となる場所への取り付けは、重傷または死亡、および機器への損傷の原因となります。適用する設置方法の信頼性を評価することは、施工業者の責任です。天井にスピーカーを設置する場合は、必ず、適切な部品および安全な設置技術の知識を持つ専門の施工業者が行うようにしてください。
- 設置面の強度が不十分な場合や、設置面の裏側に電線や配管などの危険物が隠れている場合は、本製品を設置しないでください。ブラケットの設置で不明な点がある場合は、専門の施工業者に作業を依頼してください。ブラケットを取り付ける際は、建築関連法規に従ってください。
- DesignMax DM8SEには、本体付属またはBose Professional指定の取り付け部品およびアクセサリのみをご使用ください。本スピーカーを取り付け面に固定するための器具は付属していません。使用可能なアクセサリの詳細については、BoseProfessional.com に公開されている、本製品のテクニカルデータシートを参照してください。
- 火気や熱源などの近くで使用しないでください。火の付いたろうそくなどの火気を、製品の上や近くに置かないでください。
- 許可なく製品を改造しないでください。
- DesignMax DM8SE壁掛けブラケットは、DM8SEにのみ使用されることを目的としています。
- スピーカーや取り付けコンポーネントを、潤滑剤、洗浄剤、接点復活剤、および炭化水素を基剤とする他の溶剤など、Bose Professional指定外の化学物質にさらさないでください。製品がこうした物質に触れると、プラスチック素材の劣化につながり、ひび割れが生じて落下事故を招くおそれがあります。
- スピーカーの汚れを落とす際には、必ず乾いた布を使用してください。スピーカーを、石けん、洗剤、銲油、アルコールなどの洗浄剤や洗浄用化学物質にさらさないでください。
- 絶縁されていないケーブルや、配線端子には触れないでください。この製品には、触れると危険な電圧を送電している音声配線端子があります。

仕様:

入力電圧: 70V、100V

インピーダンス: 8Ω、125W

電流またはパワー: (70V): 2.5W、5W、10W、20W、40W、80W、(100V): 5W、10W、20W、40W、80W

規制に関する情報



この製品は、該当するすべてのEU指定要件に準拠しています。適合宣言書の全文については、次の製品仕様サイトを参照してください。BoseProfessional.com



この記号は、製品が家庭ごみとして廃棄されてはならず、リサイクル用に適切な収集施設に送る必要があることを意味しています。適切な廃棄とリサイクルにより、自然資源、人体の健康、環境が保護されることとなります。本製品の廃棄およびリサイクルに関する詳細は、お住まいの自治体、廃棄サービス、または本製品を購入された店舗にお問い合わせください。

中国における有害物質の使用制限表

有害 / 危険物質または成分の名称および含有に関する情報						
有害 / 危険物質および成分						
パーツ名	鉛 (Pb)	水銀 (Hg)	カドミウム (Cd)	六価クロム (Cr (VI))	ポリ臭化ジフェニル (PBB)	ポリ臭化ジフェニルエーテル (PBDE)
基板	X	0	0	0	0	0
金属パーツ	X	0	0	0	0	0
プラスチックパーツ	0	0	0	0	0	0
スピーカー	X	0	0	0	0	0
ケーブル	X	0	0	0	0	0

この表は、SJ/T 11364の規格に沿うように作成されています。
 0: このパーツに使用されているすべての均質物質に含まれている当該有害物質が、GB/T 26572の制限要件を下回っていることを示します。
 X: このパーツに使用されている1種類以上の均質物質に含まれている当該有害物質が、GB/T 26572の制限要件を上回っていることを示します。



台湾における有害物質の使用制限表

機器名: DesignMax DM8SE、形式: 892116						
制限される物質および化学記号						
ユニット	鉛 (Pb)	水銀 (Hg)	カドミウム (Cd)	六価クロム (Cr+6)	ポリ臭化ジフェニル (PBB)	ポリ臭化ジフェニルエーテル (PBDE)
基板	-	○	○	○	○	○
金属パーツ	-	○	○	○	○	○
プラスチックパーツ	○	○	○	○	○	○
スピーカー	-	○	○	○	○	○
ケーブル	-	○	○	○	○	○

注1: 「○」は制限物質の含有率が存在の基準値の比率を超過していないことを示します。
 注2: 「-」は、制限される物質が免除に該当することを示します。

製造日: シリアル番号の8桁目の数字は製造年を表します。「7」は2007年または2017年です。

EUにおける輸入元: Transom Post Netherlands B.V., Keizersgracht 391A, 1016 EJ, Amsterdam | **英国における輸入元:** Transom Post Netherlands UK, Squires House 205a High Street, West Wickham, BR4 0PH | **日本における輸入元:** Transom Post International Japan KK Co., Ltd. 東京都港区芝5-29-19 PMO田町IV | **オーストラリアにおける輸入元:** Transom Post Australia Pty. Ltd., Level 14, 60 Margaret Street, Sydney, NSW 2000 | **中国における輸入元:** Transom Post (Shanghai) Audio Co. Ltd Room 2209, Building 1, 175 Longyao Road, Xuhui District, Shanghai | **メキシコにおける輸入元:** POST INTL MEXICO, S. DE R.L.DE C.V.Insurgentes Sur No. 1079, 1st floor, Colonia Noche Buena, Benito Juárez, C.P.03270, Mexico City | **UAEにおける輸入元:** 102 A, Sama Tower Sheikh Zayed Road, Dubai UAE

BoseはBose Corporationの登録商標です。

DesignMaxはTransom Post OpCo LLCの商標です。

Bose Professional, 117 South St, Hopkinton, MA 01748 USA

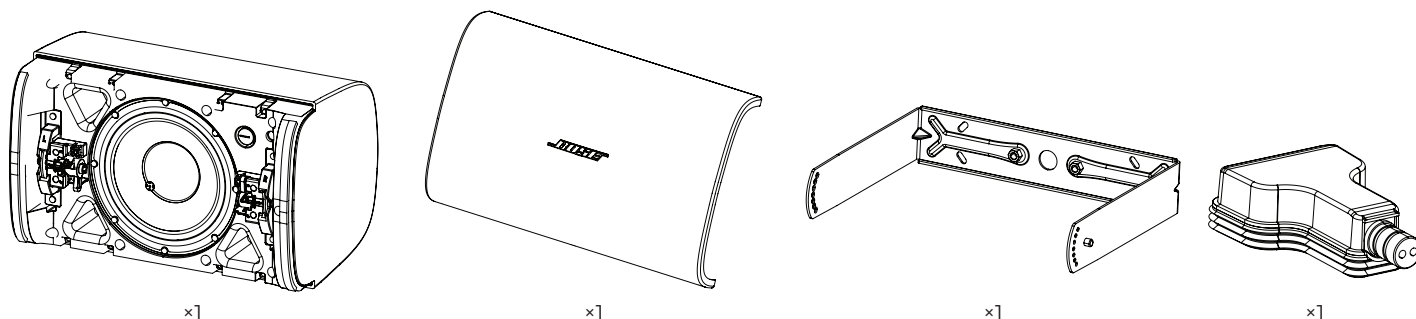
©2024 Transom Post OpCo LLC.本書のいかなる部分も、書面による事前の許可のない複製、変更、配布、その他の使用は許可されません。

保証について

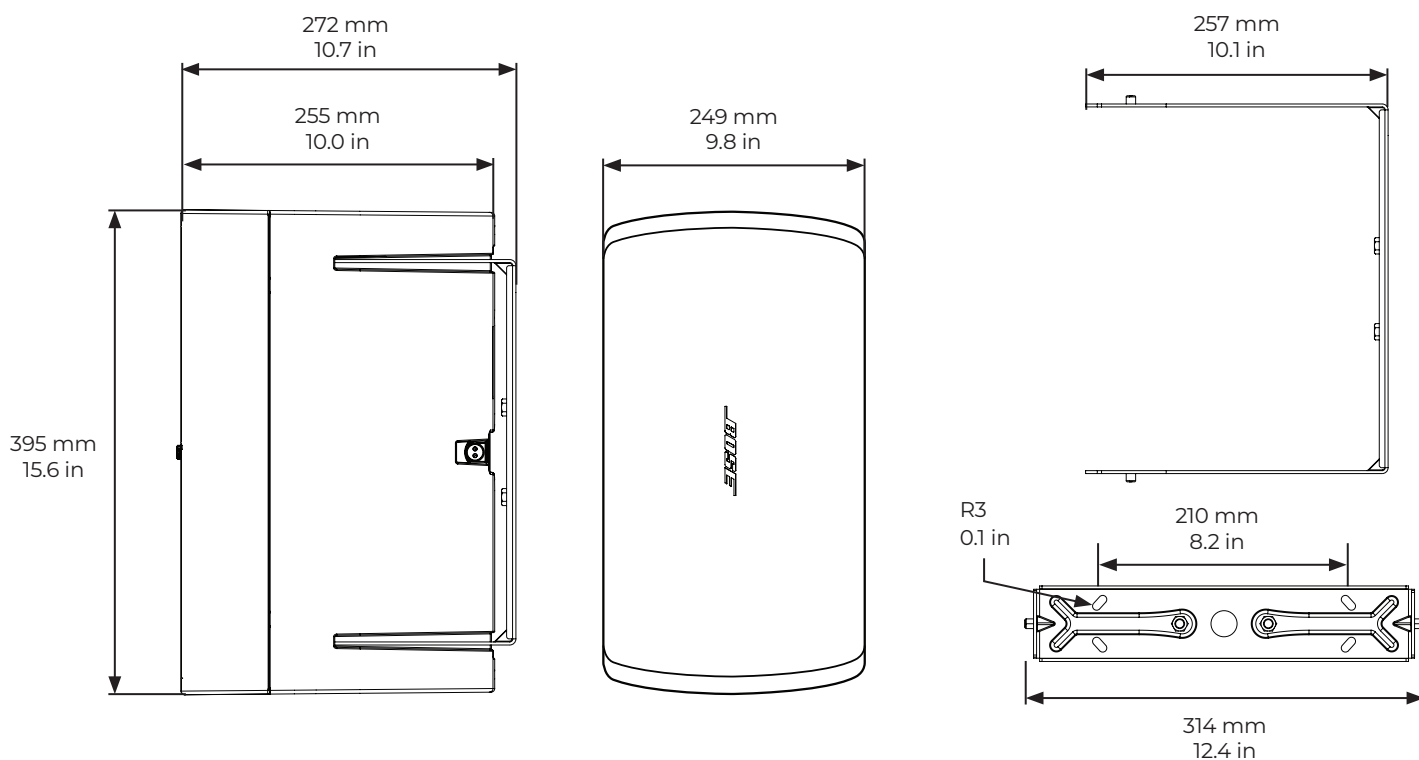
本製品は保証の対象です。

保証の詳細については、BoseProfessional.com/Warrantyをご覧ください。

同梱物



製品寸法



技術仕様

詳細な仕様は、BoseProfessional.comに用意されている、DesignMax DM8SEのテクニカルデータシートを参照してください。

物理的仕様	
質量(グリルおよびブラケット装着時のスピーカー)	11.1 kg
梱包質量	13 kg
使用環境	水気の多い場所での使用に対応 IEC 60529-2019準拠のIP55

設置に関する重要な情報

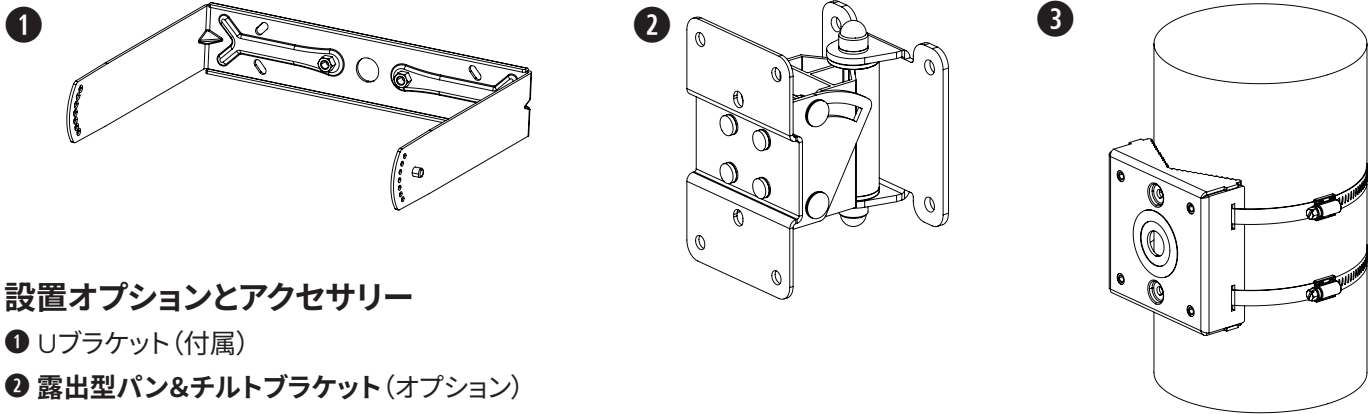


スピーカーを設置する前に、2ページの「安全上の重要な注意事項」をご確認ください。



汎用オーディオ設置の基準は、EN60529準拠のIP55の環境耐候性に対応しています。

設置オプション



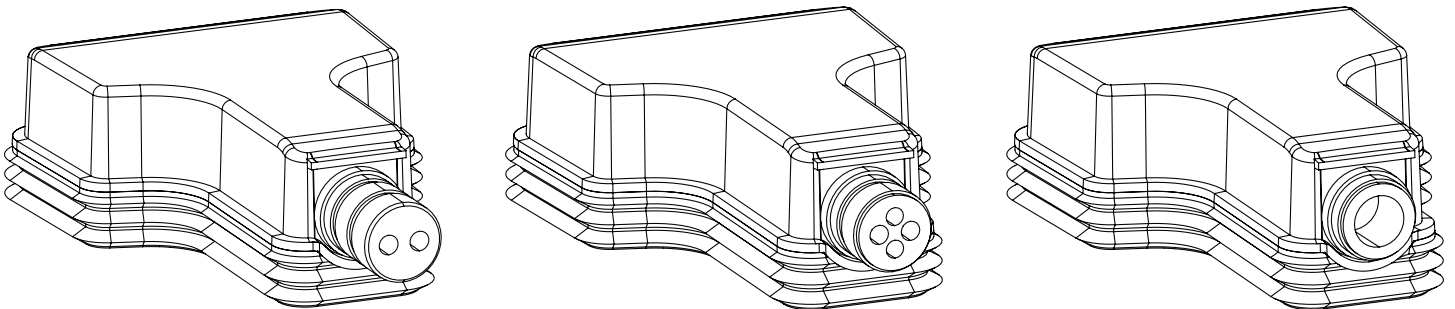
設置オプションとアクセサリ

- ① Uブラケット (付属)
- ② 露出型パン&チルトブラケット (オプション)
- ③ ポールマウントブラケット (オプション)

単一入力

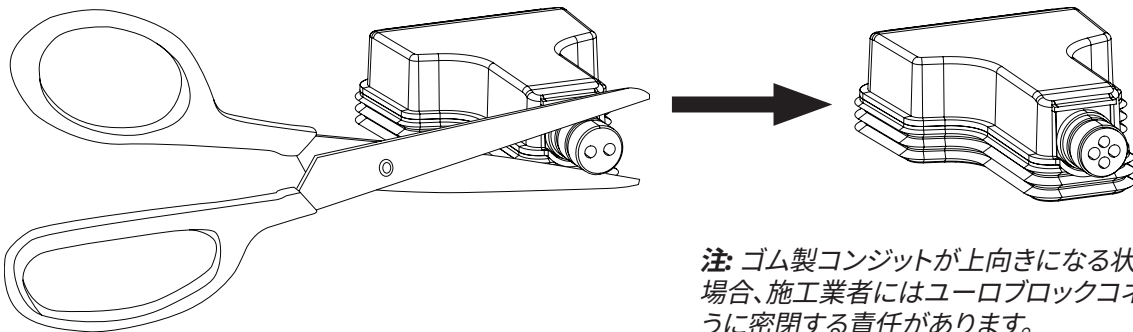
入力と出力

開口

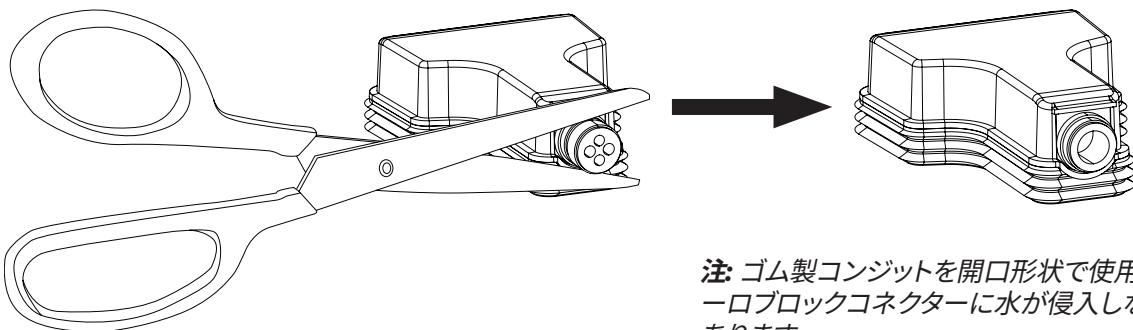


耐候入力カバーを準備する

耐候性入力カバーは、3種類の配線形式 (上記参照) に対応するように設計されています。お使いの配線形式に対応するように入力カバーの形状を変更するには、ゴム製コンジットの穴に沿って切り取ります。



注: ゴム製コンジットが上向きになる状態でスピーカーを設置する場合、施工業者にはユーロブロックコネクタに水が侵入しないように密閉する責任があります。



注: ゴム製コンジットを開口形状で使用する場合、施工業者にはユーロブロックコネクタに水が侵入しないように密閉する責任があります。

スピーカーの配線

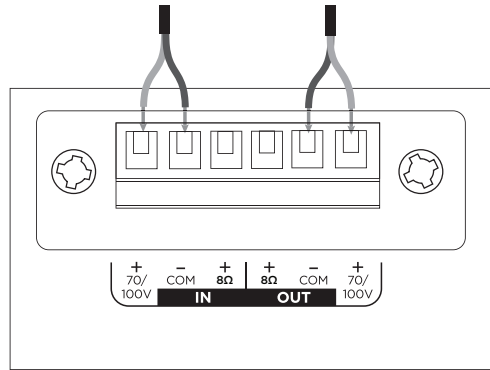
ワイヤーゲージ

DesignMax DM8SEで使用できるケーブル径は、18 AWG (0.8 mm²) ~14 AWG (2.1 mm²) のみです。

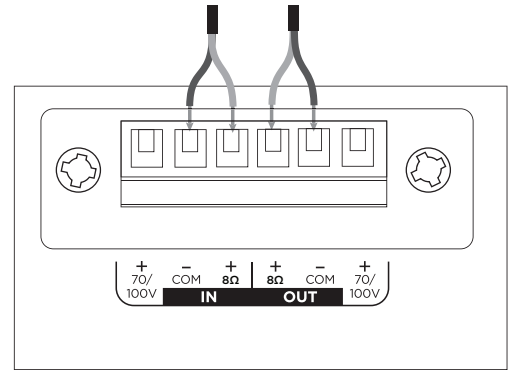
接続図

裸線を6 mm露出させて、端子に取り付けます。

注: スピーカーは固定導管での使用に対応していません。フレキシブル導管または配線接続のみに適しています。

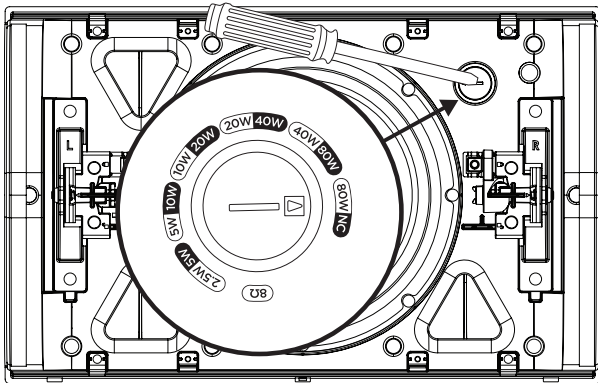


70V、100V



8 Ω

スピーカーの設定



70V						8 Ω
2.5W	5W	10W	20W	40W	80W*	
5W	10W	20W	40W	80W	NC**	
100V						

* 工場出荷時設定

** NC: 未接続 (使用しない)

トランスタップの設定

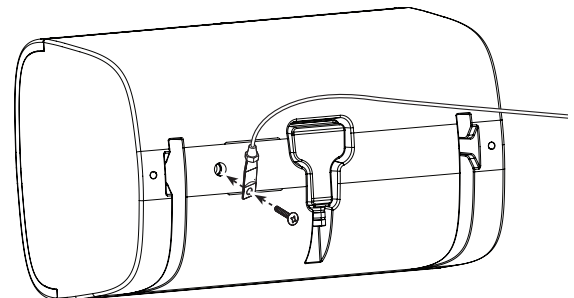
回転させてタップを設定します。マイナスドライバーを使用します。

安全ケーブルの使用

地域の法律によっては、二次的な方法を使ってスピーカーを固定して支えることで、安全性の強化を義務づけている場合があります。適用される建築基準や制限を満たす配置場所や配置方法、器具を選択してください。

エンクロージャーの背面にあるネジ式インサートを使用して、スピーカーに安全ケーブルを取り付けできます。

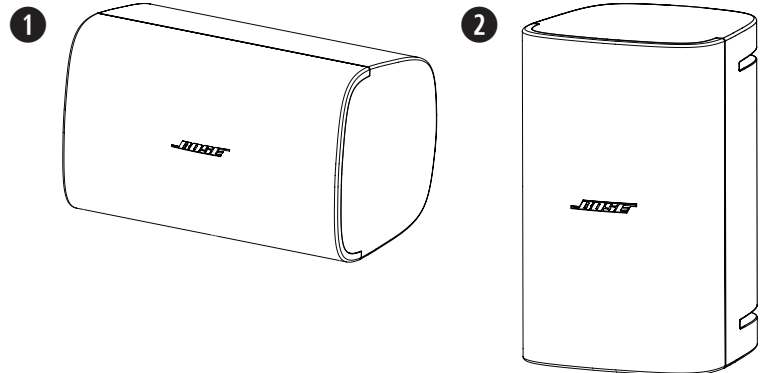
インサートは、長さ20 mmのM8ネジ (非付属品) が入るサイズです。



スピーカーの向き

設置に適したスピーカーの向きを選択します。

- ① 水平
- ② 垂直



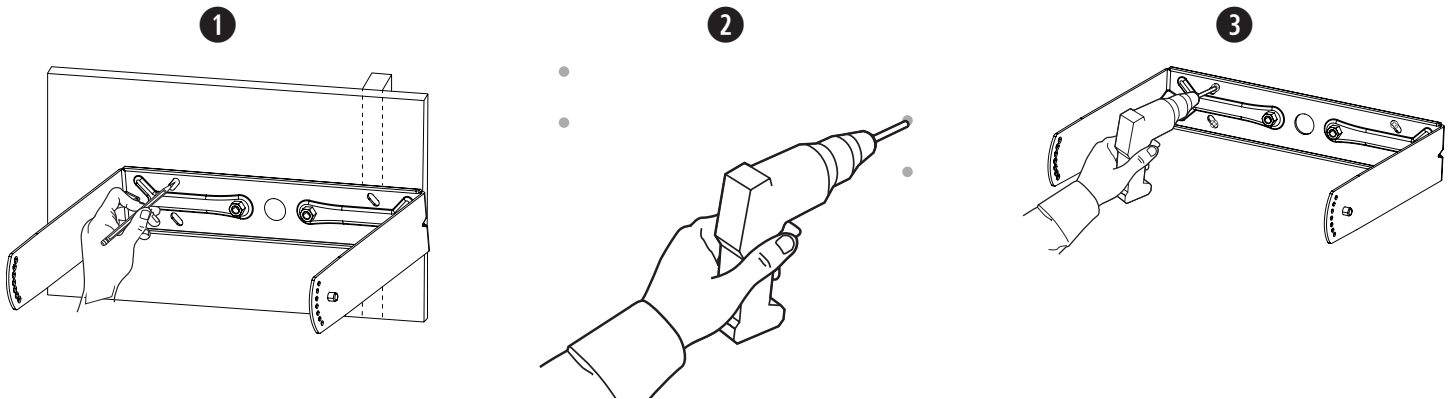
注 商用店舗の厨房など、食用油に直接さらされるおそれのある調理台の近くにスピーカーを設置すると、スピーカーの性能や機能が低下する場合があります。

ブラケットの取り付け

注 取り付け位置を決める際、取り付けブラケットの取り付けポイントの2か所以上を支持構造に固定する必要があります。取り付けポイントが支持構造にしっかり固定されない場合、取り付ける際に適切な補強器具を使用して固定してください。各地域の建築基準と要件すべてに適合する留め具を選択してください。

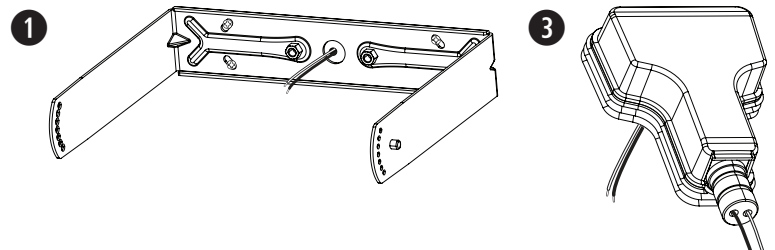
注 スピーカーの重量 (11.1 kg) を支えるのに適した留め具を選択してください。

1. 穴を空ける位置に印を付けます。
2. 壁に(使用する留め具の大きさの)穴を4つ開けます。
3. 4本のネジ(別売り)を使用して壁にブラケットを固定します。**注** M6または1/4インチのネジを使用してください。



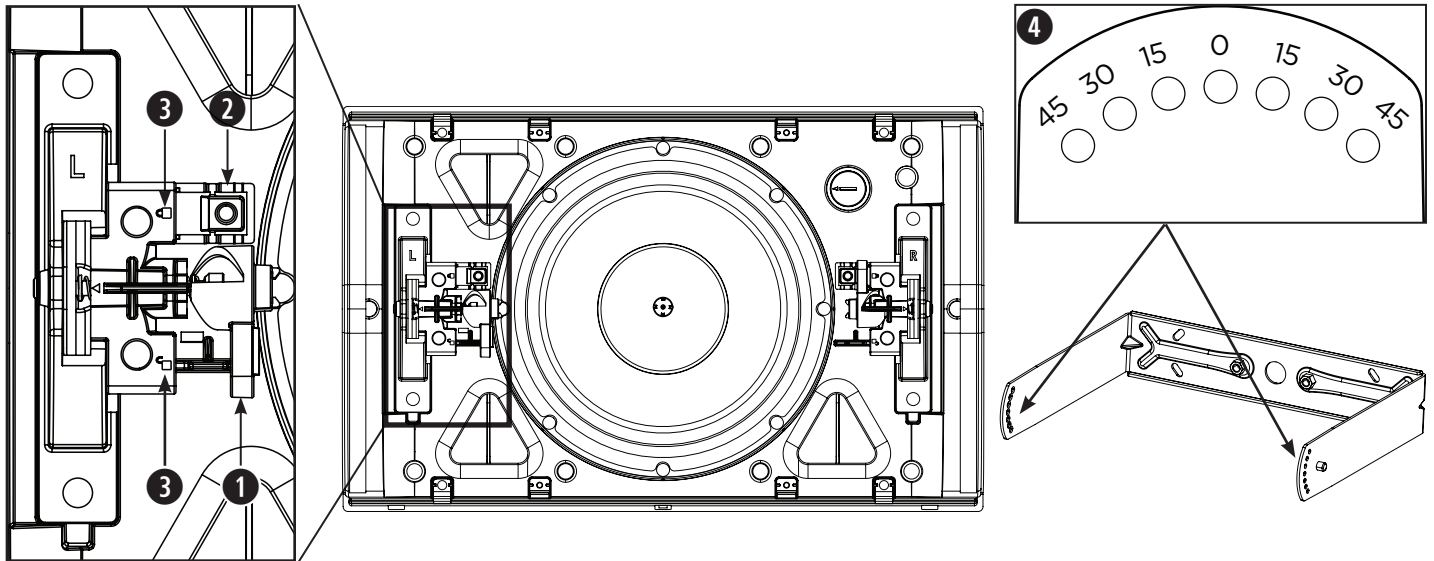
コネクターの配線

1. ブラケットの中央の穴にケーブルを通します。
2. スピーカーからコネクターを取り外します。
3. 耐候入力カバーを使用している場合は、入力カバーの底部にケーブルを通します。page 74ページの「耐候入力カバーを準備する」を参照してください。
4. コネクターを配線します。配線については詳しくは、page 75ページの「スピーカーの配線」を参照してください。



設置に関する重要な情報

- ① **ロックレバー:** 取り付けブラケットにスピーカーを固定するために使用します。ロックピンに向かってレバーを押してロックします。ロックピンとは逆方向にレバーを押してロックを解除します。
- ② **ロックピン:** ピンを下方方向に押してレバーのロックを解除します。
- ③ **ロックインジケータ:** ロックの方向を識別します。
- ④ **角度ラベル(ブラケット):** 希望する角度の位置を特定します。



スピーカーの設置

注: スピーカーの出荷時は、ロックレバーがテープで留められています。設置する前にテープを取り外してください。

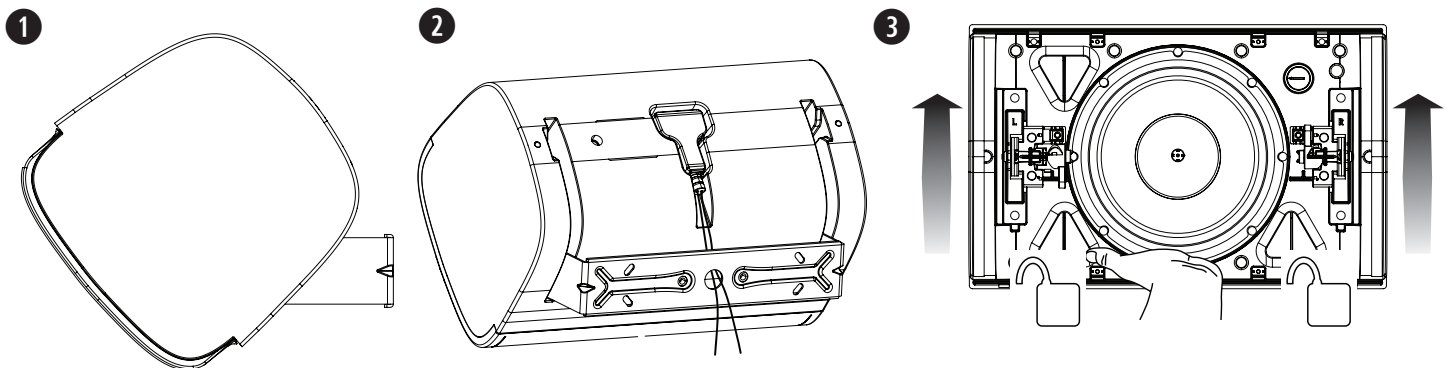
1. ブラケットにスピーカーを取り付け、スピーカーの角度が45°になるように調節し、レバーをロック位置に固定します。
2. 配線コネクタをスピーカーに取り付けます。
3. レバーのロックを解除して、スピーカーを希望の角度に調節します。スピーカーの角度を調節している間は、スピーカーの重量を確実に支えてください。

注: スピーカーの角度は、0°、15°、30°、45°に調節できます。

4. レバーをロック位置に固定します。



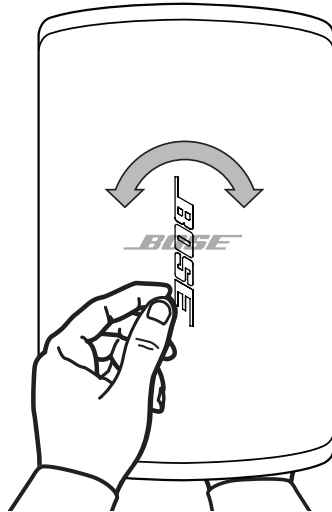
警告: 指示に沿ってレバーをロック位置に押し込まない場合、落下のリスクが生じ、機器への損傷、重症または死亡の原因となる可能性があります。手順に従って取り付け機構を設置することは施工業者の責任です。



ロゴの調節

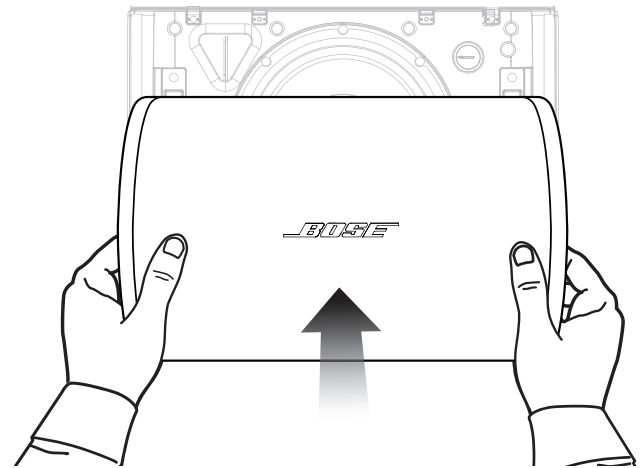
スピーカーの向きに合わせて、ボーズのロゴを回転できます。片方の手でグリル背面にあるボタンを押します。もう片方の手でロゴを回転させます。ロゴは時計回りまたは反時計回りに回転できます。

注 ロゴを取り外す意図がない限り、ボタンを内向きにつまむことはしないでください。



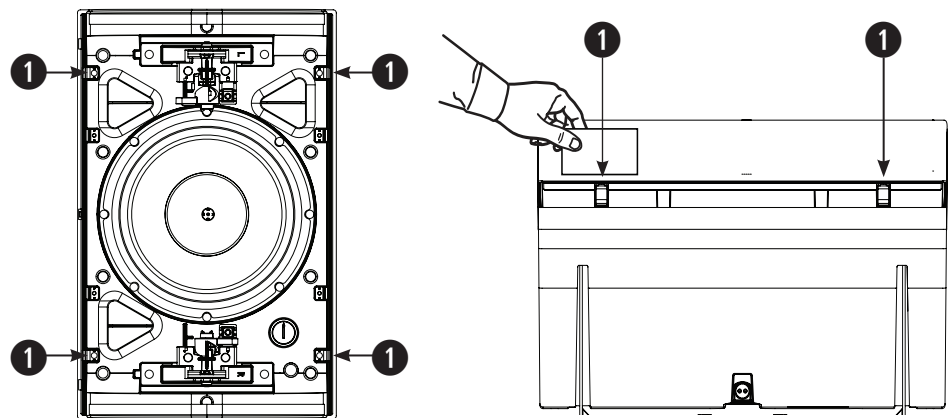
グリルの取り付け

スピーカーの正面にグリルを取り付け、しっかりと押して固定します。



グリルの取り外し

グリルのそれぞれの角の4か所に小さな開口部があります(1)。スピーカーの側面に沿って、小さい平らな工具をグリルの開口部に挿入し、リリースタブを取り外します。スピーカーからグリルを取り外します。



安全上のコンプライアンス

DesignMax DM8SEは幅広いテストに合格しており、次の仕様と用途に準拠しています。

ANSI/UL 1480A-2016のSpeakers for Commercial & Safety Professional Useに準拠

一般用途向けの使用 - UL Category UEAY/UEAY7、File Number S36835

水気の多い場所での使用に対応 - IEC 60529-2019準拠のIP55

DesignMax DM8SEは屋外の水気の多い場所での使用に対応しています。

NFPA 70、米国電気工事規程(2017年、第640条)に準拠したクラス1、クラス2、クラス3の配線による設置に対応

DesignMax DM8SEは、組み合わせシステム向けに以下の欧州規制仕様で規定されている要件に適合するように設計されています。

IEC60268-5、2007年のテストを実施

ترجى قراءة كل تعليمات السلامة والاستخدام والاحتفاظ بها.

يقصر تركيب هذا المنتج على فنيي التركيب المحترفين فقط! يهدف هذا المستند إلى تزويد فنيي التركيب المحترفين بإرشادات التركيب والسلامة الأساسية لهذا المنتج في أنظمة التركيب الثابت القياسية. يرجى قراءة هذا المستند وكل تحذيرات السلامة قبل محاولة التركيب.

لا تحاول صيانة هذا المنتج بنفسك. وقم بإحالة كل أعمال الصيانة إلى مراكز الخدمة المعتمدة Bose Professional أو فنيي التركيب أو الفنيين أو التجار أو الموزعين المعتمدين. للتواصل مع شركة Bose Professional أو للعثور على تاجر أو موزع بالقرب منك، تفضل بزيارة الموقع الإلكتروني BoseProfessional.com.

1. اقرأ هذه التعليمات.
2. احتفظ بهذه التعليمات.
3. انتبه لكل التحذيرات.
4. اتبع كل التعليمات.
5. تجنّب سدّ أي فتحات تهوية. وربّك المنتج وفق تعليمات الشركة المُصنّعة.
6. تجنّب تركيب المنتج بالقرب من أي مصادر حرارة مثل مدافئ الرادياتير أو مخارج الهواء الساخن أو المواقد أو أي جهاز آخر (بما في ذلك مكبرات الصوت) يصدر حرارة.
7. لا تستخدم سوى المرفقات/الملحقات التي تحددها الشركة المُصنّعة.

المعلومات التنظيمية

يتوافق هذا المنتج مع كل متطلبات توجيه الاتحاد الأوروبي المعمول بها. ويمكن العثور على إعلان التوافق الكامل في الصفحة الخاصة بالمنتج على الموقع الإلكتروني: BoseProfessional.com



هذا الرمز يعني أنه يجب عدم التخلص من المنتج كفضلات منزلية، ويجب تسليمه إلى منشأة تجميع مناسبة لإعادة تدويره. يساعد التخلص السليم من المنتج وإعادة تدويره على حماية الموارد الطبيعية وصحة الإنسان والبيئة. لمعرفة مزيد من المعلومات عن كيفية التخلص من هذا المنتج وإعادة تدويره، تواصل مع المجلس المحلي أو موفر خدمة التخلص من الأجهزة الكهربائية أو المتجر الذي اشتريته منه هذا المنتج.



جدول المواد الخطرة المقيد استخدامها في الصين

اسماء المواد والعناصر السامة أو الخطرة ومحتوياتها						
المواد والعناصر السامة أو الخطرة						
اسم الجزء	الرصاص (Pb)	الزئبق (Hg)	الكاديوم (Cd)	الكروم سداسي التكافؤ (Cr(VI))	ثنائي الفينيل متعدد البروم (PBB)	الإثير ثنائي الفينيل متعدد البروم (PBDE)
لوحات الدوائر المطبوعة	X	O	O	O	O	O
الأجزاء المعدنية	X	O	O	O	O	O
الأجزاء البلاستيكية	O	O	O	O	O	O
مكبرات الصوت	X	O	O	O	O	O
الكابلات	X	O	O	O	O	O

أعدّ هذا الجدول وفق أحكام معيار SJ/T 11364.

O: يشير هذا الرمز إلى أن هذه المادة السامة أو الخطرة الموجودة في كل المواد المتجانسة لهذا الجزء GB/T 26572 أقل من حد المتطلبات الوارد في معيار.

X: يشير هذا الرمز إلى أن هذه المادة السامة أو الخطرة الموجودة في واحدة على الأقل من المواد المتجانسة المستخدمة لهذا الجزء أعلى من حد المتطلبات الوارد في معيار GB/T 26572.

جدول المواد الخطرة المقيد استخدامها في تايوان

اسم الجهاز: DesignMax DM8SE، رمز الجهاز: 892116						
المواد المحظورة ورموزها الكيميائية						
الوحدة	الرصاص (Pb)	الزئبق (Hg)	الكاديوم (Cd)	الكروم سداسي التكافؤ (Cr+6)	ثنائي الفينيل متعدد البروم (PBB)	الإثيرات ثنائية الفينيل متعددة البروم (PBDE)
لوحات الدوائر المطبوعة	-	O	O	O	O	O
الأجزاء المعدنية	-	O	O	O	O	O
الأجزاء البلاستيكية	O	O	O	O	O	O
مكبرات الصوت	-	O	O	O	O	O
الكابلات	-	O	O	O	O	O

الملاحظة 1: "O" يشير هذا الرمز إلى أن النسبة المئوية لمحتوى المادة المقيدة لا تتجاوز النسبة المئوية للقيمة المرجعية لوجودها في الوحدة المقيدة.

الملاحظة 2: يشير الرمز "-" إلى أن المادة المقيدة مفعلة.

تاريخ الصنع: يدل الرقم الثامن في الرقم التسلسلي على سنة الصنع، ويعني الرقم "7" إما 2007 و.إما 2017

المستورد في الاتحاد الأوروبي: Transom Post Netherlands B.V., Keizersgracht 391A, 1016 EJ, Amsterdam Netherlands UK, Squires House 205a High Street, West Wickham, BR4 OPH | المستورد في اليابان: Transom Post International Japan KK Co., Ltd. PMO | المستورد في أستراليا: Transom Post Australia Pty. Ltd., Level 14, 60 Margaret Street, Sydney, NSW 2000 المستورد في الصين: Transom Post (Shanghai) Audio Co. Ltd Room 2209, Building 1, 175 Longyao Road, Xuhui District, Shanghai POST INTL MEXICO, S. DE R.L. DE C.V. Insurgentes Sur No. 1079, 1st floor, Colonia Noche Buena, Benito Juárez, C.P. 03270, Mexico City المستورد في الإمارات العربية المتحدة: 102 A, برج سماء شارع الشيخ زايد، دبي الإمارات العربية المتحدة

إنّ Bose علامة تجارية مملوكة لشركة Bose Corporation.

DesignMax علامة تجارية مملوكة لشركة Transom Post OpCo LLC.

Bose Professional, 117 South St, Hopkinton, MA 01748 USA

حقوق الطبع والنشر © لعام 2024 محفوظة لمصلحة شركة Transom Post OpCo LLC.

لا يجوز نسخ أي جزء من هذا المحتوى أو تعديله أو توزيعه أو استخدامه بأي شكل آخر من دون إذن كتابي سابق.

معلومات الضمان

هذا المنتج مشمول بضمان محدود.

BoseProfessional.com/Warranty. لمعرفة تفاصيل الضمان، تفضل بزيارة

القيم المقدّرة للمنتج:

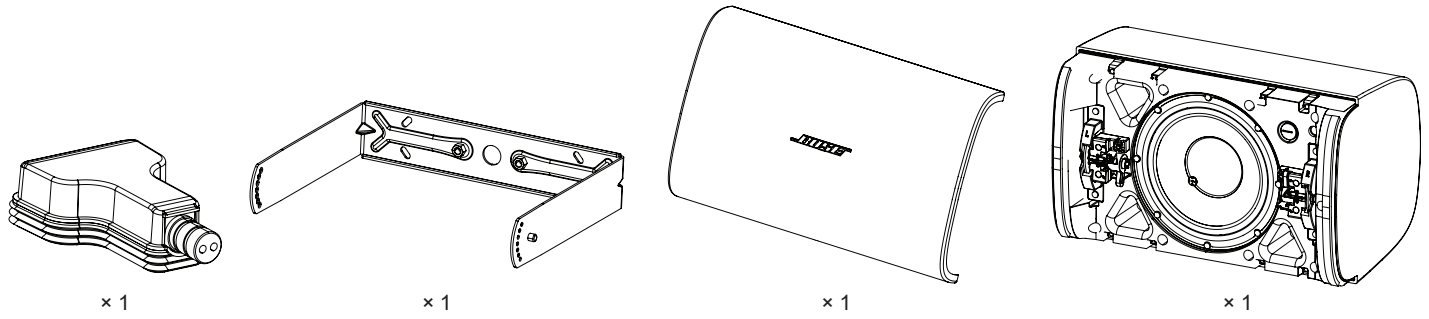
جهد الدخل: 70 فولت/100 فولت

المعاوقة: 8 أوم، 125 واط

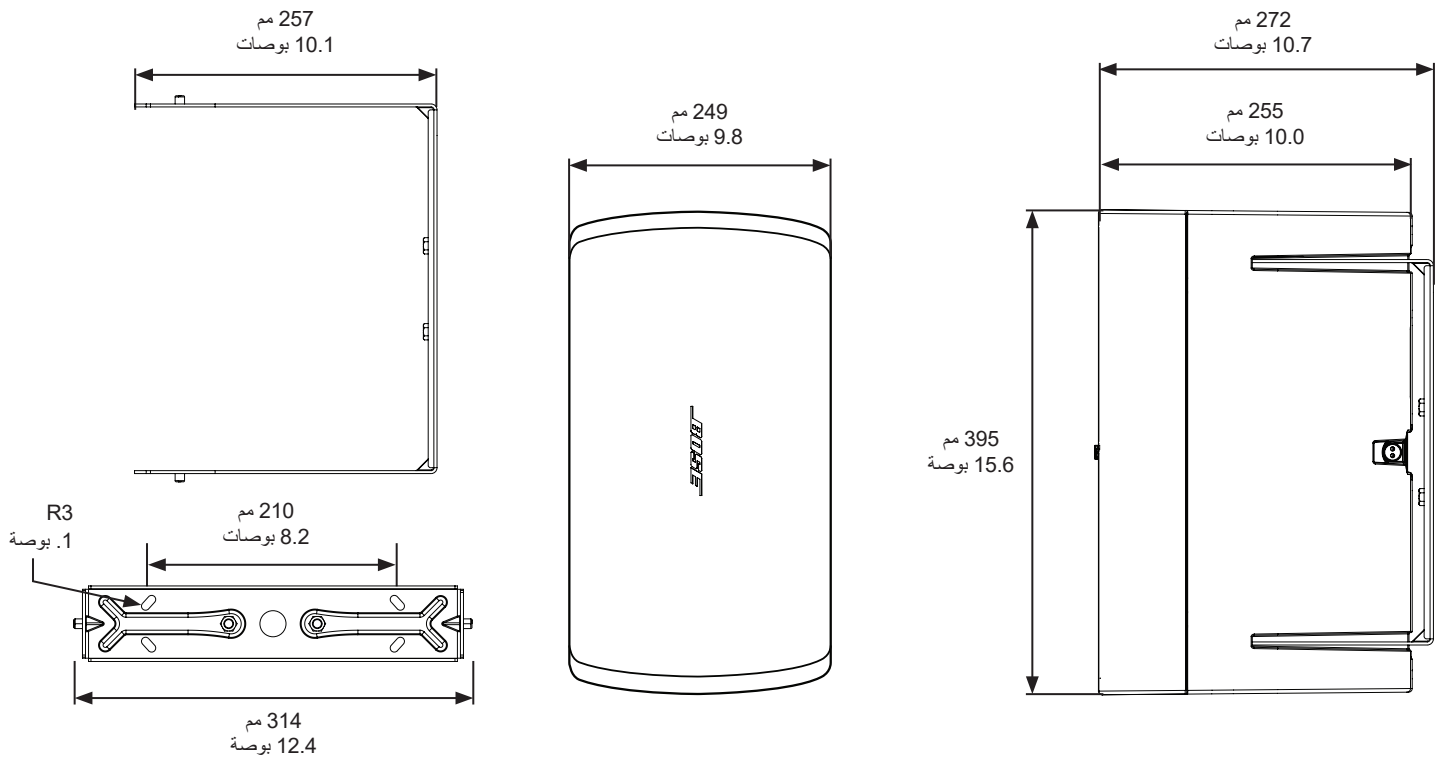
استهلاك التيار أو الطاقة: (70 فولت): 2.5 واط، 5 واط، 10 واط، 20 واط، 40 واط، 80 واط،

(100 فولت): 5 واط، 10 واط، 20 واط، 40 واط، 80 واط

محتويات العبوة



أبعاد المنتج



معلومات التركيب المهمة

قبل تركيب مكبر الصوت، راجع تعليمات السلامة المهمة في الصفحة 2.



مناسب لتطبيقات تركيب مكبرات الصوت للأغراض العامة، تأخذ الملاءمة EN60529 وفق المعيار IP55 البيئية تصنيف.

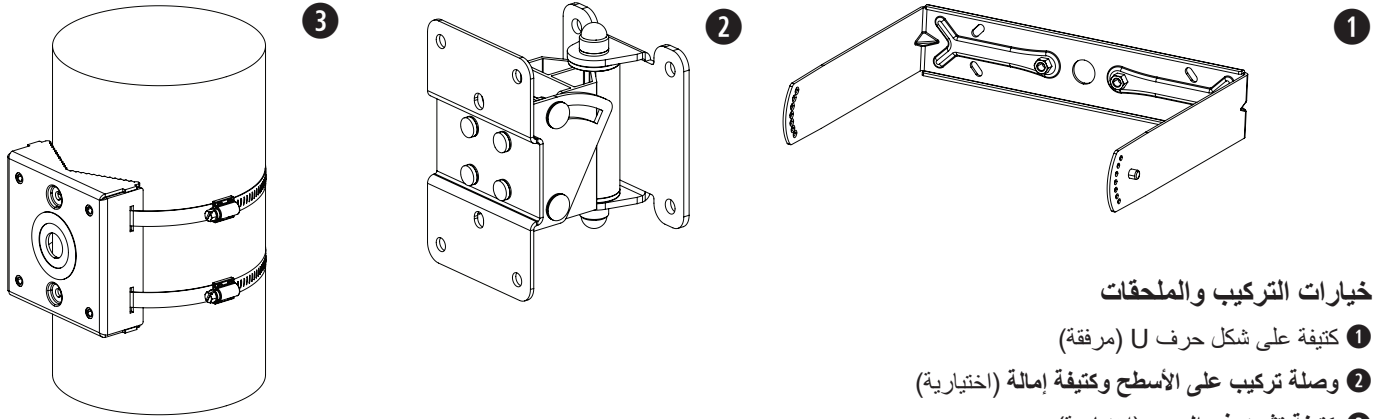


المواصفات الفنية

لمعرفة مزيد من المواصفات، راجع مستند البيانات لمكبر الصوت DesignMax DM8SE على BoseProfessional.com.

المواصفات المادية	
الوزن الصافي، مكبر الصوت مع الشبكة والكتيفة	11.1 كجم (24.5 رطلاً)
الوزن عند الشحن	13 كجم (28.5 رطلاً)
الملاءمة البيئية	مناسب للاستخدام في الأماكن الرطبة تصنيف IEC 60529, 2019 وفق المعيار IP55

خيارات التركيب



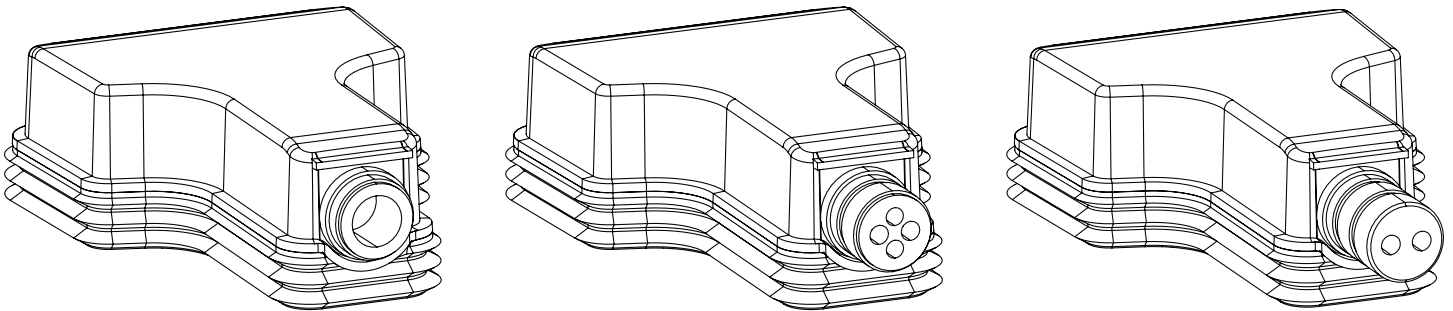
خيارات التركيب والملحقات

- ① كتيفة على شكل حرف U (مرفقة)
- ② وصلة تركيب على الأسطح وكتيفة إمالة (اختيارية)
- ③ كتيفة تثبيت في العمود (اختيارية)

فتحة واسعة

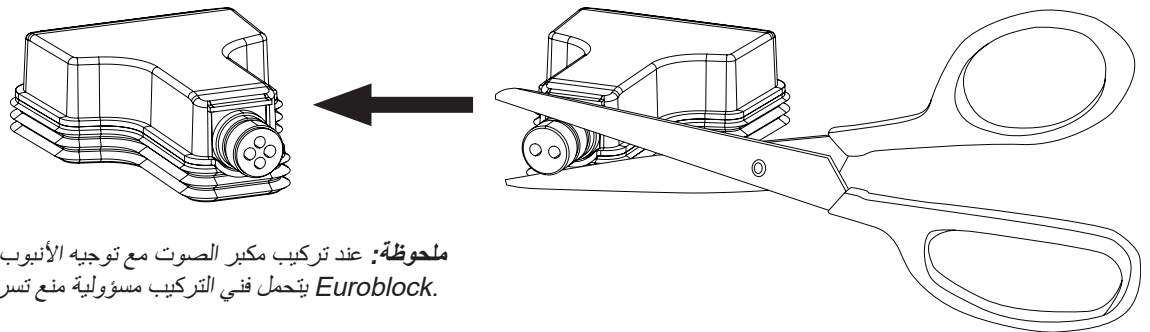
داخل وخارج

داخل فقط

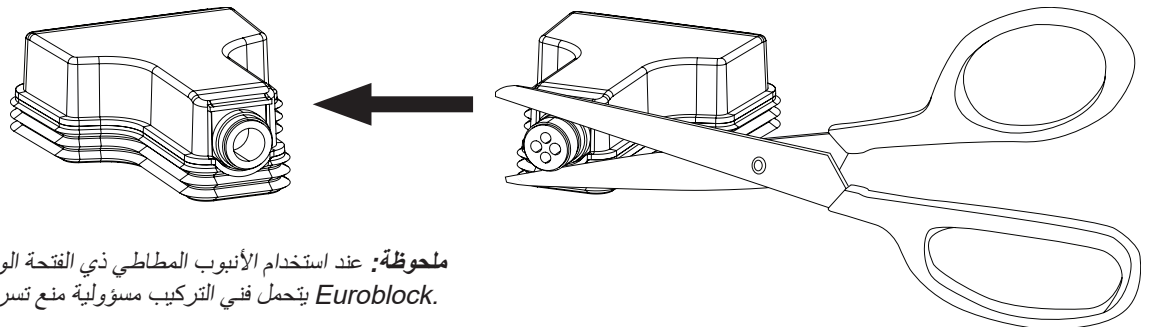


إعداد غطاء الداخل المقاوم للعوامل الجوية

صُمم غطاء الداخل المقاوم للعوامل الجوية لثلاثة سيناريوهات مختلفة لتوصيل الأسلاك (انظر أعلاه). لتغيير تكوين غطاء الداخل لدعم سيناريو توصيل الأسلاك لديك، اقطع الجزء المثقوب في الأنبوب المطاطي.



ملحوظة: عند تركيب مكبر الصوت مع توجيه الأنبوب المطاطي إلى الأعلى، *Euroblock* يتحمل فني التركيب مسؤولية منع تسرب المياه ودخولها إلى موصل.



ملحوظة: عند استخدام الأنبوب المطاطي ذي الفتحة الواسعة للتركيب، *Euroblock* يتحمل فني التركيب مسؤولية منع تسرب المياه إلى موصل.

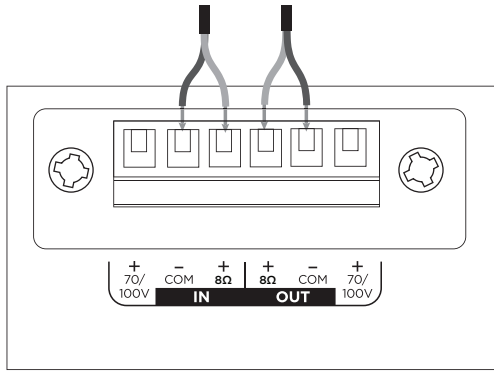
توصيل أسلاك مكبر الصوت

مقاس الأسلاك

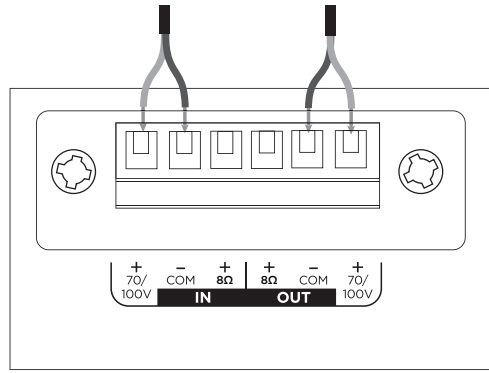
صُمم مكبر الصوت DesignMax DM8SE للاستخدام مع أسلاك مقاس 18 (0.8 مم²) إلى مقاس 14 (2.1 مم²) بالحجم الأمريكي فقط.

مخططات التوصيل

قم بتعبئة ستة مليمترات (4/1 بوصة) من الأسلاك لتوصيلها بالأطراف.



8 أوم



70 فولت/100 فولت

ملحوظة: مكبر الصوت غير مصنف للاستخدام مع أنبوب صلب. ويكون مناسبًا للاستخدام مع أنبوب مرن أو التوصيلات السلكية فقط.

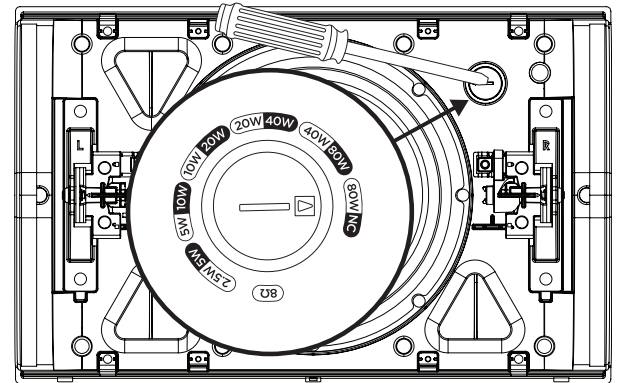
إعدادات مكبر الصوت

		70 فولت					
8 أوم		80 واط*	40 واط	20 واط	10 واط	5 واط	2.5 واط
		**NC	80 واط	40 واط	20 واط	10 واط	5 واط
		100 فولت					

* الإعداد الافتراضي من المصنع ** NC: لا يوجد اتصال (لا تستخدمه)

إعداد تفريغ المحول

اضبط التفريغ عن طريق التدوير. استخدم مفك براغي ذا رأس مسطح.

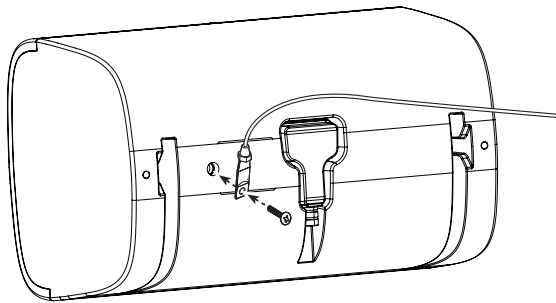


استخدام كابل أمان

تتطلب بعض قوانين البناء الإقليمية استخدام طريقة ثانوية لتأمين مكبرات الصوت لدعم البنية لتوفير مزيد من الأمان. اختر وضع التثبيت وطريقة التثبيت والأدوات المتوافقة مع قوانين البناء المحلية ولوائحه.

يمكن توصيل كابل أمان بمكبر الصوت باستخدام الوليجة المولدة الموجودة في الجزء الخلفي من الحاوية.

حجم الوليجة مناسب لبرغي مقاس M8 (غير مرفق) بعمق 20 مم (0.79 بوصة).

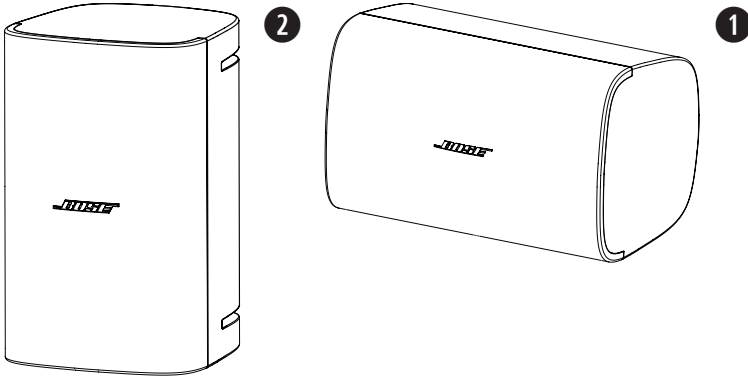


توجيه مكبر الصوت

اختر توجيه مكبر الصوت الأنسب للتركيب لديك.

1 أفقي

2 عمودي



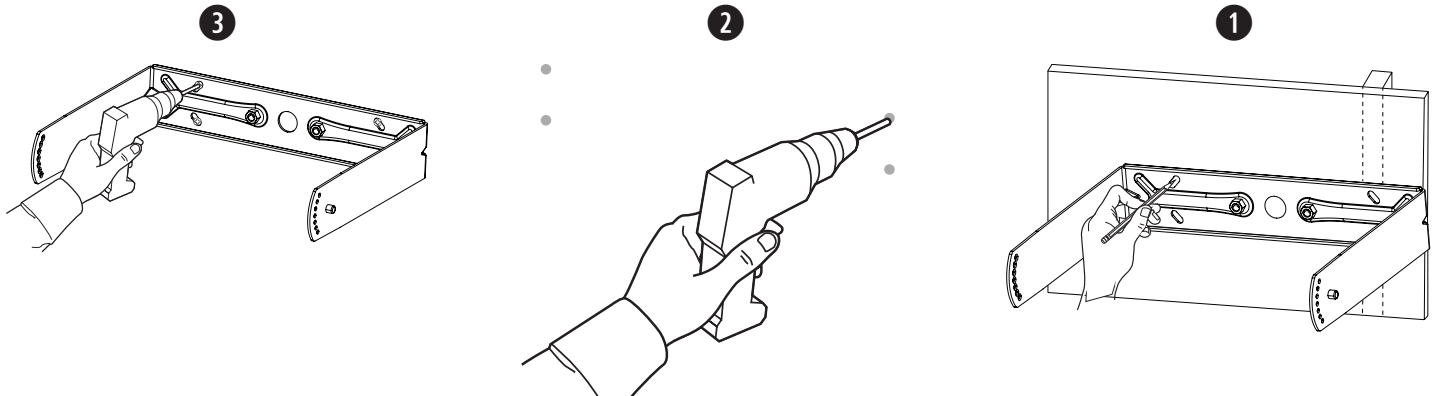
ملحوظة: إنَّ التركيب بالقرب من أسطح الطهي حيث قد يتعرض مكبر الصوت لزيوت الطهي مباشرةً، كما هو الحال في بيئات الطهي التجارية، قد يقلل أداء مكبر الصوت أو وظيفته.

تركيب الكتيفة

ملحوظة: عند اختيار موقع التركيب، يجب تثبيت نقطتين على الأقل من نقاط ربط كتيفة التثبيت في بنية دائمة. ويجب تثبيت نقاط الربط غير المثبتة في بنية دائمة باستخدام الأدوات المناسبة للتركيب. اختر أدوات التثبيت التي تتوافق مع كل قوانين البناء المحلية ومتطلباته.

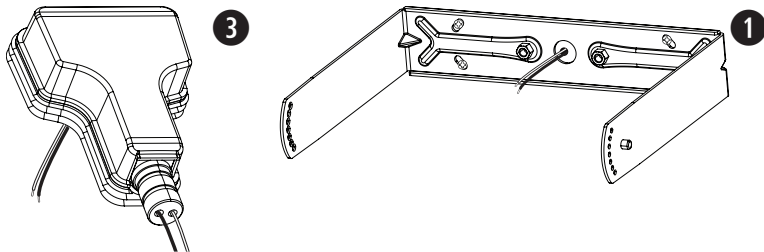
ملحوظة: اختر أدوات تثبيت مناسبة لدعم وزن مكبر الصوت (11.1 كجم [24.5 رطلاً]).

1. حدد أماكن فتحات الثقب.
2. احفر أربعة ثقوب (بحجم يتناسب مع أدوات التثبيت المناسبة) في الجدار.
3. ثبت الكتيفة على الحائط بأربعة براغي (غير مرفقة). **ملحوظة:** استخدم براغي مقاس M6 أو 4/1 بوصة.



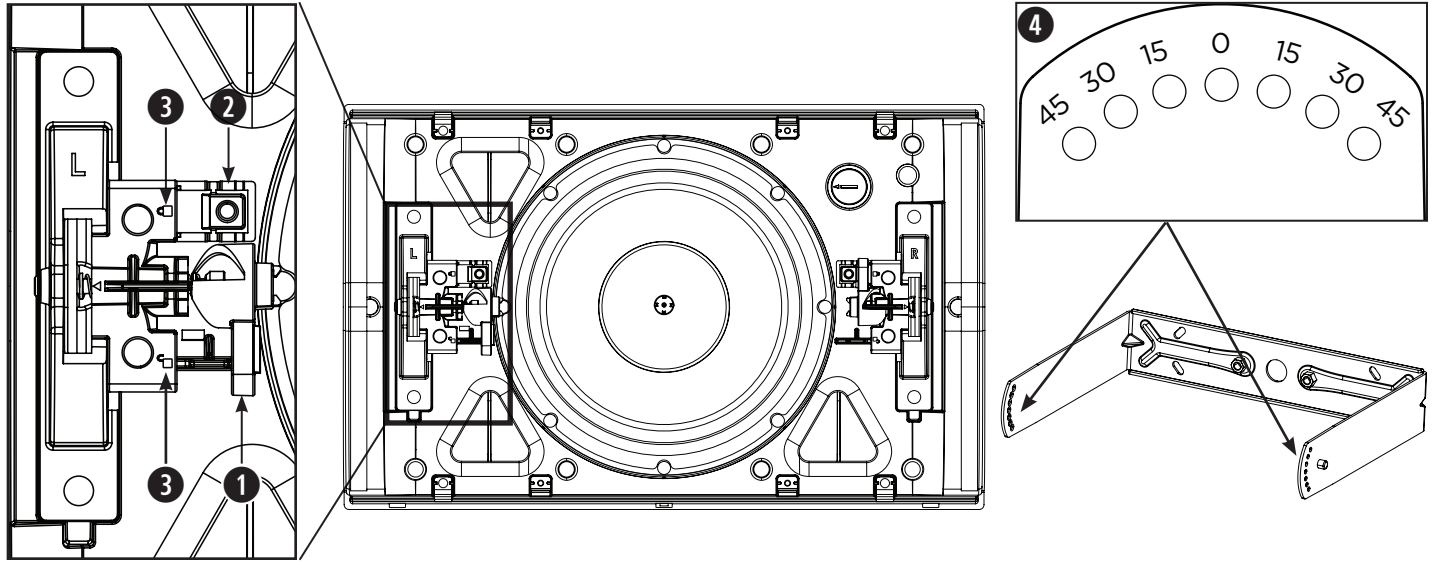
توصيل أسلاك الموصل

1. مرر الأسلاك عبر الفتحة المركزية في الكتيفة.
2. فك الموصل من مكبر الصوت.
3. في حال استخدام غطاء الداخل المقاوم للعوامل الجوية، أدخل الأسلاك عبر الجزء السفلي من غطاء الداخل. راجع إعداد غطاء الداخل المقاوم للعوامل الجوية في الصفحة 81 page.
4. وصل أسلاك الموصل للحصول على معلومات عن توصيل الأسلاك، راجع توصيل أسلاك مكبر الصوت في الصفحة 82 page.



معلومات التثبيت المهمة

- 1 أنزع التثبيت: تُستخدم لتثبيت مكبر الصوت في كتيفة التثبيت. ادفع أذرع التثبيت باتجاه مسامير التثبيت للقفل، وادفع أذرع التثبيت بعيدًا عن مسامير التثبيت للفتح.
- 2 مسامير التثبيت: اضغط على المسامير لأسفل لإلغاء تثبيت الأذرع.
- 3 مؤشرات القفل: تحدد اتجاه القفل.
- 4 علامات الزوايا (على الكتيفة): تحدد موضع الزاوية الذي تريده.

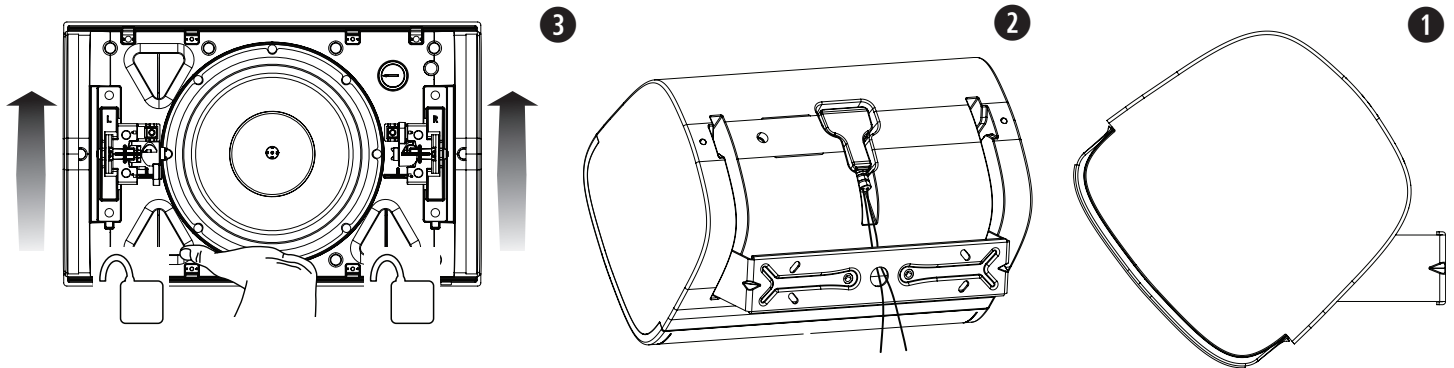


تركيب مكبر الصوت

ملحوظة: يتم شحن مكبر الصوت مع لصق أذرع القفل بشريط. أزل الشريط قبل التركيب.

1. قم بتوصيل مكبر الصوت بالكتيفة، واضبط اتجاه مكبر الصوت بزاوية 45 درجة، وثبت أذرع التثبيت في مكانها.
 2. قم بتوصيل الموصل السلكي بمكبر الصوت.
 3. افتح أذرع التثبيت واضبط اتجاه مكبر الصوت حسب الزاوية التي تريدها. وتأكد من دعم وزن مكبر الصوت في أثناء ضبط زاويته.
- ملحوظة:** يمكن ضبط زاوية مكبر الصوت على 0 درجة أو 15 درجة أو 30 درجة أو 45 درجة.
4. ثبت أذرع التثبيت في مكانها.

تحذير: قد يؤدي عدم دفع أذرع التثبيت إلى وضع القفل كما سبق توضيحه إلى خطر سقوط مكبر الصوت، ما قد يؤدي إلى تلف الممتلكات أو التعرض لإصابة خطيرة أو الوفاة. ويتحمل فني التركيب مسؤولية التأكد من تركيب نظام التثبيت وفق التعليمات.



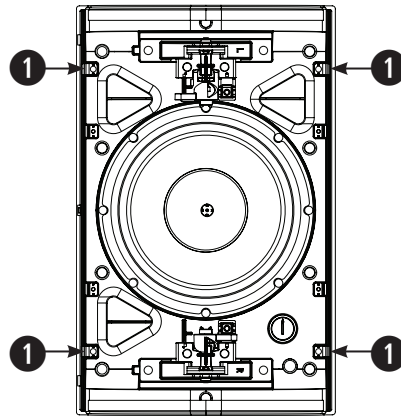
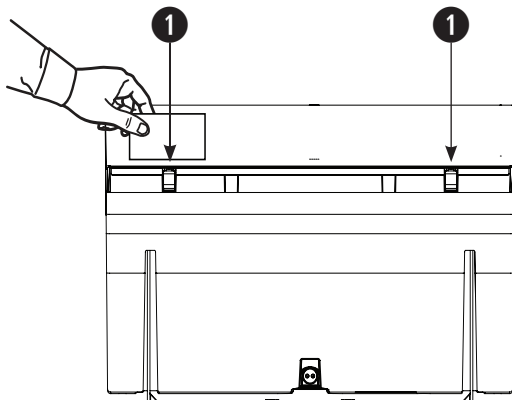
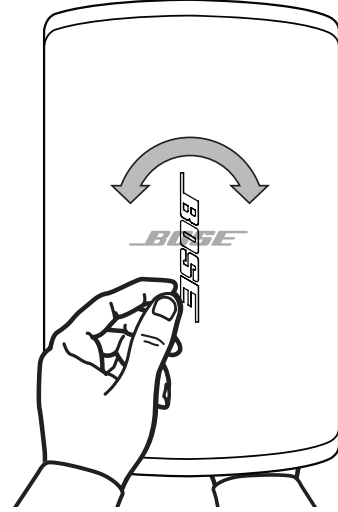
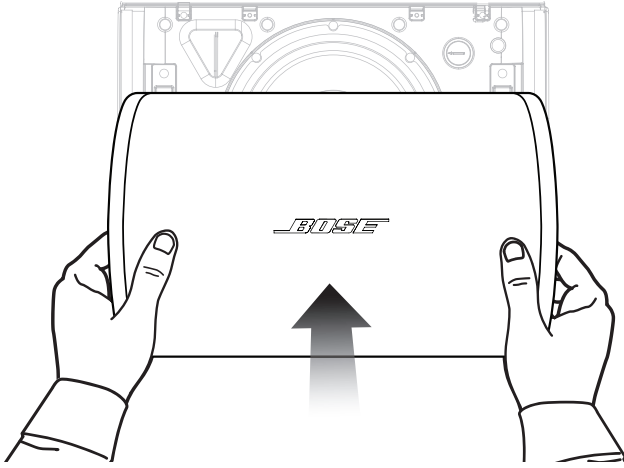
تركيب الشبكة

ضبط الشعار

ضع الشبكة على الجزء الأمامي من مكبر الصوت واضغط عليها جيدًا حتى تثبت في مكانها.

يمكنك تدوير شعار Bose لمحاذاته مع اتجاه مكبر الصوت. بإحدى يديك، اضغط على الزر الموجود في الجزء الخلفي من الشبكة. وقم بتدوير الشعار باليد الأخرى. ويمكن تدوير الشعار في اتجاه عقارب الساعة أو عكس اتجاه عقارب الساعة.

ملحوظة: لا تضغط على الزر للداخل إلا إذا كنت تنوي إزالة الشعار.



إزالة الشبكة

توجد فتحة صغيرة في كل زاوية من زوايا الشبكة الأربع (1). أدخل أداة صغيرة مسطحة في فتحات الشبكة على جانبي مكبر الصوت لفتح الألسنة. اسحب الشبكة بعيدًا عن مكبر الصوت.

السلامة والامتثال التنظيمي

لقد اجتاز مكبر الصوت DesignMax DM8SE اختبارات الجودة ويتوافق مع المواصفات والاستخدامات الآتية:

مدرجان ضمن معيار ANSI/UL 1480A-2016، لمكبرات الصوت ذات الاستخدام التجاري والاحترافي الموفر للسلامة

الاستخدام للأغراض العامة - فئة UEAY/UEAY7 الحاصلة على اعتماد UL، رقم الملف S36835

مناسب للاستخدام في الأماكن الرطبة - تصنيف IP55 وفق المعيار IEC 60529, 2019

يعد DesignMax DM8SE مناسبًا للاستخدام في الخارج في الأماكن الرطبة.

مناسب للتركيب باستخدام طرق توصيل الأسلاك من الفئة 1 أو الفئة 2 أو الفئة 3 بما يتوافق مع NFPA 70، المواصفات القياسية الكهربائية الأمريكية، لعام

2017،

المادة 640

تم تصميم مكبر الصوت DesignMax DM8SE وفق المتطلبات المحددة في المواصفة التنظيمية الأوروبية الآتية لأنظمة التجميع:

تم اختباره وفق المعيار IEC60268-5, 2007



893806-0010

©2024 Transom Post OpCo LLC. All rights reserved.
BoseProfessional.com
AM893806 Rev. 00
June 2024