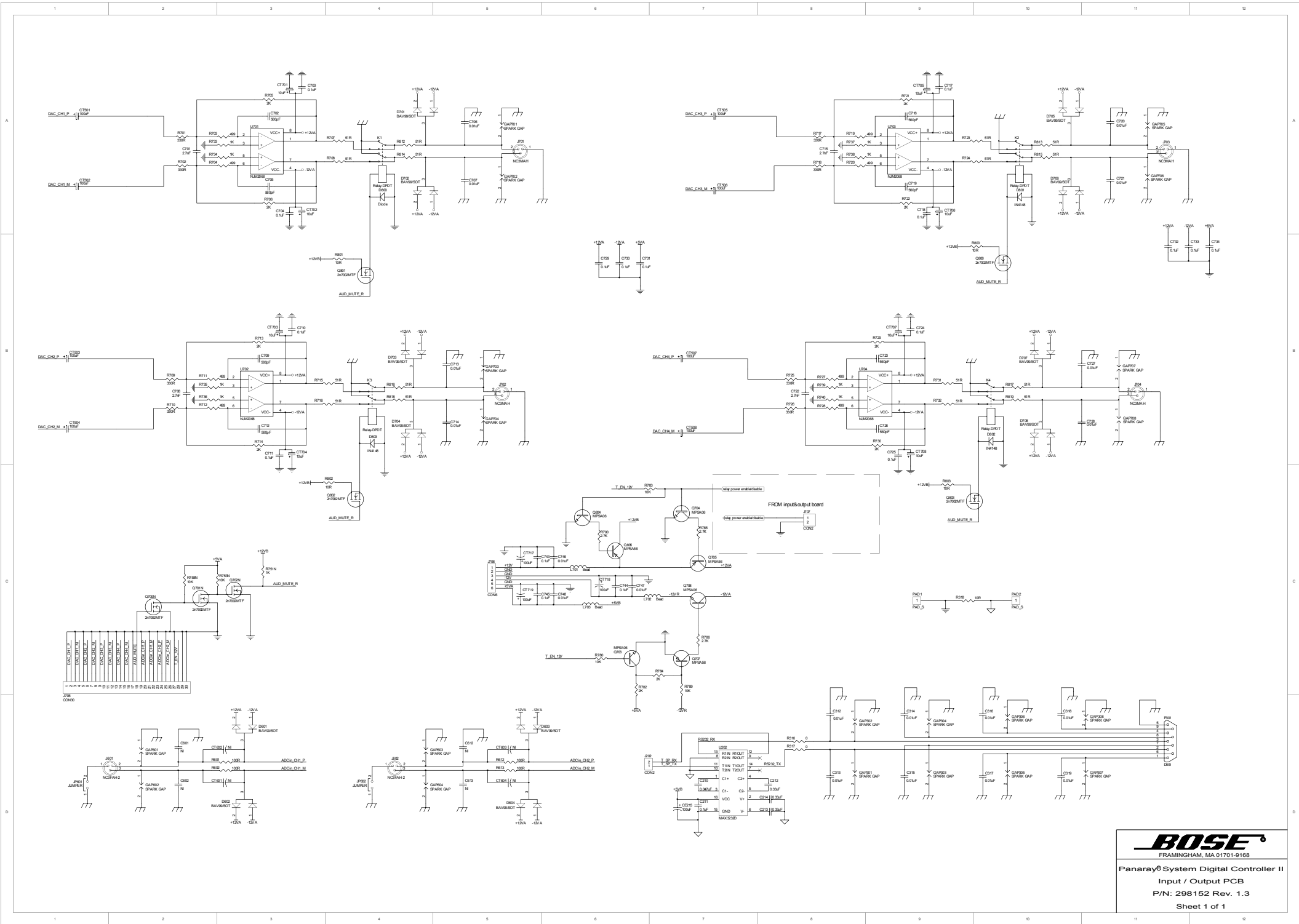
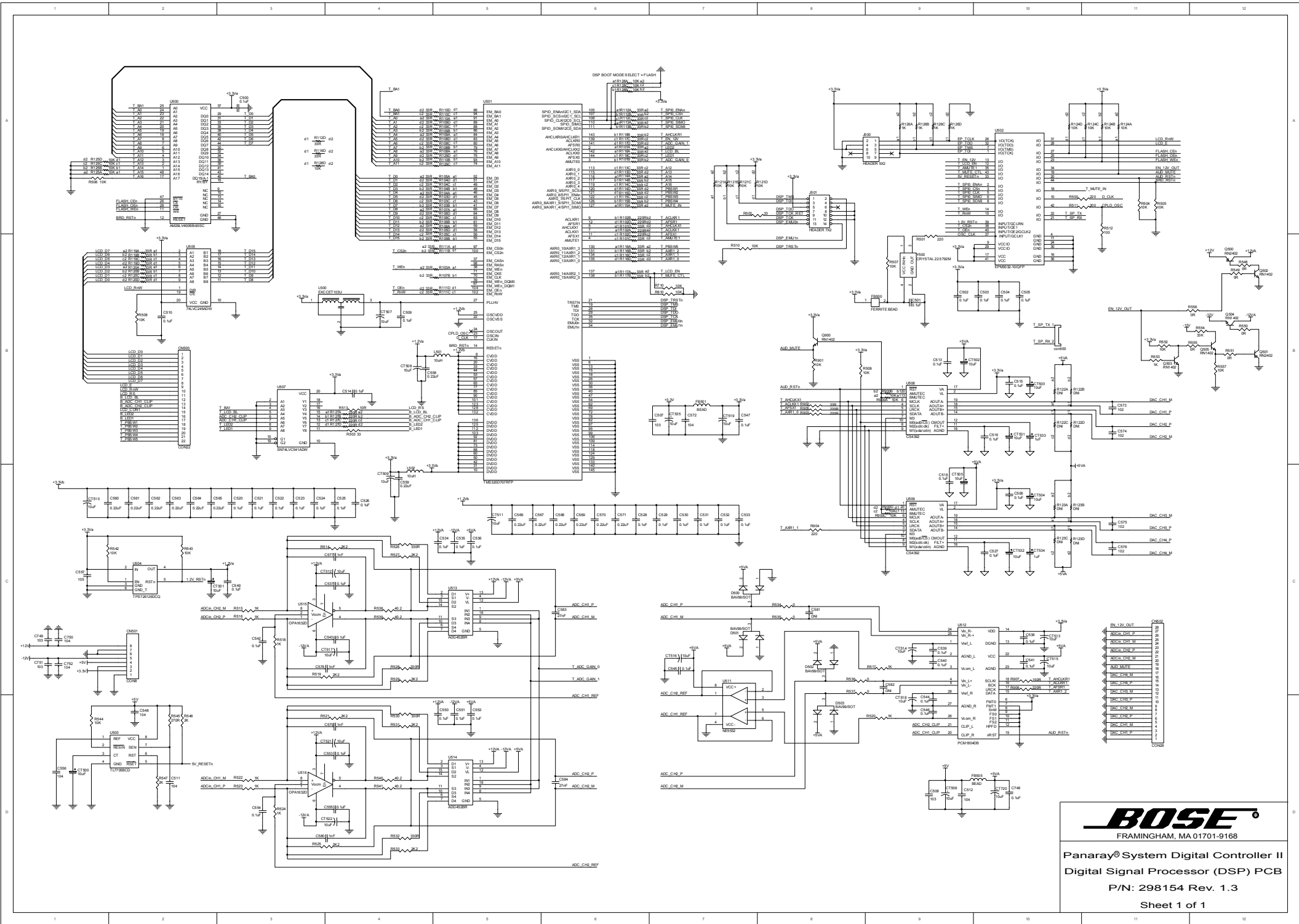
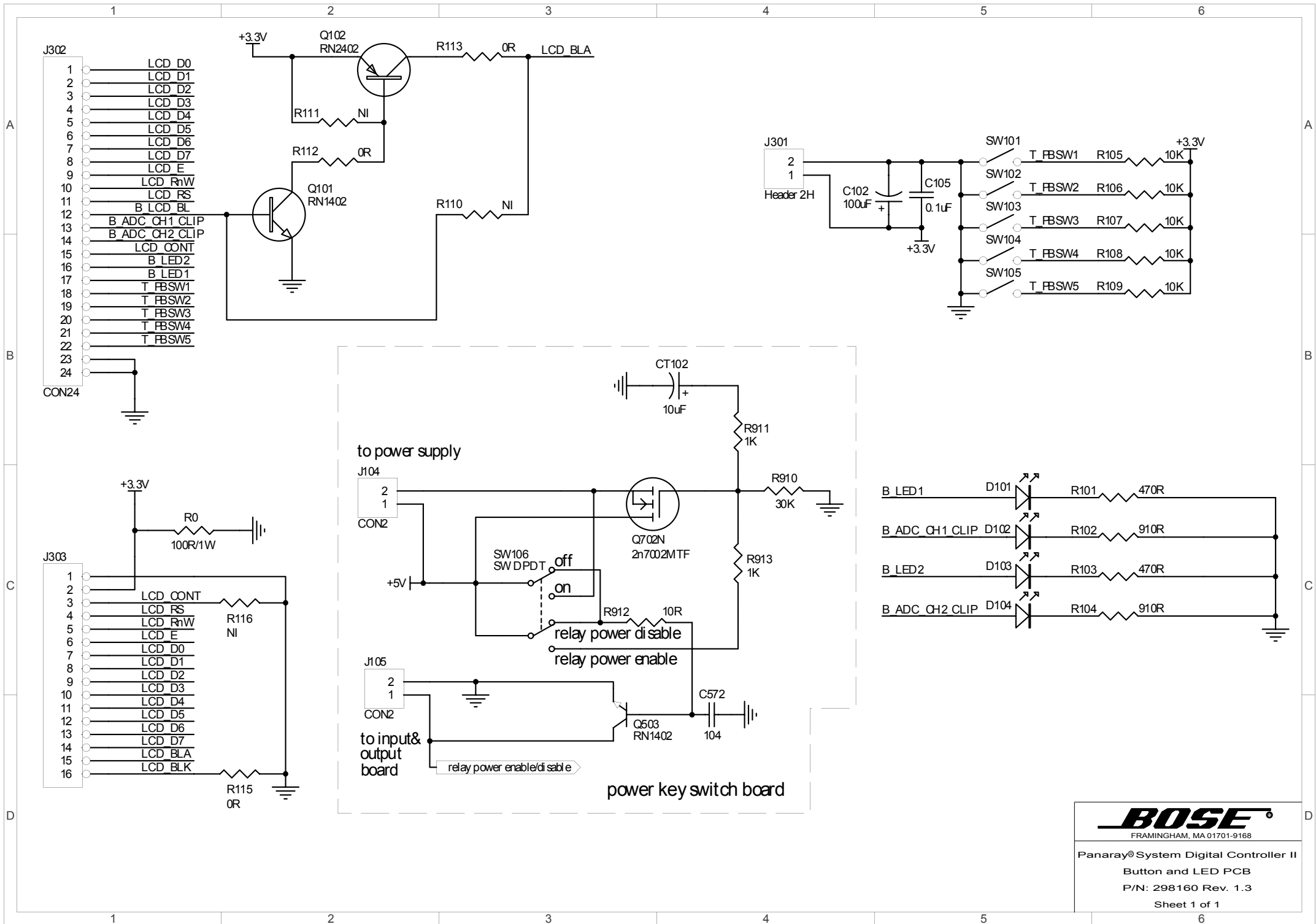


Panaray® System Digital Controller II  
 Switch Mode Power Supply PCB  
 P/N: 298155 Rev. 1.2  
 Sheet 1 of 1







FRAMINGHAM, MA 01701-9168

Panaray® System Digital Controller II  
Button and LED PCB

P/N: 298160 Rev. 1.3

Sheet 1 of 1