

PowerShare™ PS602/PS602P/PS604  
 SMPS PCB ASSEMBLY  
 PCB P/N: 747922-001S, -002S  
 REVISION A3  
 SHEET 1 OF 10

- Notes:
- 1)NC: The part is not connect
  - 2)\*\*:Please refer to the remark
  - 3)Unless otherwise marked,all resistor is 1/16W,0603
  - 4)Unless otherwise marked,all capacitors voltage is 50V

6

5

4

3

2

1

D

D

C

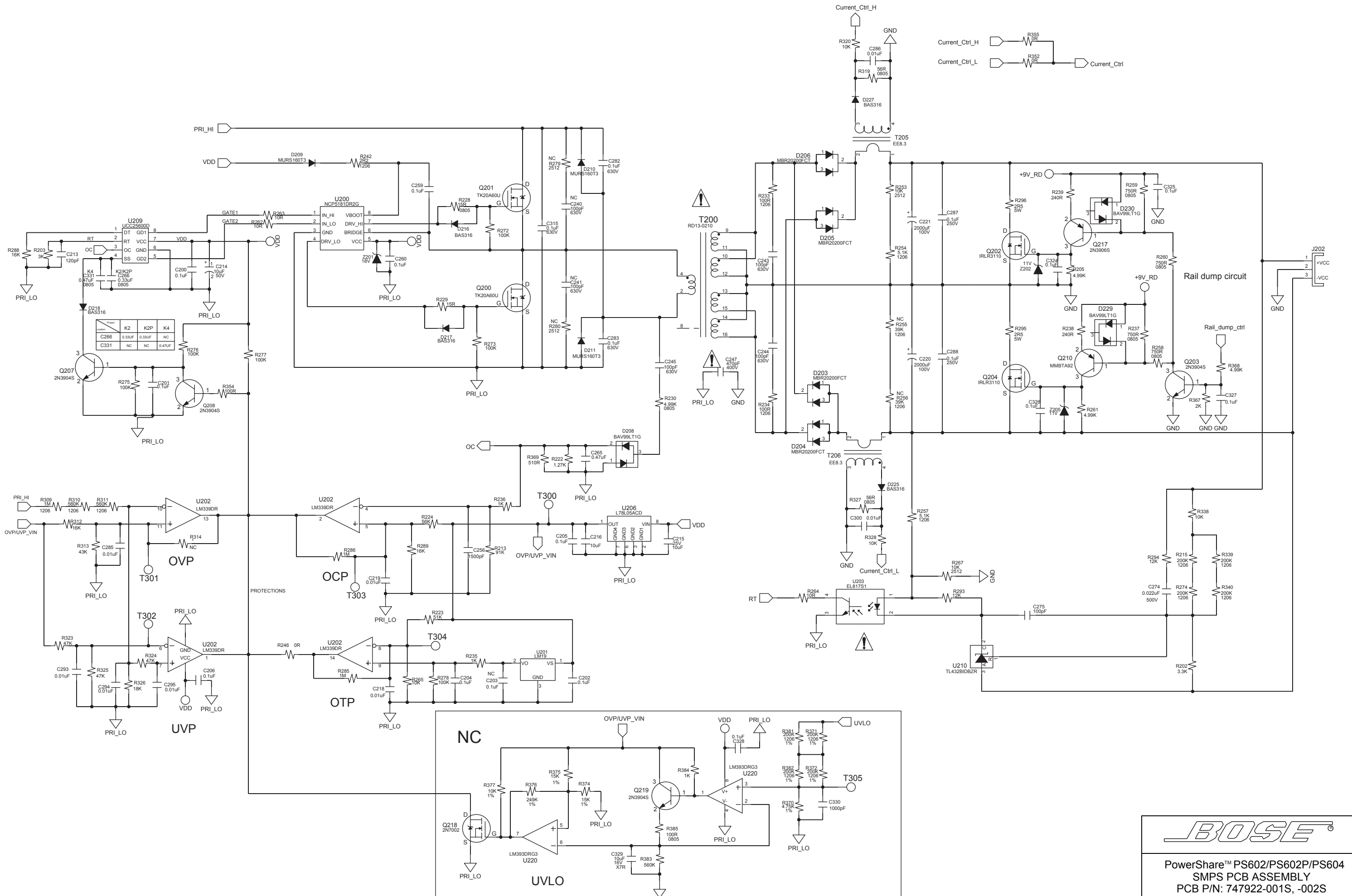
C

B

B

A

A



PowerShare™ PS602/PS602P/PS604  
 SMPS PCB ASSEMBLY  
 PCB P/N: 747922-001S, -002S  
 REVISION A3  
 SHEET 2 OF 10

6

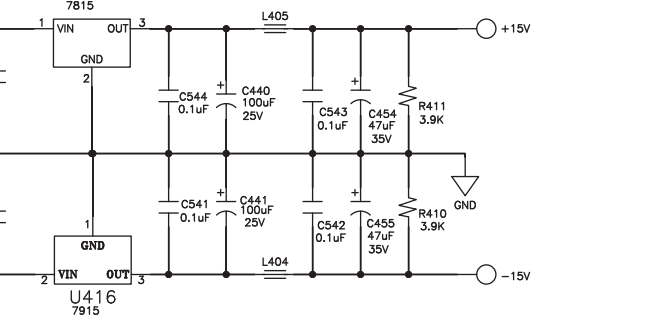
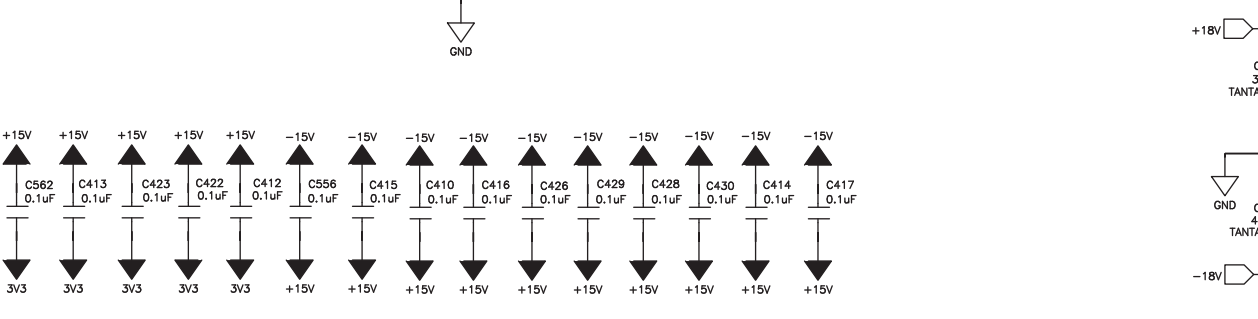
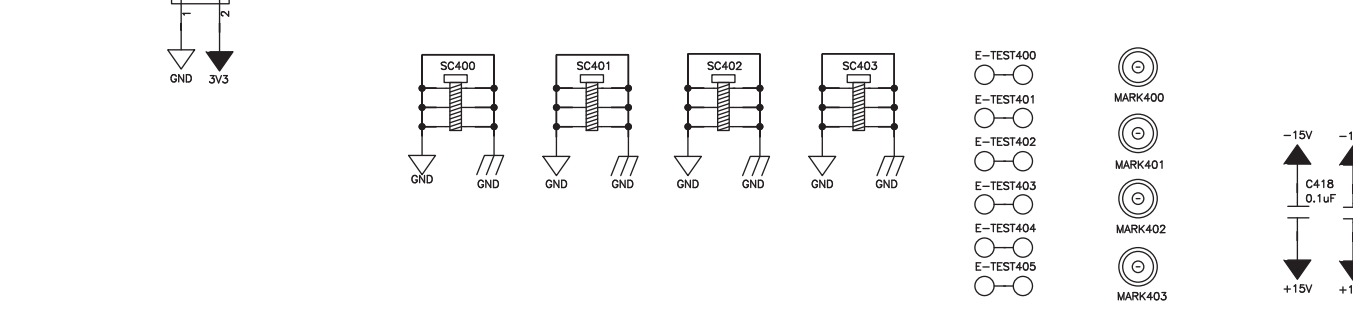
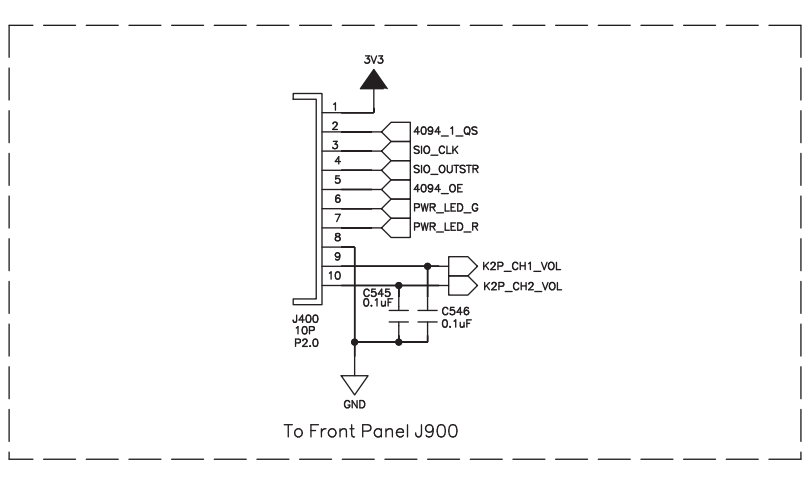
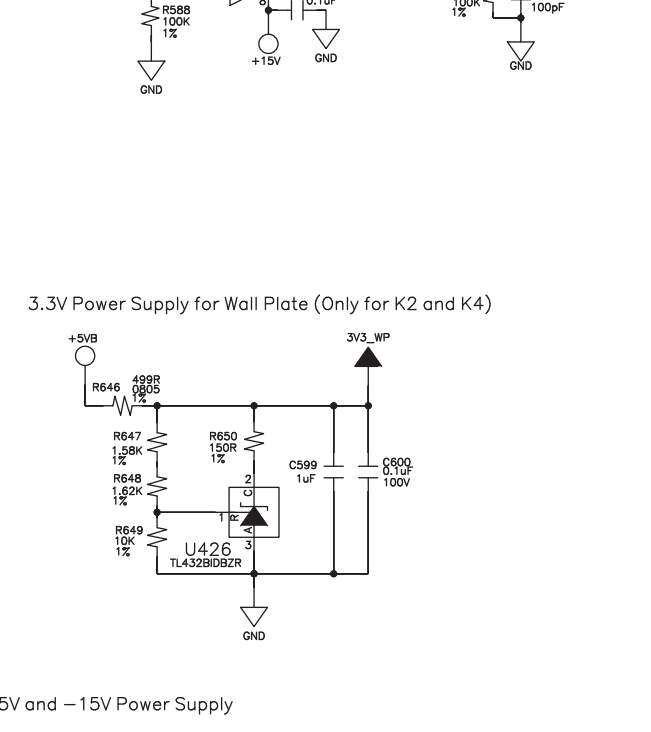
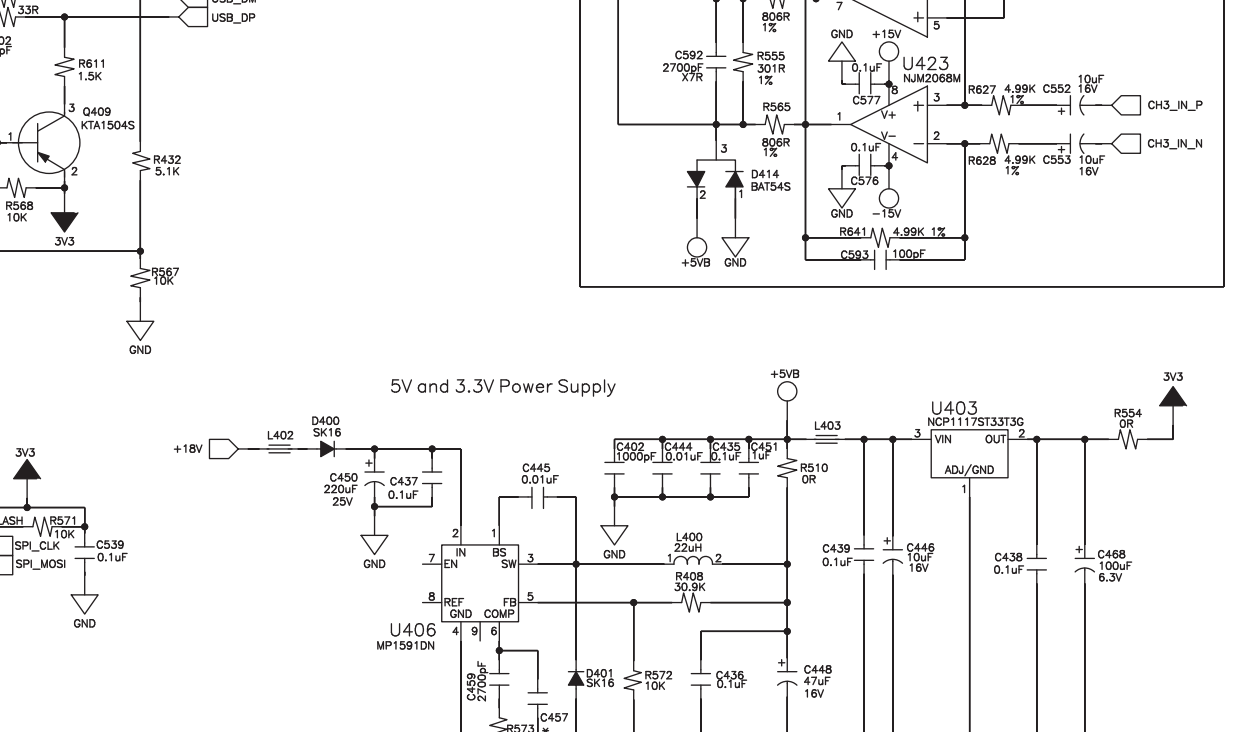
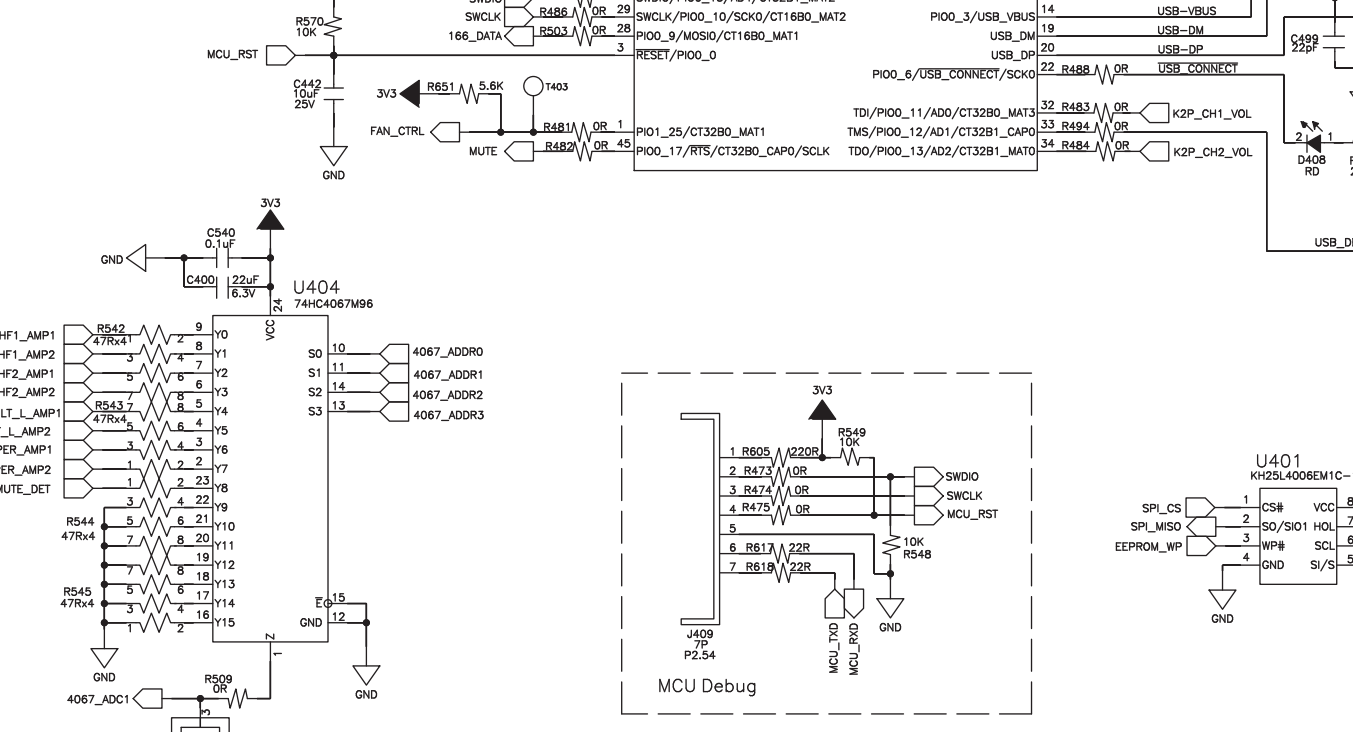
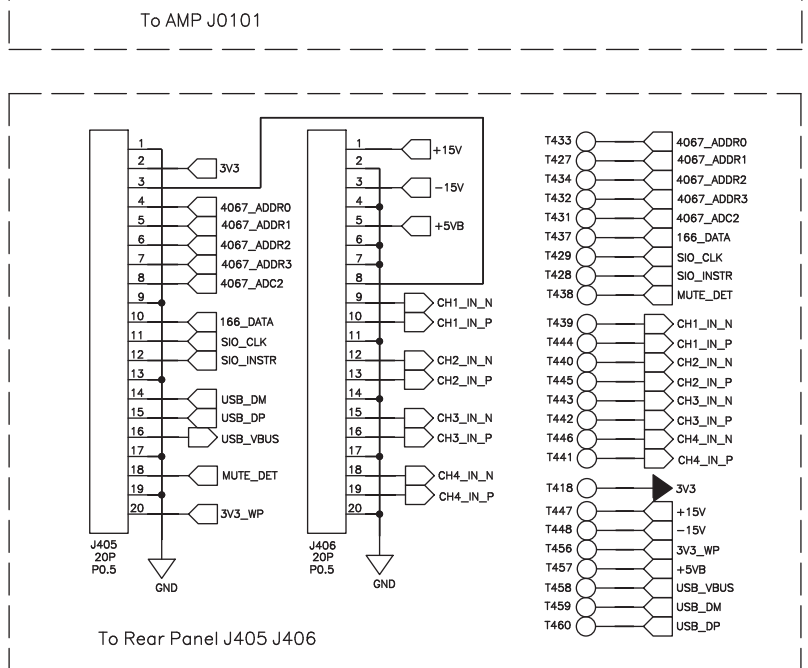
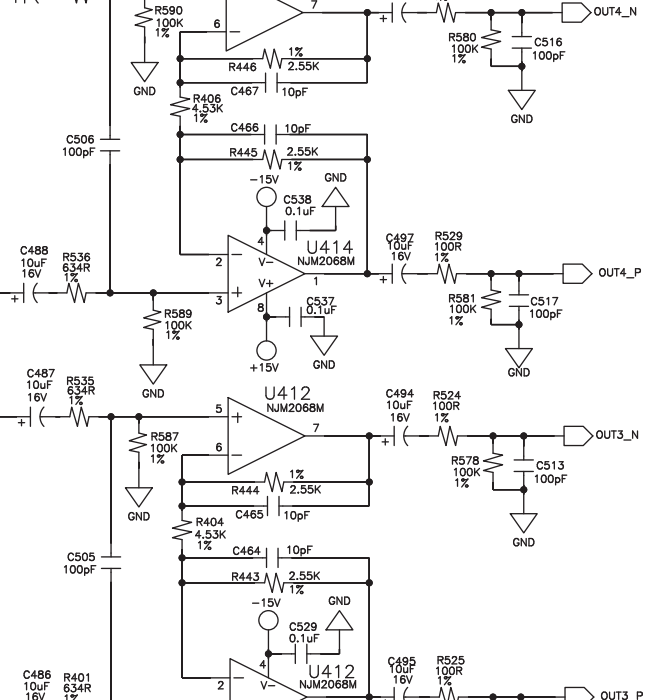
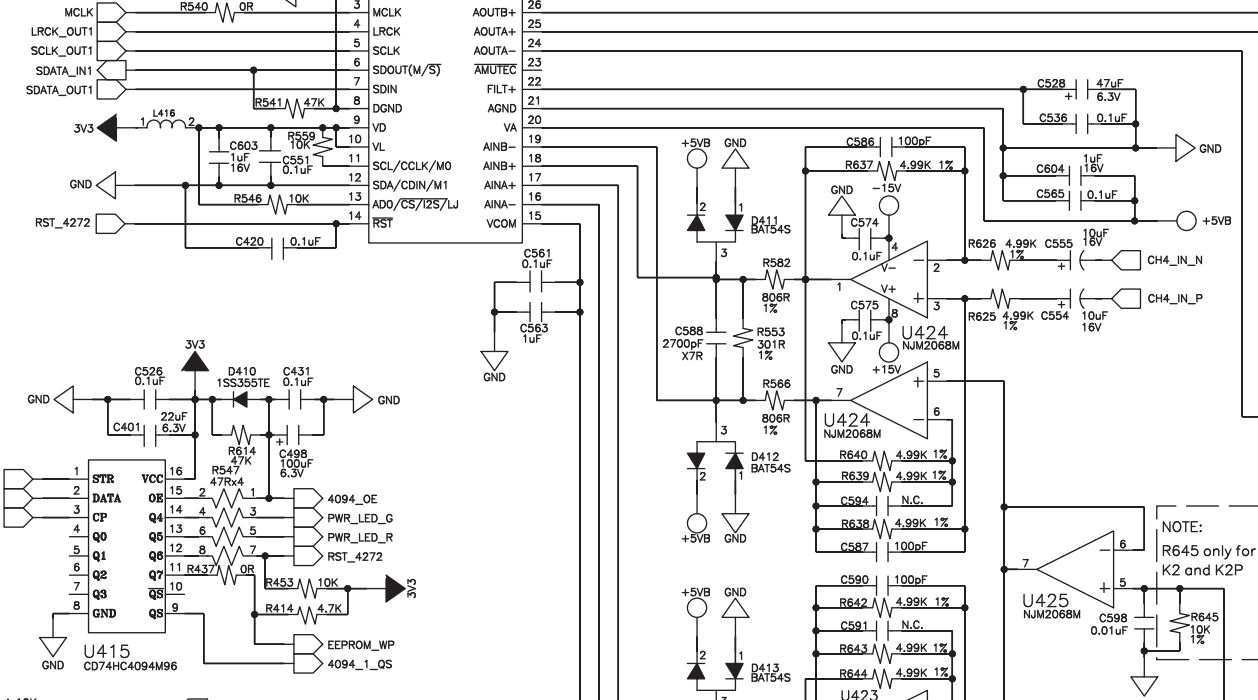
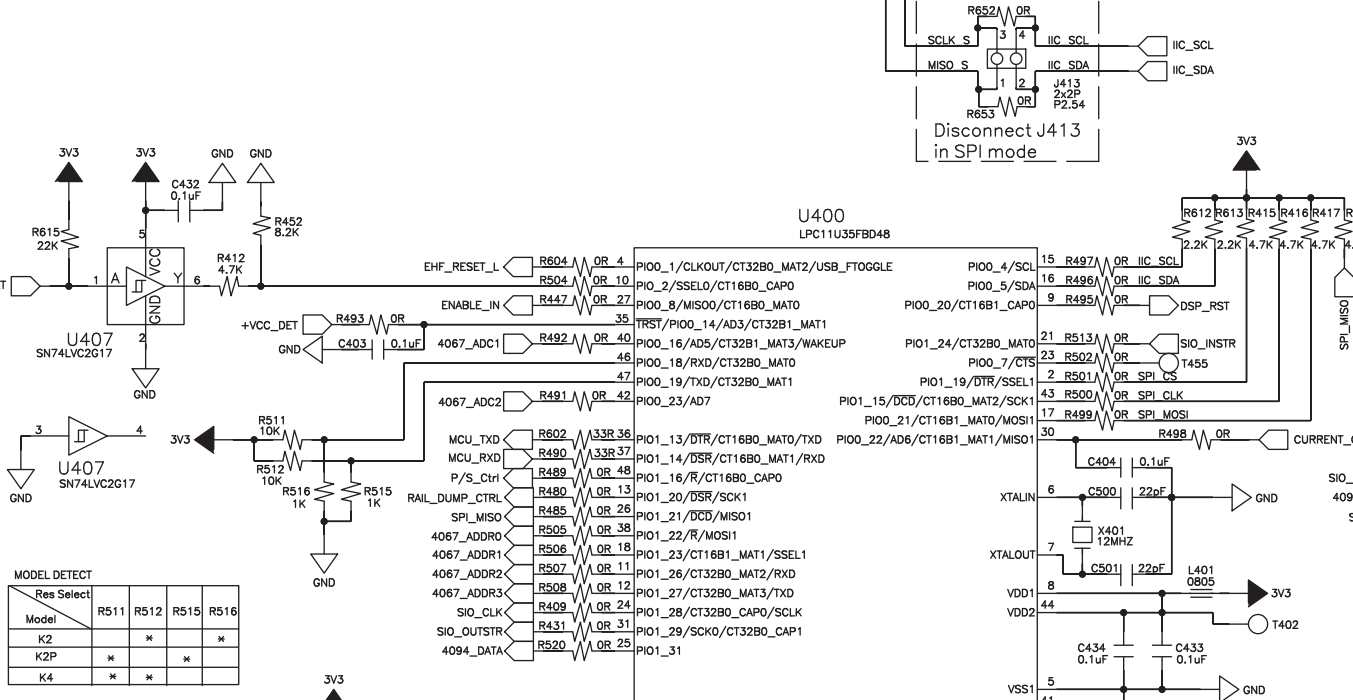
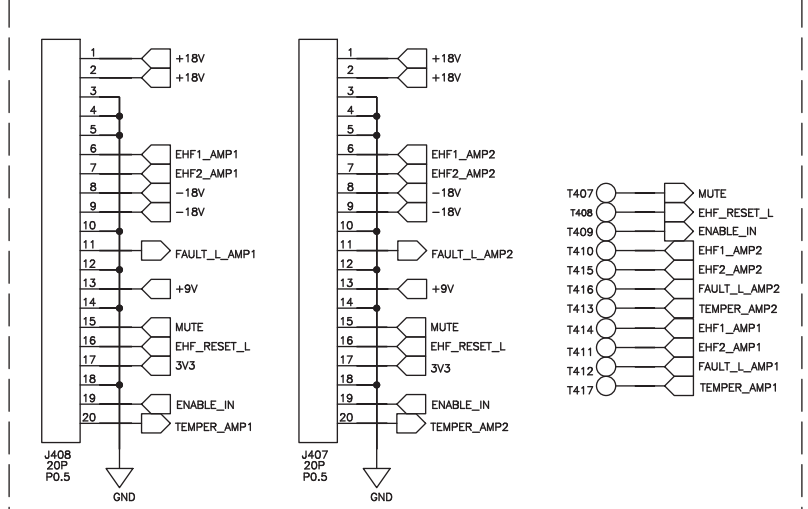
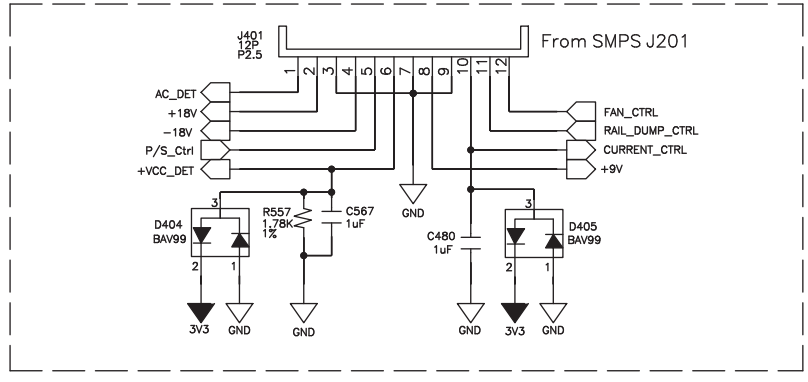
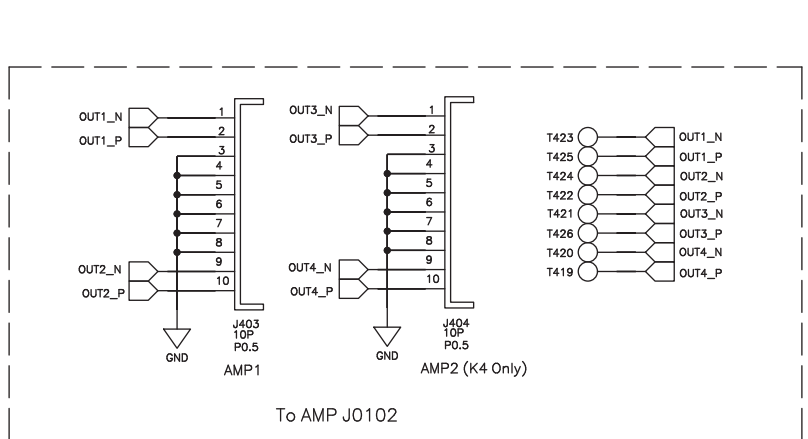
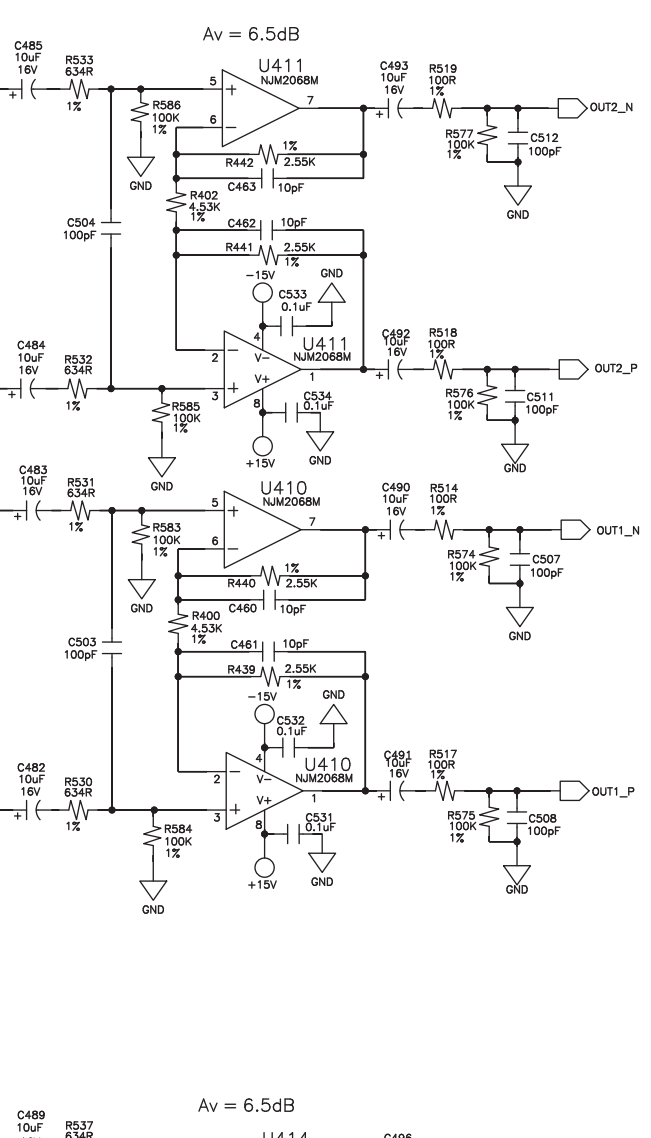
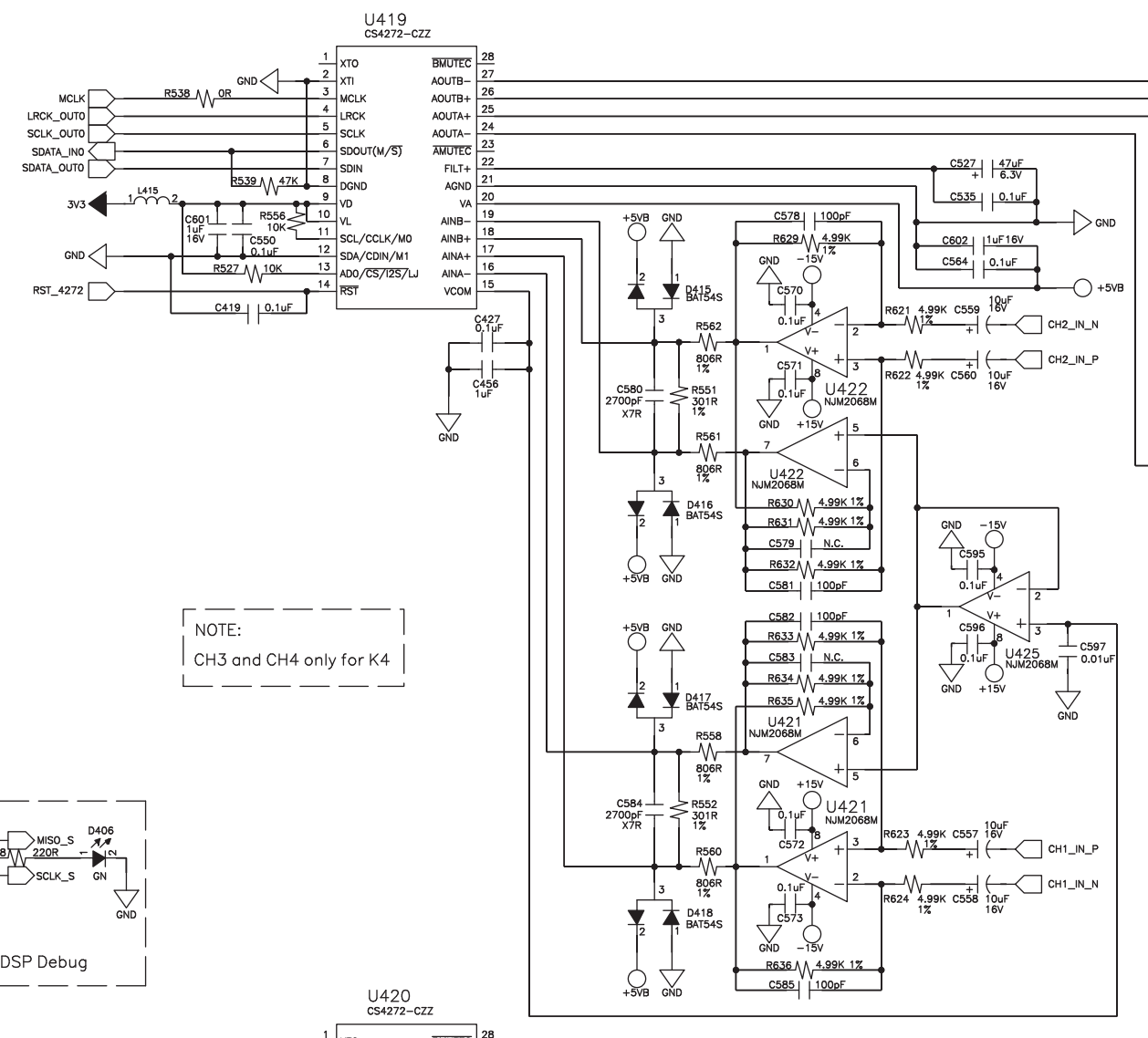
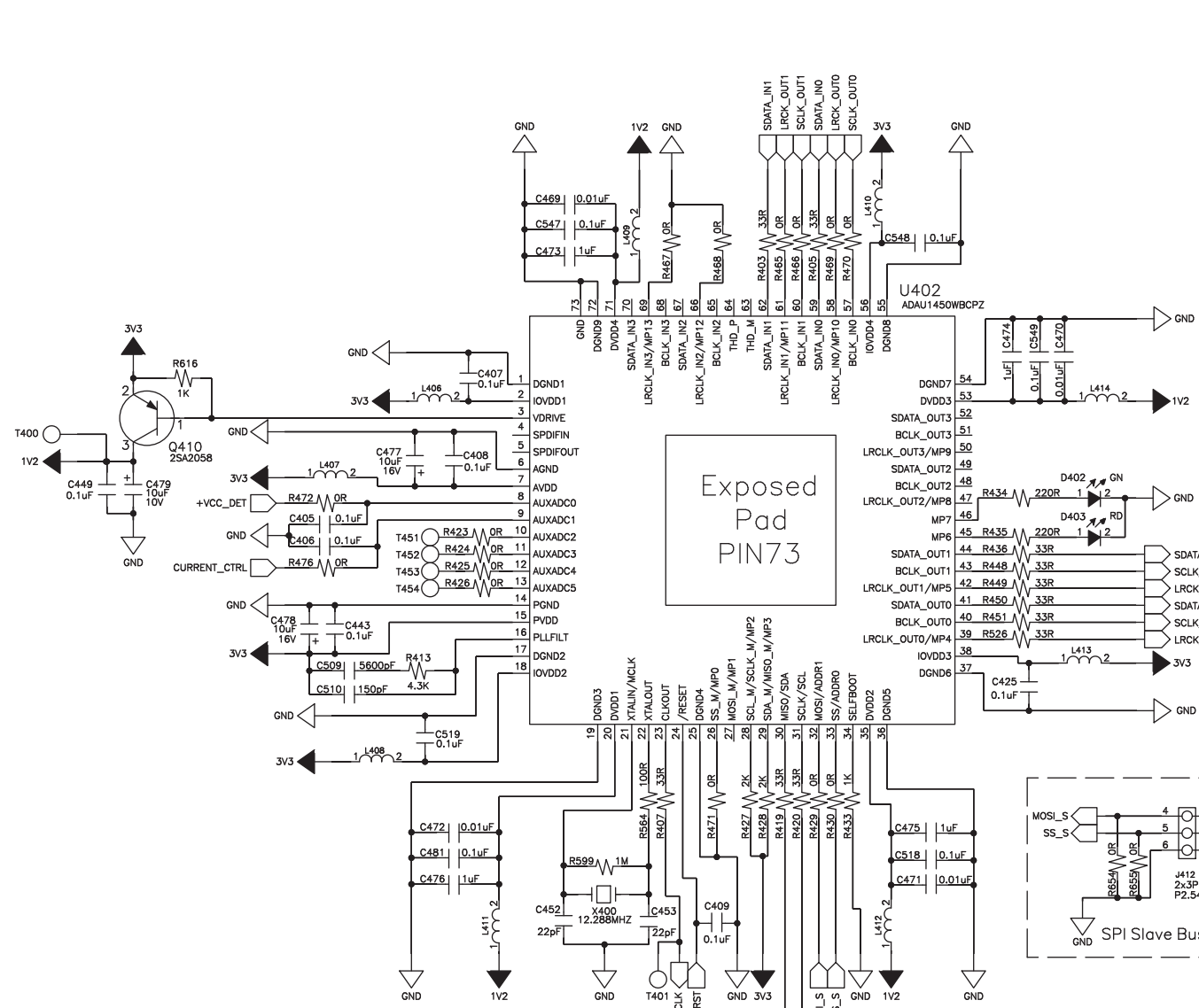
5

4

3

2

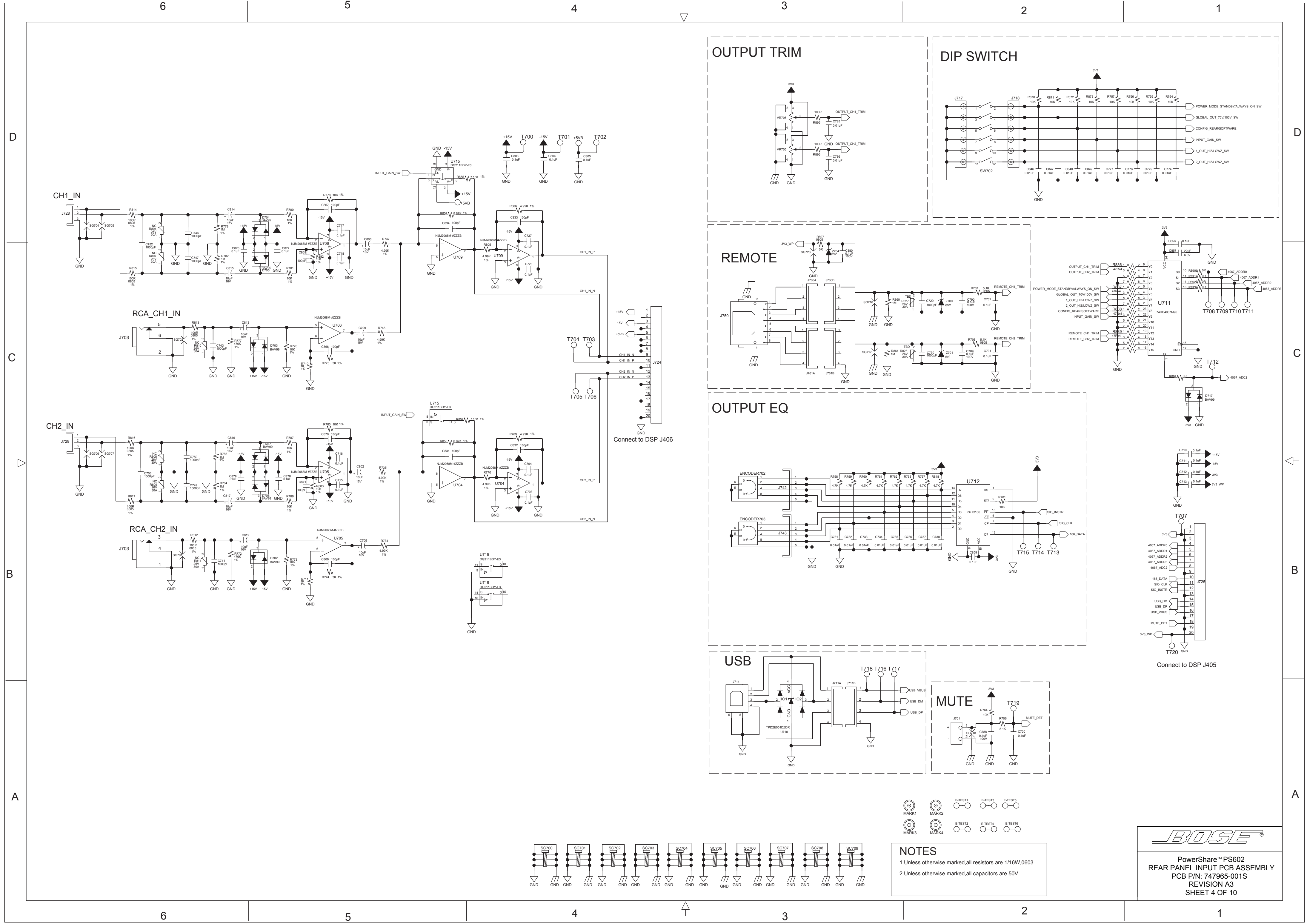
1



**BOSE**

PowerShare™ PS602/PS602P/PS604  
 DSP PCB ASSEMBLY  
 PCB P/Ns: 747927-001S,  
 748233-001S, 748560-001S  
 REVISION A3  
 SHEET 3 OF 10





OUTPUT TRIM

DIP SWITCH

REMOTE

OUTPUT EQ

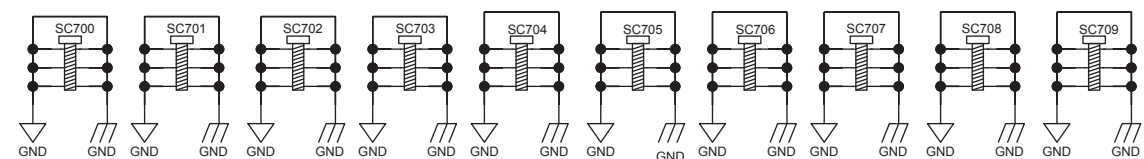
USB

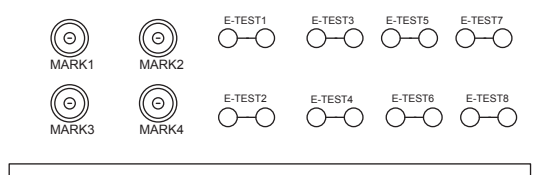
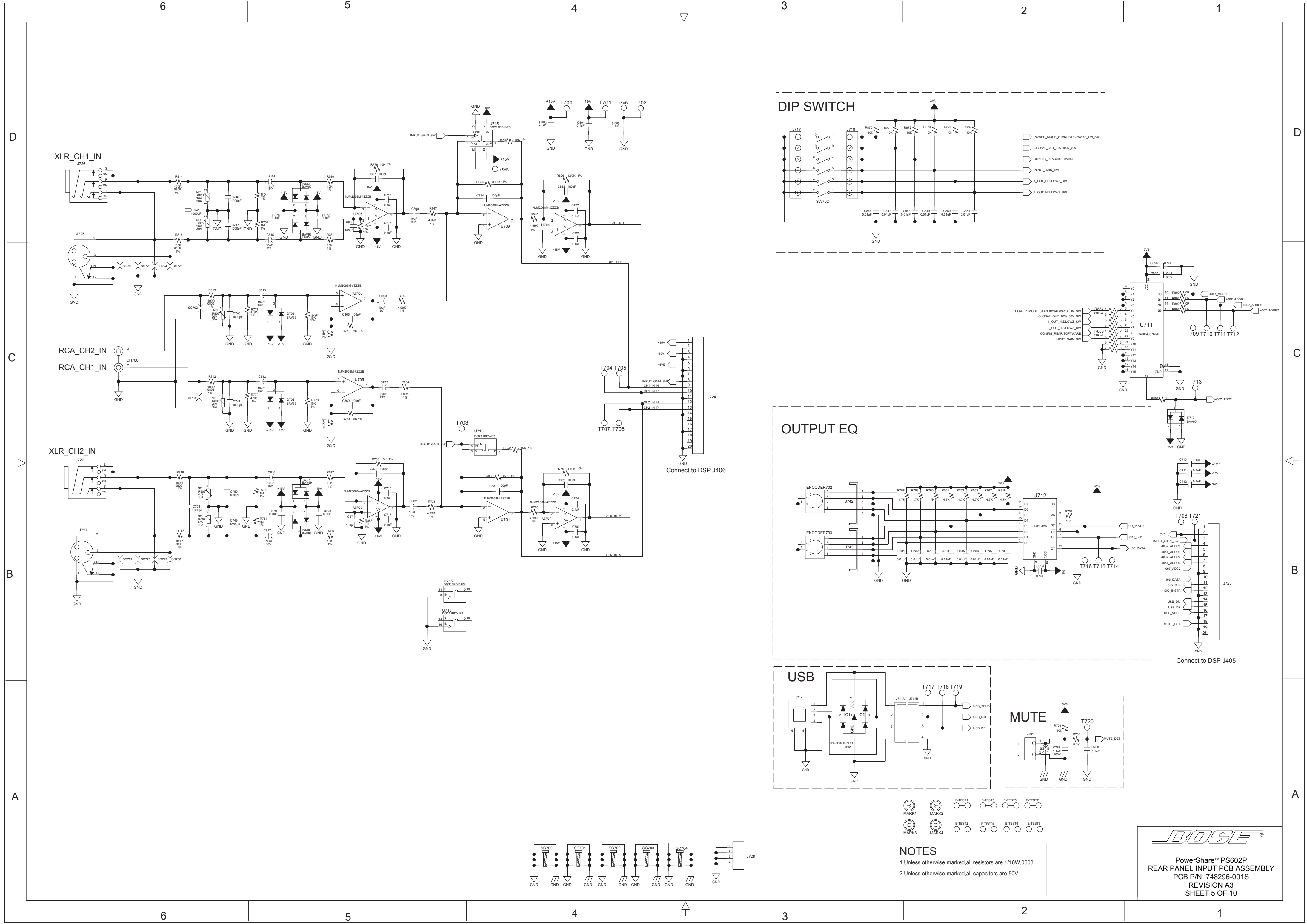
MUTE

- MARK1
- MARK2
- MARK3
- MARK4
- E-TEST1
- E-TEST2
- E-TEST3
- E-TEST4
- E-TEST5
- E-TEST6

**NOTES**  
 1. Unless otherwise marked, all resistors are 1/16W, 0603  
 2. Unless otherwise marked, all capacitors are 50V

**BOSE**  
 PowerShare™ PS602  
 REAR PANEL INPUT PCB ASSEMBLY  
 PCB P/N: 747965-001S  
 REVISION A3  
 SHEET 4 OF 10



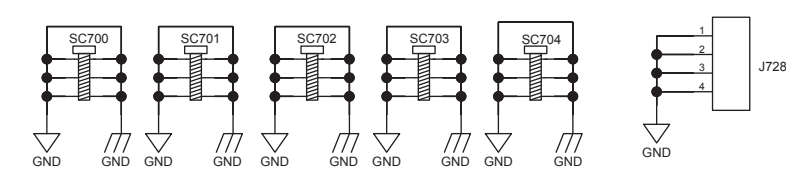


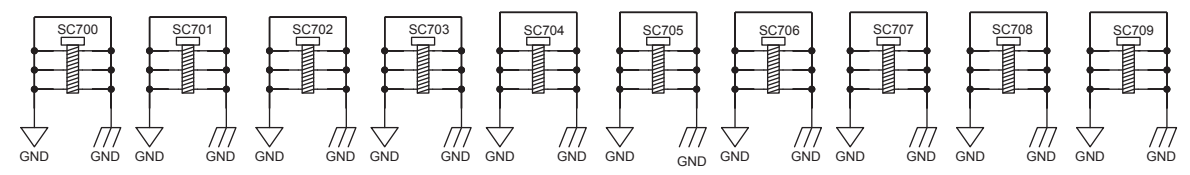
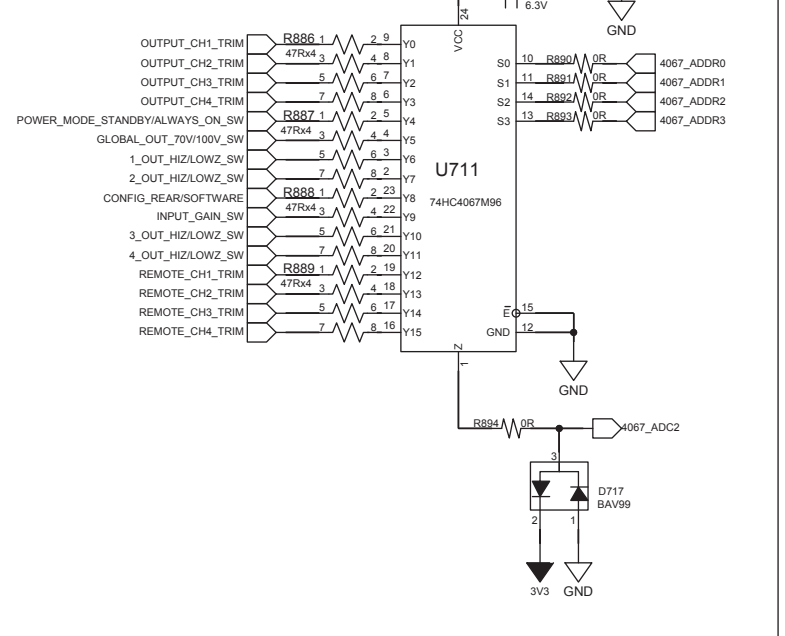
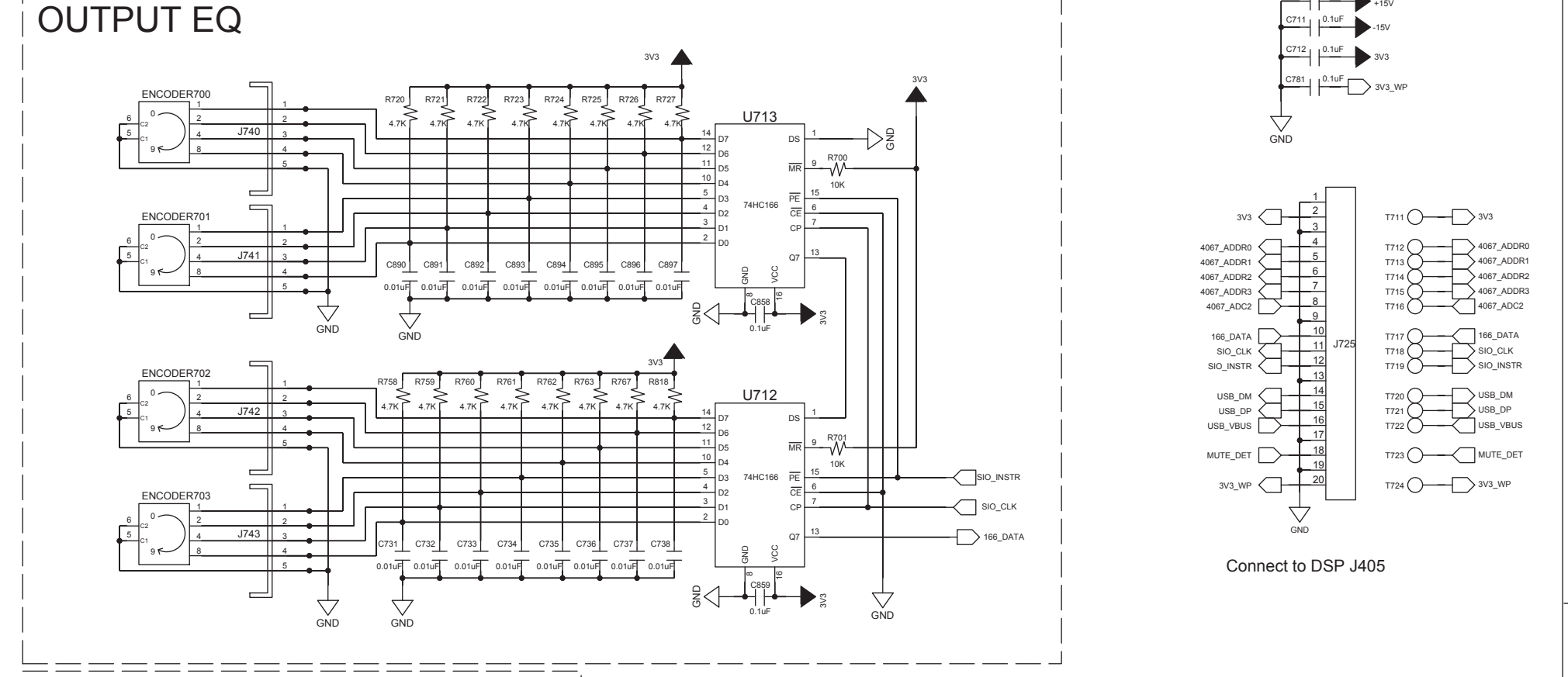
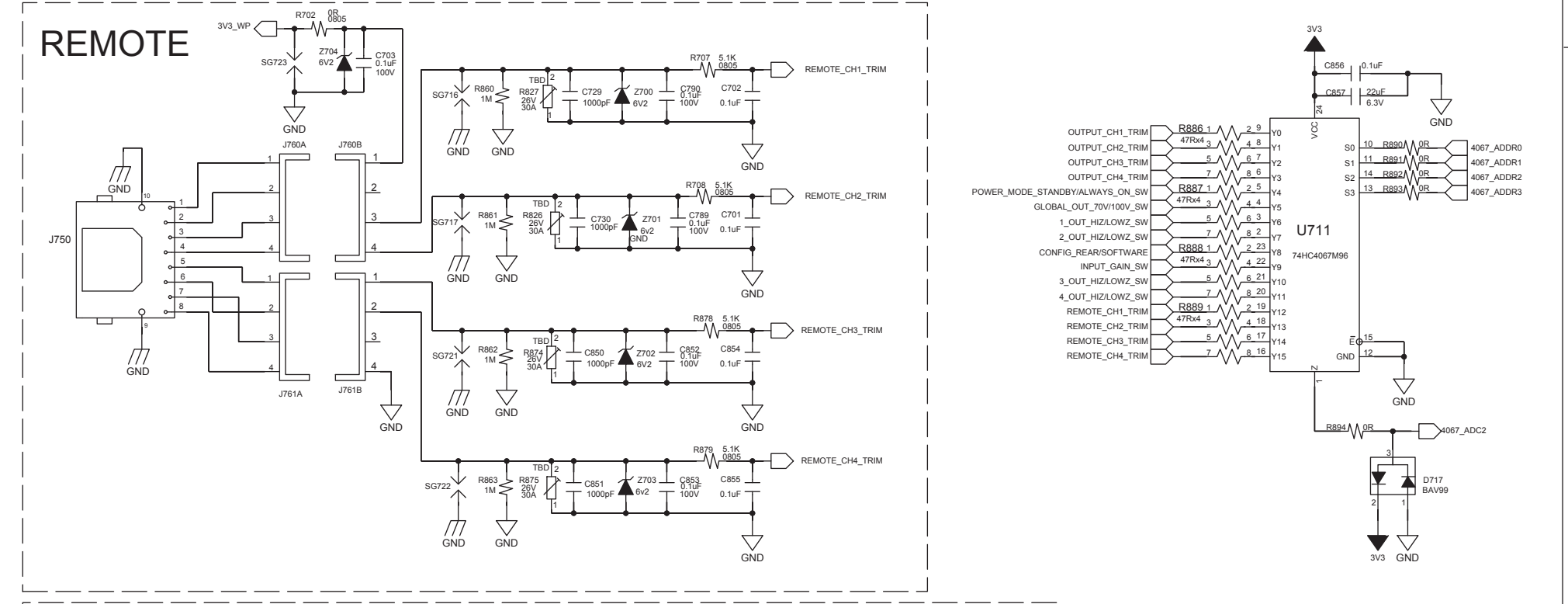
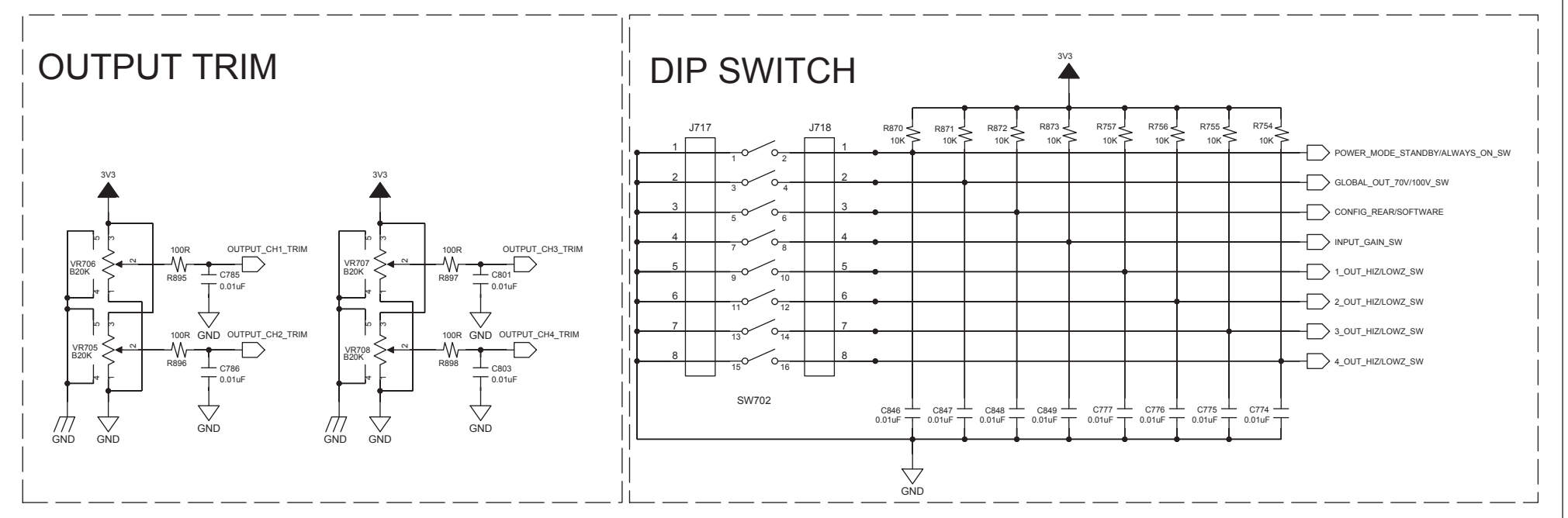
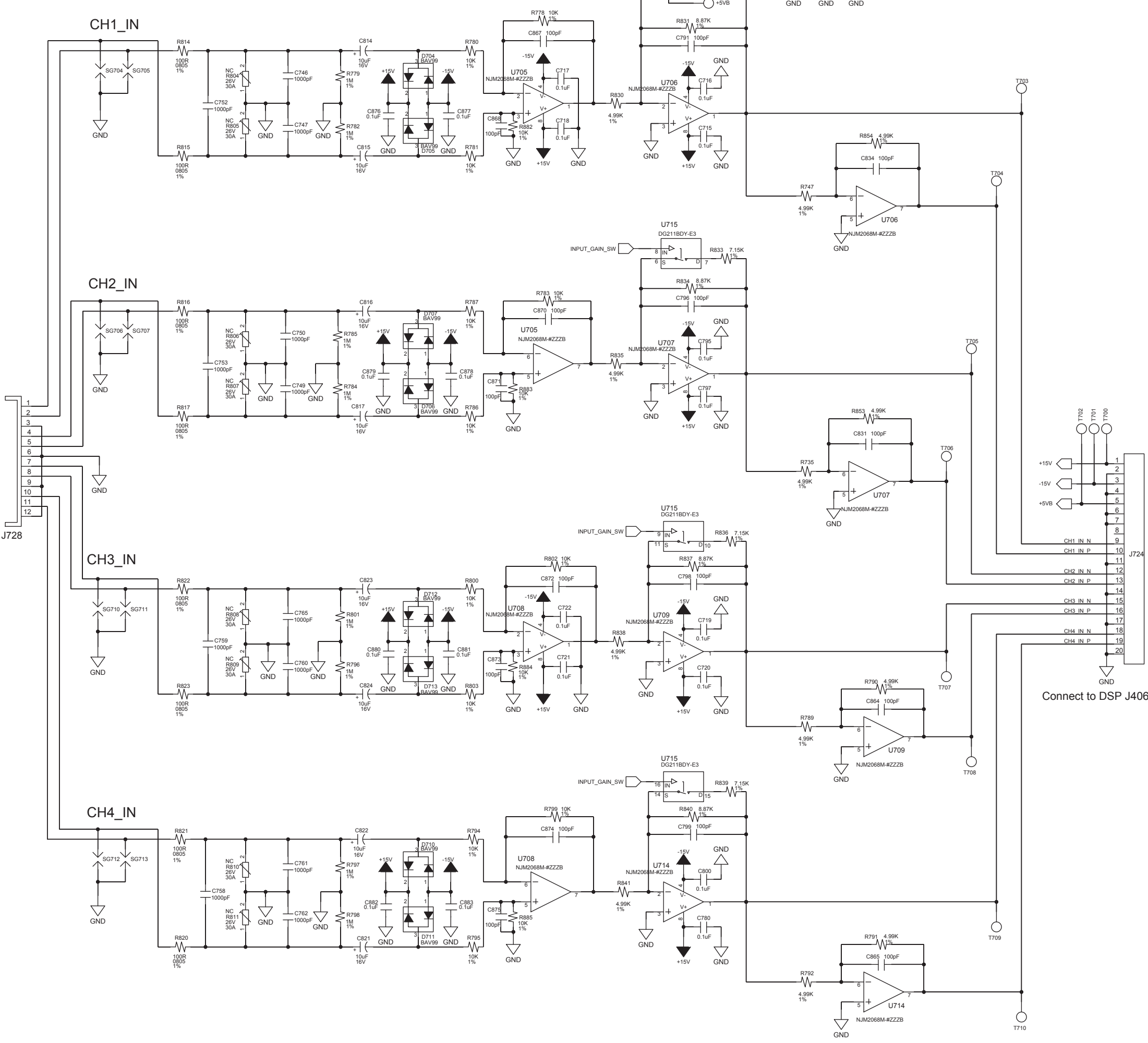
**NOTES**

- Unless otherwise marked, all resistors are 1/16W, 0603
- Unless otherwise marked, all capacitors are 50V

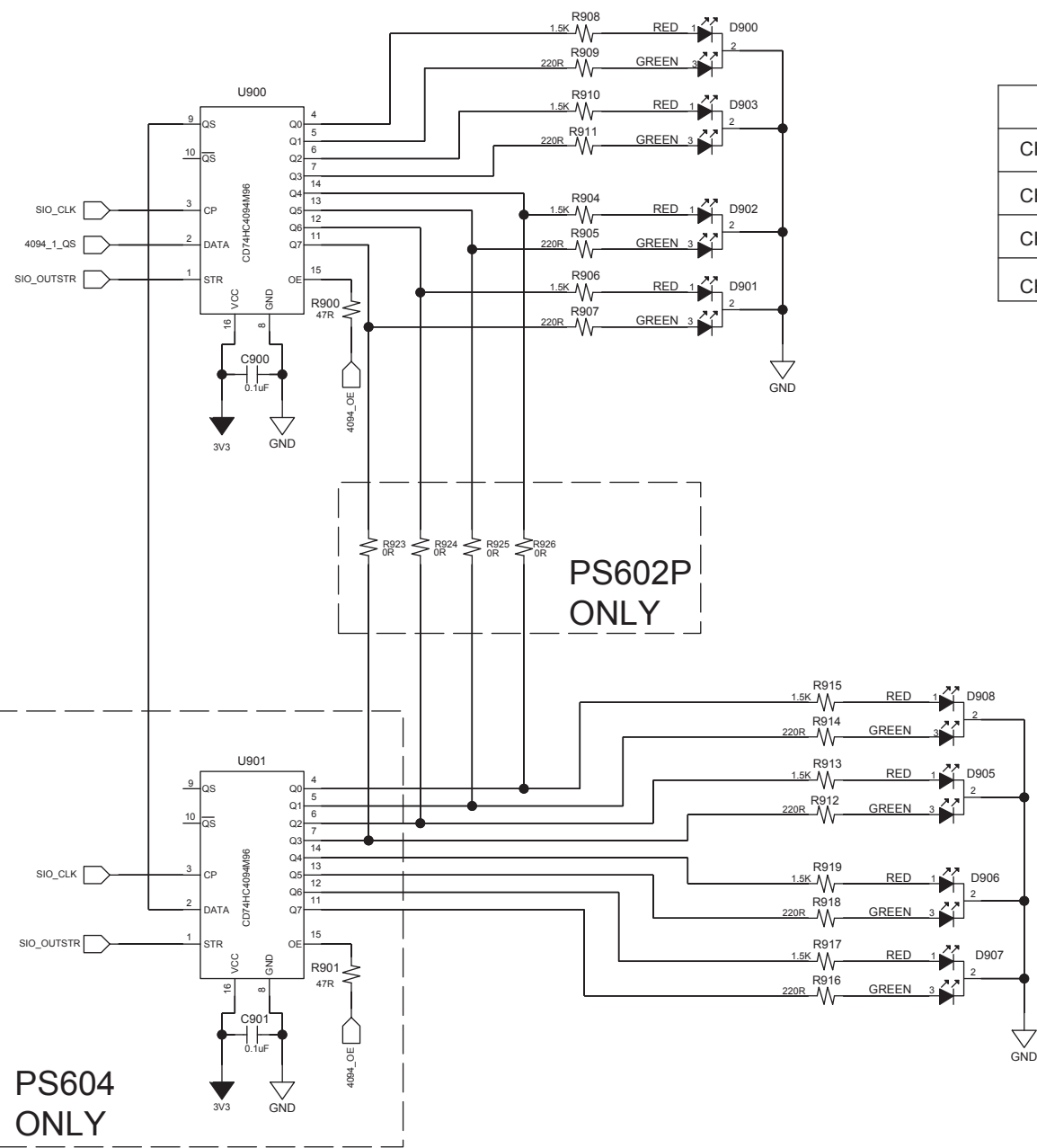
**BOSE**

PowerShare™ PS602P  
REAR PANEL INPUT PCB ASSEMBLY  
PCB P/N: 748296-001S  
REVISION A3  
SHEET 5 OF 10

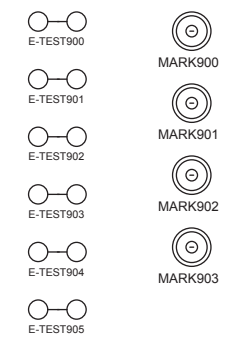
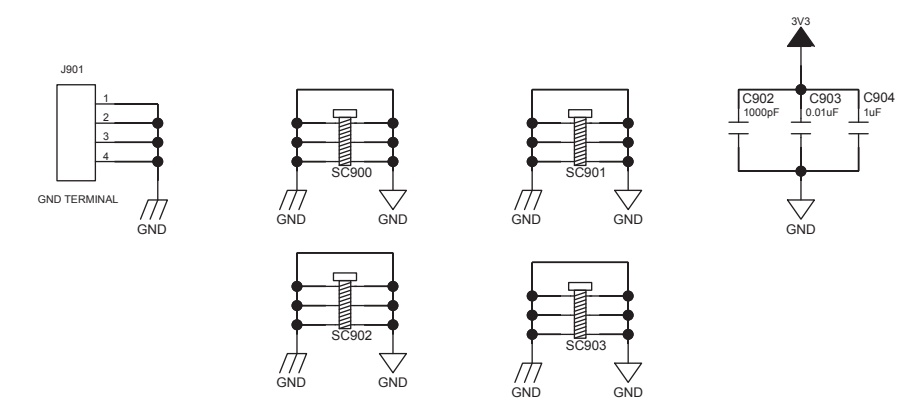
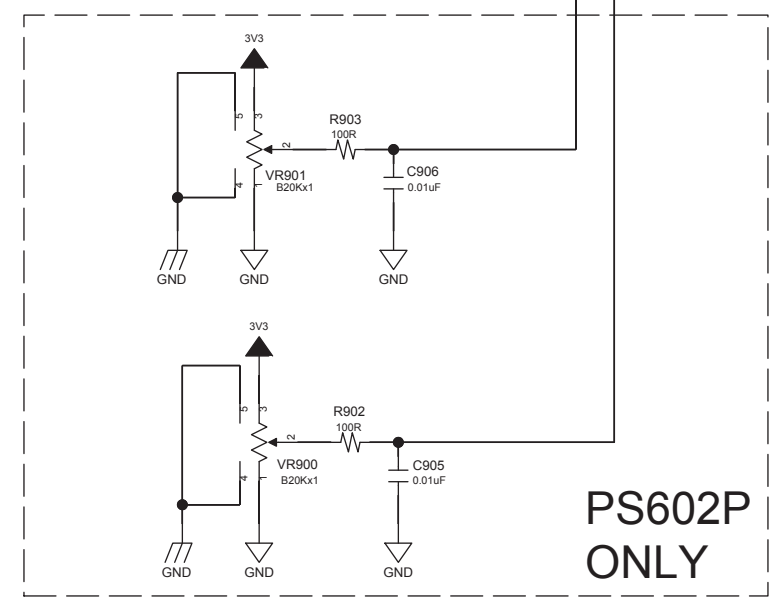
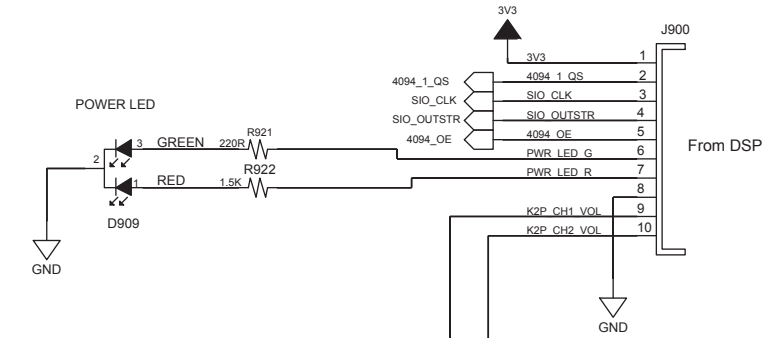




**NOTES**  
 1. Unless otherwise marked, all resistors are 1/16W, 0603  
 2. Unless otherwise marked, all capacitors are 50V



	K2	K2P	K4
CH1	D900 D903	D900 D903	D900 D903
CH2	D902 D901	D908 D905	D902 D901
CH3			D908 D905
CH4			D906 D907



**BOSE**

PowerShare™ PS602/PS602P/PS604  
 FRONT PANEL / LED PCB ASSEMBLY  
 PCB P/Ns: 747971-001S  
 747986-001S, 747987-001S  
 REVISION A3  
 SHEET 7 OF 10

6

5

4



3

2

1

D

D

C

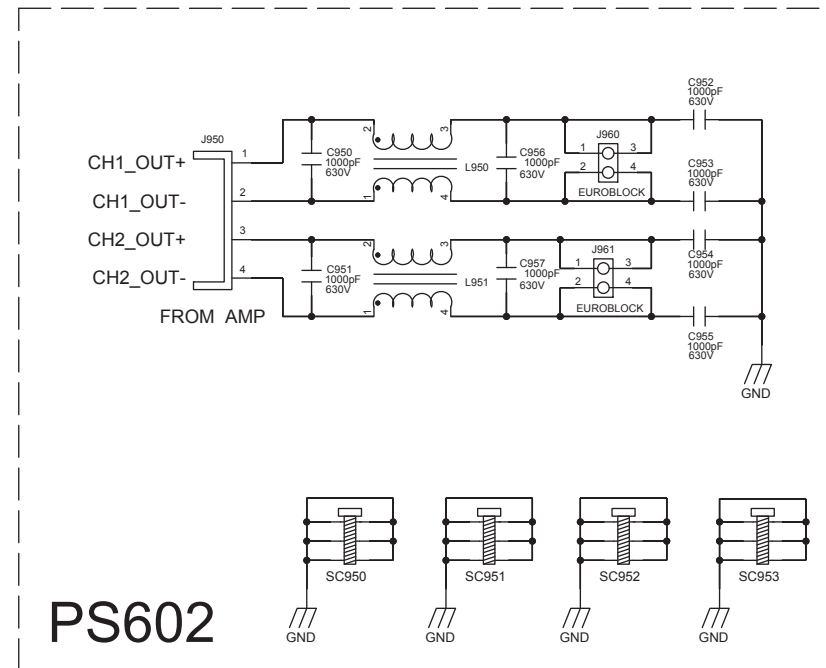
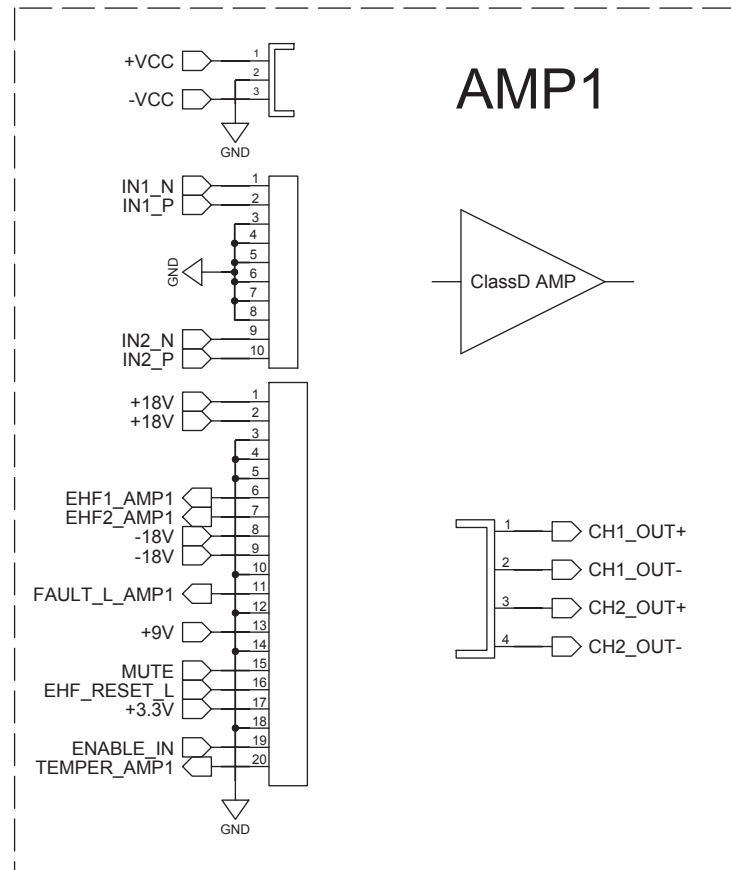
C

B

B

A

A



PowerShare™ PS602  
 REAR PANEL OUTPUT PCB ASSEMBLY  
 PCB P/N: 747953-001S  
 REVISION A3  
 SHEET 8 OF 10

6

5

4



3

2

1



6

5

4

3

2

1

1

D

D

C

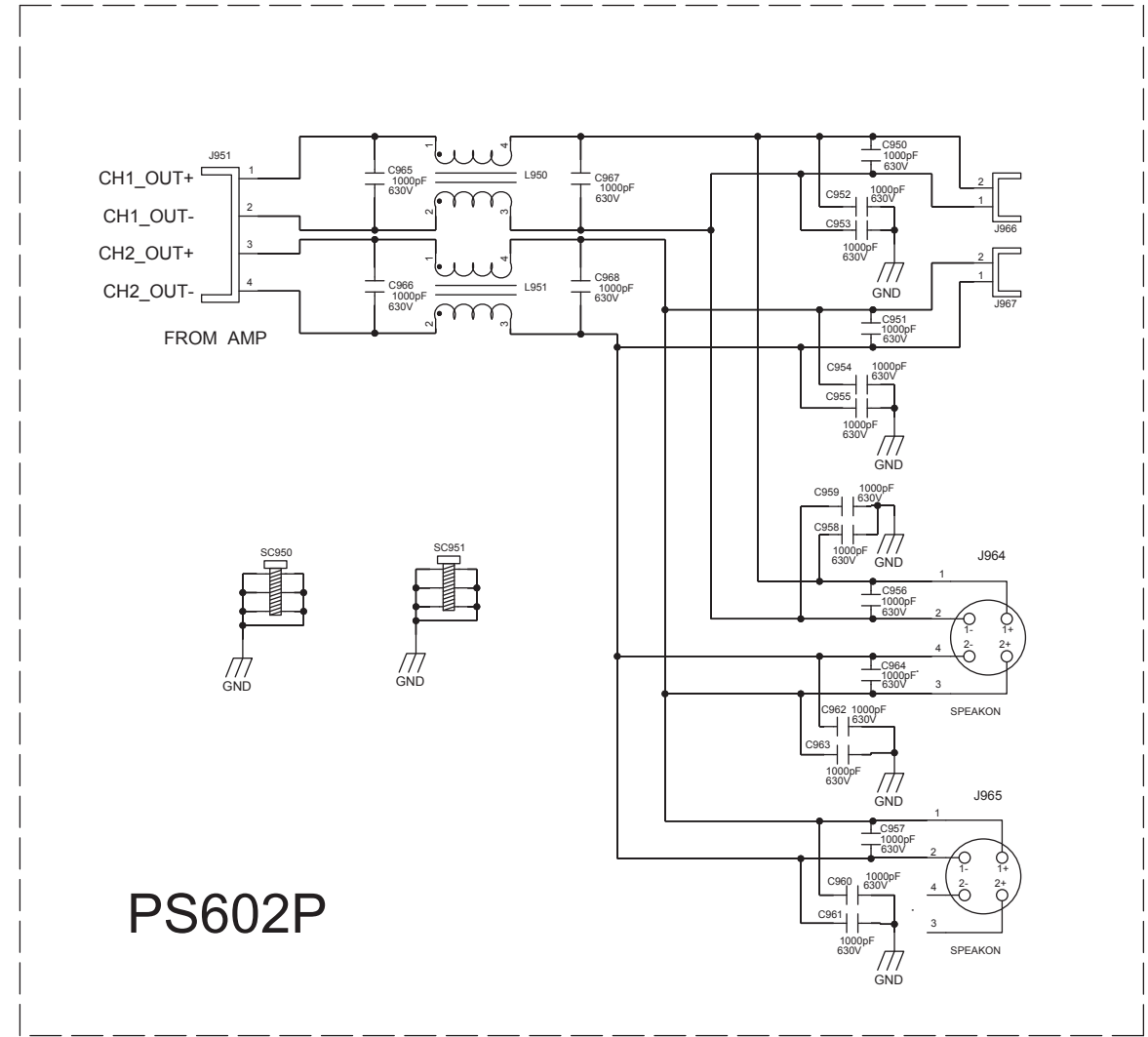
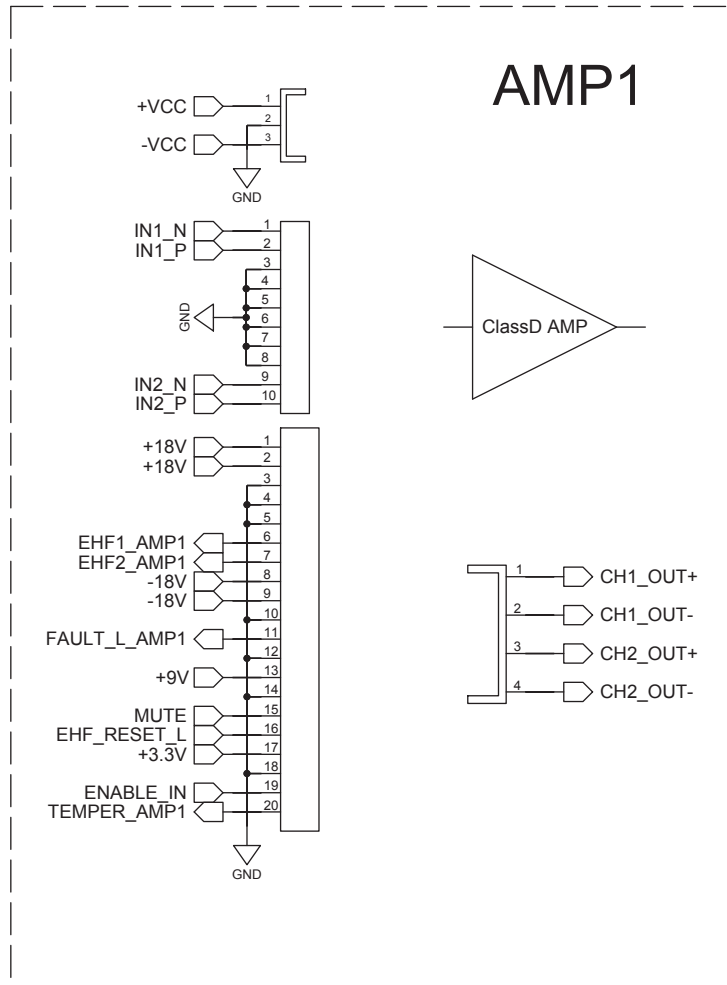
C

B

B

A

A



PowerShare™ PS602P  
 REAR PANEL OUTPUT PCB ASSEMBLY  
 PCB P/N: 748291-001S  
 REVISION A3  
 SHEET 9 OF 10

6

5

4

3

2

1

1

6

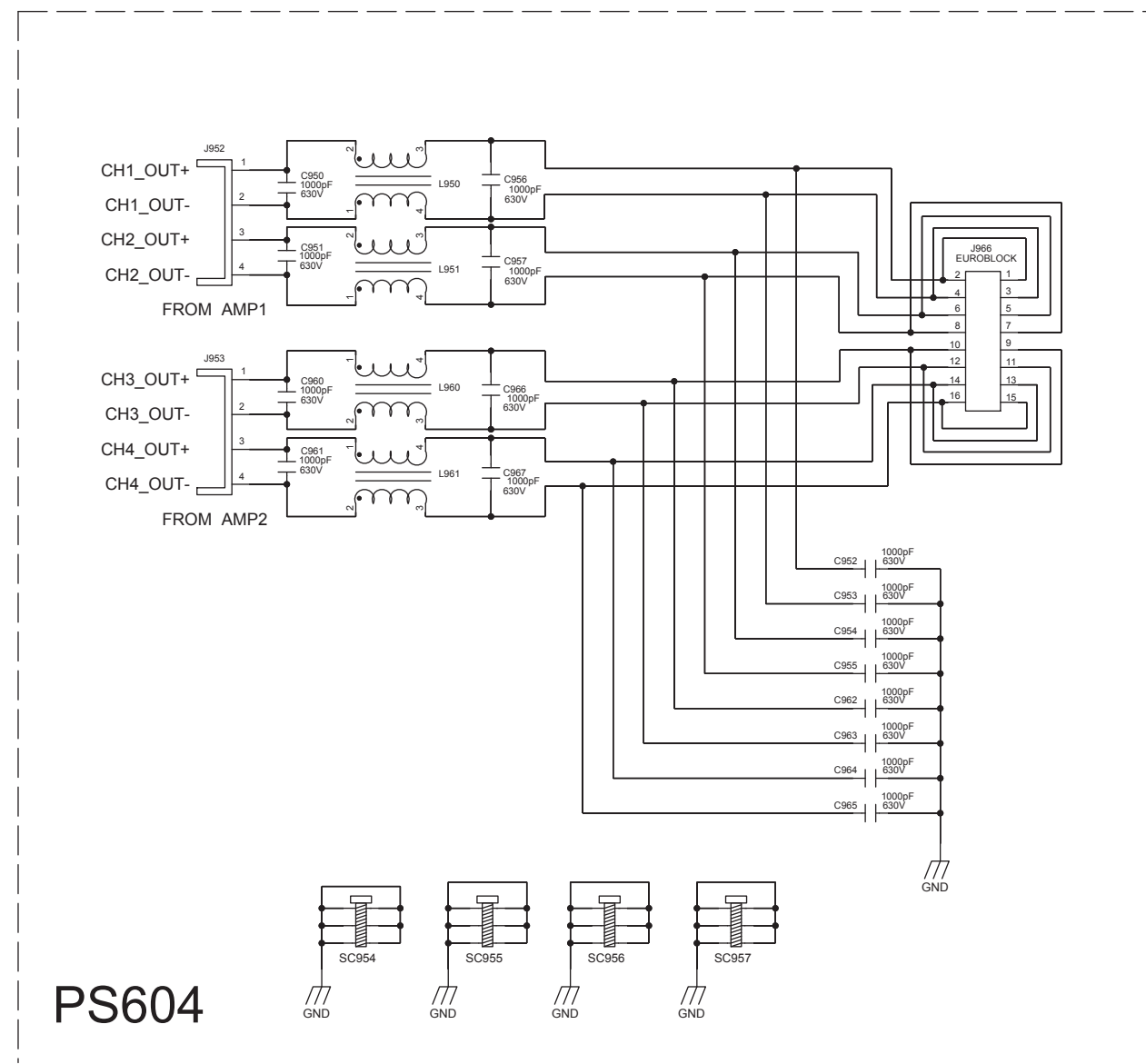
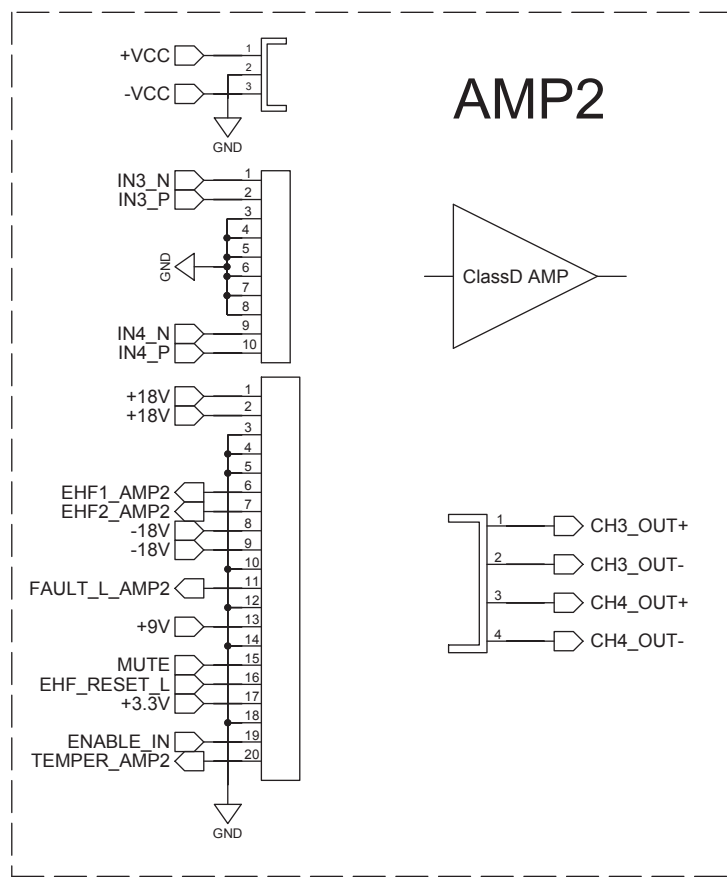
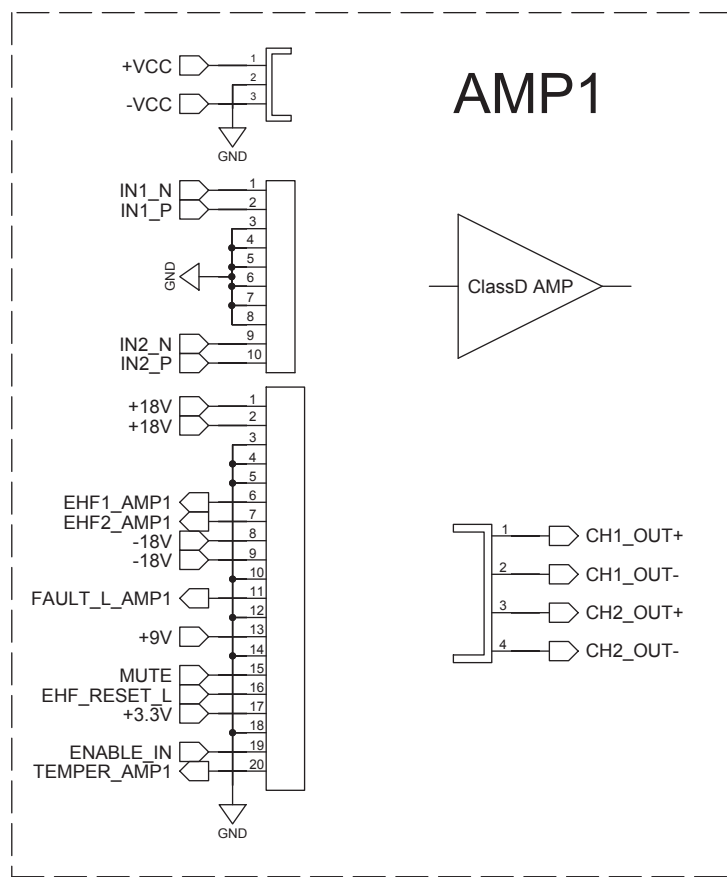
5

4

3

2

1



**BOSE**

PowerShare™ PS604  
 REAR PANEL OUTPUT PCB ASSEMBLY  
 PCB P/N: 748568-001S  
 REVISION A3  
 SHEET 10 OF 10

6

5

4

3

2

1