
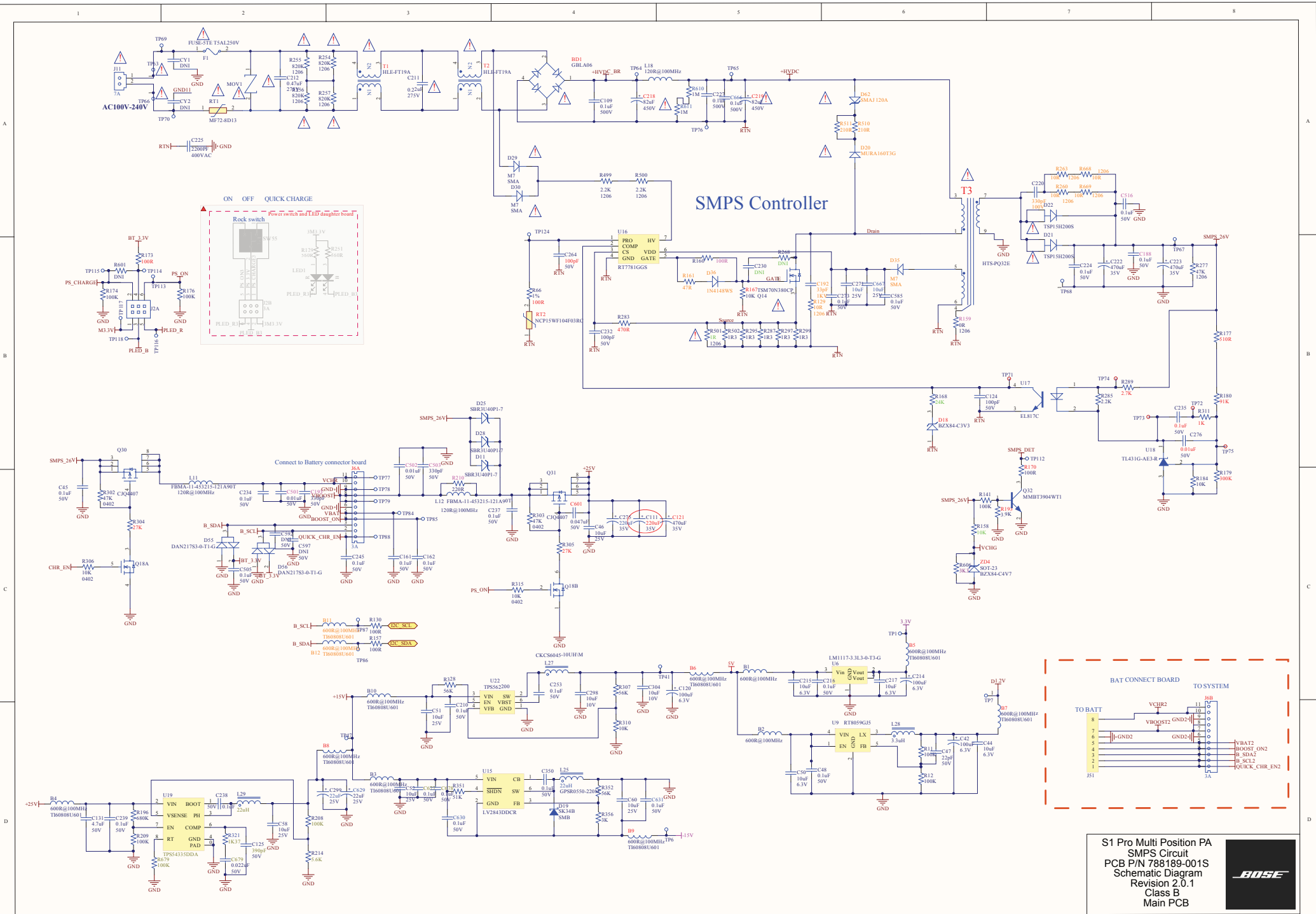


S1 Pro Multi Position PA System  
 Digital Signal Processor  
 PCB P/N 788189-001S  
 Schematic Diagram Class B  
 Revision 2.0.1  
 Main PCB







S1 Pro Multi Position PA  
 SMPS Circuit  
 PCB P/N 788189-001S  
 Schematic Diagram  
 Revision 2.0.1  
 Class B  
 Main PCB

