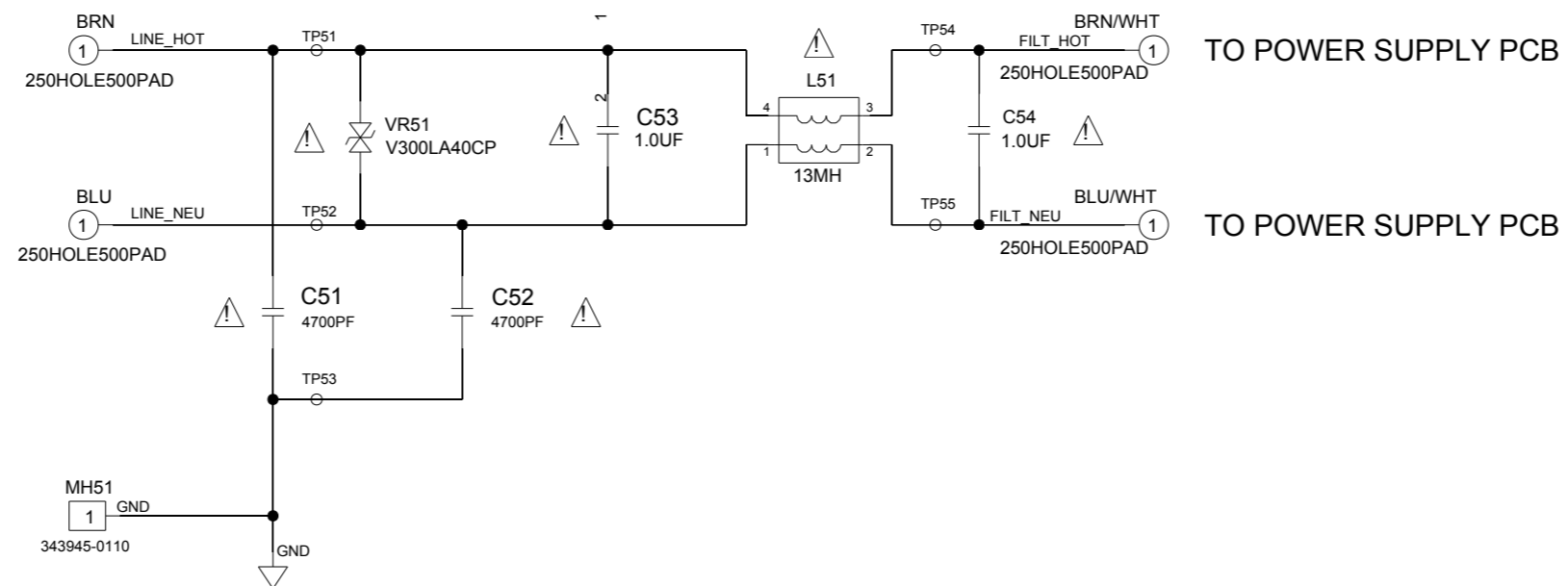


PM8500 AC INLET BOARD

TO POWER SWITCH



TO POWER SUPPLY PCB

TO POWER SUPPLY PCB

CK1



PowerMatch™ PM8500(N) Amplifier
 AC Inlet PCB Assembly
 PCB P/N: 345293-0010, Revision 01
 Schematic Diagram
 Sheet 1 of 1