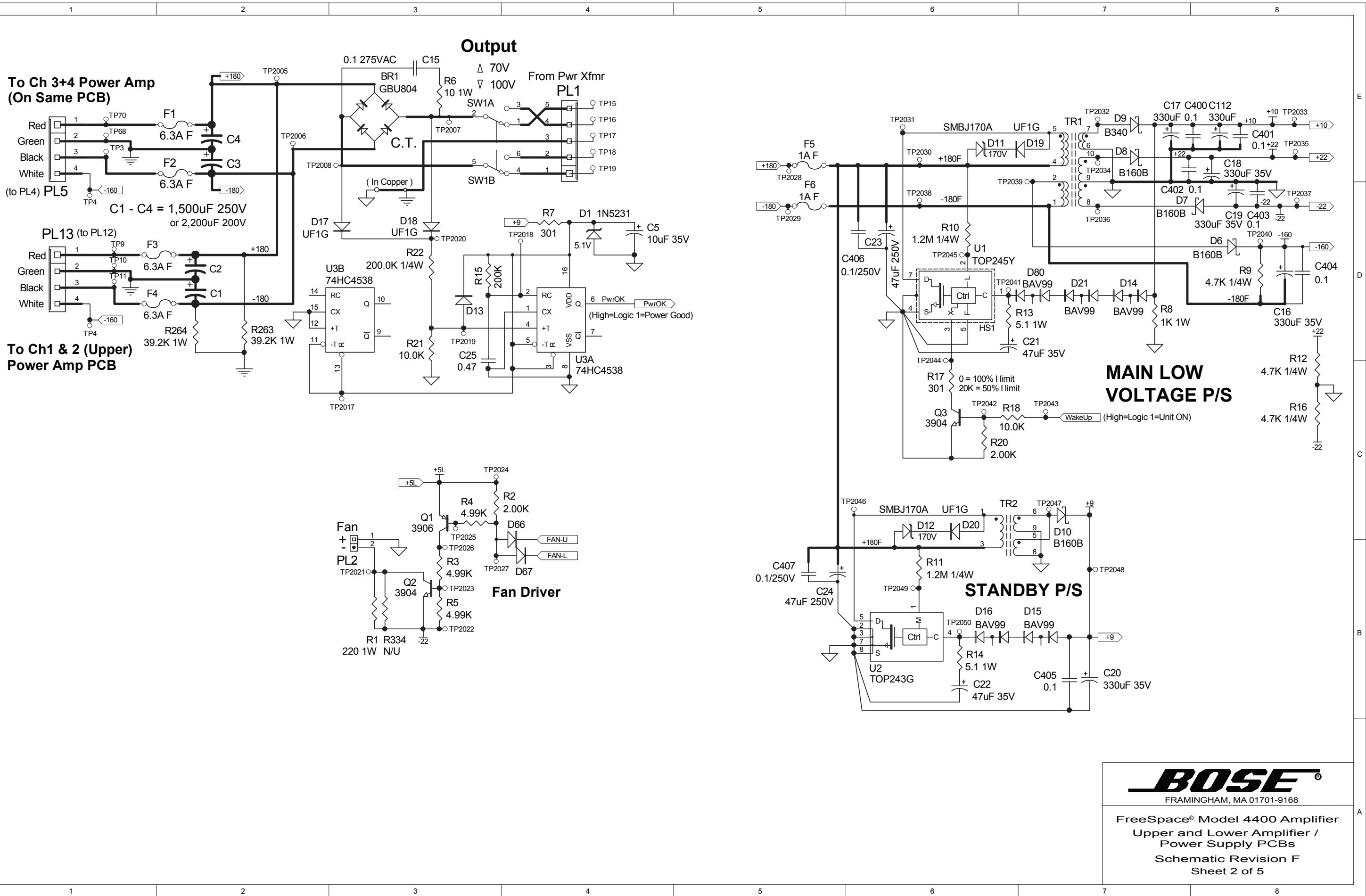
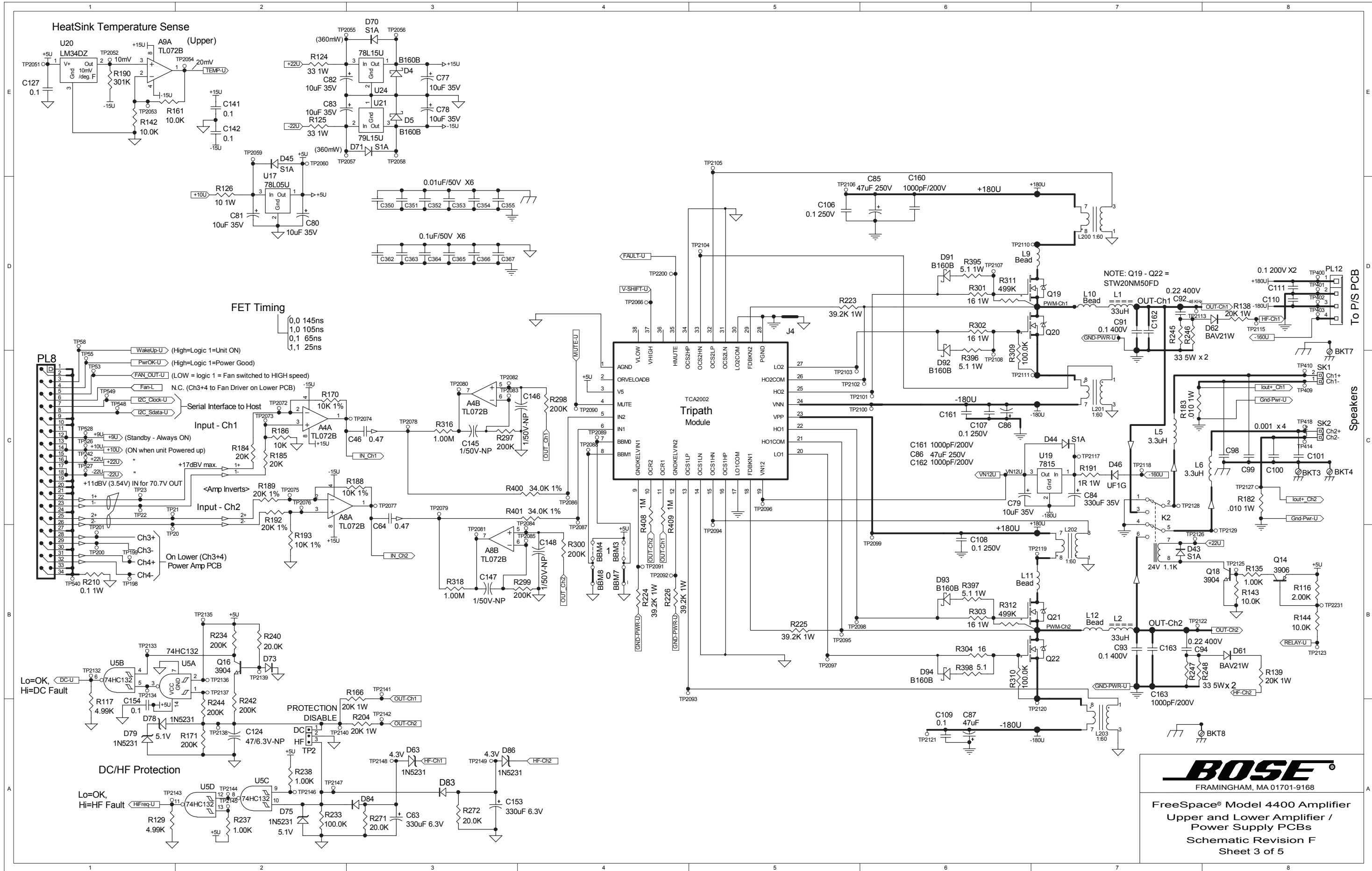


voltage	SW2	SW3	White	Blue/Wht	Blue	Violet	Gray	Brown
100V	1-3/2-4	2-4						
120V	1-3/2-4	4-6						
220V	3-5	2-4						
240V	3-5	4-6						



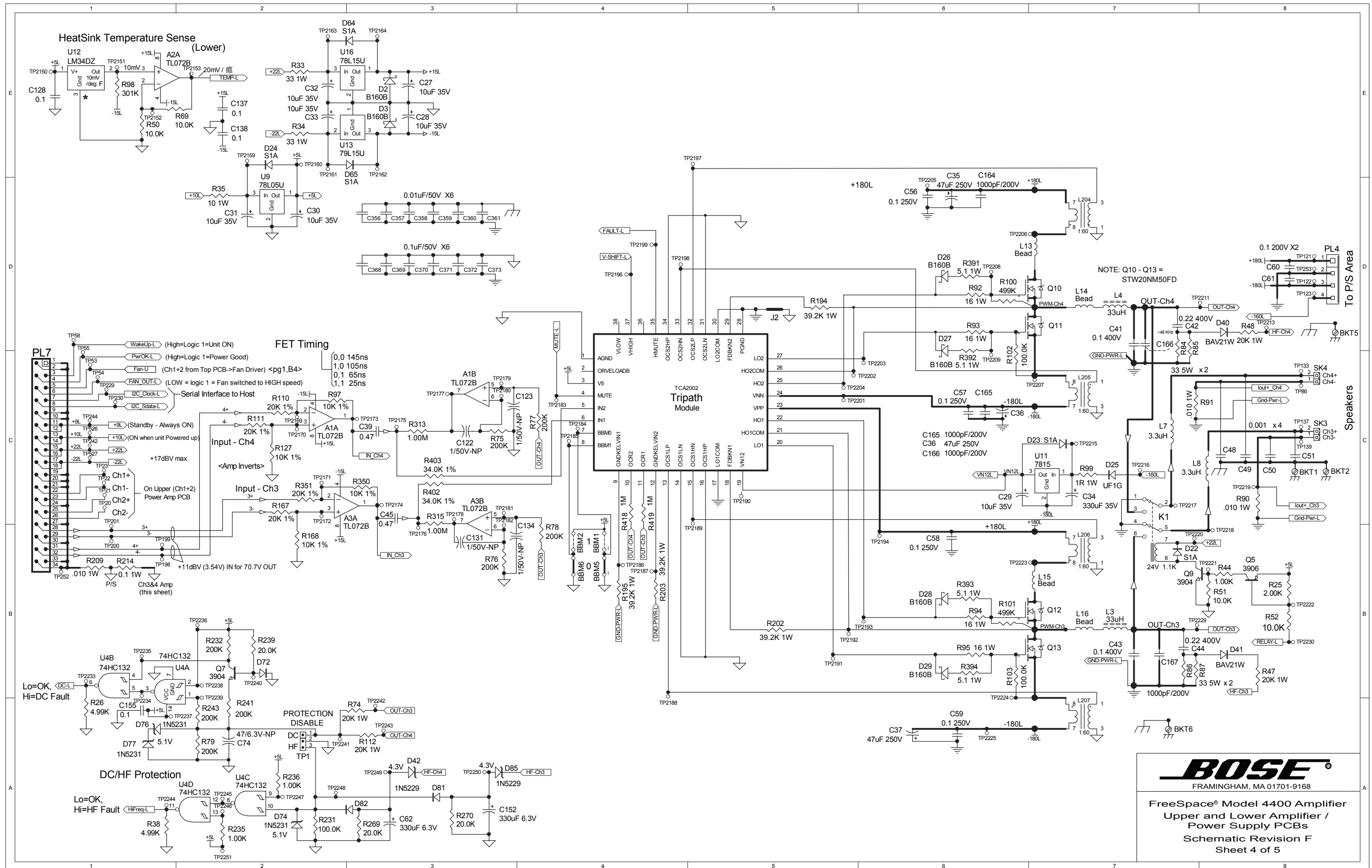
FreeSpace® Model 4400 Amplifier
 Interconnection Diagram
 Schematic Revision F
 Sheet 1 of 5




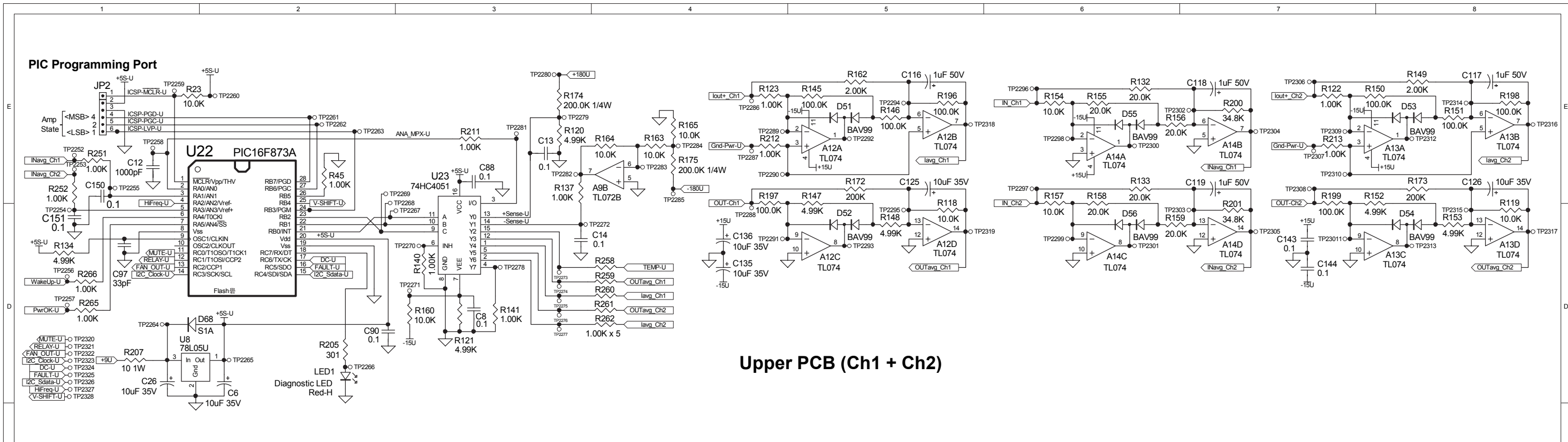


FRAMINGHAM, MA 01701-9168

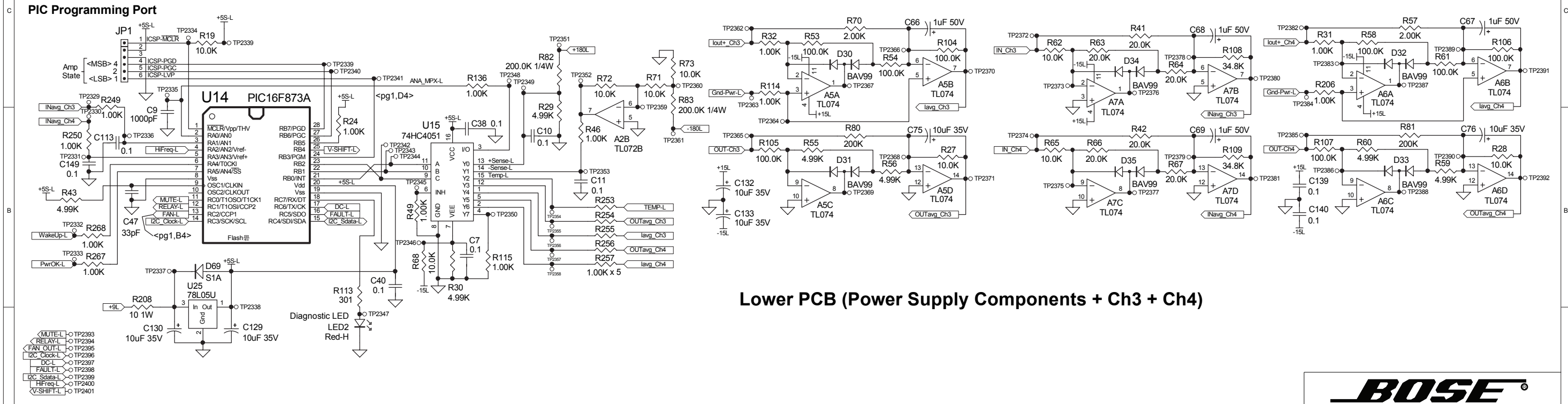
FreeSpace® Model 4400 Amplifier
 Upper and Lower Amplifier /
 Power Supply PCBs
 Schematic Revision F
 Sheet 3 of 5




 FRAMINGHAM, MA 01701-9168
FreeSpace® Model 4400 Amplifier
Upper and Lower Amplifier /
Power Supply PCBs
Schematic Revision F
Sheet 4 of 5



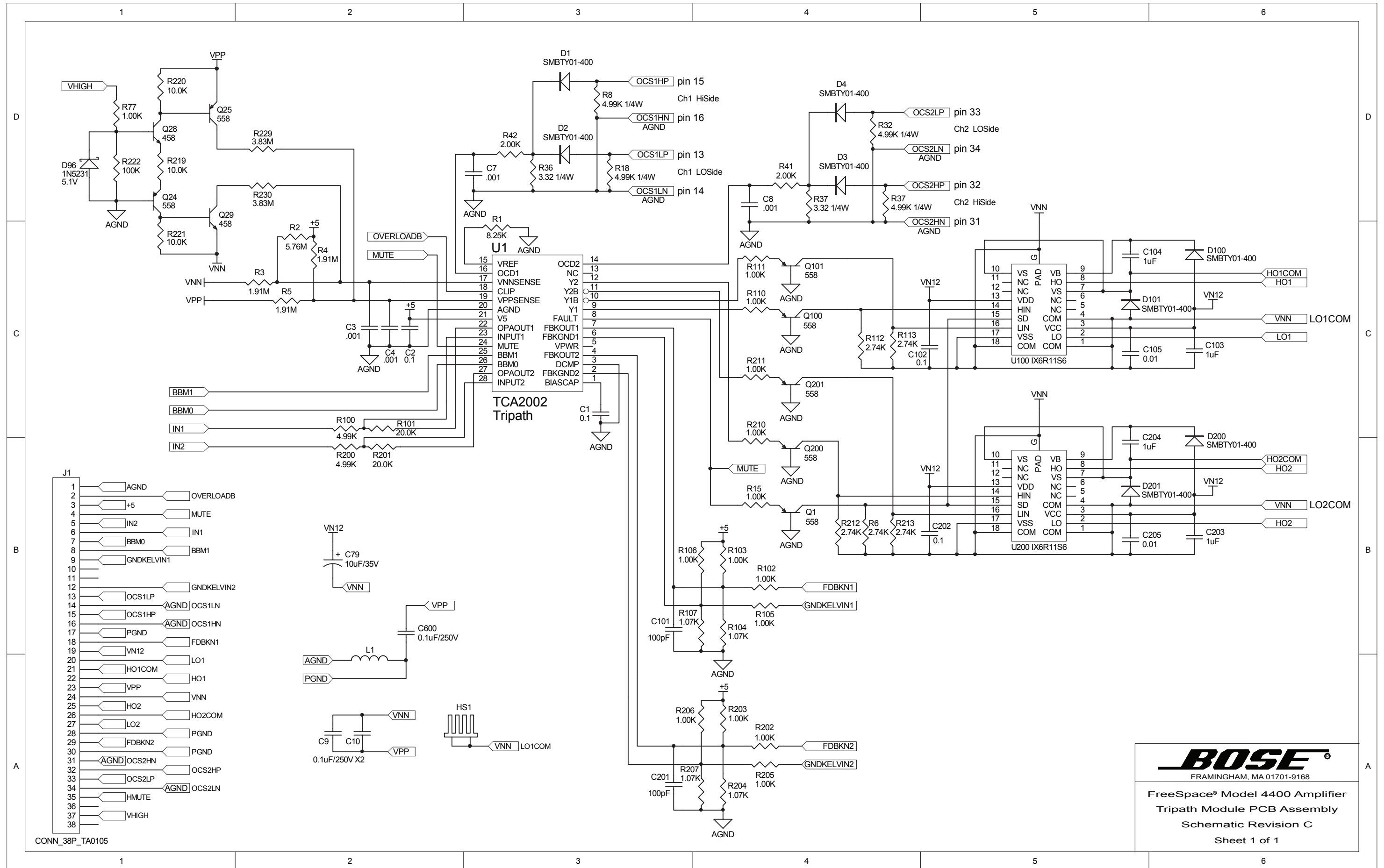
Upper PCB (Ch1 + Ch2)



Lower PCB (Power Supply Components + Ch3 + Ch4)



FRAMINGHAM, MA 01701-9168
 FreeSpace® Model 4400 Amplifier
 Upper and Lower Amplifier /
 Power Supply PCBs
 Schematic Revision F
 Sheet 5 of 5



FRAMINGHAM, MA 01701-9168

FreeSpace® Model 4400 Amplifier
Tripath Module PCB Assembly
Schematic Revision C

Sheet 1 of 1

CONN_38P_TA0105