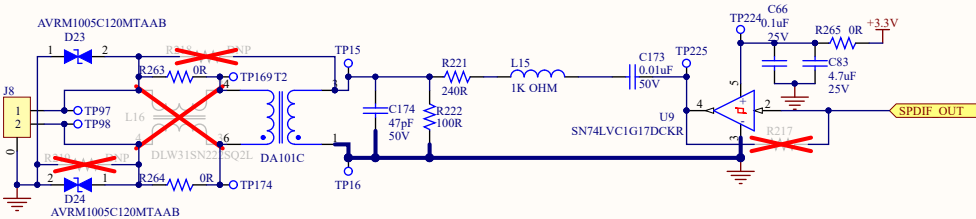
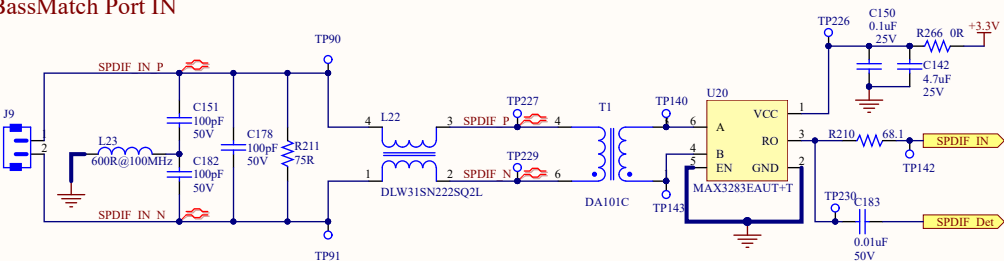
	864959-001S			Grand Prix Sub2 Main Board			Description of Changes/Notes Rev.		
	Product: Grand Prix		File Name: Top Level.SchDoc		Part Number: Part Number			Size: A3	
	Revision: 2.0.1	Drawn By: *	Checked By: *		Mod By: *			Mod Date: 2020/2/28	
	Status: <i>D/P2.0.1</i>	Lead Engineer: *		Date: 2020/3/17		Time: 8:48:21		Sheet: 1 of 7	
	Date: 2020/3/17		Time: 8:48:21		Sheet: 1 of 7				
	Date: 2020/3/17		Time: 8:48:21		Sheet: 1 of 7				
	Date: 2020/3/17		Time: 8:48:21		Sheet: 1 of 7				

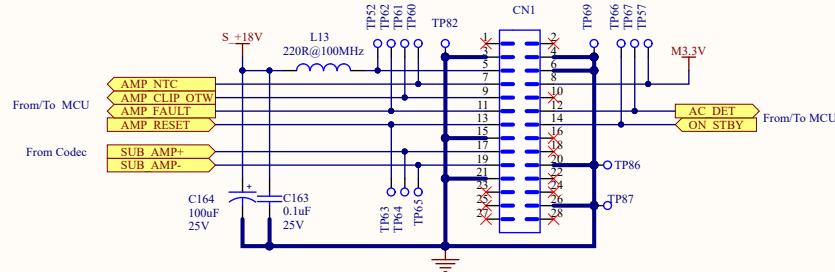
BassMatch Port THRU



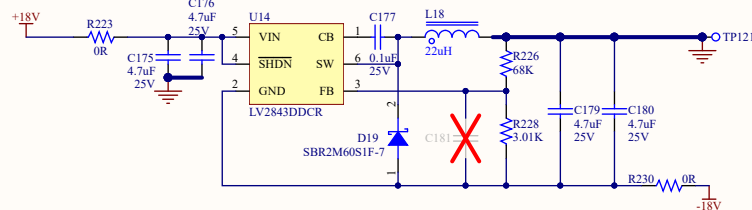
BassMatch Port IN



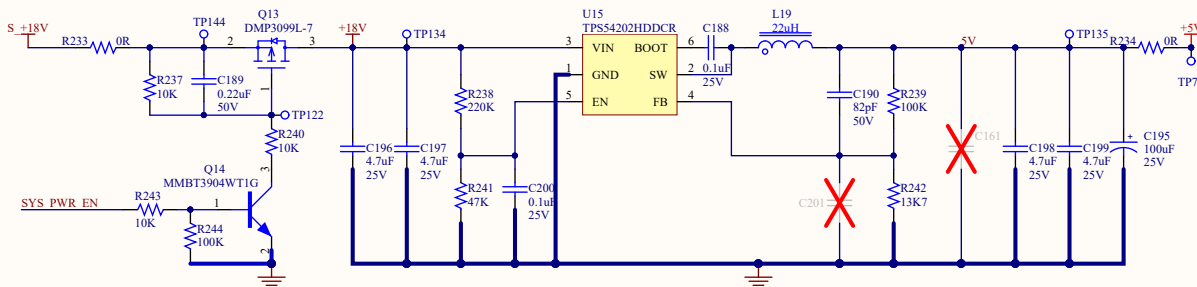
Connect to Power& Board



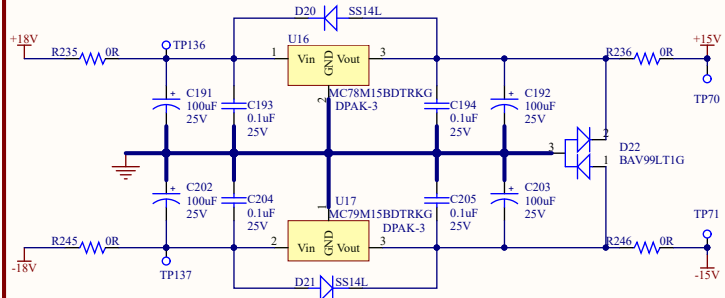
Power-18V



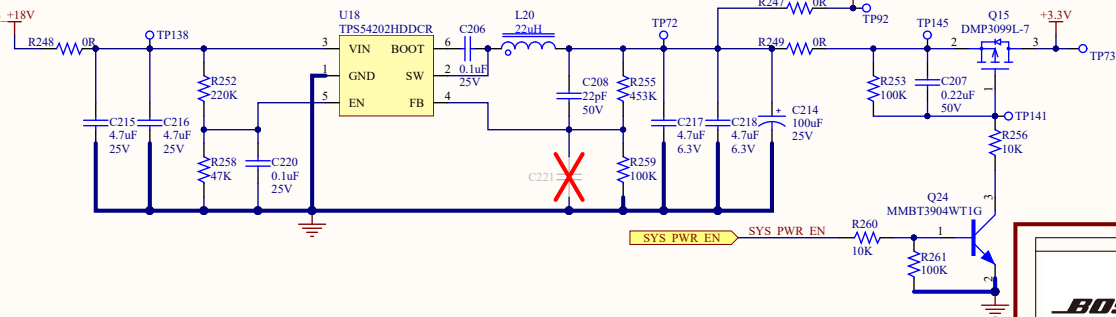
Power 5V



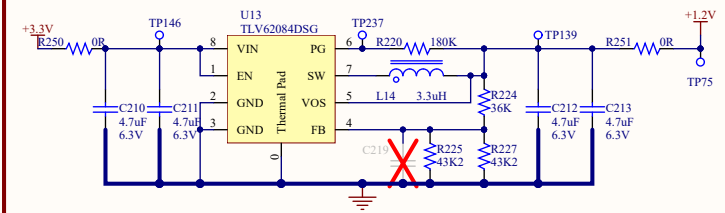
Power +/-15V



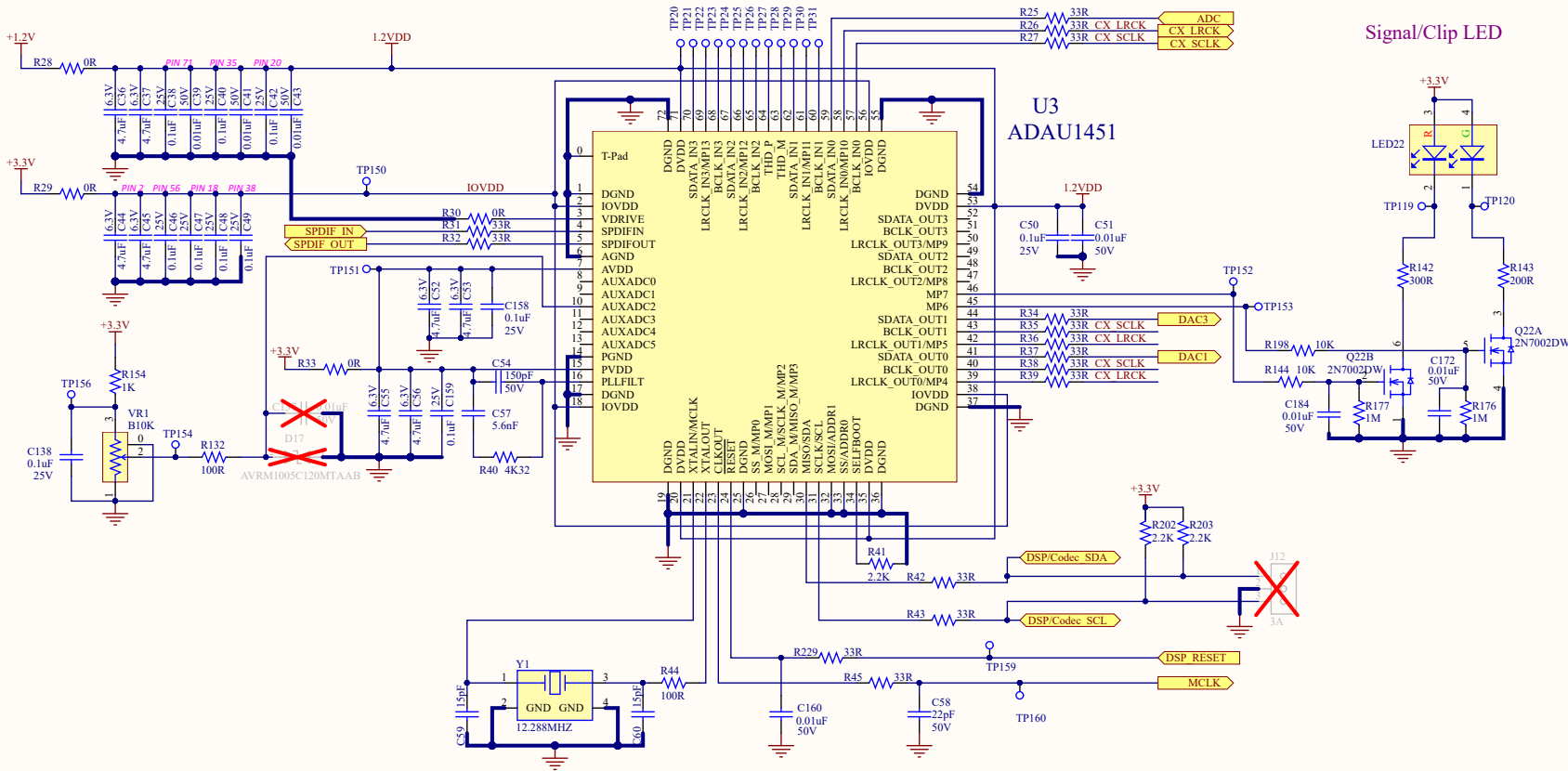
Power 3.3V



Power 1.2V



Grand Prix Sub Main Board					Description of Changes/Notes	Rev.
Product:	Grand Prix	File Name:	Power_SchDoc	Size:	A3	0.4
Part Number:	Part Number	Revision:	2.0.1	Drawn By:	Mod By:	
Status:	D/P2.0.1	Checked By:	*	Approved By:	Mod Date:	
Lead Engineer:	*	Date:	2020/3/17	Time:	8:48:21	
Sheet:	2	of	7			
864959-001S						



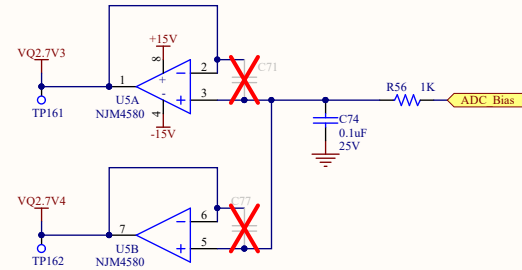
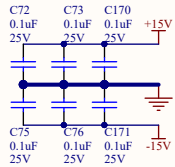
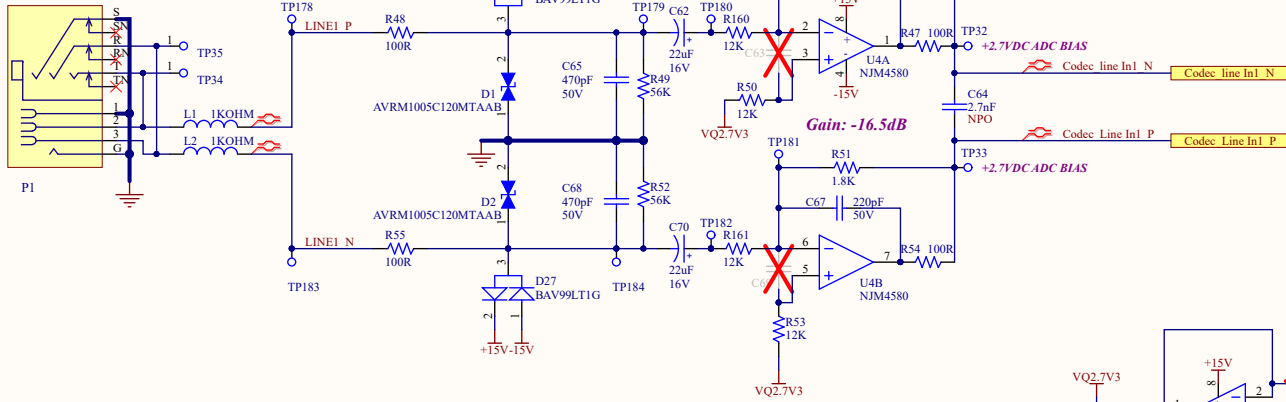
Grand Prix Sub Main Board				Description of Changes/Notes	Rev.
Product: Grand Prix					
File Name: DSP_SchDoc					
Part Number: Part Number		Size: A3			
Revision: 2.0.1	Drawn By: xujun.Chen	Mod By: *			
Status: <i>D/P2.0.1</i>	Checked By: *	Mod Date: 2020/2/28			
Lead Engineer: *	Approved By: *				
Date: 2020/3/17	Time: 8:48:21	Sheet: 5 of 9			



64959-001S

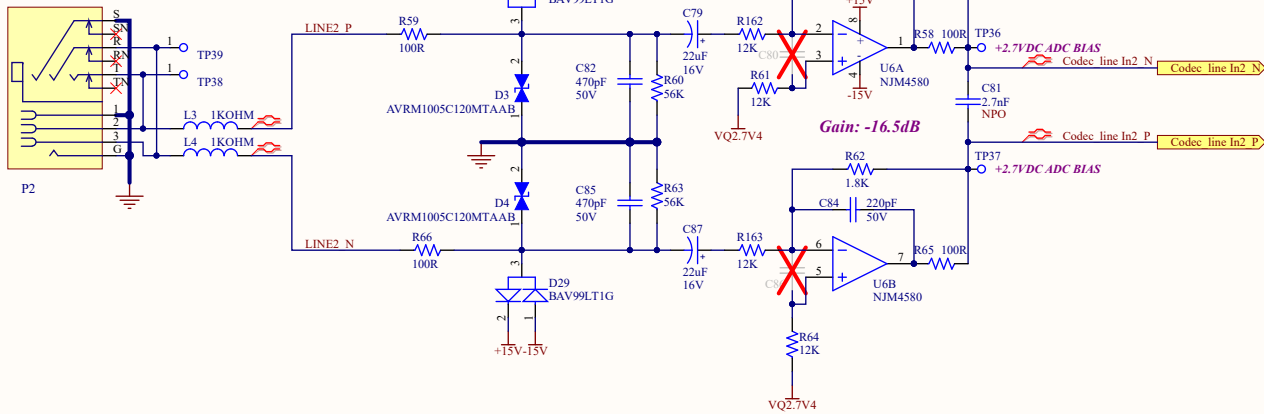
Input level
Sensitivity: +4dBu
MAX: +24dBu

INPUT#1

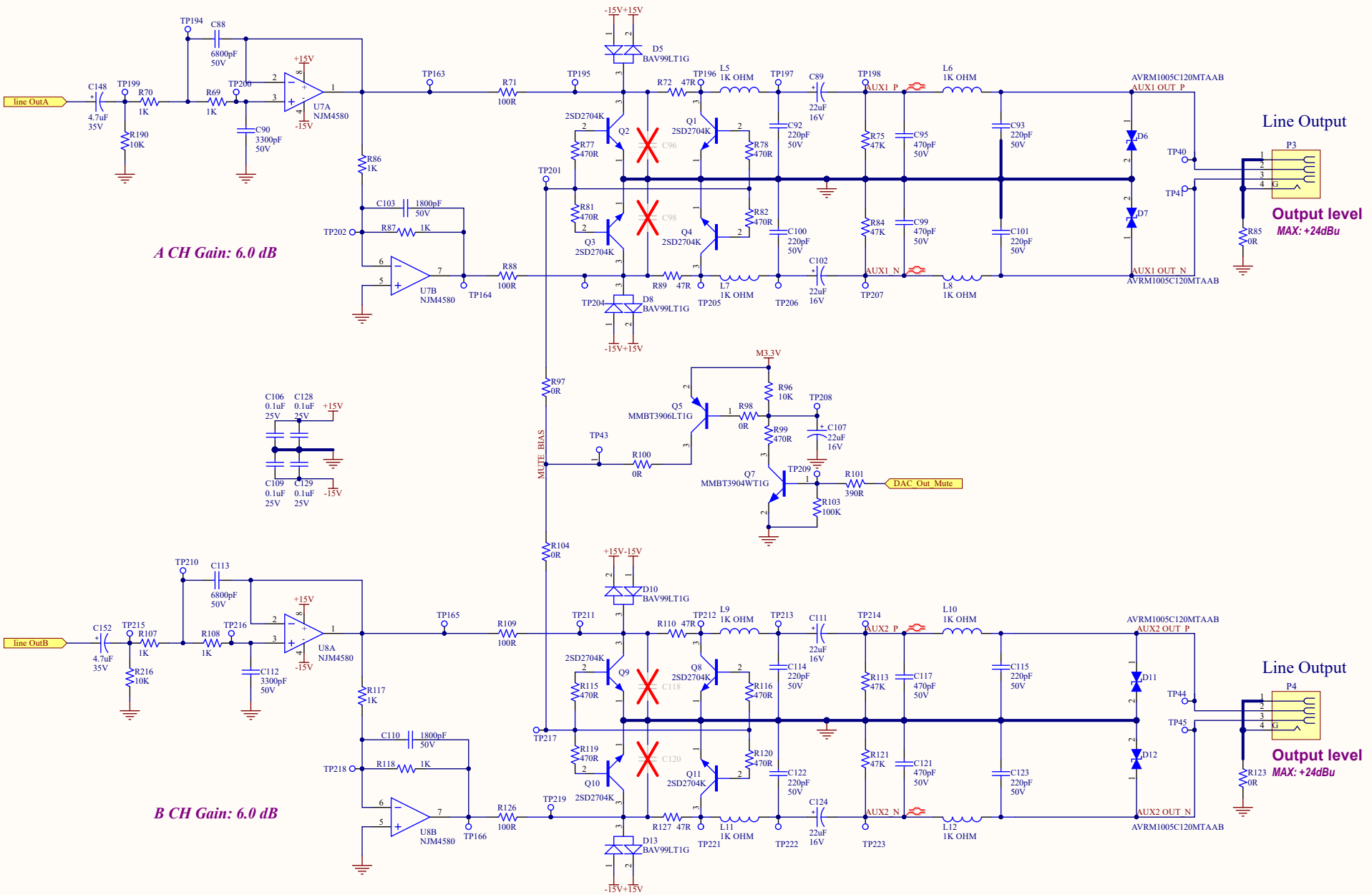


Input level
Sensitivity: +4dBu
MAX: +24dBu

INPUT#2



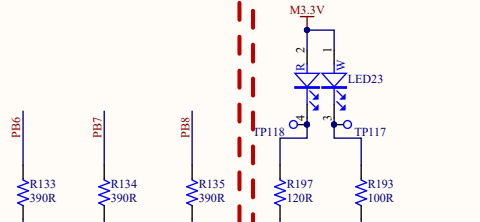
Client			Grand Prix Sub Main Board		Description of Changes/Notes	Rev.
Product: Grand Prix File Name: Line Input_SchDoc Part Number: Part Number		Drawn By: xujun.Chen Checked By: * Lead Engineer: * Date: 2020/3/17		Size: A3 Mod By: * Mod Date: 2020/2/28 Approved By: * Sheet: 6 of 9		0.4
Revision: 2.0.1 Status: DP2.0.1		Time: 8:48:21				



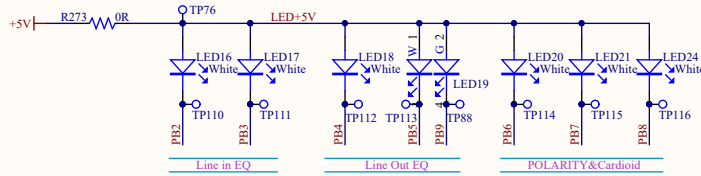
Client	TYMPHANY		Grand Prix Sub Main Board		Description of Changes/Notes	Rev.
			Product: Grand Prix File Name: Line Output SchDoc Part Number: Part Number Revision: 2.0.1 Status: D/P2.0.1 Lead Engineer: * Date: 2020/3/17			
Product: Grand Prix File Name: Line Output SchDoc Part Number: Part Number Revision: 2.0.1 Status: D/P2.0.1 Lead Engineer: * Date: 2020/3/17			Drawn By: xujun.Chen Checked By: * Mod Date: 2020/2/28 Approved By: * Time: 8:48:21		Size: A3 Mod By: * Mod Date: 2020/2/28 Approved By: * Sheet: 7 of 9	0.4

Polarity & Cardioid LED

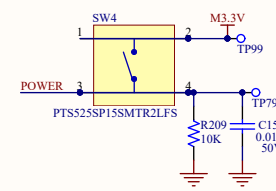
POWER & FAULT LED



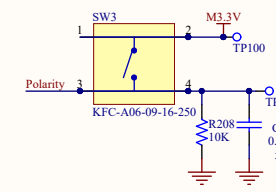
LED Indication



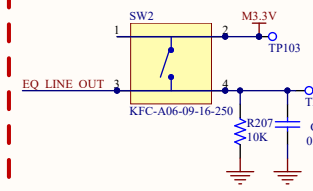
Power



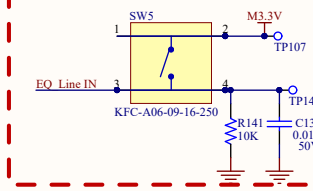
Polarity



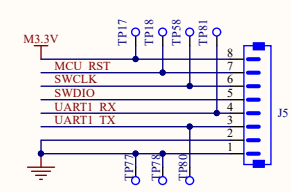
Line Out EQ



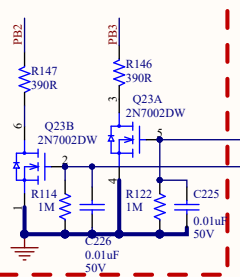
Line IN EQ



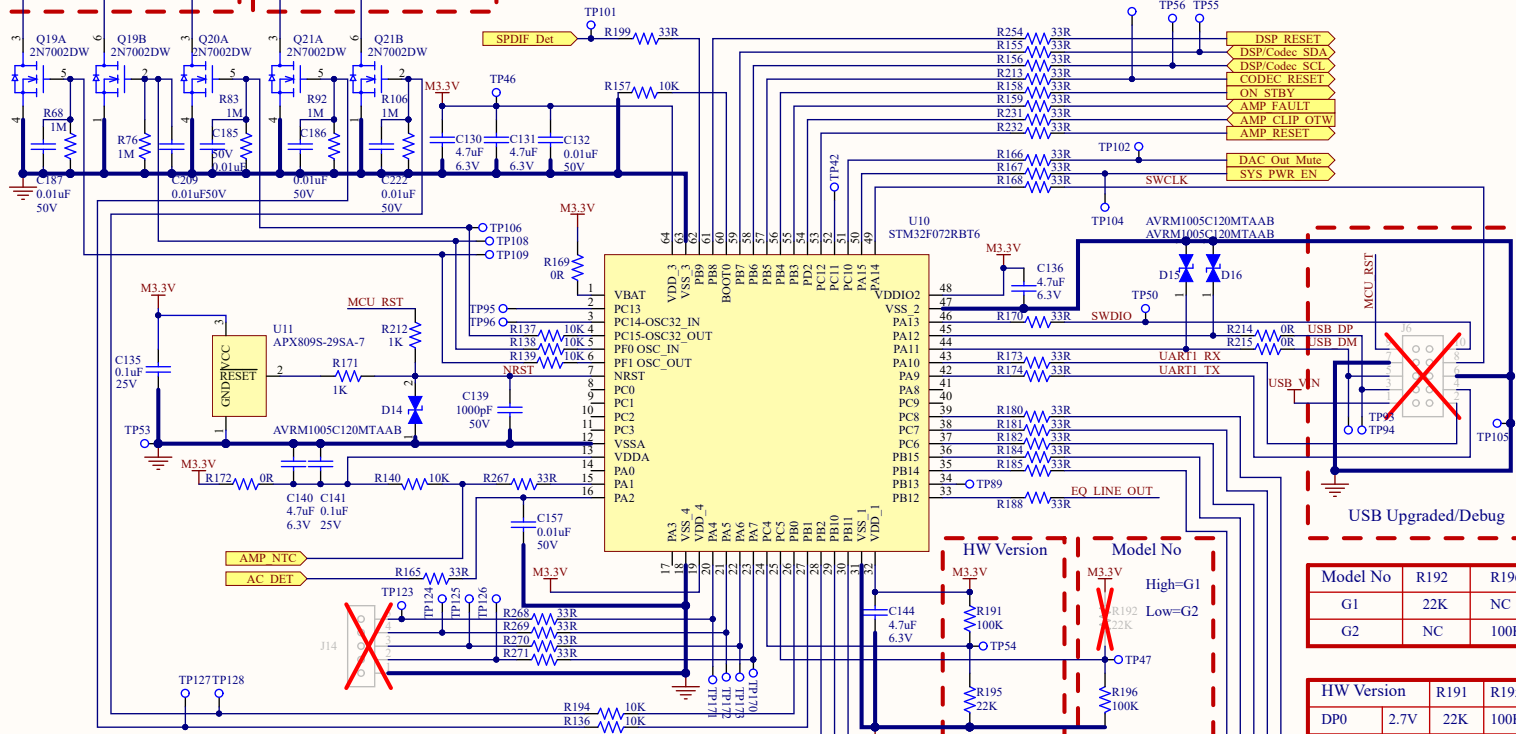
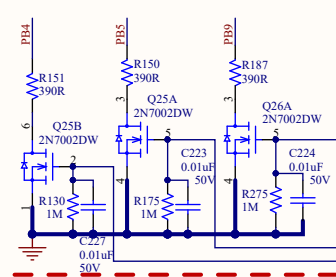
For SW Upgraded/Debug



Line IN EQ-LED



Line Out EQ-LED



Model No	R192	R196
G1	22K	NC
G2	NC	100K

HW Version	R191	R195
DP0	2.7V	22K
DP1.1	0.3V	100K
DP2	0.6V	100K
MP1	0.9V	100K
PILOT	1.2V	100K
Production	1.5V	100K

TYMPHANY

Grand Prix Sub Main Board

Description of Changes/Notes

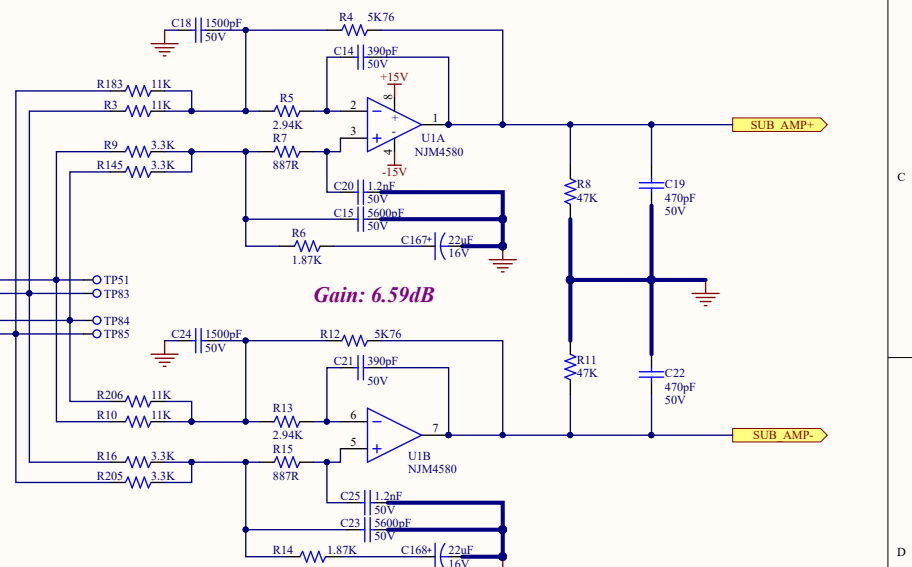
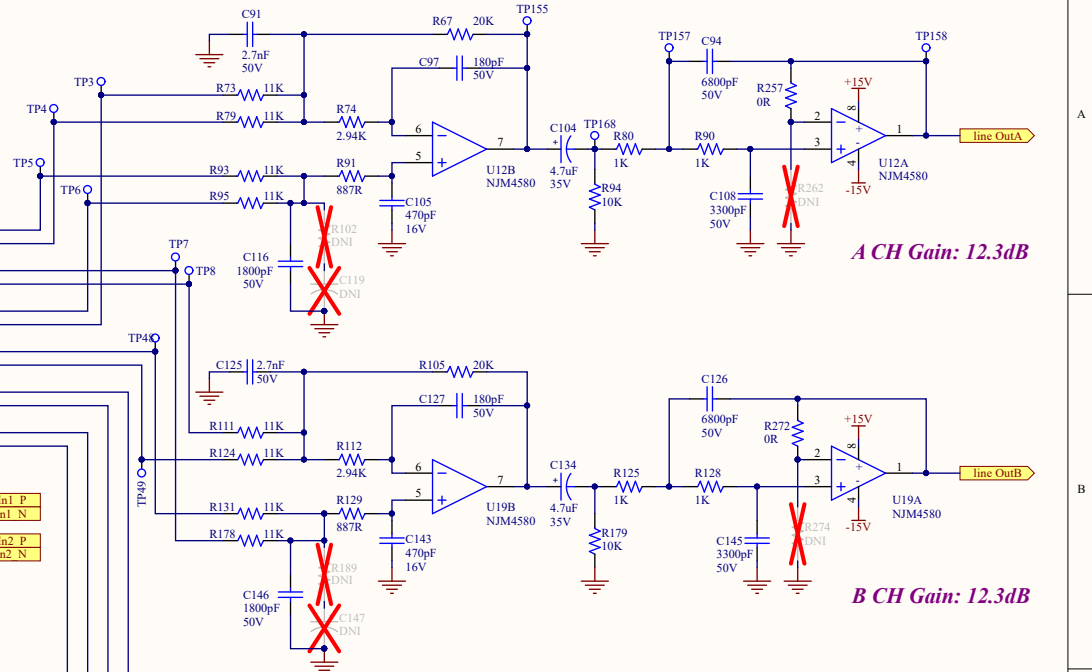
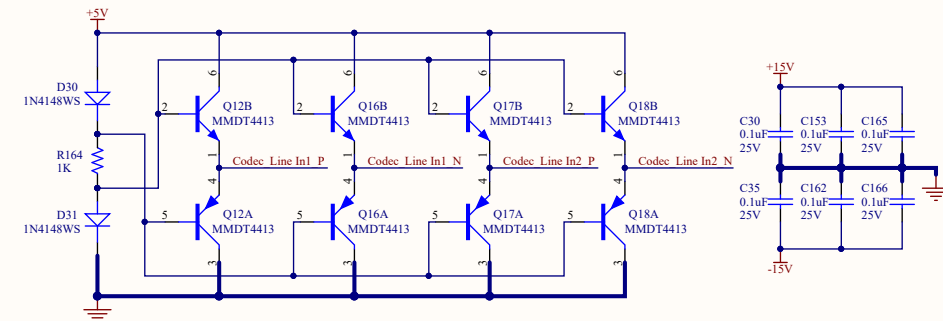
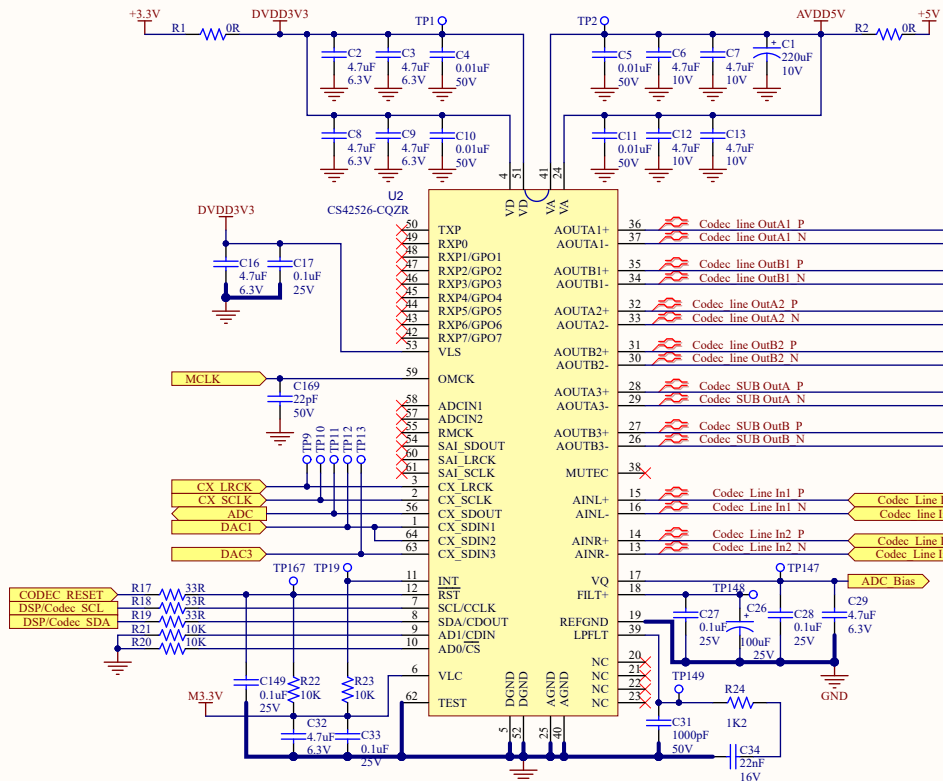
Client:

Product: Grand Prix
File Name: MCU.SchDoc
Part Number: Part Number
Revision: 2.0.1
Status: D/P2.0.1
Lead Engineer: *
Date: 2020/3/17

Drawn By: xujun.Chen
Checked By: *
Mod By: *
Mod Date: 2020/3/4
Approved By: *
Time: 8:48:21

Size: A3
Mod By: *
Mod Date: 2020/3/4
Approved By: *
Sheet: 8 of 9

Rev. 0.4



Client	Product	Description of Changes/Notes	Rev.																		
BOSE	Grand Prix Sub Main Board		0.4																		
<table border="1"> <tr> <td>Product: Grand Prix</td> <td>File Name: Codec.SchDoc</td> <td>Size: A3</td> </tr> <tr> <td>Part Number: Part Number</td> <td>Revision: 2.0.1</td> <td>Drawn By: xujun.Chen</td> </tr> <tr> <td>Status: DP2.0.1</td> <td>Checked By: *</td> <td>Mod By: *</td> </tr> <tr> <td>Lead Engineer: *</td> <td>Lead Engineer: *</td> <td>Mod Date: 2020/2/28</td> </tr> <tr> <td>Date: 2020/3/17</td> <td>Time: 8:48:22</td> <td>Approved By: *</td> </tr> <tr> <td></td> <td></td> <td>Sheet: 9 of 9</td> </tr> </table>				Product: Grand Prix	File Name: Codec.SchDoc	Size: A3	Part Number: Part Number	Revision: 2.0.1	Drawn By: xujun.Chen	Status: DP2.0.1	Checked By: *	Mod By: *	Lead Engineer: *	Lead Engineer: *	Mod Date: 2020/2/28	Date: 2020/3/17	Time: 8:48:22	Approved By: *			Sheet: 9 of 9
Product: Grand Prix	File Name: Codec.SchDoc	Size: A3																			
Part Number: Part Number	Revision: 2.0.1	Drawn By: xujun.Chen																			
Status: DP2.0.1	Checked By: *	Mod By: *																			
Lead Engineer: *	Lead Engineer: *	Mod Date: 2020/2/28																			
Date: 2020/3/17	Time: 8:48:22	Approved By: *																			
		Sheet: 9 of 9																			