

Bose® ControlSpace® Fixed-I/O ESP Network Control Card

Installation Guide

CAUTIONS:

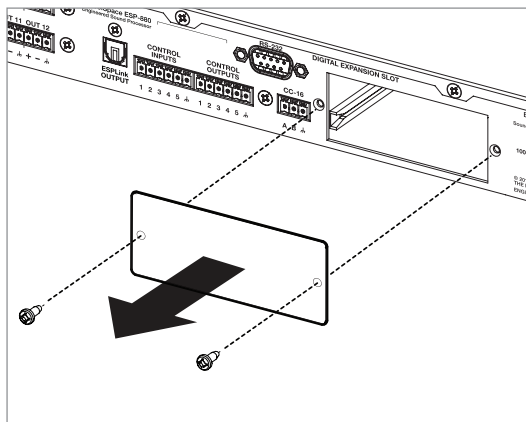
- This product is intended for installation by professional installers only.
- Make no modification to the system or accessories. Unauthorized alterations may compromise safety, regulatory compliance, and system performance.
- Electro-Static Discharge (ESD) sensitive device. Handle with care.
- F/UTP shielded Cat5e cabling is recommended for use with this product.

Thank you for selecting Bose® ControlSpace® fixed-I/O engineered sound processors. This document is intended to provide professional installers with basic installation and safety guidelines for installing the optional ControlSpace Network Control card into a Bose® fixed-I/O engineered sound processor. Please read this document before attempting installation.

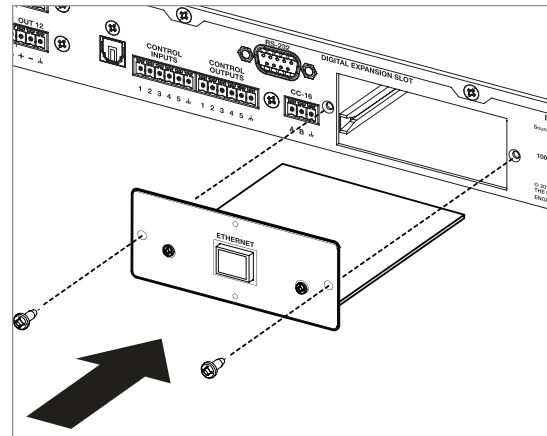
Note: Do not connect both the front panel network connection and the Network Control card connection to the same network switch or router.

To install the Network Control card:

1. Uplug the processor.
2. Remove the rear expansion slot cover by removing the two cover screws.



3. Align the Network Control card with the plastic card guides in the open slot. Insert the card until the rear panel is flush with the processor.



4. Secure the card in the slot using the two cover screws removed earlier and attach the network cable.
5. Plug in the power cord to turn on the processor. Wait 30 seconds for the processor to fully boot.
6. Verify that the card was inserted correctly. With the processor connected to the network, start ControlSpace® Designer™ software (version 4.2 or newer). Click **Scan** and confirm that the software detects the processor.
7. If the card does not appear, repeat steps 1-6. Be sure that the card is completely pushed into the slot, and that the card is properly aligned with the plastic card guides.

BOSE PROFESSIONAL
pro.Bose.com

BOSE
Better sound through research®



741428-0010

© 2015 Bose Corporation. The Mountain, Framingham, MA 01701-9168 USA AM741428 Rev. 00

All rights reserved. All trademarks are the property of their respective owners.