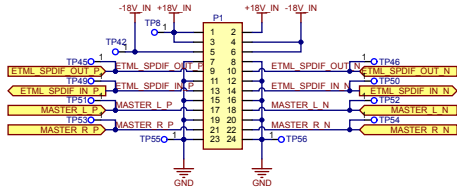
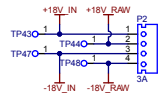


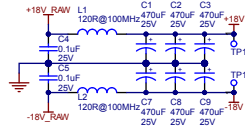
DAUGHTERBOARD
PWR/SPDIF INTERFACE



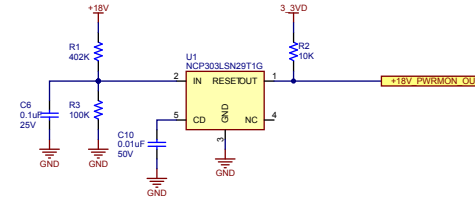
TO POWER SWITCH



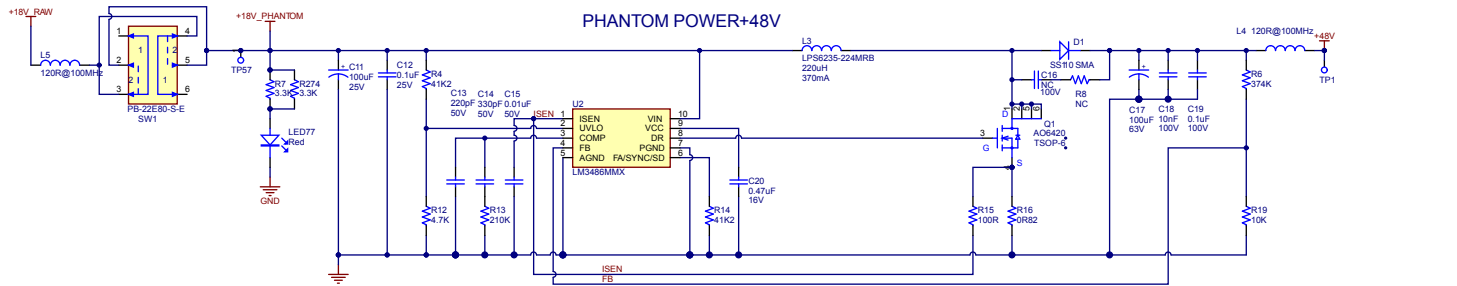
INCOMING +18V VOLTAGE



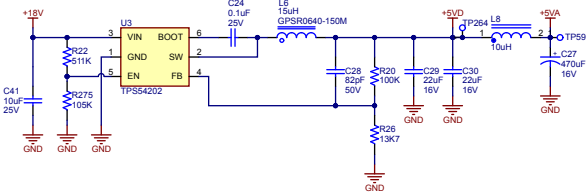
INCOMING +18V VOLTAGE MONITOR



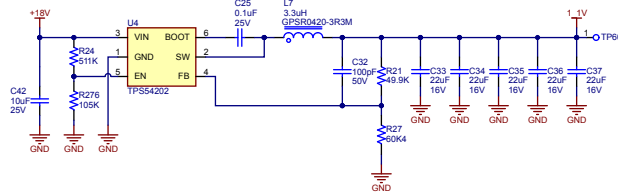
PHANTOM POWER+48V



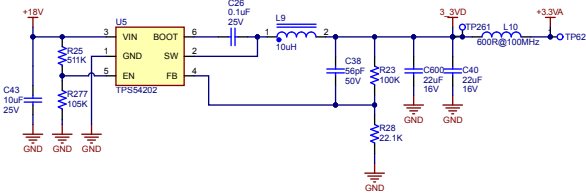
+5VD, 2A SWITCHING REGULATOR



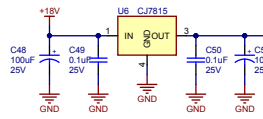
+1.1V, 2A SWITCHING REGULATOR



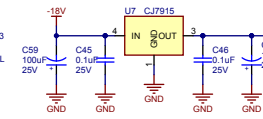
+3.3VD, 2A SWITCHING REGULATOR



+15V, 1A LDO FORANALOG I/O



-15V, 1A LDO FORANALOG I/O

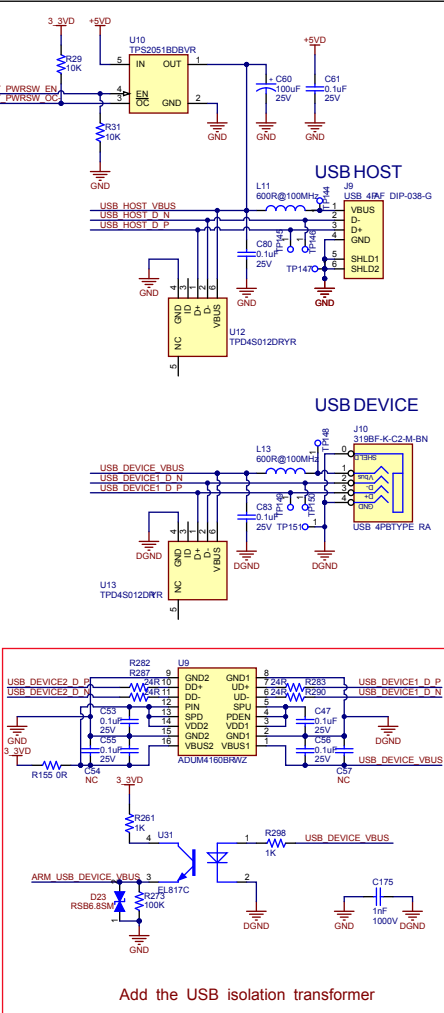
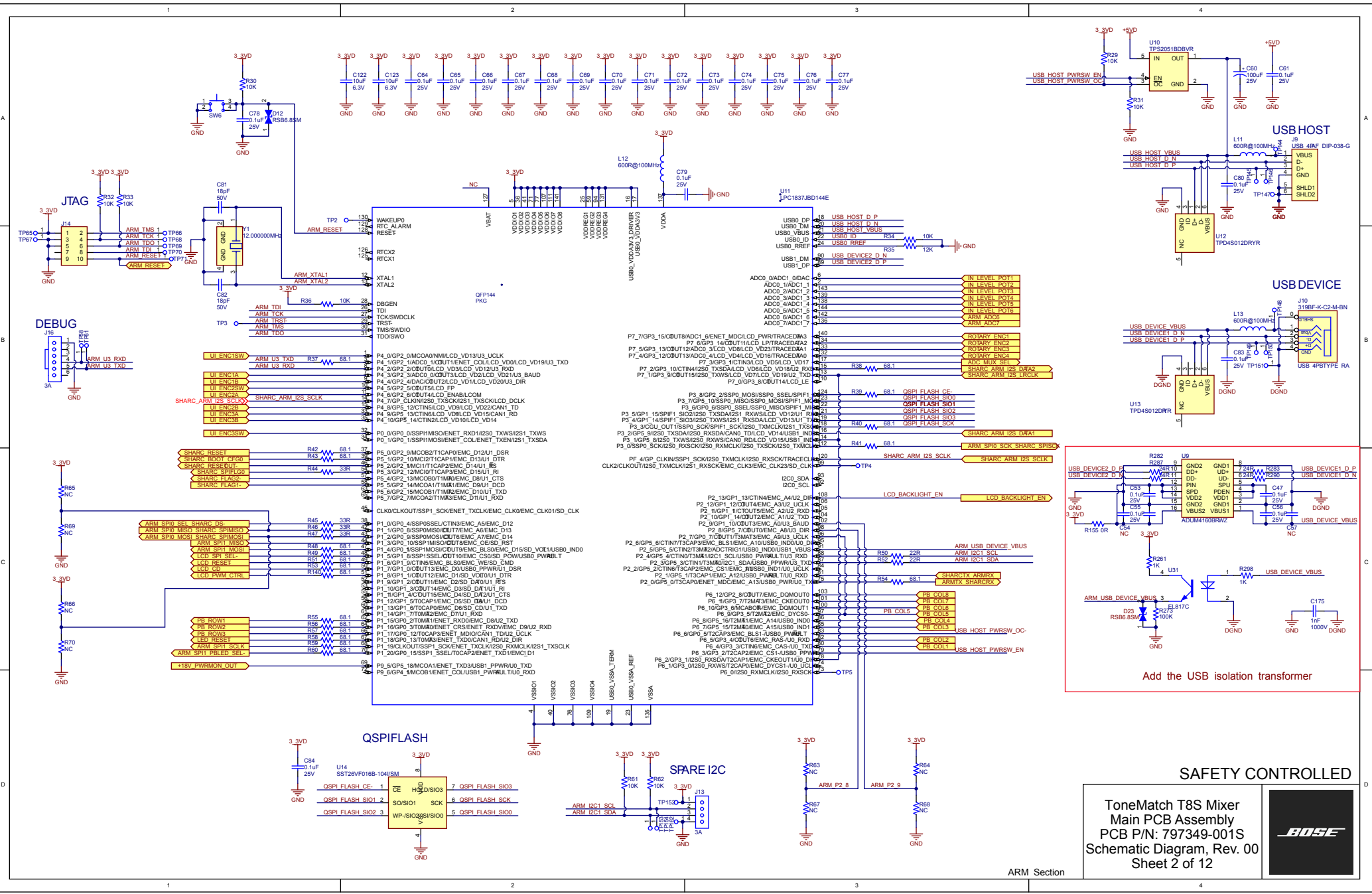


SAFETY CONTROLLED

ToneMatch T8S Mixer
Main PCB Assembly
PCB P/N: 797349-001S
Schematic Diagram, Rev. 00
Sheet 1 of 12



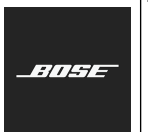
Power Section

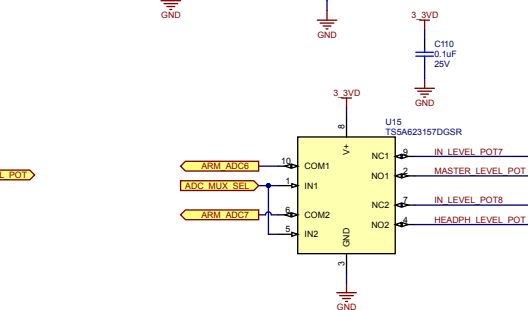
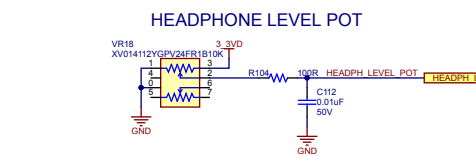
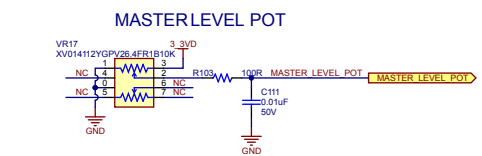
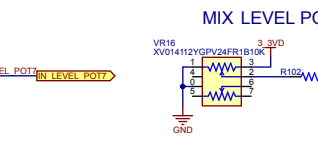
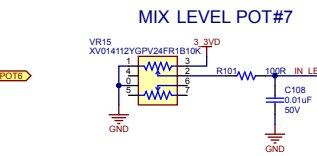
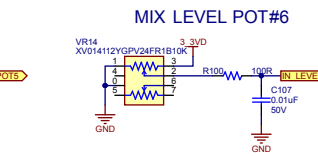
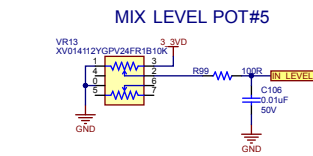
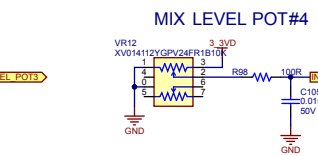
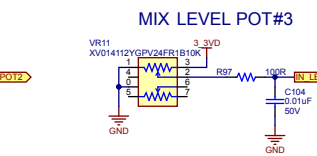
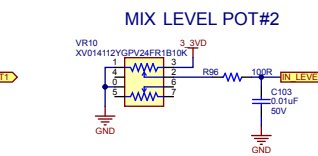
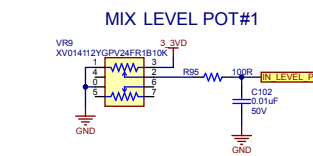
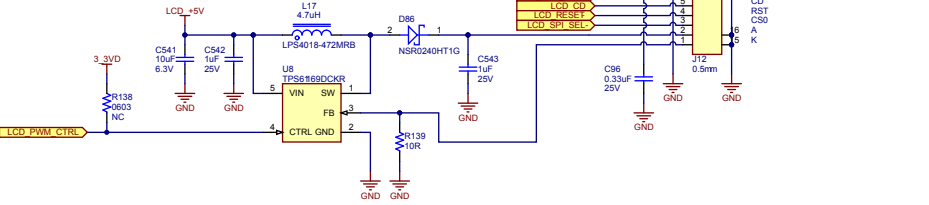
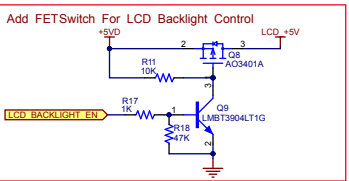
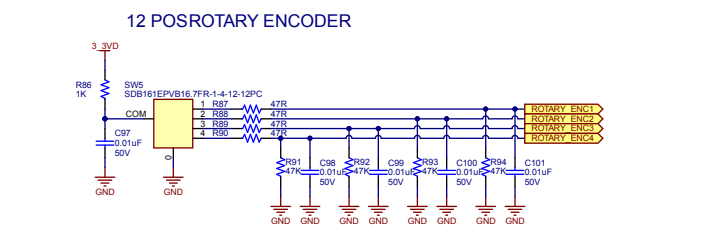
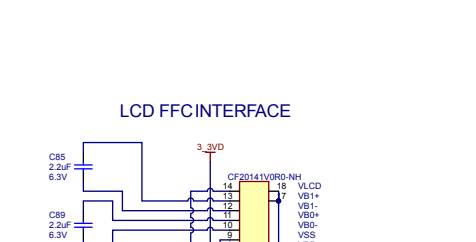
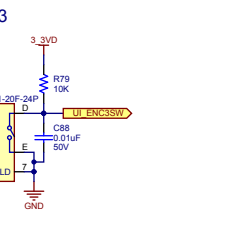
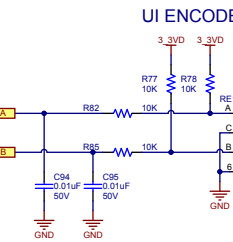
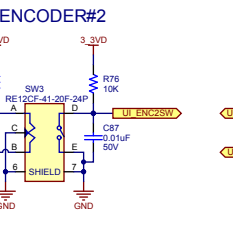
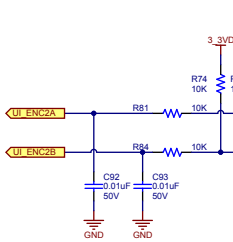
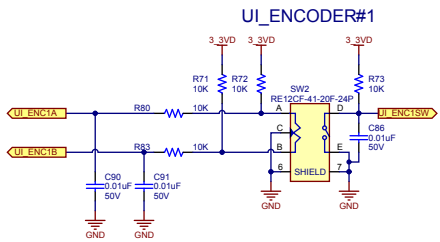


Add the USB isolation transformer

SAFETY CONTROLLED

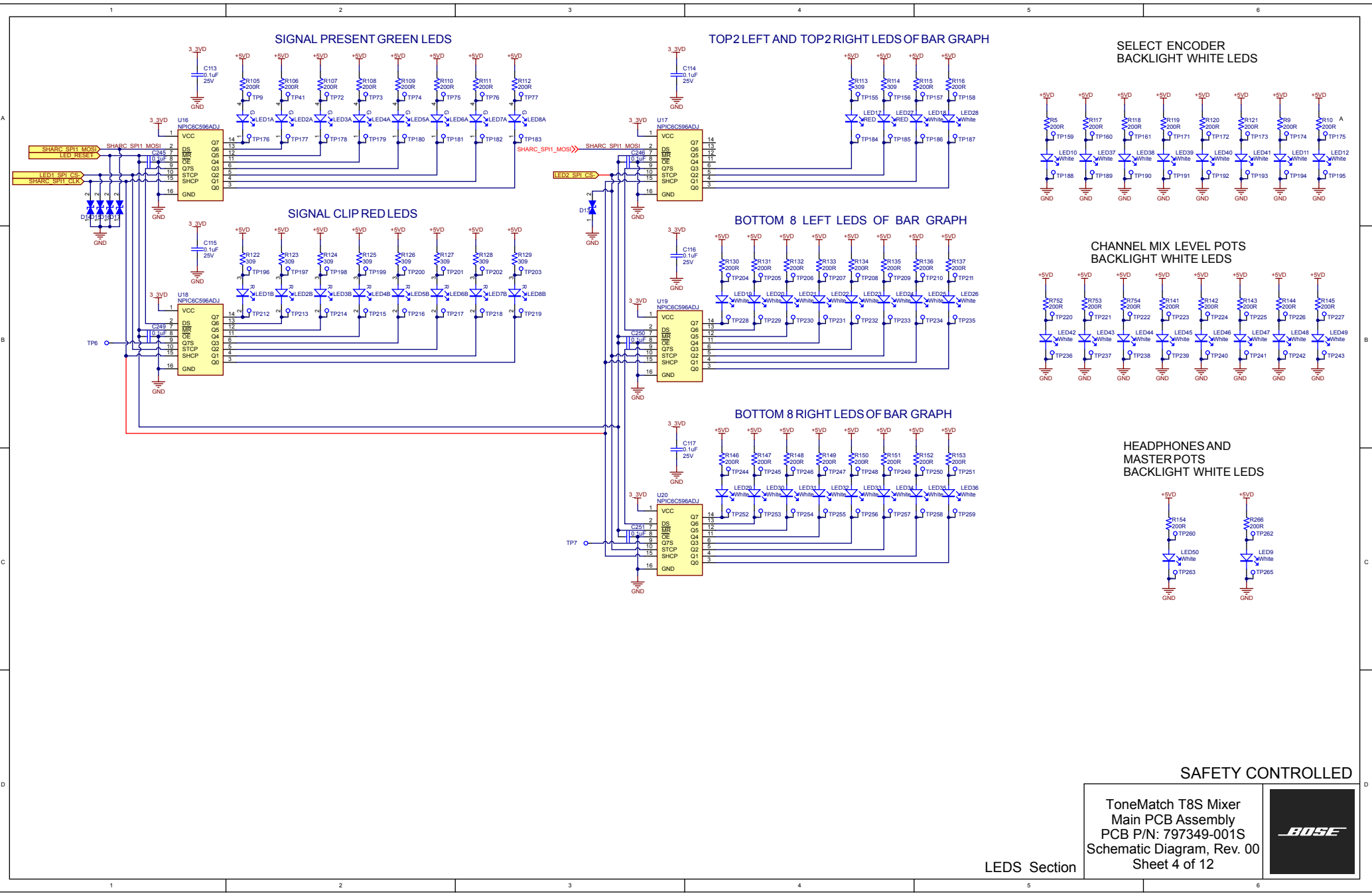
ToneMatch T8S Mixer
Main PCB Assembly
PCB P/N: 797349-001S
Schematic Diagram, Rev. 00
Sheet 2 of 12





SAFETY CONTROLLED

ToneMatch T8S Mixer
Main PCB Assembly
PCB P/N: 797349-001S
Schematic Diagram, Rev. 00
Sheet 3 of 12

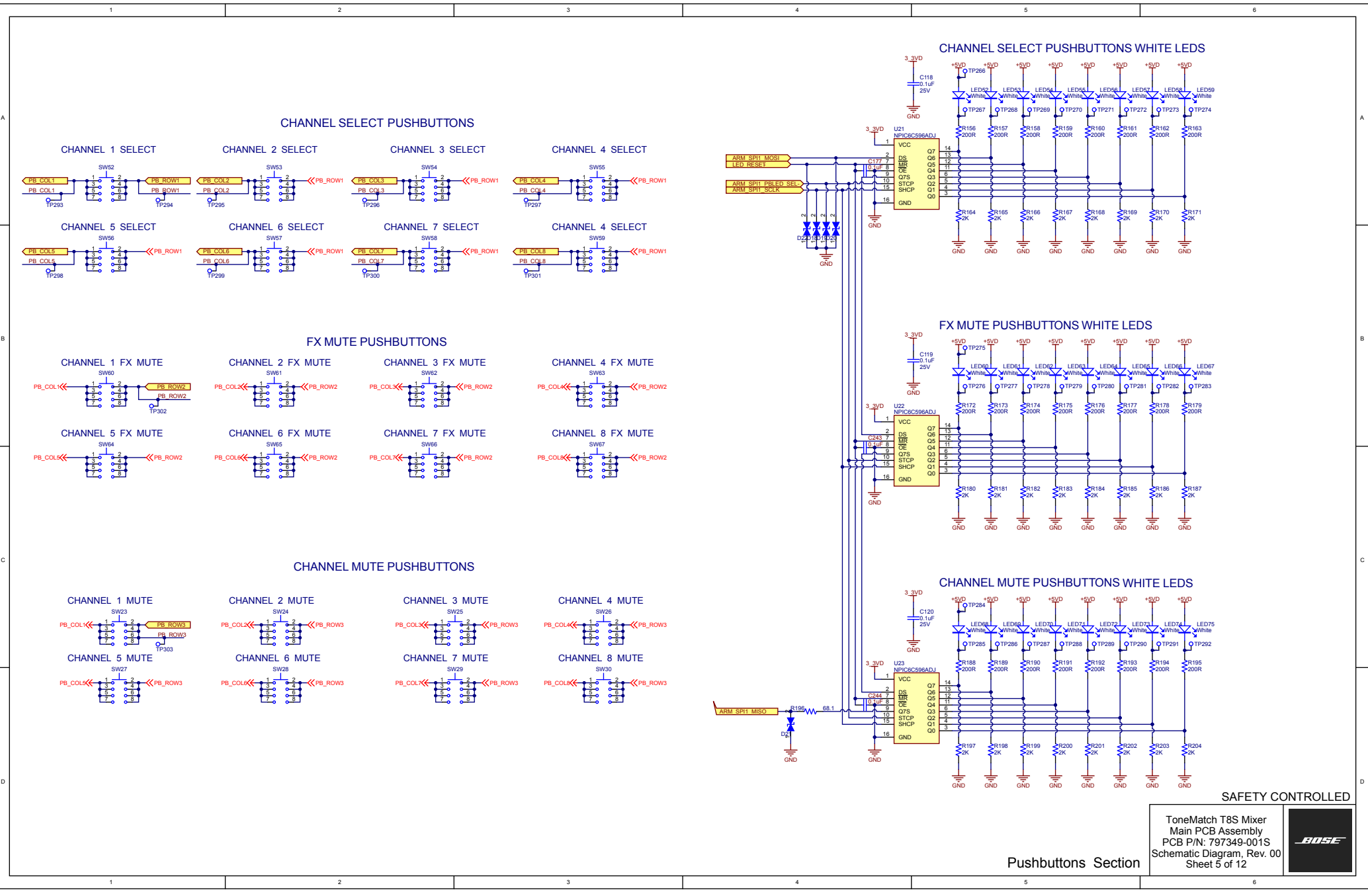


SAFETY CONTROLLED

ToneMatch T8S Mixer
 Main PCB Assembly
 PCB P/N: 797349-001S
 Schematic Diagram, Rev. 00
 Sheet 4 of 12



LEDS Section



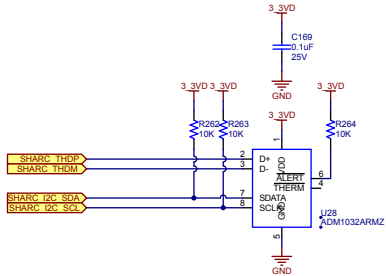
SAFETY CONTROLLED

ToneMatch T8S Mixer
 Main PCB Assembly
 PCB P/N: 797349-001S
 Schematic Diagram, Rev. 00
 Sheet 5 of 12

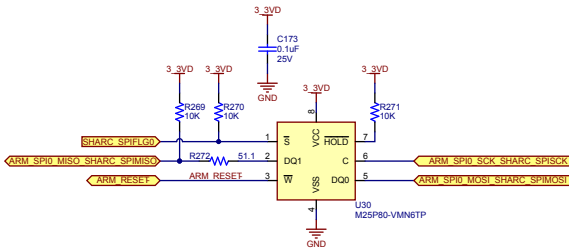


Pushbuttons Section

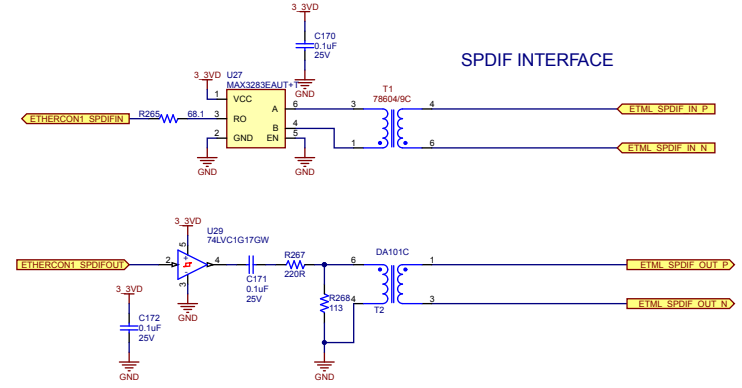
SHARC TEMPERATURE



OPTIONAL DSP BOOT FLASH



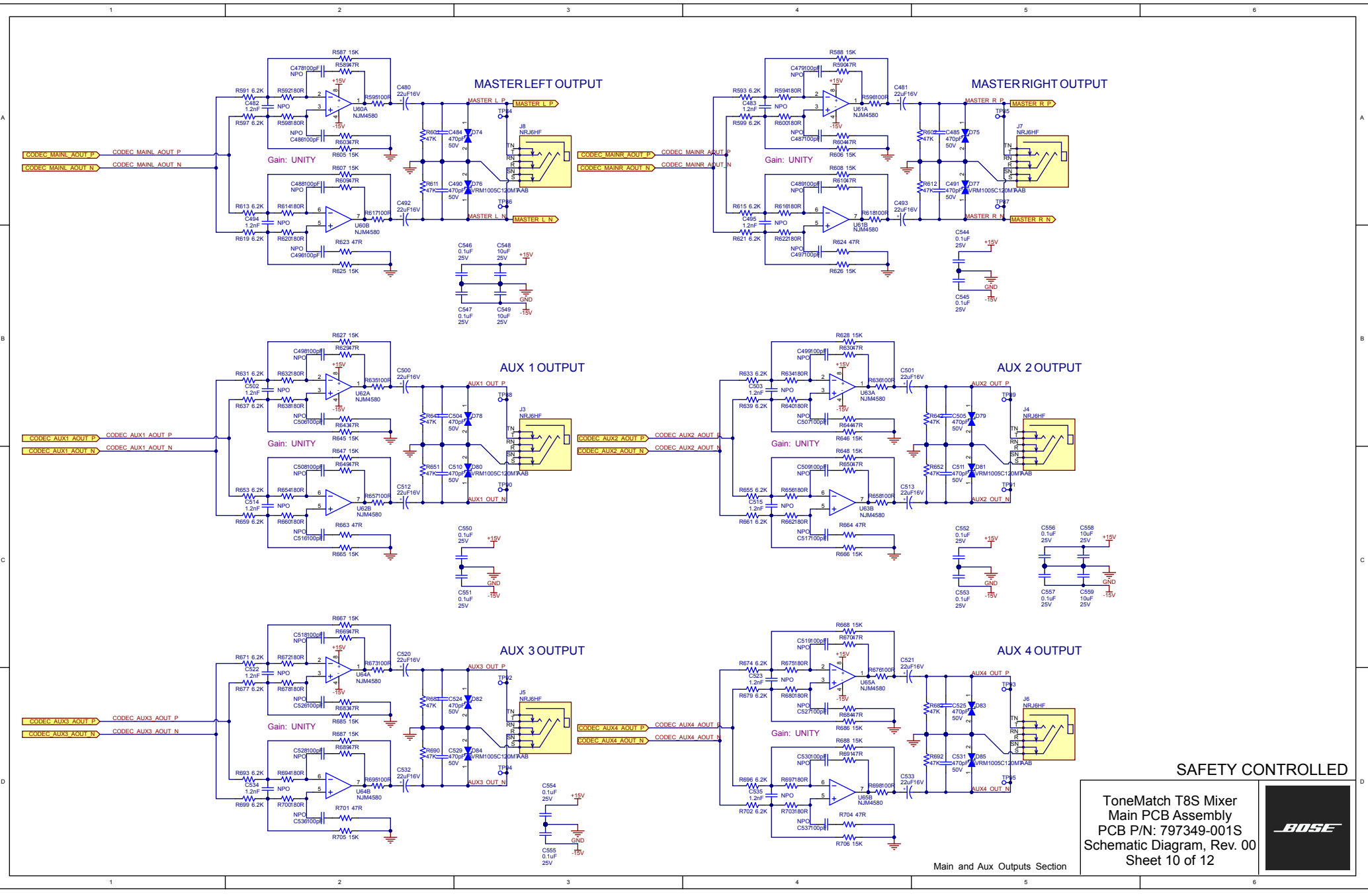
SPDIF INTERFACE



SAFETY CONTROLLED

ToneMatch T8S Mixer
Main PCB Assembly
PCB P/N: 797349-001S
Schematic Diagram, Rev. 00
Sheet 7 of 12





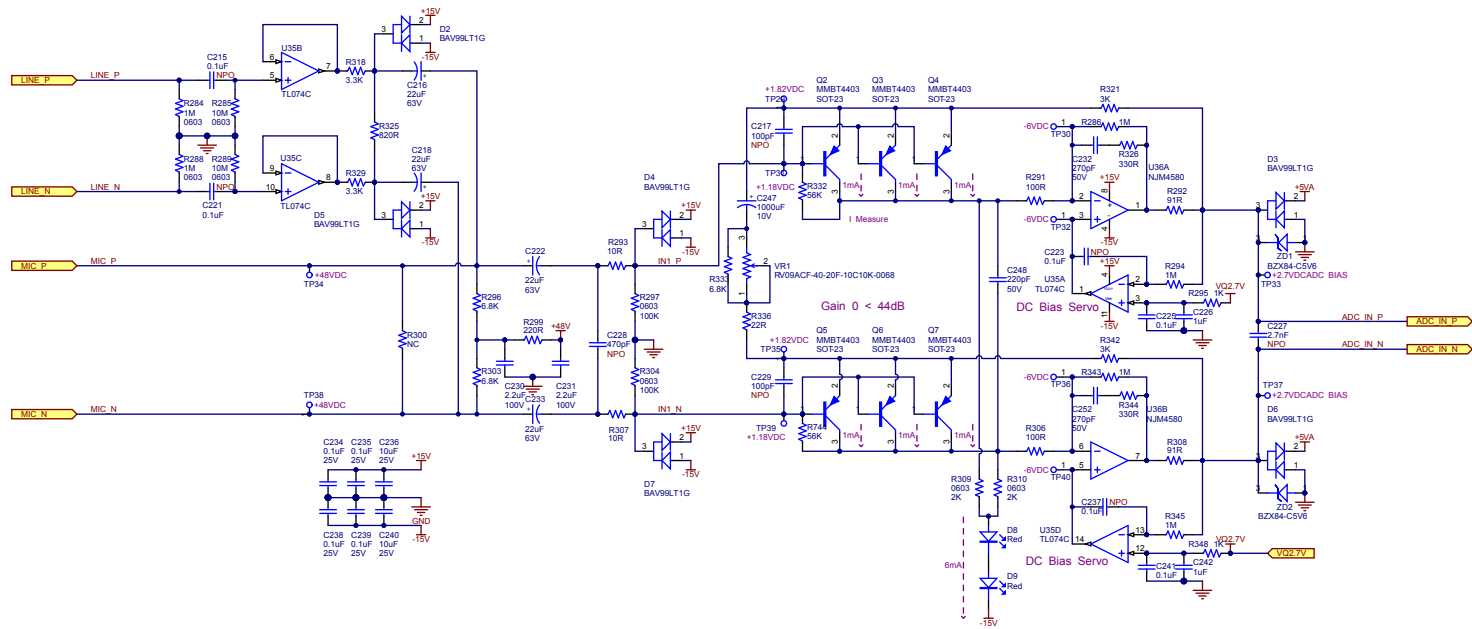
SAFETY CONTROLLED

ToneMatch T8S Mixer
 Main PCB Assembly
 PCB P/N: 797349-001S
 Schematic Diagram, Rev. 00



Main and Aux Outputs Section

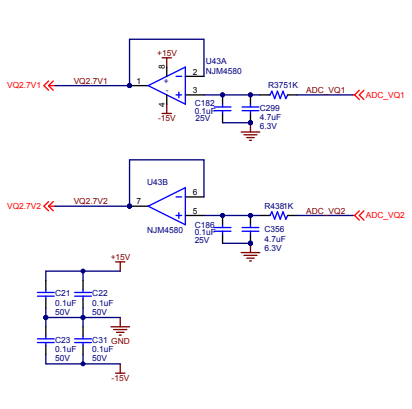
Sheet 10 of 12



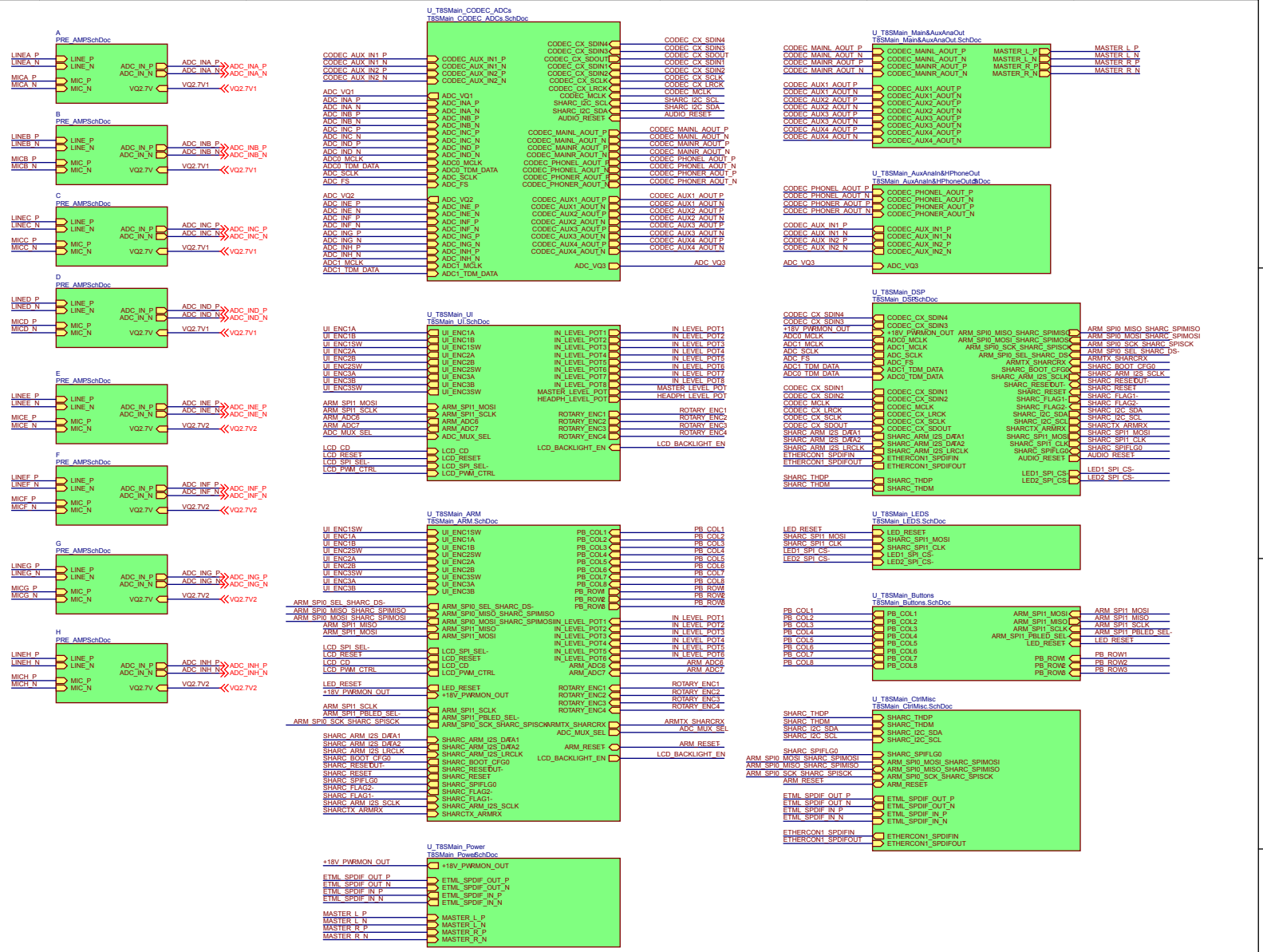
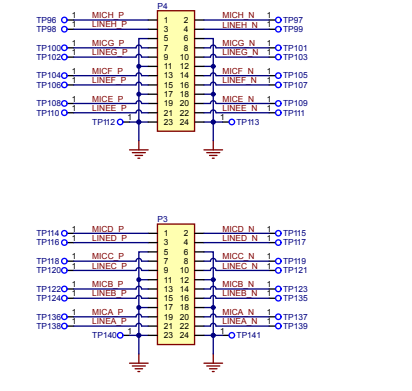
SAFETY CONTROLLED

ToneMatch T8S Mixer
 Main PCB Assembly
 PCB P/N: 797349-001S
 Schematic Diagram, Rev. 00
 Sheet 11 of 12





**DAUGHTER BOARD
ANALOG INPUT INTERFACE**



SAFETY CONTROLLED

ToneMatch T8S Mixer
Main PCB Assembly
PCB P/N: 797349-001S
Schematic Diagram, Rev. 00
Sheet 12 of 12

