

# DesignMax DM8SE

## surface-mount loudspeaker

### Product Description

With coaxial two-way drivers, the DesignMax DM8SE loudspeaker delivers powerful SPL, making it ideal for live sound and foreground music applications. It also features premium aesthetics that enhance any commercial sound installation.

Upgraded for outdoor use, it includes a rust-resistant aluminum grille, a weather-sealed cover for the rear input wiring terminal, and a weather-resistant mounting bracket.

The DM8SE has a 2-way, 8-inch woofer and a center-firing coaxial 1-inch compression driver, providing a frequency range of 52 Hz – 20 kHz. The QuickHold mounting system locks onto the included U-bracket for easy, secure, surface-mount installation. An optional pan-and-tilt bracket and pole mount bracket are available separately to support alternative mounting requirements.



### Key Features

**Combine DesignMax models to complete any design, big or small** — 12 loudspeakers to mix and match, from 2-inch, low-profile models to 8-inch, high-SPL compression-driver loudspeakers and outdoor-rated options

**Deliver rich lows and clear, intelligible highs with coaxial two-way drivers** — no DSP or EQ required. For even better sound, use select Bose Professional DSPs and amplifiers to enable Bose Professional loudspeaker EQ and SmartBass processing, which expands performance and response at any listening level

**Blend with any room design** with elegant form factors, minimum-bezel grilles available in black or white, and removable logos

**Reduce installation time** with the patented QuickHold mounting system, which also reduces strain, hassle, and the chance of product damage

**Install easily with industry-standard accessories** — all models include Euroblock connectors; in-ceiling models include plenum-rated backcans, tile bridges, and front-access audio wiring that makes installation and troubleshooting easier

**Deliver high SPL** for live sound and foreground music reinforcement

**Install DM8SE outside** — IP55 rating with weather-treated drivers and cabinet, aluminum grille, weather-sealed input cover cap, and weatherized U-bracket

### Technical Specifications

SINGLE-LOUDSPEAKER PERFORMANCE		
Frequency Response (-3 dB) <sup>1</sup>	60 – 20,000 Hz	
Frequency Range (-10 dB) <sup>1</sup>	52 – 20,000 Hz	
Nominal Coverage Angle (1–4 kHz)	130° conical	
Nominal Coverage Angle (1–10 kHz)	115° conical	
AUDIO PERFORMANCE	AES Transducer Test <sup>4</sup>	Bose Professional Extended-Lifecycle Test <sup>5</sup>
Power Handling, Long-term Continuous	150 W	125 W
Power Handling, Peak	600 W	500 W
Sensitivity (SPL / 1 W @ 1 m) <sup>2</sup>	93 dB	93 dB
Calculated Maximum SPL @ 1 m, Continuous <sup>3</sup>	115 dB	114 dB
Calculated Maximum SPL @ 1 m, Peak	121 dB	120 dB
Crossover	1.5 kHz (passive 2-way crossover)	
Loudspeaker EQ	Not required, Bose Professional voicing & SmartBass processing available	
Recommended High-pass Protection	48 Hz with recommended 24-dB/octave filter	
Overload Protection	Resistor-network power reduction with automatic reset	
Transformer Taps	70V: 2.5 W, 5 W, 10 W, 20 W, 40 W, 80 W, bypass 100V: 5 W, 10 W, 20 W, 40 W, 80 W, bypass	

# DesignMax DM8SE

## surface-mount loudspeaker

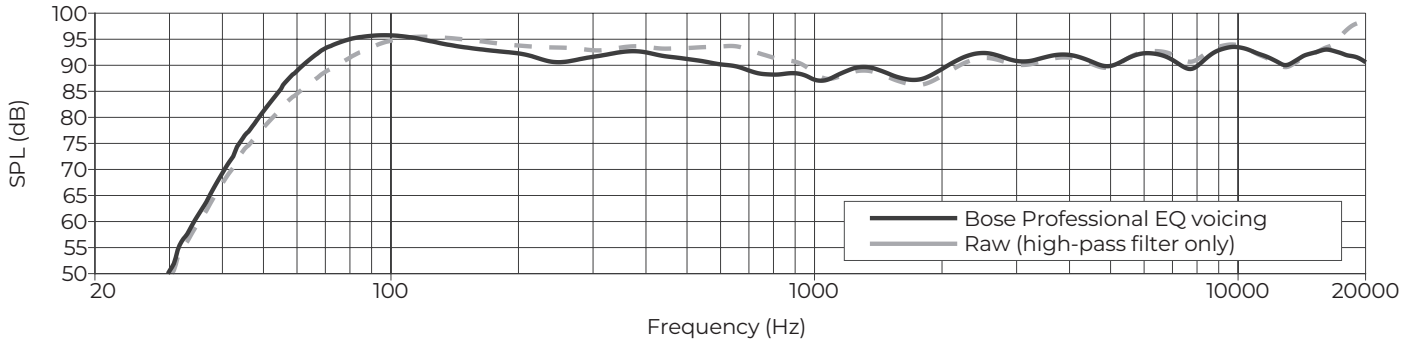
<b>TRANSDUCERS</b>	
Low Frequency	1 × 8-in (203 mm) woofer, weather-treated
High Frequency	1 × 1-in (25 mm) compression driver, coaxial center-firing, weather-treated
Nominal Impedance	8 Ω (transformer bypass)
<b>PHYSICAL</b>	
Enclosure Material	Engineered plastics, highly UV-fade-resistant
Bracket Material	Powder-coated steel
Grille	Perforated aluminum, powder-coated finish, tamper-resistant design, paintable
Logo	Rotatable, removable
Color	Black (RAL 9005), white (RAL 9003), paintable
Environmental / Ingress Protection	Outdoor per IEC 529, IP55 (suitable for use outdoors in wet locations), includes aluminum grille to prevent red corrosion and weather-resistant input cover
Safety	UL 1480A, UL-listed, NFPA 70-compliant, CE-compliant
Operating Temperature Range	-25 °C to 70 °C (-13 °F to 158 °F)
Connectors	6-pin Euroblock connector with loop-through, mounted on rear panel; accepts 18 AWG – 14 AWG (0.8 mm <sup>2</sup> – 2.5 mm <sup>2</sup> ) wire
Suspension / Mounting	QuickHold mounting system with included U-bracket (4) preset mounting angles: 0°, 15°, 30°, 45° for wall or ceiling placement (2) M8 screw inserts on U-bracket (1) M8 screw insert for safety cable attachment
Product Dimensions (length × width × depth)	395 mm × 249 mm × 255 mm (15.6 in × 9.8 in × 10.0 in), loudspeaker 395 mm × 249 mm × 272 mm (15.6 in × 9.8 in × 10.7 in), loudspeaker & bracket
Net Weight, Single Loudspeaker	10.3 kg (22.8 lb)
Shipping Weight, Single Loudspeaker	13.2 kg (29.0 lb)
Package Contents	(1) DesignMax DM8SE, (1) weather-resistant input cover, (1) U-bracket, (1) installation guide
Optional Accessories	Pan & tilt bracket, pole mount bracket
<b>PRODUCT CODES</b>	
Black	892116-0100 (DESIGNMAX DM8SE SINGLE BLK)
White	892116-0200 (DESIGNMAX DM8SE SINGLE WHT)

1. Frequency response and range measured on-axis in half-space environment with Bose Professional EQ voicing.
2. Sensitivity measured on-axis in half-space environment averaged 100 Hz – 10 kHz using recommended high-pass protection.
3. Maximum SPL calculated from sensitivity and power handling specifications, exclusive of power compression.
4. AES standard 2-hour duration with IEC system noise.
5. Bose Professional extended-lifecycle test using pink noise filtered to meet IEC268-5, 6-dB crest factor, 500-hour duration.

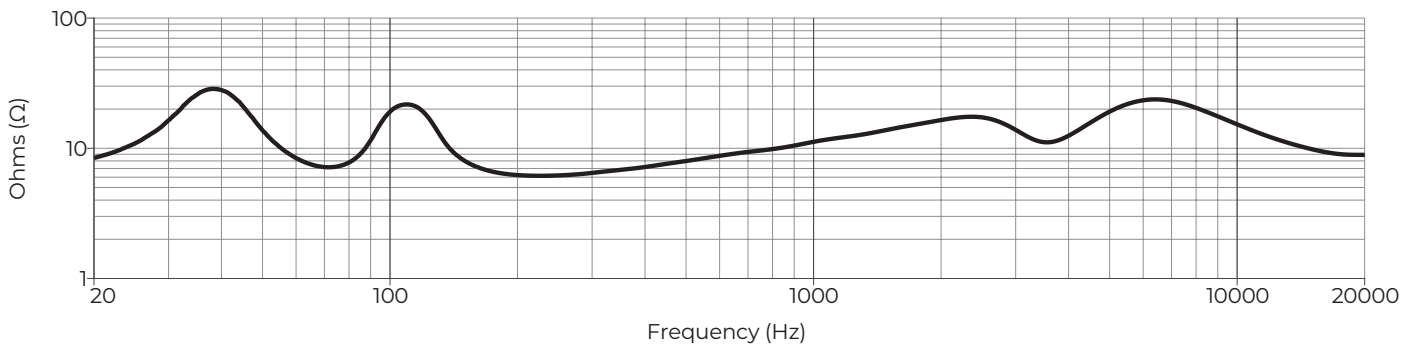
# DesignMax DM8SE

surface-mount loudspeaker

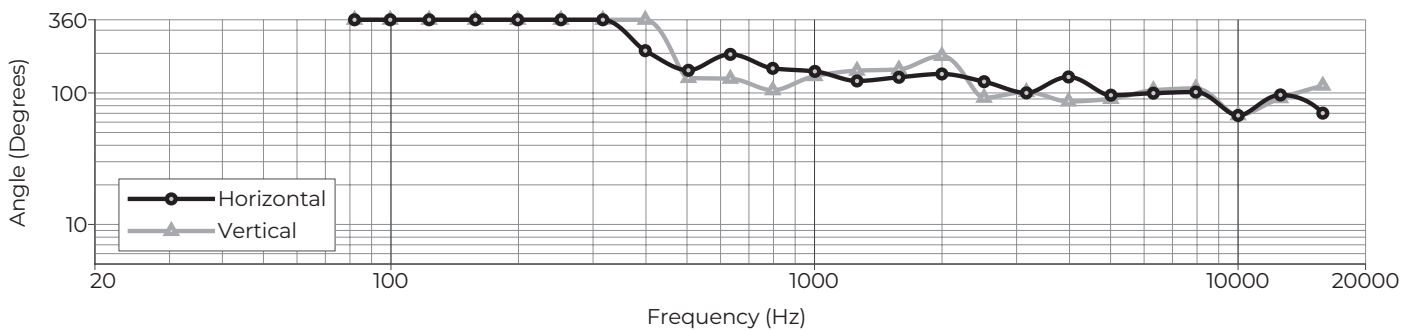
## On-Axis Frequency Response



## Impedance



## Beamwidth<sup>6</sup>

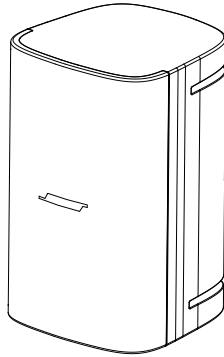


6. Measured in whole-space environment.

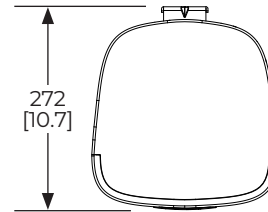
# DesignMax DM8SE

surface-mount loudspeaker

## Dimensions <sup>7</sup>

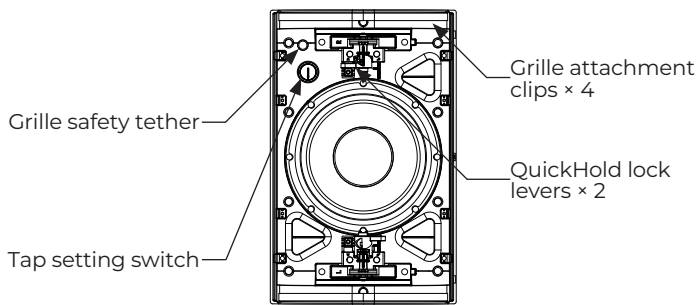


Top View <sup>8</sup>

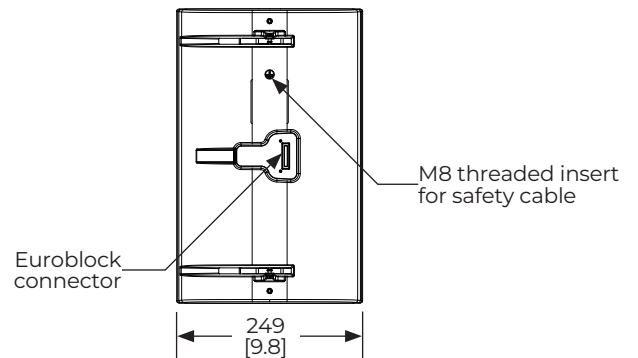


Front View

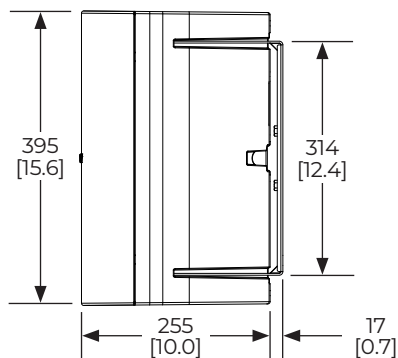
(without grille)



Rear View <sup>8</sup>

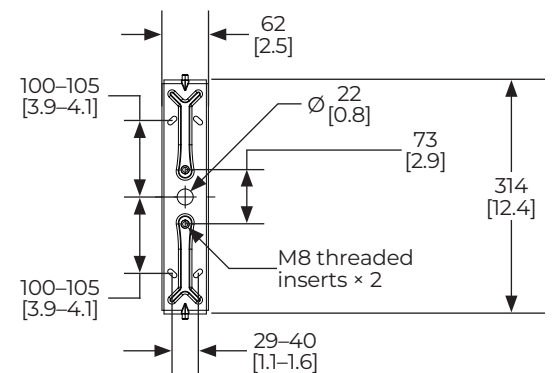


Right View <sup>8</sup>



Rear View <sup>8</sup>

(bracket only)



7. Dimensions are shown in millimeters over inches.  
 8. Dimensions apply to both sides.

DesignMax, QuickHold, and SmartBass are trademarks of Transom Post OpCo LLC. Bose is a trademark of Bose Corporation. All other trademarks are the property of their respective owners. Specifications are subject to change. For additional specifications and application information, visit [BoseProfessional.com](http://BoseProfessional.com). © 2024 Transom Post OpCo LLC. All rights reserved. 07/2024