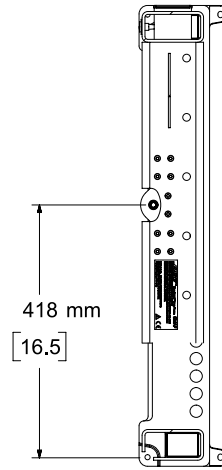
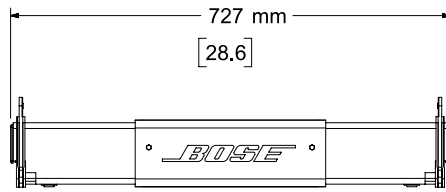
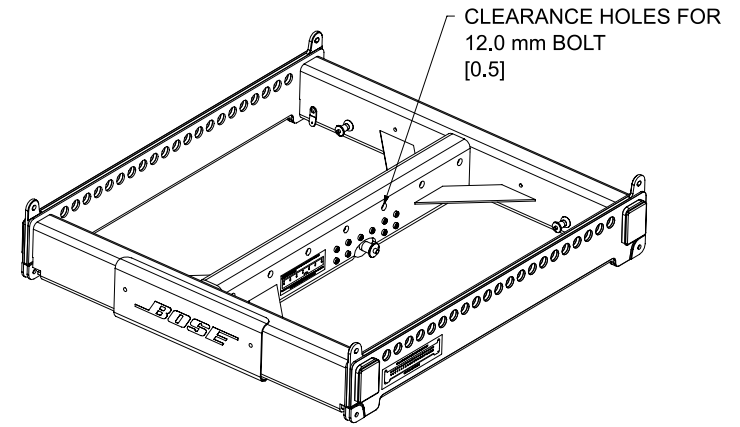


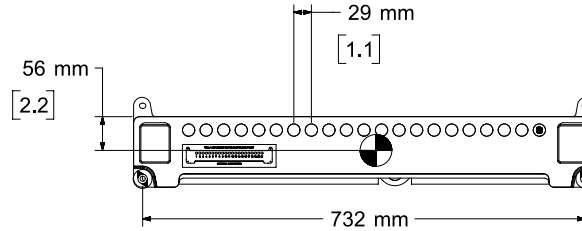
**Top View**



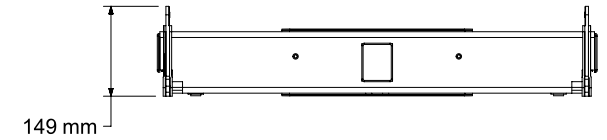
**SECTION A-A**



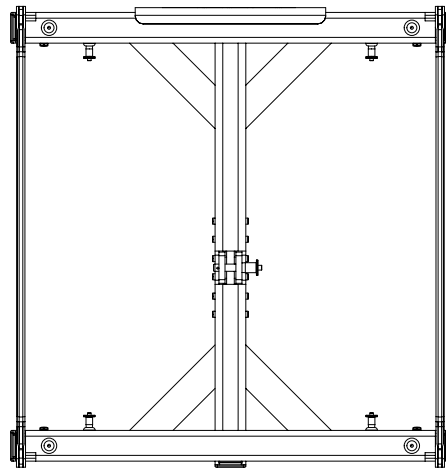
**Front View**



**Right View**  
DIMENSIONS APPLY TO BOTH SIDES



**Rear View**



**Bottom View**

**NOTES:**

1. SYMBOL INDICATES CENTER OF GRAVITY
2. WEIGHT APPROX. 37.6 kg [83.0 lbs]
3. SYMBOL INDICATES RIGGING POINTS 21X Ø20 mm [.8]
4. SYMBOL INDICATES QUICK PIN CONNECTION FOR SM5, SM10, SM20 AND SMS118

	THIRD ANGLE PROJECTION	DESCRIPTION	
		<b>SHOWMATCH ARRAY FRAME</b>	
<b>PROFESSIONAL</b>	UNLESS OTHERWISE SPECIFIED INTERPRET THIS DRAWING PER ASME Y14.5M-1997		VERSION
	DO NOT SCALE DRAWING	CAGE CODE	DOCUMENT NUMBER
		RF770300-MKTCADS	01.2
NOTICE 2023 BOSE PROFESSIONAL THIS DRAWING MAY NOT BE COPIED, REPRODUCED, OR USED AS THE BASIS FOR MANUFACTURE OR SALE OF APPARATUS WITHOUT THE PRIOR WRITTEN AUTHORIZATION OF BOSE PROFESSIONAL.			