

ShowTime SK12

Surface-mount Loudspeaker


Installation Guide.....	2
安装指南.....	7

Please read and keep all safety and use instructions.

This product is intended for installation by professional installers only! This document is intended to provide professional installers with basic installation and safety guidelines for this product in typical fixed-installation systems. Please read this document and all safety warnings before attempting installation.

Do not attempt to service this product yourself. Refer all servicing to authorized service centers, installers, technicians, dealers or distributors. To contact Bose Professional or to find a dealer or distributor near you, visit BoseProfessional.com.

1. Read these instructions.
2. Keep these instructions.
3. Heed all warnings.
4. Follow all instructions.
5. Do not block any ventilation openings. Install in accordance with the manufacturer's instructions.
6. Do not install near any heat sources such as radiators, heat registers, stoves, or other apparatus (including amplifiers) that produces heat.
7. Only use attachments/accessories specified by the manufacturer.





WARNINGS/CAUTIONS

This product contains magnetic material. Consult your physician on whether this might affect your implantable medical device.

- It is the responsibility of the installer to use a support system which has sufficient wind load strength to comply with the applicable codes and standards.
- All Bose Professional products must be installed in accordance with local, state, federal and industry regulations. It is the installer's responsibility to ensure installation of the loudspeakers and mounting system is performed in accordance with all applicable codes, including local building codes and regulations. Consult the local authority having jurisdiction before installing this product.
- This product is not intended for installation or use in indoor water facility areas (including, without limitation, indoor pools, indoor water parks, hot tub rooms, saunas, steam rooms and indoor skating rinks).
- Unsafe mounting or overhead suspension of any heavy load can result in serious injury or death, and property damage. It is the installer's responsibility to evaluate the reliability of any mounting method used for their application. Only professional installers with the knowledge of proper hardware and safe mounting techniques should attempt to install any loudspeaker overhead.
- Do not mount on surfaces that are not sturdy, or that have hazards concealed behind them, such as electrical wiring or plumbing. If you are not sure about installing the bracket, contact a qualified professional installer. Ensure the bracket is installed according to local building codes.
- Use only the hardware and accessories included or specified by Bose Professional for use with ShowTime SK12 loudspeakers. Hardware for securing the loudspeaker to the mounting surface is not supplied. For information on compatible accessories, see the product's technical data sheet at BoseProfessional.com.
- Keep the product away from fire and heat sources. Do not place naked flame sources, such as lighted candles, on or near the product.
- Do not make unauthorized alterations to this product.
- Do not expose loudspeaker or mounting components to any chemical substances that are not specified by Bose Professional, including but not limited to lubricants, cleaning agents, contact sprays, or other hydrocarbon-based solvents. Exposure to such substances can lead to degradation of the plastic material, resulting in cracking and creating a falling hazard.
- Clean speakers using only a dry cloth. Do not expose loudspeaker to soap, detergent, mineral oil, alcohol or other cleaning agents or chemicals.

Regulatory Information


 This product conforms to all applicable EU directive requirements. The complete declaration of conformity can be found at the product-specific page: BoseProfessional.com.

 This symbol means the product must not be discarded as household waste, and should be delivered to an appropriate collection facility for recycling. Proper disposal and recycling helps protect natural resources, human health and the environment. For more information on disposal and recycling of this product, contact your local municipality, disposal service, or the shop where you bought this product.

China Restriction of Hazardous Substances Table

Names and Contents of Toxic or Hazardous Substances or Elements						
Part Name	Toxic or Hazardous Substances and Elements					
	Lead (Pb)	Mercury (Hg)	Cadmium (Cd)	Hexavalent (CR(VI))	Polybrominated Biphenyl (PBB)	Polybrominated diphenylether (PBDE)
PCBs	0	0	0	0	0	0
Metal Parts	0	0	0	0	0	0
Plastic Parts	0	0	0	0	0	0
Speakers	0	0	0	0	0	0
Cables	0	0	0	0	0	0

This table is prepared in accordance with the provisions of SJ/T 11364.
 O: Indicates that this toxic or hazardous substance contained in all of the homogeneous materials for this part is below the limit requirement of GB/T 26572.
 X: Indicates that this toxic or hazardous substance, contained in at least one of the homogeneous materials used for this part is above the limit requirement of GB/T 26572.



Taiwan Restriction of Hazardous Substances Table

Equipment name: ShowTime SK12, Type designation: A00559						
Unit	Restricted substances and its chemical symbols					
	Lead (Pb)	Mercury (Hg)	Cadmium (Cd)	Hexavalent chromium (Cr+6)	Polybrominated biphenyls (PBB)	Polybrominated diphenyl ethers (PBDE)
PCBs	o	o	o	o	o	o
Metal Parts	o	o	o	o	o	o
Plastic Parts	o	o	o	o	o	o
Speakers	o	o	o	o	o	o
Cables	o	o	o	o	o	o

Note 1: "o" indicates that the percentage content of the restricted substance does not exceed the percentage of reference value of presence.
Note 2: The "-" indicates that the restricted substance corresponds to the exemption.

Date of Manufacture: The eighth and ninth digits in the serial number indicate the year of manufacture; "24" is 2024.

EU Importer: Transom Post Netherlands B.V., Keizersgracht 391A, 1016 EJ, Amsterdam | **UK Importer:** Transom Post Netherlands UK, Squires House 205a High Street, West Wickham, BR4 0PH | **Japan Importer:** Transom Post International Japan KK Co., Ltd. PMO Tamachi IV Shiba5-29-19, Minato-ku, Tokyo | **China Importer:** Transom Post (Shanghai) Audio Co. Ltd Room 2209, Building 1, 175 Longyao Road, Xuhui District, Shanghai | **Mexico Importer:** POST INTL MEXICO, S. DE R.L. DE C.V. Insurgentes Sur No. 1079, 1st floor, Colonia Noche Buena, Benito Juárez, C.P. 03270, Mexico City | **UAE Importer:** Transom Post Audio Visual Recording Equipment and Accessories Trading LLC, 504, Al Fattan Plaza, Al Garhoud, PO Box 118355 Dubai, UAE

Bose is a trademark of Bose Corporation.

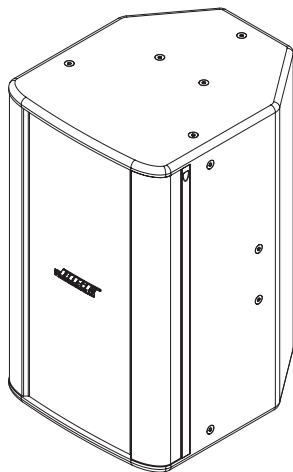
Bose Professional, 117 South St, Hopkinton, MA 01748 USA

©2025 Transom Post OpCo LLC. No part of this work may be reproduced, modified, distributed or otherwise used without prior written permission.

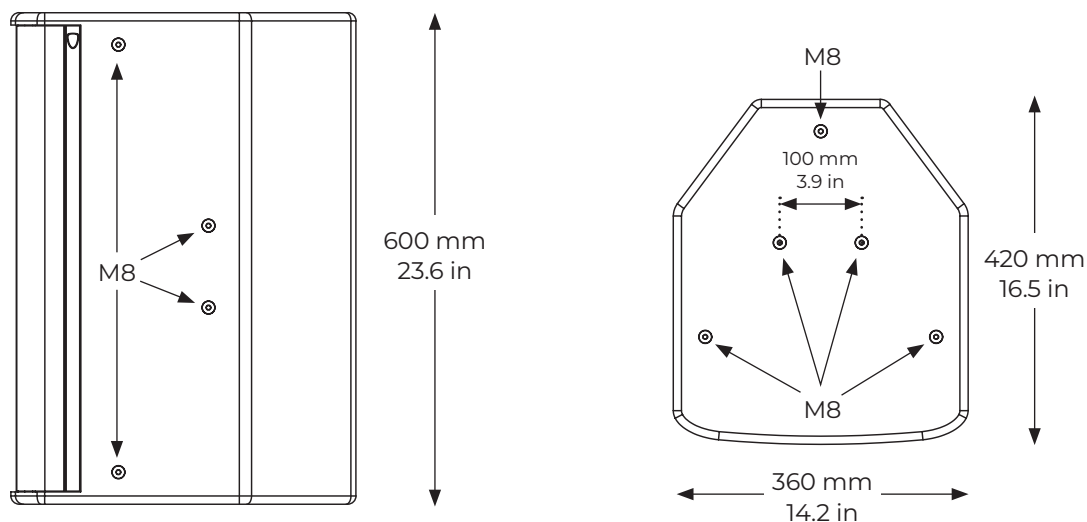
Warranty Information

This product is covered by a limited warranty. For warranty details, visit BoseProfessional.com/Warranty.

Package Contents



Product Dimensions



Technical Specifications

For additional specifications, see the ShowTime SK12 technical data sheet at BoseProfessional.com.

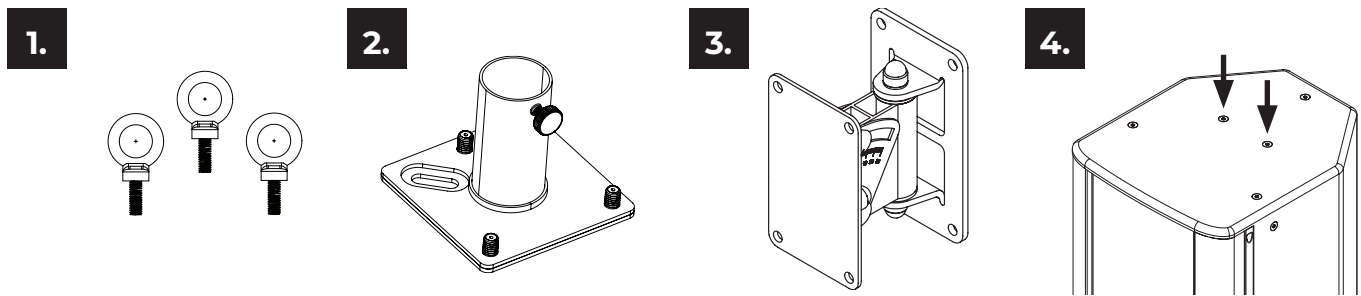
Physical				
Net Weight	23.1 kg	50.9 lb		
Shipping Weight	27.7 kg	61.1 lb		
Connectors	NL4 Wiring:			
	1+	1-	2+/THRU	2-/THRU
	FR+	FR-	Not Connected	

Important Safety Information



Before installing the loudspeaker, review **Important Safety Instructions** on page 2.

Installation Options



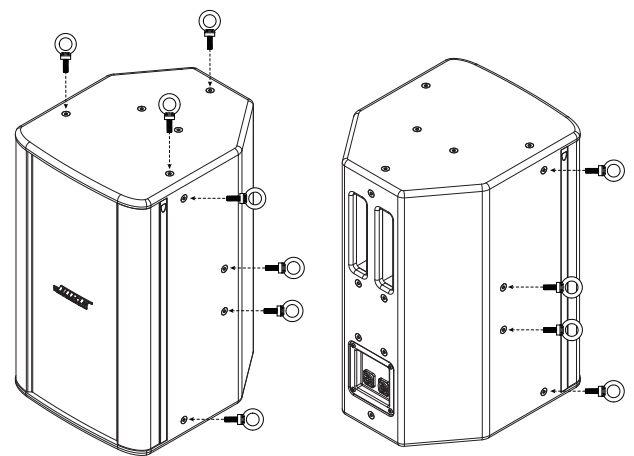
Installation Options and Accessories

1. M8 Threaded Eye Bolts
2. AMUPOLEAT Pole Adapter
3. RMUBRKT1 & WBPWR-50 Pan-and-tilt Brackets
4. Miscellaneous Mounting Options

Installation with M8 Threaded Eye Bolts

Note: Choose appropriate fasteners to support the weight of the loudspeaker. At least two of the attachment points must be secured to a support structure. Attachment points not secured to a support structure must be secured using appropriate hardware for the installation. Choose fasteners that are consistent with all local building codes and requirements.

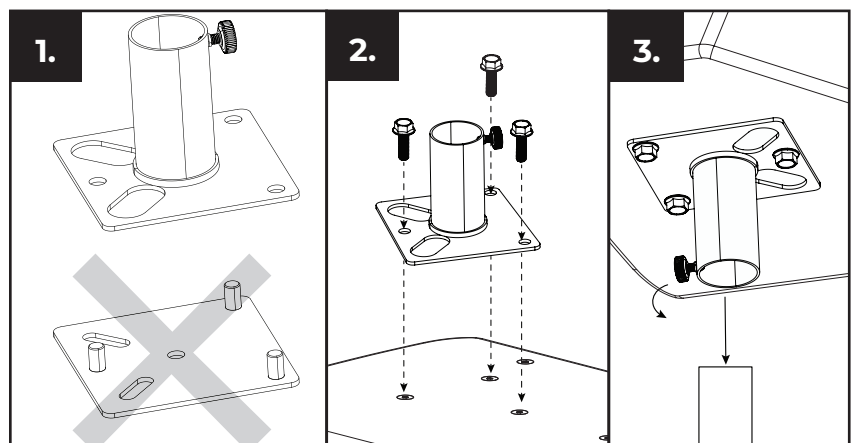
1. To suspend the loudspeaker with eye bolts, attach M8 threaded eye bolts to the M8 threaded attachment points on the top or either side panel of the loudspeaker, depending on your desired mounting position. Use only load-rated eye bolts intended for lifting.
2. Hang the loudspeaker in your desired mounting location.



Installation with an AMUPOLEAT Pole Adapter

1. Separate the base of the Pole Adapter from the top of the bracket.
2. Attach the top of the Pole Adapter to the loudspeaker using the included M8 bolts. Tighten all bolts with a 13-millimeter socket tool using a torque not to exceed 13.6 to 20.3 newton meters (10 to 15 pound feet).
3. To mount the loudspeaker to a pole, attach the thumbscrew to the Pole Adapter and place the adapter over the pole. Tighten the thumbscrew to secure.

Note: The AMUPOLEAT Pole Adapter is compatible with 36 mm (1 3/8 in) poles.



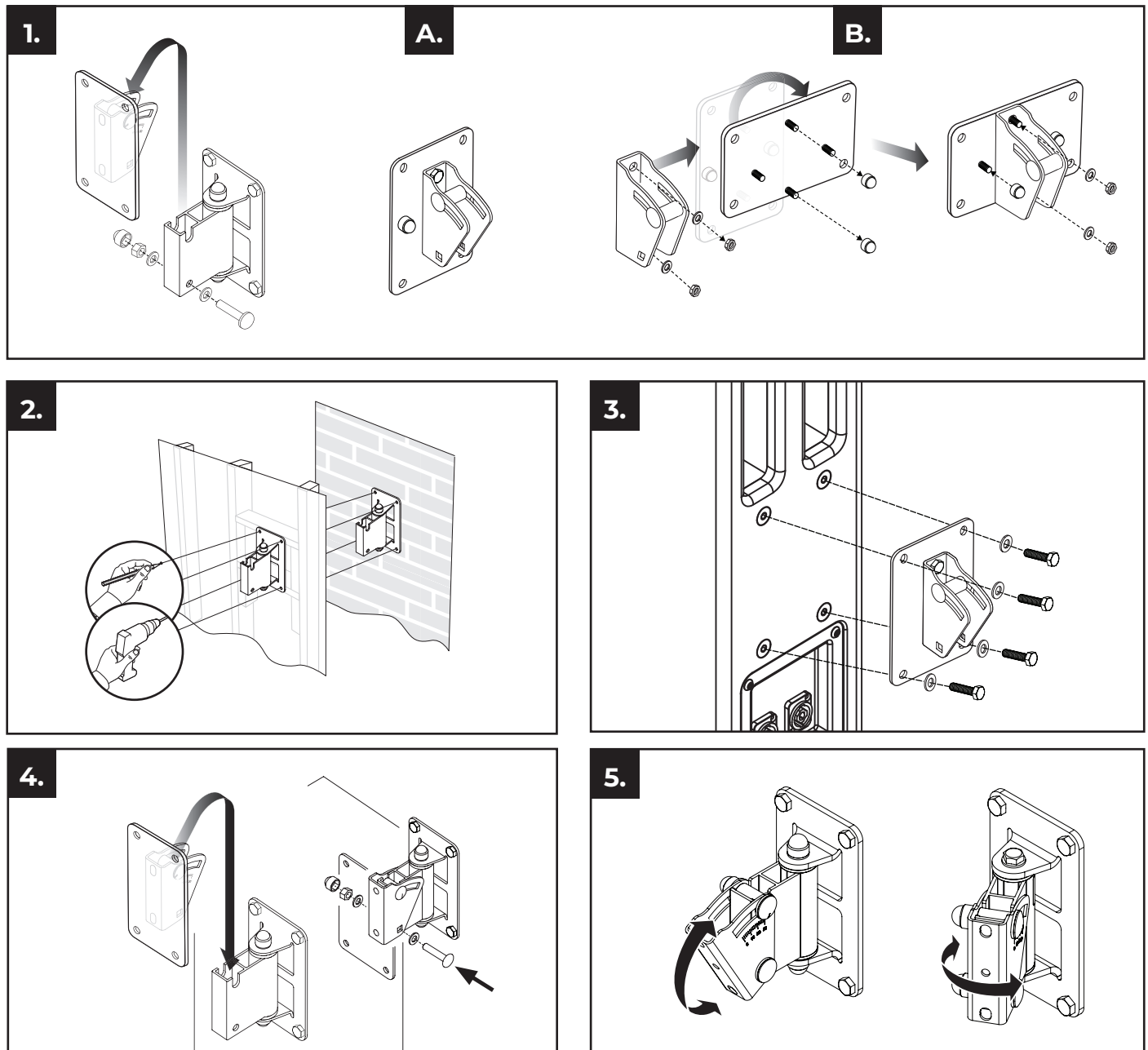
WARNING: Make sure the stand is placed on a stable, level surface.

WARNING: Refer to all relevant documentation for the pole or stand before attaching the loudspeaker. Make sure the pole or stand can support the weight of the loudspeaker. Once the pole or stand is assembled and the loudspeaker is attached, make sure the whole assembly is stable and does not present a tipping or falling hazard.

WARNING: Do not attempt to move the whole assembly. Remove the loudspeaker from the pole before moving the stand.

Installation with a RMUBRKT1 or WBPWR-50 Pan-and-tilt Bracket

Note: When choosing an installation location, at least two of the mounting bracket's attachment points must be secured to a support structure. Attachment points not secured to a support structure must be secured using appropriate hardware for the installation. Choose fasteners that are consistent with all local building codes and requirements.



1. Unscrew the bolt that secures the loudspeaker holder to the bracket and remove the loudspeaker holder. Use orientation **A** for vertical installation and orientation **B** for horizontal installations.
2. Mark four drill holes and drill four holes into the wall. Secure the bracket to the wall using four screws (use M8 or $\frac{5}{16}$ -inch sized screws).
3. Attach the mounting plate to the loudspeaker using four M8 \times 45mm screws (included with the bracket).
4. Attach the loudspeaker holder onto the bracket and screw the bolt through the holder to secure the holder to the bracket.
5. Adjust the tilt of the loudspeaker by loosening the tilt bolts and adjusting the loudspeaker. Adjust the pan of the loudspeaker by loosening the pan bolts and adjusting the loudspeaker.

Miscellaneous Mounting Options

The center two M8 mounting holes on the top of the loudspeaker enclosure are designed for additional mounting options to support a wide variety of applications as determined by the installer.

Note: Choose appropriate fasteners to support the weight of the loudspeaker. At least one of the attachment points must be secured to a support structure. Attachment points not secured to a support structure must be secured using appropriate hardware for the installation. Choose fasteners that are consistent with all local building codes and requirements.

Recommended Power Amplifiers

Selecting the proper amplifier size for a given loudspeaker requires analysis of the transducer long-term (or RMS) power rating, dynamic range of the input-source material (crest factor), desired sound pressure levels, and other factors. As a general guideline, the following table provides recommended power amplifier ranges for the ShowTime SK12 loudspeaker:

Nominal Impedance	Required Channels	Amp Power Rating
8 Ω	1	600 – 2400 Watts

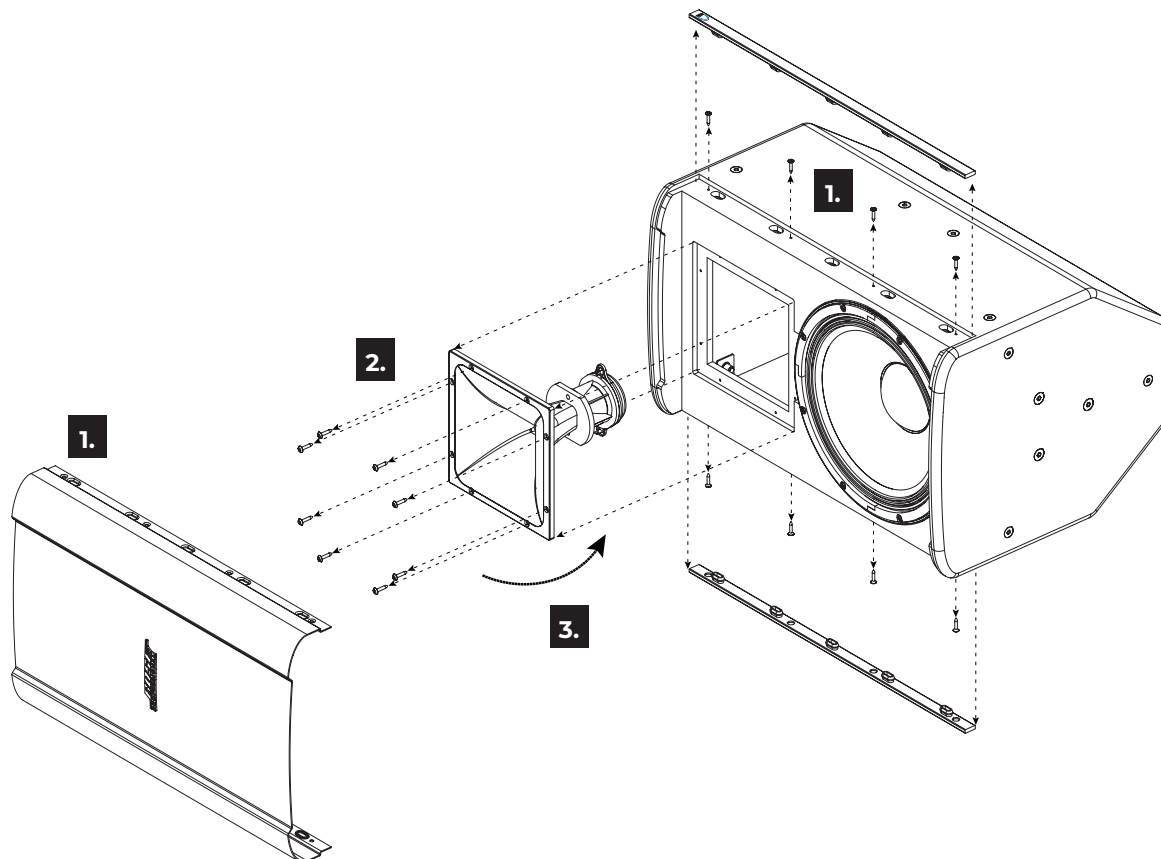


CAUTION: Failure to follow these guidelines may result in damage to the loudspeaker.

Rotating the High-frequency Waveguide

The high-frequency waveguide in the ShowTime SK12 loudspeaker can be rotated to accommodate horizontal or vertical loudspeaker mounting. The SK12 is assembled in the factory for vertical mounting. To rotate the waveguide for horizontal mounting, do the following:

1. Remove the screws from around the loudspeaker grille and remove the grille from the enclosure.
2. Remove the waveguide screws.
3. Pull the waveguide forward, rotate it 90°, and place it back into the enclosure.
4. Secure the waveguide using the screws removed in Step 2.
5. Reattach the grille using the screws removed in Step 1.



Loudspeaker Orientation and Adjusting the Logo

SK12 loudspeakers can be mounted horizontally or vertically. Choose the loudspeaker orientation best suited for your installation. You can rotate the Bose Professional logo to align with your loudspeaker orientation by pulling gently on the logo, turning it to your desired position, and pushing the logo back into place.

请阅读并保留所有安全和使用说明。

本产品仅可由专业人员安装！本文档旨在为专业安装人员提供在典型的固定安装系统中安装此产品时适用的基本安装和安全指南。在安装之前，请先阅读本文档和所有安全警告。

请勿尝试自行维修此产品。所有维修服务必须由授权服务中心、安装人员、技术人员、经销商或分销商提供。要联系 Bose Professional 或查找您附近的经销商或分销商，请访问 BoseProfessional.com。

1. 请阅读这些说明。
2. 请保留这些说明。
3. 请注意所有警告。
4. 请遵守所有说明。
5. 请勿堵塞任何通风口。请按照制造商的说明进行安装。
6. 请勿安装在靠近任何热源的位置，例如暖气片、热调节装置、火炉或可产生热量的其他设备（包括功率放大器）。
7. 只能使用制造商指定的附件/配件。



警告/小心



本产品含有磁性材料。有关这是否会影响到您的植入式医疗器械，请咨询您的医生。

- 安装人员有责任使用具有足够抗风荷载强度的支撑系统，遵守适用的法规和标准。
- 所有 Bose Professional 产品的安装都必须遵守当地、州/省/市/自治区、联邦和行业规范。安装人员有责任确保扬声器和安装系统的安装都符合适用的法规，包括当地的建筑法规和规定。安装本产品前，请咨询拥有司法管辖权的当地监管机构。
- 此产品不适合在室内涉水设施区域安装或使用（包括但不限于室内游泳馆、室内水上乐园、有热水浴缸的房间、桑拿房、蒸汽浴室以及室内溜冰场）。
- 以不安全的方式登高安装或吊装任何重物可能导致严重的人身伤害、死亡或财产损失。安装人员有责任评估在其应用中所使用的任何安装方法的可靠性。只有正确了解硬件且掌握安全安装技术的专业安装人员才能尝试安装任何吊装式扬声器。
- 请勿将本产品安装在不结实或有潜在危险的表面，比如铺有电线或管道的地方。如果您不确定如何安装支架，请联系拥有相应资质的专业安装人员。安装支架时，应确保遵循当地建筑规范的要求。
- 仅使用随附安装紧固件和附件或 Bose Professional 指定与 ShowTime SK12 扬声器配合使用的安装紧固件和附件。不提供用于将扬声器固定到安装表面的安装紧固件。有关兼容附件的信息，请参阅 BoseProfessional.com 上的产品技术参数表。
- 请将本产品放置到远离火源和热源的地方。请勿将明火火源（如点燃的蜡烛）置于本产品上或靠近本产品。
- 未经授权切勿改装本产品。
- 请勿将扬声器或安装组件接触 Bose Professional 未说明的任何化学物质，包括但不限于润滑剂、清洁剂、触点喷剂或其他烃类溶剂。接触此类物质可能会导致本产品的塑料材料老化，进而导致产品开裂和掉落。
- 只能使用干布清洁扬声器。请勿让扬声器接触肥皂、清洁剂、矿物油、酒精或其他清洁剂或化学品。

规范信息



本产品符合所有适用的欧盟指令要求。您可以从产品特定页面找到完整的合规声明：

BoseProfessional.com。



此符号表示不得将本产品作为生活垃圾丢弃，而应送到合适的回收站点进行回收。正确处理和回收有助于保护自然资源、人类健康和环境。想要获得更多关于此产品的处理和回收的信息，请联系当地市政当局、垃圾处理服务部门或您购买此产品的门店。

中国危险物质限量表

有毒或有害物质或元素的名称及成分						
零件名称	有毒或有害物质和元素					
	铅 (Pb)	汞 (Hg)	镉 (Cd)	六价铬 (Cr(VI))	多溴化联苯 (PBB)	多溴二苯醚 (PBDE)
印刷电路板	0	0	0	0	0	0
金属零件	0	0	0	0	0	0
塑料零件	0	0	0	0	0	0
扬声器	0	0	0	0	0	0
线缆	0	0	0	0	0	0

此表格依据 SJ/T 11364 的要求制定。
 0: 表示此零件中所有均质材料所包含的此类有毒或有害物质均低于 GB/T 26572 中的限定要求。
 X: 表示此零件所用全部均质材料中至少有一种包含的这种有毒或有害物质高于 GB/T 26572 标准的限定要求。



台湾危险物质限量表

设备名称: ShowTime SK12, 机型名称: A00559						
单位	限用物质及其化学符号					
	铅 (Pb)	汞 (Hg)	镉 (Cd)	六价铬 (Cr+6)	多溴化联苯 (PBB)	多溴二苯醚 (PBDE)
印刷电路板	0	0	0	0	0	0
金属零件	0	0	0	0	0	0
塑料零件	0	0	0	0	0	0
扬声器	0	0	0	0	0	0
线缆	0	0	0	0	0	0

备注 1: "0" 表示限用物质的百分比含量未超出参考值。
 备注 2: "-" 表示限用物质符合豁免规定。

生产日期: 序列号中第八位和第九位数字表示生产年份; "24" 表示 2024 年。

欧洲进口商: Transom Post Netherlands B.V., Keizersgracht 391A, 1016 EJ, Amsterdam | 英国进口商: Transom Post Netherlands UK, Squires House 205a High Street, West Wickham, BR4 0PH | 日本进口商: Transom Post International Japan KK Co., Ltd. PMO Tamachi IV Shiba5-29-19, Minato-ku, Tokyo | 中国进口商: Transom Post (Shanghai) Audio Co. Ltd 上海市徐汇区龙耀路 175 号 1 号楼 2209 室 | 墨西哥进口商: POST INTL MEXICO, S. DE R.L. DE C.V. Insurgentes Sur No. 1079, 1st floor, Colonia Noche Buena, Benito Juárez, C.P.03270, Mexico City | 阿联酋进口商: Transom Post Audio Visual Recording Equipment and Accessories Trading LLC, 504, Al Fattan Plaza, Al Garhoud PO Box 118355, Dubai, UAE

Bose 是 Bose Corporation 的商标。

Bose Professional, 117 South St, Hopkinton, MA 01748 USA

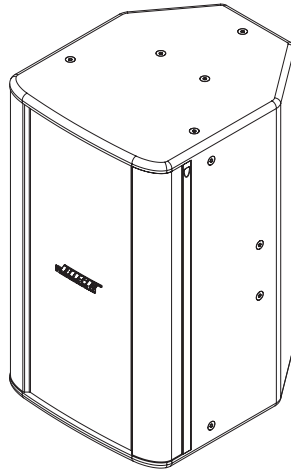
©2025 Transom Post OpCo LLC. 未经事先书面许可，不得复制、修改、分发或以其他方式使用本指南的任何部分。

质保信息

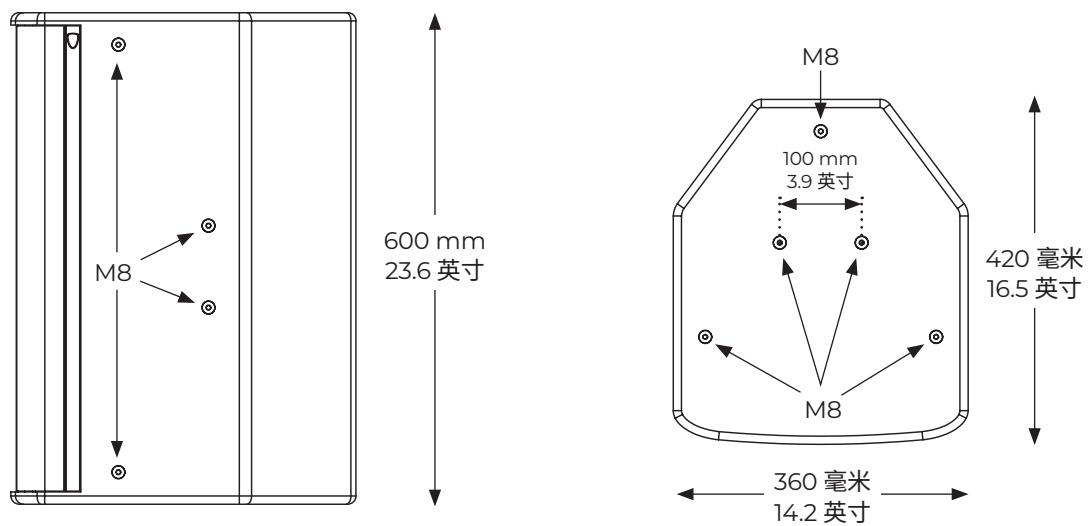
本产品享受有限保修服务。

有关质保详细信息，请访问 BoseProfessional.com/Warranty。

包装清单



产品尺寸



技术规格

有关其他规格, 请参阅 BoseProfessional.com 上的 ShowTime SK12 技术参数表。

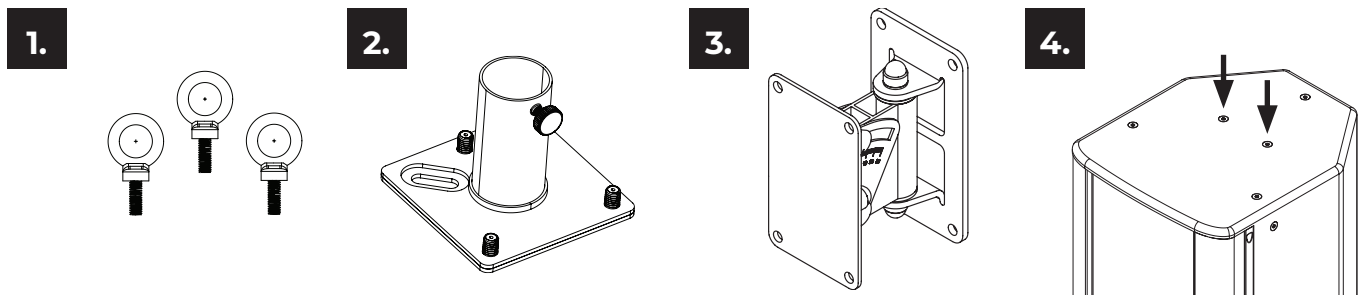
物理规格			
净重	23.1公斤	50.9 磅	
装运重量	27.7公斤	61.1 磅	
接口	NL4 接线:		
	1+	1-	2+/THRU 2-/THRU
	FR+	FR-	未连接

重要安全信息



安装扬声器之前, 请阅读第 7 页上的**重要安全说明**。

安装选件



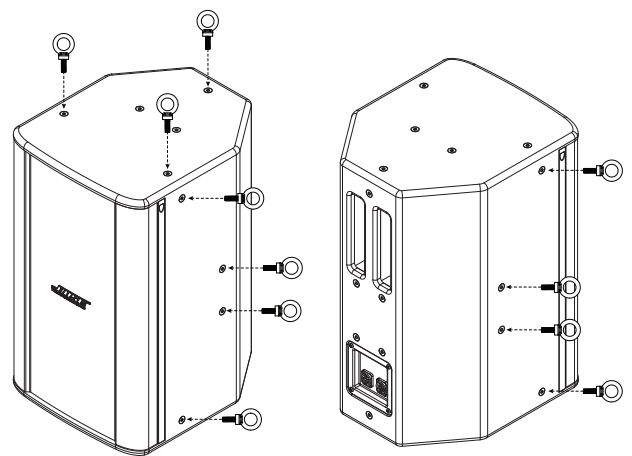
安装选件和配件

1. M8 螺纹吊环螺栓
2. AMUPOLEAT 支杆安装配件
3. RMUBRKT1 和 WBPWR-50 双轴墙架
4. 其他安装选项

使用 M8 螺纹吊环螺栓进行安装

注意: 请选择合适的紧固件以支撑扬声器的重量。必须将至少两个连接点固定到支撑结构上。未固定到支撑结构上的连接点必须使用合适的安装紧固件进行固定。请选择符合当地所有建筑法规和要求的紧固件。

1. 如需使用吊环螺栓悬挂扬声器, 请将 M8 螺纹吊环螺栓安装在扬声器顶部面板或侧面板上的 M8 螺纹连接点, 具体取决于所需的安装位置。仅使用符合承重要求的吊环螺栓进行吊装。
2. 将扬声器悬挂在所需安装位置。



使用 AMUPOLEAT 支杆安装配件进行安装

1. 将支杆安装配件的底座与支架顶部分离。
2. 使用随附的 M8 螺栓将支杆安装配件的顶部连接到扬声器。使用 13 毫米套筒工具拧紧所有螺栓, 所用扭矩不得超过 13.6 至 20.3 牛·米 (10 至 15 英尺·磅)。
3. 要将扬声器安装到支杆上, 请将指旋螺钉连接到支杆适配器上, 然后将适配器放在支杆上。拧紧指旋螺钉以固定。

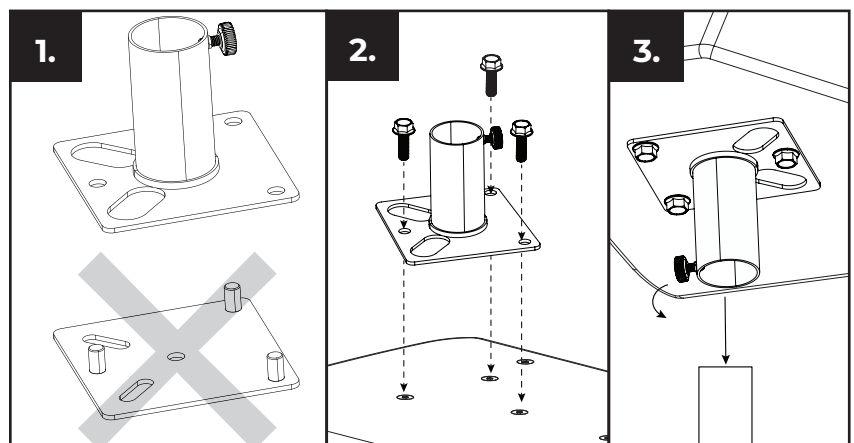
注意: AMUPOLEAT 支杆安装配件与 36 毫米的 (1 3/8 英寸) 支杆兼容。



警告: 确保支架放置在稳定的水平表面上。

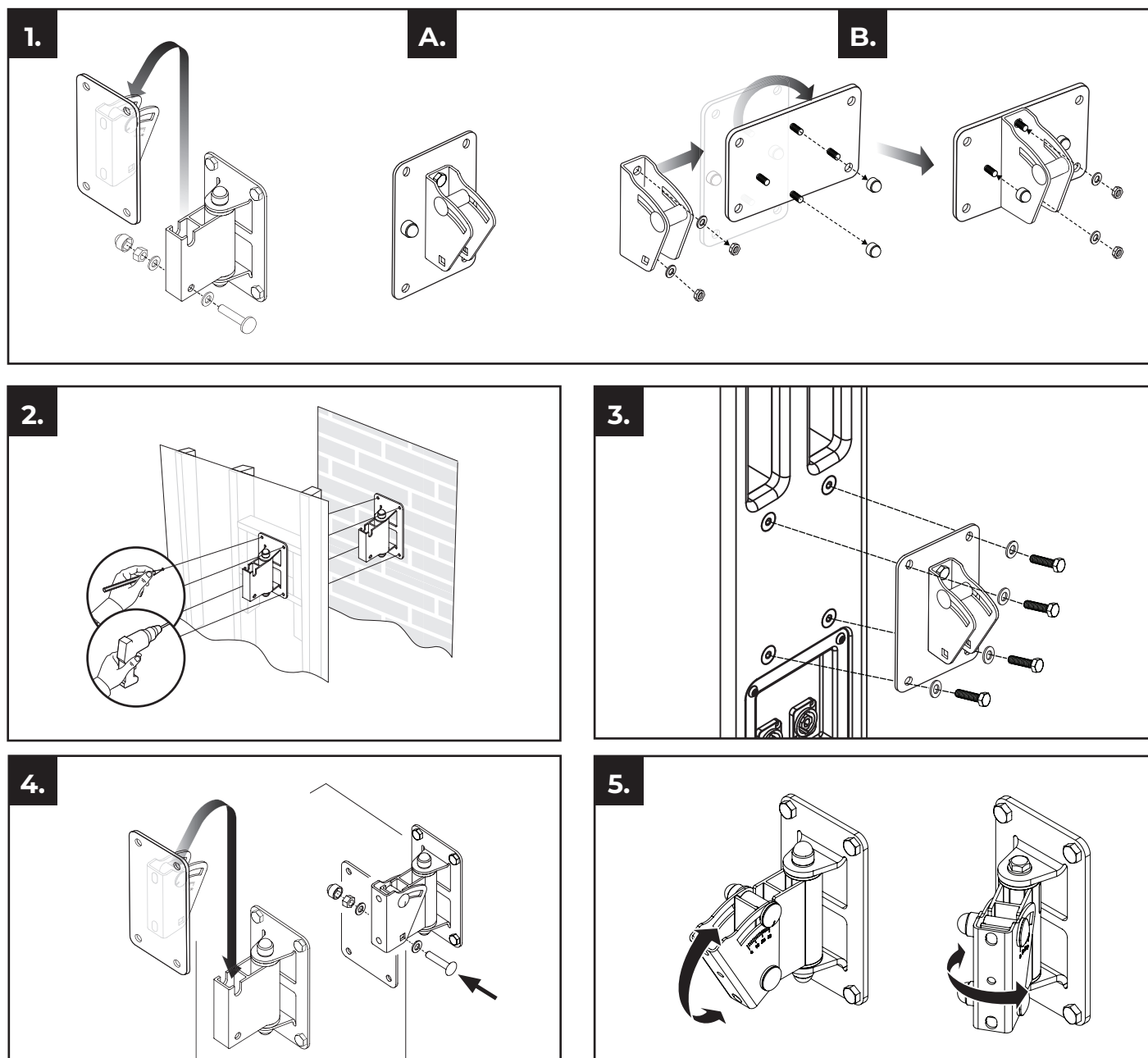
警告: 在安装扬声器之前, 请参阅支杆或支架的所有相关文档。确保支杆或支架可以支撑扬声器的重量。支杆或支架组装并连接扬声器后, 请确保整个组件牢固稳定, 不会发生翻倒或掉落的风险。

警告: 请勿尝试移动整个组件。移动支架之前, 请先将扬声器从支杆上取下。



使用 RMUBRKT1 或 WBPWR-50 双轴墙架进行安装

注意:选择安装位置时,必须将双轴支架的至少两个连接点固定到支撑结构上。未固定到支撑结构上的连接点必须使用合适的安装紧固件进行固定。请选择符合当地所有建筑法规和要求的紧固件。



1. 拧下将扬声器支撑板固定到支架上的螺钉,取下扬声器支撑板。使用方向 **A** 进行垂直安装,使用方向 **B** 进行水平安装。
2. 做好 4 个钻孔记号,在墙上打 4 个洞。使用 4 个螺钉将支架固定到墙壁上(使用 M8 或 $\frac{5}{16}$ 英寸大小的螺钉)。
3. 使用 4 个 M8×45 毫米螺钉(支架随附)将安装板连接到扬声器。
4. 将扬声器支撑板连接到支架上,将螺钉放入洞中拧紧,固定好支架。
5. 松开俯角调节螺钉、调整扬声器位置来调整扬声器俯角角。松开水平角度调节螺钉、调整扬声器位置来调整扬声器水平角度。

其他安装选项

扬声器外壳顶部中央设有两个 M8 安装孔,增加了安装选项,满足安装人员的各种安装应用。

注意:请选择合适的紧固件以支撑扬声器的重量。必须将至少一个连接点固定到支撑结构上。未固定到支撑结构上的连接点必须使用合适的安装紧固件进行固定。请选择符合当地所有建筑法规和要求的紧固件。

推荐功率放大器

为指定扬声器选择合适的功放规格时，需要分析扬声器单元的长期(或 RMS) 额定功率值、输入音频源材料的动态范围(峰值因数)、所需的声压级水平等因素。作为一般准则，下表列出了 ShowTime SK12 扬声器的推荐功率放大器规格：

额定阻抗	所需通道	功放额定功率
8 Ω	1	600 – 2400 瓦

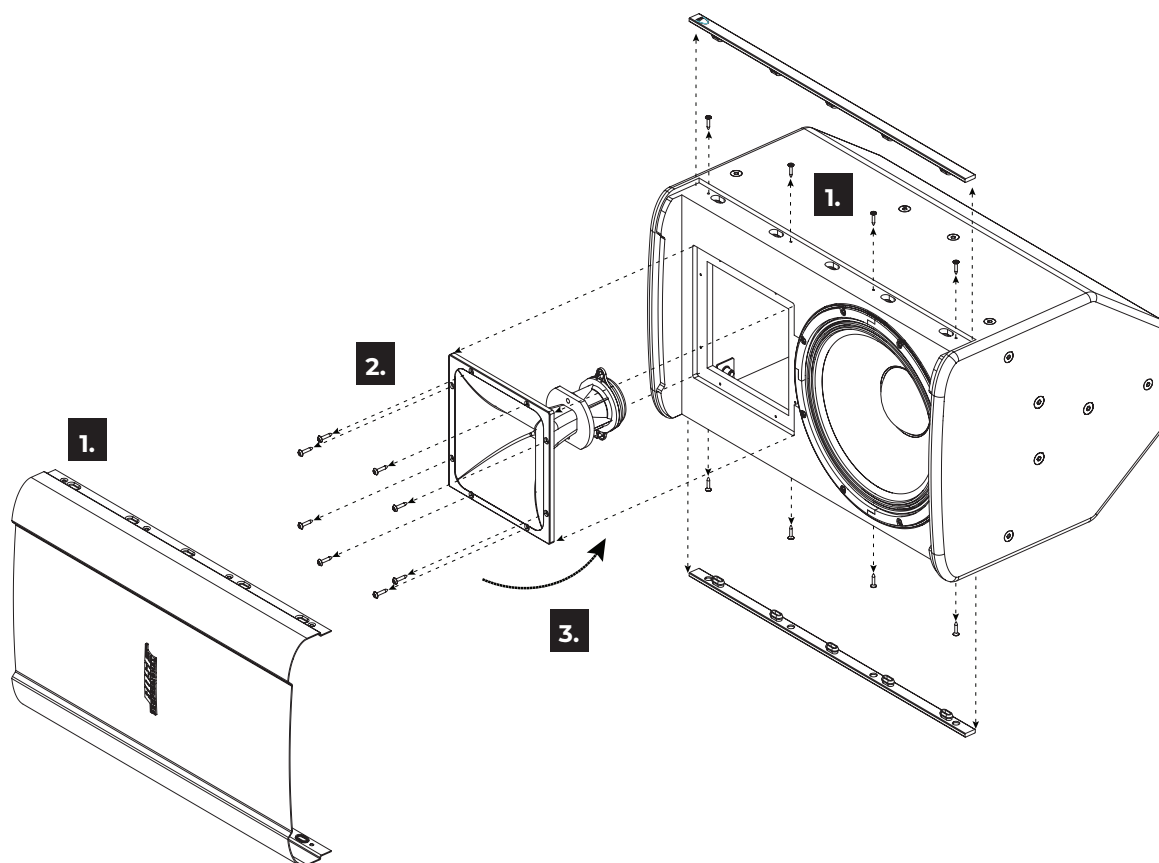


注意：不遵守这些准则可能导致扬声器损坏。

旋转高频导波管

Showtime SK12 扬声器中的高频导波管可以旋转，以适应水平或垂直扬声器安装。SK12 出厂时默认垂直安装。要旋转导波管以水平安装，请执行以下操作：

1. 卸下扬声器网罩周围的螺钉，然后从外壳上卸下网罩。
2. 卸下导波管螺钉。
3. 向前拉导波管，将其旋转 90°，然后将其放回箱体中。
4. 使用步骤 2 中卸下的螺钉固定导波管。
5. 使用步骤 1 中卸下的螺钉重新安装网罩。



扬声器朝向和调整徽标

SK12 扬声器可水平或竖直安装。选择最适合您安装条件的扬声器朝向。您可以轻轻拉动并旋转 Bose Professional 徽标到想要的位置，使其与扬声器的方向一致。



A00769-0010

©2025 Transom Post OpCo LLC. All rights reserved.
BoseProfessional.com
AMA00769 Rev. 00
March 2025