



DesignMax DM8S

Surface-mount Loudspeaker

Installation Guide	2
Guía de instalación	8
Notice d'installation	14
Installationsanleitung	20
Guida all'installazione	26
Installatiehandleiding	32


Monteringsveiledning	38
Instrukcja montażu	44
安装指南	50
安装指南	56
設置ガイド	62
68	دليل التركيب

Please read and keep all safety and use instructions.


This product is intended for installation by professional installers only! This document is intended to provide professional installers with basic installation and safety guidelines for this product in typical fixed-installation systems. Please read this document and all safety warnings before attempting installation.

Do not attempt to service this product yourself. Refer all servicing to authorized service centers, installers, technicians, dealers or distributors. To contact Bose Professional or to find a dealer or distributor near you, visit BoseProfessional.com.

1. Read these instructions.
2. Keep these instructions.
3. Heed all warnings.
4. Follow all instructions.
5. Do not use this apparatus near water.
6. Clean only with a dry cloth.
7. Do not block any ventilation openings. Install in accordance with the manufacturer's instructions.
8. Do not install near any heat sources such as radiators, heat registers, stoves, or other apparatus (including amplifiers) that produces heat.
9. Only use attachments/accessories specified by the manufacturer.



WARNINGS/CAUTIONS




This product contains magnetic material. Consult your physician on whether this might affect your implantable medical device.

- All Bose Professional products must be installed in accordance with local, state, federal and industry regulations. It is the installer's responsibility to ensure installation of the loudspeakers and mounting system is performed in accordance with all applicable codes, including local building codes and regulations. Consult the local authority having jurisdiction before installing this product.
- Unsafe mounting or overhead suspension of any heavy load can result in serious injury or death, and property damage. It is the installer's responsibility to evaluate the reliability of any mounting method used for their application. Only professional installers with the knowledge of proper hardware and safe mounting techniques should attempt to install any loudspeaker overhead.
- Do not mount the product in locations where condensation may occur.
- This product is not intended for installation or use in indoor water facility areas (including, without limitation, indoor pools, indoor water parks, hot tub rooms, saunas, steam rooms and indoor skating rinks).
- Do not mount on surfaces that are not sturdy, or that have hazards concealed behind them, such as electrical wiring or plumbing. If you are not sure about installing the bracket, contact a qualified professional installer. Ensure the bracket is installed according to local building codes.
- Use only the hardware and accessories included or specified by Bose Professional for use with DesignMax DM8S loudspeakers. Hardware for securing the loudspeaker to the mounting surface is not supplied. For information on compatible accessories, see the product's technical data sheet at BoseProfessional.com.
- Keep the product away from fire and heat sources. Do not place naked flame sources, such as lighted candles, on or near the product.
- Do not make unauthorized alterations to this product.
- The DesignMax DM8S wall-mounting bracket is only for use with model DM8S.
- Do not use hydrocarbon based solvents, lubricants or cleaning agents of any type on or around this loudspeaker and associated mounting hardware during installation. Exposure to such substances can lead to degradation of the plastic material, resulting in cracking and creating a falling hazard.
- Clean speakers using only a dry cloth. Do not expose loudspeaker to soap, detergent, mineral oil, alcohol or other cleaning agents or chemicals.
- The grille is equipped with a safety lanyard pin designed for a single use.


Product Ratings:

Input Voltage: 70V/100V
 Impedance: 8 Ω, 125 W
 Current or Power: (70V): 2.5W, 5W, 10W, 20W, 40W, 80W; (100V): 5W, 10W, 20W, 40W, 80W

Regulatory Information

 This product conforms to all applicable EU directive requirements. The complete declaration of conformity can be found at: www.Bose.com/compliance.


 This product conforms to all applicable Electromagnetic Compatibility Regulations 2016 and all other applicable UK regulations. The complete declaration of conformity can be found at: www.Bose.com/compliance

 This symbol means the product must not be discarded as household waste, and should be delivered to an appropriate collection facility for recycling. Proper disposal and recycling helps protect natural resources, human health and the environment. For more information on disposal and recycling of this product, contact your local municipality, disposal service, or the shop where you bought this product.

China Restriction of Hazardous Substances Table

Names and Contents of Toxic or Hazardous Substances or Elements						
Part Name	Toxic or Hazardous Substances and Elements					
	Lead (Pb)	Mercury (Hg)	Cadmium (Cd)	Hexavalent (CR(VI))	Polybrominated Biphenyl (PBB)	Polybrominated diphenylether (PBDE)
PCBs	X	0	0	0	0	0
Metal Parts	X	0	0	0	0	0
Plastic Parts	0	0	0	0	0	0
Speakers	X	0	0	0	0	0
Cables	X	0	0	0	0	0

This table is prepared in accordance with the provisions of SJ/T 11364.
 0: Indicates that this toxic or hazardous substance contained in all of the homogeneous materials for this part is below the limit requirement of GB/T 26572.
 X: Indicates that this toxic or hazardous substance contained in at least one of the homogeneous materials used for this part is above the limit requirement of GB/T 26572.



Taiwan Restriction of Hazardous Substances Table

Equipment name: DesignMax DM8S, Type designation: 801332						
Unit	Restricted substances and its chemical symbols					
	Lead (Pb)	Mercury (Hg)	Cadmium (Cd)	Hexavalent chromium (Cr+6)	Polybrominated biphenyls (PBB)	Polybrominated diphenyl ethers (PBDE)
PCBs	-	o	o	o	o	o
Metal Parts	-	o	o	o	o	o
Plastic Parts	o	o	o	o	o	o
Speakers	-	o	o	o	o	o
Cables	-	o	o	o	o	o

Note 1: "o" indicates that the percentage content of the restricted substance does not exceed the percentage of reference value of presence.
Note 2: The "-" indicates that the restricted substance corresponds to the exemption.

Date of Manufacture: The eighth digit in the serial number indicates the year of manufacture; "7" is 2007 or 2017.

China Importer: Bose Electronics (Shanghai) Company Limited, Part C, Plant 9, No. 353 North Riyang Road, China (Shanghai) Pilot Free Trade Zone

EU Importer: Bose Products B.V., Gorslaan 60, 1441 RG Purmerend, The Netherlands

Mexico Importer: Bose de México, S. de R.L. de C.V., Paseo de las Palmas 405-204, Lomas de Chapultepec, 11000 México, D.F. For importer & service information: +5255 (5202) 3545

Taiwan Importer: Bose Taiwan Branch, 9F-A1, No. 10, Section 3, Minsheng East Road, Taipei City 104, Taiwan. Phone Number: +886-2-2514 7676

UK Importer: Bose Limited, Bose House, Quayside Chatham Maritime, Chatham, Kent, ME4 4QZ, United Kingdom

Bose is a trademark of Bose Corporation.

DesignMax is a trademark of Transom Post OpCo LLC.

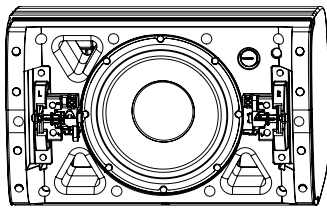
Bose Corporation, Framingham, MA 01701, U.S.A. 1-877-230-5639

©2023 Transom Post OpCo LLC. No part of this work may be reproduced, modified, distributed or otherwise used without prior written permission.

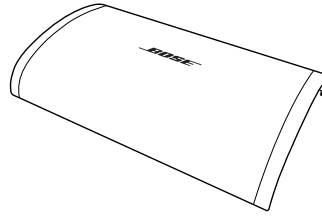
Warranty Information

This product is covered by a limited warranty.
 For warranty details, visit BoseProfessional.com/Warranty.

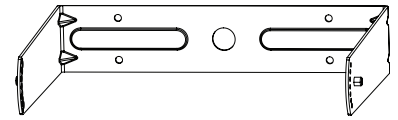
Package Contents



x 1

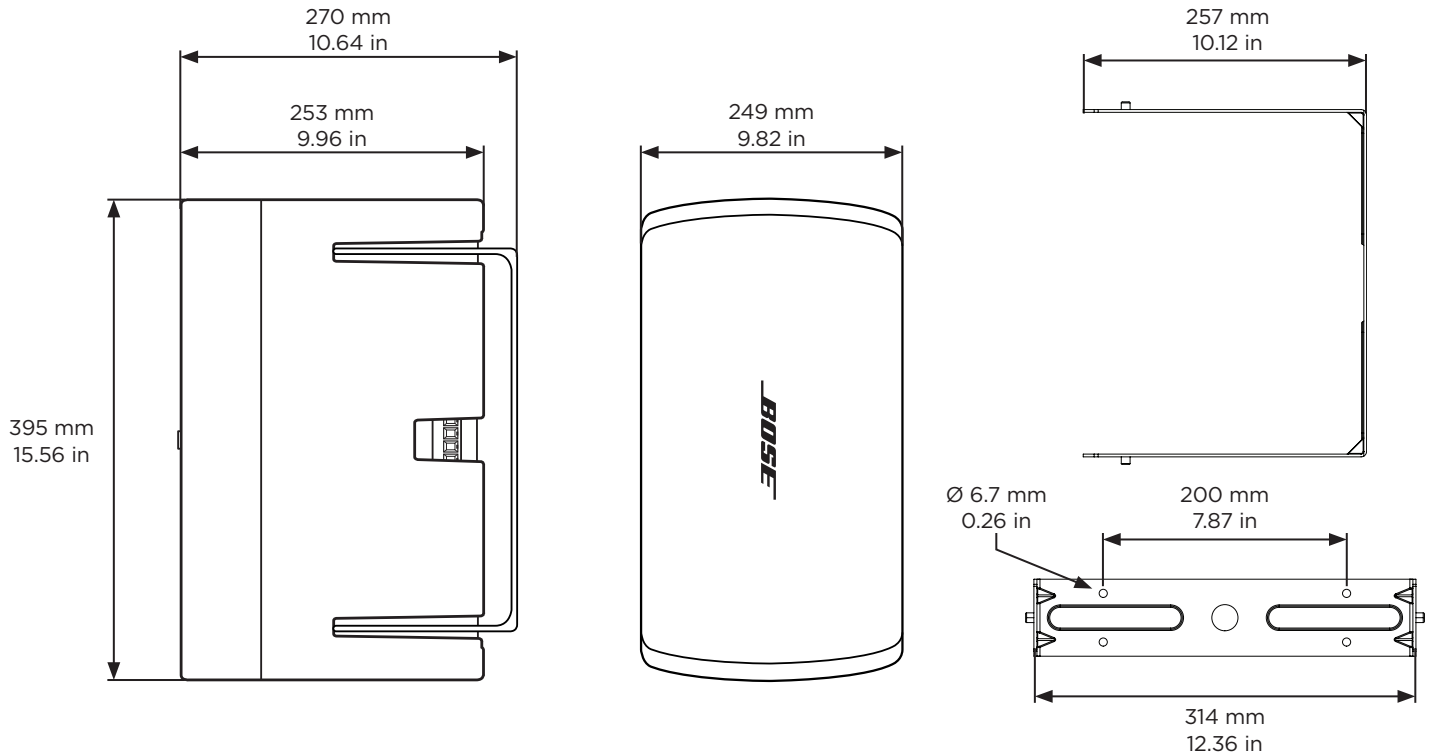


x 1



x 1

Product Dimensions



Technical Specifications

For additional specifications, see the DesignMax DM8S technical data sheet at BoseProfessional.com.

Physical	
Product Dimensions	Height: 395 mm (15.56 in)
	Width: 249 mm (9.82 in)
	Depth: 253 mm (9.96 in)
Net Weight, Loudspeaker with grille	10.34 kg (22.8 lb)
Shipping Weight	13.15 kg (29.0 lb)

Important Installation Information



It is the installer's responsibility to ensure installation of the loudspeakers and mounting system is performed in accordance with all applicable codes, including local building codes and regulations. Consult the local authority having jurisdiction before installing this product.

It is the responsibility of the installer to ensure the safety of the loudspeaker installation. Failure to properly install the loudspeaker could result in damage, injury, or death. Do not mount the product in locations where condensation may occur.



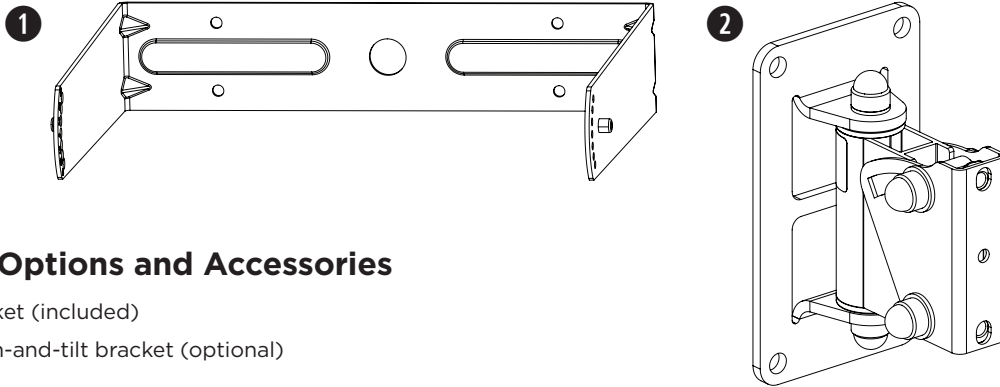
The hardware for securing the loudspeaker to the mounting surface is not supplied. Consult a building professional for the proper mounting hardware before installing the loudspeaker.

Do not mount on surfaces that are not sturdy, or that have hazards concealed behind them, such as electrical wiring or plumbing. If you are not sure about installing the bracket, contact a qualified professional installer. Ensure the bracket is installed according to local building codes.



Do not use hydrocarbon based solvents, lubricants or cleaning agents of any type on or around this loudspeaker and associated mounting hardware during installation. Exposure to such substances can lead to degradation of the plastic material, resulting in cracking and creating a falling hazard.

Installation Options



Installation Options and Accessories

- ① Mounting bracket (included)
- ② RMUBRKT1 Pan-and-tilt bracket (optional)

Wiring the Loudspeaker

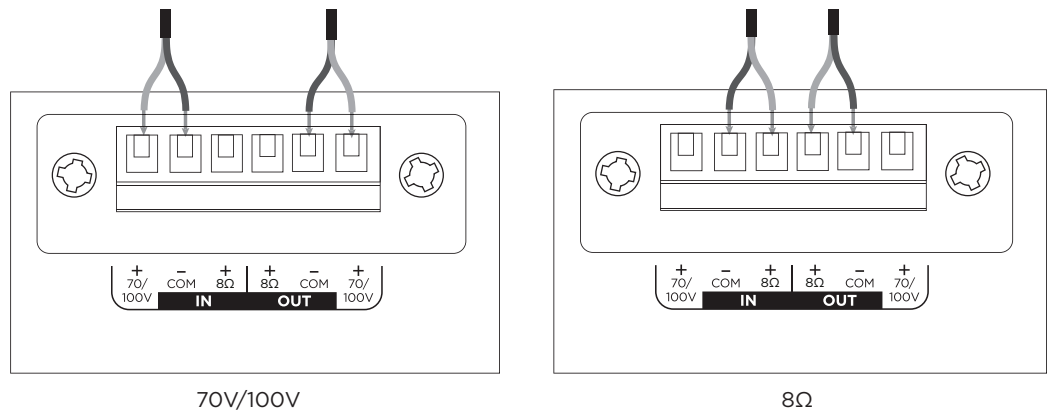
Wire Gauge

The DesignMax DM8S loudspeaker is designed to work with 18 AWG (0.8 mm²) to 14 AWG (2.1 mm²) size wire only.

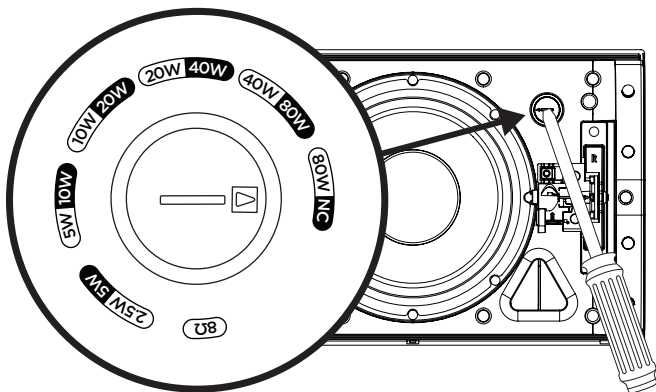
Connection Diagrams

Expose six millimeters (¼ inch) of bare wire to attach to the terminals.

Note: The loudspeaker is not rated for use with a rigid conduit. The loudspeaker is suitable for a flexible conduit or wiring connection only.



Loudspeaker Settings



70V						
2.5W	5W	10W	20W	40W	80W*	8Ω
5W	10W	20W	40W	80W	NC**	
100V						

* Factory default

** NC: No Connection (do not use)

Transformer Tap Setting

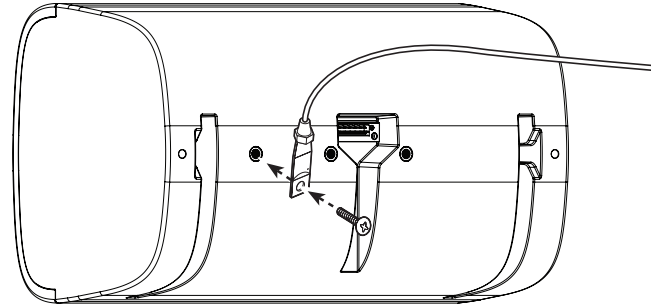
Set tap by turning. Use a flat head screwdriver.

Using a Safety Cable

Some regional construction codes require the use of a secondary method of securing loudspeakers to support structures to provide additional safety. Choose a mounting position, method, and hardware consistent with local building codes and regulations.

A safety cable can be attached to the loudspeaker using the threaded insert on the back of the enclosure.

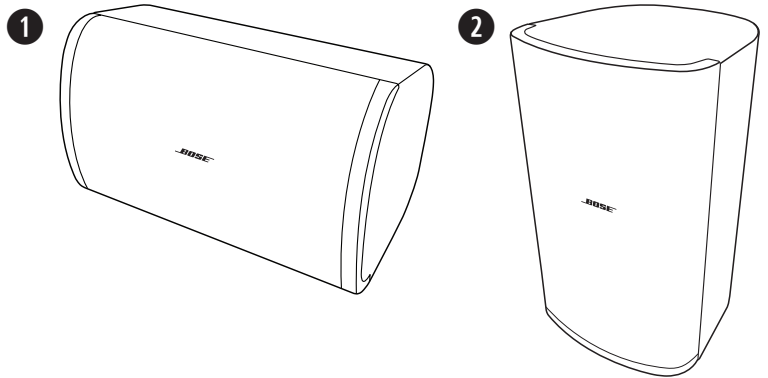
The insert is sized for an M8 screw (not included).



Loudspeaker Orientation

Choose the loudspeaker orientation best suited for your installation.

- ❶ Horizontal
- ❷ Vertical

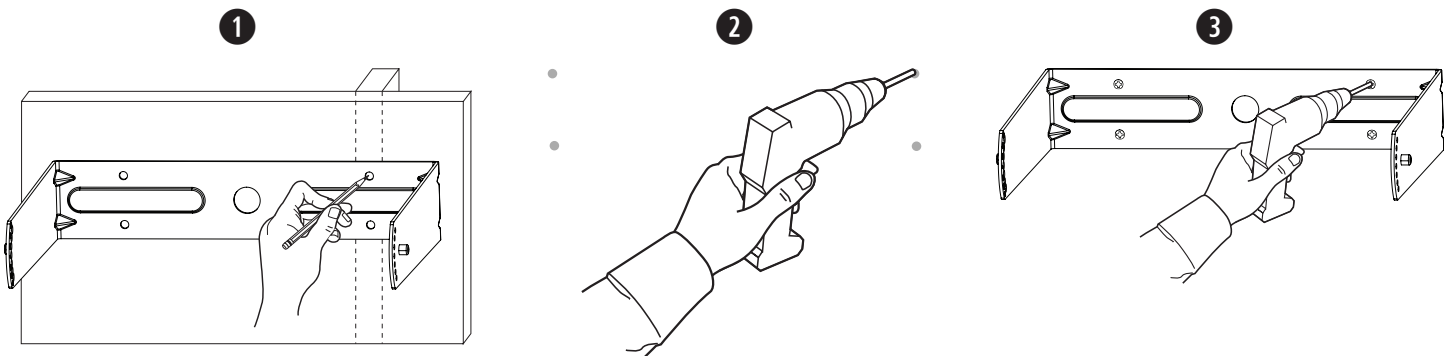


Note: Installation in close proximity to cooking surfaces where the loudspeaker may be directly exposed to cooking oils, such as in commercial cooking environments, may decrease the performance or functionality of the loudspeaker.

Installing the Bracket

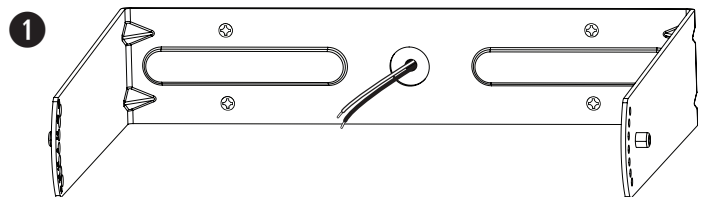
Note: When choosing an installation location, at least two of the mounting bracket's attachment points must be secured to a support structure. Attachment points not secured to a support structure must be secured using appropriate hardware for the installation.

1. Mark the drill holes.
2. Drill four holes (sized for appropriate fasteners) into the wall.
3. Secure the bracket to the wall with four screws (not included). **Note:** Use M6 or ¼-inch sized screws.



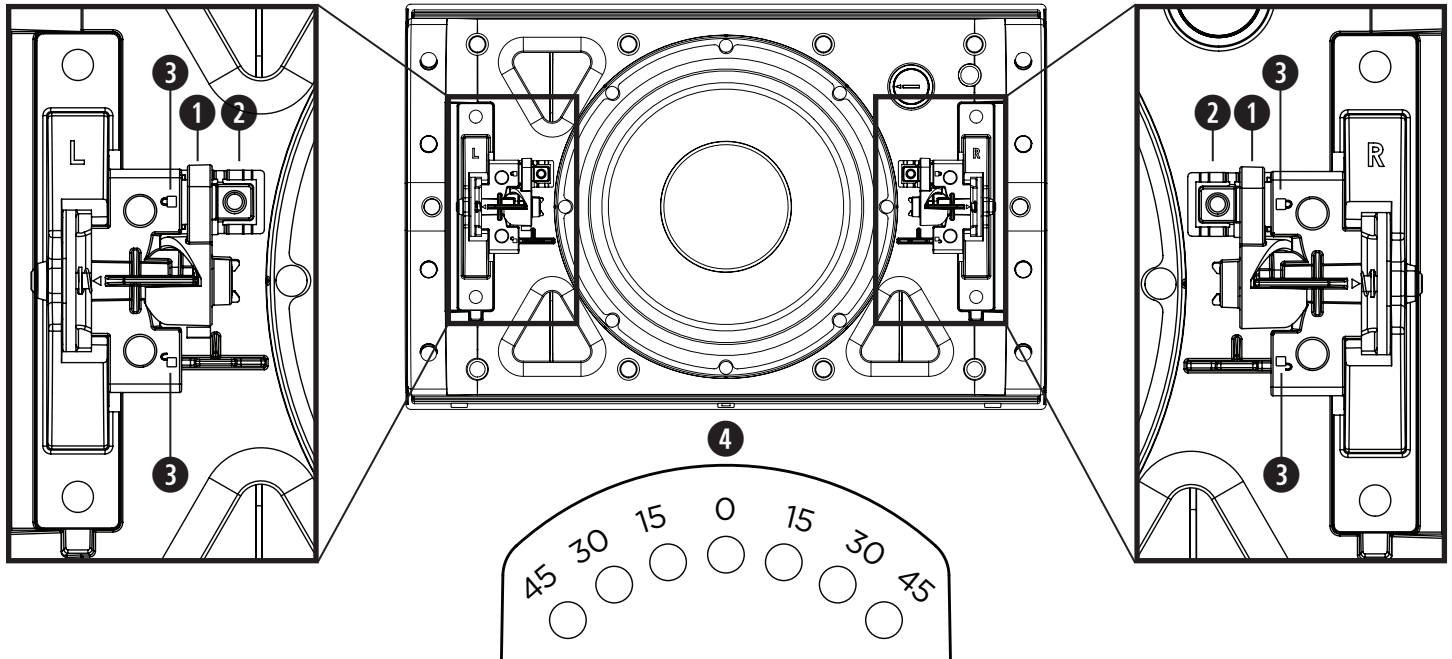
Wiring the Connector

1. Feed the wires through the center hole of the bracket.
2. Remove the connector from the loudspeaker.
3. Wire the connector. For wiring information, see **Wiring the Loudspeaker** on page 4.



Important Mounting Information

- ❶ **Lock levers:** Used to secure the loudspeaker to the mounting bracket. Push the levers toward the lock pins to lock; push the levers away from the lock pins to unlock.
- ❷ **Lock pins:** Press the pins down to unlock the levers.
- ❸ **Lock indicators:** Identify your locking direction.
- ❹ **Angle labels (on bracket):** Identify your desired angle position.

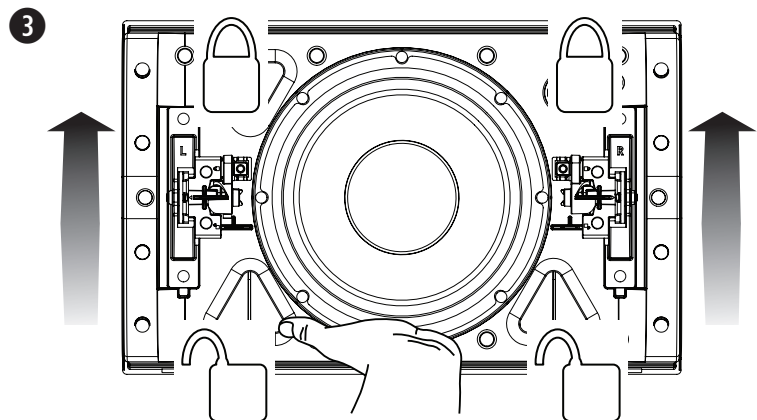
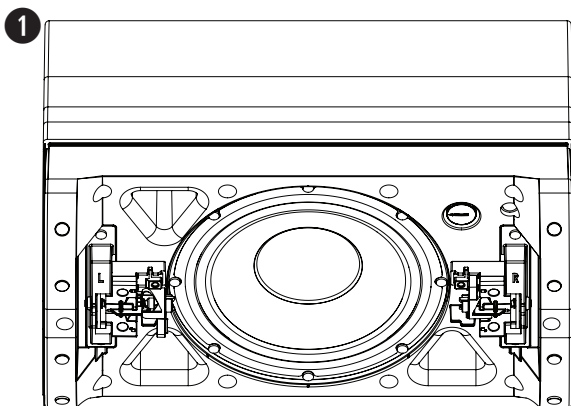


Installing the Loudspeaker

Note: The loudspeaker is shipped with the lock levers taped down. Remove the tape before installation.

1. Attach the loudspeaker to the bracket, adjust the loudspeaker to 45°, and lock the levers into place.
 2. Attach the wired connector to the loudspeaker.
 3. Unlock the levers and adjust the loudspeaker to your desired angle. Make sure to support the weight of the loudspeaker while you adjust the loudspeaker angle.
- Note:** The angle of the loudspeaker can be adjusted to 0°, 15°, 30°, or 45°.
4. Lock the levers into place.

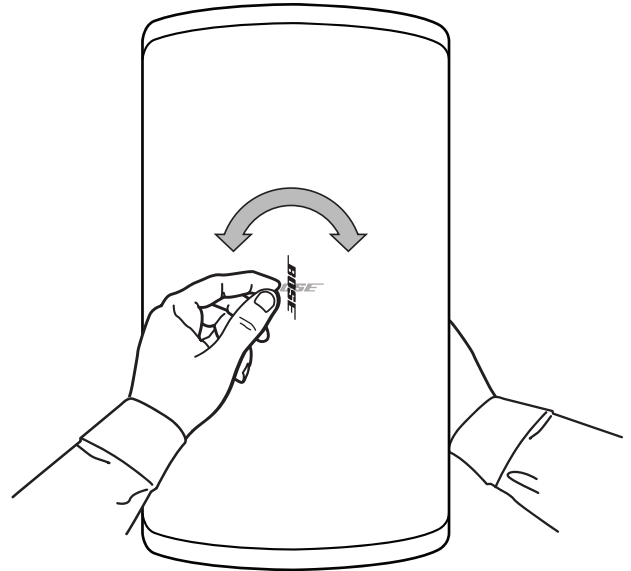
! WARNING: Failing to push the levers into the lock position as instructed can create a falling hazard, which can result in property damage, serious injury, or death. It is the installer's responsibility to ensure the mounting system is installed according to the instruction.



Rotating the Logo

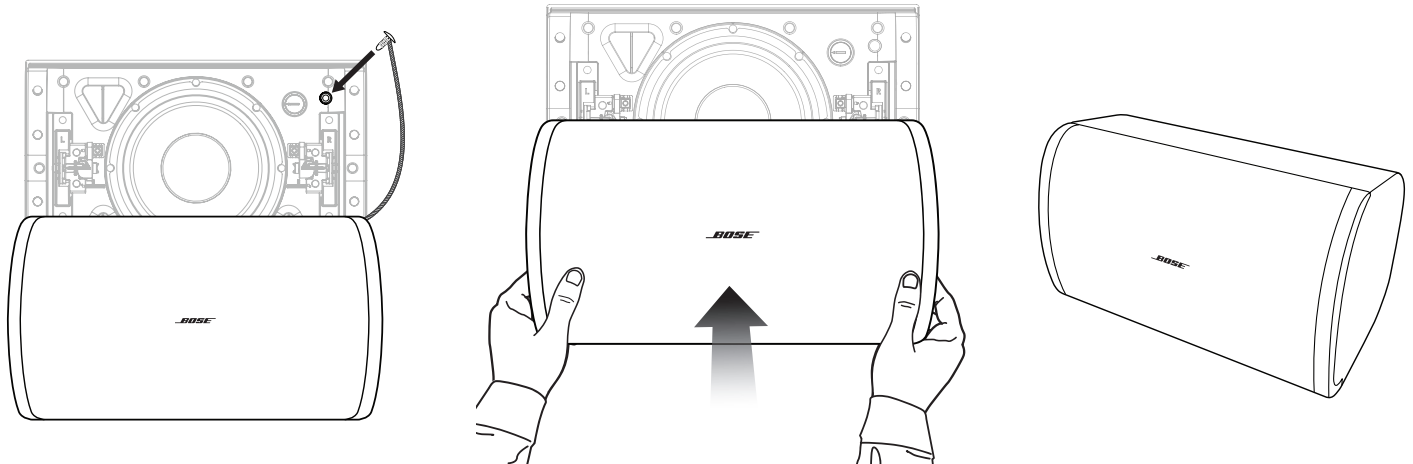
You can rotate the Bose logo to align with your loudspeaker orientation. With one hand, press the button on the back of the grille. Rotate the logo with the other hand. The logo can be rotated clockwise or counterclockwise.

Note: Do not pinch the button inward unless you intend to remove the logo.



Attaching the Grille

Insert the safety lanyard pin into the lanyard pin hole in the loudspeaker. Using both hands, position the grille against the loudspeaker, ensuring the grille is flush against the loudspeaker with no gaps. The grille secures to the loudspeaker magnetically.



Safety and Regulatory Compliance

The DesignMax DM8S loudspeaker has passed testing and complies with the following specifications and uses:

Listed to ANSI/UL 1480A-2016, Speakers for Commercial & Safety Professional Use

General-Purpose Use - UL Category UEAY, File Number S 5591 Control Number 3N89

Suitable for installation using Class 1, Class 2, Class 3 wiring methods in accordance with NFPA 70, National Electrical Code, 2017, Article 640

The DesignMax DM8S loudspeaker has been designed to the requirements defined in the following European regulatory specification for combination systems:

Tested to IEC60268-5, 2007

Lea y conserve todas las instrucciones de uso y seguridad.**Este producto está diseñado para ser instalado únicamente por instaladores profesionales.**

Este documento está diseñado para proveer las pautas de seguridad e instalación básicas a los instaladores profesionales de este producto en sistemas de instalación fija comunes. Lea este documento y todas las advertencias de seguridad antes de comenzar la instalación.

No intente reparar este producto por su cuenta. Remita todas las reparaciones a centros de servicio, instaladores, técnicos o distribuidores autorizados. Para comunicarse con Bose Professional o para encontrar un distribuidor cerca de usted, visite BoseProfessional.com.

1. Lea estas instrucciones.
2. Guarde estas instrucciones.
3. Preste atención a las advertencias.
4. Siga todas las instrucciones.
5. No use este aparato cerca del agua.
6. Límpielo solamente con un paño seco.
7. No obstruya ninguna abertura de ventilación. Realice la instalación conforme a las instrucciones del fabricante.
8. No lo instale cerca de una fuente de calor, como radiadores, rejillas de calefacción, estufas u otros aparatos (incluidos los amplificadores) que produzcan calor.
9. Utilice solamente los accesorios especificados por el fabricante.

Especificaciones del producto:

Voltaje de entrada: 70 V/100 V

Impedancia: 8 Ω, 125 W

Opciones de potencia de salida: (70 V): 2.5 W, 5 W, 10 W, 20 W, 40 W, 80 W; (100 V): 5 W, 10 W, 20 W, 40 W, 80 W

Información normativa

Este producto cumple con todos los requisitos correspondientes de la Directiva de la UE. La declaración de conformidad completa se puede encontrar en:

www.Bose.com/compliance.



Este producto cumple con todas las regulaciones aplicables de compatibilidad electromagnética de 2016 y todas las demás regulaciones aplicables del Reino Unido. La declaración de conformidad completa se puede encontrar en:

www.Bose.com/compliance



Este símbolo indica que el producto no se debe desechar como residuo doméstico y se debe enviar a una planta para tratamiento de residuos apropiada para su reciclado.

Una eliminación y un reciclado adecuados ayudan a proteger los recursos naturales, la salud humana y el medioambiente. Para obtener más información acerca de la eliminación y el reciclado de este producto, comuníquese con su municipalidad local, un centro de servicios de desecho o la tienda donde compró este producto.

Fecha de fabricación: El octavo dígito del número de serie indica el año de fabricación; p. ej., "7" es 2007 o 2017.

Importador para China: Bose Electronics (Shanghai) Company Limited, Part C, Plant 9, nro. 353 North Riyang Road, China (Shanghai), Zona franca piloto

Importador para la UE: Bose Products B.V., Gorslaan 60, 1441 RG Purmerend, Países Bajos

Importador para México: Bose de México, S. de R.L. de C.V., Paseo de las Palmas 405-204, Lomas de Chapultepec, 11000 México, D.F. Para obtener información sobre el servicio y el importador, comuníquese al: +5255 (5202) 3545

Importador para Taiwán: Bose Taiwan Branch, 9F-A1, N° 10, Section 3, Minsheng East Road, Taipei City 104, Taiwán. Número telefónico: +886-2-2514 7676

Importador en el Reino Unido: Bose Limited, Bose House, Quayside Chatham Maritime, Chatham, Kent, ME4 4QZ, Reino Unido

Bose es una marca comercial de Bose Corporation.

DesignMax es una marca comercial de Transom Post OpCo LLC.

Bose Corporation, Framingham, MA 01701, U.S.A. 1-877-230-5639

©2023 Transom Post OpCo LLC. Ninguna parte de este trabajo podrá reproducirse, modificarse, distribuirse ni usarse sin un permiso previo por escrito.

**ADVERTENCIAS/PRECAUCIONES**

Este producto contiene materiales magnéticos. Consulte con su médico si esto podría llegar a afectar un dispositivo médico implantado.

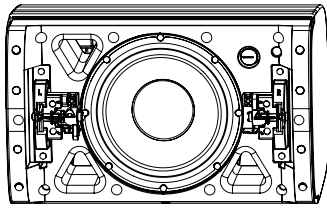
- Todos los productos Bose Professional deben instalarse conforme a las leyes locales, estatales, federales y del sector. Es responsabilidad del instalador garantizar que la instalación del sistema de soporte y los altavoces se realice conforme a los códigos aplicables, incluidos los códigos y las reglamentaciones de construcción locales. Consulte a la autoridad local competente antes de instalar este producto.
- El montaje inseguro o la suspensión en alturas de cualquier carga pesada pueden provocar lesiones graves o la muerte, además de daños a la propiedad. Es responsabilidad del instalador evaluar la confiabilidad de cualquier método de montaje utilizado para su aplicación. Únicamente los instaladores profesionales con conocimiento de las herramientas adecuadas y las técnicas de montaje seguro deberían intentar instalar cualquier altavoz en altura.
- No instale el producto en lugares donde se pueda generar condensación.
- Este producto no está diseñado para ser instalado ni utilizado en zonas de instalaciones acuáticas en interiores (incluidos, entre otros, piscinas techadas, parques acuáticos techados, jacuzzis, saunas, salas de vapor y pistas de patinaje techadas).
- Monte únicamente en superficies que sean resistentes o que no presenten peligros ocultos, como cableado eléctrico o plomería. Si no está seguro acerca de cómo instalar el soporte, comuníquese con un instalador profesional cualificado. Asegúrese de que el soporte esté instalado de acuerdo con los códigos locales de construcción.
- Utilice solo el hardware y los accesorios incluidos, o bien los que Bose Professional especifica como aptos para los altavoces DesignMax DM8S. No se suministran los componentes para fijar el altavoz a la superficie de montaje. Para obtener información sobre los accesorios compatibles, consulte la hoja de datos técnicos del producto en BoseProfessional.com.
- Mantenga el producto lejos del fuego y de fuentes de calor. No coloque sobre el producto, o en su proximidad, fuentes de llamas sin protección; por ejemplo, velas encendidas.
- No realice alteraciones no autorizadas a este producto.
- El soporte para montaje en pared DesignMax DM8S está destinado únicamente para el uso con el modelo DM8S.
- Durante la instalación, no utilice ningún tipo de solventes, lubricantes ni productos de limpieza a base de hidrocarburos en este altavoz o alrededor de él, ni en los accesorios de montaje asociados. La exposición a estas sustancias puede degradar el plástico, lo que produce grietas y el riesgo de que se caiga el dispositivo.
- Limpie los altavoces solo con un paño seco. No exponga los altavoces a detergentes, aceite mineral, alcohol ni otros agentes o químicos de limpieza.
- La rejilla cuenta con un cordón con amarre de seguridad diseñado para usarlo solo una vez.

Información de la garantía

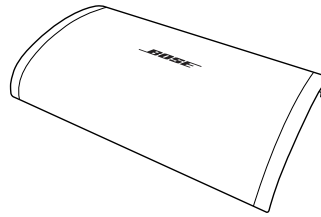
Este producto está cubierto con una garantía limitada.

Para ver los detalles de la garantía, visite BoseProfessional.com/Warranty.

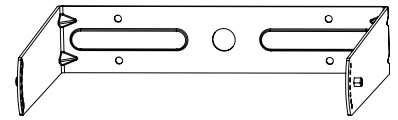
Contenido de la caja



× 1

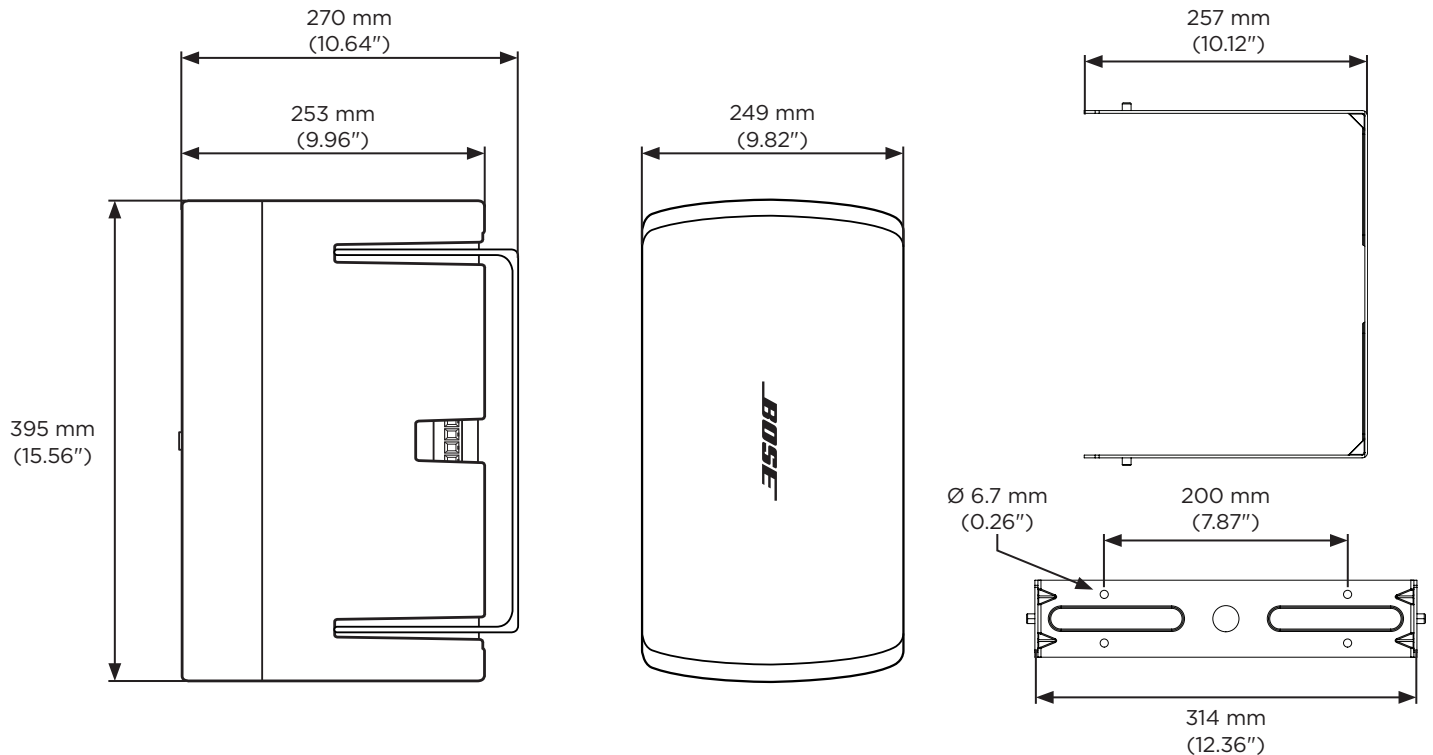


× 1



× 1

Dimensiones del producto



Especificaciones técnicas

Para conocer más especificaciones, consulte la hoja de datos técnicos de DesignMax DM8S en BoseProfessional.com.

Datos físicos	
Dimensiones del producto	Alto: 395 mm (15.56")
	Ancho: 249 mm (9.82")
	Profundidad: 253 mm (9.96")
Peso neto, altavoz con rejilla	10.34 kg (22.8 lb)
Peso de envío	13.15 kg (29.0 lb)

Información importante sobre la instalación



Es responsabilidad del instalador garantizar que la instalación del sistema de soporte y los altavoces se realice conforme a los códigos vigentes, incluidos los códigos y las reglamentaciones de construcción locales. Consulte a la autoridad local competente antes de instalar este producto. Es responsabilidad del instalador garantizar que la instalación de los altavoces sea segura. Si no se instala el altavoz correctamente, podría provocar daños, lesiones o la muerte. No instale el producto en lugares donde se pueda generar condensación.



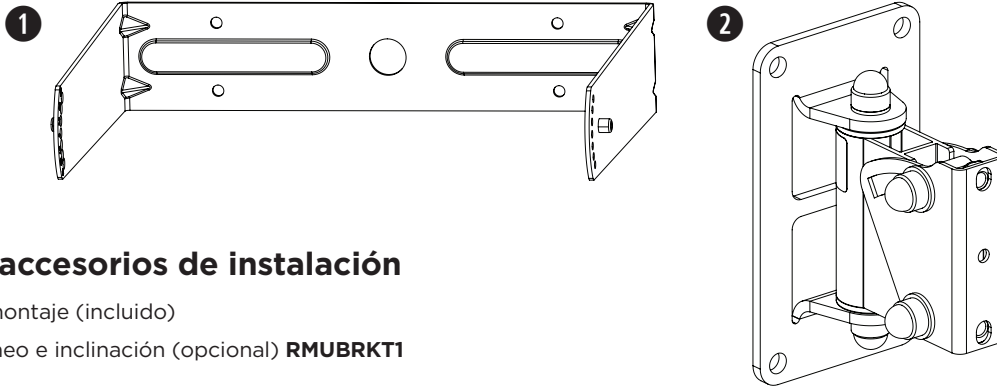
No se suministran los componentes para fijar el altavoz a la superficie de montaje. Consulte a un profesional de la construcción para obtener información sobre los componentes de montaje adecuados antes de instalar el altavoz.

Monte únicamente en superficies que sean resistentes o que no presenten peligros ocultos, como cableado eléctrico o plomería. Si no está seguro acerca de cómo instalar el soporte, comuníquese con un instalador profesional cualificado. Asegúrese de que el soporte esté instalado de acuerdo con los códigos locales de construcción.



Durante la instalación, no utilice ningún tipo de solventes, lubricantes ni productos de limpieza a base de hidrocarburos en este altavoz o alrededor de él, ni en los accesorios de montaje asociados. La exposición a estas sustancias puede degradar el plástico, lo que produce grietas y el riesgo de que se caiga el dispositivo.

Opciones de instalación



Opciones y accesorios de instalación

- 1 Soporte para montaje (incluido)
- 2 Soporte de paneo e inclinación (opcional) **RMUBRKT1**

Cableado de los altavoces

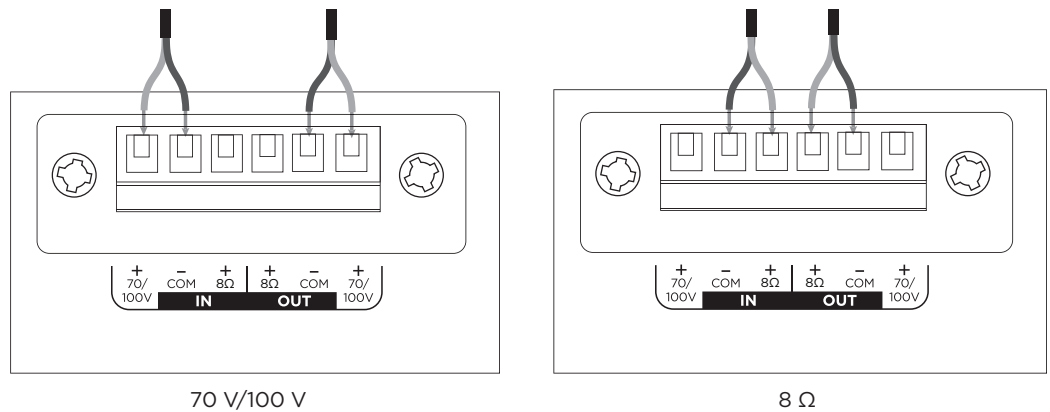
Calibre de cable

El altavoz DesignMax DM8S está diseñado para funcionar únicamente con cables que midan de 18 AWG (0.8 mm²) a 14 AWG (2.1 mm²).

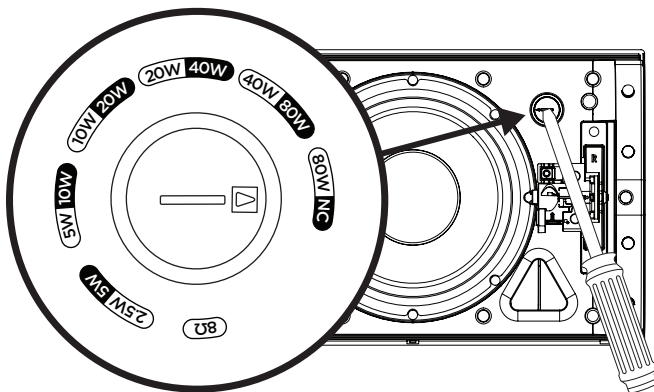
Diagramas de conexión

Exponga 6 milímetros (¼") de cable sin aislación para conectarlo a los terminales.

Nota: El altavoz no está diseñado para su uso con un conducto rígido. El altavoz es apto solamente para conexiones mediante cableado o conductos flexibles.



Configuración de altavoz



70 V						8 Ω
2.5 W	5 W	10 W	20 W	40 W	80 W*	
5 W	10 W	20 W	40 W	80 W	NC**	
100 V						

* Predeterminado de fábrica ** NC: Sin conexión (no utilizar)

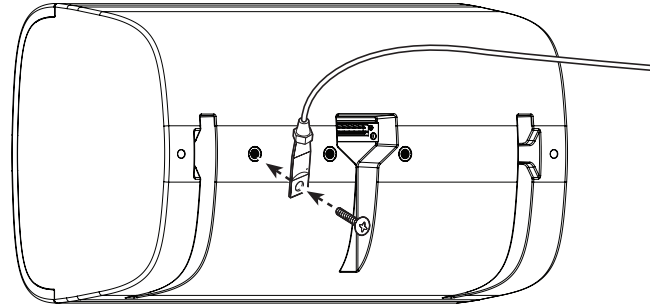
Configuración de la toma del transformador

Gire la toma para establecer la configuración. Utilice un destornillador de cabeza plana.

Uso de un cable de seguridad

En algunos códigos regionales de construcción, se exige el uso de un método secundario de fijación de los altavoces a estructuras de apoyo con el propósito de brindar mayor seguridad. Elija una posición de montaje, un método y los componentes que cumplan con los códigos y los reglamentos locales de construcción.

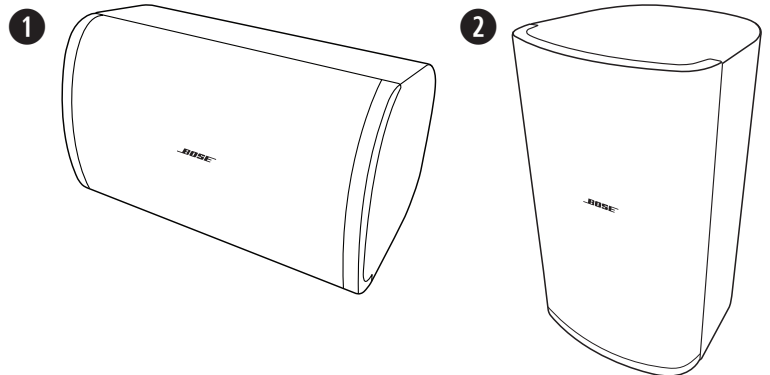
Se puede conectar un cable de seguridad al altavoz mediante la inserción roscada situada en la parte posterior de la carcasa. La inserción tiene la medida de un tornillo M8 (no incluido).



Orientación del altavoz

Escoja la orientación del altavoz que se adapte mejor a su instalación.

- ❶ Horizontal
- ❷ Vertical

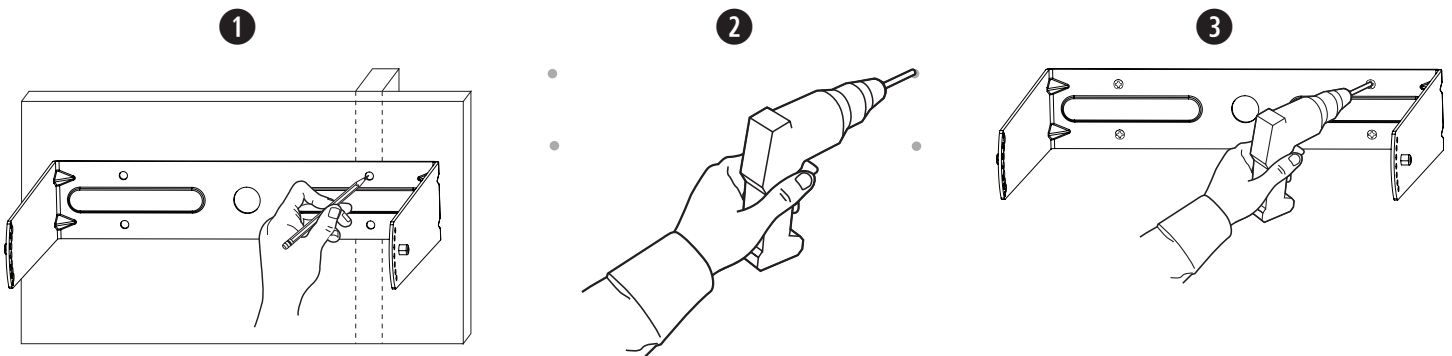


Nota: Si el altavoz se instala cerca de superficies de cocina, como entornos comerciales de cocina en los que quede expuesto directamente a aceites, es posible que disminuya el rendimiento o la operatividad del dispositivo.

Instalación del soporte

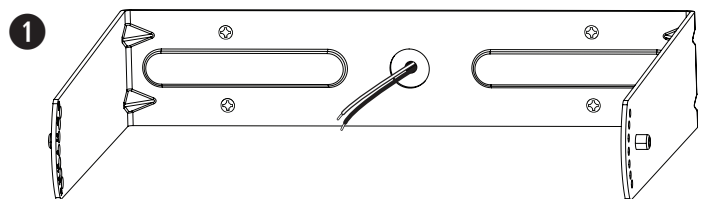
Nota: En el momento de elegir una ubicación de instalación, al menos 2 de los puntos de fijación del soporte de montaje deben fijarse a una estructura de soporte. Los puntos de fijación no asegurados a una estructura de soporte deben ajustarse con las herramientas adecuadas para la instalación.

1. Marque el lugar en el que hará los orificios con el taladro.
2. Perfore 4 orificios (del tamaño adecuado para las fijaciones) en la pared.
3. Fije el soporte a la pared con 4 tornillos (no incluidos). **Nota:** Utilice tornillos de tamaño M6 o de ¼".



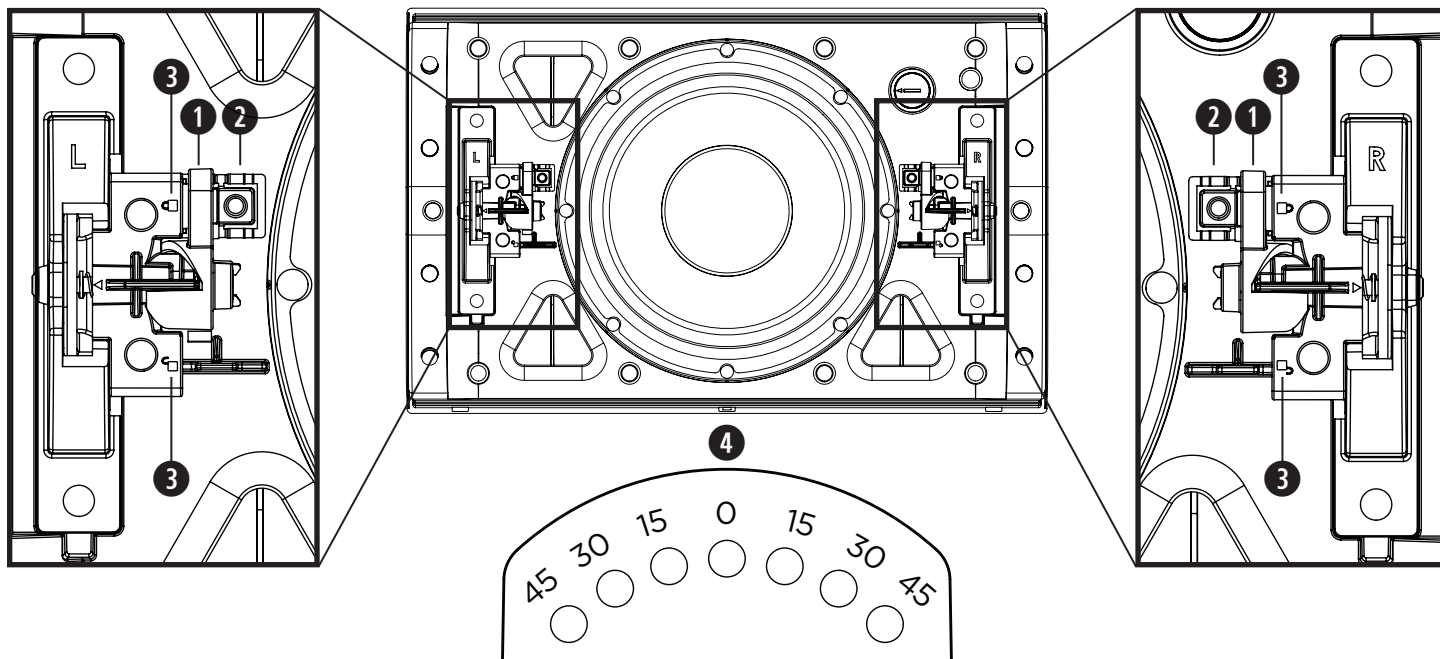
Conexión del conector

1. Pase los cables a través del orificio central del soporte.
2. Retire el conector del altavoz.
3. Conecte el altavoz. Para obtener información sobre el cableado, consulte **Conexión del altavoz** en la página 10.



Información importante sobre el montaje

- 1 **Palancas de bloqueo:** Se utilizan para fijar el altavoz al soporte para montaje. Empuje las palancas hacia los pines de bloqueo para bloquearlas; empuje las palancas en la dirección opuesta de los pines de bloqueo para desbloquearlas.
- 2 **Pines de bloqueo:** Presione los pines hacia abajo para liberar las palancas.
- 3 **Indicadores de bloqueo:** Identifique la dirección de bloqueo.
- 4 **Etiquetas de ángulo (en el soporte):** Identifique la posición de ángulo deseada.



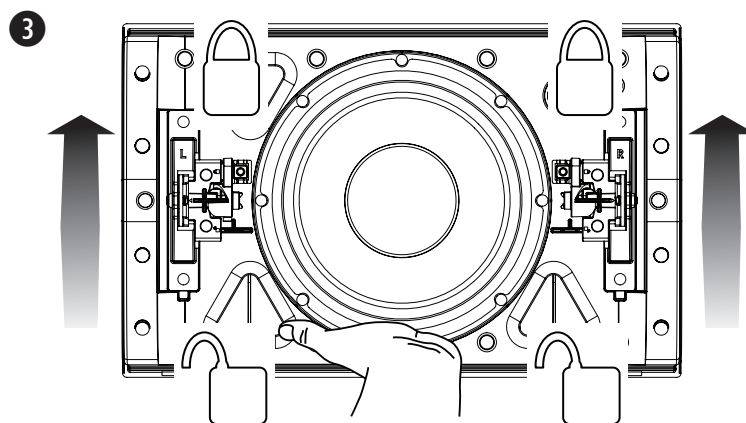
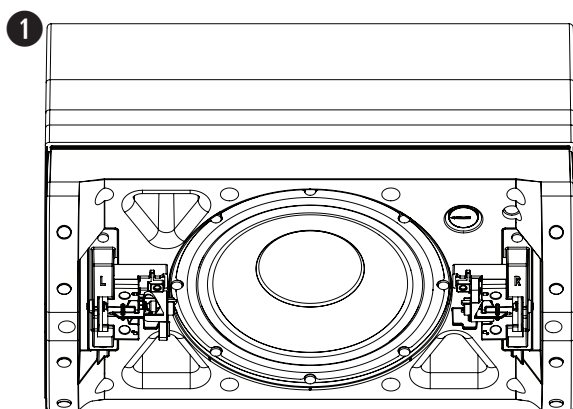
Instalación del altavoz

Nota: El altavoz se envía con las palancas de bloqueo selladas con cinta adhesiva. Quite la cinta antes de realizar la instalación.

1. Conecte el altavoz al soporte, ajuste el altavoz a 45° y bloquee las palancas en el lugar que corresponde.
 2. Fije el conector con cables al altavoz.
 3. Libere las palancas y ajuste el altavoz al ángulo de su preferencia. Asegúrese de sostener el peso del altavoz mientras ajusta su ángulo.
- Nota:** El ángulo del altavoz se puede ajustar a 0°, 15°, 30° o 45°.
4. Bloquee las palancas en el lugar que corresponde.



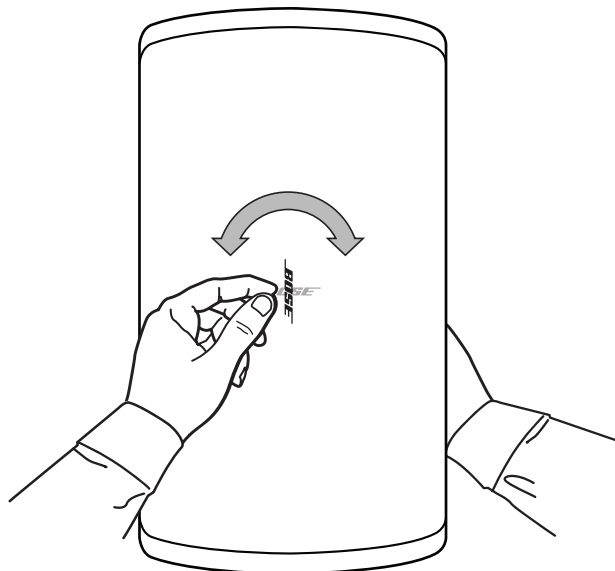
ADVERTENCIA: Si no empuja las palancas para que queden en la posición de bloqueo indicada, puede crear un riesgo de caída, lo que a su vez puede provocar daños a la propiedad, lesiones graves o la muerte. Es la responsabilidad de quien realiza la instalación garantizar que el sistema de montaje esté instalado conforme a las instrucciones.



Giro del logotipo

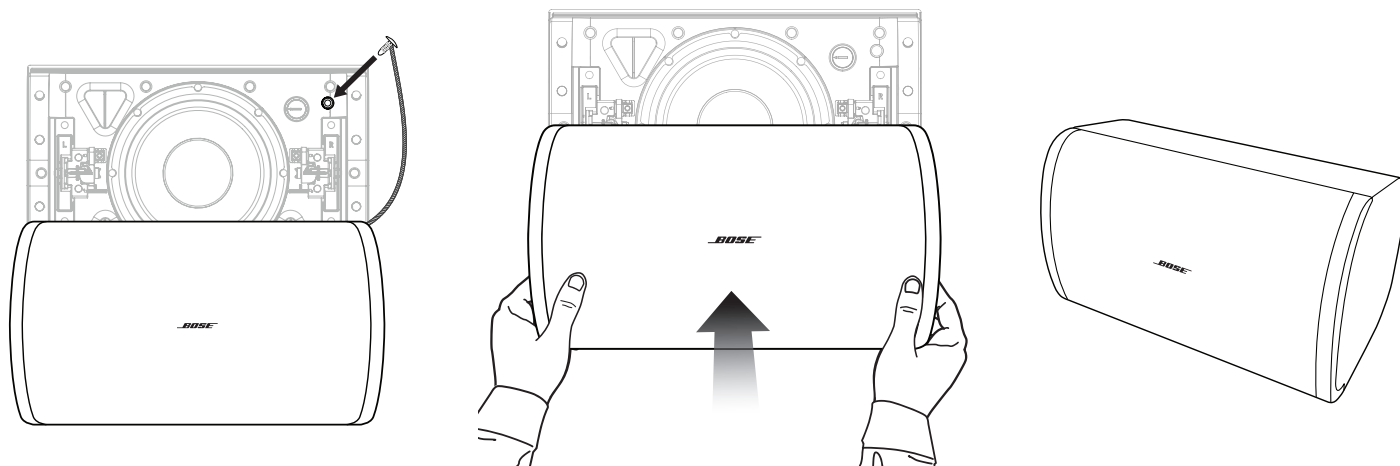
Puede girar el logotipo de Bose para alinearlo con la orientación del altavoz. Con una mano, presione el botón de la parte posterior de la rejilla. Gire el logotipo con la otra mano. El logotipo se puede girar hacia la derecha o la izquierda.

Nota: No apriete el botón hacia adentro, a menos que tenga la intención de quitar el logotipo.



Fijación de la rejilla

Inserte el cordón con amarre de seguridad en el orificio correspondiente del altavoz. Con ambas manos, posicione la rejilla frente al altavoz y asegúrese de que la rejilla esté alineada contra él sin espacios. La rejilla se fija al altavoz con imanes.



Cumplimiento de las normativas y los reglamentos de seguridad

El altavoz DesignMax DM8S ha superado pruebas y cumple con los siguientes usos y especificaciones:

Registrados en el estándar ANSI/UL 1480A-2016 para altavoces de uso comercial y profesional seguro

Uso general: estándar UL categoría UEAY, número de archivo S 5591, número de control 3N89

Apto para la instalación con métodos de cableado Clase 1, Clase 2 y Clase 3 de conformidad con el estándar NFPA 70, Código Eléctrico Nacional, 2017, Artículo 640

El altavoz DesignMax DM8S se diseñó según los requisitos definidos en la siguiente especificación reglamentaria europea para sistemas combinados:

Probado según IEC60268-5, 2007

Merci de lire et de conserver le manuel d'instruction et de respecter les consignes de sécurité.

Ce produit doit être installé par un technicien professionnel ! Ce document est destiné à fournir aux techniciens professionnels les directives de montage et de sécurité relatives à ce produit dédié à une installation fixe. Veuillez lire ce document, ainsi que l'ensemble des avertissements de sécurité avant de procéder à l'installation.

Ne tentez pas de réparer ce produit vous-même. Confiez toutes les opérations de maintenance à des centres de service, installateurs, techniciens, revendeurs ou distributeurs agréés. Pour contacter Bose Professional ou pour trouver un revendeur ou un distributeur près de chez vous, rendez-vous à l'adresse **BoseProfessional.com**.

1. Veuillez lire ces consignes.
2. Veuillez conserver ces consignes.
3. Respectez tous les avertissements.
4. Suivez toutes les consignes.
5. N'utilisez pas cet appareil à proximité d'eau ou de toute autre source d'humidité.
6. Utilisez uniquement un chiffon sec pour le nettoyage.
7. Ne bloquez jamais les orifices d'aération. Suivez les instructions du fabricant pour l'installation.
8. N'installez pas cet appareil à proximité d'une quelconque source de chaleur, telle qu'un radiateur, une arrivée d'air chaud, un four ou tout autre appareil (notamment les amplificateurs) produisant de la chaleur.
9. Utilisez uniquement les accessoires spécifiés par le fabricant.

Spécifications du produit :

Tension d'entrée : 70 V/100 V

Impédance : 8 Ω, 125 W

Courant ou puissance : (70 V) : 2,5 W, 5 W, 10 W, 20 W, 40 W, 80 W ; (100V) : 5 W, 10 W, 20 W, 40 W, 80 W

Informations réglementaires



Ce produit est conforme à toutes les directives de l'Union européenne qui s'y appliquent. La déclaration de conformité complète est disponible à l'adresse suivante : **www.Bose.com/compliance**.



Ce produit est conforme à toutes les réglementations de 2016 en matière de compatibilité électromagnétique et à toutes les autres réglementations britanniques applicables. L'attestation complète de conformité est disponible à l'adresse **www.Bose.com/compliance**



Ce symbole signifie que le produit ne doit pas être jeté avec les déchets ménagers, mais doit être déposé dans un centre de collecte approprié pour recyclage. La mise au rebut adéquate et le recyclage permettent de protéger les ressources naturelles, la santé humaine et l'environnement. Pour plus d'informations sur l'élimination et le recyclage de ce produit, contactez votre mairie, votre service d'enlèvement des ordures ou le magasin où vous avez acheté ce produit.



AVERTISSEMENTS/PRÉCAUTIONS



Ce produit contient des composants magnétiques. Consultez votre médecin afin de savoir si ces composants peuvent avoir une incidence sur tout dispositif médical implanté.

- Tous les produits Bose Professional doivent être installés dans le respect des réglementations locales et nationales. L'installateur est responsable du respect de tous les codes et règlements locaux et nationaux en vigueur applicables à l'installation et au montage des enceintes. Consultez les autorités locales compétentes avant d'installer ce produit.
- Tout montage non sécurisé ou suspension d'une lourde charge peut provoquer des dégâts matériels et des blessures graves, voire la mort. Il est de la responsabilité de l'installateur d'évaluer la fiabilité de la méthode de montage utilisée, en fonction de l'application. Seul un installateur professionnel connaissant les accessoires et techniques de montage adaptés est qualifié pour installer des enceintes suspendues.
- Ne montez pas le produit dans des endroits où de la condensation peut se former.
- Ce produit n'est pas destiné à être monté ou utilisé dans des installations humides en intérieur (par exemple piscine intérieure, parc aquatique intérieur, baignoire à remous, sauna, hammam, patinoire intérieure, etc.).
- Veillez à ne pas installer sur des surfaces peu résistantes ou dans lesquelles peuvent être intégrés des fils électriques ou des tuyaux de plomberie. En cas de doute, faites appel à un installateur professionnel. Veillez à installer le support conformément aux normes de construction locales.
- N'utilisez que le matériel et les accessoires livrés ou spécifiés par Bose Professional pour une utilisation avec les enceintes DesignMax DM8S. Le matériel de fixation de l'enceinte sur la surface de montage n'est pas fourni. Pour plus d'informations sur les accessoires compatibles, reportez-vous à la fiche technique du produit sur **BoseProfessional.com**.
- Tenez le produit à l'écart du feu et des sources de chaleur. Ne placez jamais d'objets inflammables, tels que des bougies allumées, sur l'appareil.
- Veillez à ne pas effectuer de modifications non autorisées sur ce produit.
- Le support de montage mural du produit DesignMax DM8S ne peut être utilisé qu'avec le modèle DM8S.
- N'appliquez aucun type de produit de nettoyage, d'huile de graissage ou de solvant à base d'hydrocarbure sur ou autour de cette enceinte et du matériel de montage associé pendant l'installation. L'exposition à de telles substances peut provoquer une dégradation du matériau plastique, se traduisant par des fêlures pouvant conduire à une chute de l'enceinte.
- Nettoyez uniquement les enceintes avec un chiffon sec. N'exposez pas l'enceinte à du savon, des détergents, des huiles minérales, de l'alcool ou d'autres agents nettoyants ou chimiques.
- La grille est équipée d'un cordon de sécurité à usage unique.

Date de fabrication : le huitième chiffre du numéro de série indique l'année de fabrication ; par exemple, « 7 » correspond à 2007 ou à 2017.

Importateur pour la Chine : Bose Electronics (Shanghai) Company Limited, Part C, Plan 9 No. 353 North Riyang Road, China (Shanghai) Pilot Free Trade Zone

Importateur pour l'UE : Bose Products B.V., Gorslaan 60, 1441 RG Purmerend, Pays-Bas

Importateur pour le Mexique : Bose de México, S. de R.L. de C.V. , Paseo de las Palmas 405-204, Lomas de Chapultepec, 11000 México, D.F. Pour plus d'informations sur l'importateur et le service : +5255 (5202) 3545

Importateur pour Taïwan : Bose Taiwan Branch, 9F-A1, No. 10, Section 3, Minsheng East Road, Taipei City 104, Taïwan. Numéro de téléphone : +886-2-2514 7676

Importateur pour le Royaume-Uni : Bose Limited, Bose House, Quayside Chatham Maritime, Chatham, Kent, ME4 4QZ, Royaume-Uni

Bose est une marque commerciale de Bose Corporation.

DesignMax est une marque commerciale de Transom Post OpCo LLC.

Bose Corporation, Framingham, MA 01701, U.S.A. 1-877-230-5639

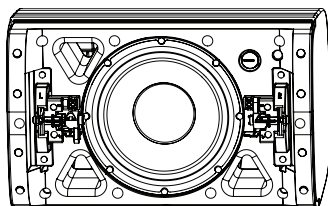
©2023 Transom Post OpCo LLC. Toute reproduction, modification, distribution ou autre utilisation, même partielle, de ce document est interdite sans autorisation écrite préalable.

Informations relatives à la garantie

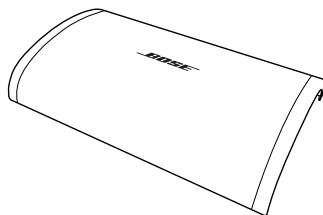
Cet appareil est couvert par une garantie limitée.

Pour avoir plus d'information sur la garantie, visitez **BoseProfessional.com/Warranty**.

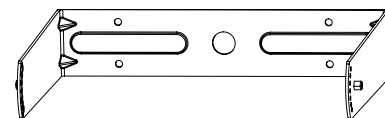
Contenu de l'emballage



x1

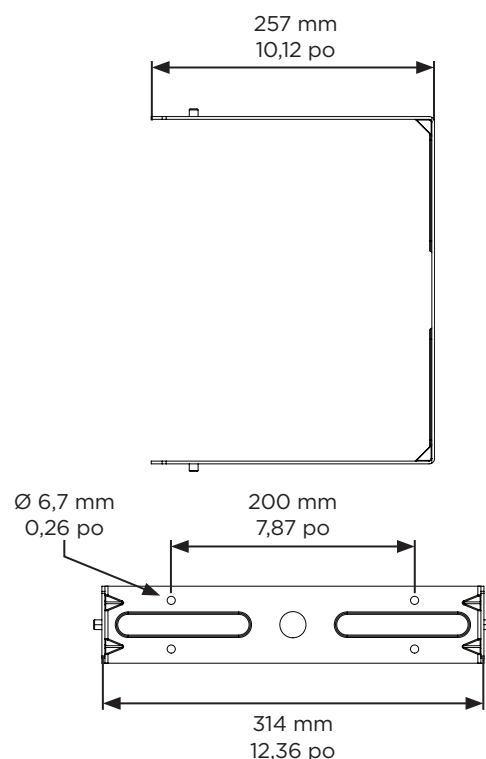
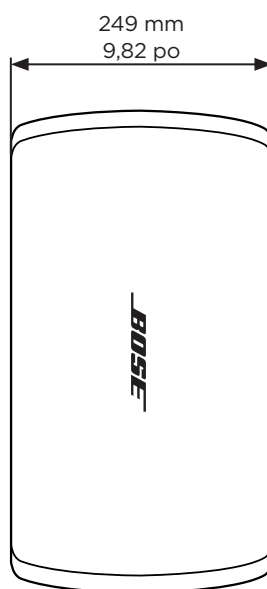
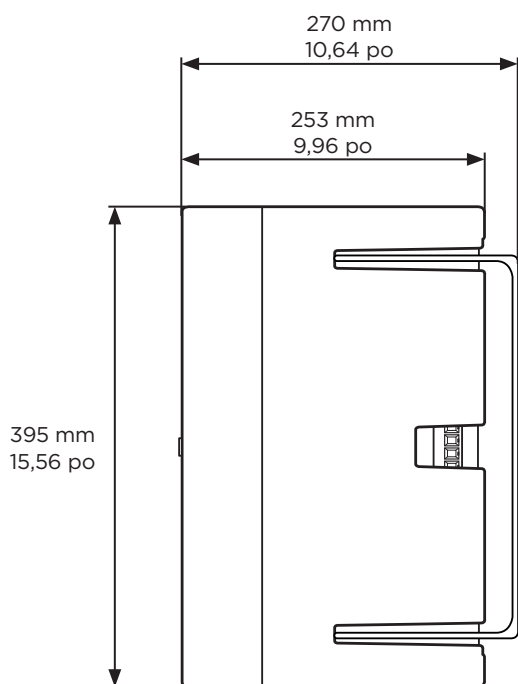


x1



x1

Dimensions du produit



Caractéristiques techniques

Vous trouverez des caractéristiques supplémentaires dans la fiche technique du produit DesignMax DM8S sur BoseProfessional.com.

Caractéristiques physiques	
Dimensions du produit	Hauteur : 395 mm (15,56 po)
	Largeur : 249 mm (9,82 po)
	Profondeur : 253 mm (9,96 po)
Poids net, enceinte avec grille	10,34 kg (22,8 lb)
Poids brut	13,15 kg (29,0 lb)

Informations importantes concernant l'installation



L'installateur est responsable du respect de tous les codes et règlements locaux et nationaux en vigueur applicables à l'installation et au montage des enceintes. Consultez les autorités locales compétentes avant d'installer ce produit.

Il incombe à l'installateur d'assurer la sécurité de l'installation de l'enceinte. L'installation incorrecte de l'enceinte est susceptible d'entraîner des dommages et des blessures, voire la mort.

Ne montez pas le produit dans des endroits où de la condensation peut se former.



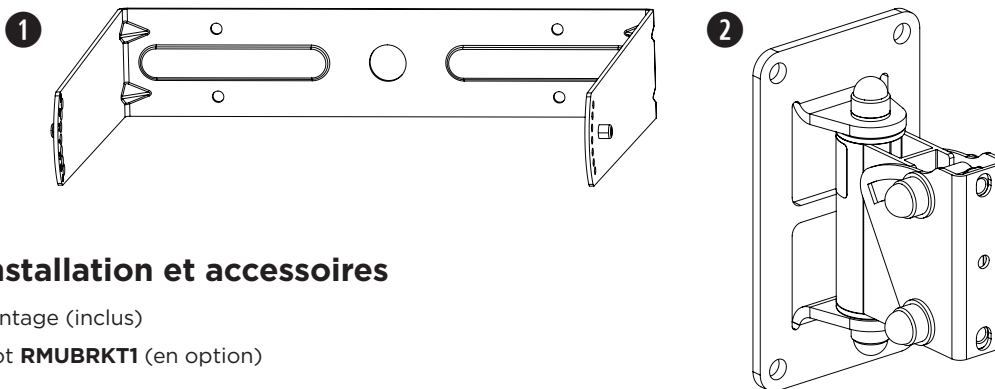
Le matériel de fixation de l'enceinte sur la surface de montage n'est pas fourni. Consultez un professionnel du bâtiment pour connaître le matériel de montage approprié avant d'installer l'enceinte.

Veillez à ne pas installer sur des surfaces peu résistantes ou dans lesquelles peuvent être intégrés des fils électriques ou des tuyaux de plomberie. En cas de doute, faites appel à un installateur professionnel. Veillez à installer le support conformément aux normes de construction locales.



N'appliquez aucun type de produit de nettoyage, d'huile de graissage ou de solvant à base d'hydrocarbure sur ou autour de cette enceinte et du matériel de montage associé pendant l'installation. L'exposition à de telles substances peut provoquer une dégradation du matériau plastique, se traduisant par des fêlures pouvant conduire à une chute de l'enceinte.

Options d'installation



Options d'installation et accessoires

- ❶ Support de montage (inclus)
- ❷ Support bi-pivot **RMUBRKT1** (en option)

Câblage de l'enceinte

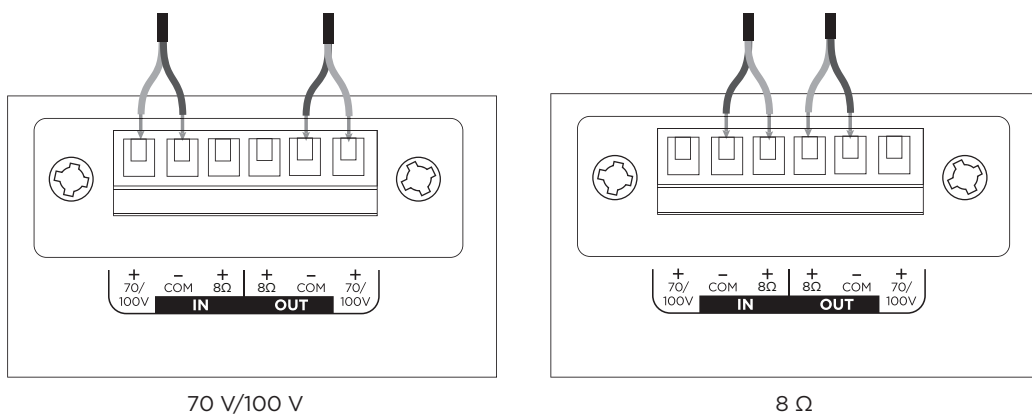
Épaisseur des câbles

L'enceinte DesignMax DM8S est conçue pour fonctionner avec des câbles de taille 18 (0,8 mm²) à 14 AWG (2,1 mm²) uniquement.

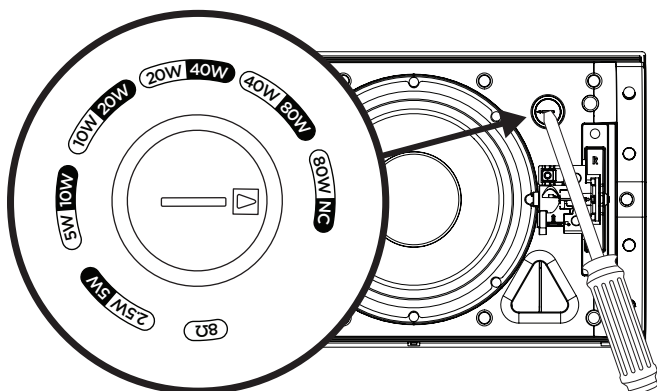
Diagrammes de connexion

Exposez six millimètres (¼ po) de fil dénudé à relier aux bornes.

Remarque : l'enceinte n'est pas adaptée à une utilisation avec un conduit rigide. L'enceinte convient uniquement à des conduits flexibles ou à une connexion de câblage.



Réglages de l'enceinte



70 V						8 Ω
2,5 W	5 W	10 W	20 W	40 W	80 W*	
5 W	10 W	20 W	40 W	80 W	NC**	
100 V						

* Réglage d'usine par défaut

** NC : pas de connexion (ne pas utiliser)

Réglage de la prise du transformateur

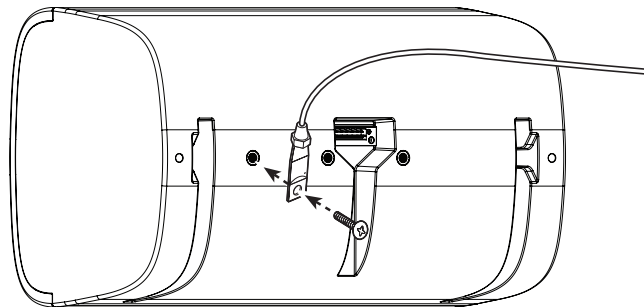
Régalez la prise en la tournant. Utilisez un tournevis à tête plate.

Utilisation d'un câble de sécurité

Le code de l'urbanisme de certaines régions impose l'utilisation d'une méthode secondaire de fixation des enceintes aux structures porteuses pour apporter une sécurité supplémentaire. Pour le montage, choisissez une position, une méthode et des accessoires compatibles avec le code de l'urbanisme local.

Un câble de sécurité peut être fixé à l'insert fileté à l'arrière de l'enceinte.

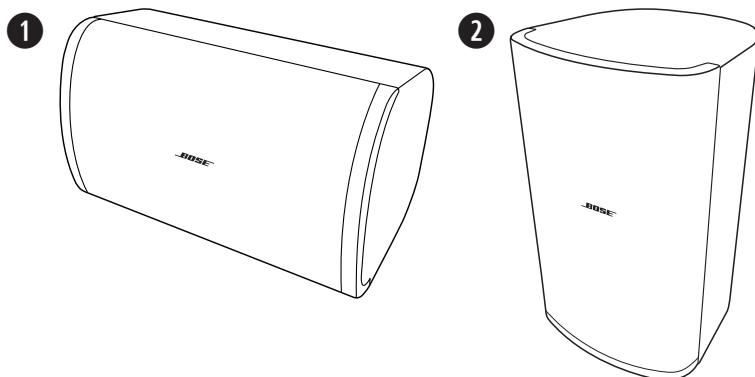
L'insert est adapté à une vis M8 (non fournie).



Orientation de l'enceinte

Choisissez l'orientation de l'enceinte la mieux adaptée à votre installation.

- ❶ Horizontale
- ❷ Verticale

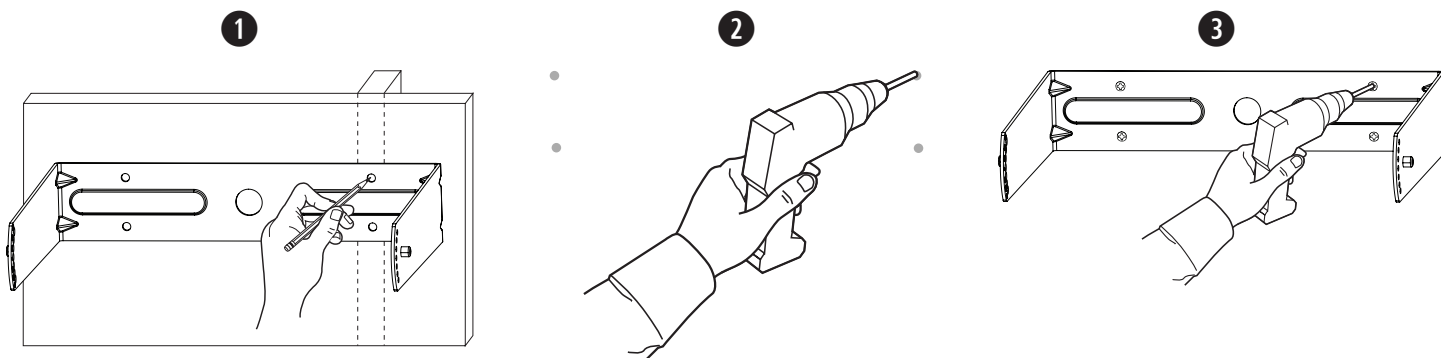


Remarque : une installation à proximité immédiate de surfaces de cuisson, où l'enceinte peut être exposée directement à des huiles de cuisson, comme par exemple dans une cuisine en milieu professionnel, peut réduire les performances ou compromettre le fonctionnement de l'enceinte.

Installation du support

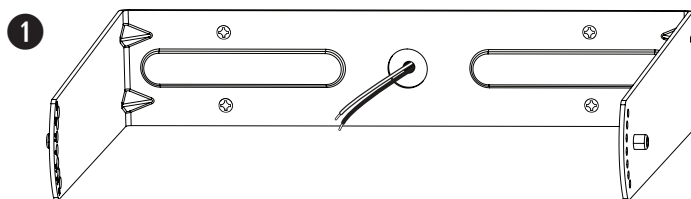
Remarque : lors du choix de l'emplacement de montage, au moins deux des points de fixation du support de montage doivent être fixés à une structure porteuse. Les points de fixation non fixés à une structure porteuse doivent être fixés à l'aide du matériel approprié pour l'installation.

1. Marquez les emplacements de perçage.
2. Percez quatre trous (de taille adaptée aux fixations appropriées) dans le mur.
3. Fixez le support au mur à l'aide de quatre vis (non fournies). **Remarque :** utilisez des vis M6 ou de ¼ po.



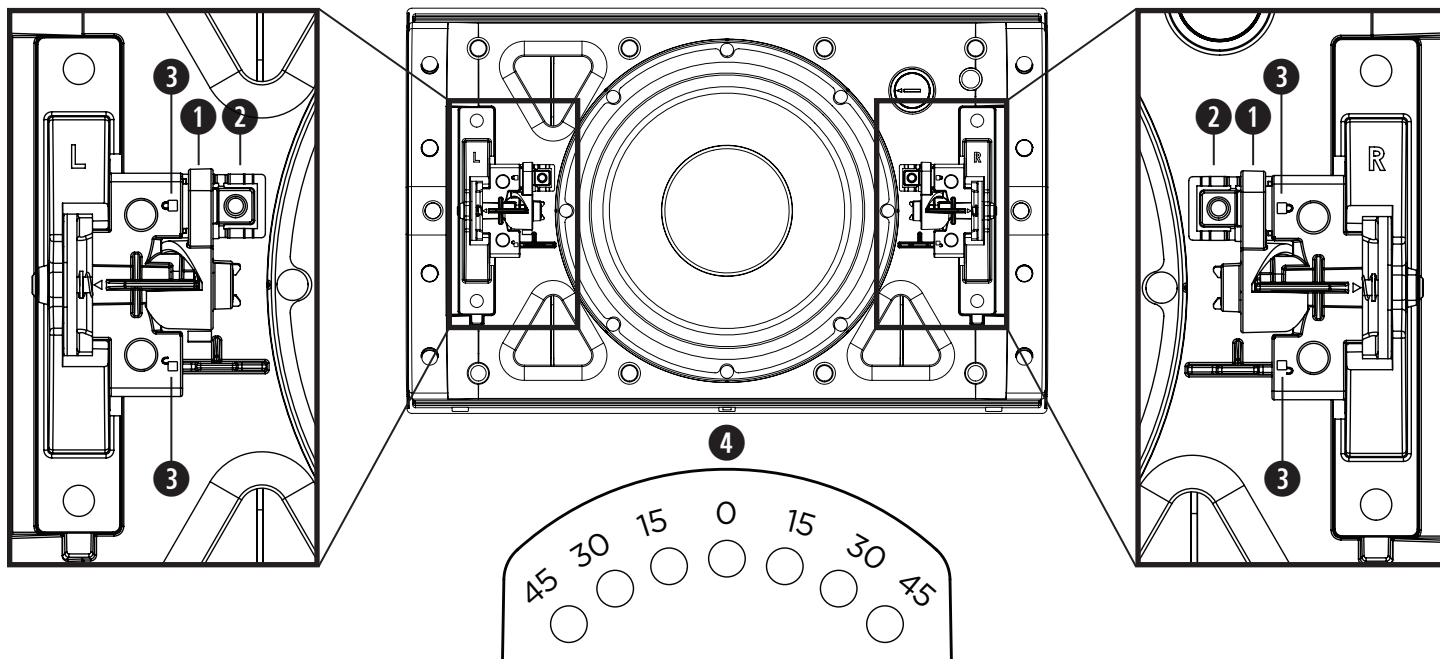
Câblage du connecteur

1. Faites passer les fils dans l'ouverture centrale du support.
2. Retirez le connecteur de l'enceinte.
3. Câblez le connecteur. Consultez la section **Câblage de l'enceinte** à la page 16 pour plus d'informations sur le câblage.



Informations importantes pour le montage

- ❶ **Taquets de verrouillage** : utilisés pour fixer l'enceinte au support de montage. Poussez les taquets vers les axes de blocage pour les verrouiller ; retirez les taquets des axes de blocage pour les déverrouiller.
- ❷ **Axes de blocage** : appuyez sur les axes pour déverrouiller les taquets.
- ❸ **Indicateurs de blocage** : identifiez la direction de verrouillage souhaitée.
- ❹ **Repères d'inclinaison (sur le support)** : identifiez l'inclinaison souhaitée.



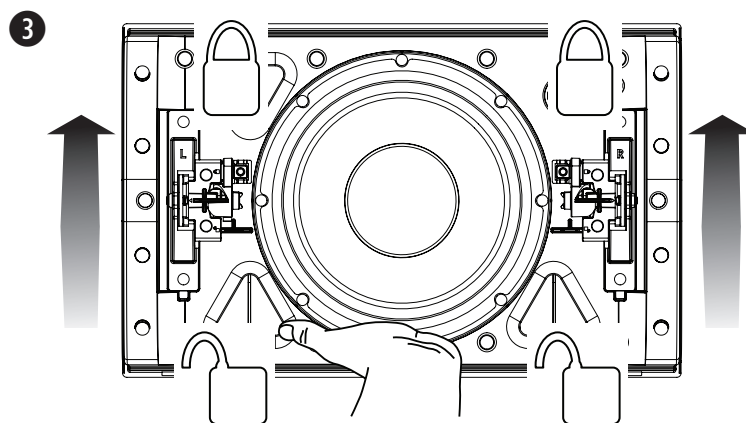
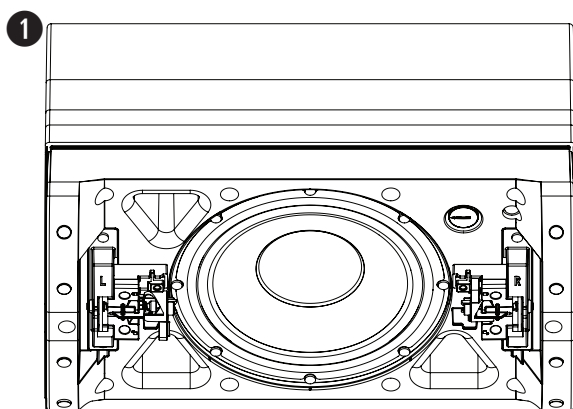
Installation de l'enceinte

Remarque : l'enceinte est livrée avec les taquets de verrouillage attachés sur le dessous avec un ruban adhésif. Retirez l'adhésif avant l'installation.

1. Fixez l'enceinte au support, inclinez l'enceinte à 45°, puis verrouillez les taquets.
 2. Branchez le connecteur câblé à l'enceinte.
 3. Déverrouillez les taquets puis réglez l'enceinte selon l'angle désiré. Veillez à supporter le poids de l'enceinte pendant que vous l'inclinez.
- Remarque** : l'inclinaison de l'enceinte peut être de 0°, 15°, 30°, ou 45°.
4. Verrouillez les taquets.



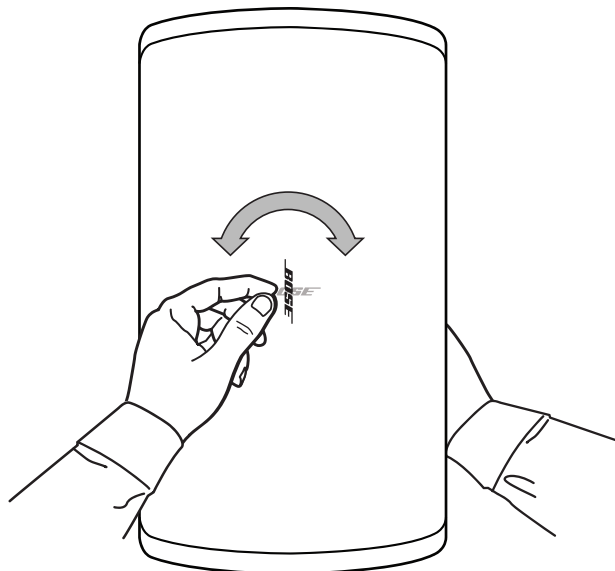
AVERTISSEMENT : ne pas verrouiller les taquets comme indiqué peut aboutir à un risque de chute pouvant entraîner des dommages matériels, des blessures graves ou la mort. Il est de la responsabilité de l'installateur de s'assurer que le système de montage est installé conformément aux instructions.



Rotation du logo

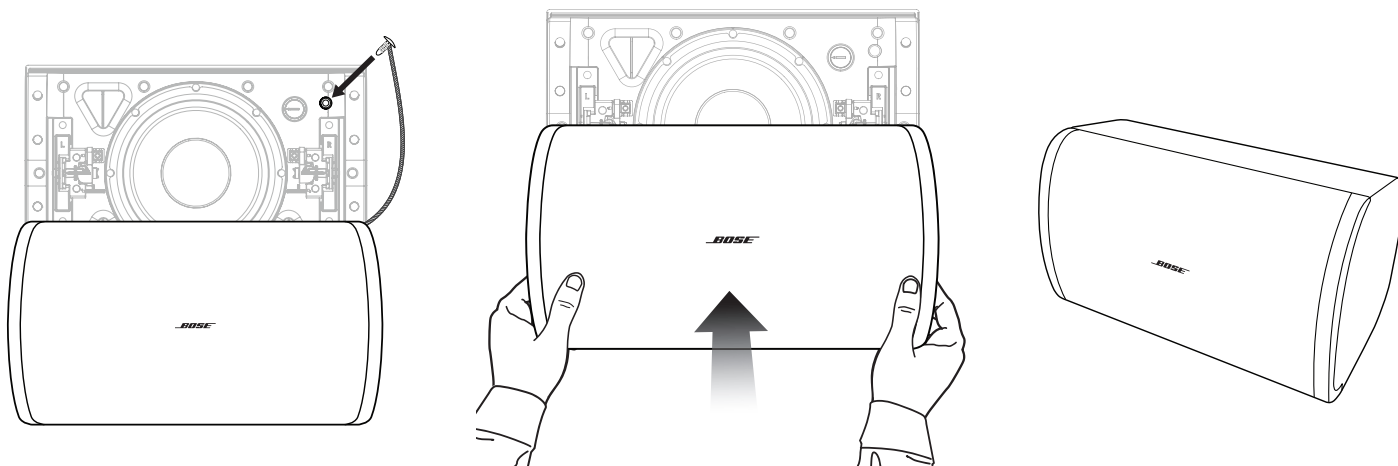
Vous pouvez faire pivoter le logo Bose pour l'aligner sur l'orientation de l'enceinte. D'une main, appuyez sur le bouton situé au dos de la grille. Faites pivoter le logo avec l'autre main. Il est possible de faire pivoter le logo dans le sens des aiguilles d'une montre ou dans le sens inverse.

Remarque : ne pincez pas le bouton vers l'intérieur à moins que vous ne souhaitiez retirer le logo.



Pose de la grille

Insérez la broche du cordon de sécurité dans l'orifice de l'enceinte approprié. À l'aide de vos deux mains, positionnez la grille contre l'enceinte en vous assurant qu'elle est bien fixée à l'enceinte et qu'il n'y a pas de jeu. La grille à fixation aimantée adhère à l'enceinte.



Conformité aux réglementations et aux normes de sécurité en vigueur

L'enceinte DesignMax DM8S a subi avec succès une phase complète de tests et elle est conforme aux spécifications et utilisations suivantes :

Conformes à la norme ANSI/UL 1480A-2016, Enceintes destinées à un usage professionnel (sécurité) et commercial

Utilisation générale, catégorie UL UEAY, dossier S 5591, numéro de contrôle 3N89

Convient à une installation suivant les méthodes de câblage de classe 1, 2 ou 3 selon la norme NFPA 70, National Electrical Code, 2017, Article 640

L'enceinte DesignMax DM8S a été conçue en conformité avec les exigences définies dans les spécifications réglementaires européennes suivantes relatives aux systèmes utilisés en combinaison :

Testée conforme à la norme CEI 60268-5, 2007

Bitte lesen Sie alle Sicherheitshinweise und Gebrauchsanleitungen durch und bewahren Sie sie auf.

Dieses Produkt darf nur von fachkundigen Monteuren installiert werden! Dieses Dokument soll fachkundigen Monteuren grundlegende Installations- und Sicherheitsrichtlinien für dieses Produkt in typischen Festinstallationen bieten. Bitte lesen Sie dieses Dokument und alle Sicherheitshinweise vor der Installation durch.

Versuchen Sie nicht, dieses Produkt selbst zu warten. Lassen Sie jegliche Reparatur- und Wartungsarbeiten nur von autorisierten Servicepartnern, Monteuren, Technikern, Händlern oder Distributoren durchführen. Die Bose Professional Kontaktdaten für Ihr Land finden Sie auf **BoseProfessional.com**.

1. Lesen Sie die folgenden Anweisungen.
2. Bewahren Sie die Anweisungen auf.
3. Beachten Sie alle Warn- und Sicherheitshinweise.
4. Befolgen Sie alle Anweisungen.
5. Verwenden Sie dieses Gerät nicht in der Nähe von Wasser.
6. Reinigen Sie das Gerät nur mit einem sauberen, trockenen Tuch.
7. Achten Sie darauf, dass die Lüftungsöffnungen nicht blockiert sind. Stellen Sie das Gerät nur in Übereinstimmung mit den Herstelleranweisungen auf.
8. Stellen Sie das Gerät nicht in der Nähe von Wärmequellen auf, wie zum Beispiel Heizkörpern, Wärmespeichern, Öfen oder anderen Geräten (auch Verstärkern), die Wärme erzeugen.
9. Verwenden Sie nur Zubehör-/Anbauteile, die vom Hersteller zugelassen sind.



WARNHINWEISE





Dieses Produkt enthält magnetische Materialien. Wenden Sie sich an Ihren Arzt, wenn Sie wissen möchten, ob dies den Betrieb Ihres implantierten medizinischen Geräts beeinflussen kann.

- Alle Produkte von Bose Professional müssen gemäß den örtlichen und staatlichen Vorschriften sowie gemäß allen Branchenbestimmungen installiert werden. Der Monteur ist dafür verantwortlich, sicherzustellen, dass die Installation der Lautsprecher und der Halterung gemäß allen geltenden Vorschriften durchgeführt wird, einschließlich örtlicher Bauvorschriften und -bestimmungen. Wenden Sie sich vor der Installation dieses Produkts an die zuständige abnehmende Behörde.
- Eine nicht ausreichend gesicherte Montage schwerer Lasten oder deren Aufhängung über Kopf kann zu schweren oder tödlichen Verletzungen und Sachschäden führen. Der Monteur ist dafür verantwortlich, die Zuverlässigkeit der für die Anwendung verwendeten Befestigungstechniken zu prüfen. Nur fachkundige Monteure mit Wissen über sachgemäße Befestigungselemente und sichere Befestigungstechniken sollten Lautsprecher über Kopf installieren.
- Montieren Sie das Produkt nicht an Orten, an denen Kondenswasser auftreten kann.
- Dieses Produkt ist nicht für die Installation oder Verwendung in Feuchtbereichen (zum Beispiel Schwimmbädern, Wasserparks, Räumen mit Whirlpools, Saunas, Dampfbädern und Eislaufbahnen) gedacht.
- Bei der Montage ist auf eine tragfähige Oberfläche zu achten, in deren Nähe sich keine Einrichtungen wie strom- oder wasserführende Leitungen befinden. Wenden Sie sich im Zweifelsfall mit der Montage der Halterung an einen fachkundigen Monteur. Bei der Montage der Halterung ist auf die Einhaltung der örtlichen Bauvorschriften zu achten.
- Verwenden Sie für die Montage ausschließlich die im Lieferumfang enthaltenen oder von Bose Professional für die Verwendung mit den DesignMax DM8S Lautsprechern zugelassene Hardware und entsprechende Zubehörteile. Befestigungselemente für das Anbringen des Lautsprechers auf der Montagefläche sind nicht im Lieferumfang enthalten. Informationen zu kompatiblen Zubehörteilen finden Sie in den technischen Datenblättern auf **BoseProfessional.com**.
- Halten Sie das Produkt von Feuer und Wärmequellen fern. Stellen Sie keine brennenden Kerzen oder ähnliches auf das Gerät oder in die Nähe des Geräts.
- Nehmen Sie keine nicht genehmigten Änderungen an diesem Produkt vor.
- Die DesignMax DM8S Wandhalterung ist ausschließlich für die Verwendung mit dem Lautsprechermodell DM8S geeignet.
- Verwenden Sie keine auf Kohlenwasserstoff basierenden Lösungsmittel, Schmiermittel oder Reinigungsmittel am oder in der Nähe dieses Lautsprechers oder während der Installation mit dem zugehörigen Montagematerial. Der Kontakt mit solchen Mitteln kann zu Rissen im Kunststoffmaterial und infolgedessen zum Herunterfallen führen.
- Die Lautsprecher nur mit einem weichen, trockenen Tuch reinigen. Verwenden Sie zur Reinigung niemals Seife, Spülmittel, Mineralöl, Alkohol oder sonstige Reinigungsmittel oder Chemikalien.
- Das Abdeckgitter verfügt über einen Sicherheitssperrbolzen mit Sicherungsseil für den einmaligen Gebrauch.

Leistungsdaten:

Eingangsspannung: 70 V/100 V

Impedanz: 8 Ω, 125 W

Nennleistung: (70 V): 2,5 W, 5 W, 10 W, 20 W, 40 W, 80 W; (100 V): 5 W, 10 W, 20 W, 40 W, 80 W

Gesetzliche Hinweise



Dieses Produkt entspricht allen Anforderungen der geltenden EU-Richtlinien. Die vollständige Konformitätserklärung ist einsehbar unter: www.Bose.com/compliance.



Dieses Produkt erfüllt alle geltenden Vorschriften zur elektromagnetischen Verträglichkeit 2016 und alle anderen zutreffenden UK-Richtlinien. Die vollständige Konformitätserklärung ist einsehbar unter www.Bose.com/compliance



Dieses Symbol bedeutet, dass das Produkt nicht mit dem Hausmüll entsorgt werden darf, sondern bei einer geeigneten Sammelstelle für das Recycling abgegeben werden muss. Die ordnungsgemäße Entsorgung und das Recycling tragen dazu bei, die natürlichen Ressourcen, die Gesundheit und die Umwelt zu schützen. Weitere Informationen zur Entsorgung und zum Recycling dieses Produkts erhalten Sie von Ihrer zuständigen Kommune, Ihrem Entsorgungsdienst oder dem Geschäft, in dem Sie dieses Produkt gekauft haben.

Herstellungsdatum: Die achte Ziffer in der Seriennummer gibt das Herstellungsjahr an: „7“ ist 2007 oder 2017.

Importeur aus China: Bose Electronics (Shanghai) Company Limited, Part C, Plant 9, No. 353 North Riyang Road, China (Shanghai) Pilot Free Trade Zone

Importeur aus der EU: Bose Products B.V., Gorslaan 60, 1441 RG Purmerend, Niederlande

Importeur aus Mexiko: Bose de México, S. de R.L. de C.V., Paseo de las Palmas 405-204, Lomas de Chapultepec, 11000 México, D.F. Importeur- und Serviceinformationen erhalten Sie unter: +5255 (5202) 3545

Importeur aus Taiwan: Bose Taiwan Branch, 9F-A1, No. 10, Section 3, Minsheng East Road, Taipei City 104, Taiwan. Tel.: +886-2-2514 7676

UK-Import: Bose Limited, Bose House, Quayside Chatham Maritime, Chatham, Kent, ME4 4QZ, Vereinigtes Königreich

Bose ist eine Marke der Bose Corporation.

DesignMax ist eine Marke der Transom Post OpCo LLC.

Bose Corporation, Framingham, MA 01701, U.S.A. 1-877-230-5639

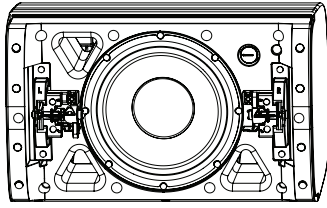
©2023 Transom Post OpCo LLC. Dieses Dokument darf ohne vorherige schriftliche Genehmigung weder ganz noch teilweise reproduziert, verändert, vertrieben oder in anderer Weise verwendet werden.

Garantiehinweise

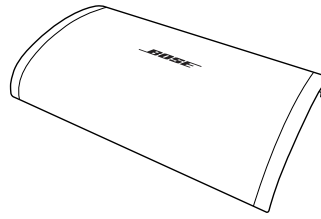
Für dieses Produkt gilt eine eingeschränkte Garantie.

Informationen zur Gewährleistung finden Sie unter BoseProfessional.com/Warranty.

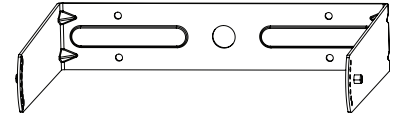
Verpackungsinhalt



x1

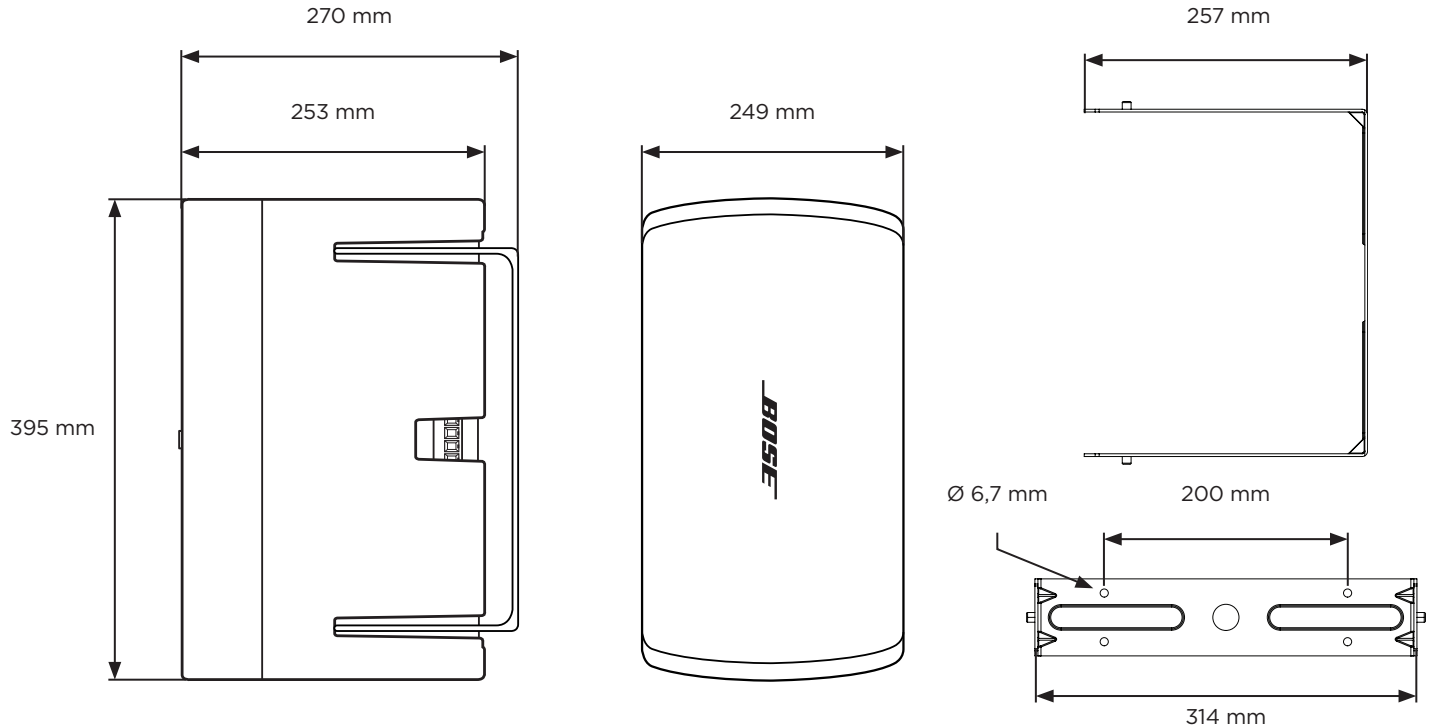


x1



x1

Produktabmessungen



Technische Spezifikationen

Weitere technische Spezifikationen können Sie den technischen Datenblättern für DesignMax DM8S auf BoseProfessional.com entnehmen.

Material, Abmessungen, Gewicht	
Produktabmessungen	Höhe: 395 mm
	Breite: 249 mm
	Tiefe: 253 mm
Nettogewicht - Lautsprecher und Abdeckgitter	10,34 kg
Versandgewicht	13,15 kg

Wichtige Installationshinweise



Der Monteur ist dafür verantwortlich, sicherzustellen, dass die Installation der Lautsprecher und der Halterung gemäß allen geltenden Vorschriften durchgeführt wird, einschließlich örtlicher Bauvorschriften und -bestimmungen. Wenden Sie sich vor der Installation dieses Produkts an die zuständige abnehmende Behörde.

Die Gewährleistung der Sicherheit der Lautsprechermontage obliegt demjenigen, der den Lautsprecher anbringt. Die fehlerhafte Montage des Lautsprechers kann zu Sach- und Personenschäden bis hin zur Todesfolge führen.

Montieren Sie das Produkt nicht an Orten, an denen Kondenswasser auftreten kann.



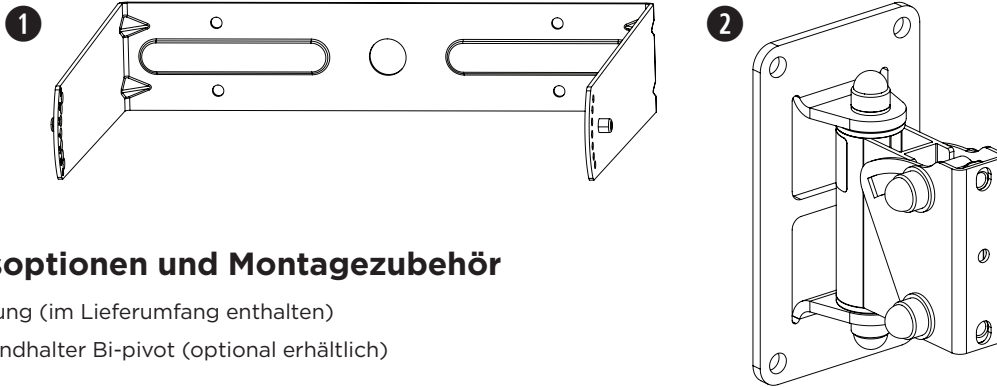
Werkzeuge für das Anbringen des Lautsprechers sind nicht im Lieferumfang enthalten. Fragen Sie eine Fachkraft nach den geeigneten Montagewerkzeugen, bevor Sie den Lautsprecher anbringen.

Bei der Montage ist auf eine tragfähige Oberfläche zu achten, in deren Nähe sich keine Einrichtungen wie strom- oder wasserführende Leitungen befinden. Wenden Sie sich im Zweifelsfall mit der Montage der Halterung an einen fachkundigen Monteur. Bei der Montage der Halterung ist auf die Einhaltung der örtlichen Bauvorschriften zu achten.



Verwenden Sie keine auf Kohlenwasserstoff basierenden Lösungsmittel, Schmiermittel oder Reinigungsmittel am oder in der Nähe dieses Lautsprechers oder während der Installation mit dem zugehörigen Montagematerial. Der Kontakt mit solchen Mitteln kann zu Rissen im Kunststoffmaterial und infolgedessen zum Herunterfallen führen.

Installationsoptionen



Installationsoptionen und Montagezubehör

- ❶ Montagehalterung (im Lieferumfang enthalten)
- ❷ RMUBRKT1 Wandhalter Bi-pivot (optional erhältlich)

Verkabeln des Lautsprechers

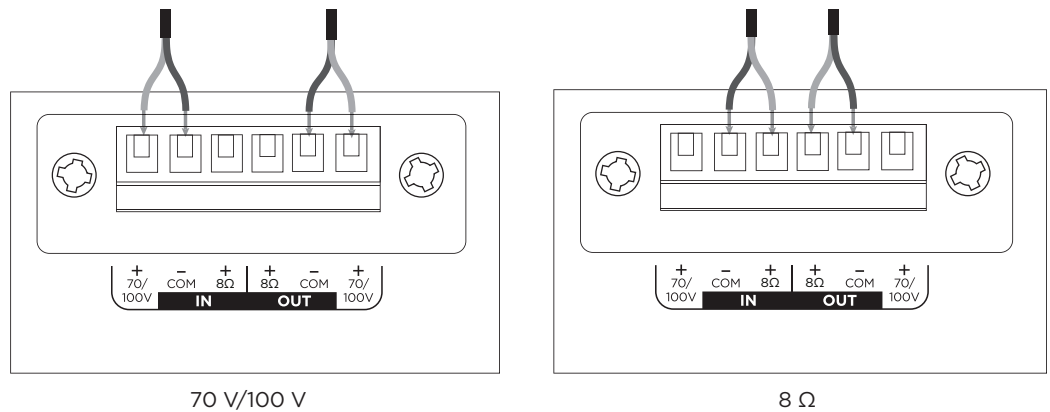
Kabeldurchmesser

Der DesignMax DM8S Lautsprecher wurde für den ausschließlichen Gebrauch mit Kabeln der Größen 18 AWG (0,8 mm²) bis 14 AWG (2,1 mm²) entwickelt.

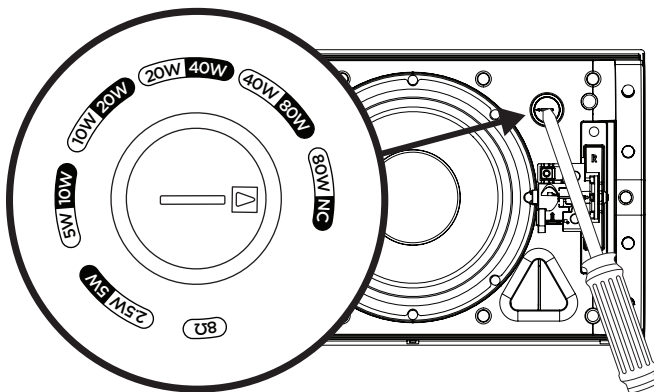
Anschlussdiagramme

Isolieren Sie einen Teil des Drahtes (6 mm) für den Anschluss an die Anschlüsse ab.

Hinweis: Der Lautsprecher ist nicht für die Verwendung mit einem Kabelschutzrohr geeignet. Der Lautsprecher ist für Kabel mit flexiblem Mantel oder Einzeldrähte vorgesehen.



Lautsprechereinstellungen



70 V						8 Ω
2,5 W	5 W	10 W	20 W	40 W	80 W*	
5 W	10 W	20 W	40 W	80 W	KA**	
100 V						

* Werkseinstellung

** KA: Kein Anschluss (nicht verwenden)

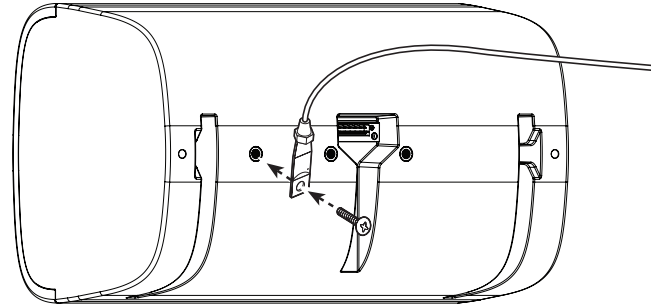
Einstellen des Leistungsabgriffes am Übertrager

Stellen Sie die Leistungsabgabe durch Drehen ein. Verwenden Sie dafür einen Schlitzschraubendreher.

Verwendung eines Sicherungsseils

Einige Bauvorschriften schreiben als Sicherheitsvorkehrung vor, den Lautsprecher an einer tragenden Konstruktion zusätzlich abzusichern. Wählen Sie eine Montageposition und -methode sowie Werkzeuge, die den örtlichen Bauvorschriften entsprechen.

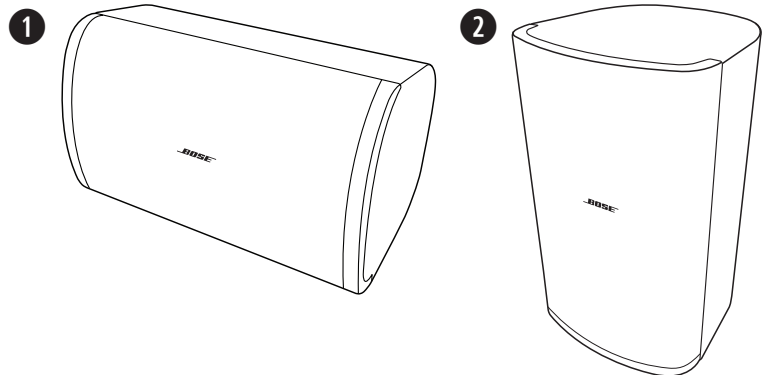
Ein Sicherungsseil kann mithilfe des Einsatzes auf der Gehäuserückseite am Lautsprecher angebracht werden. Die Gewindehülse ist für eine M8-Schraube vorgesehen (nicht im Lieferumfang enthalten).



Ausrichtung des Lautsprechers

Wählen Sie die Ausrichtung des Lautsprechers, die für Ihre Installation am besten geeignet ist.

- ① Horizontal
- ② Vertikal

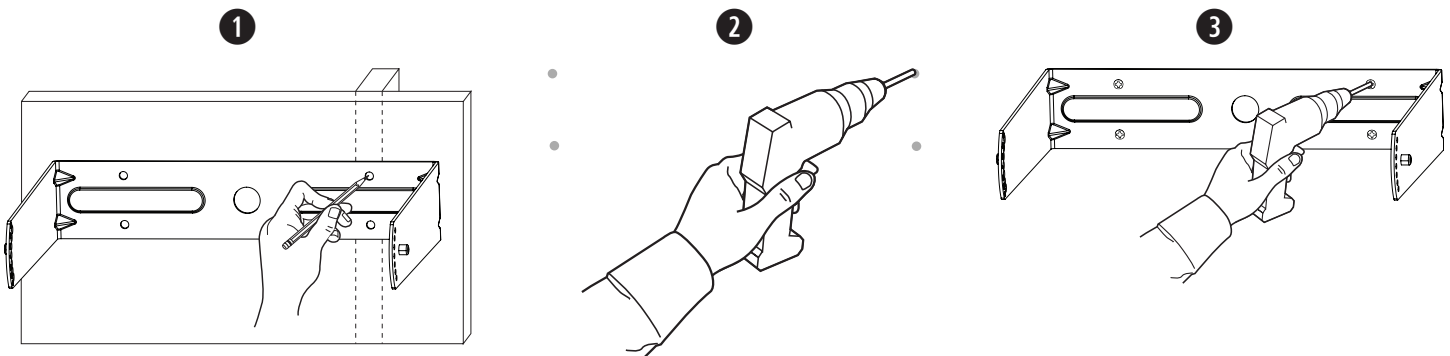


Hinweis: Eine Installation in unmittelbarer Nähe einer Kochstelle, wo der Lautsprecher Speiseöl ausgesetzt ist (wie z. B. in gewerblichen Räumlichkeiten mit Kochstellen), kann die Leistung oder Funktionen des Lautsprechers beeinträchtigen.

Montage der Halterung

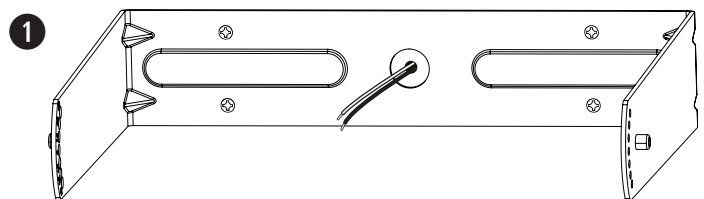
Hinweis: Beachten Sie bei der Auswahl eines Montageorts, dass mindestens zwei der Befestigungspunkte der Montagehalterungen an einer tragenden Konstruktion angebracht sein müssen. Befestigungspunkte, die nicht an einer tragenden Konstruktion angebracht sind, müssen mit für die Montage geeigneten Befestigungselementen angebracht werden.

1. Markieren Sie die Position der Bohrlöcher.
2. Bohren Sie vier Löcher (in der Größe passender Sicherungselemente) in die Wand.
3. Befestigen Sie die Halterung mit vier Schrauben (nicht im Lieferumfang enthalten) an der Wand. **Hinweis:** Verwenden Sie M6-Schrauben.



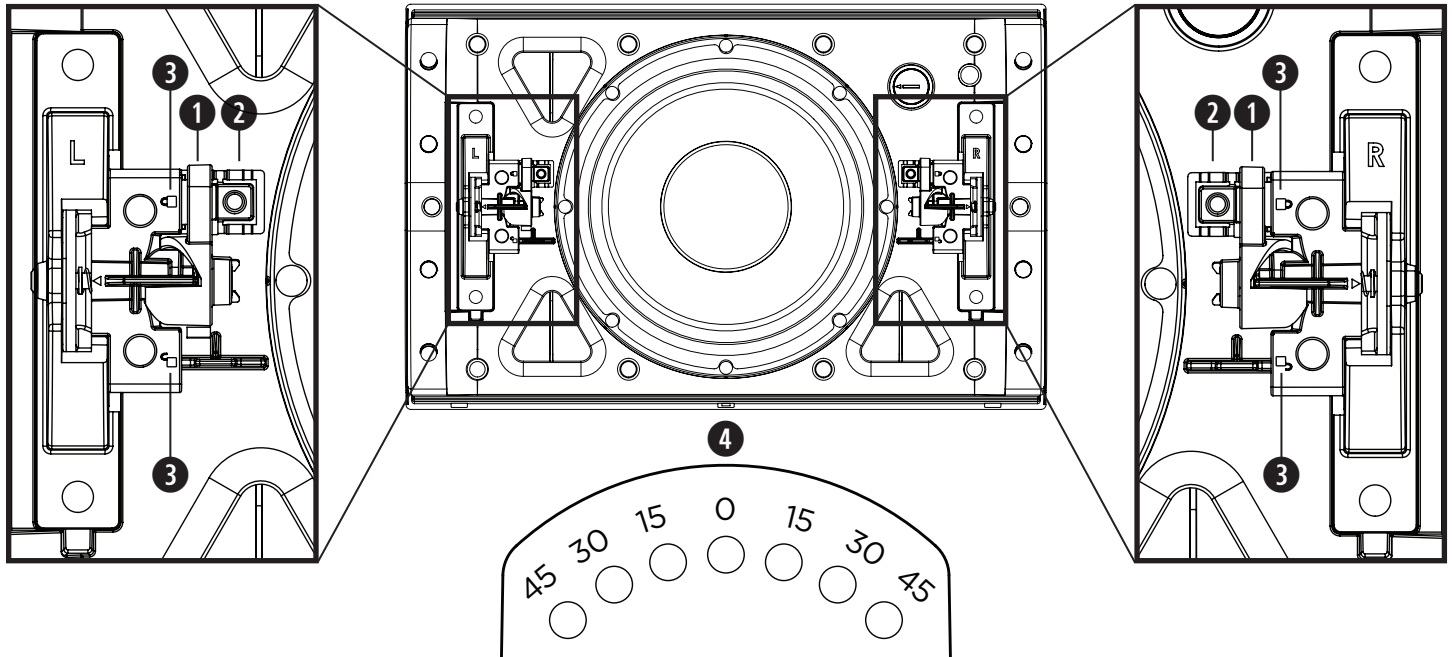
Verkabeln des Anschlusses

1. Führen Sie die Kabel durch das mittige Loch in der Halterung.
2. Entfernen Sie den Anschluss vom Lautsprecher.
3. Verkabeln Sie den Anschluss. Weitere Informationen zur Verkabelung finden Sie unter **Verkabeln des Lautsprechers** auf Seite 22.



Wichtige Montagehinweise

- ❶ **Feststellhebel:** Für eine sichere Befestigung des Lautsprechers an der Halterung. Drücken Sie zum Arretieren die Hebel in Richtung der Feststellstifte. Zum Lösen drücken Sie die Hebel von den Feststellstiften weg.
- ❷ **Feststellstifte:** Zum Entsperren des Hebels die Stifte nach unten drücken.
- ❸ **Feststellanzeigen:** Bestimmen Sie die Feststellrichtung.
- ❹ **Neigungswinkel-Markierungen (an Halterung):** Bestimmen Sie den gewünschten Neigungswinkel.



Installieren des Lautsprechers

Hinweis: Die Feststellhebel des Lautsprechers sind zum Transport durch Klebeband gesichert. Entfernen Sie das Klebeband vor der Installation.

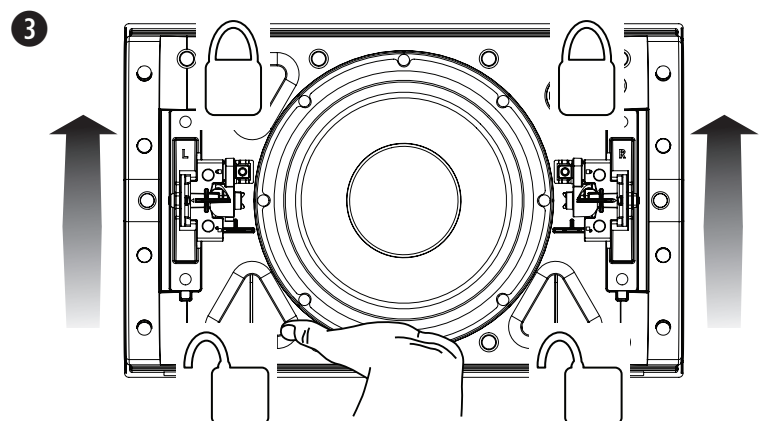
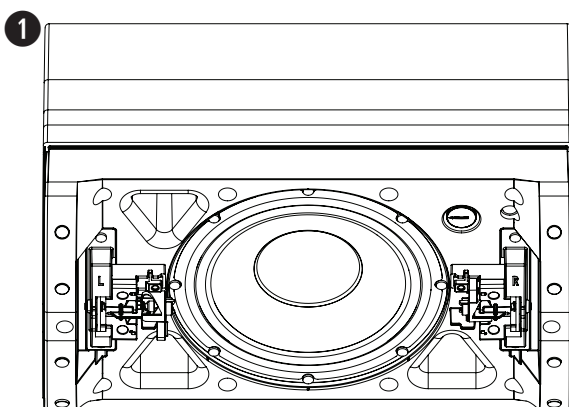
1. Setzen Sie den Lautsprecher in die Halterung ein, neigen Sie ihn in einem Winkel von 45° und stellen Sie die Hebel fest.
2. Befestigen Sie den verkabelten Anschlussstecker am Lautsprecher.
3. Entsperren Sie die Hebel und passen Sie den Neigungswinkel des Lautsprechers wie gewünscht an. Sichern Sie das Gewicht des Lautsprechers, während Sie den Winkel des Lautsprechers anpassen.

Hinweis: Der Neigungswinkel des Lautsprechers kann 0°, 15°, 30° oder 45° betragen.

4. Arretieren Sie die Hebel.



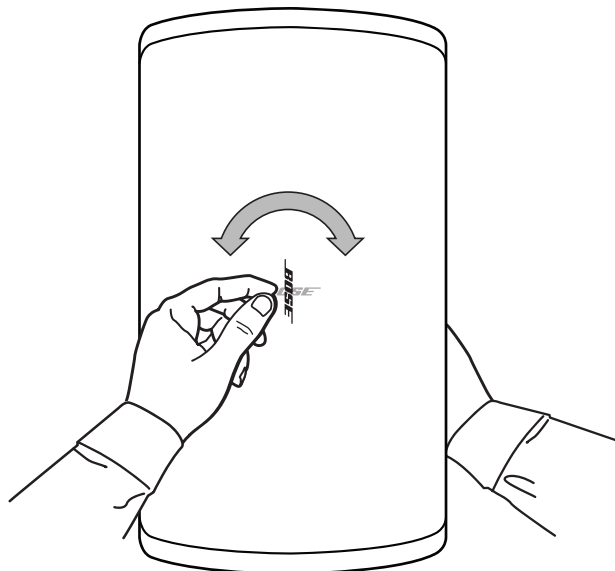
WICHTIGER HINWEIS: Wenn die Hebel nicht ordnungsgemäß arretiert werden, kann dies ein Herunterfallen zur Folge haben. Das Herunterfallen kann zu schweren oder tödlichen Verletzungen und Sachschäden führen. Der Monteur ist dafür verantwortlich, sicherzustellen, dass die Installation der Anleitung entsprechend durchgeführt wird.



Drehen des Logos

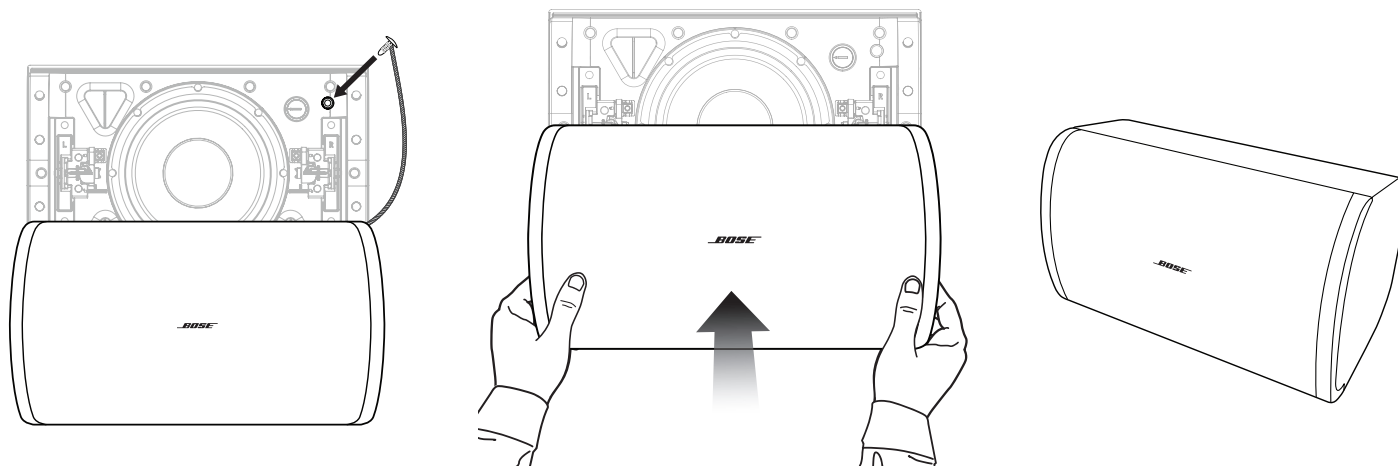
Sie können das Bose Logo an die Ausrichtung des Lautsprechers anpassen. Drücken Sie mit einer Hand die Taste an der Rückseite der Frontabdeckung. Drehen Sie mit der anderen Hand das Logo. Das Logo kann im und gegen den Uhrzeigersinn gedreht werden.

Hinweis: Drücken Sie die Taste nur nach innen, wenn Sie das Logo entfernen wollen.



Anbringen der Frontabdeckung

Führen Sie den Sicherheitssperbolzen mit Sicherungsseil in das Bolzenloch am Lautsprecher. Positionieren Sie die Frontabdeckung mit beiden Händen am Lautsprecher. Die Abdeckung muss flach und ohne Spalt anliegen. Das Abdeckgitter haftet magnetisch am Lautsprecher.



Sicherheitshinweise und gesetzliche Bestimmungen

Der DesignMax DM8S Lautsprecher hat umfassende Testreihen bestanden und entspricht den folgenden Normen und Einsatzanforderungen:

Zertifiziert gemäß ANSI/UL 1480A-2016, Speakers for Commercial & Professional Use

Allgemeine Gebrauchsfähigkeit – UL-Kategorie UEAY, Aktenzeichen S 5591 Kontrollnummer 3N89

Geeignet für die Installation mit Class 1, Class 2 und Class 3 Verkabelungsverfahren gemäß NFPA 70, National Electrical Code, 2017, Article 640

Der DesignMax DM8S Lautsprecher wurde gemäß den Anforderungen der folgenden EU-Norm für kombinierte Systeme entwickelt:

Getestet gemäß IEC60268-5, 2007

Leggere e conservare tutte le istruzioni per la sicurezza e per l'uso.

Questo prodotto deve essere installato esclusivamente da installatori professionisti.

Il presente documento ha lo scopo di fornire agli installatori professionisti le istruzioni di base per l'installazione e la sicurezza di questo prodotto in tipici sistemi da installazione fissa. Prima dell'installazione, leggere questo documento e le avvertenze sulla sicurezza.

Non tentare di riparare il prodotto autonomamente. Per tutti gli interventi di assistenza, rivolgiti ai centri assistenza, agli installatori, ai tecnici, ai rivenditori o ai distributori autorizzati.

Per contattare Bose Professional o per trovare il rivenditore o distributore più vicino, visita **BoseProfessional.com**.

1. Leggere queste istruzioni.
2. Conservare queste istruzioni.
3. Prestare attenzione a tutte le avvertenze.
4. Seguire tutte le istruzioni.
5. Non utilizzare l'apparecchio in prossimità di acqua.
6. Per la pulizia utilizzare un semplice panno asciutto.
7. Non ostruire le aperture di ventilazione. Installare il prodotto in conformità con le istruzioni fornite dal produttore.
8. Non installare in prossimità di fonti di calore, quali termosifoni, radiatori, stufe o altri apparecchi (compresi gli amplificatori) che generino calore.
9. Utilizzare solo sistemi di fissaggio/accessori specificati dal produttore.

Specifiche di prodotto

Tensione d'ingresso: 70 V/100 V

Impedenza: 8 Ω, 125 W

Corrente o potenza: (70 V): 2,5 W, 5 W, 10 W, 20 W, 40 W, 80 W; (100 V): 5 W, 10 W, 20 W, 40 W, 80 W

Informazioni sulle normative



Questo prodotto è conforme a tutti i requisiti pertinenti delle direttive UE.

La dichiarazione di conformità completa è disponibile all'indirizzo:

www.Bose.com/compliance.



Il presente prodotto è conforme a tutte le normative sulla compatibilità elettromagnetica del 2016 e a tutte le altre normative del Regno Unito applicabili.

La dichiarazione di conformità completa è disponibile all'indirizzo:

www.Bose.com/compliance



Questo simbolo indica che il prodotto non deve essere smaltito con i rifiuti domestici, ma deve essere consegnato a una struttura di raccolta appropriata per il riciclaggio. Uno smaltimento e un riciclaggio corretti aiutano a preservare le risorse naturali, la salute e l'ambiente. Per ulteriori informazioni sullo smaltimento e sul riciclaggio di questo prodotto, rivolgersi alle autorità locali, al servizio di smaltimento dei rifiuti o al negozio presso il quale è stato acquistato.

Data di produzione: l'ottava cifra del numero di serie corrisponde all'anno di produzione; ad esempio "7" indica 2007 o 2017.

Importatore per la Cina: Bose Electronics (Shanghai) Company Limited, Part C, Plant 9, No. 353 North Ruying Road, China (Shanghai) Pilot Free Trade Zone

Importatore per l'UE: Bose Products B.V., Gorslaan 60, 1441 RG Purmerend, Paesi Bassi

Importatore per il Messico: Bose de México, S. de R.L. de C.V., Paseo de las Palmas 405-204, Lomas de Chapultepec, 11000 México, D.F. Per informazioni su importatori e servizi: +5255 (5202) 3545

Importatore per Taiwan: Bose Taiwan Branch, 9F-A1, No. 10, Section 3, Minsheng East Road, Taipei City 104, Taiwan. N. telefono: +886-2-2514 7676

Importatore per il Regno Unito: Bose Limited, Bose House, Quayside Chatham Maritime, Chatham, Kent, ME4 4QZ, Regno Unito

Bose è un marchio registrato di Bose Corporation.

DesignMax è un marchio registrato di Transom Post OpCo LLC.

Bose Corporation, Framingham, MA 01701, U.S.A. 1-877-230-5639

©2023 Transom Post OpCo LLC. Nessuna parte di questo documento può essere riprodotta, modificata, distribuita o usata in altro modo senza previa autorizzazione scritta.



AVVISI/AVVERTENZE



Questo prodotto contiene materiale magnetico. Rivolgersi al proprio medico per eventuali domande sui possibili effetti del prodotto sui dispositivi medici impiantati nel corpo umano.

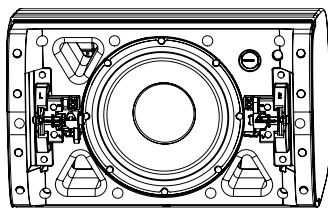
- Tutti i prodotti Bose Professional devono essere installati in conformità con gli standard locali, statali, federali e di settore. È responsabilità dell'installatore assicurare che l'installazione dei diffusori e del sistema di montaggio venga eseguita in conformità con le normative vigenti, compresi i regolamenti edilizi locali. Prima di installare il prodotto, chiedere informazioni all'autorità locale preposta.
- L'installazione o la sospensione non sicura di carichi pesanti può causare gravi lesioni alle persone e danni materiali. È responsabilità dell'installatore valutare l'affidabilità del metodo di installazione utilizzato per l'applicazione specifica. Solo installatori professionisti esperti di tecniche di installazione sicura dell'hardware possono installare un diffusore in posizione sospesa.
- Non posizionare il prodotto in punti dove potrebbe formarsi condensa.
- Il prodotto non deve essere installato né utilizzato in aree di servizio o intrattenimento vicine all'acqua (ad es. piscine coperte, parchi acquatici al chiuso, sale con vasche riscaldate, saune, bagni turchi e piste di pattinaggio al chiuso).
- Non eseguire l'installazione su superfici non sufficientemente robuste o dietro le quali si nascondono elementi potenzialmente pericolosi, quali cavi elettrici o tubazioni idrauliche. In caso di dubbi durante l'installazione della staffa, contattare un installatore professionista. Verificare che la staffa sia installata in accordo ai parametri costruttivi locali.
- Utilizzare solo componenti e accessori forniti o specificati da Bose Professional per l'uso con i diffusori DesignMax DM8S. I componenti per il fissaggio del diffusore alla superficie di montaggio non sono in dotazione. Per informazioni sugli accessori compatibili, consultare la scheda tecnica del prodotto all'indirizzo **BoseProfessional.com**.
- Tenere il prodotto lontano dal fuoco e da fonti di calore. Non collocare sorgenti di fiamme libere (ad esempio, candele accese) sull'apparecchio o in prossimità di esso.
- Non apportare alterazioni non autorizzate al prodotto.
- La staffa per l'installazione a muro del DesignMax DM8S può essere utilizzata solo con il modello DM8S.
- Non utilizzare solventi a base di idrocarburi, lubrificanti o detergenti di qualunque tipo sopra o intorno a questo diffusore e sui relativi componenti di montaggio durante l'installazione. L'esposizione a tali sostanze può danneggiare i materiali plastici e causare spaccature, con conseguenti rischi di caduta.
- Utilizzare esclusivamente un panno asciutto per pulire i diffusori. Non esporre il diffusore a saponi, detergenti, oli minerali o alcol, né ad altri detergenti o prodotti chimici.
- La griglia è dotata di un perno con cordino di sicurezza concepito per un solo uso.

Informazioni sulla garanzia

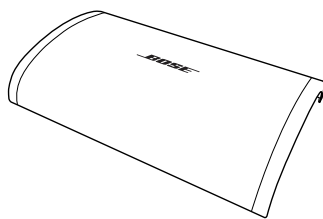
Questo prodotto è coperto da una garanzia limitata.

Per i dettagli sulla garanzia, visitare **BoseProfessional.com/Warranty**.

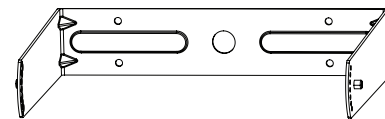
Contenuto della confezione



1 pz.

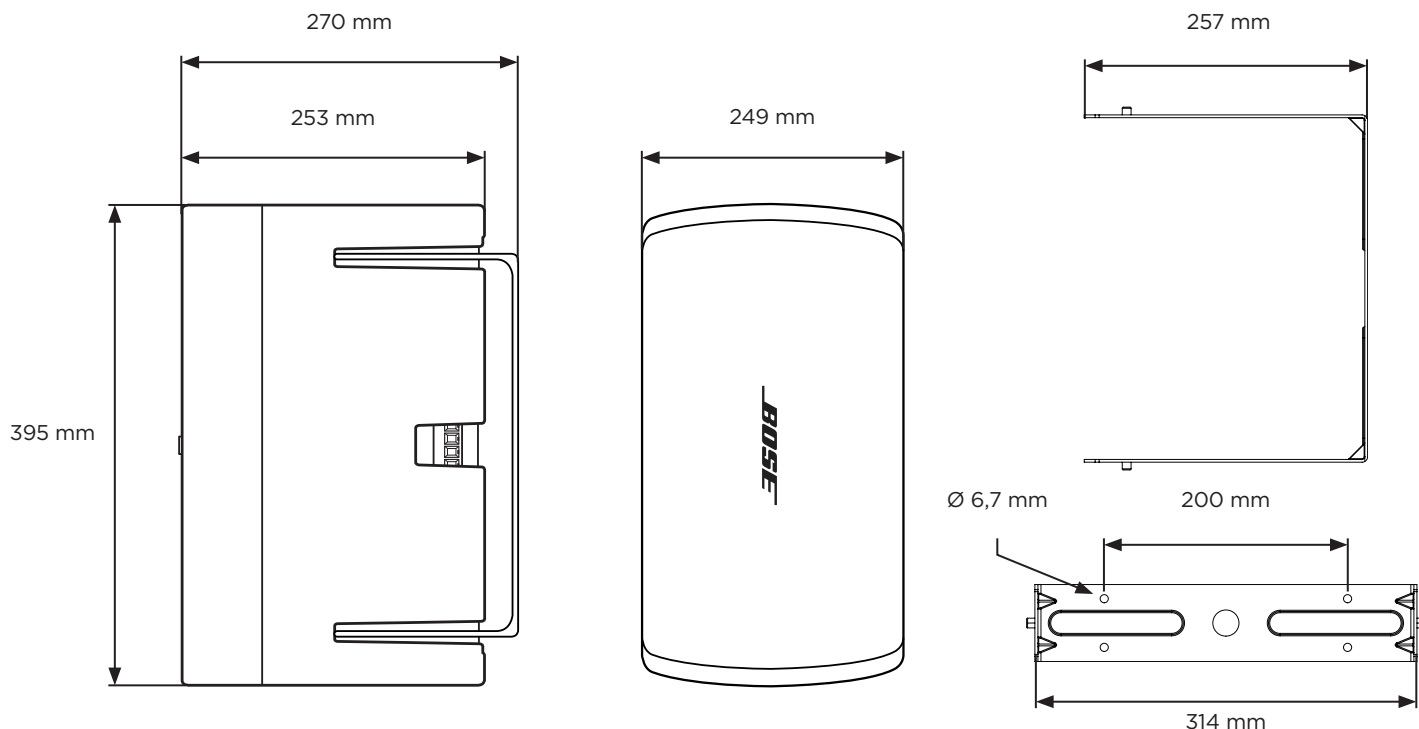


1 pz.



1 pz.

Dimensioni del prodotto



Specifiche tecniche

Per ulteriori specifiche, consultare la scheda tecnica del diffusore DesignMax DM8S all'indirizzo BoseProfessional.com.

Caratteristiche fisiche	
Dimensioni del prodotto	Altezza: 395 mm
	Larghezza: 249 mm
	Profondità: 253 mm
Peso netto del diffusore con griglia	10,34 kg
Peso di spedizione	13,15 kg

Informazioni importanti sull'installazione



È responsabilità dell'installatore assicurare che l'installazione dei diffusori e del sistema di montaggio venga eseguita in conformità con le normative vigenti, compresi i regolamenti edilizi locali. Prima di installare il prodotto, chiedere informazioni all'autorità locale preposta.

È responsabilità dell'installatore garantire un'installazione sicura del diffusore. Un'installazione non corretta del diffusore può causare danni materiali e gravi lesioni alle persone.

Non posizionare il prodotto in punti dove potrebbe formarsi condensa.



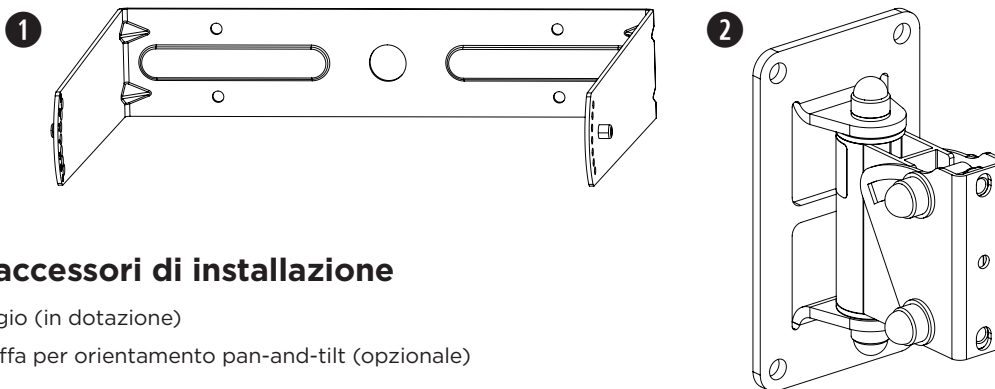
I componenti per il fissaggio del diffusore alla superficie di montaggio non sono in dotazione. Rivolgersi a un muratore professionista per individuare i componenti di fissaggio corretti, prima di installare il diffusore.

Non eseguire l'installazione su superfici non sufficientemente robuste o dietro le quali si nascondono elementi potenzialmente pericolosi, quali cavi elettrici o tubazioni idrauliche. In caso di dubbi durante l'installazione della staffa, contattare un installatore professionista. Verificare che la staffa sia installata in accordo ai parametri costruttivi locali.



Non utilizzare solventi a base di idrocarburi, lubrificanti o detergenti di qualunque tipo sopra o intorno a questo diffusore e sui relativi componenti di montaggio durante l'installazione. L'esposizione a tali sostanze può danneggiare i materiali plastici e causare spaccature, con conseguenti rischi di caduta.

Opzioni di installazione



Opzioni ed accessori di installazione

- ❶ Staffa di fissaggio (in dotazione)
- ❷ RMUBRKT1 Staffa per orientamento pan-and-tilt (opzionale)

Cablaggio del diffusore

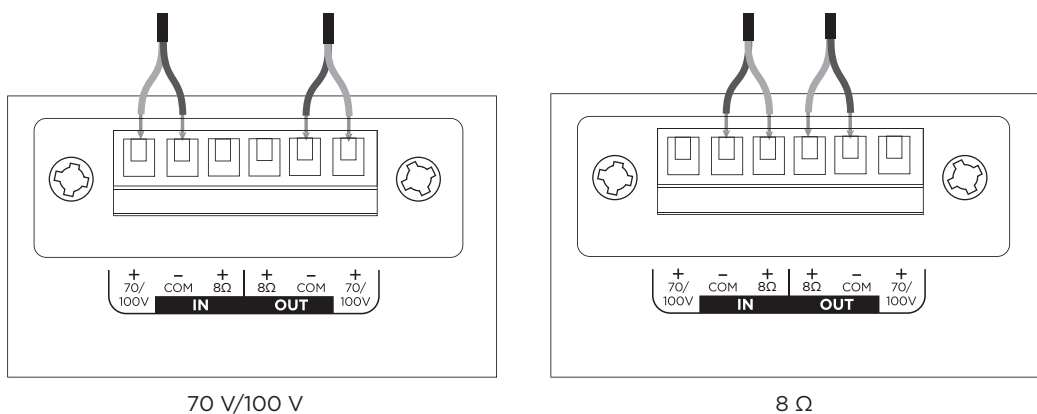
Diametro dei cablaggi

Il diffusore DesignMax DM8S è concepito esclusivamente per l'impiego con cavi di dimensioni comprese tra 18 AWG (0,8 mm²) e 14 AWG (2,1 mm²).

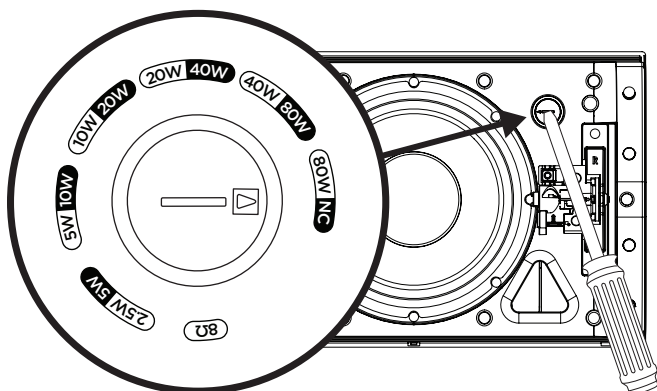
Schemi di collegamento

Scoprire 6 mm di filo non rivestito da collegare ai terminali.

Nota: il diffusore non è certificato per l'utilizzo con un tubo protettivo rigido. Il diffusore può essere utilizzato con connessioni di cablaggio o tubi protettivi flessibili.



Impostazioni del diffusore



70 V						8 Ω
2,5 W	5 W	10 W	20 W	40 W	80 W*	
5 W	10 W	20 W	40 W	80 W	NC**	
100 V						

*Impostazioni di fabbrica **NC: nessuna connessione (non utilizzare)

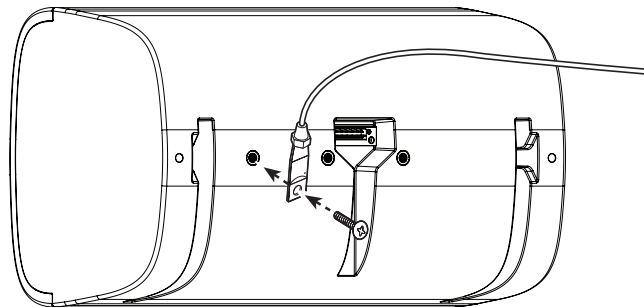
Impostazione potenza del trasformatore

Selezionare la potenza ruotando il potenziometro tramite un cacciavite a testa piatta.

Uso di un cavo di sicurezza

Alcune normative edilizie regionali richiedono l'impiego di un secondo metodo di fissaggio dei diffusori alle strutture di supporto, allo scopo di garantire una maggior sicurezza. Scegliere posizione, metodo e accessori di fissaggio conformi alle normative edilizie locali.

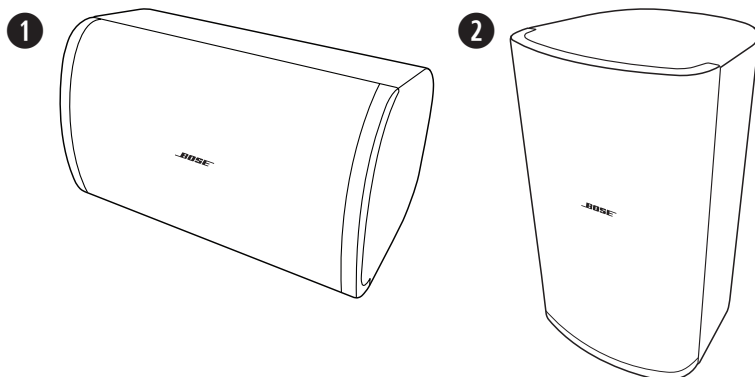
È possibile collegare un cavo di sicurezza al diffusore utilizzando l'inserto filettato sul retro del cabinet. L'inserto è dimensionato per una vite M8 (non inclusa).



Orientamento del diffusore

Scegliere l'orientamento del diffusore più adatto all'impianto.

- ❶ Orizzontale
- ❷ Verticale

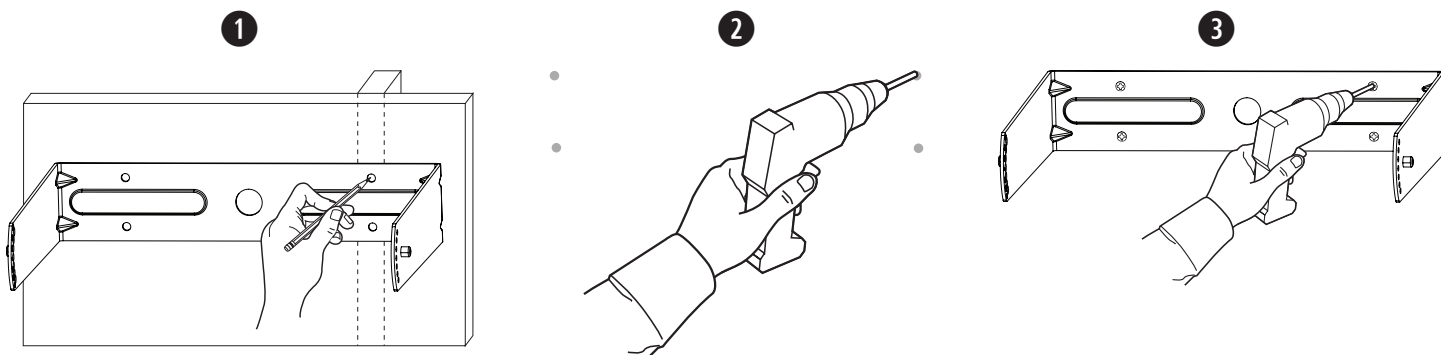


Nota: l'installazione in prossimità di piani di cottura dove il diffusore possa essere direttamente esposto a oli alimentari, come ad esempio in cucine commerciali, può ridurre le prestazioni o la funzionalità del diffusore.

Installazione della staffa

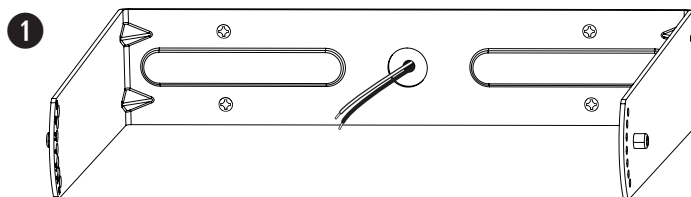
Nota: durante la scelta della posizione di installazione, almeno due punti di aggancio della staffa di montaggio devono essere fissati a una struttura portante. I punti di aggancio non fissati a una struttura portante devono essere fissati utilizzando componenti appropriati per l'installazione.

1. Contrassegnare la posizione dei fori.
2. Praticare quattro fori (dimensionati per i dispositivi di fissaggio appropriati) nella parete.
3. Fissare la staffa alla parete con quattro viti (non in dotazione). **Nota:** utilizzare viti in formato M6 o 6 mm.



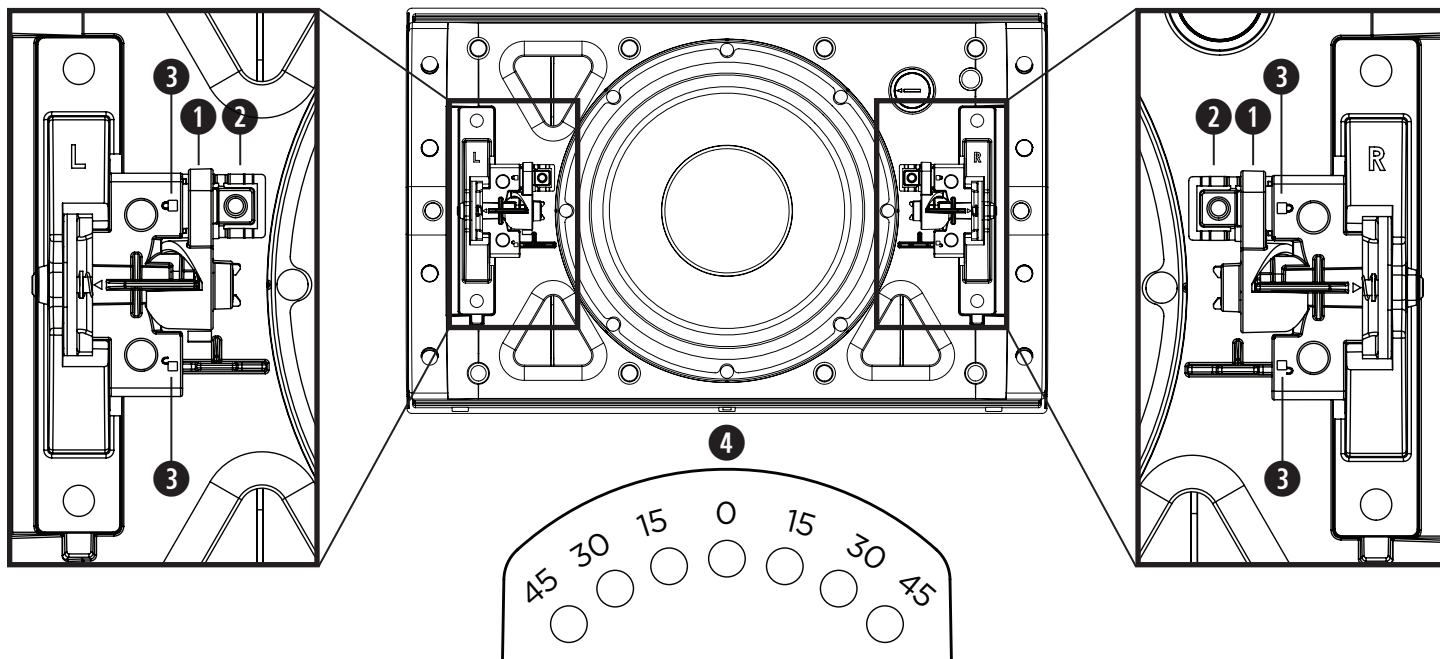
Cablaggio del connettore

1. Far passare i cavi attraverso il foro centrale della staffa.
2. Rimuovere il connettore dal diffusore.
3. Cablare il connettore. Per informazioni sul cablaggio, vedere **Cablaggio del diffusore** a pag. 28.



Informazioni importanti sul montaggio

- ❶ **Leve di bloccaggio:** da usare per fissare il diffusore alla staffa di montaggio. Spingere le leve verso i perni di bloccaggio per bloccarle; allontanarle dai perni di bloccaggio per sbloccarle.
- ❷ **Perni di bloccaggio:** premere i perni per sbloccare le leve.
- ❸ **Indicatori di bloccaggio:** identificano la direzione di bloccaggio.
- ❹ **Etichette angolari (sulla staffa):** identificano la posizione dell'angolo desiderato.



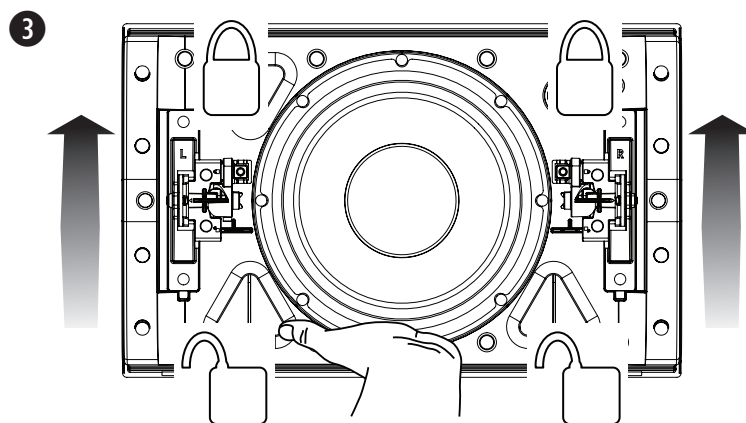
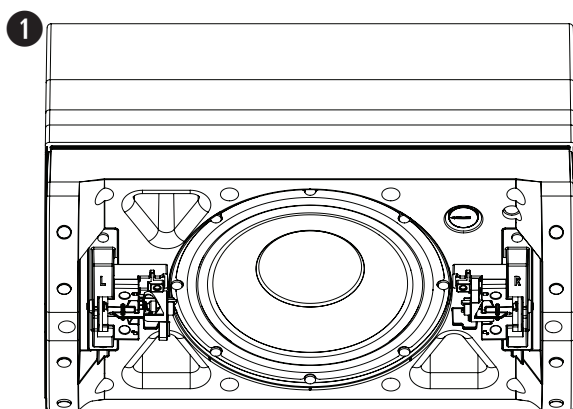
Installazione del diffusore

Nota: il diffusore viene fornito con le leve di bloccaggio abbassate e bloccate con nastro. Rimuovere il nastro prima dell'installazione.

1. Agganciare il diffusore alla staffa, regolarne l'inclinazione a 45° e bloccare le leve in posizione.
 2. Fissare il connettore cablato al diffusore.
 3. Sbloccare le leve e regolare l'inclinazione del diffusore all'angolo desiderato. Il peso del diffusore deve essere sostenuto mentre se ne regola l'inclinazione.
- Nota:** l'inclinazione del diffusore è regolabile a 0°, 15°, 30° o 45°.
4. Bloccare le leve in posizione.



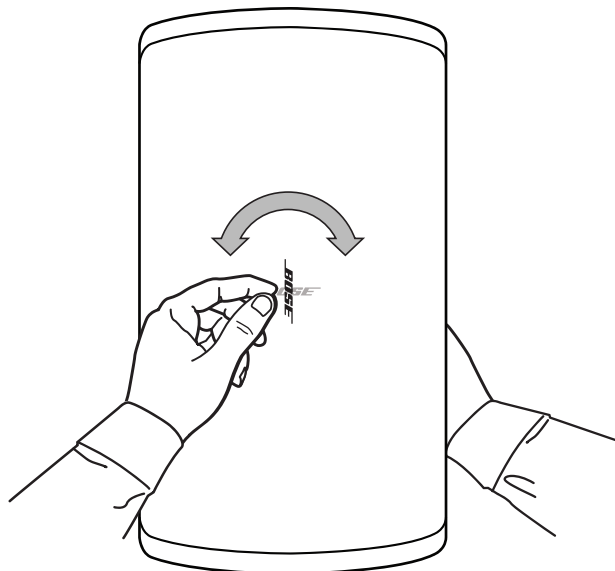
AVVERTENZA: la mancata impostazione delle leve in posizione di blocco come da istruzioni può determinare rischi di caduta, le cui conseguenze possono essere lesioni gravi o fatali alle persone e danni materiali. L'installatore è tenuto a verificare che il sistema di fissaggio sia installato come da istruzioni fornite.



Rotazione del logo

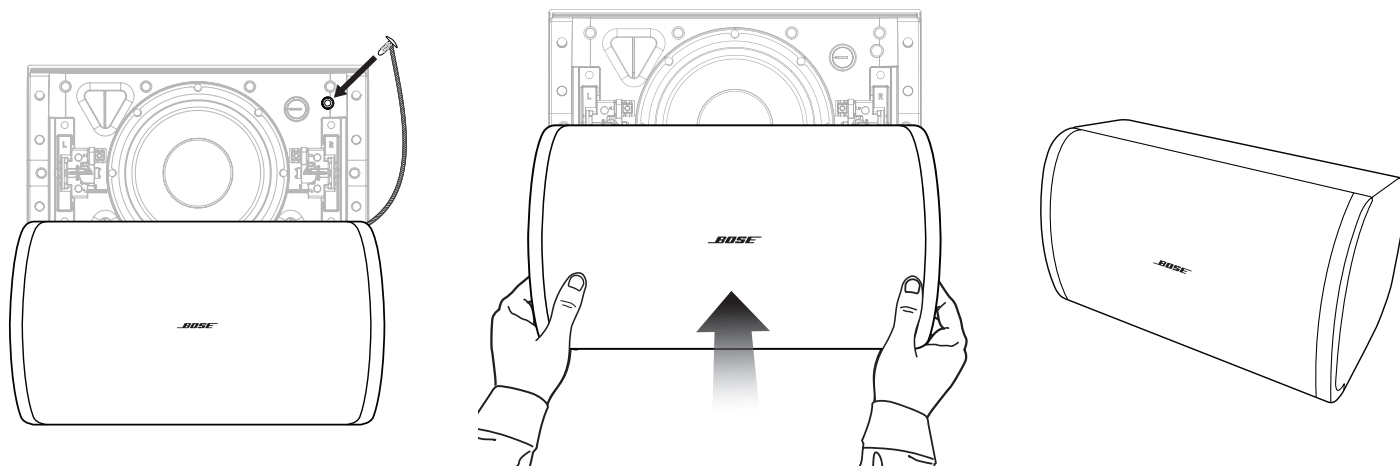
È possibile ruotare il logo Bose per allinearlo in base all'orientamento del diffusore. Premere il pulsante sul retro della griglia con una mano. Ruotare il logo con l'altra mano. Il logo può ruotare in senso orario o antiorario.

Nota: premere il pulsante verso l'interno solo se si desidera rimuovere il logo.



Fissaggio della griglia

Inserire il perno per cordino di sicurezza nell'apposito foro del diffusore. Con entrambe le mani, posizionare la griglia ben a filo contro il diffusore, verificando che non ci siano fessure. La griglia si aggancia magneticamente al diffusore.



Conformità alle norme di sicurezza

Il diffusore DesignMax DM8S ha superato i test ai quali è stato sottoposto, risultando conforme alle specifiche e alle applicazioni indicate di seguito:

Conformi alle specifiche ANSI/UL 1480A-2016, Diffusori per uso professionale e commerciale e di sicurezza

Utilizzo generico - UL Categoria UEAY, Numero file S 5591 Numero controllo 3N89

Adatti per l'installazione mediante metodi di cablaggio Classe 1, Classe 2 o Classe 3 in conformità a NFPA 70, National Electrical Code, 2017, Articolo 640

Il diffusore DesignMax DM8S è stato progettato in conformità ai requisiti previsti dalle seguenti normative europee relative ai sistemi combinati:

Collaudato in conformità a IEC60268-5, 2007

Lees alle veiligheidsinstructies en de gebruiksaanwijzing door en bewaar deze.

Dit product is uitsluitend bestemd voor installatie door professionele installateurs! Dit document is bedoeld om professionele installateurs essentiële installatie- en veiligheidsrichtlijnen te bieden voor dit product in standaardssystemen voor vaste installatie. Lees dit document en alle veiligheidswaarschuwingen voordat u een systeem probeert te installeren.

Probeer dit product niet zelf te repareren. Neem voor alle onderhoud contact op met een geautoriseerd servicecenter, installateur, technicus, dealer of distributeur. Om contact op te nemen met Bose Professional en voor informatie over de dichtstbijzijnde dealer of distributeur, gaat u naar **BoseProfessional.com**.

1. Lees deze instructies door.
2. Bewaar deze instructies.
3. Neem alle waarschuwingen in acht.
4. Volg alle instructies.
5. Gebruik dit product niet in de buurt van water.
6. Alleen met een droge doek reinigen.
7. Zorg dat u de ventilatieopeningen niet blokkeert. Installeer het product volgens de instructies van de fabrikant.
8. Installeer het product niet in de buurt van warmtebronnen, zoals radiatoren, warmteroosters, kachels of andere apparaten (waaronder versterkers) die warmte produceren.
9. Gebruik uitsluitend aansluitonderdelen/accessoires die door de fabrikant worden gespecificeerd.


WAARSCHUWINGEN




Dit product bevat magnetisch materiaal. Raadpleeg uw arts om te vragen of dit invloed kan hebben op uw geïmplanteerde medische hulpmiddel.

- Alle Bose Professional-producten moeten worden geïnstalleerd volgens de plaatselijke en landelijke voorschriften en industriënormen. Het is de verantwoordelijkheid van de installateur om ervoor te zorgen dat de installatie van de luidsprekers en het montagesysteem gebeurt met inachtneming van alle van toepassing zijnde voorschriften, waaronder plaatselijke bouwvoorschriften. Neem contact op met de juiste plaatselijke overheidsinstanties voordat u dit product installeert.
- Het onveilig monteren of ophangen van een zware last kan leiden tot beschadiging van uw eigendommen, ernstig letsel en overlijden. Het is de verantwoordelijkheid van de installateur om de betrouwbaarheid te evalueren van de gebruikte montagemethode. Alleen professionele installateurs met kennis van het juiste gereedschap en veilige montage technieken mogen luidsprekers hoog ophangen.
- Monteer het product niet op locaties waar condensatie kan optreden.
- Dit product is niet bedoeld voor installatie of gebruik in overdekte ruimten voor wateractiviteiten (waaronder overdekte zwembaden, overdekte waterparken, stoomruimten, sauna's, bubbelbadkamers en overdekte ijsbanen).
- Niet bevestigen aan oppervlakken die niet sterk zijn of die mogelijke risico's opleveren, bijvoorbeeld vanwege elektrische bedrading of waterleidingen. Als u niet zeker weet hoe de beugel moet worden bevestigd, raadpleegt u een bevoegde installateur. Zorg ervoor dat de beugel wordt bevestigd volgens de plaatselijke bouwvoorschriften.
- Gebruik alleen de hardware en accessoires die zijn meegeleverd of gespecificeerd door Bose Professional voor gebruik met de DesignMax DM8S luidsprekers. De hardware voor bevestiging van de luidspreker aan het bevestigingsoppervlak wordt niet meegeleverd. Raadpleeg voor informatie over compatibele accessoires het datasheet met technische gegevens op **BoseProfessional.com**.
- Houd het product uit de buurt van vuur en warmtebronnen. Plaats geen open vlam, zoals een brandende kaars, op of bij het product.
- Er mogen geen wijzigingen aan dit product worden aangebracht door onbevoegden.
- De DesignMax DM8S-bevestigingsbeugel voor de wand is uitsluitend bestemd voor gebruik met de DM8S.
- Gebruik bij de installatie geen oplosmiddelen, smeermiddelen of reinigingsmiddelen op koolwaterstofbasis op of rond de luidspreker en bijbehorende montage materialen. Blootstelling aan dergelijke stoffen kan nadelige gevolgen hebben voor het kunststof materiaal, wat kan leiden tot scheuren en een risico op vallen.
- Reinig de luidsprekers alleen met een droge doek. Stel de luidspreker niet bloot aan zeep, reinigingsmiddel, minerale olie, alcohol of andere reinigingsmiddelen of chemicaliën.
- De grille is voorzien van een veiligheidspin voor eenmalig gebruik.

Productvermogen:

Ingangsspanning: 70 V/100 V

Impedantie: 8 Ω, 125 W

Stroomsterkte: (70 V): 2,5 W, 5 W, 10 W, 20 W, 40 W, 80 W; (100 V): 5 W, 10 W, 20 W, 40 W, 80 W

Wettelijk verplichte informatie

Dit product voldoet aan alle vereisten van de van toepassing zijnde EU-richtlijnen. De volledige conformiteitsverklaring kunt u vinden op: **www.Bose.com/compliance**.



Dit product voldoet aan alle toepasselijke voorschriften in de Electromagnetic Compatibility Regulations 2016 en aan alle overige toepasselijke wet- en regelgeving van het Verenigd Koninkrijk. De volledige conformiteitsverklaring kunt u vinden op: **www.Bose.com/compliance**



Dit symbool betekent dat het product niet mag worden weggegooid als huishoudelijk afval en naar een geschikt inzamelpunt voor recycling moet worden gebracht. Het op de juiste wijze afvoeren en recyclen helpt natuurlijke hulpbronnen, de menselijke gezondheid en het milieu te beschermen. Voor meer informatie over het afvoeren en recyclen van dit product neemt u contact op met de gemeente waar u woont, de afvalverwerkingsdienst of de winkel waar u dit product hebt gekocht.

Fabricagedatum: Het achtste cijfer in het serienummer geeft het fabricagejaar aan. '7' is 2007 of 2017.

Importeur in China: Bose Electronics (Shanghai) Company Limited, Part C, Plan 9, No. 353 North Riyang Road, China (Shanghai) Pilot Free Trade Zone

Importeur in de EU: Bose Products B.V., Gorslaan 60, 1441 RG Purmerend, Nederland

Importeur in Mexico: Bose de México, S. de R.L. de C.V., Paseo de las Palmas 405-204, Lomas de Chapultepec, 11000 México, D.F. Gegevens importeur en service-informatie: +52 55 52 02 35 45

Importeur in Taiwan: Bose Taiwan Branch, 9F-A1, No.10, Section 3, Minsheng East Road, Taipei City 104, Taiwan. Telefoonnummer: +886 2 25 14 76 76

Importeur in het VK: Bose Limited, Bose House, Quayside Chatham Maritime, Chatham, Kent, ME4 4QZ, United Kingdom

Bose is een handelsmerk van Bose Corporation.

DesignMax is een handelsmerk van Transom Post OpCo LLC.

Bose Corporation, Framingham, MA 01701, U.S.A. 1-877-230-5639

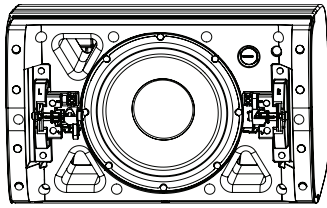
©2023 Transom Post OpCo LLC. Niets in deze uitgave mag worden gereproduceerd, gewijzigd, gedistribueerd of op andere wijze worden gebruikt zonder voorafgaande schriftelijke toestemming.

Garantie-informatie

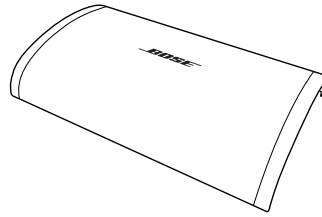
Dit product wordt gedekt door een beperkte garantie.

Ga naar **BoseProfessional.com/Warranty** voor garantie-informatie.

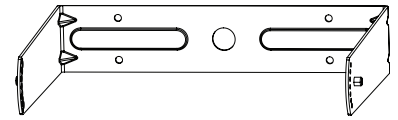
Inhoud van de doos



× 1

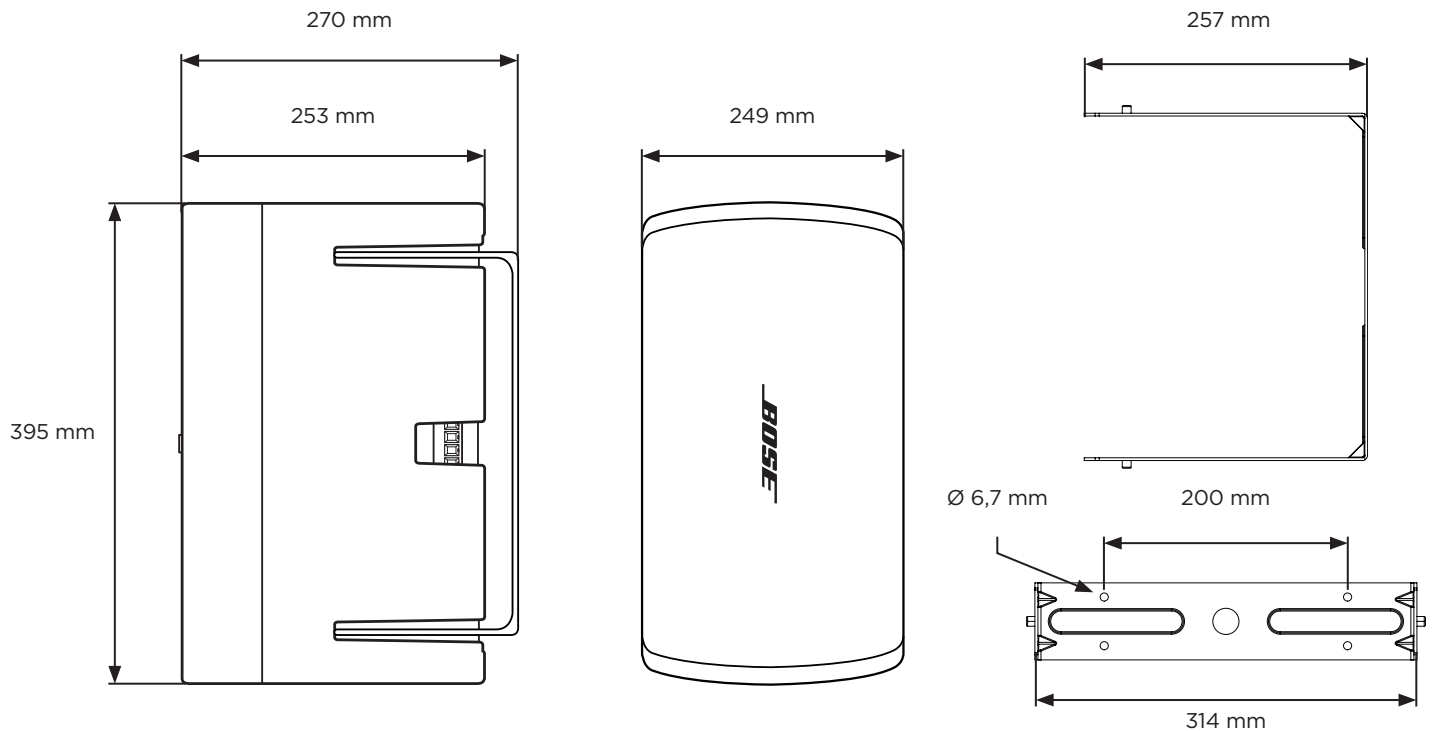


× 1



× 1

Afmetingen van het product



Technische specificaties

Raadpleeg voor aanvullende specificaties het datasheet met technische gegevens voor de DesignMax DM8S op BoseProfessional.com.

Fysiek	
Afmetingen van het product	Hoogte: 395 mm
	Breedte: 249 mm
	Diepte: 253 mm
Nettogewicht, luidspreker met grille	10,34 kg
Verzendgewicht	13,15 kg

Belangrijke installatie-informatie



Het is de verantwoordelijkheid van de installateur om ervoor te zorgen dat de installatie van de luidsprekers en het montagesysteem gebeurt met inachtneming van alle van toepassing zijnde voorschriften, waaronder plaatselijke bouwvoorschriften. Neem contact op met de juiste plaatselijke overheidsinstanties voordat u dit product installeert.

Het is de verantwoordelijkheid van de installateur om de luidspreker veilig te installeren. Onjuiste installatie van de luidspreker kan leiden tot schade, letsel of een dodelijk ongeval.

Monteer het product niet op locaties waar condensatie kan optreden.



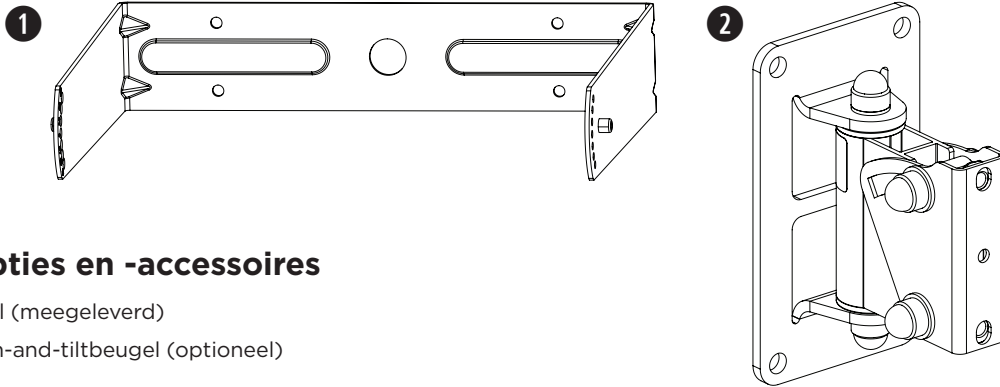
De hardware voor bevestiging van de luidspreker aan het bevestigingsoppervlak wordt niet meegeleverd. Raadpleeg een professional inzake het gebruik van de juiste montage materialen voordat u de luidspreker installeert.

Niet bevestigen aan oppervlakken die niet sterk zijn of die mogelijke risico's opleveren, bijvoorbeeld vanwege elektrische bedrading of waterleidingen. Als u niet zeker weet hoe de beugel moet worden bevestigd, raadpleegt u een bevoegde installateur. Zorg ervoor dat de beugel wordt bevestigd volgens de plaatselijke bouwvoorschriften.



Gebruik bij de installatie geen oplosmiddelen, smeermiddelen of reinigingsmiddelen op koolwaterstofbasis op of rond de luidspreker en bijbehorende montage materialen. Blootstelling aan dergelijke stoffen kan nadelige gevolgen hebben voor het kunststof materiaal, wat kan leiden tot scheuren en een risico op vallen.

Installatieopties



Installatieopties en -accessoires

- 1 Montagebeugel (meegeleverd)
- 2 RMUBRKT1 Pan-and-tiltbeugel (optioneel)

De luidspreker bekabelen

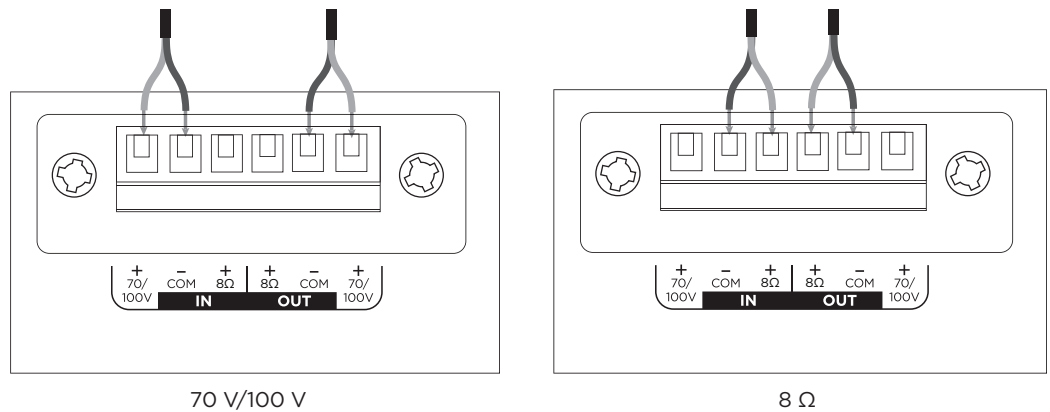
Bekabelingsdiameter

De DesignMax DM8S luidspreker is uitsluitend ontworpen voor bedrading van 18 AWG (0,8 mm²) tot 14 AWG (2,1 mm²).

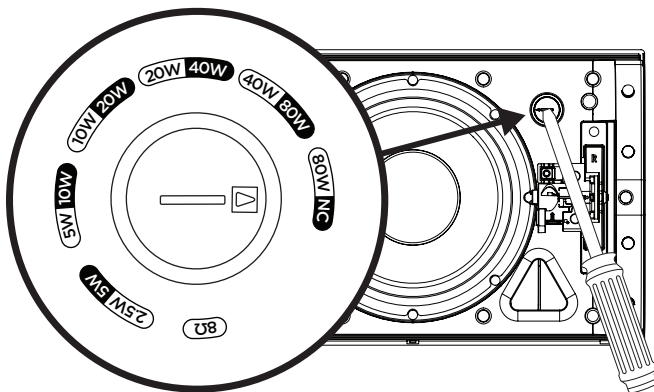
Aansluitdiagrammen

Strip zes millimeter van de kabelisolatie voor bevestiging van de kale kabel aan de aansluitingen.

Opmerking: De luidspreker is niet getest voor gebruik met een rigide geleider. De luidspreker is alleen geschikt voor gebruik met een flexibele geleider of een kabel.



Luidsprekerinstellingen



70 V						8 Ω
2,5 W	5 W	10 W	20 W	40 W	80 W*	
5 W	10 W	20 W	40 W	80 W	NC**	
100 V						

* Fabrieksinstelling

** NC: No Connection (geen aansluiting; niet gebruiken)

Transformatorinstelling

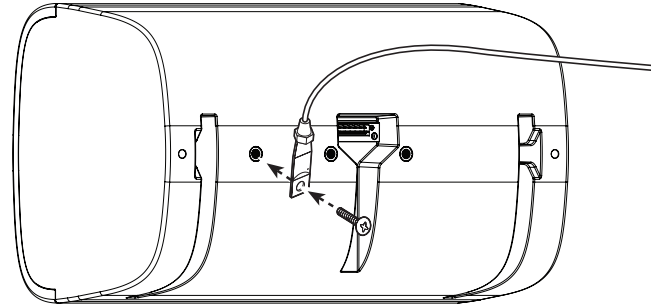
Draai om de transformator in te stellen. Gebruik schroevendraaier met platte kop.

Een veiligheidskabel gebruiken

In sommige regio's bent u volgens de bouwvoorschriften verplicht luidsprekers dubbel gezekeerd te bevestigen voor extra veiligheid. De gekozen locatie, montagewijze en gebruikte montagemiddelen moeten voldoen aan de geldende bouwvoorschriften en -verordeningen.

Er kan een veiligheidskabel aan de luidspreker worden bevestigd met behulp van de schroefdraad op de achterkant van de behuizing.

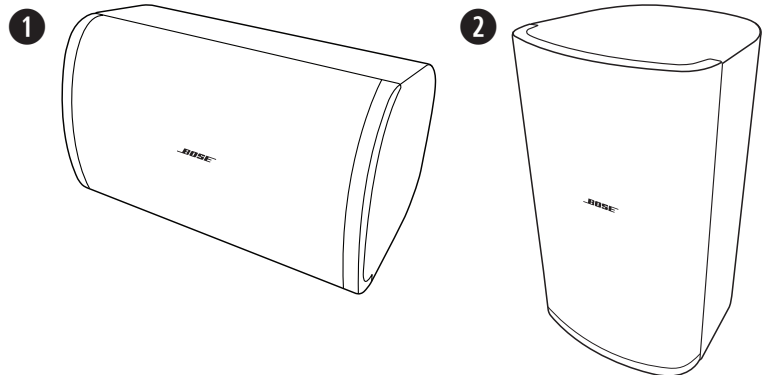
De opening is geschikt voor een M8-schroef (niet meegeleverd).



Luidsprekeroriëntatie

Kies de luidsprekeroriëntatie die het meest geschikt is voor uw installatie.

- ❶ Horizontaal
- ❷ Verticaal

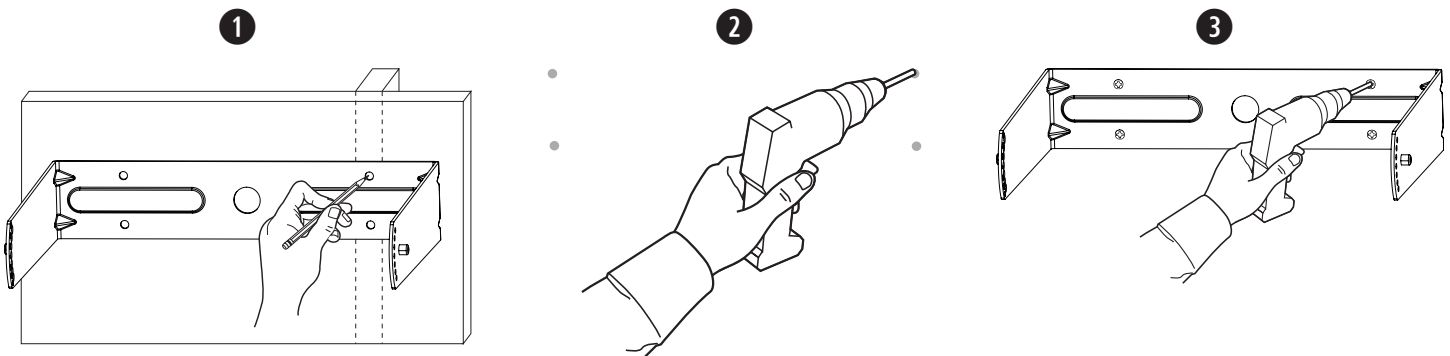


Opmerking: Installatie in de nabijheid van kookoppervlakken waar de luidspreker direct kan worden blootgesteld aan bakolie (zoals in professionele keukens) kan de prestaties of betrouwbaarheid van de luidspreker verminderen.

De beugel bevestigen

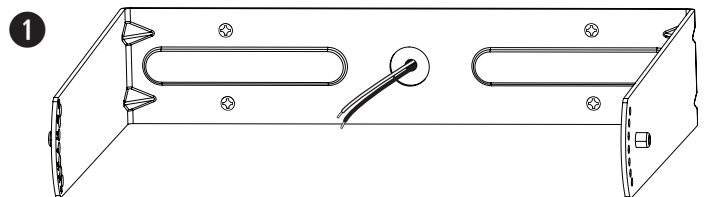
Opmerking: Ten minste twee van de bevestigingspunten van de muurbeugel moeten aan een dragende structuur worden bevestigd. Bevestigingspunten die niet aan een dragende structuur worden bevestigd, moet de juiste bevestigingshardware worden gebruikt.

1. Teken de boorgaten af.
2. Boor vier gaten (voor de juiste schroefdiameter) in de muur.
3. Bevestig de beugel aan de muur met vier schroeven (niet meegeleverd). **Opmerking:** Gebruik M6-schroeven of schroeven van ¼".



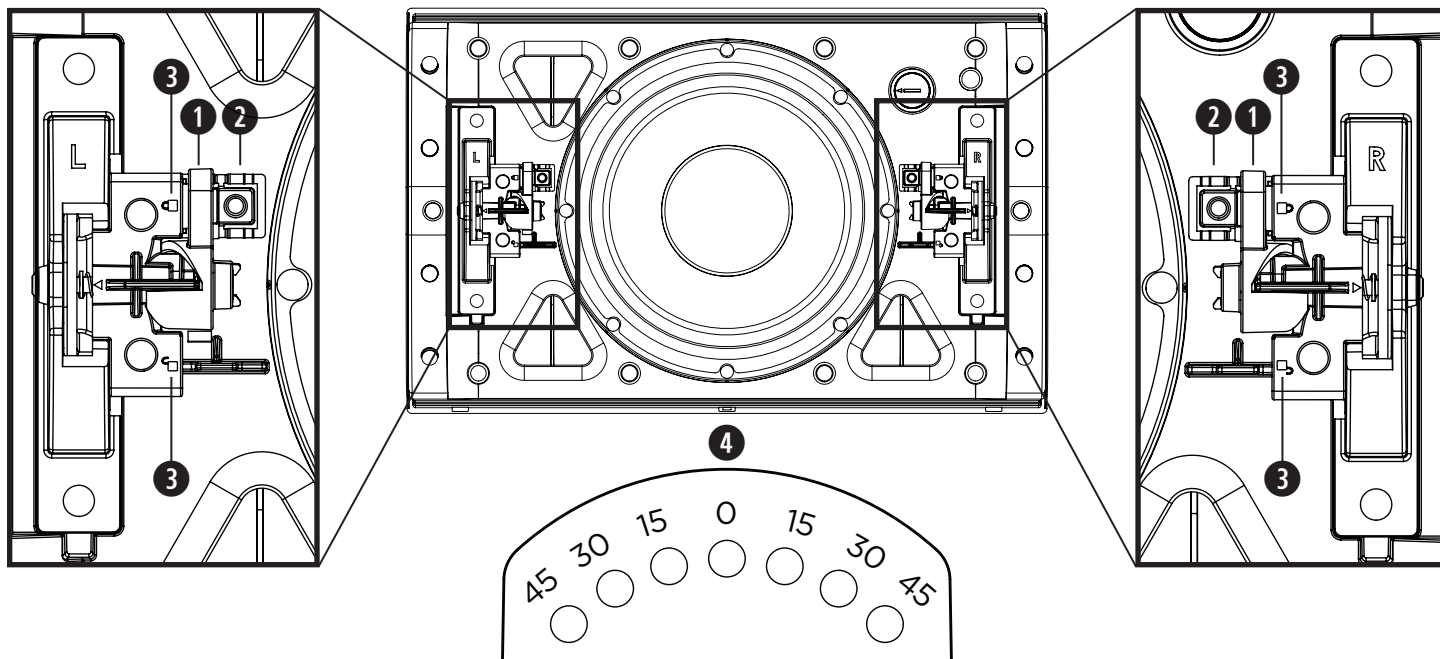
De connector bekabelen

1. Haal de kabels door de middelste opening van de beugel.
2. Verwijder de connector uit de luidspreker.
3. Bekabel de connector. Raadpleeg voor bekabelingsinformatie **De luidspreker bekabelen** op pagina 34.



Belangrijke montage-informatie

- ❶ **Vergrendelingshendels:** Worden gebruikt om de luidspreker aan de beugel te bevestigen. Duw de hendels richting de vergrendelingspinnen om te vergrendelen; duw de hendels van de vergrendelingspinnen vandaan om te ontgrendelen.
- ❷ **Vergrendelingspinnen:** Druk de pinnen omlaag om de hendels te ontgrendelen.
- ❸ **Vergrendelingsaanduiding:** Geeft de vergrendelingsrichting aan.
- ❹ **Hoekaanduiding (op beugel):** Geeft de gewenste hoek aan.



De luidspreker installeren

Opmerking: De luidspreker wordt geleverd met vastgetapete vergrendelingshendels. Verwijder de tape voor de installatie.

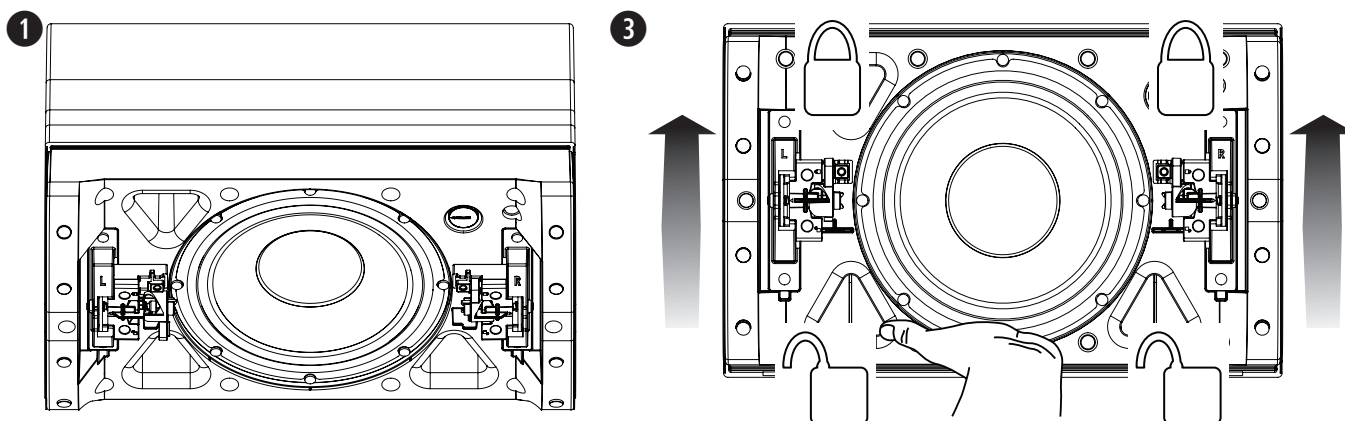
1. Bevestig de luidspreker aan de beugel, stel de luidspreker in op een hoek van 45° en vergrendel de hendels.
2. Bevestig de bekabelde connector aan de luidspreker.
3. Ontgrendel de hendels en stel de gewenste hoek van de luidspreker in. Zorg dat de luidspreker wordt ondersteund terwijl u de luidsprekerhoek instelt.

Opmerking: De hoek van de luidspreker kan worden ingesteld op 0°, 15°, 30° of 45°.

4. Vergrendel de hendels.



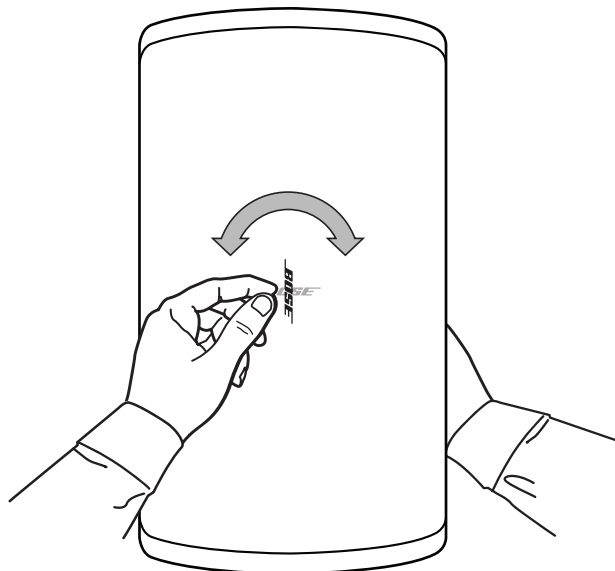
WAARSCHUWING: Wanneer de hendels niet volgens de instructies in de vergrendelingspositie worden vastgekliekt, kan er een risico op vallen ontstaan met mogelijk ernstige verwondingen of de dood tot gevolg. Het is de verantwoordelijkheid van de installateur ervoor te zorgen dat het bevestigingssysteem wordt geïnstalleerd volgens de instructies.



Het logo draaien

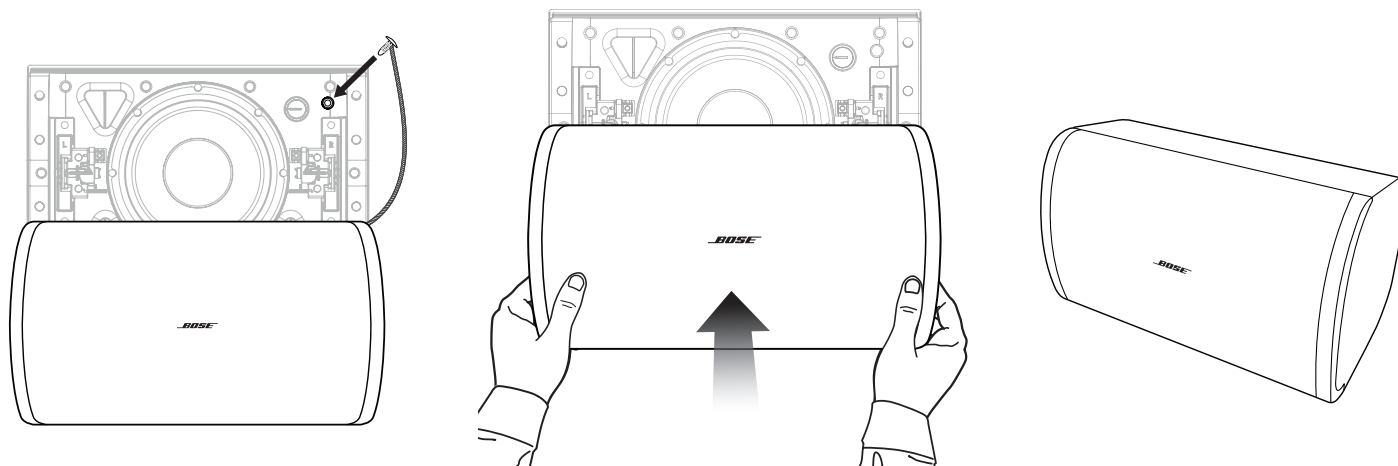
Het Bose-logo kan worden gedraaid afhankelijk van de luidsprekeroriëntatie. Druk met één hand op de knop op de achterkant van de grille. Draai het logo met de andere hand. Het logo kan links- of rechtsom worden gedraaid.

Opmerking: Knijp de knop niet in tenzij u het logo wilt verwijderen.



De grille plaatsen

Steek de veiligheidspin in het bijbehorende gat in de luidspreker. Duw de grille met beide handen tegen de luidspreker en zorg ervoor dat de grille vlak op de luidspreker zit en dat er geen openingen zijn. De grille wordt magnetisch aan de luidspreker bevestigd.



Veiligheid en naleving van regelgeving

De DesignMax DM8S luidspreker is getest en voldoet voor onderstaande specificaties en toepassingen:

ANSI/UL 1480A-2016, Speakers for Commercial & Safety Professional Use

General-Purpose Use - UL Category UEAY, File Number S 5591 Control Number 3N89

Geschikt voor installatie middels bekabelingsmethoden Klasse 1, Klasse 2 en Klasse 3 volgens NFPA 70, National Electrical Code, 2017, artikel 640

De DesignMax DM8S luidspreker is ontworpen volgens de vereisten die zijn vastgelegd in onderstaande specificatie van Europese regelgeving voor combinatiesystemen:

Getest volgens IEC60268-5, 2007

Les og ta vare på alle sikkerhets- og bruksinstruksjoner.

Dette produktet skal bare monteres av profesjonelle montører! Formålet med dette dokumentet er å gi profesjonelle montører grunnleggende monterings- og sikkerhetsveiledning for dette produktet i typiske fastmonteringsystemer. Les dette dokumentet og alle sikkerhetsadvarsler før du starter monteringen.

Ikke prøv å utføre vedlikehold på dette produktet selv. Henvis alt vedlikehold til autoriserte servicesentre, montører, teknikere, forhandlere eller distributører. Hvis du vil kontakte Bose Professional eller finne en forhandler eller distributør i nærheten, går du til

BoseProfessional.com.

1. Les disse instruksjonene.
2. Ta vare på disse instruksjonene.
3. Ta hensyn til alle advarsler.
4. Følg alle instruksjoner.
5. Ikke bruk dette apparatet i nærheten av vann.
6. Rengjør bare med en ren klut.
7. Ikke blokker ventilasjonsåpninger. Plasser i henhold til produsentens instruksjoner.
8. Ikke plasser produktet nær varmekilder som radiatorer, ventilasjonsgitter, ovner eller andre apparater (inkludert forsterkere) som produserer varme.
9. Bare bruk fester/tilbehør som er angitt av produsenten.

Produktklassifisering:

Inngangsspenning: 70/100 V

Impedans: 8 Ω, 125 W

Strøm eller effekt: (70 V): 2,5 W, 5 W, 10 W, 20 W, 40 W, 80 W, (100 V): 5 W, 10 W, 20 W, 40 W, 80 W

Informasjon om forskrifter



Produktet overholder alle kravene i gjeldende EU-direktiver. Du finner den fullstendige samsvarserklæringen på: www.Bose.com/compliance.



Dette produktet er i samsvar med alle gjeldende bestemmelser om elektromagnetisk kompatibilitet for 2016 og alle andre gjeldende bestemmelser i Storbritannia. Den fullstendige samsvarserklæringen finner du på www.Bose.com/compliance



Dette symbolet betyr at produktet ikke må kasseres som husholdningsavfall, og at det skal leveres til en passende innsamlingsanlegg for gjenvinning. Riktig håndtering og gjenvinning bidrar til å beskytte naturressurser, helse og miljø. Hvis du vil ha mer informasjon om avfallshåndtering og resirkulering av dette produktet, kontakter du de lokale myndighetene, avfallsorganisasjonen eller butikken hvor du kjøpte dette produktet.

Produksjonsdato: Det åttende tallet i serienummeret viser produksjonsåret: 7 er 2007 eller 2017.

Importør i Kina: Bose Electronics (Shanghai) Company Limited, Part C, Plant 9, No. 353 North Riying Road, Kina (Shanghai) pilotfri handelssone

Importør i EU: Bose Products B.V., Gorslaan 60, 1441 RG Purmerend, Nederland

Importør i Mexico: Bose de México, S. de R.L. de C.V., Paseo de las Palmas 405-204, Lomas de Chapultepec, 11000 México, D.F. For informasjon om importør og service: +5255 (5202) 3545

Importør i Taiwan: Bose Taiwan Branch, 9F-A1, No. 10, Section 3, Minsheng East Road, Taipei City 104, Taiwan. Telefonnummer: +886-2-2514 7676

Importør for Storbritannia: Bose Limited, Bose House, Quayside Chatham Maritime, Chatham, Kent, ME4 4QZ, Storbritannia

Bose er et varemerke for Bose Corporation.

DesignMax er et varemerke for Transom Post OpCo LLC.

Bose Corporation, Framingham, MA 01701, U.S.A. 1-877-230-5639

©2023 Transom Post OpCo LLC. Ingen del av dette arbeidet kan bli reproduisert, endret, distribuert eller på annen måte brukt uten skriftlig tillatelse på forhånd.

Garantiinformasjon

Dette produktet er dekket av en begrenset garanti.

Hvis du vil ha informasjon om garanti, går du til BoseProfessional.com/Warranty.



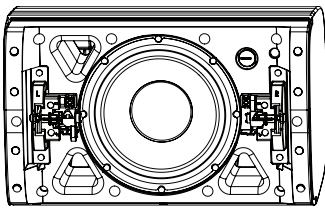
ADVARSLER/FORHOLDSREGLER



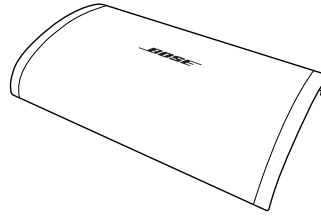
Dette produktet inneholder magnetisk materiale. Kontakt lege hvis du vil finne ut om dette kan påvirke implantert medisinsk utstyr.

- Alle Bose Professional-produkter må monteres i henhold til bransjeforskrifter og lokale og nasjonale forskrifter. Det er montørens ansvar å sikre at monteringen av høyttalerne og monteringsystemet utføres i henhold til alle gjeldende forskrifter, inkludert lokale byggeforskrifter og bestemmelser. Kontakt de lokale myndighetene som har domsmyndighet før du monterer dette produktet.
- Utrygg montering eller opphenging av tunge gjenstander kan forårsake alvorlig skade eller død, samt skade på eiendom. Det er montørens ansvar å vurdere påliteligheten til alle monteringsmetodene de bruker. Takmonterte høyttalere skal bare monteres av profesjonelle montører med kunnskap om det riktige utstyret og trygge monterings teknikker.
- Produktet må ikke monteres på steder hvor det kan oppstå kondens.
- Dette produktet er ikke ment for montering eller bruk i innendørs vannanlegg (inkludert, men ikke begrenset til, innendørs basseng, innendørs badeland, rom med badestamp, badstuer, damprom og innendørs skøytebaner).
- Må ikke monteres på overflater som ikke er solide, eller som har skjulte faremomenter bak seg, for eksempel elektriske kabler eller rør. Kontakt en kvalifisert montør hvis du er usikker på hvordan braketten skal monteres. Sørg for at braketten er montert i henhold til lokale byggeforskrifter.
- Bruk bare utstyret og tilbehøret som følger med, eller som er spesifisert av Bose Professional for bruk med DesignMax DM8S-høyttalere. Jernvare for å feste høyttaleren til overflaten er ikke inkludert. Hvis du vil ha informasjon om kompatibelt tilbehør, kan du se produktets tekniske dataark på BoseProfessional.com.
- Hold produktet unna ild og andre varmekilder. Ikke plasser kilder til bar ild, for eksempel tente stearinlys, på eller nær produktet.
- Ikke foreta uautoriserte endringer på dette produktet.
- DesignMax DM8S-veggmonteringsbraketten kan kun brukes med DM8S-modellen.
- Ikke bruk hydrokarbonbaserte oppløsningsmidler, smøremidler eller rengjøringsmidler på eller rundt denne høyttaleren og tilhørende monteringsutstyr under montering. Slike midler kan forårsake at plastmaterialet brytes ned, som igjen kan forårsake sprekker og at høyttaleren faller ned.
- Bruk bare en tørr klut når du skal rengjøre høyttalerne. Ikke bruk såpe, vaskemiddel, mineralolje, alkohol eller andre rengjøringsmidler eller kjemikalier når du rengjør høyttaleren.
- Grillen er utstyrt med en sikkerhetsfestesnor som er designet for bruk én gang.

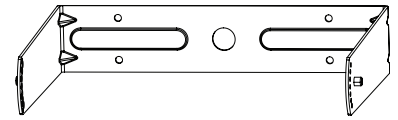
Innhold i pakken



× 1

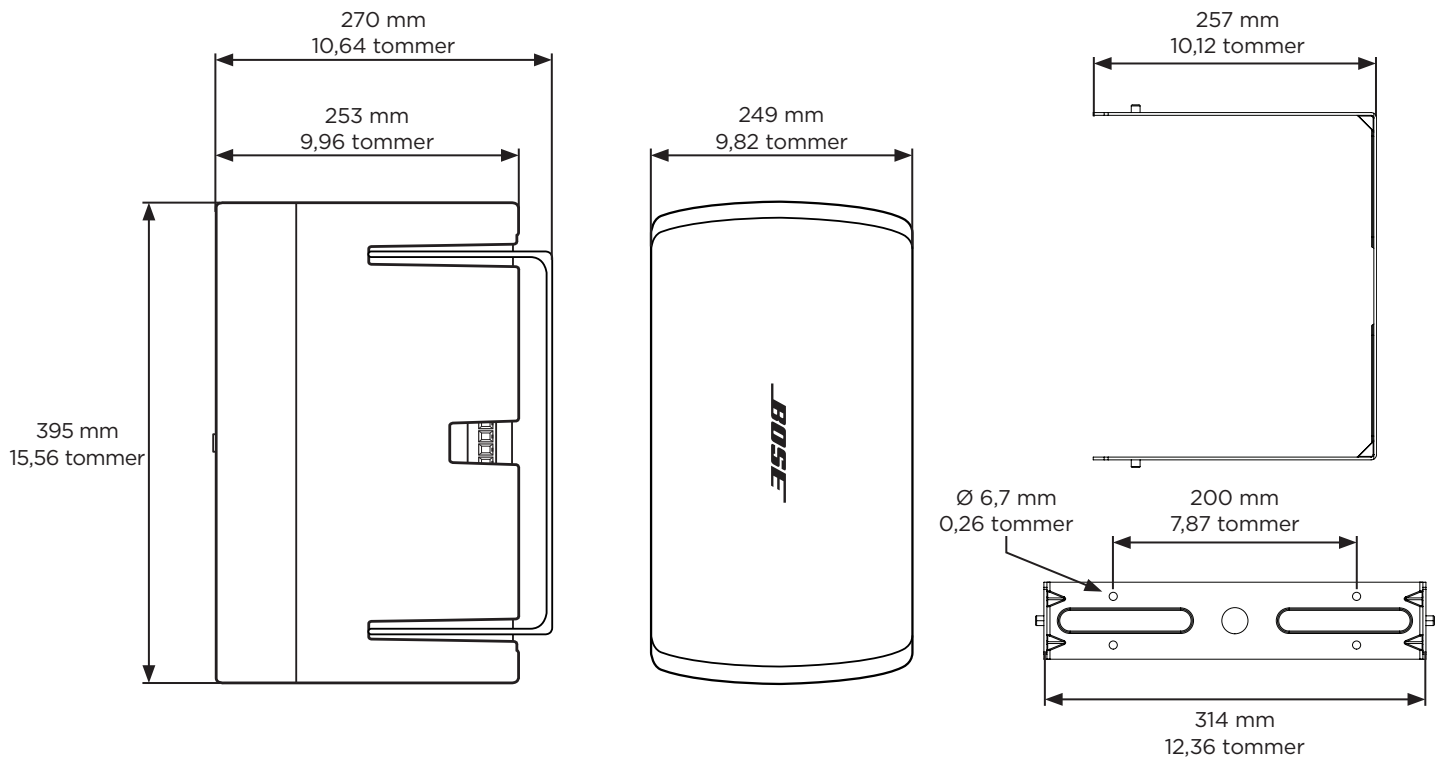


× 1



× 1

Produktmål



Tekniske spesifikasjoner

Hvis du vil ha flere spesifikasjoner, kan du se det tekniske dataarket for DesignMax DM8S på BoseProfessional.com.

Fysisk	
Produktmål	Høyde: 395 mm (15,56 tommer)
	Bredde: 249 mm (9,82 tommer)
	Dybde: 253 mm (9,96 tommer)
Nettovekt, høyttaler med grill	22,8 lb (10,34 kg)
Forsendelsesvekt	29,0 lb (13,15 kg)

Viktig informasjon om montering



Det er montørens ansvar å sikre at monteringen av høyttalerne og monteringssystemet utføres i henhold til alle gjeldende forskrifter, inkludert lokale byggeforskrifter og bestemmelser. Kontakt de lokale myndighetene som har domsmyndighet før du monterer dette produktet.

Montøren har ansvaret for at høyttaleren er sikkert montert. Hvis høyttaleren ikke er montert på riktig måte, kan dette forårsake skade og død.

Produktet må ikke monteres på steder hvor det kan oppstå kondens.



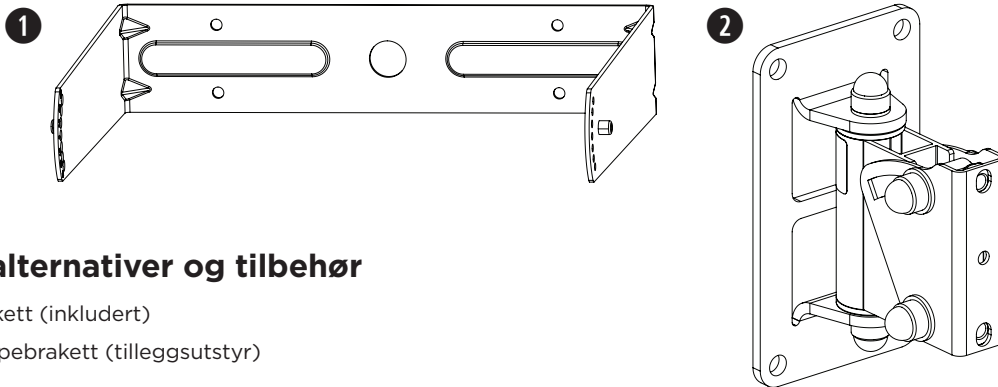
Jernvarene for å feste høyttaleren til monteringsoverflaten er ikke inkludert. Kontakt en fagperson for riktig jernvare til montering før installering av høyttaleren.

Må ikke monteres på overflater som ikke er solide, eller som har skjulte faremomenter bak seg, for eksempel elektriske kabler eller rør. Kontakt en kvalifisert montør hvis du er usikker på hvordan braketten skal monteres. Sørg for at braketten er montert i henhold til lokale byggeforskrifter.



Ikke bruk hydrokarbonbaserte oppløsningsmidler, smøremidler eller rengjøringsmidler på eller rundt denne høyttaleren og tilhørende monteringsutstyr under montering. Slike midler kan forårsake at plastmaterialet brytes ned, som igjen kan forårsake sprekker og at høyttaleren faller ned.

Monteringsalternativer



Monteringsalternativer og tilbehør

- ❶ Monteringsbrakett (inkludert)
- ❷ RMUBRKT1 vippebrakett (tilleggsutstyr)

Kable høyttaleren

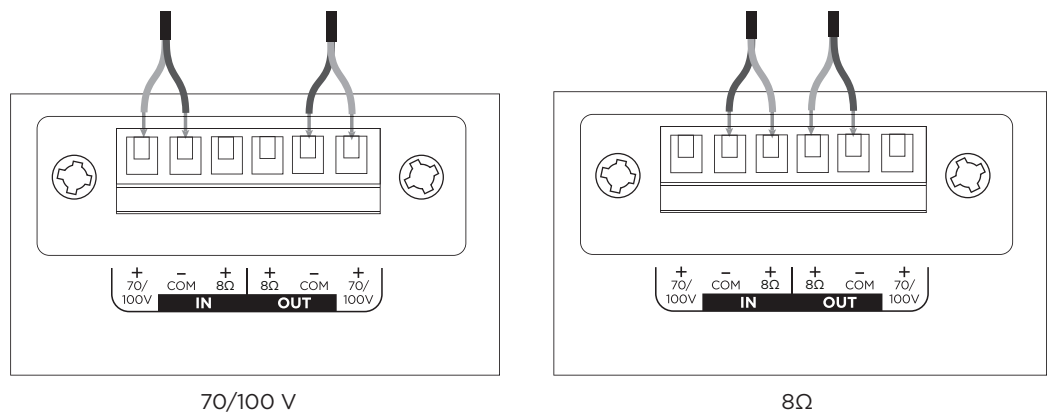
Kabeldiameter

DesignMax DM8S-høyttaleren er utformet for å fungere kun med kabler på mellom 18 AWG (0,8 mm²) til 14 AWG (2,1 mm²).

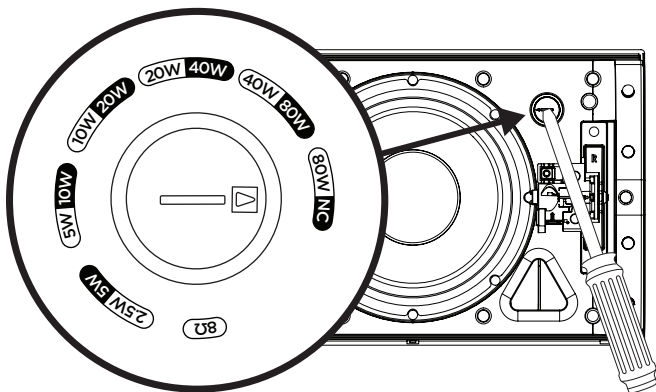
Koblingsdiagrammer

Eksponeer seks millimeter (¼-tommer) av ledningen for å feste til terminalene.

Merk: Høyttaleren er ikke sertifisert for bruk med et stivt rør. Høyttaleren passer kun med et fleksibelt rør eller en ledningskobling.



Høyttalerinnstillinger



70 V						8Ω
2,5W	5 W	10 W	20 W	40 W	80W*	
5 W	10 W	20 W	40 W	80 W	NC**	
100 V						

* Fabrikstandard

** NC: Ingen tilkobling (ikke bruk)

Innstilling av omformerkontakt

Vri for å stille inn kontakten. Bruk en skrutrekker med flatt hode.

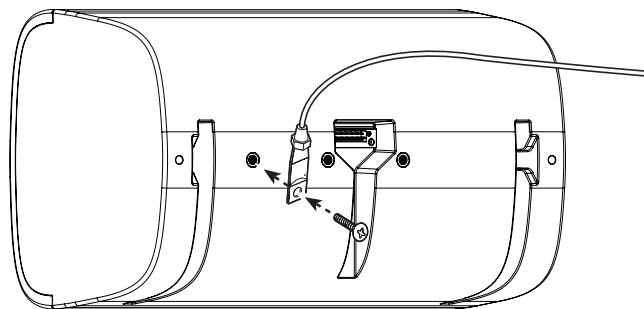
Bruke en sikkerhetskabel

Noen regionale byggeforskrifter krever at du sikrer høyttalerne ytterligere ved hjelp av en sekundær sikringsmetode.

Velg monteringssted, -metode- og -utstyr som samsvarer med lokale byggeforskrifter og bestemmelser.

En sikkerhetskabel kan festes til høyttaleren ved å bruke låsgjengen bak på høyttaleren.

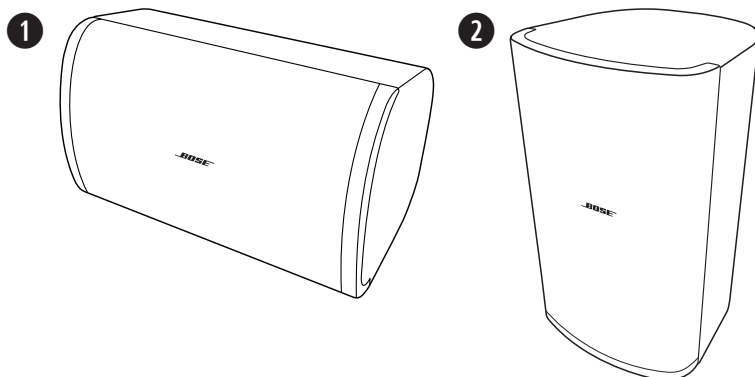
Låsgjengen kan brukes med en M8-skrue (ikke inkludert).



Høyttalerretning

Velg høyttalerretningen som passer best til monteringen din.

- 1 Horisontal
- 2 Vertikal

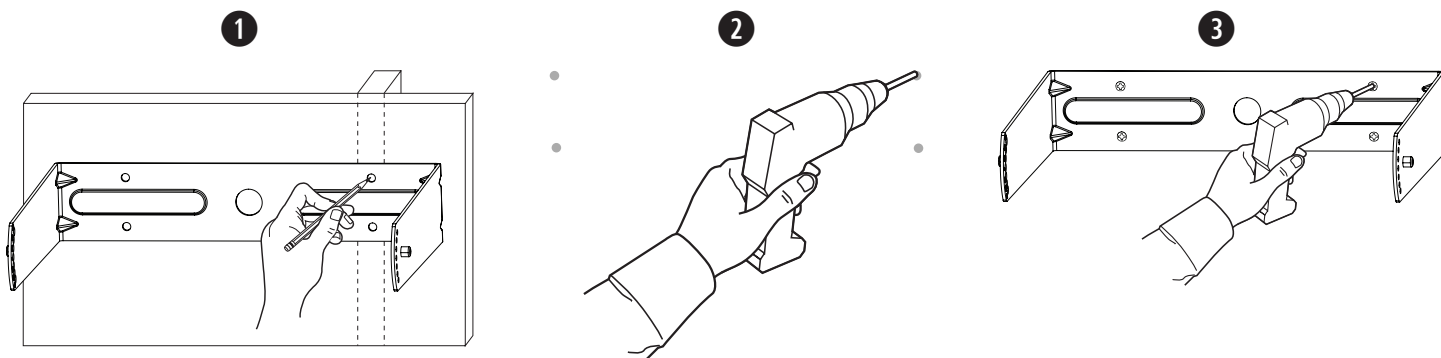


Merk: Montering på steder hvor høyttaleren kan komme i kontakt med matolje, for eksempel på storkjøkken, kan redusere ytelsen eller funksjonaliteten til høyttaleren.

Montere braketten

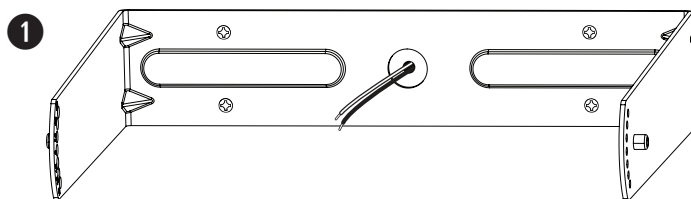
Merk: Når du velger monteringssted, må minst to av festepunktene til monteringsbraketten være festet til en støttestruktur. Festepunkter som ikke er festet til en støttestruktur, må festes med bruk av egnet jernvare til monteringen.

1. Marker borehull.
2. Bor fire hull (i egnet størrelse for festeanordninger) i veggen.
3. Fest braketten til veggen med fire skruer (ikke inkludert). **Merk:** Bruk M6-skruer eller 1/4-tommers skruer.



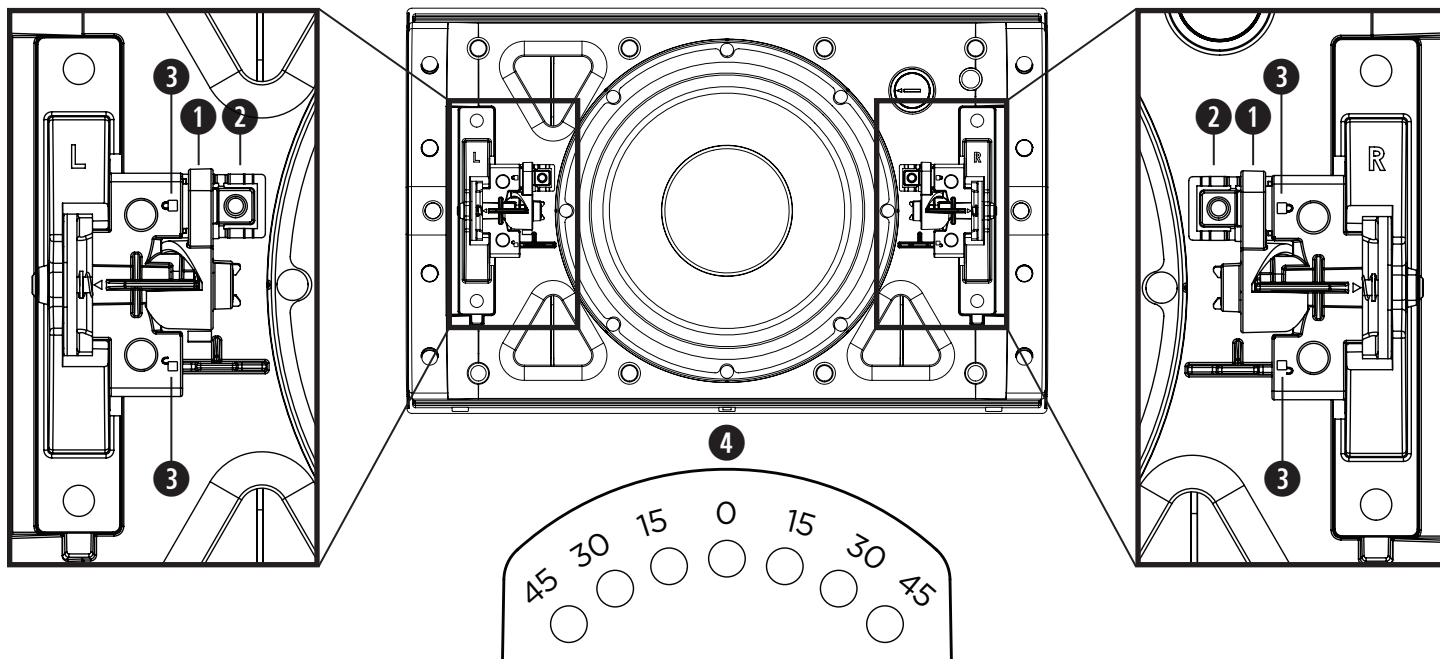
Føre ledninger til kontakten

1. Trekk ledningene gjennom hullet i midten av braketten.
2. Fjern kontakten fra høyttaleren.
3. Sett ledningene i kontakten. Hvis du vil ha mer informasjon om kabling, kan du se **Kable høyttaleren** på side 40.



Viktig informasjon om montering

- ❶ **låsespaker:** Brukes til å feste høyttaleren til monteringsbraketten. Trykk spakene mot låsepinnene for å låse. Trykk spakene bort fra låsepinnene for å låse opp.
- ❷ **Låsepinner:** Trykk pinnene ned for å låse opp spakene.
- ❸ **Låseindikatorer:** Finn låseretningen.
- ❹ **Retningsmerker (på brakett):** Finn retningsvinkelen du foretrekker.

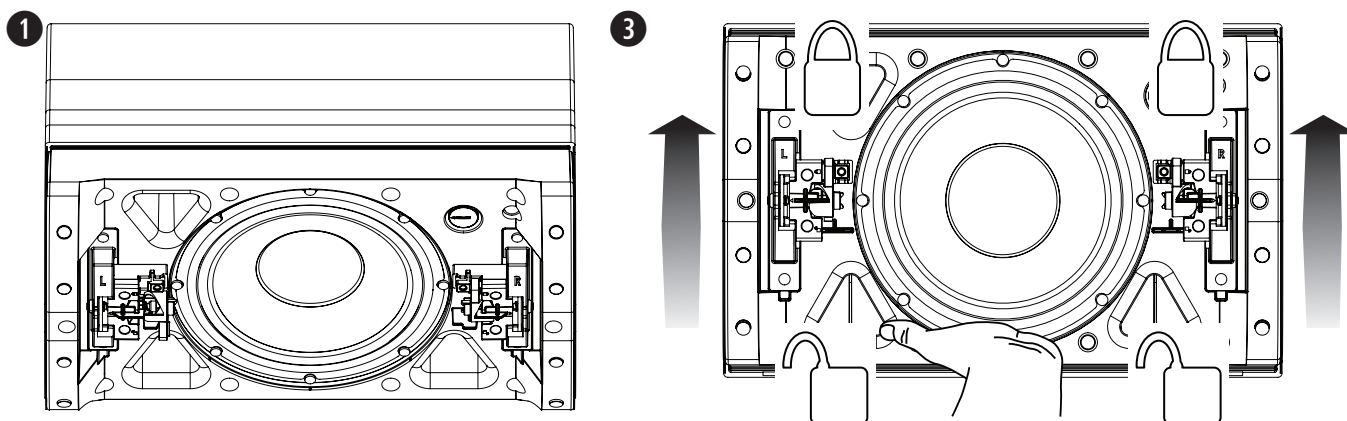


Montering av høyttaleren

Merk: Høyttaleren leveres med låsespaker teipet ned. Fjern teipen før montering.

1. Fest høyttaleren til braketten, juster høyttaleren 45°, og lås spakene på plass.
 2. Fest den tilkoblede kontakten til høyttaleren.
 3. Lås opp spakene og juster høyttaleren i retningen du foretrekker. Pass på at du støtter den tunge høyttaleren mens du justerer høyttalerretningen.
- Merk:** Retningen til høyttaleren kan justeres til 0°, 15°, 30° eller 45°.
4. Lås spakene på plass.

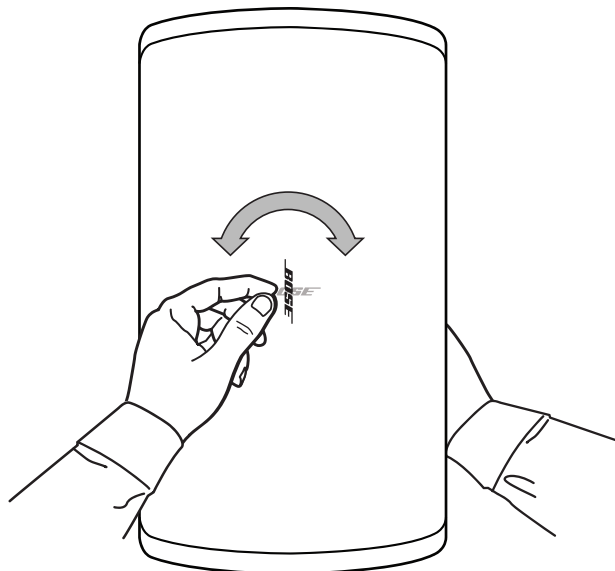
⚠ ADVARSEL: Hvis du ikke trykker ned spakene i låseposisjon som anvist, kan høyttaleren falle ned og forårsake skade på eiendom, alvorlige skader eller dødsfall. Det er montørens ansvar å sikre at monteringssystemet er installert i henhold til instruksjonene.



Rotere logoen

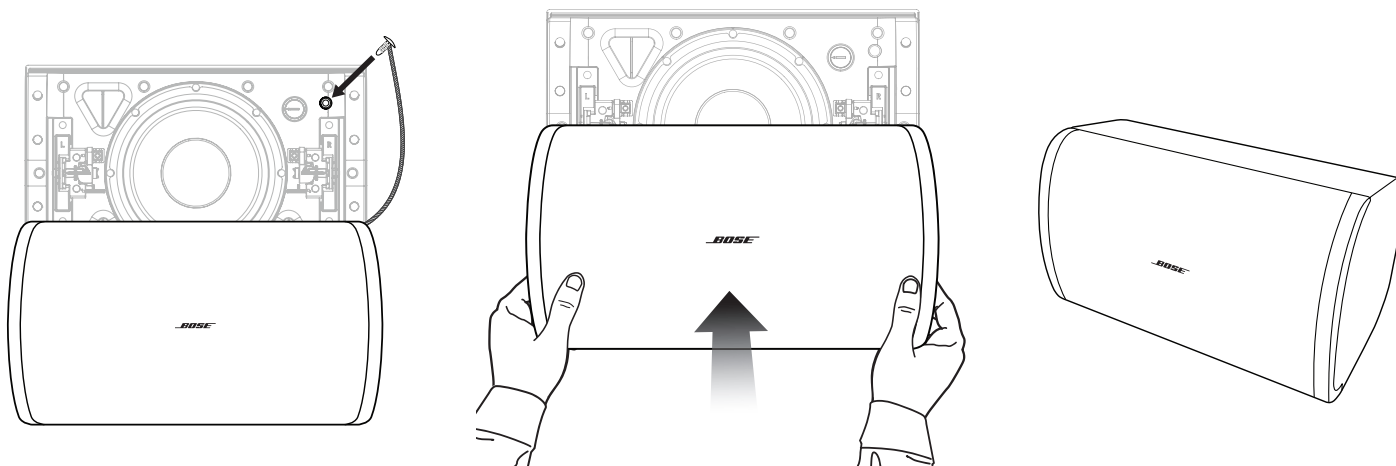
Du kan rotere Bose-logoen for å samsvare med høyttalerens retning. Trykk på knappen bak på grillen med én hånd. Roter logoen med den andre hånden. Logoen kan roteres med klokken eller mot klokken.

Merk: Ikke knip knappen innover hvis du ikke vil fjerne logoen.



Feste grillen

Stikk sikkerhetsfestesnoren inn i hullet i høyttaleren. Sett grillen opp mot høyttaleren med begge hender, slik at grillen er helt inntil høyttaleren uten mellomrom. Grillen festet til høyttaleren ved hjelp av magneter.



Samsvar med sikkerhet og forskrifter

DesignMax DM8S-høyttaleren har bestått tester og samsvarer med følgende spesifikasjoner og bruksområder:

Oppført i ANSI/UL 1480A-2016, høyttalere for profesjonell kommersiell bruk og sikkerhetsformål

Generell bruk - UL kategori UEAY, filnummer S 5591 kontrollnummer 3N89

Kan brukes til montering ved hjelp av kabelmetoder i klasse 1, klasse 2 eller klasse 3, i samsvar med NFPA 70, National Electrical Code, 2017, artikkel 640

DesignMax DM8S-høyttaleren er utformet i henhold til kravene som er definert i følgende europeiske forskrifter for kombinasjonssystemer:

Testet i samsvar med IEC60268-5, 2007

Należy zapoznać się ze wszystkimi zaleceniami dotyczącymi bezpieczeństwa oraz instrukcjami użytkownika i zachować je.

Instalację niniejszego produktu może przeprowadzić wyłącznie specjalista! Niniejszy dokument ma na celu dostarczenie profesjonalnym instalatorom podstawowych wskazówek dotyczących instalacji i bezpieczeństwa tego produktu w typowych, stałych instalacjach. Przed przystąpieniem do instalacji należy zapoznać się z niniejszym dokumentem i wszystkimi ostrzeżeniami dotyczącymi bezpieczeństwa.

Nie wolno serwisować urządzenia samodzielnie. Wszystkie czynności serwisowe muszą być wykonywane przez pracowników autoryzowanych centrów serwisowych, autoryzowanych instalatorów, techników, sprzedawców lub dystrybutorów. Aby skontaktować się z firmą Bose Professional, do sprzedawcy bądź dystrybutora w okolicy, odwiedź stronę **BoseProfessional.com**.

1. Należy przeczytać instrukcje.
2. Należy zachować instrukcje.
3. Należy stosować się do wszystkich ostrzeżeń.
4. Należy postępować zgodnie z instrukcjami.
5. Nie należy korzystać z tego urządzenia w pobliżu wody.
6. Urządzenie należy czyścić wyłącznie przy użyciu suchej ściereczki.
7. Nie wolno blokować otworów wentylacyjnych. Urządzenie należy zainstalować zgodnie z zaleceniami producenta.
8. Nie wolno instalować urządzenia w pobliżu źródeł ciepła, takich jak kaloryfery, przewody kominowe, piece lub inne urządzenia wydzielające ciepło (np. wzmacniacze).
9. Należy korzystać wyłącznie z dodatków i akcesoriów zalecanych przez producenta.

Klasyfikacja produktu:

Napięcie wejściowe: 70 V / 100 V

Impedancja: 8 Ω, 125 W

Prąd lub moc: (70 V): 2,5 W, 5 W, 10 W, 20 W, 40 W, 80 W; (100 V): 5 W, 10 W, 20 W, 40 W, 80 W

Informacje prawne

Ten produkt jest zgodny ze wszystkimi obowiązującymi wymaganiami dyrektyw UE. Pełna treść Deklaracji zgodności jest dostępna w witrynie: **www.Bose.com/compliance**.



Ten produkt jest zgodny ze wszystkimi obowiązującymi wymaganiami dokumentu Electromagnetic Compatibility Regulations 2016 oraz wszelkimi innymi przepisami obowiązującymi w Wielkiej Brytanii. Deklaracja zgodności jest dostępna w następującej witrynie internetowej: **www.Bose.com/compliance**



Ten symbol oznacza, że produktu nie należy wyrzucać razem z innymi odpadkami z gospodarstwa domowego. Produkt należy dostarczyć do odpowiedniego miejsca zbiórki w celu recyklingu. Właściwy sposób utylizacji i recyklingu pomaga chronić zasoby naturalne, ludzkie zdrowie i środowisko naturalne. Aby uzyskać więcej informacji na temat utylizacji i recyklingu tego produktu, skontaktuj się z samorządem lokalnym, w zakładzie utylizacji odpadów albo w sklepie, w którym produkt został nabyty.

Data produkcji: Ósma cyfra numeru seryjnego oznacza rok produkcji, np. cyfra „7” oznacza rok 2007 lub 2017.

Importer na terenie Chin: Bose Electronics (Shanghai) Company Limited, Part C, Plant 9, No. 353 North Riying Road, China (Shanghai) Pilot Free Trade Zone

Importer na terenie UE: Bose Products B.V., Gorslaan 60, 1441 RG Purmerend, Holandia

Importer – Meksyku: Bose de México, S. de R.L. de C.V., Paseo de las Palmas 405-204, Lomas de Chapultepec, 11000 México, D.F. W celu uzyskania informacji o importerze i usługach: +5255 (5202) 3545

Importer na terenie Tajwanu: Bose Taiwan Branch, 9F-A1, No.10, Section 3, Minsheng East Road, Taipei City 104, Taiwan. Numer telefonu: +886-2-2514 7676

Importer – Wielka Brytania: Bose Limited, Bose House, Quayside Chatham Maritime, Chatham, Kent, ME4 4QZ, United Kingdom

Bose jest znakiem towarowym firmy Bose Corporation.

DesignMax jest znakiem towarowym firmy Transom Post OpCo LLC.

Bose Corporation, Framingham, MA 01701, U.S.A. 1-877-230-5639

©2023 Transom Post OpCo LLC. Żadnej części tego dzieła nie wolno reprodukcować, modyfikować, rozpowszechniać ani w inny sposób wykorzystywać bez uprzedniego uzyskania pisemnego pozwolenia.

Informacje o gwarancji

Opisywany produkt objęty jest ograniczoną gwarancją.

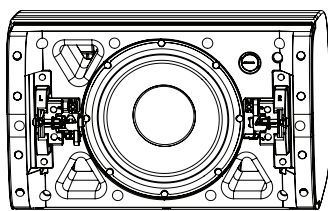
Szczegółowe informacje na temat gwarancji można znaleźć na stronie **BoseProfessional.com/Warranty**.

**OSTRZEŻENIA/PRZESTROGI**

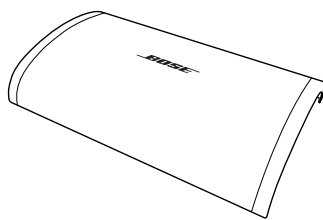
Produkt zawiera elementy magnetyczne. Aby dowiedzieć się, czy mogą one mieć wpływ na funkcjonowanie implantów medycznych, należy skonsultować się z lekarzem.

- Wszystkie produkty Bose Professional muszą być instalowane zgodnie z przepisami lokalnymi, krajowymi, federalnymi i branżowymi. Instalator jest zobowiązany zainstalować głośniki i system montażowy zgodnie ze wszystkimi obowiązującymi regulaminami, w tym regulaminami i przepisami obowiązującymi w budynku. Przed instalacją produktu należy skonsultować się z odpowiednimi władzami.
- Niebezpieczny montaż lub podwieszenie ciężkiego ładunku może spowodować poważne obrażenia lub śmierć oraz uszkodzenie mienia. Do obowiązków instalatora należy ocena niezawodności każdej metody montażu stosowanej w tym przypadku. Montaż podwieszanych głośników może być przeprowadzany wyłącznie przez profesjonalnych instalatorów posiadających wiedzę o odpowiednim sprężeniu i bezpiecznych technikach montażu.
- Nie wolno montować produktu w pomieszczeniach, w których może występować skraplanie pary wodnej.
- Niniejszy produkt nie jest przeznaczony do instalacji ani stosowania w pomieszczeniach mających stały kontakt z wodą (w tym m.in. basenach wewnętrznych, parkach wodnych, pomieszczeniach z jacuzzi, saunach, łaźniach parowych i lodowiskach).
- Nie montować uchwytu na powierzchniach niewystarczająco solidnych lub stwarzających zagrożenia związane na przykład z instalacją elektryczną lub hydrauliczną. W przypadku wątpliwości związanych z montażem uchwytu skontaktować się z wykwalifikowanym instalatorem. Upewnić się, że uchwyt został zamontowany zgodnie z lokalnymi przepisami budowlanymi.
- Należy używać wyłącznie sprzętu i akcesoriów dostarczonych lub określonych przez firmę Bose Professional jako odpowiednie do głośników DesignMax DM8S. Elementy mocujące głośnik do powierzchni montażowej nie są dołączone do zestawu. Informacje na temat zgodnych akcesoriów można znaleźć w arkuszu danych technicznych produktu pod adresem **BoseProfessional.com**.
- Produkt musi być umieszczony z dala od ognia i źródeł ciepła. Na urządzeniu lub w jego pobliżu nie należy umieszczać źródeł otwartego ognia, np. zapalonych świec.
- Nie wolno dokonywać modyfikacji produktu bez zezwolenia.
- Wspornik do montażu ściennego DesignMax DM8S jest przeznaczony wyłącznie do modelu DM8S.
- Podczas instalacji nie wolno używać rozpuszczalników na bazie węglowodorów, środków smarnych ani środków czyszczących jakiegokolwiek typu i nanosić ich wokół głośnika ani na urządzenie czy dołączone elementy montażowe. Narażenie na działanie takich substancji może prowadzić do degradacji materiałów plastikowych, a w rezultacie do pęknięcia i stworzenia zagrożenia upadkiem.
- Głośniki należy czyścić wyłącznie suchą szmatką. Nie należy wystawiać głośnika na działanie mydła, detergentów, oleju mineralnego, alkoholu ani innych środków czyszczących lub chemikaliów.
- Osłona wyposażona jest w linkę bezpieczeństwa przeznaczoną do jednorazowego użytku.

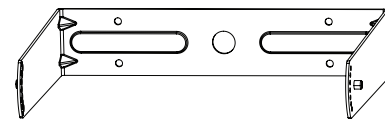
Zawartość opakowania



× 1

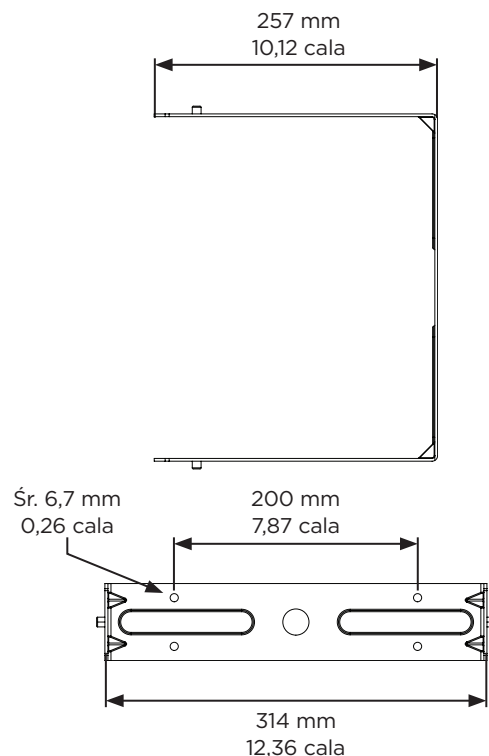
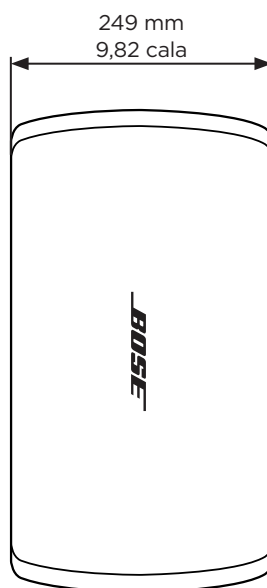
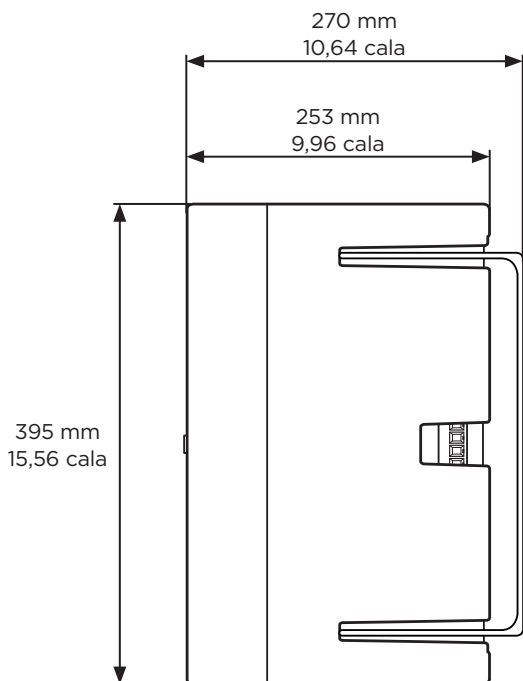


× 1



× 1

Wymiary produktu



Dane techniczne

Dodatkowe dane techniczne można znaleźć w arkuszu danych technicznych DesignMax DM8S na stronie BoseProfessional.com.

Fizyczne	
Wymiary produktu	Wysokość: 395 mm (15,56 cala)
	Szerokość: 249 mm (9,82 cala)
	Głębokość: 253 mm (9,96 cala)
Waga netto - głośnik z osłoną	10,34 kg (22,8 lb)
Waga przesyłki	13,15 kg (29,0 lb)

Ważne informacje dotyczące instalacji



Instalator jest zobowiązany zainstalować głośniki i system montażowy zgodnie ze wszystkimi obowiązującymi regulaminami, w tym regulaminami i przepisami obowiązującymi w budynku. Przed instalacją produktu należy skonsultować się z odpowiednimi władzami.

Odpowiedzialność za bezpieczeństwo instalacji głośników spoczywa na instalatorze. Nieprawidłowe zamontowanie głośnika może spowodować uszkodzenie urządzenia, obrażenia ciała lub śmierć.

Nie wolno montować produktu w pomieszczeniach, w których może występować skraplanie pary wodnej.



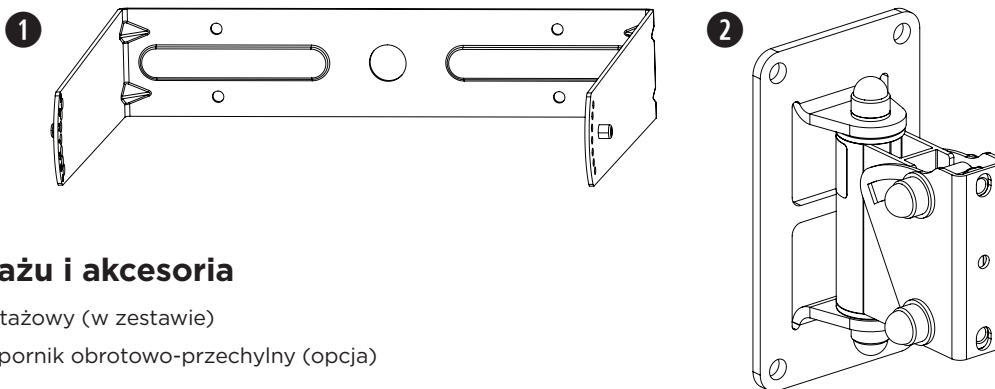
Elementy mocujące głośnik do powierzchni montażowej nie są dołączone do zestawu. Przed zainstalowaniem głośnika należy skonsultować się ze specjalistą budowlanym w celu uzyskania informacji na temat odpowiednich elementów montażowych.

Nie montować uchwytu na powierzchniach niewystarczająco solidnych lub stwarzających zagrożenia związane na przykład z instalacją elektryczną lub hydrauliczną. W przypadku wątpliwości związanych z montażem uchwytu skontaktować się z wykwalifikowanym instalatorem. Upewnić się, że uchwyt został zamontowany zgodnie z lokalnymi przepisami budowlanymi.



Podczas instalacji nie wolno używać rozpuszczalników na bazie węglowodorów, środków smarnych ani środków czyszczących jakiegokolwiek typu i nanosić ich wokół głośnika ani na urządzenie czy dołączone elementy montażowe. Narażenie na działanie takich substancji może prowadzić do degradacji materiałów plastikowych, a w rezultacie do pęknięcia i stworzenia zagrożenia upadkiem.

Opcje montażu



Opcje montażu i akcesoria

- ❶ Wspornik montażowy (w zestawie)
- ❷ RMUBRKT1 Wspornik obrotowo-przechylny (opcja)

Okablowanie głośnika

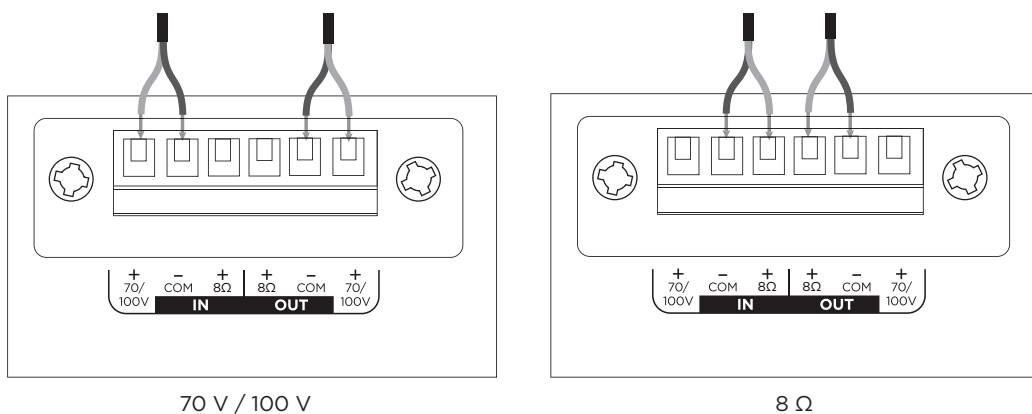
Grubość przewodu

Do montażu głośnika DesignMax DM8S należy stosować wyłącznie przewody o rozmiarze od 18 AWG (0,8 mm²) do 14 AWG (2,1 mm²).

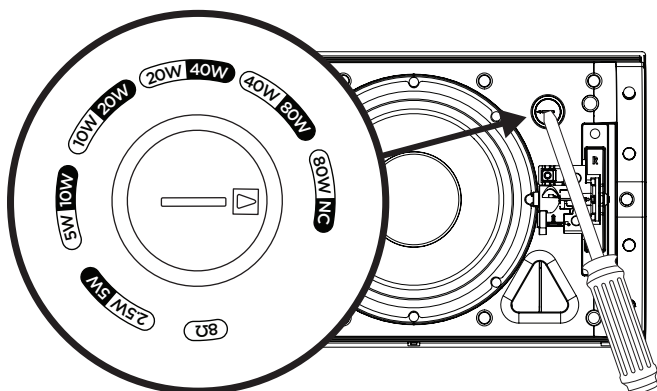
Schematy połączeń

Odstąpić sześć milimetrów (¼ cala) nieizolowanego przewodu, aby podłączyć go do zacisków.

Uwaga: głośnik nie jest przeznaczony do użytkowania wraz ze sztywnym kanałem kablowym. Głośnik może być podłączany wyłącznie do elastycznego kanału kablowego lub okablowania.



Ustawienia głośnika



70 V						8 Ω
2,5 W	5 W	10 W	20 W	40 W	80 W*	
5 W	10 W	20 W	40 W	80 W	NC**	
100 V						

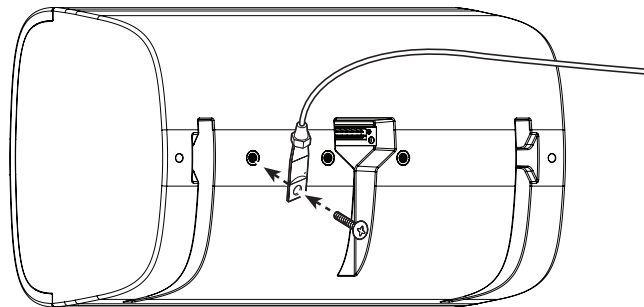
* Ustawienia fabryczne ** NC brak połączenia (nie używać)

Ustawienie gwintownika transformatora

Ustaw gwintownik, obracając go. Użyj płaskiego śrubokrętu.

Korzystanie z kabla zabezpieczającego

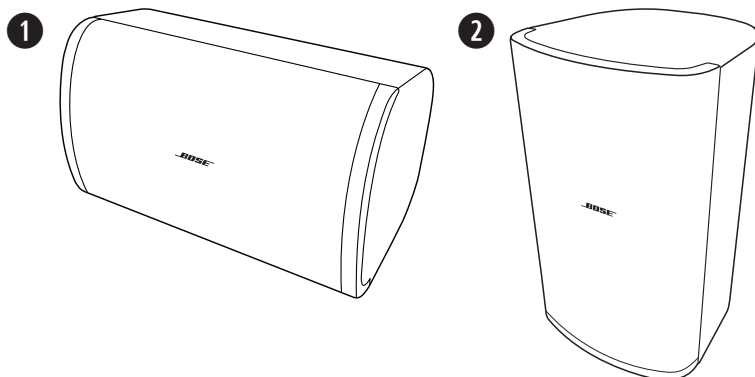
Niektóre regionalne przepisy budowlane wymagają zastosowania dodatkowej metody zabezpieczania głośników w celu zapewnienia dodatkowego bezpieczeństwa. Pozycja, sposób i elementy montażu muszą być zgodne z lokalnymi normami i przepisami budowlanymi. Kabel bezpieczeństwa można przymocować do głośnika za pomocą wkładki gwintowanej znajdującej się z tyłu obudowy. Wielkość płytki jest odpowiednia dla śruby M8 (brak w zestawie).



Orientacja głośnika

Wybrać ustawienie głośnika, które najlepiej pasuje do danej instalacji.

- ❶ Poziomo
- ❷ Pionowo

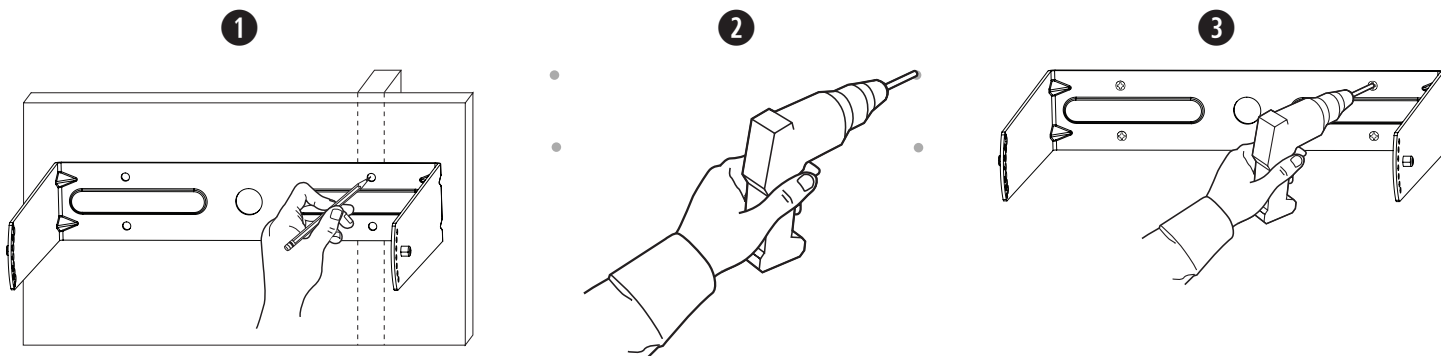


Uwaga: montaż w pobliżu powierzchni służących do gotowania, gdzie głośnik może być bezpośrednio wystawiony na działanie olejów, np. w komercyjnych punktach przygotowywania posiłków, może obniżyć wydajność lub funkcjonalność głośnika.

Montaż wspornika

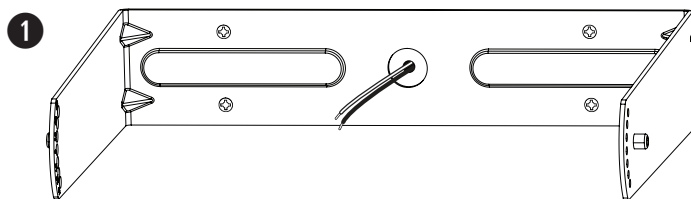
Uwaga: w miejscu montażu co najmniej dwa punkty mocowania wspornika montażowego muszą być przymocowane do konstrukcji nośnej. Punkty mocowania, które nie są przymocowane do konstrukcji nośnej, muszą zostać zabezpieczone przy użyciu odpowiednich śrub i nakrętek do montażu.

1. Zaznaczyć otwory do wywiercenia.
2. Wywiercić w ścianie cztery otwory (o wielkości odpowiedniej do zamocowania).
3. Przymocować wspornik do ściany za pomocą czterech śrub (brak w zestawie). **Uwaga:** użyć wkrętów o rozmiarze M6 lub ¼ cala.



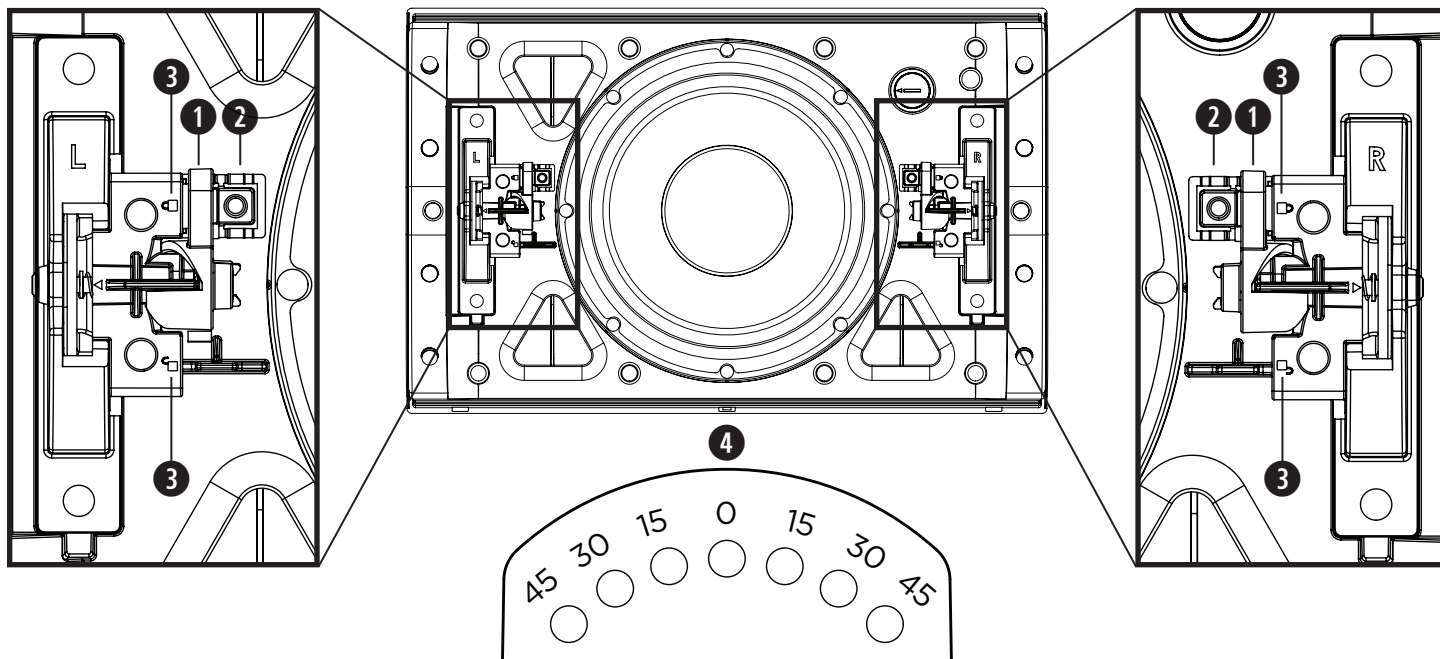
Podłączanie okablowania do złącza

1. Poprowadzić przewody przez środkowy otwór wspornika.
2. Wymontować złącze z głośnika.
3. Podłączyć przewody do złącza. Informacje na temat okablowania można znaleźć w sekcji **Podłączanie okablowania do głośnika** na stronie 46.



Ważne informacje dotyczące montażu

- ❶ **Dźwignie blokujące:** służą do mocowania głośnika do wspornika montażowego. Popchnąć dźwignie w kierunku sworzni blokujących w celu zablokowania; popchnąć dźwignie w kierunku od sworzni blokujących w celu odblokowania.
- ❷ **Zaciski blokujące:** nacisnąć sworznie, aby odblokować dźwignie.
- ❸ **Wskaźniki zablokowania:** określić kierunek blokowania.
- ❹ **Oznaczenia kątów (na wsporniku):** określić żądane położenie kątów.



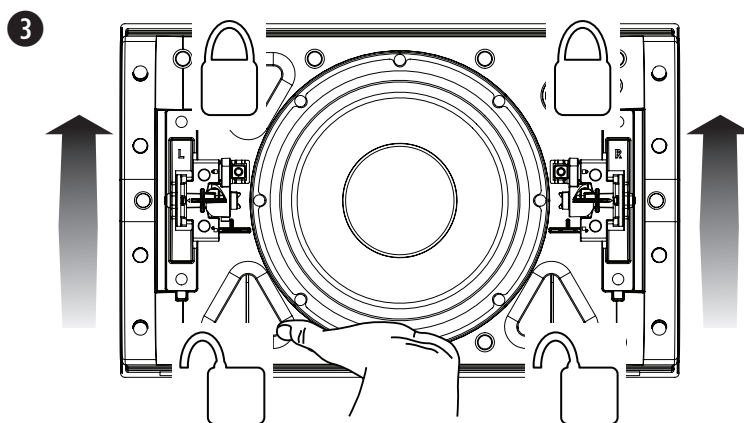
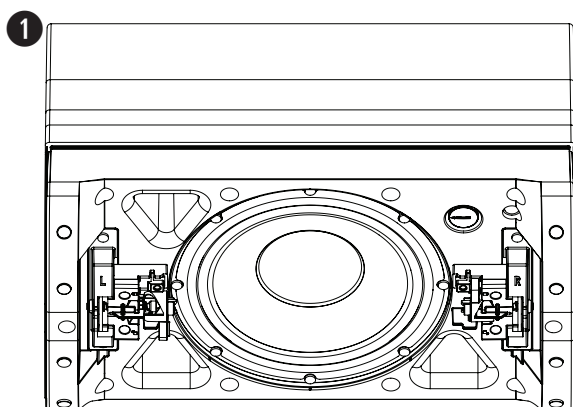
Montaż głośnika

Uwaga: głośnik jest dostarczany z przymocowanymi do niego dźwigniami blokującymi. Usunąć taśmę przed rozpoczęciem montażu.

1. Przymocować głośnik do wspornika, ustawić głośnik pod kątem 45°, a następnie zablokować dźwignie.
 2. Podłączyć złącze przewodowe do głośnika.
 3. Odblokować dźwignie i ustawić głośnik pod żądanym kątem. Podczas regulacji kąta ustawienia głośnika należy dopilnować, by głośnik był odpowiednio podparty.
- Uwaga:** kąt ustawienia głośnika można regulować w zakresie 0°, 15°, 30° lub 45°.
4. Zablokować dźwignie.



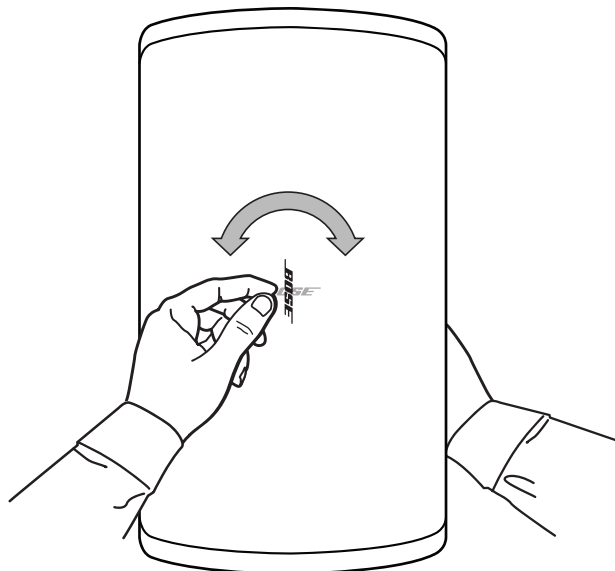
OSTRZEŻENIE: Niepopchnięcie dźwigni do położenia zablokowania zgodnie z instrukcją może stworzyć ryzyko upadku, co może doprowadzić do uszkodzenia mienia, poważnych obrażeń lub śmierci. Do obowiązków instalatora należy sprawdzenie, czy system montażowy został zainstalowany zgodnie z instrukcją.



Obracanie logo

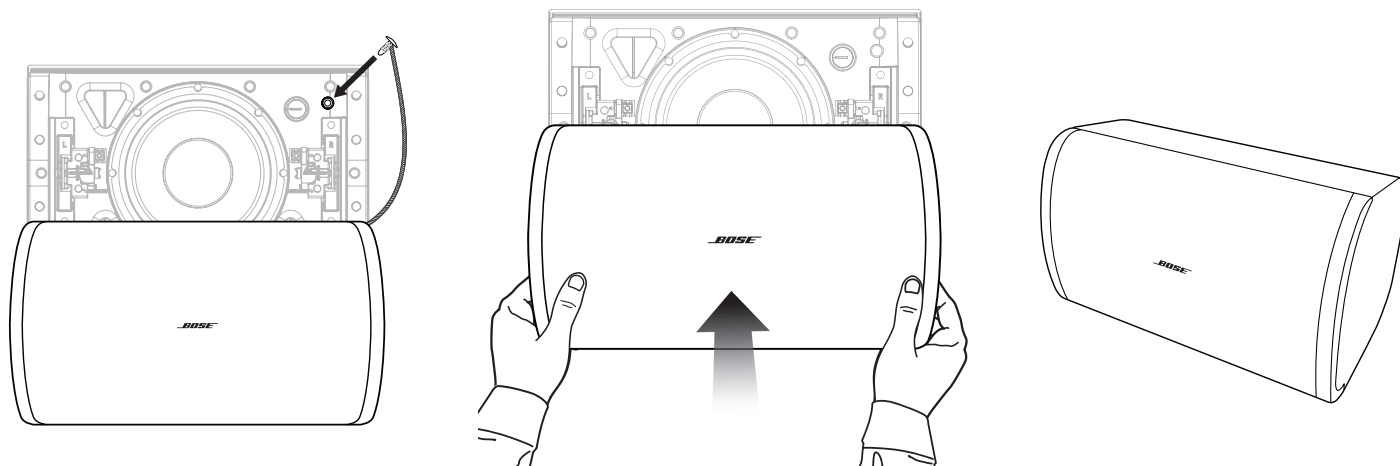
Można obrócić logo Bose, aby dopasować je do orientacji głośnika. Jedną ręką nacisnąć przycisk z tyłu kratki. Obrócić logo drugą ręką. Logo można obracać w prawo lub w lewo.

Uwaga: nie dociskać przycisku do środka, jeśli logo ma pozostać zamontowane.



Mocowanie osłony głośnika

Włożyć kołek linki bezpieczeństwa do otworu w głośniku. Obiema rękami ustawić kratkę na głośniku, upewniając się, że przylega ona do głośnika, bez żadnych szczelin. Osłona jest mocowana do głośnika magnetycznie.



Informacje dotyczące bezpieczeństwa i zgodności

Głośnik DesignMax DM8S przeszedł testy i jest zgodny z następującymi specyfikacjami i zastosowaniami:

Zgodność z normami ANSI/UL 1480A-2016, Głośniki do bezpiecznego użytku komercyjnego i specjalistycznego

Do zastosowań ogólnych – kategoria UL UEAY, numer pliku S 5591, numer kontrolny 3N89

Głośniki nadają się do instalacji przy użyciu okablowania klasy 1, klasy 2 lub klasy 3 zgodnie z normą NFPA 70, National Electric Code, 2017, art. 640

Głośnik DesignMax DM8S został zaprojektowany zgodnie z wymaganiami określonymi w następujących europejskich przepisach dotyczących systemów łączonych:

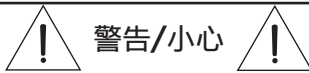
testy zgodne z normą IEC60268-5, 2007.

请阅读并保留所有安全和使用说明。

本产品仅适合由专业安装人员安装！本文档旨在为专业安装人员提供在典型的固定安装系统中安装此产品时适用的基本安装和安全指南。请先阅读本文档和所有安全警告，再尝试安装。

请勿尝试自行维修此产品。所有维修服务必须由授权服务中心、安装人员、技术人员、经销商或分销商提供。要联系 Bose Professional 或查找您附近的经销商或分销商，请访问 BoseProfessional.com。

1. 请阅读这些说明。
2. 请保留这些说明。
3. 请注意所有警告。
4. 请遵守所有说明。
5. 请勿在近水区域使用本设备。
6. 只能使用干布进行清洁。
7. 请勿堵塞任何通风口。请按照制造商的说明进行安装。
8. 请勿安装在靠近任何热源的位置，例如暖气片、热调节装置、火炉或可产生热量的其他设备（包括功率放大器）。
9. 只能使用制造商指定的附件/配件。



警告/小心



本产品含有磁性材料。有关这是否会影响到您的植入式医疗器械，请咨询您的医生。

- 所有 Bose Professional 产品的安装必须遵守当地、州、联邦和行业规范。安装人员有责任确保扬声器和安装系统的安装都符合适用的法规，包括当地的建筑法规和规定。安装本产品前，请咨询拥有司法权的当地监管机构。
- 不安全地登高安装或吊装任何重物可能导致严重的人身伤害和财产损失。安装人员有责任评估在其应用中所使用的任何安装方法的可靠性。只有正确了解硬件且掌握安全安装技术的专业安装人员才能尝试安装任何吊装式扬声器。
- 请勿将产品安装在可能发生冷凝的位置。
- 此产品不适合在室内涉水设施区域安装或使用（包括但不限于室内游泳馆、室内水上乐园、有热水浴缸的房间、桑拿房、蒸汽浴室以及室内溜冰场）。
- 请勿将其安装在不结实或有潜在危险的表面，比如布线或铺设管道的地方。如果您不确定如何安装支架，请联系拥有相应资质的专业安装人员。安装支架时，应确保遵循当地建筑规范的要求。
- 仅使用随附安装紧固件和附件或 Bose Professional 指定与 DesignMax DM8S 扬声器配合使用的安装紧固件和附件。不提供用于将扬声器固定到安装表面的安装紧固件。有关兼容附件的信息，请参阅 BoseProfessional.com 上的产品技术参数表。
- 请将本产品放置到远离火源和热源的地方。请勿将明火火源（如点燃的蜡烛）置于本产品上或靠近本产品。
- 未经授权切勿改装本产品。
- DesignMax DM8S 壁挂支架仅适用于 DM8S 机型。
- 在安装扬声器和相关安装硬件时，请勿对产品本身或在其周边使用任何类型的烃类溶剂、润滑剂或清洗剂。暴露于此类物质中可能会导致产品塑料材料老化，从而导致产品开裂和坠落危险。
- 只能使用干布清洁扬声器。请勿将扬声器暴露在肥皂、清洁剂、矿物油、酒精或其他清洁剂或化学制品中。
- 网罩配有专门的一次性安全绳索。

产品额定值：

输入电压：70V/100V

阻抗：8 Ω, 125 W

电流或功率：(70V)：2.5W、5W、10W、20W、40W、80W；
(100V)：5W、10W、20W、40W、80W

规范信息



本产品符合所有适用的欧盟指令要求。您可以从以下网址找到完整的合规声明：www.Bose.com/compliance。



本产品符合所有适用的 2016 电磁兼容性法规和所有其他适用的英国法规。符合声明全文载于：www.Bose.com/compliance



此符号表示不得将此产品作为生活垃圾丢弃，应将其送到合适的回收站点进行回收。正确处理和回收有助于保护自然资源、人类健康和环境。想要获得更多关于此产品的处理和回收的信息，请联系当地市政当局、垃圾处理服务部门或您购买此产品的商店。

中国危险物质限用表

有毒或有害物质或元素名称及成分						
有毒或有害物质和元素						
零件名称	铅 (Pb)	汞 (Hg)	镉 (Cd)	六价铬 (CR(VI))	多溴化联苯 (PBB)	多溴二苯醚 (PBDE)
印刷电路板	X	0	0	0	0	0
金属零件	X	0	0	0	0	0
塑料零件	0	0	0	0	0	0
扬声器	X	0	0	0	0	0
线缆	X	0	0	0	0	0

此表格依据 SJ/T 11364 的要求制定。
 0: 表示此零件中所有均质材料所包含的此类有毒或有害物质均低于 GB/T 26572 中的限定要求。
 X: 表示此零件所用全部均质材料中至少有一种包含的有毒或有害物质高于 GB/T 26572 中的限定要求。



生产日期：序列号中第八位数字表示生产年份；“7”表示 2007 年或 2017 年。

中国进口商：博士视听系统（上海）有限公司，地址：中国（上海）自由贸易试验区日樱北路 353 号，9 号厂房 C 部位

欧洲进口商：Bose Products B.V., Gorslaan 60, 1441 RG Purmerend, The Netherlands

墨西哥进口商：Bose de México, S. de R.L. de C.V., Paseo de las Palmas 405-204, Lomas de Chapultepec, 11000 México, D.F.进口商和服务信息：+5255 (5202) 3545

中国台湾进口商：Bose 台湾分公司，台湾 104 台北市民生东路三段 10 号，9F-A1。电话：+886-2-2514 7676

英国进口商：Bose Limited, Bose House, Quayside Chatham Maritime, Chatham, Kent, ME4 4QZ, United Kingdom

Bose 是 Bose Corporation 的商标。

DesignMax 是 Transom Post OpCo LLC 的商标。

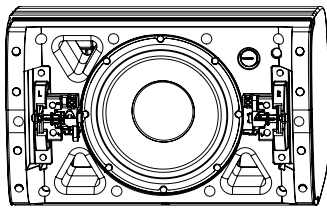
Bose Corporation, Framingham, MA 01701, U.S.A. 1-877-230-5639

©2023 Transom Post OpCo LLC。未经事先书面许可，不得复制、修改、分发或以其他方式使用本文档的任何部分。

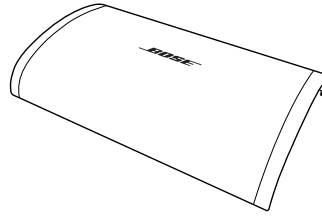
质保信息

本产品享有有限保修。
有关质保的详细信息，请访问 BoseProfessional.com/Warranty。

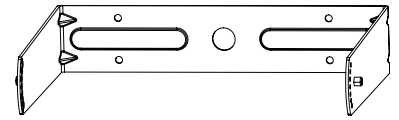
包装清单



×1

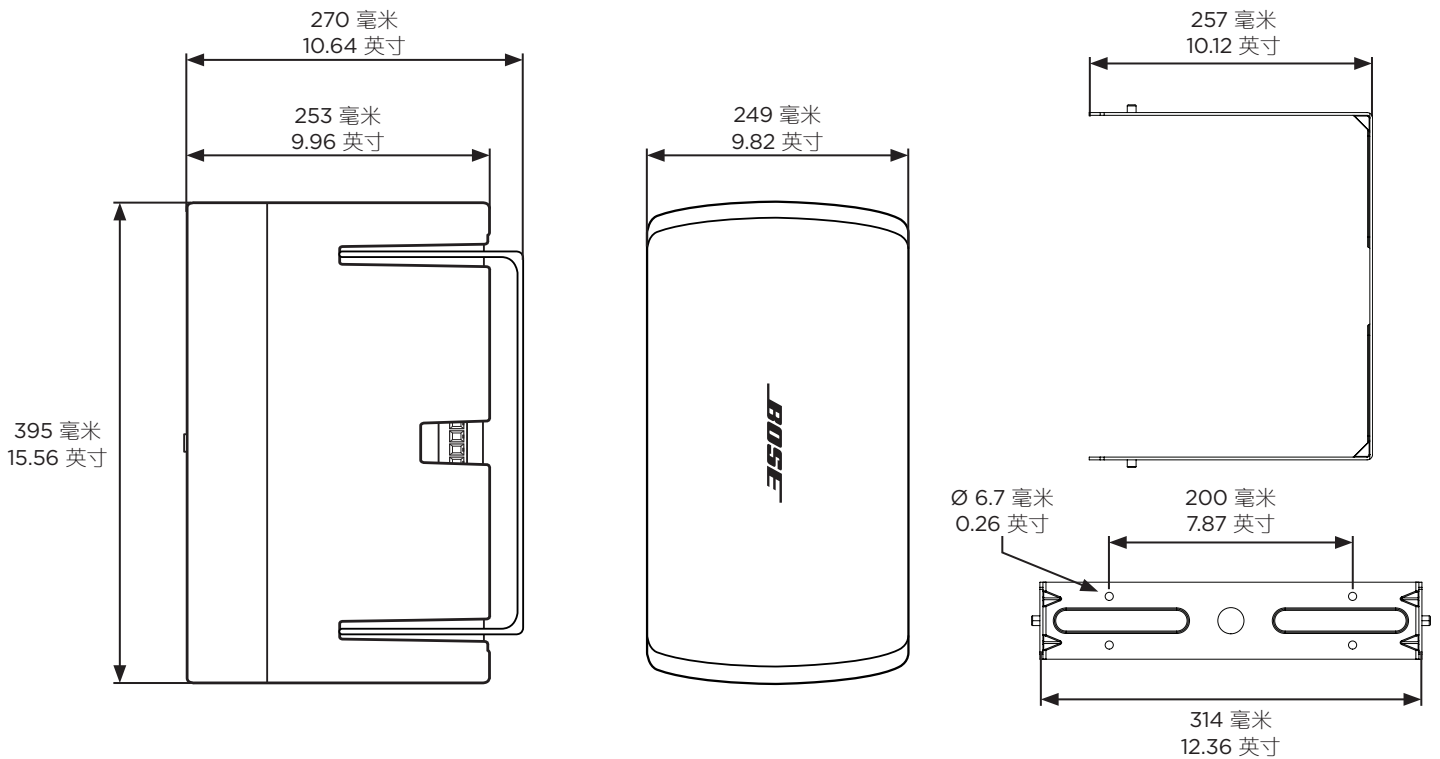


×1



×1

产品尺寸



技术规格

有关其他规格，请参阅 BoseProfessional.com 上的 DesignMax DM8S 技术参数表。

外观	
产品尺寸	高度：395 毫米（15.56 英寸）
	宽度：249 毫米（9.82 英寸）
	深度：253 毫米（9.96 英寸）
带网罩的扬声器净重	10.34 千克（22.8 磅）
装运重量	13.15 千克（29.0 磅）

重要安装信息



安装人员有责任确保扬声器和安装系统的安装都符合适用的法规，包括当地的建筑法规和规定。安装本产品前，请咨询拥有司法权的当地监管机构。

安装人员负责确保扬声器安装的安全。如果未正确安装扬声器，可能导致损坏或人员伤亡。

请勿将产品安装在可能发生冷凝的位置。



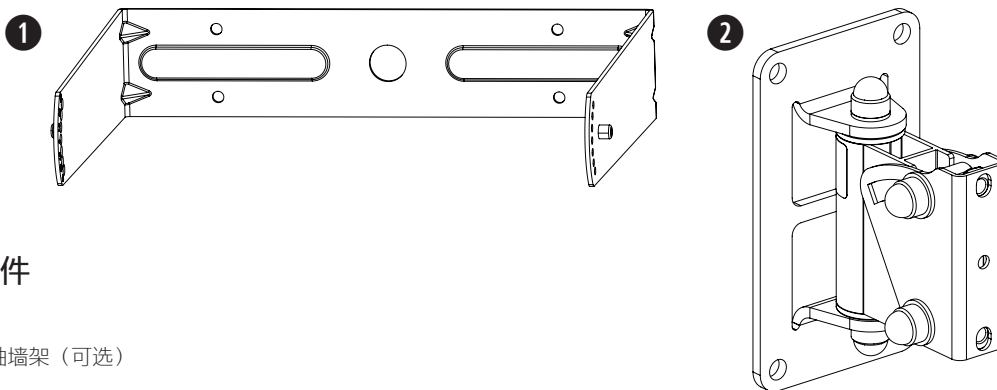
不提供用于将扬声器固定到安装表面的安装紧固件。在安装扬声器之前，请咨询建筑物专业人员以了解合适的安装紧固件。

请勿将其安装在不结实或有潜在危险的表面，比如布线或铺设管道的地方。如果您不确定如何安装支架，请联系拥有相应资质的专业安装人员。安装支架时，应确保遵循当地建筑规范的要求。



在安装此扬声器和相关的安装硬件时，请勿对产品本身或在其周边使用任何类型的烃类溶剂、润滑剂或清洗剂。暴露于此类物质中可能会导致产品塑料材料老化，从而导致产品开裂和坠落危险。

安装选件



安全选件和配件

- ❶ 安装支架（随附）
- ❷ RMUBRKT1 双轴墙架（可选）

扬声器接线

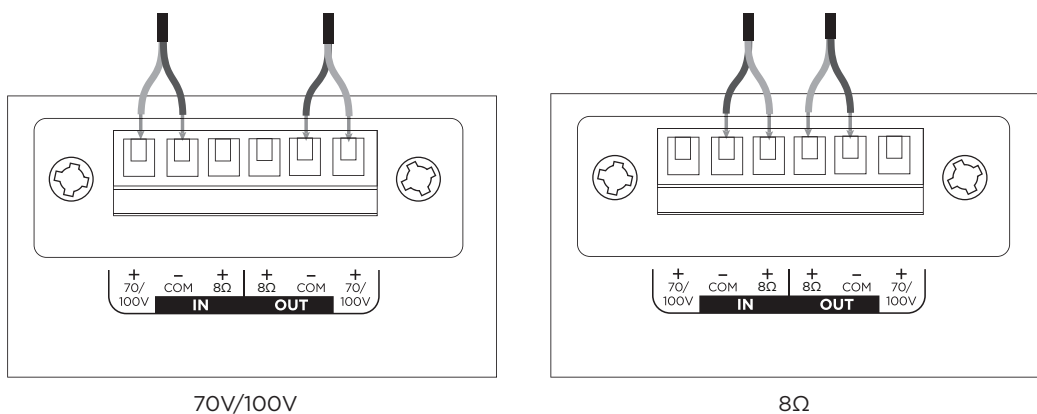
线规

DesignMax DM8S 扬声器仅可与 18 AWG（0.8 平方毫米）至 14 AWG（2.1 平方毫米）规格的接线一起使用。

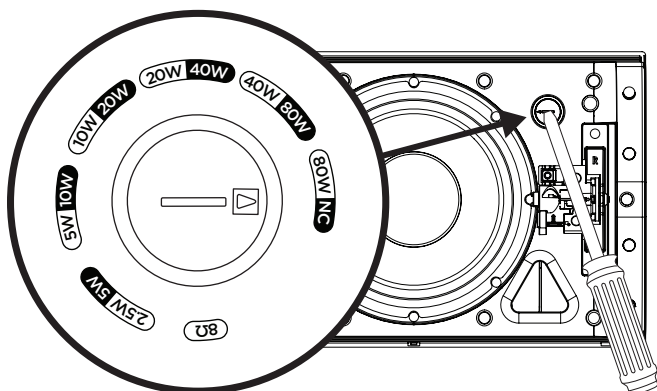
接线图

露出六毫米（¼ 英寸）长的裸线以连接到端子。

注意：扬声器不适合与硬质管子一起使用。扬声器仅适合软质管子或直接布线连接方式。



扬声器设置



70V						8Ω
2.5W	5W	10W	20W	40W	80W*	
5W	10W	20W	40W	80W	NC**	8Ω
100V						

* 出厂默认设置

** NC: 无连接（不使用）

变压器抽头设置

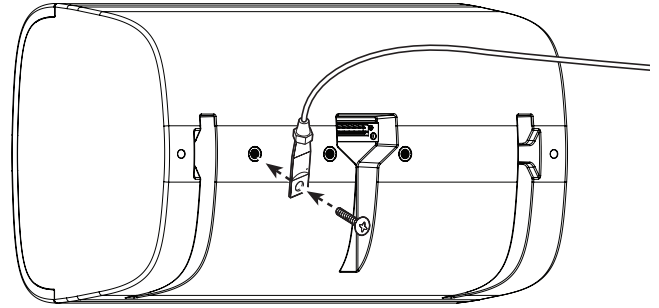
转动设置抽头。使用平头螺丝刀。

使用安全绳索

某些地区的施工规范要求使用辅助方法将扬声器固定到支撑结构，以提供额外的安全保障。选择符合当地建筑规范和条例的安装位置、方法和硬件。

可使用外壳背面的螺纹插件将一根安全绳连接到扬声器。

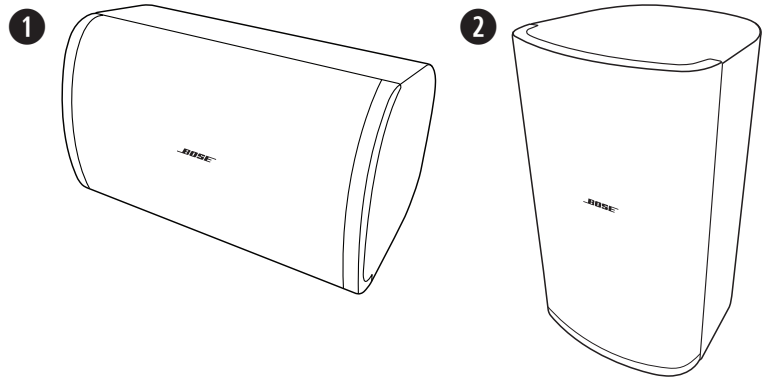
该插件适合与 M8 螺钉（未随附）配合使用。



扬声器朝向

选择最适合您安装条件的扬声器朝向。

- ① 水平
- ② 垂直

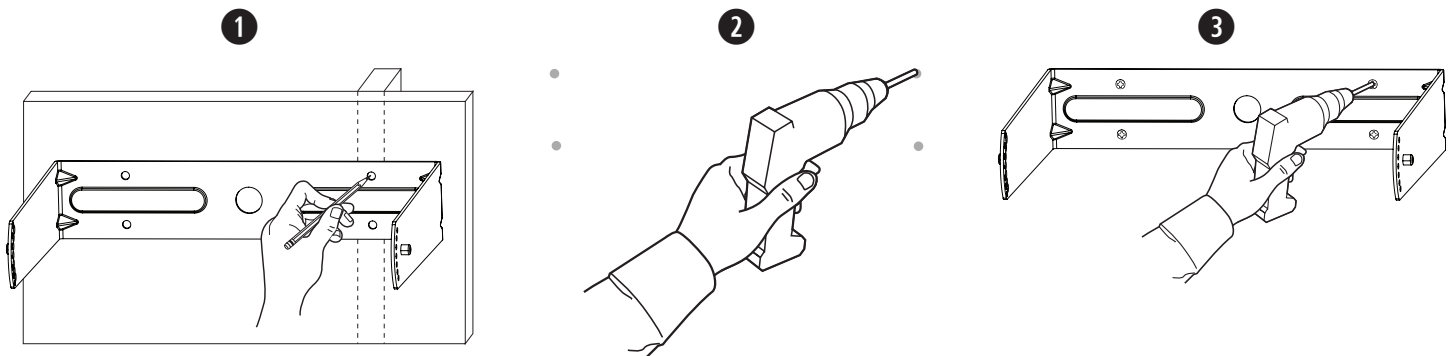


注意：安装在靠近烹饪台的位置（例如在商业烹饪环境中）时，扬声器可能直接暴露在烹饪油烟之下，这可能会降低扬声器的性能或可靠性。

安装支架

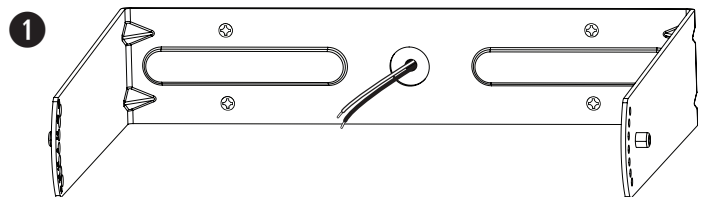
注意：选择安装位置时，必须将安装支架的至少两个连接点固定到支撑结构上。未固定到支撑结构上的连接点必须使用合适的安装紧固件进行固定。

1. 做好钻孔记号。
2. 在墙壁上钻四个孔（大小适合相应的紧固件）。
3. 使用四颗螺丝（不随附）将支架固定到墙壁上。**注意：**使用 M6 或 ¼ 英寸大小的螺钉。



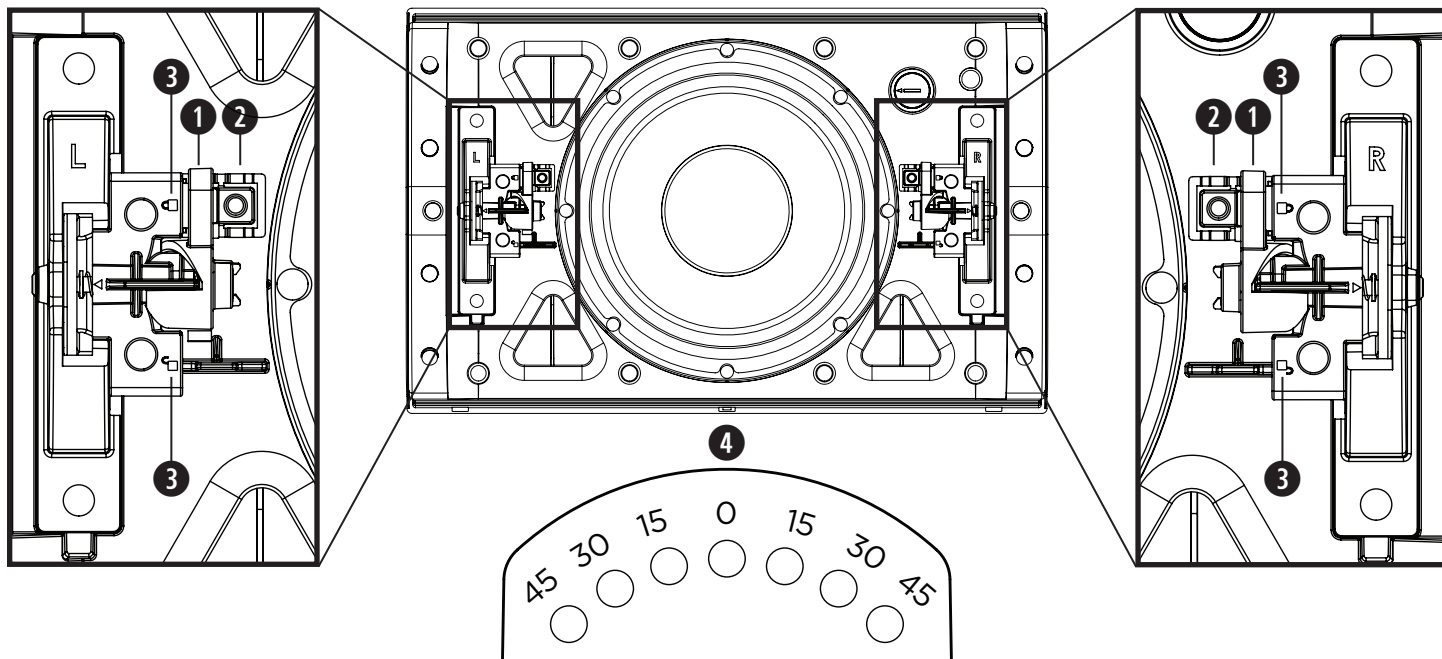
连接接线端子

1. 将接线穿过支架的中心孔。
2. 将接线端子从扬声器拆下。
3. 执行端子接线操作。有关接线信息，请参阅第 52 页的扬声器接线。



重要安装信息

- ① 锁定杆：用于将扬声器固定到壁挂支架上。将锁定杆推向锁定销可将其锁定；将锁定杆推离锁定销可以解锁。
- ② 锁定销：向下按压锁定销可将锁定杆解锁。
- ③ 锁定指示符号：用于指示锁定方向。
- ④ 角度标签（位于支架上）：用于指示您所需的角位置。



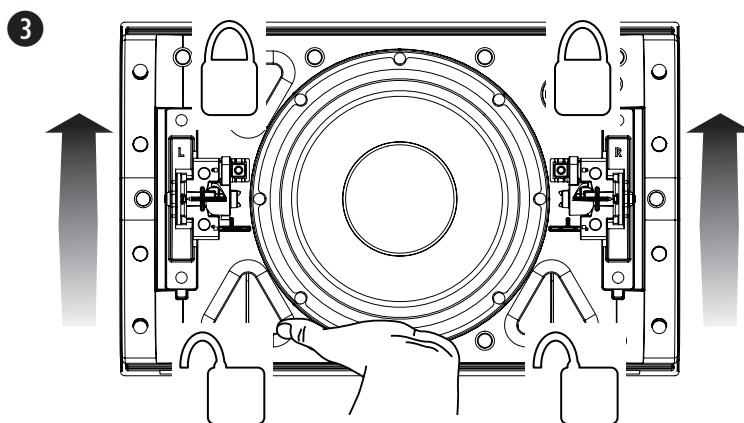
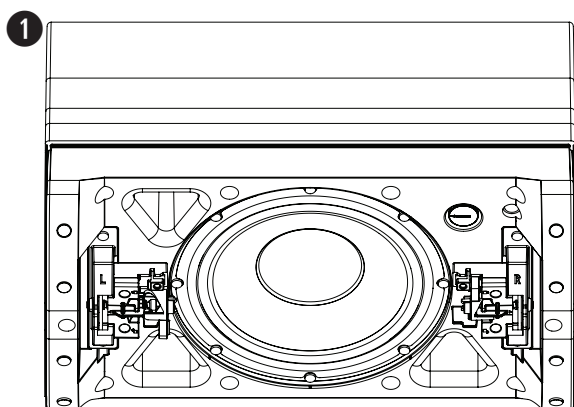
安装扬声器

注意： 扬声器出厂时锁定杆已用胶带固定。请在安装前撕下胶带。

1. 将扬声器连接到支架上，将扬声器调整到 45°，然后将控制杆锁定到位。
2. 将已经接好线的接线端子连接到扬声器。
3. 解锁控制杆并将扬声器调整到所需角度。调整扬声器角度时，请确保支撑住扬声器的重量。
注意： 扬声器的角度可以调节至 0°、15°、30° 或 45°。
4. 将锁定杆锁定到位。



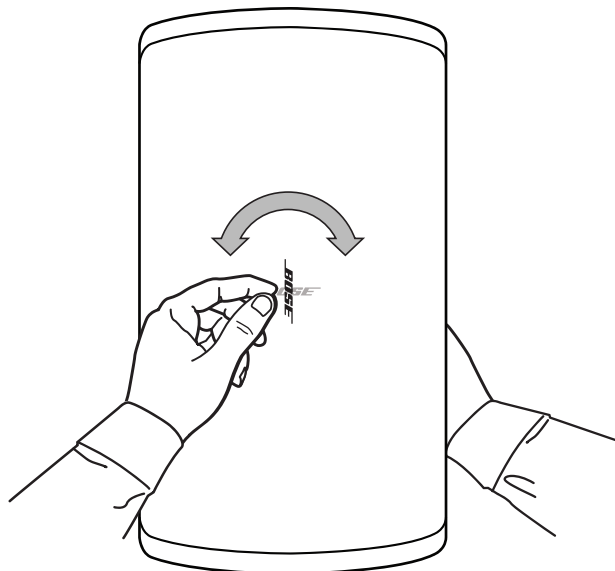
警告： 不按说明将锁定杆推入锁定位置可能会造成跌落危险，继而导致财产损失以及致人受伤甚至死亡。安装人员有责任确保按照说明安装系统。



旋转徽标

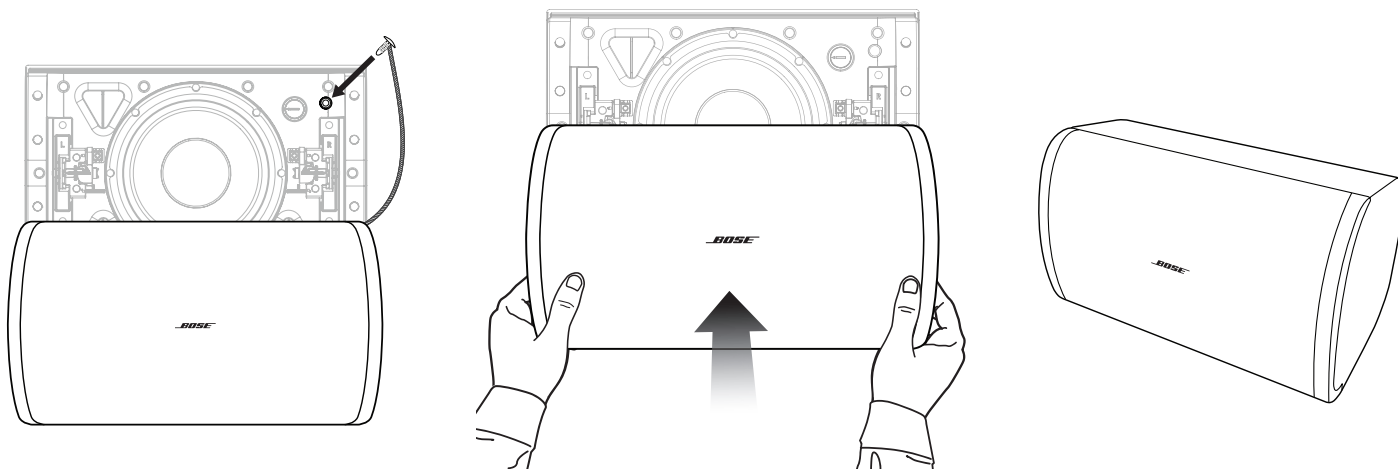
您可以旋转 Bose 徽标，使其与扬声器的方向一致。用一只手按下网罩背面的按钮。另一只手旋转徽标。徽标可顺时针或逆时针旋转。

注意：除非您想要拆下徽标，否则切勿向内挤压按钮。



安装网罩

将安全绳销插入扬声器中的安全绳销孔。用双手将网罩靠到扬声器上，确保网罩与扬声器平齐，没有间隙。网罩通过磁力固定在扬声器上。



安全与法规遵从

DesignMax DM8S 扬声器经过测试，符合以下规格和用途：

列出的扬声器符合 ANSI/UL 1480A-2016，适合商业和安全专业用途

通用 - UL 类别 UEAY，文件号 S 5591 控制号 3N89

适合使用 1 级、2 级、3 级接线方法安装，符合 NFPA 70 美国国家电气法规 (2017) 第 640 条

DesignMax DM8S 扬声器是根据以下有关组合系统的欧洲监管规范中规定的要求进行设计的：


按照 IEC60268-5 (2007) 标准进行测试。

請閱讀並保管好所有安全和使用指示。

本產品僅限由專業安裝人員安裝！本文件包含本產品採一般固定式安裝系統時的相關基本安裝資訊與安全基準，以供專業安裝人員參考。在嘗試進行安裝以前，請先閱讀本文件與所有的安全警告。

請勿自行維修本產品。如需任何維修服務，請洽授權服務中心、安裝人員、技術人員、經銷商或分銷商。若要聯絡 Bose Professional 或尋找附近的經銷商或分銷商，請造訪 BoseProfessional.com。

1. 閱讀這些指示。
2. 保留這些指示。
3. 注意所有警告。
4. 遵守所有指示。
5. 請勿在水邊使用此裝置。
6. 只能用乾布清潔。
7. 請勿堵塞任何通風口。請按照製造商的指示安裝。
8. 請勿在熱源附近安裝，如暖氣片、熱調節裝置、火爐或可發熱的其他裝置（包括擴大機）。
9. 只能使用製造商指定的附件/配件。



警告/小心

本產品含有磁性材料。請諮詢醫生以瞭解這是否會影響您的植入式醫療設備。

- 所有 Bose Professional 產品的安裝必須遵守當地、州、聯邦和行業規範。安裝人員有責任確保揚聲器和安裝系統的裝設都符合適用的法規，包括當地的建築法規和規定。安裝本產品前，請諮詢擁有司法權的當地政府機關。
- 以不安全的方式安裝或高處懸吊任何重物都可能導致嚴重的人身傷害或死亡，以及財產損失。安裝人員須負責評估其應用情形中所採用之任何安裝方式是否穩定可靠。只有具備適當五金部件知識與安全安裝技術的專業安裝人員，才可嘗試安裝任何高處懸吊揚聲器。
- 請勿將產品安裝於可能結露的位置。
- 本產品並不適合安裝或用於室內有水設施區域（包括但不限於：室內泳池、室內戲水區、熱水浴池、桑拿、蒸氣室與室內溜冰場等）。
- 請勿安裝在不穩定或有潛在危險的表面，比如佈線或鋪設管道的地方。如果您不確定如何安裝本支架，請聯絡合格的專業安裝人員。請務必遵循當地建築法規安裝支架。
- 僅限使用 Bose Professional 隨附或指定用於 DesignMax DM8S loudspeakers 揚聲器的五金部件與配件。未隨附可將揚聲器固定至安裝表面的五金部件。如需相容配件的相關資訊，請參閱 BoseProfessional.com 上的產品技術資料表。
- 使產品遠離火源和熱源。請勿將明火火源（例如點燃的蠟燭）置於本產品上或本產品附近。
- 未經授權請勿擅自改裝本產品。
- DesignMax DM8S 壁掛支架僅供型號 DM8S 使用。
- 安裝期間，請勿於本揚聲器和相連五金部件之上或附近使用任何種類的碳氫溶劑、潤滑劑或清潔劑。接觸該等物質會使塑膠材質劣化，進而導致破裂並產生墜落危險。
- 請僅使用乾布來清潔揚聲器。請勿使揚聲器接觸肥皂、去污劑、礦物油、酒精或其他清潔劑或化學品。
- 網罩配備一次性安全短繩針。

產品額定值：

輸入電壓：70V/100V


阻抗：8 Ω, 125 W


電流或功率：(70V)：2.5W、5W、10W、20W、40W、80W；

(100V)：5W、10W、20W、40W、80W

法規資訊

 本產品符合所有適用的歐盟指令要求。符合聲明全文載於：www.Bose.com/compliance。

 本產品符合所有適用的 2016 電磁相容性法規和所有其他適用的英國法規。您可以從以下位置找到完整的符合聲明：www.Bose.com/compliance

 此符號表示本產品不得以家庭廢棄物方式丟棄，而應將其送到合適的收集設施進行回收。妥善處理及回收有助於保護天然資源、人類健康和環境。如欲獲得有關處理和回收本產品的更多資訊，請聯絡當地政府機關、廢棄物處理服務或您購買本產品的商家。

台灣 BSMI 限用物質含有情況標示

設備名稱：揚聲器		型號：801332				
裝置	限制物質及其化學符號					
	鉛 (Pb)	汞 (Hg)	鎘 (Cd)	六價鉻 (Cr+6)	多溴化聯苯 (PBB)	多溴聯苯醚 (PBDE)
印刷電路板	-	○	○	○	○	○
金屬零件	-	○	○	○	○	○
塑膠零件	○	○	○	○	○	○
揚聲器	-	○	○	○	○	○
連接線	-	○	○	○	○	○

備註 1：「○」表示限制物質的濃度百分比含量未超過參考值。
備註 2：「-」表示限制物質屬於豁免項目範圍。

製造日期：序號第八位數代表製造年份；「7」代表 2007 或 2017。

中國進口商：Bose Electronics (Shanghai) Company Limited, 中國（上海）自由貿易試驗區，日櫻北路 353 號，9 號廠房 C 部

歐盟進口商：Bose Products B.V., Gorslaan 60, 1441 RG Purmerend, The Netherlands

墨西哥進口商：Bose de México, S. de R.L. de C.V., Paseo de las Palmas 405-204, Lomas de Chapultepec, 11000 México, D.F.進口商與服務資訊：+5255 (5202) 3545

台灣進口商：Bose 台灣分公司，台灣 104 台北市民生東路三段 10 號 9 樓 A1 室。電話號碼：+886-2-2514 7977

英國進口商：Bose Limited, Bose House, Quayside Chatham Maritime, Chatham, Kent, ME4 4QZ, United Kingdom

Bose 為 Bose Corporation 的商標。

DesignMax 為 Transom Post OpCo LLC 的商標。

Bose Corporation, Framingham, MA 01701, U.S.A. 1-877-230-5639

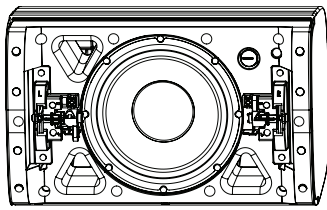
©2023 Transom Post OpCo LLC。未經事先書面許可，不得複製、修改、散佈或以其他方式使用本資料的任何部分。

保固資訊

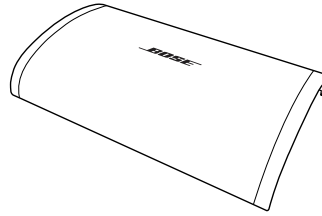
此產品享有有限保固。

如需保固詳細資料，請造訪 BoseProfessional.com/Warranty。

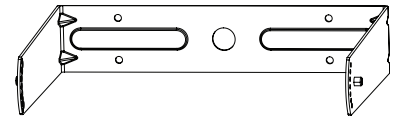
包裝內容物



× 1

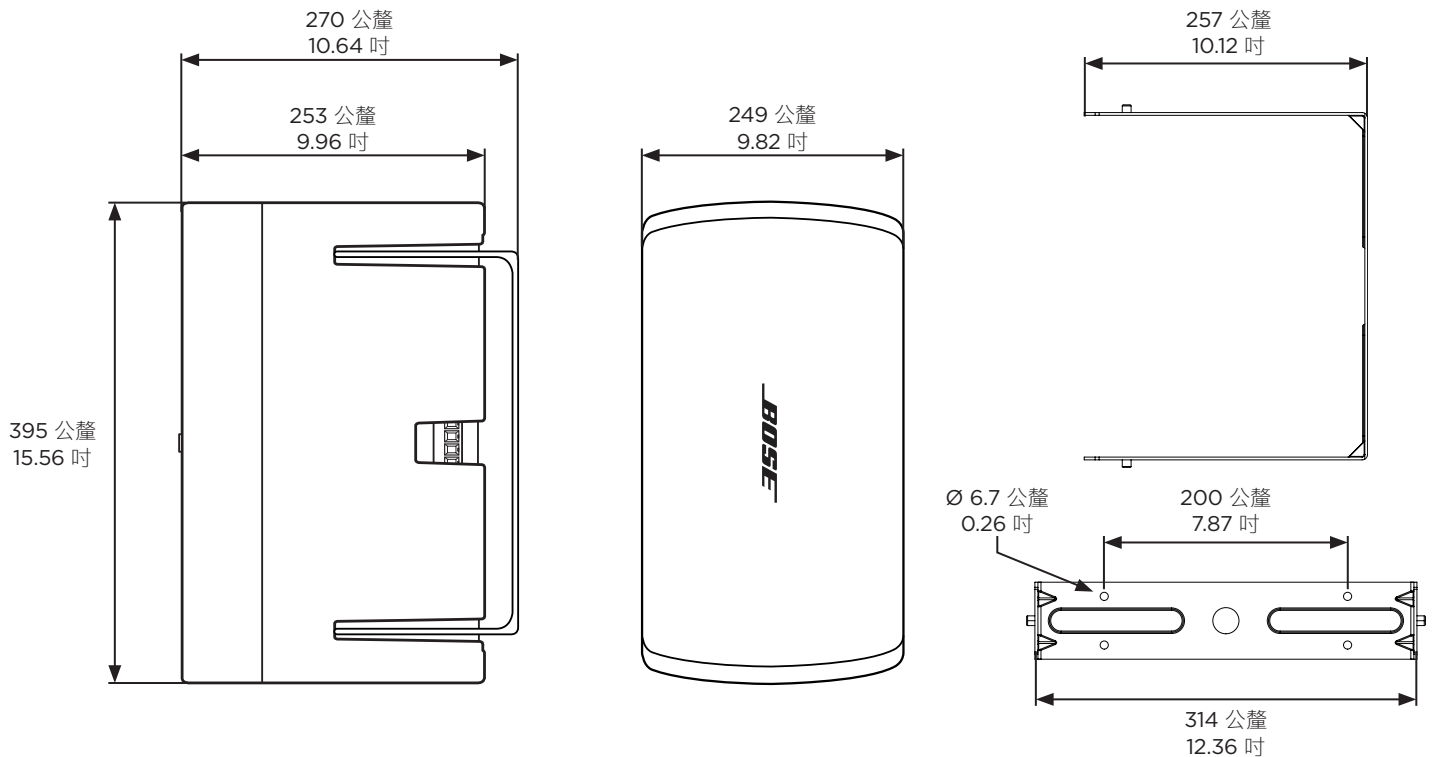


× 1



× 1

產品尺寸



技術規格

如需其他規格資訊，請參閱 BoseProfessional.com 上的 DesignMax DM8S 技術資料表。

外觀	
產品尺寸	高度：395 公釐 (15.56 吋)
	寬度：249 公釐 (9.82 吋)
	深度：253 公釐 (9.96 吋)
淨重，揚聲器加網罩	10.34 公斤 (22.8 磅)
裝運重量	13.15 公斤 (29.0 磅)

重要安裝資訊



安裝人員有責任確保揚聲器和安裝系統的裝設都符合適用的法規，包括當地的建築法規和規定。安裝本產品前，請諮詢擁有司法權的當地政府機關。

安裝人員須負責確保揚聲器安裝的安全。若未正確安裝揚聲器，則可能導致損害、傷害或死亡。

請勿將產品安裝於可能結露的位置。



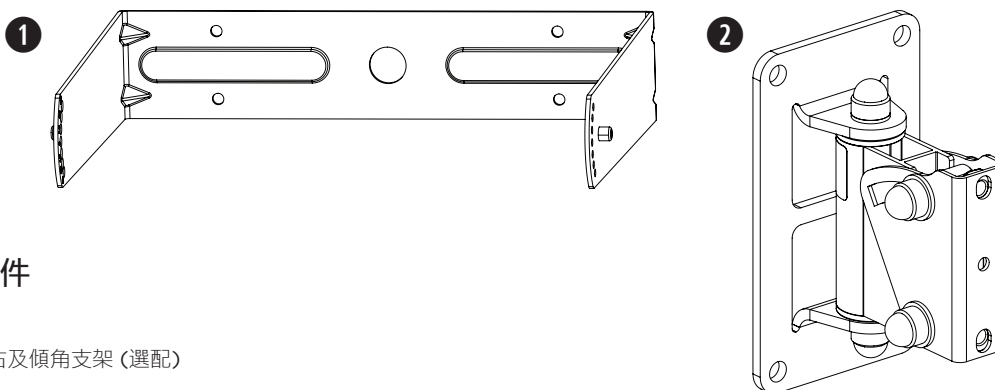
未隨附可將揚聲器固定至安裝表面的五金部件。安裝揚聲器前，請諮詢建築專業人員以取得合適的安裝五金部件。

請勿安裝在不穩定或有潛在危險的表面，比如佈線或鋪設管道的地方。如果您不確定如何安裝本支架，請聯絡合格的專業安裝人員。請務必遵循當地建築法規安裝支架。



安裝期間，請勿於本揚聲器和相連五金部件之上或附近使用任何種類的碳氫溶劑、潤滑劑或清潔劑。接觸該等物質會使塑膠材質劣化，進而導致破裂並產生墜落危險。

安裝選項



安裝選項與配件

- ❶ 安裝支架 (隨附)
- ❷ RMUBRKT1 左右及傾角支架 (選配)

揚聲器接線

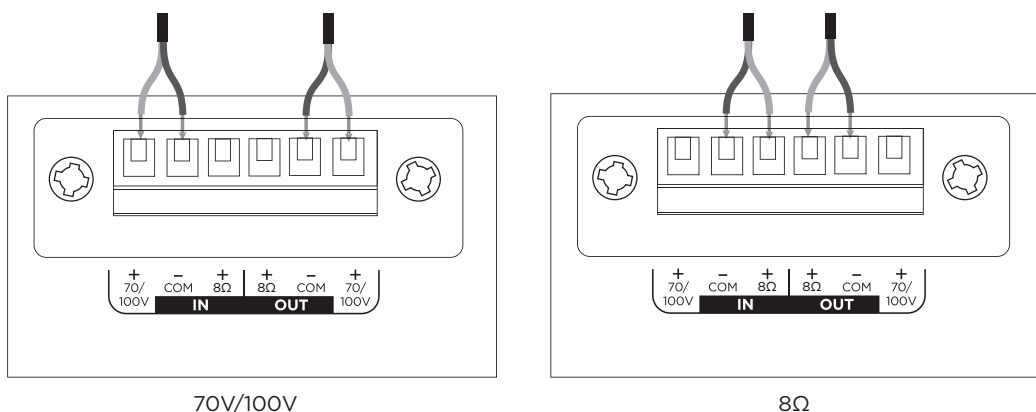
線規

DesignMax DM8S loudspeaker 揚聲器的設計僅可使用 18 AWG (0.8 mm²) 至 14 AWG (2.1 mm²) 的線材。

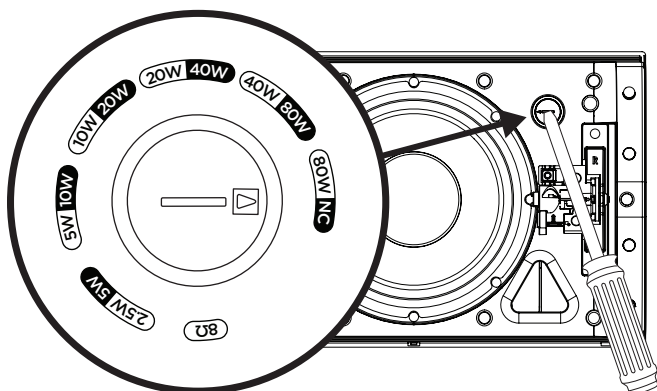
接線圖

露出六公釐 (¼ 吋) 的裸線以連接至端子。

備註：本揚聲器不適用硬式導管。
本揚聲器僅適用軟性導管或配線連接。



揚聲器設定



70V						8Ω
2.5W	5W	10W	20W	40W	80W*	
5W	10W	20W	40W	80W	NC**	
100V						

* 原廠預設

** NC: 無連線 (請勿使用)

變壓器抽頭設定

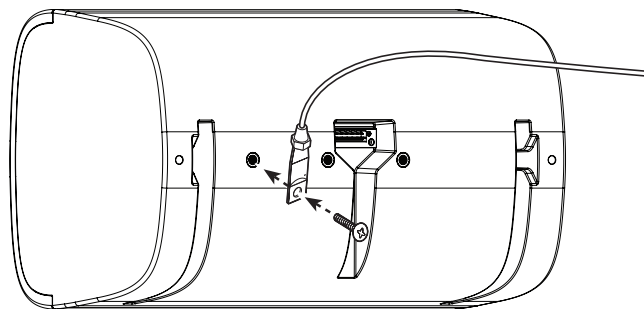
轉動以設定抽頭功率。請使用平頭螺絲起子。

使用安全纜線

部分地區的建築法規要求使用輔助方式固定揚聲器以增強結構支撐力，加強安全性。請遵守當地的建築法規和規定，選擇合適的安裝位置、方式和五金部件。

可使用外殼後方的螺絲吊點將安全纜索連接至揚聲器。

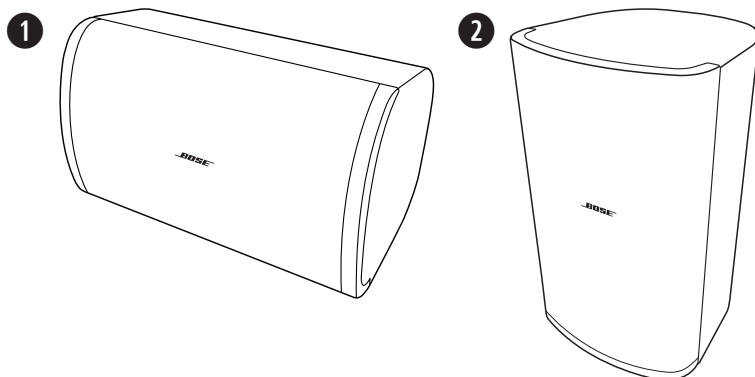
吊點尺寸適用於 M8 螺絲 (未隨附)。



揚聲器方向

選擇最適合您安裝方式的揚聲器方向。

- ① 水平
- ② 垂直

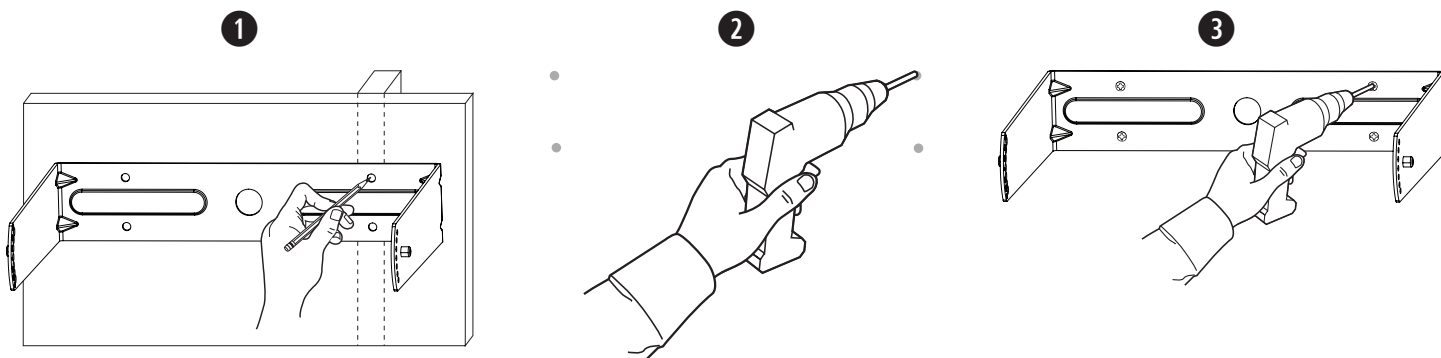


備註：若揚聲器安裝的位置靠近料理檯面，便可能直接接觸烹調油脂 (例如商業料理環境)，恐因此降低揚聲器的效能或功能性。

安裝支架

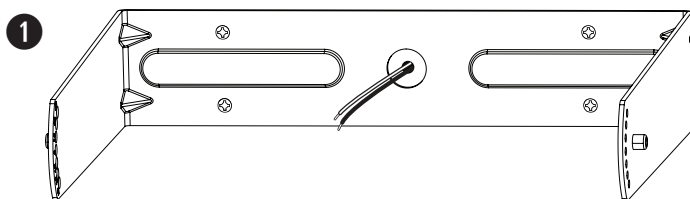
備註：選擇安裝位置時，應將至少兩個安裝支架的安裝點固定至支撐結構。未固定於支撐結構的安裝點必須使用合適的安裝五金部件進行固定。

1. 標記鑽孔。
2. 在牆面上鑽出四個鑽孔 (合適緊扣件所適用的尺寸)。
3. 使用四個螺絲將支架固定於牆面 (未隨附)。 **備註：**使用 M6 或 ¼ 吋螺絲。



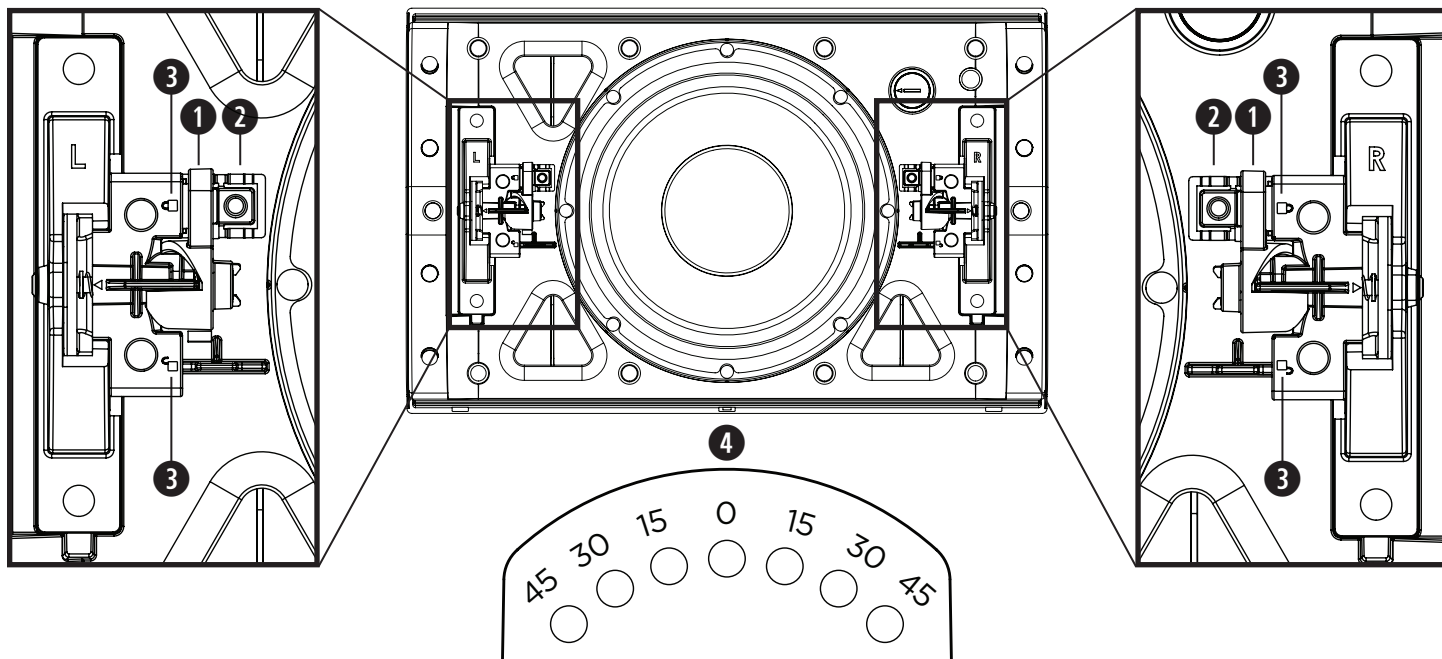
連接器接線

1. 將線路穿過支架中央孔。
2. 從揚聲器上取下連接器。
3. 將線路連接至連接器。如需瞭解配線資訊，請參見第 58 頁「揚聲器接線」。



重要安裝資訊

- ❶ 鎖定撥桿：用於將揚聲器牢固地固定在安裝支架。將鎖定撥桿往鎖定銷扣推動即可鎖定；將鎖定撥桿推離鎖定銷扣即可解鎖。
- ❷ 鎖定銷扣：按壓鎖定銷扣可以解開鎖定撥桿。
- ❸ 鎖定指示：辨識鎖定方向。
- ❹ 角度標籤 (支架上)：辨識所需的角位置。



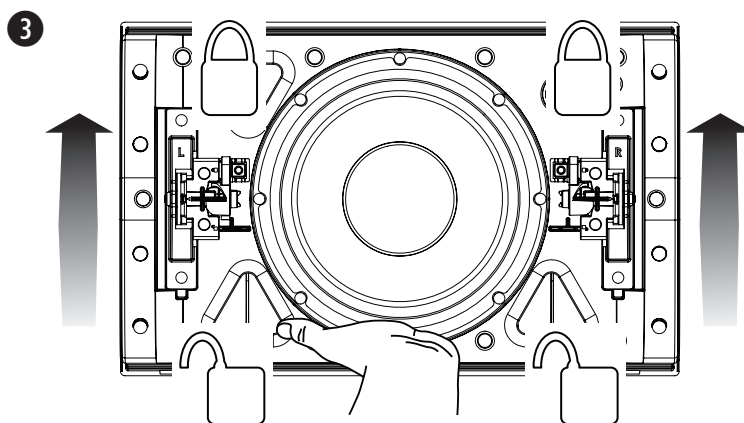
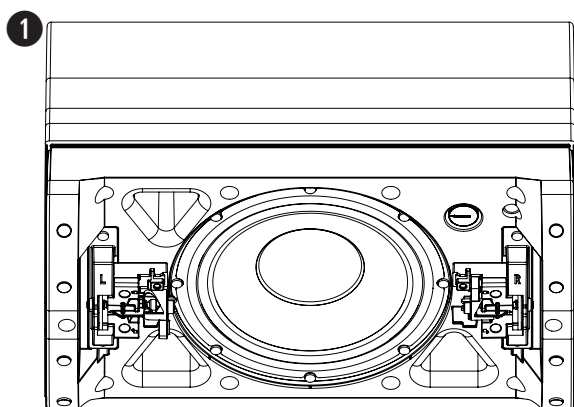
安裝揚聲器

備註： 本揚聲器出廠時，鎖定撥桿會以膠帶黏貼朝下固定。安裝前請先撕除膠帶。

1. 將揚聲器安裝至支架，調整至 45°，並將鎖定撥桿鎖至定位。
2. 將接好線的連接器安裝至揚聲器。
3. 解開鎖定撥桿，並將揚聲器調整至所需角度。當您在調整揚聲器角度時，請確實支撐住揚聲器的重量。
備註： 揚聲器角度可調整為 0°、15°、30° 或 45°。
4. 將鎖定撥桿鎖至定位。



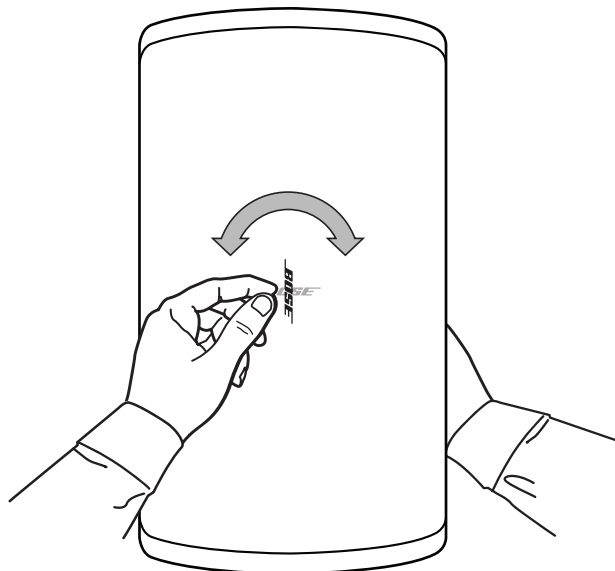
警告： 若未依指示將鎖定撥桿推入鎖定位置，可能造成墜落風險導致財產損失、嚴重人身傷害或死亡。安裝人員須負責確保安裝系統已依指示進行安裝。



旋轉標誌

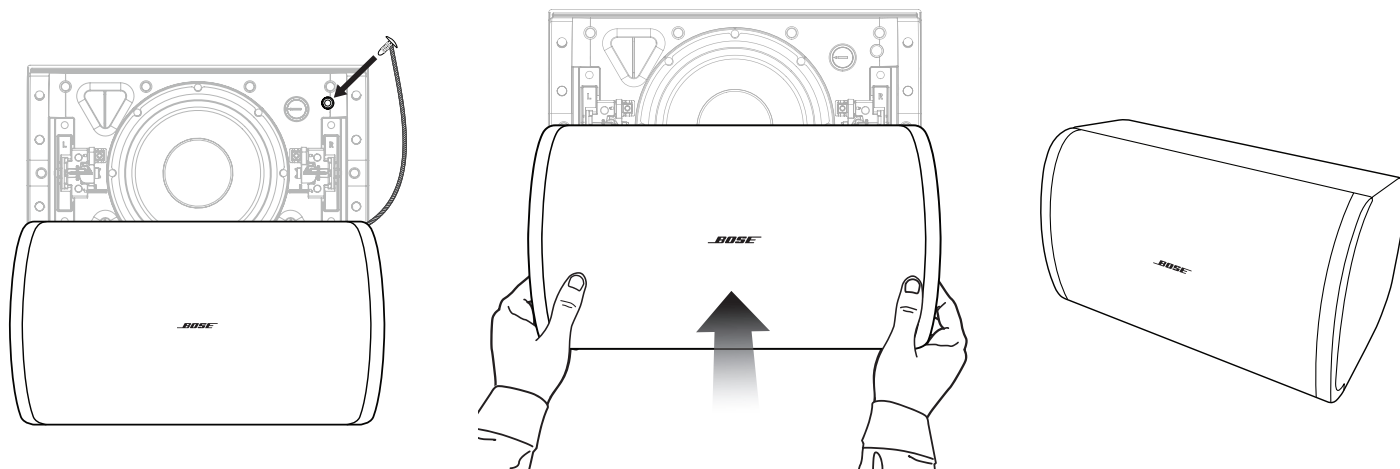
您可依照揚聲器方向旋轉 Bose 標誌。請一手按下網罩後方的按鍵，同時另一手旋轉標誌。標誌可順時針或逆時針旋轉。

備註：除非欲將標誌取下，否則請勿將按鍵向內擠壓。



安裝網罩

將安全短繩針插入揚聲器的短繩針孔洞。請使用雙手將網罩對準揚聲器，確保網罩與揚聲器齊平無縫隙。網罩會以磁力吸附在揚聲器上。



安全與規章遵循

DesignMax DM8S loudspeaker 揚聲器通過測試，且符合下列規格及用途：

名列 ANSI/UL 1480A-2016 適合商業及安全專業用途的揚聲器

一般用途 - UL Category UEAY, 案號 S 5591, 控制號 3N89

根據 NFPA 70 2017 年《National Electrical Code》(美國國家電氣規程) 第 640 條，適合使用 Class 1、Class 2、Class 3 配線方式安裝

DesignMax DM8S loudspeaker 揚聲器的設計符合下列歐洲組合系統法規所定義之要求：



經測試符合 IEC60268-5, 2007 年


安全上の留意項目および使用方法をよく読み、いつでも参照できるように保管してください。

本製品は、専門の施工業者による設置のみを想定した製品です。本書は、一般的な固定設置システムにおける本製品を対象に、基本的な設置と安全上のガイドラインを施工業者様に提供します。設置する前に、本書とすべての安全に関する警告をお読みください。

ご自身で製品を修理しないでください。修理が必要な際には、正規サービスセンター、Bose Professional認定の施工業者、技術者、ディーラーまたはディストリビューターにお問い合わせください。Bose Professionalに連絡する、またはお近くのディーラーまたはディストリビューターを検索するには、BoseProfessional.comにアクセスしてください。

- このガイドをよくお読みください。
- 必要な時にご覧になれるよう、本書を保管してください。
- すべての注意事項に留意してください。
- すべての指示に従ってください。
- この製品を水の近くで使用しないでください。
- 清掃の際は乾いた布を使用してください。
- 通気孔は塞がないでください。製造元の指示に従って設置してください。
- ラジエータ、暖房送風口、ストーブ、その他の熱を発生する装置(アンプを含む)の近くには設置しないでください。
- 必ず製造元より指定された付属品、あるいはアクセサリのみをご使用ください。


警告／注意




この製品には磁性材料が含まれています。体内に埋め込まれている医療機器への影響については、医師にご相談ください。

- Bose Professional製品を設置する際は、必ず地域と業界指導の安全基準に従ってください。各地域の建築に関する条例や規制など、適用される全ての法律に従って本製品およびそのマウントシステムを設置することは施工業者の責任です。本製品を設置する前に、各地域の管轄官庁に相談してください。
- 重量物の不安定な設置や頭上吊り下げは、重傷または死亡、および設備機器等への損傷の原因となる可能性があります。適用する設置方法の信頼性を評価することは、施工業者の責任です。適切な部品および安全な設置技術の知識を持つ専門の施工業者のみが、天井へのスピーカーの設置を行うことができます。
- 結露の可能性がある場所に製品を設置しないでください。
- この製品は屋内の水を使用するエリア(屋内プール、屋内ウォータerpark、浴室、サウナ、スチームサウナ、屋内スケートリンクなど)での設置または使用を意図していません。
- 設置面の強度が不十分な場合や、設置面の裏側に電線や配管などが隠れている場合は、本製品を設置しないでください。ブラケットの取り付け方法がわからない場合は、専門業者に作業を依頼してください。ブラケットを取り付ける際は、建築関連法規に従ってください。
- DesignMax DM8S loudspeakersには、本体付属またはBose Professional指定の取り付け部品およびアクセサリのみをご使用ください。本スピーカーを取り付け面に固定するための器具は付属していません。使用可能なアクセサリの詳細については、BoseProfessional.comに用意されている、本製品のテクニカルデータシートを参照してください。
- 火気や熱源などの近くで使用しないでください。火の付いたろうそくなどの火気を、製品の上や近くに置かないでください。
- 許可なく製品を改造しないでください。
- DesignMax DM8Sに付属している壁面取り付けブラケットは、モデルDM8S専用です。
- 設置時に炭化水素を基材とする一切の溶剤、潤滑剤、または洗剤をこのスピーカーや取り付け部品に対して、またはその周辺に使用しないでください。製品がこうした物質に触れると、プラスチック素材の劣化につながり、ひび割れが生じて落下事故を招くおそれがあります。
- スピーカーの汚れ落としには、必ず乾いた布をお使いください。スピーカーを石けん、洗剤、鉱油、アルコールなどの洗剤、化学薬品に触れる可能性がある場所で使用しないでください。
- 単体で使用する安全ストラップピンがグリルに付属しています。

仕様:

入力電圧: 70V/100V

インピーダンス: 8 Ω, 125 W

電流またはパワー: (70V): 2.5W, 5W, 10W, 20W, 40W, 80W (100V): 5W, 10W, 20W, 40W, 80W

規制に関する情報



This product conforms to all applicable EU directive requirements. The complete declaration of conformity can be found at www.Bose.com/compliance.



この製品は、すべての適用される電磁両立規則2016およびその他のすべての適用される英国の規制に準拠しています。完全な適合宣言書については、次のサイトを参照してください。

www.Bose.com/compliance



This symbol means the product must not be discarded as household waste, and should be delivered to an appropriate collection facility for recycling. Proper disposal and recycling helps protect natural resources, human health and the environment. For more information on disposal and recycling of this product, contact your local municipality, disposal service, or the shop where you bought this product.

製造日: シリアル番号の8桁目の数字は製造年を表します。「7」は2007年または2017年です。

中国における輸入元: Bose Electronics (Shanghai) Company Limited, Part C, Plant 9, No. 353 North Ruying Road, China (Shanghai) Pilot Free Trade Zone

EUにおける輸入元: Bose Products B.V., Gorslaan 60, 1441 RG Purmerend, The Netherlands

メキシコにおける輸入元: Bose de México, S. de R.L. de C.V., Paseo de las Palmas 405-204, Lomas de Chapultepec, 11000 México, D.F. 輸入元およびサポート情報: +5255(5202) 3545

台湾における輸入元: Bose Taiwan Branch, 9F-A1, No. 10, Section 3, Minsheng East Road, Taipei City 104, Taiwan. Phone Number: +886-2-2514 7676

英国における輸入元: Bose Limited, Bose House, Quayside Chatham Maritime, Chatham, Kent, ME4 4QZ, United Kingdom

Bose は Bose Corporation の商標です。

DesignMax は Transom Post OpCo LLC の商標です。

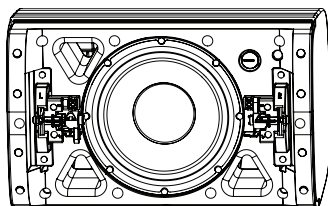
Bose Corporation, Framingham, MA 01701, U.S.A. 1-877-230-5639

©2023 Transom Post OpCo LLC. 本書のいかなる部分も、書面による事前の許可のない複製、変更、配布、その他の使用は許可されません。

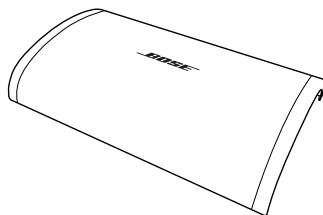
保証情報

保証の内容および条件につきましては、付属の保証書をご覧ください。保証の詳細については、BoseProfessional.com/Warrantyをご覧ください。

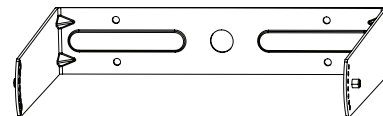
パッケージ内容



×1

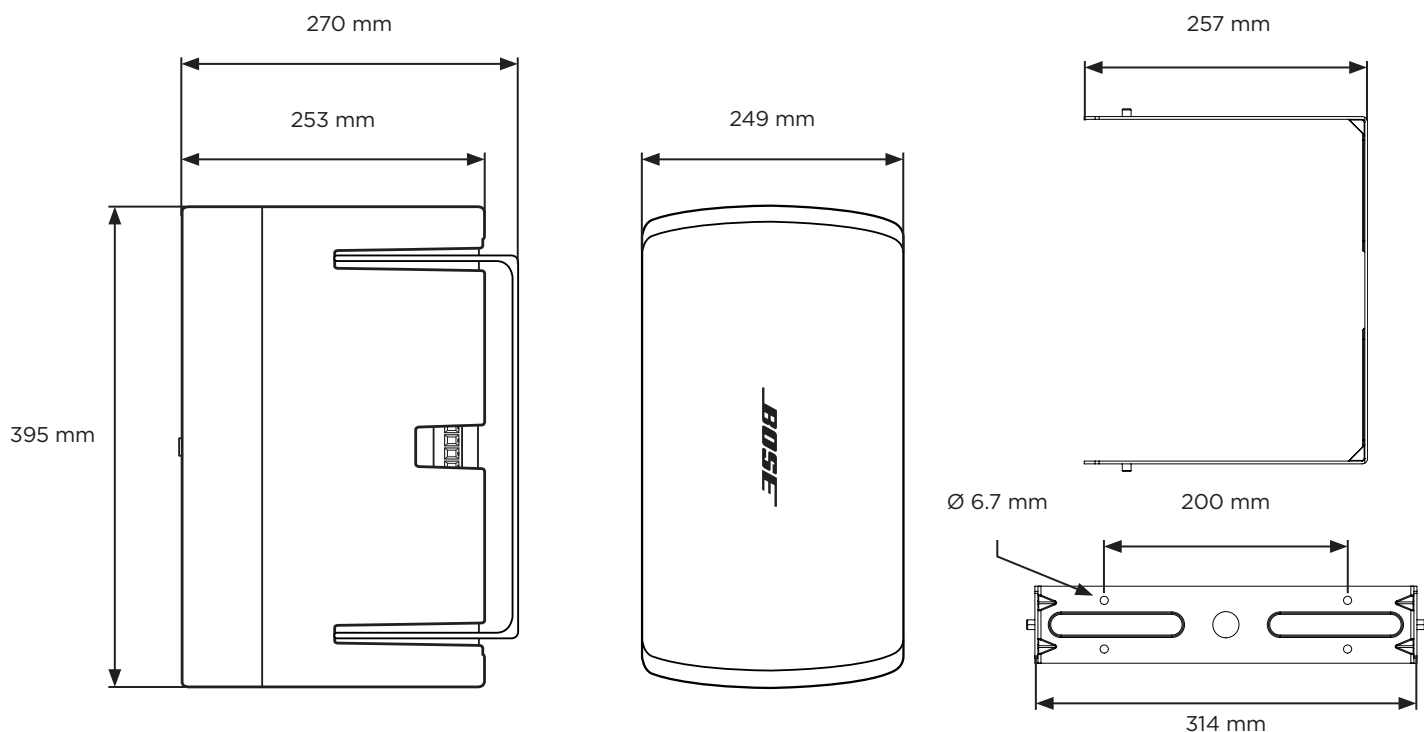


×1



×1

製品寸法



技術仕様

詳細な仕様は、BoseProfessional.comに用意されている、DesignMax DM8Sのテクニカルデータシートを参照してください。

物理的仕様	
製品寸法	高さ: 395 mm
	幅: 249 mm
	奥行き: 253 mm
質量(スピーカーとグリル)	約10.34 kg
梱包質量	約13.15 kg

設置に関する重要情報



各地域の建築に関する条例や規制など、適用される全ての法律に従って本製品およびそのマウントシステムを設置することは施工業者の責任です。本製品を設置する前に、各地域の管轄官庁に相談してください。

スピーカー設置時の安全確保は、施工業者の責任で実施してください。スピーカーの設置が不適切だった場合、損傷、人身への傷害、死亡事故等の原因となるおそれがあります。



結露の可能性がある場所に製品を設置しないでください。

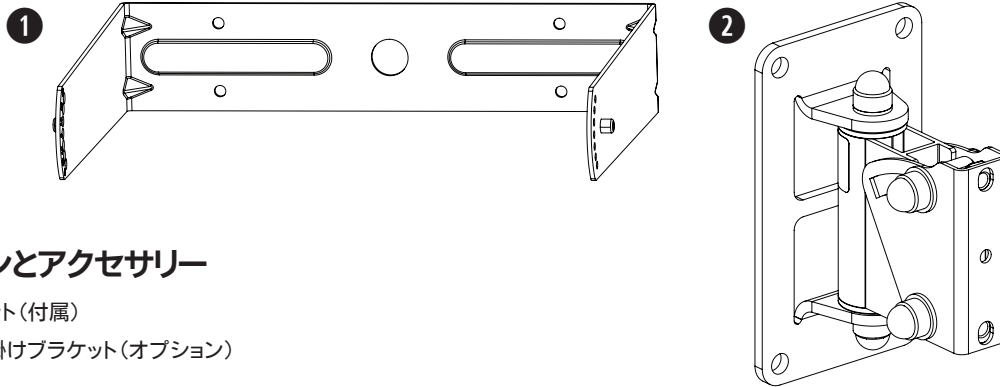
本スピーカーを取り付け面に固定するための器具は付属していません。スピーカーを設置する前に、適切な取り付け器具について建築の専門業者に相談してください。



設置面の強度が不十分な場合や、設置面の裏側に電線や配管などが隠れている場合は、本製品を設置しないでください。ブラケットの取り付け方法がわからない場合は、専門業者に作業を依頼してください。ブラケットを取り付ける際は、建築関連法規に従ってください。

設置時に炭化水素を基材とする一切の溶剤、潤滑剤、または洗浄剤をこのスピーカーや取り付け部品に対して、またはその周辺に使用しないでください。製品がこうした物質に触れると、プラスチック素材の劣化につながり、ひび割れが生じて落下事故を招くおそれがあります。

設置オプション



設置オプションとアクセサリ

- ① 取り付けブラケット (付属)
- ② RMUBRKT1 壁掛けブラケット (オプション)

スピーカーの配線

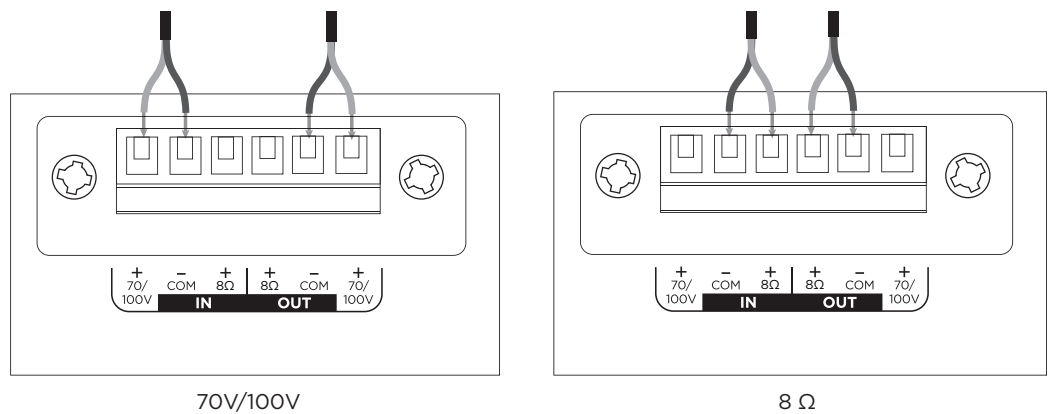
ケーブルゲージ

DesignMax DM8S loudspeakers で使用できるケーブル径は、18 AWG (0.8 mm²) ~ 14 AWG (2.1 mm²) のみです。

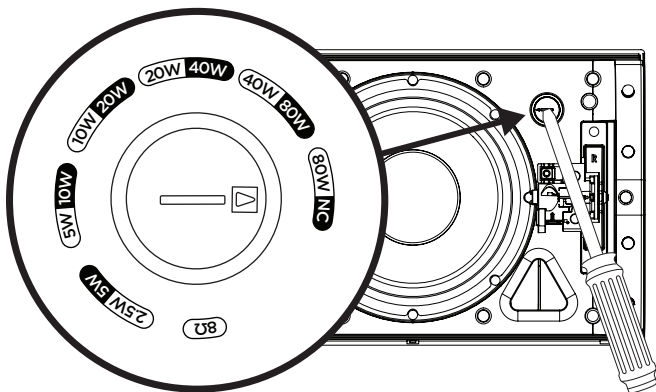
接続図

裸線を長さ6 mm (1/4インチ) 露出して端子に接続します。

注: 本スピーカーは、固定導管の使用には対応しておらず、フレキシブル導管またはケーブル接続のみに適しています。



スピーカーの設定



70V						8Ω
2.5W	5W	10W	20W	40W	80W*	
5W	10W	20W	40W	80W	NC**	
100V						

*工場出荷時設定

**NC: 未接続 (使用しない)

トランスフォーマータップの設定

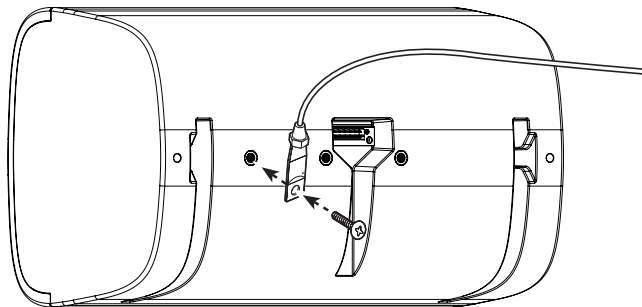
回転させてタップを設定します。マイナスドライバーを使用します。

安全ケーブルの使用

お住まいの地域により、安全性の強化のため、スピーカーの構造物に対する固定に二次的な方法も用いることが法令により義務づけられている場合があります。適用される建築基準や規制を満たす設置場所や設置方法、器具を選択してください。

本スピーカーに安全ケーブルを取り付けるときは、筐体の背面にあるネジ穴を使用してください。

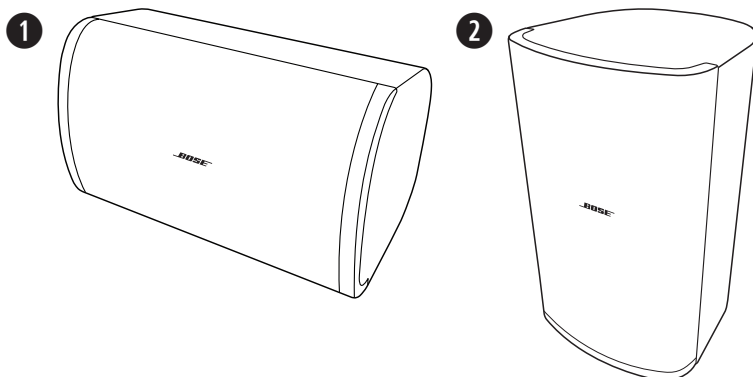
穴はM8ねじ(付属しません)のサイズです。



スピーカーの向き

設置環境に最適なスピーカーの向きを選択します。

- ① 横向き
- ② 縦向き

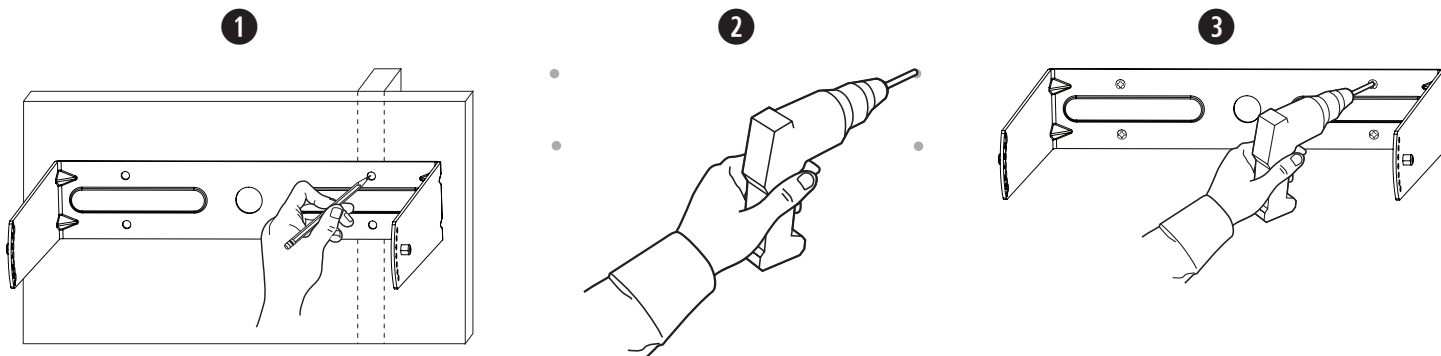


注: スピーカーは、食用油に直接晒される可能性がある加熱調理スペース(商業店舗の厨房など)の近くに設置すると、性能や機能が低下するおそれがあります。

ブラケットを取り付ける

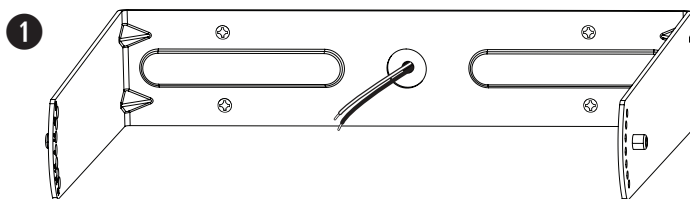
注: 取り付け位置を決める際、取り付けブラケットの取り付けポイント(2箇所以上)を、支持構造に固定する必要があります。取り付けポイントが支持構造にしっかり固定されない場合、取り付ける際に適切な器具を使用して固定してください。

1. 穴を空ける位置に印を付けます。
2. 壁に穴を4つ(使用する留め具の大きさ)開けます。
3. ネジを4つ(付属していません)使い、ブラケットを壁に固定します。注: M6または $\frac{1}{4}$ インチサイズのネジを使います。



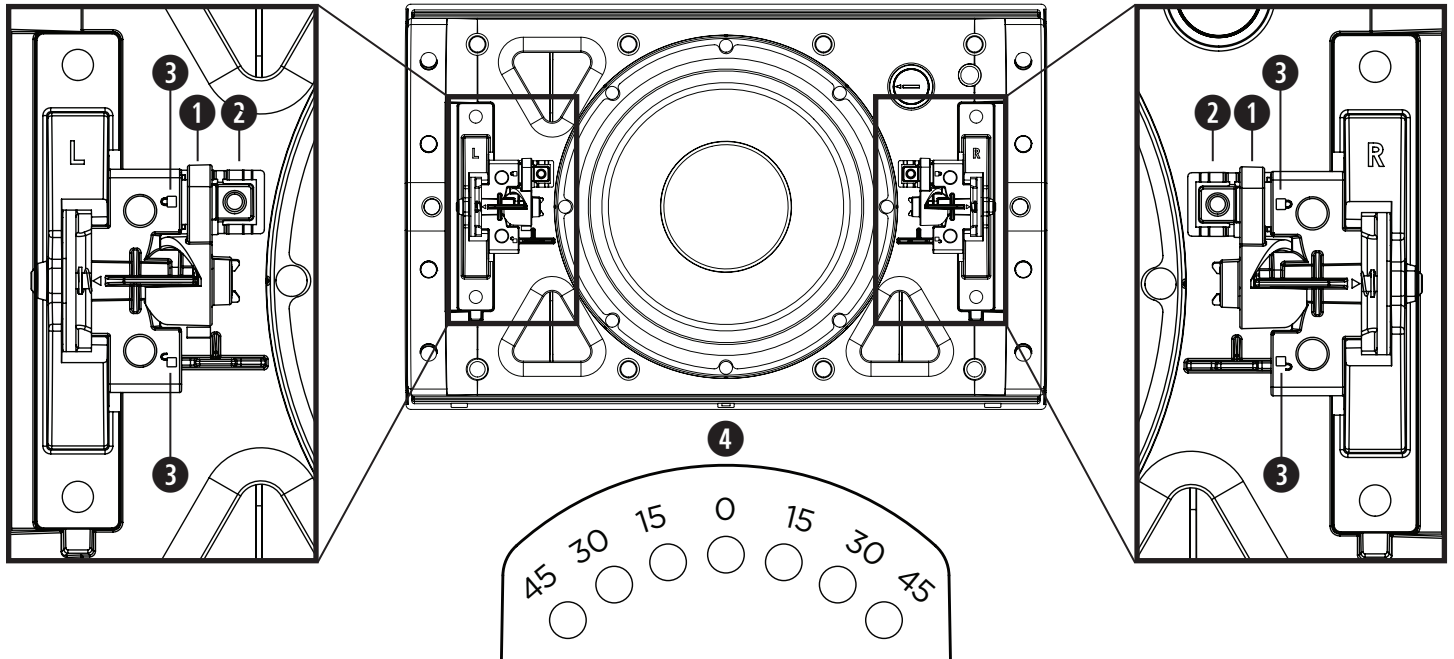
コネクターを配線する

1. ケーブルは、ブラケットの中央の穴を通します。
2. スピーカーからコネクターを外します。
3. コネクターを配線します。配線について詳しくは、「スピーカーの配線」(64ページ)を参照してください。



取り付けに関する重要な情報

- ① **ロックレバー:** スピーカーを取り付けブラケットに固定するために使用します。ロックするときは、ロックピン方向にレバーを押します。ロックを解除するときは、逆方向に押します。
- ② **ロックピン:** ピンを押し込むと、レバーのロックが解除されます。
- ③ **ロックインジケータ:** ロック方向を示しています。
- ④ **角度ラベル(ブラケット):** 角度位置を示しています。



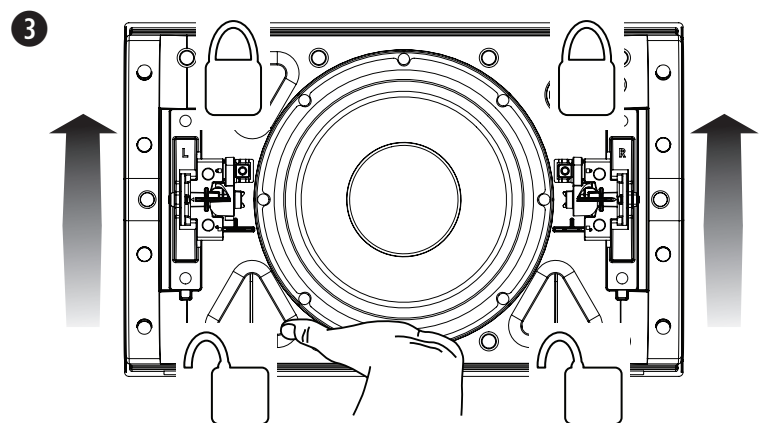
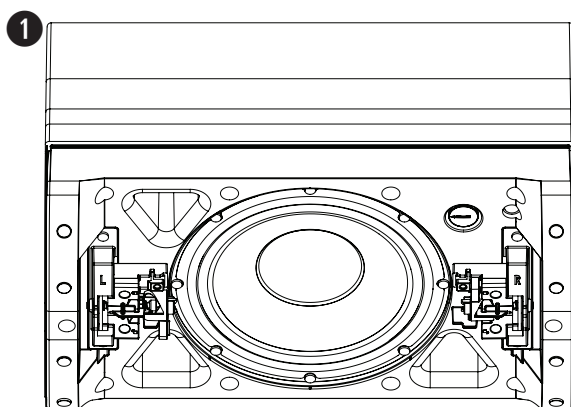
スピーカーを取り付ける

注: 本スピーカーは、ロックレバーにテープが貼られた状態で出荷されます。取り付けの前に、テープを剥がしてください。

1. ブラケットにスピーカーを取り付け、スピーカーの角度が45°になるように調節し、レバーをロック位置に固定します。
2. 配線済みのコネクタをスピーカーに取り付けます。
3. レバーのロックを解除し、目的の角度になるようにスピーカーを調節します。スピーカーの角度を調節する際、スピーカーの重量が支えられていることを確認します。
注: スピーカーの角度は、0°、15°、30°、45°に調節できます。
4. レバーをロック位置に固定します。



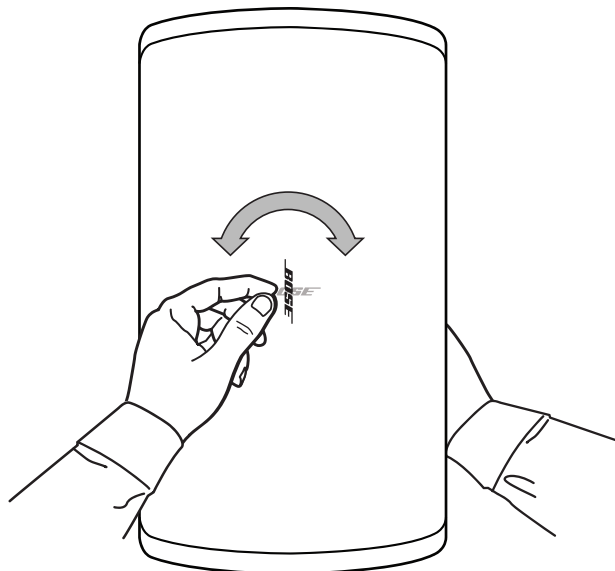
警告: 指示通りにレバーがロック位置まで押し込まれていないと、スピーカーが落下して、設備機器等の損傷、重傷、最悪の場合は死亡の原因になるおそれがあります。設置者の責任において、指示通りに取り付けシステムを設置してください。



ロゴの向きを調整する

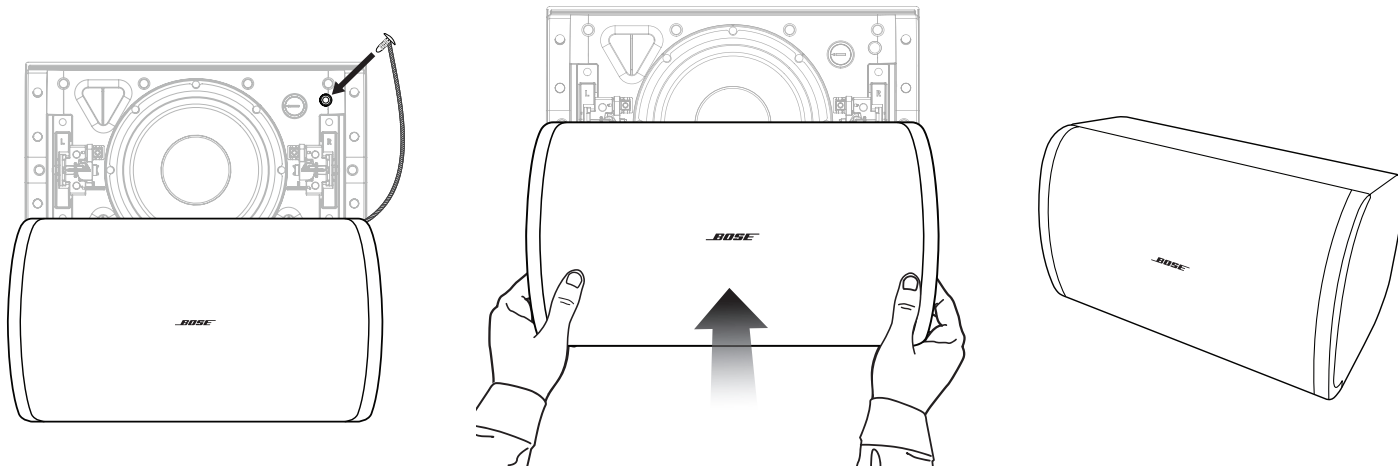
Boseロゴは、回転させてスピーカーの向きに合わせることができます。片方の手で、グリル背面にあるボタンを押します。もう一方の手で、ロゴを回します。ロゴは時計回りと反時計回りの両方に回ります。

注: ロゴを外すとき以外は、ボタンを内側向きに押し込まないようにしてください。



グリルを取り付ける

安全ストラップピンをスピーカーのストラップピン穴に挿入します。両手を使い、グリルとスピーカーの位置を合わせます。この際、グリルとスピーカーがぴったり合い、隙間ができないようにします。グリルは磁石でスピーカーに固定されます。



安全上のコンプライアンス

DesignMax DM8S loudspeakersは幅広いテストに合格しており、次の仕様と用途に準拠しています。

ANSI/UL 1480A-2016のSpeakers for Commercial & Safety Professional Useに準拠
 一般用途向けの使用 - UL Category UEAY, File Number S 5591 Control Number 3N89
 NFPA 70、米国電気工事規程(2017年、第640条)に準拠したクラス1、クラス2、クラス3の配線による設置に対応

DesignMax DM8S loudspeakersは、コンビネーションシステム向けの以下の欧州規制仕様で規定されている要件に適合するように作られています。
 IEC60268-5準拠試験を実施、2007年

يُرجى قراءة كل إرشادات السلامة والاستخدام والاحتفاظ بها.

هذا المنتج مصمم للتركيب بواسطة فنيي التركيب المتخصصين فقط! يهدف هذا المستند إلى تزويد فنيي التركيب المحترفين بإرشادات التركيب والسلامة الأساسية لهذا المنتج في أنظمة التركيب الثابت النموذجية. يُرجى قراءة هذا المستند وكل تحذيرات السلامة قبل محاولة التركيب.

لا تحاول صيانة هذا الجهاز بنفسك. بل قم بإحالة جميع أعمال الصيانة إلى مراكز الخدمات أو متخصصي التركيب أو الفنيين أو الوكلاء أو الموزعين المعتمدين. للتواصل مع خبير من Bose Professional أو للعثور على وكيل أو موزع بالقرب منك، تفضل بزيارة موقع الويب BoseProfessional.com.

1. اقرأ هذه الإرشادات.
2. احتفظ بهذه الإرشادات.
3. انتبه إلى كل التحذيرات.
4. اتبع كل الإرشادات.
5. لا تستخدم هذا الجهاز بالقرب من الماء.
6. لا تستخدم سوى قطعة قماش جافة لتنظيف الجهاز.
7. لا تقم بسد أي فتحات للتهوية. ركب المنتج وفقاً لإرشادات الشركة المصنّعة.
8. لا تتركب المنتج بالقرب من أي مصادر للحرارة، مثل أجهزة التدفئة أو فتحات التدفئة أو المواقد أو غيرها من الأجهزة (بما في ذلك مضخمات الصوت) التي ينتج عنها حرارة.
9. لا تستخدم سوى المرفقات/الملحقات التي تحددها الشركة المصنّعة.

المعلومات التنظيمية

يتوافق هذا المنتج مع كل متطلبات توجيه الاتحاد الأوروبي المعمول بها. ويمكنك العثور على البيان الكامل للتوافق على: www.Bose.com/compliance



يتوافق هذا المنتج مع جميع لوائح التوافق الكهرومغناطيسي المعمول بها لعام 2016 وجميع لوائح المملكة المتحدة الأخرى المعمول بها. ويمكن العثور على إعلان المطابقة الكامل في الموقع التالي: www.Bose.com/compliance



يشير هذا الرمز إلى أنه يجب عدم التخلص من المنتج مع النفايات المنزلية ويجب تسليمه إلى منشأة مناسبة لجمع النفايات بهدف إعادة تدويره. ويساعد التخلص السليم وإعادة التدوير في حماية الموارد الطبيعية وصحة الإنسان والبيئة. للحصول على مزيد من المعلومات حول التخلص من هذا المنتج وإعادة تدويره، اتصل بالبلدية المحلية أو خدمة التخلص من النفايات أو المتجر الذي اشتريته منه هذا المنتج.



تاريخ التصنيع: يشير الرقم الثامن في الرقم التسلسلي إلى سنة التصنيع؛ حيث يشير الرقم "7" إلى 2007 أو 2017.

المستورد في الصين: Bose Electronics (Shanghai) Company Limited, Part C, Plant 9, No. 353 North Riyang Road, China (Shanghai) Pilot Free Trade Zone

المستورد في الاتحاد الأوروبي: Bose Products B.V., Gorslaan 60, 1441 RG Purmerend, The Netherlands

المستورد في المكسيك: Bose de México, S. de R.L. de C.V., Paseo de las Palmas 405-204, Lomas de Chapultepec, 11000 México, D.F. المستورد والخدمة: 3545 (5202) 5255+

المستورد في تايوان: Bose Taiwan Branch, 9F-A1, No. 10, Section 3, Minsheng East Road, Taipei City 104, Taiwan +886-2-2514 7676 رقم الهاتف:

المستورد في المملكة المتحدة: Bose Limited, Bose House, Quayside Chatham, ME4 4QZ, بالمملكة المتحدة

Bose هي علامة تجارية لشركة Bose Corporation.

DesignMax هي علامة تجارية لشركة Transom Post OpCo LLC.

Bose Corporation, Framingham, MA 01701, U.S.A. 1-877-230-5639

حقوق الطباعة والنشر © للعام 2023 لشركة Transom Post OpCo LLC. يجب عدم استنساخ أي جزء من هذا المستند أو تعديله أو توزيعه أو حتى استخدامه بدون إذن خطي مسبق.

معلومات حول الضمان

يأتي هذا المنتج مع ضمان محدود.

للحصول على تفاصيل حول الضمان، تفضل بزيارة BoseProfessional.com/Warranty.



تحذيرات/تنبيهات



يحتوي هذا المنتج على مادة مغناطيسية. استشير طبيبك لمعرفة ما إذا كان سيؤثر ذلك في أي أجهزة طبية مزروعة في جسمك.



- يجب تركيب كل منتجات Bose Professional وفقاً للوائح المحلية والحكومية والفيديالية والصناعية. يتحمل فني التركيب المتخصص مسؤولية ضمان تنفيذ عملية تركيب مكبرات الصوت ونظام التثبيت بالتوافق مع كل القوانين المعمول بها، بما في ذلك قوانين ولوائح البناء المحلية. يرجى مراجعة السلطات المحلية صاحبة الاختصاص قبل تركيب هذا المنتج.
- قد يتسبب التثبيت أو التعليق العلوي غير الآمن لأي حمل ثقيل بوقوع إصابات خطيرة أو الوفاة، وتلف الممتلكات. وتقع على عاتق فني التركيب مسؤولية تقييم مدى موثوقية أي طريقة تثبيت يتم استخدامها. يجب ألا يحاول تركيب أي مكبرات صوت علوية التعليق إلا فنيي التركيب المحترفين الذين يتمتعون بالمعرفة اللازمة بالمعدات المناسبة وطرق التثبيت الآمنة.
- لا تقم بتركيب هذا المنتج في الأماكن التي قد يحدث فيها تكتيف.
- هذا المنتج غير مصمم للتركيب أو الاستخدام داخل مرافق المياه في الأماكن المغلقة (بما في ذلك، على سبيل المثال لا الحصر، حمامات السباحة الداخلية والحدائق المائية المغلقة وأحواض الاستحمام الساخنة وغرف الساونا وغرف البخار وحلبات التزجج الداخلية).
- لا تقم بالتركيب على أسطح غير قوية أو توجد خلفها مخاطر خفية، مثل الأسلاك الكهربائية أو أنابيب المياه. إذا لم تكن متأكدًا من كيفية تركيب الكتيفة، فاتصل بفني تركيب محترف مؤهل. احرص على تركيب الكتيفة وفقاً لقوانين البناء المحلية.
- لا تستخدم سوى المعدّات والملحقات المضمّنة أو المحددة من قبل Bose Professional للاستخدام مع مكبرات الصوت DesignMax DM8S. لا يتم إرفاق أجهزة تثبيت مكبر الصوت على سطح التركيب. للحصول على معلومات حول الملحقات المتوافقة، راجع ورقة البيانات الفنية الخاصة بالمنتج على BoseProfessional.com.
- أبقِ المنتج بعيداً عن مصادر اللهب والحرارة. يجب عدم وضع أية مصادر للهب المكشوف، مثل الشموع المشتعلة، فوق المنتج أو بالقرب منه.
- لا تقم بإجراء أي تعديلات غير مصرّح بها على هذا المنتج.
- لا تُستخدم كتيفة التثبيت على الحائط الخاصة بمكبر الصوت DesignMax DM8S إلا مع الطراز DM8S.
- لا تستخدم أي نوع من المذيبات أو مواد التزييت أو مواد التنظيف القائمة على الهيدروكربون على مكبر الصوت وهذا معدّات التثبيت المرفقة أو حولها أثناء التركيب. فقد يؤدي التعرّض لمواد مماثلة إلى تحلّل المواد البلاستيكية، مما قد يتسبب بتصدّع المنتج في وقت مبكر وبخطر السقوط.
- لا تنظّف مكبرات الصوت إلا باستخدام قطعة قماش جافة. ولا تعرّض مكبر الصوت للصابون أو المنظفات أو الزيوت المعدنية أو الكحول أو غيرها من مواد التنظيف أو الكيماويات.
- تم تزويد الحاجز الشبكي بديوس أمان موصول بحبل مصمّم للاستخدام مرة واحدة.

تصنيفات المنتج:

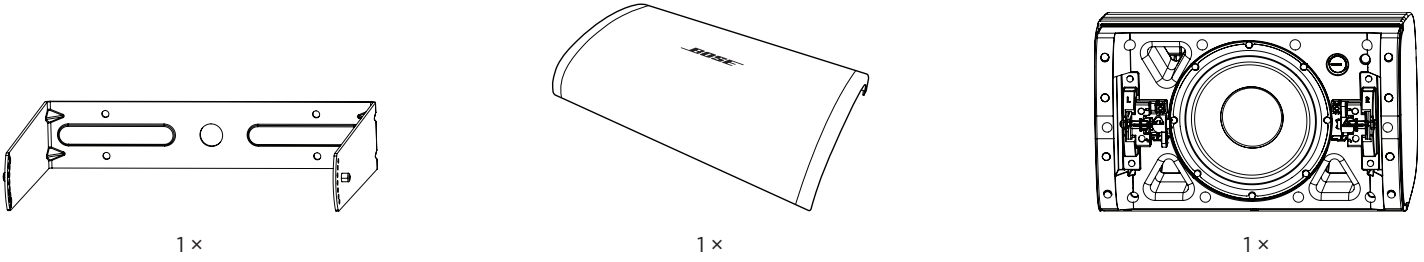
الجهد الكهربائي للدخل: 70 فولت/100 فولت

المعاوقة: 8 أوم، 125 واط

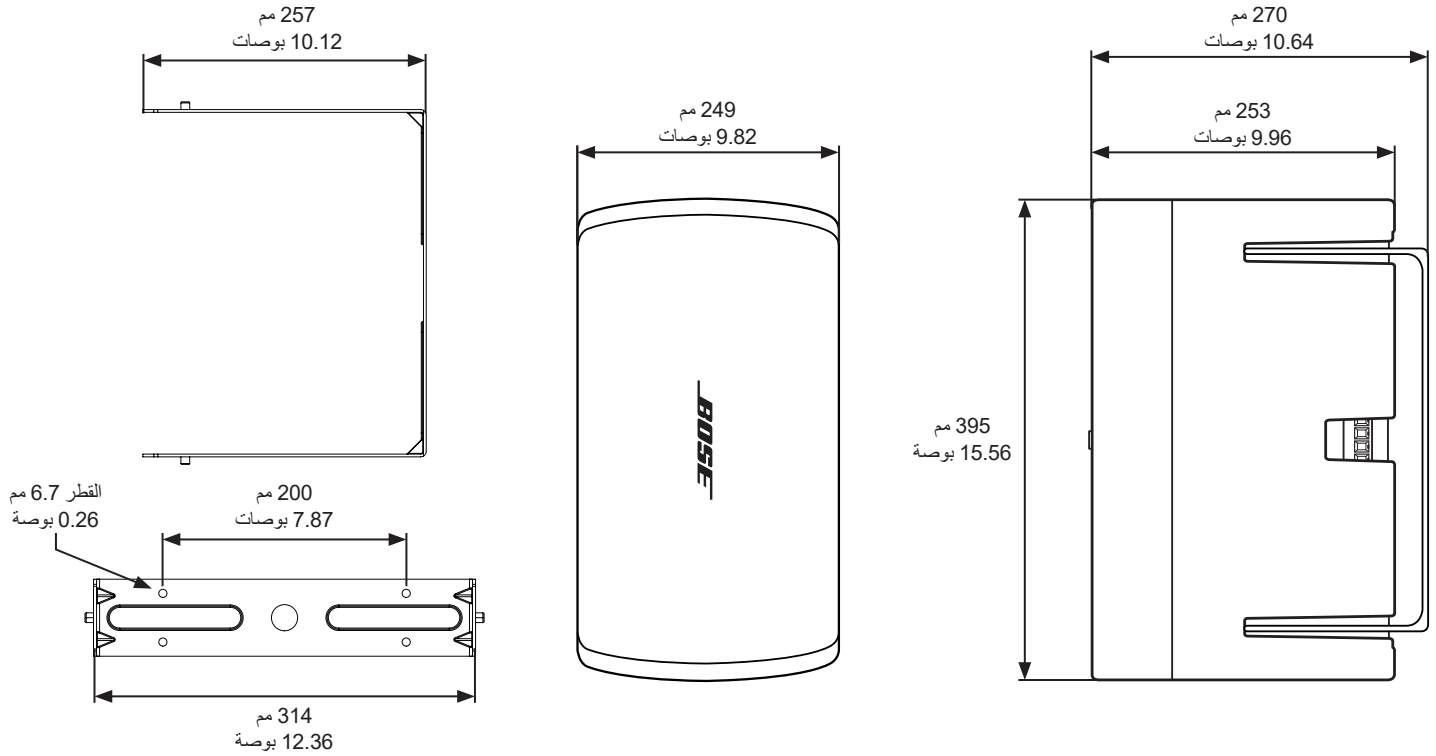
التيار أو الطاقة: (70 فولت): 2,5 واط، 5 واط، 10 واط، 20 واط، 40 واط، 80 واط؛

(100 فولت): 5 واط، 10 واط، 20 واط، 40 واط، 80 واط

محتويات العبوة



أبعاد المنتج



معلومات هامة حول التركيب

يتحمل في التركيب المتخصص مسؤولية ضمان تنفيذ عملية تركيب مكبرات الصوت ونظام التثبيت بالتوافق مع كل القوانين المعمول بها، بما في ذلك قوانين ولوائح البناء المحلية. يرجى مراجعة السلطات المحلية صاحبة الاختصاص قبل تركيب هذا المنتج.

تقع على عاتق فني التركيب مسؤولية ضمان سلامة عملية تركيب مكبر الصوت. قد يؤدي عدم تركيب مكبر الصوت بالطريقة المناسبة إلى إلحاق الضرر أو وقوع الإصابات أو حتى إلى الوفاة.

لا تقم بتركيب هذا المنتج في الأماكن التي قد يحدث فيها تكثيف.

لا يتم إرفاق أجهزة تثبيت مكبر الصوت على سطح التركيب. استشر فني إنشاءات للتعرف على أجهزة التركيب المناسبة قبل تركيب مكبر الصوت.

لا تقم بالتركيب على أسطح غير قوية أو توجد خلفها مخاطر خفية، مثل الأسلاك الكهربائية أو أنابيب المياه. إذا لم تكن متأكدًا من كيفية تركيب الكتيبة، فاتصل بفني تركيب محترف مؤهل. احرص على تركيب الكتيبة وفقًا لقوانين البناء المحلية.

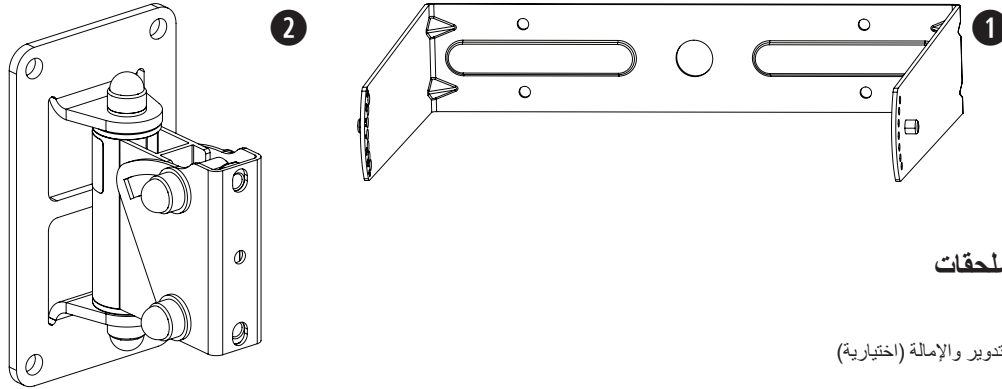
لا تستخدم أي نوع من المذيبات أو مواد التزييت أو مواد التنظيف القائمة على الهيدروكربون على مكبر الصوت هذا ومعدات التثبيت المرفقة أو حولها أثناء التركيب. فقد يؤدي التعرض لمواد مماثلة إلى تحلل المواد البلاستيكية، مما قد يتسبب بتصدع المنتج في وقت مبكر وبخطر السقوط.

المواصفات الفنية

للحصول على مواصفات إضافية، راجع ورقة البيانات الفنية لمكبر الصوت DesignMax DM8S على BoseProfessional.com.

مادي	أبعاد المنتج
الارتفاع: 395 مم (15.56 بوصة)	
العرض: 249 مم (9.82 بوصة)	
العمق: 253 مم (9.96 بوصة)	
الوزن الصافي لمكبر الصوت مع الحاجز الشبكي	10.34 كجم (22.8 رطلاً)
وزن الشحن	13.15 كجم (29.0 رطلاً)

خيارات التركيب



خيارات التركيب والملحقات

1 كتيبة التركيب (مرفقة)

2 كتيبة التودير والإمالة (اختيارية) RMUBRKT1

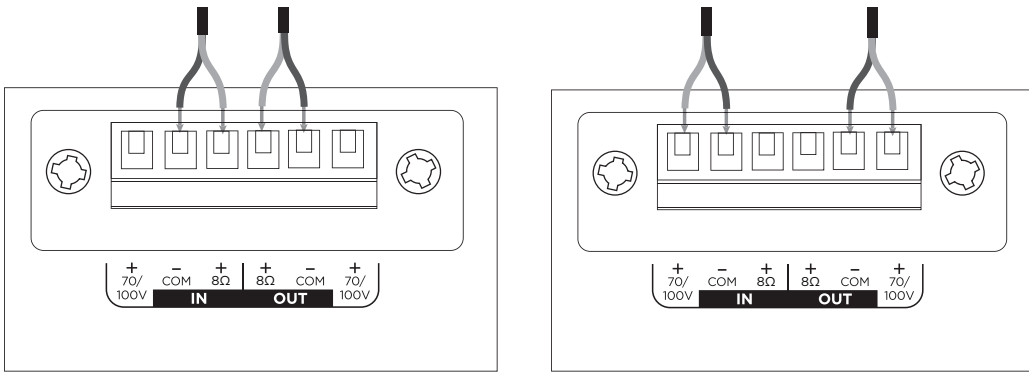
توصيل أسلاك مكبر الصوت

قياس الأسلاك

تم تصميم مكبر الصوت DesignMax DM8S حتى يعمل بأسلاك مقاس 18 بمعيار السلك الأمريكي (0.8 مم²) إلى 14 بمعيار السلك الأمريكي (2.1 مم²) فقط.

مخططات التوصيل

اكتشف ستة ملليمترات (4/1 بوصة) من السلك العاري لتوصيله بالأطراف.



8 أوم

70 فولت/100 فولت

ملاحظة: مكبر الصوت ليس مخصصًا للاستخدام مع مجرى صلب. بل يناسب مكبر الصوت مجرى مرئي أو توصيلات الأسلاك فقط.

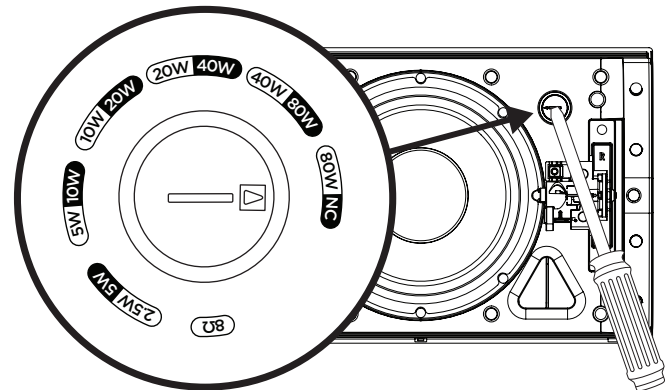
إعدادات مكبر الصوت

		70 فولت					
8 أوم		80 واط*	40 واط	20 واط	10 واط	5 واط	2.5 واط
	**NC	80 واط	40 واط	20 واط	10 واط	5 واط	2.5 واط
		100 فولت					

* القيمة الافتراضية للشركة المصنعة ** NC: بدون توصيل (لا تستخدمه)

إعداد تفريغ المحوّل

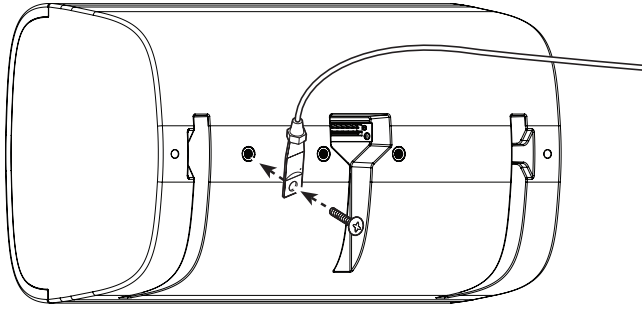
تبيّت التفريغ بإدارته. استخدم مفك براغي برأس مسطح.



استخدام كبل الأمان

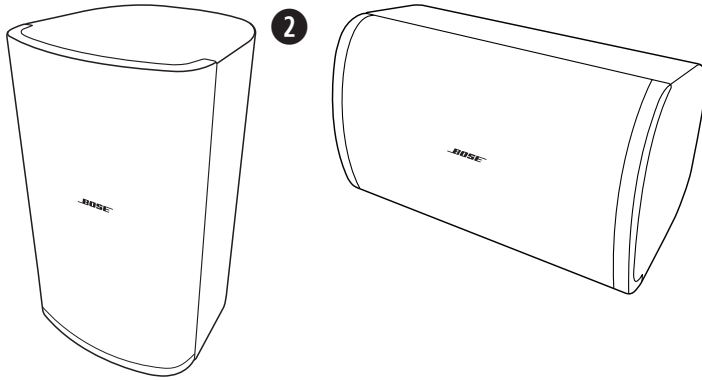
تتطلب بعض قوانين البناء الإقليمية استخدام طريقة ثانوية لتثبيت مكبرات الصوت بإحكام، بهدف دعم الهياكل وتوفير مستوى إضافي من الأمان. اختر وضعية وطريقة ومعدات للتركيب متوافقة مع قوانين ولوائح البناء المحلية.

يمكن تثبيت كبل أمان بمكبر الصوت باستخدام ولجة ملولبة بالجزء الخلفي من العلبة. يناسب مقياس الولوجة برغي M8 (غير مرفق).



اتجاه مكبر الصوت

اختر اتجاه مكبر الصوت الذي يناسب عملية التركيب على أفضل نحو.



1 أفقي

2 رأسي

ملاحظة: يؤدي التركيب بالقرب من أسطح الطهي التي قد يتعرض فيها مكبر الصوت لزيوت الطهي مباشرة، مثل أماكن الطهي التجارية، إلى انخفاض أداء مكبر الصوت أو وظائفه.

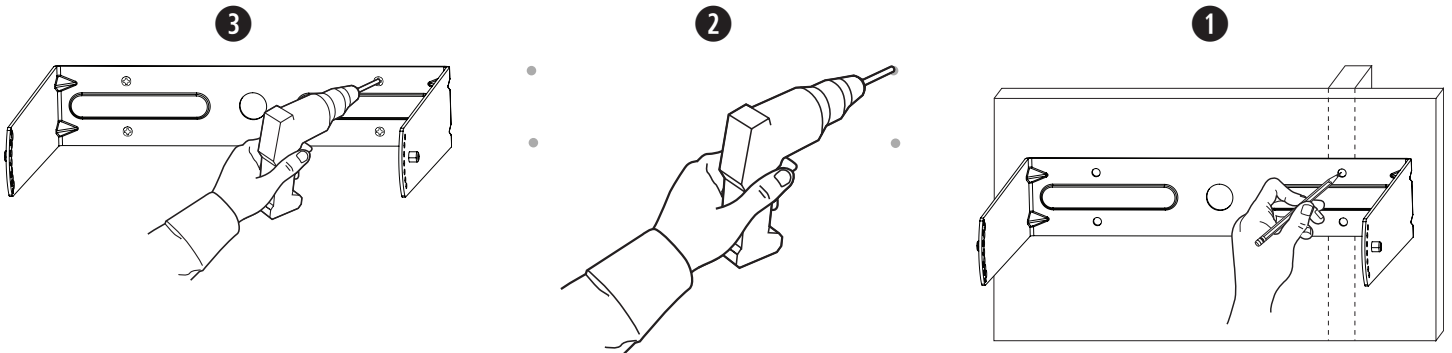
تركيب الكتيفة

ملاحظة: عند اختيار موقع التركيب، يجب تثبيت اثنتين على الأقل من نقاط توصيل كتيفة التركيب بهيكل الدعم. يجب تثبيت نقاط التوصيل غير المثبتة بهيكل دعم باستخدام الأجهزة المناسبة للتركيب.

1. عَم فتحات الثقب.

2. اثقب الفتحات الأربع (بحجم المشابك المناسبة) في الجدار.

3. تثبت الكتيفة بالحائط باستخدام أربعة براغي (غير مرفقة). ملاحظة: استخدم براغي M6 أو مقياس 4/1 بوصة.

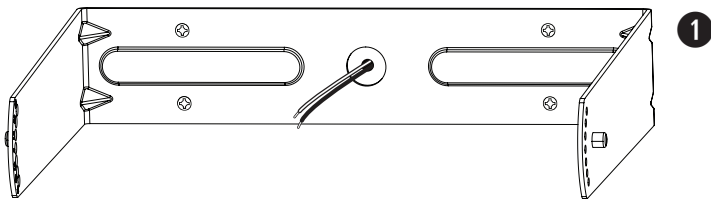


توصيل الموصل سلكياً

1. مرر الأسلاك عبر الفتحة الوسطى من الكتيفة.

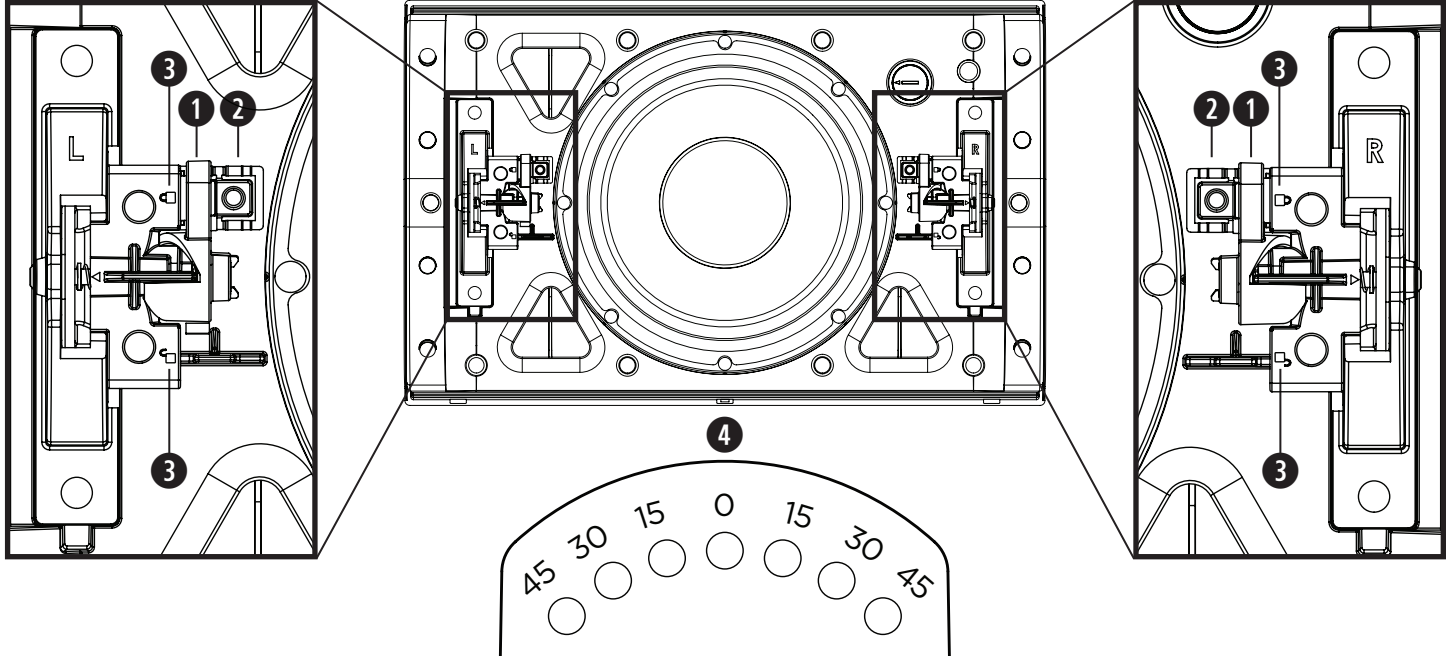
2. أزل الموصل من مكبر الصوت.

3. اربط الموصل سلكياً للحصول على معلومات حول توصيل الأسلاك، راجع توصيل أسلاك مكبر الصوت في الصفحة 70.



معلومات مهمة حول التركيب

- 1 أذرع القفل: تُستخدم لتثبيت مكبر الصوت بكتيفة التركيب. ادفع الأذرع تجاه مسامير القفل للقفل؛ أو ادفعها بعيدًا عنها لإلغاء القفل.
- 2 مسامير القفل: اضغط على المسامير لأسفل لإلغاء قفل الأذرع.
- 3 مؤشرات القفل: لتحديد اتجاه القفل.
- 4 ملصقات الزوايا (على الكتيفة): لتحديد موضع الزاوية المطلوبة.



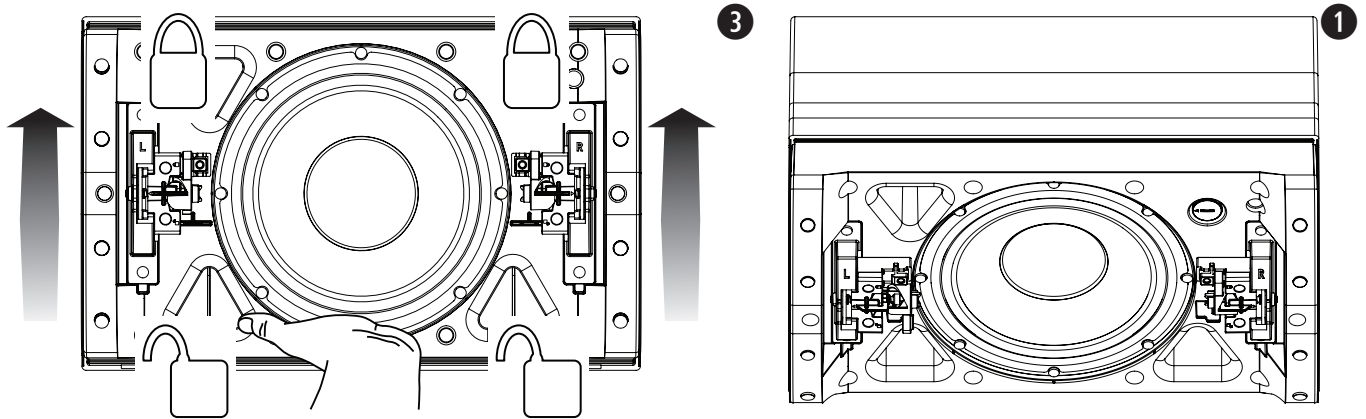
تركيب مكبر الصوت

ملاحظة: يتم شحن مكبر الصوت مع لفت أذرع القفل بشرط. أزل الشريط قبل التركيب.

1. ثبت مكبر الصوت بالكتيفة واضبط مكبر الصوت على زاوية 45 درجة واقفل الأذرع في مكانها.
2. قم بتوصيل الموصل السلكي بمكبر الصوت.
3. قم بإلغاء قفل الأذرع واضبط مكبر الصوت على الزاوية المطلوبة. تأكد من دعم وزن مكبر الصوت أثناء قيامك بضبط زاويته.
4. ملاحظة: يمكن ضبط زاوية مكبر الصوت على 0 درجة أو 15 درجة أو 30 درجة أو 45 درجة.

اقفل الأذرع في مكانها.

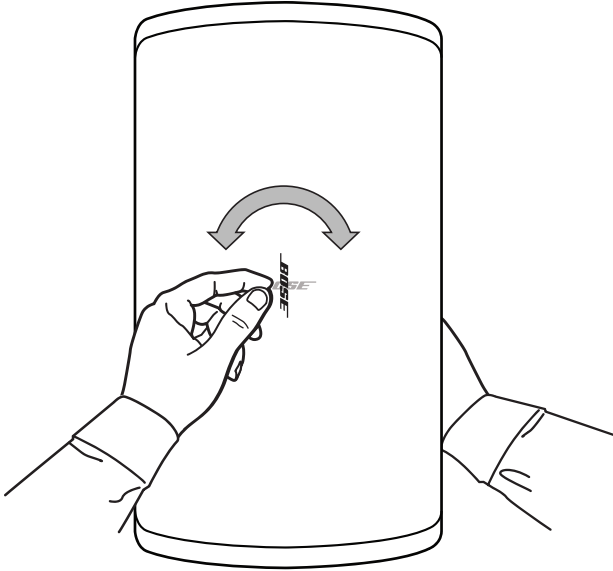
تحذير: قد يؤدي عدم دفع الأذرع إلى وضعية القفل على النحو المشار إليه إلى خطر السقوط، مما قد ينجم عنه تلف الممتلكات أو وقوع إصابة جسيمة أو الوفاة. يتحمل فني التركيب مسؤولية ضمان تركيب نظام التثبيت وفقًا للتعليمات.



تدوير الشعار

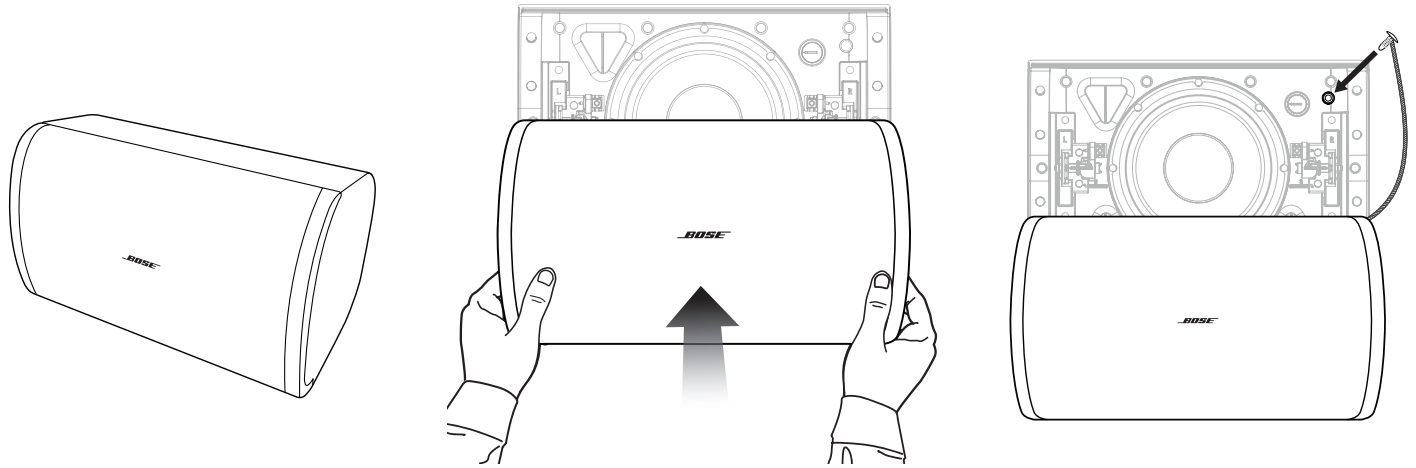
يمكنك تدوير شعار Bose لمحاذاته مع اتجاه مكبر الصوت. اضغط على الزر الموجود على الجزء الخلفي من الحاجز الشبكي بإحدى يديك. وقم بتدوير الشعار باليد الأخرى. يمكن تدوير الشعار في اتجاه حركة عقارب الساعة أو في عكس اتجاهها.

ملاحظة: لا تضغط على الزر للداخل ما لم تكن تعتزم إزالة الشعار.



تثبيت الحاجز الشبكي

أدخل دبوس الأمان الموصول بجبل في ثقب الدبوس الموصول بجبل الموجود في مكبر الصوت. باستخدام كلتا يديك، ضع الحاجز الشبكي على مكبر الصوت، مع ضمان انطباق الحاجز الشبكي على مكبر الصوت بدون فجوات. يتم إحكام تثبيت الحاجز الشبكي بمكبر الصوت مغناطيسيًا.



السلامة والامتثال التنظيمي

اجتاز مكبر الصوت DesignMax DM8S من الاختبارات ويتوافق مع المواصفات والاستخدامات التالية:

مدرجان ضمن معيار ANSI/UL 1480A-2016، لمكبرات الصوت ذات الاستخدام التجاري والاحترافي الموفر للسلامة

الاستخدام لأغراض عامة - UEAY من الفئة UL، رقم الملف S 5591، رقم التحكم 3N89

مناسب للتركيب باستخدام طرق توصيل الأسلاك من الفئة 1 والفئة 2 والفئة 3 بما يتوافق مع NFPA 70، المواصفات القياسية الكهربائية الأمريكية، لعام 2017، المادة 640

تم تصميم مكبر الصوت DesignMax DM8S وفقاً للمتطلبات المحددة في المواصفات التنظيمية الأوروبية التالية للأنظمة المجمعّة:

تم الاختبار وفقاً لمعيار IEC60268-5، لعام 2007



833983-0030

©2023 Transom Post OpCo LLC. All rights reserved.
Framingham, MA 01701 USA
BoseProfessional.com
AM833983 Rev. 03
August 2023