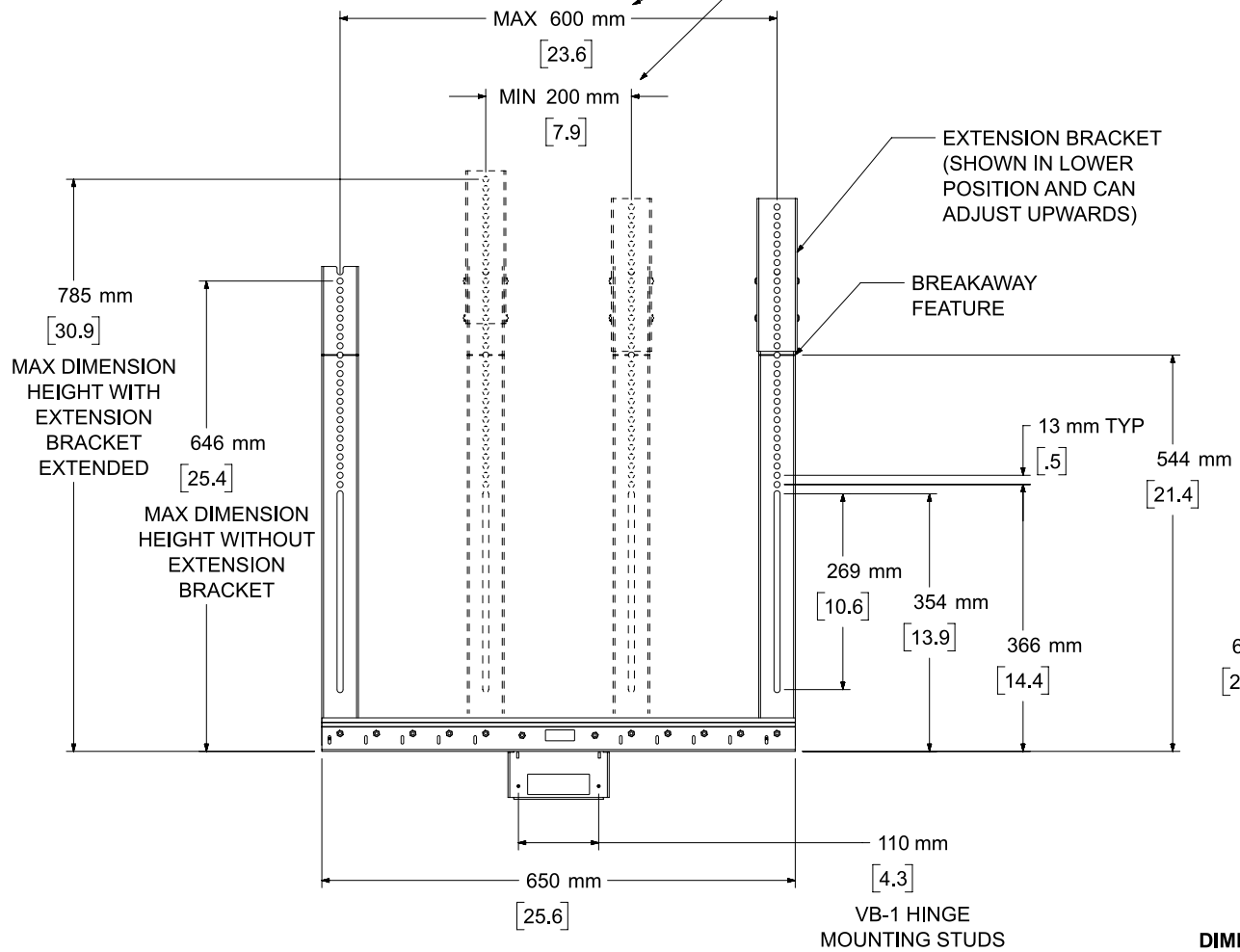




Top View

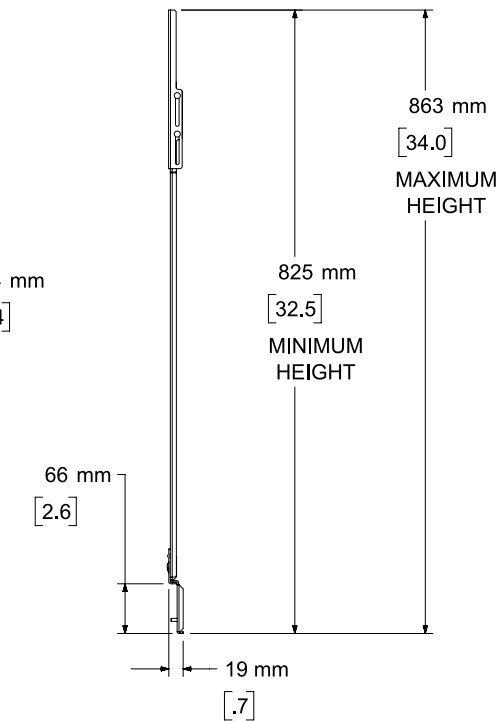
VERTICAL SPACING BEGINS AT 200mm AND CAN ADJUST TO 300mm, 400mm AND 500mm SPACING UP TO A MAX OF 600mm



Front View

EXTENSION BRACKET (SHOWN IN LOWER POSITION AND CAN ADJUST UPWARDS)

BREAKAWAY FEATURE



Right View

DIMENSIONS APPLY TO BOTH SIDES

NOTES:

1. DIMENSIONS ARE IN MILLIMETERS OVER INCHES
2. WEIGHT APPROX 2.4kg [5.3lbs]

	THIRD ANGLE PROJECTION	DESCRIPTION	
		VIDEOBAR DISPLAY MOUNTING KIT	
UNLESS OTHERWISE SPECIFIED INTERPRET THIS DRAWING PER ASME Y14.5M-1997 PROFESSIONAL	CAGE CODE	DOCUMENT NUMBER	VERSION
		RF872761-MKTCADS	00.7
DO NOT SCALE DRAWING		NOTICE	
		2023 BOSE PROFESSIONAL THIS DRAWING MAY NOT BE COPIED, REPRODUCED, OR USED AS THE BASIS FOR MANUFACTURE OR SALE OF APPARATUS WITHOUT THE PRIOR WRITTEN AUTHORIZATION OF BOSE PROFESSIONAL.	