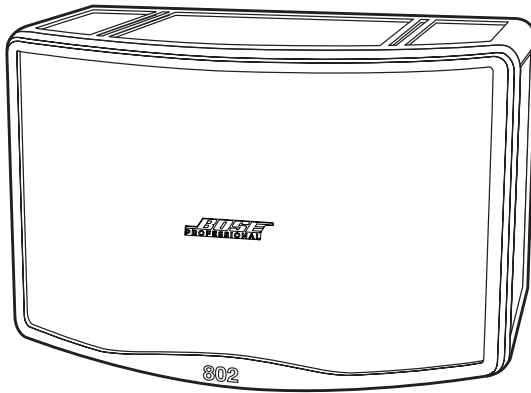
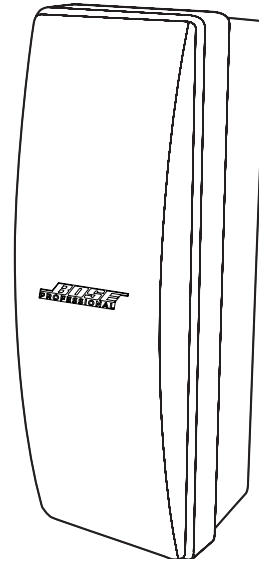


802® Series V



402® Series V



## Full-Range-Driver Array Loudspeakers

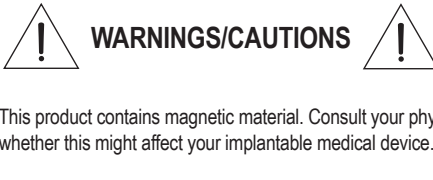
Installation Guide.....	2
安装指南.....	6

## Please read and keep all safety and use instructions.

This product is intended for installation by professional installers only! This document is intended to provide professional installers with basic installation and safety guidelines for this product in typical fixed-installation systems. Please read this document and all safety warnings before attempting installation.

Do not attempt to service this product yourself. Refer all servicing to authorized service centers, installers, technicians, dealers or distributors. To contact Bose Professional or to find a dealer or distributor near you, visit [BoseProfessional.com](https://BoseProfessional.com).

1. Read these instructions.
2. Keep these instructions.
3. Heed all warnings.
4. Follow all instructions.
5. Do not block any ventilation openings. Install in accordance with the manufacturer's instructions.
6. Do not install near any heat sources such as radiators, heat registers, stoves, or other apparatus (including amplifiers) that produces heat.
7. Only use attachments/accessories specified by the manufacturer.





### WARNINGS/CAUTIONS

This product contains magnetic material. Consult your physician on whether this might affect your implantable medical device.

- It is the responsibility of the installer to use a support system which has sufficient wind load strength to comply with the applicable codes and standards.
- All Bose Professional products must be installed in accordance with local, state, federal and industry regulations. It is the installer's responsibility to ensure installation of the loudspeakers and mounting system is performed in accordance with all applicable codes, including local building codes and regulations. Consult the local authority having jurisdiction before installing this product.
- This product is not intended for installation or use in indoor water facility areas (including, without limitation, indoor pools, indoor water parks, hot tub rooms, saunas, steam rooms and indoor skating rinks).
- Unsafe mounting or overhead suspension of any heavy load can result in serious injury or death, and property damage. It is the installer's responsibility to evaluate the reliability of any mounting method used for their application. Only professional installers with the knowledge of proper hardware and safe mounting techniques should attempt to install any loudspeaker overhead.
- Do not mount on surfaces that are not sturdy, or that have hazards concealed behind them, such as electrical wiring or plumbing. If you are not sure about installing the bracket, contact a qualified professional installer. Ensure the bracket is installed according to local building codes.
- Use only the hardware and accessories included or specified by Bose Professional for use with 802 and 402 loudspeakers. Hardware for securing the loudspeaker to the mounting surface is not supplied. For information on compatible accessories, see the product's technical data sheet at [BoseProfessional.com](https://BoseProfessional.com).
- Keep the product away from fire and heat sources. Do not place naked flame sources, such as lighted candles, on or near the product.
- Do not make unauthorized alterations to this product.
- Do not expose loudspeaker or mounting components to any chemical substances that are not specified by Bose Professional, including but not limited to lubricants, cleaning agents, contact sprays, or other hydrocarbon-based solvents. Exposure to such substances can lead to degradation of the plastic material, resulting in cracking and creating a falling hazard.
- Clean speakers using only a dry cloth. Do not expose loudspeaker to soap, detergent, mineral oil, alcohol or other cleaning agents or chemicals.

## Regulatory Information


 This product conforms to all applicable EU directive requirements. The complete declaration of conformity can be found at the product-specific page: [BoseProfessional.com](https://BoseProfessional.com).

 This symbol means the product must not be discarded as household waste, and should be delivered to an appropriate collection facility for recycling. Proper disposal and recycling helps protect natural resources, human health and the environment. For more information on disposal and recycling of this product, contact your local municipality, disposal service, or the shop where you bought this product.

## China Restriction of Hazardous Substances Table

Names and Contents of Toxic or Hazardous Substances or Elements						
Part Name	Toxic or Hazardous Substances and Elements					
	Lead (Pb)	Mercury (Hg)	Cadmium (Cd)	Hexavalent (CR(VI))	Polybrominated Biphenyl (PBB)	Polybrominated diphenyl ethers (PBDE)
PCBs	X	0	0	0	0	0
Metal Parts	X	0	0	0	0	0
Plastic Parts	0	0	0	0	0	0
Speakers	X	0	0	0	0	0
Cables	X	0	0	0	0	0

This table is prepared in accordance with the provisions of SJ/T 11364.  
 O: Indicates that this toxic or hazardous substance contained in all of the homogeneous materials for this part is below the limit requirement of GB/T 26572.  
 X: Indicates that this toxic or hazardous substance contained in at least one of the homogeneous materials used for this part is above the limit requirement of GB/T 26572.



## Taiwan Restriction of Hazardous Substances Table

Equipment name: 402, 802 Series V, Type designation: 893554, 893555						
Unit	Restricted substances and its chemical symbols					
	Lead (Pb)	Mercury (Hg)	Cadmium (Cd)	Hexavalent chromium (Cr+6)	Polybrominated biphenyls (PBB)	Polybrominated diphenyl ethers (PBDE)
PCBs	-	o	o	o	o	o
Metal Parts	-	o	o	o	o	o
Plastic Parts	o	o	o	o	o	o
Speakers	-	o	o	o	o	o
Cables	-	o	o	o	o	o

Note 1: "o" indicates that the percentage content of the restricted substance does not exceed the percentage of reference value of presence.  
 Note 2: The "-" indicates that the restricted substance corresponds to the exemption.

**Date of Manufacture:** The eighth and ninth digits in the serial number indicate the year of manufacture; "24" is 2024.

**EU Importer:** Transom Post Netherlands B.V., Keizersgracht 391A, 1016 EJ, Amsterdam | **UK Importer:** Transom Post Netherlands UK, Squires House 205a High Street, West Wickham, BR4 0PH | **Japan Importer:** Transom Post International Japan KK Co., Ltd. PMO Tamachi IV Shiba5-29-19, Minato-ku, Tokyo | **Australia Importer:** Transom Post Australia Pty. Ltd., Level 14, 60 Margaret Street, Sydney, NSW 2000 | **China Importer:** Transom Post (Shanghai) Audio Co. Ltd Room 2209, Building 1, 175 Longyao Road, Xuhui District, Shanghai | **Mexico Importer:** POST INTL MEXICO, S. DE R.L. DE C.V. Insurgentes Sur No. 1079, 1st floor, Colonia Noche Buena, Benito Juárez, C.P. 03270, Mexico City | **UAE Importer:** 102 A, Sama Tower Sheikh Zayed Road, Dubai UAE

Bose is a trademark of Bose Corporation.

802 and 402 are trademarks of Transom Post OpCo LLC.

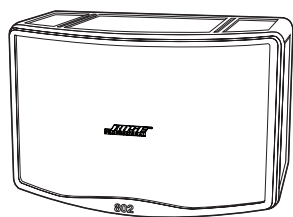
Bose Professional, 117 South St, Hopkinton, MA 01748 USA

©2024 Transom Post OpCo LLC. No part of this work may be reproduced, modified, distributed or otherwise used without prior written permission.

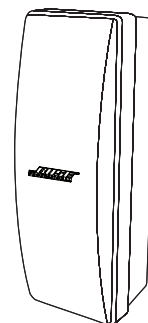
**Warranty Information**

This product is covered by a limited warranty.  
 For warranty details, visit [BoseProfessional.com/Warranty](https://BoseProfessional.com/Warranty).

## Package Contents



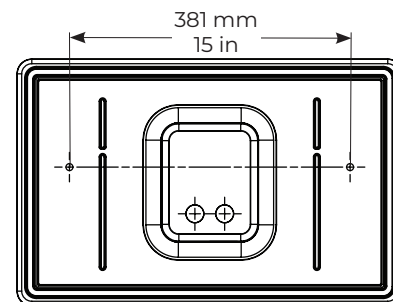
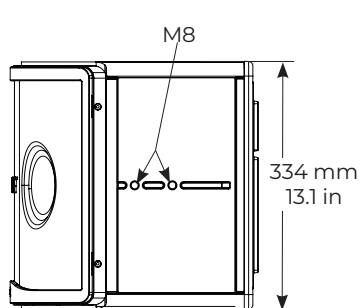
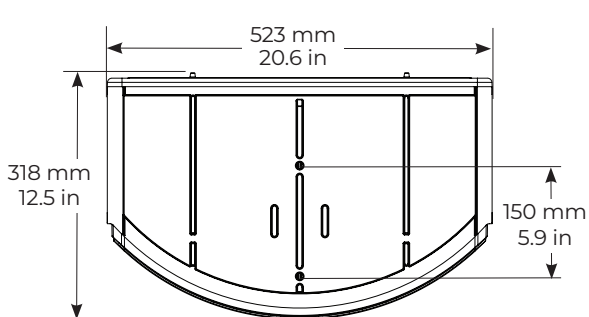
802 Series V



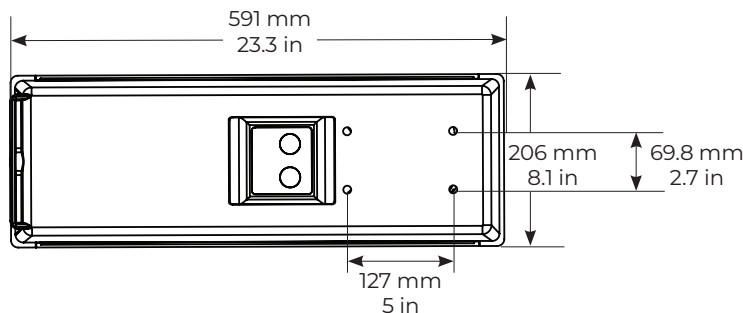
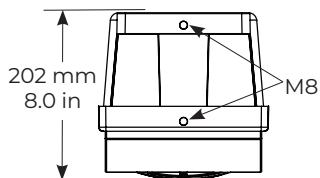
402 Series V

## Product Dimensions

802 Series V:



402 Series V:




## Technical Specifications

For additional specifications, see the Array Loudspeakers technical data sheet at [BoseProfessional.com](http://BoseProfessional.com).

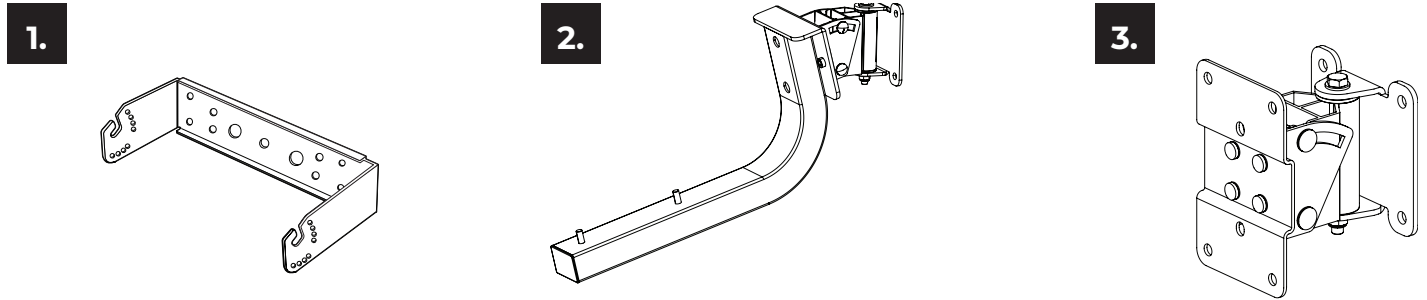
Physical				
<b>Net Weight</b>	<b>802:</b>	16.7 kg (36.8 lbs)		
	<b>402:</b>	6.9 kg (15.2 lbs)		
<b>Shipping Weight</b>	<b>802:</b>	19.3 kg (42.5 lbs)		
	<b>402:</b>	8.4 kg (18.5 lbs)		
<b>Connectors</b>	<b>NL4 Wiring:</b>			
	1+	1-	2+/THRU	2-/THRU
	FR+	FR-	Not Connected	

## Important Safety Information

 Before installing the loudspeaker, review **Important Safety Instructions** on page 2.

 Suitable for use outdoors in wet locations IP55 per IEC 60529:2013+COR.1:2019

## Installation Options



### Installation Options and Accessories

**802:**

1. 802 U-bracket
2. WBP-8 Pan and Tilt Bracket

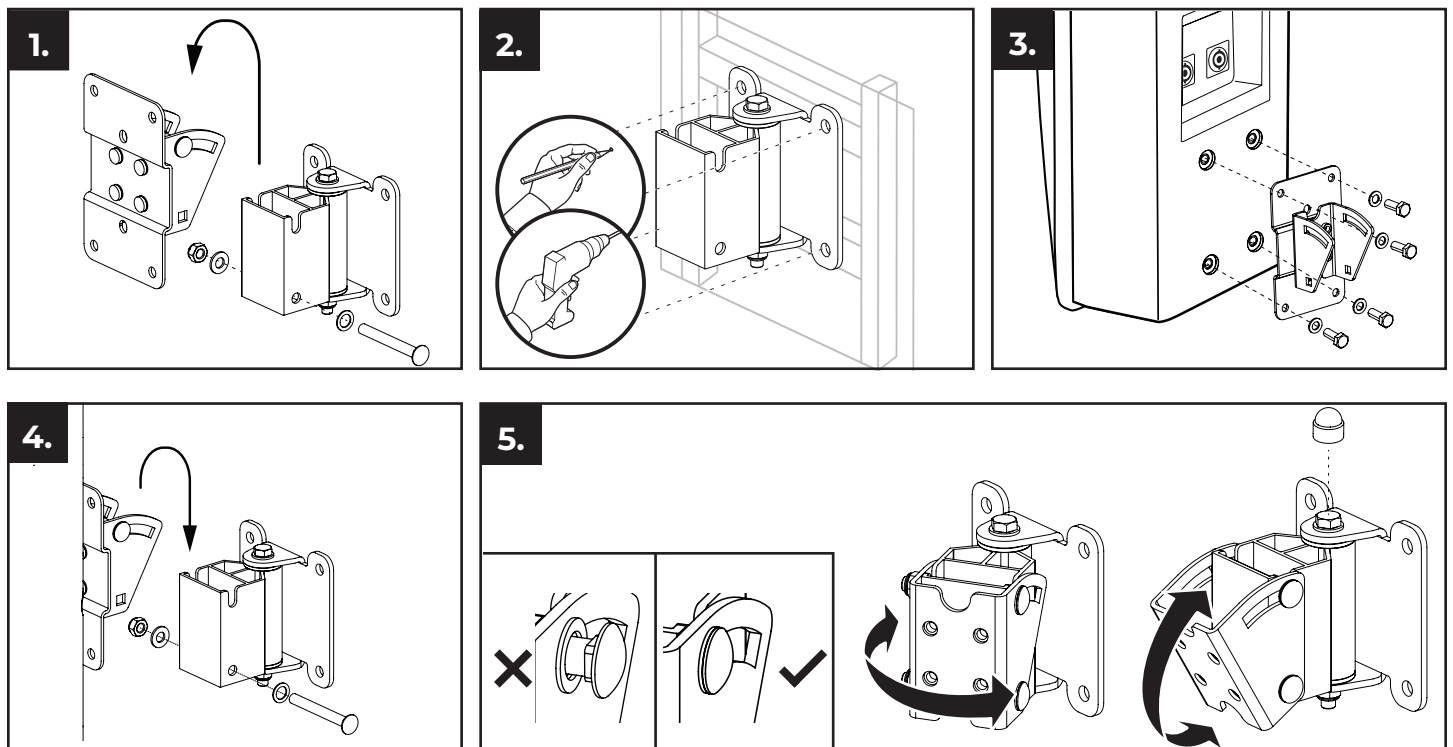
**402:**

3. Surface-Mount Pan and Tilt Bracket

### Installing the 402 Series V loudspeaker with the Surface-Mount Pan and Tilt Bracket

**Note:** Choose appropriate fasteners to support the weight of the loudspeaker (see your loudspeaker installation guide for product weight). At least two of the wall bracket's attachment points must be secured to a support structure. Attachment points not secured to a support structure must be secured using appropriate hardware for the installation. Choose fasteners that are consistent with all local building codes and requirements.

1. Remove the bracket pin to detach the angle bracket from the wall bracket.
2. Mark and drill four holes into the wall. Secure the bracket to the wall using four screws (use M8 or 5/16-inch sized screws).
3. Using the included T3 square drive, remove the plastic inserts on the rear panel of the loudspeaker and attach the bracket to loudspeaker using **only** the included M8 × 20 mm screws.
4. Reattach the angle bracket to the wall bracket and secure it with the bracket pin.
5. Adjust the pan and tilt of the loudspeaker by loosening the appropriate bolts. The carriage bolt must be flush to the angle slot to tighten. Attach the plastic bolt caps if desired.



## Recommended power amplifiers

Selecting the proper amplifier size for a given loudspeaker requires analysis of the transducer long-term (or RMS) power rating, dynamic range of the input-source material (crest factor), desired sound pressure levels, and other factors. As a general guideline, the following table provides recommended power amplifier ranges for Bose Professional loudspeakers:

Model	Nominal Impedance	Required Channels	Amp Power Rating
802 Series V	8 ohms	1	250 – 500 Watts
402 Series V			125 – 250 Watts




**CAUTION:** Failure to follow these guidelines may result in damage to the loudspeaker!

请阅读并保留所有安全和使用说明。


本产品仅可由专业人员安装! 本文档旨在为专业安装人员提供在典型的固定安装系统中安装此产品时适用的基本安装和安全指南。在安装之前, 请先阅读本文档和所有安全警告。

请勿尝试自行维修此产品。所有维修服务必须由授权服务中心、安装人员、技术人员、经销商或分销商提供。要联系 Bose Professional 或查找您附近的经销商或分销商, 请访问 BoseProfessional.com。

1. 请阅读这些说明。
2. 请保留这些说明。
3. 请注意所有警告。
4. 请遵守所有说明。
5. 请勿堵塞任何通风口。请按照制造商的说明进行安装。
6. 请勿安装在靠近任何热源的位置, 例如暖气片、热调节装置、火炉或可产生热量的其他设备(包括功率放大器)。
7. 只能使用制造商指定的附件/配件。



**警告/小心**




本产品含有磁性材料。有关这是否会影响到您的植入式医疗器械, 请咨询您的医生。

- 安装人员有责任使用具有足够抗风荷载强度的支撑系统, 遵守适用的法规和标准。
- 所有 Bose Professional 产品的安装都必须遵守当地、州/省/市/自治区、联邦和行业规范。安装人员有责任确保扬声器和安装系统的安装都符合适用的法规, 包括当地的建筑法规和规定。安装本产品前, 请咨询拥有司法管辖权的当地监管机构。
- 此产品不适合在室内涉水设施区域安装或使用(包括但不限于室内游泳馆、室内水上乐园、有热水浴缸的房间、桑拿房、蒸汽浴室以及室内溜冰场)。
- 以不安全的方式登高安装或吊装任何重物可能导致严重的人身伤害、死亡或财产损失。安装人员有责任评估在其应用中所使用的任何安装方法的可靠性。只有正确了解硬件且掌握安全安装技术的专业安装人员才能尝试安装任何吊装式扬声器。
- 请勿将本产品安装在不结实或有潜在危险的表面, 比如铺有电线或管道的地方。如果您不确定如何安装支架, 请联系拥有相应资质的专业安装人员。安装支架时, 应确保遵循当地建筑规范的要求。
- 仅使用随附安装紧固件和附件或 Bose Professional 指定与 802 和 402 扬声器配合使用的安装紧固件和附件。不提供用于将扬声器固定到安装表面的安装紧固件。有关兼容附件的信息, 请参阅 BoseProfessional.com 上的产品技术参数表。
- 请将本产品放置到远离火源和热源的地方。请勿将明火火源(如点燃的蜡烛)置于本产品上或靠近本产品。
- 未经授权切勿改装本产品。
- 请勿将扬声器或安装组件接触 Bose Professional 未说明的任何化学物质, 包括但不限于润滑剂、清洁剂、触点喷剂或其他烃类溶剂。接触此类物质可能会导致本产品的塑料材料老化, 进而导致产品开裂和掉落。
- 只能使用干布清洁扬声器。请勿让扬声器接触肥皂、清洁剂、矿物油、酒精或其他清洁剂或化学品。

规范信息

 本产品符合所有适用的欧盟指令要求。您可以从产品特定页面找到完整的合规声明: BoseProfessional.com。

 此符号表示不得将本产品作为生活垃圾丢弃, 而应送到合适的回收站点进行回收。正确处理和回收有助于保护自然资源、人类健康和环境。想要获得更多关于此产品的处理和回收的信息, 请联系当地市政当局、垃圾处理服务部门或您购买此产品的门店。

中国危险物质限用表

有毒或有害物质或元素的名称及成分						
有毒或有害物质和元素						
零件名称	铅 (Pb)	汞 (Hg)	镉 (Cd)	六价铬 (Cr(VI))	多溴化联苯 (PBB)	多溴二苯醚 (PBDE)
印刷电路板	X	0	0	0	0	0
金属零件	X	0	0	0	0	0
塑料零件	0	0	0	0	0	0
扬声器	X	0	0	0	0	0
线缆	X	0	0	0	0	0

此表格依据 SJ/T 11364 的要求制定。  
 0: 表示此零件中所有均质材料所包含的此类有毒或有害物质均低于 GB/T 26572 中的限定要求。  
 X: 表示此零件所用全部均质材料中至少有一种包含的这种有毒或有害物质高于 GB/T 26572 标准的限定要求。

台湾危险物质限用表

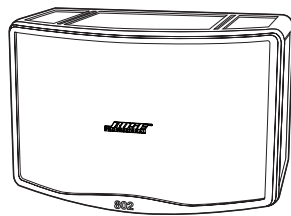
设备名称: 402、802 系列 V, 机型名称: 893554、893555						
限用物质及其化学符号						
单位	铅 (Pb)	汞 (Hg)	镉 (Cd)	六价铬 (Cr+6)	多溴化联苯 (PBB)	多溴二苯醚 (PBDE)
印刷电路板	-	0	0	0	0	0
金属零件	-	0	0	0	0	0
塑料零件	0	0	0	0	0	0
扬声器	-	0	0	0	0	0
线缆	-	0	0	0	0	0

备注 1: "0" 表示限用物质的百分比含量未超出参考值。  
 备注 2: "-" 表示限用物质符合豁免规定。

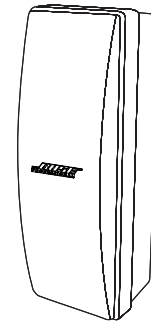
**生产日期:** 序列号中第八位和第九位数字表示生产年份; "24" 表示 2024 年。  
**欧洲进口商:** Transom Post Netherlands B.V., Keizersgracht 391A, 1016 EJ, Amsterdam  
**英国进口商:** Transom Post Netherlands UK, Squires House 205a High Street, West Wickham, BR4 0PH | **日本进口商:** Transom Post International Japan KK Co., Ltd. PMO Tamachi IV Shiba5-29-19, Minato-ku, Tokyo | **澳大利亚进口商:** Transom Post Australia Pty. Ltd., Level 14, 60 Margaret Street, Sydney, NSW 2000 | **中国进口商:** Transom Post (Shanghai) Audio Co. Ltd 上海市徐汇区龙耀路 175 号 1 号楼 2209 室 | **墨西哥进口商:** POST INTL MEXICO, S. DE R.L. DE C.V. Insurgentes Sur No. 1079, 1st floor, Colonia Noche Buena, Benito Juárez, C.P.03270, Mexico City | **阿联酋进口商:** 102 A, Sama Tower Sheikh Zayed Road, Dubai UAE  
 Bose 是 Bose Corporation 的商标。  
 802 和 402 是 Transom Post OpCo LLC 的商标。  
 Bose Professional, 117 South St, Hopkinton, MA 01748 USA  
 ©2024 Transom Post OpCo LLC. 未经事先书面许可, 不得复制、修改、分发或以其他方式使用本指南的任何部分。

**质保信息**  
 本产品享受有限保修服务。  
 有关质保详细信息, 请访问 [BoseProfessional.com/Warranty](http://BoseProfessional.com/Warranty)。

## 包装清单



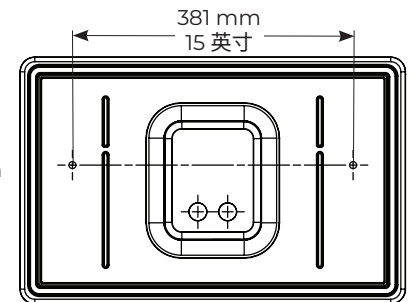
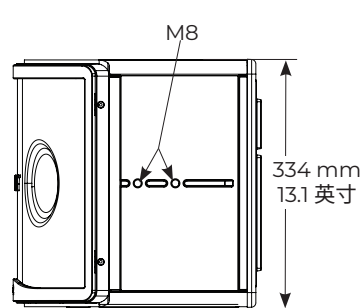
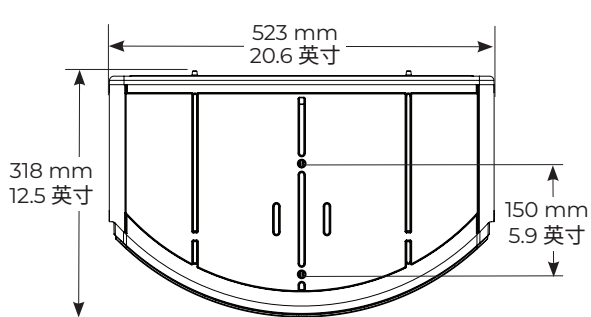
802 V



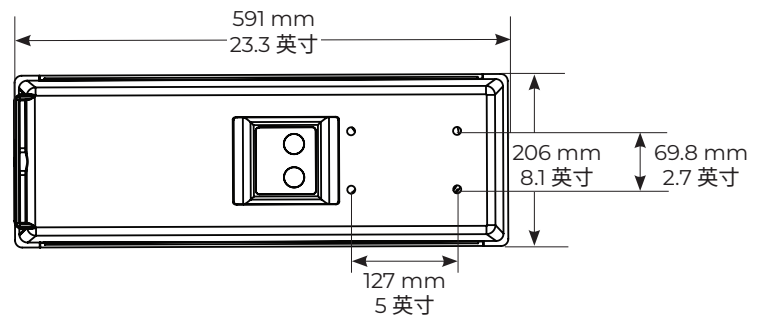
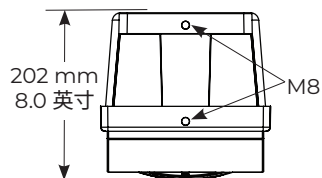
402 V

## 产品尺寸

802 V:



402 V:



## 技术规格

请参阅 [BoseProfessional.com](http://BoseProfessional.com) 上的 阵列扬声器技术参数表查看其他规格。

物理规格				
净重	<b>802:</b>	16.7 千克 (36.8 磅)		
	<b>402:</b>	6.9 千克 (15.2 磅)		
装运重量	<b>802:</b>	19.3 千克 (42.5 磅)		
	<b>402:</b>	8.4 千克 (18.5 磅)		
接口	<b>NL4 接线:</b>			
	1+	1-	2+/THRU	2-/THRU
	FR+	FR-	未连接	

## 重要安全信息

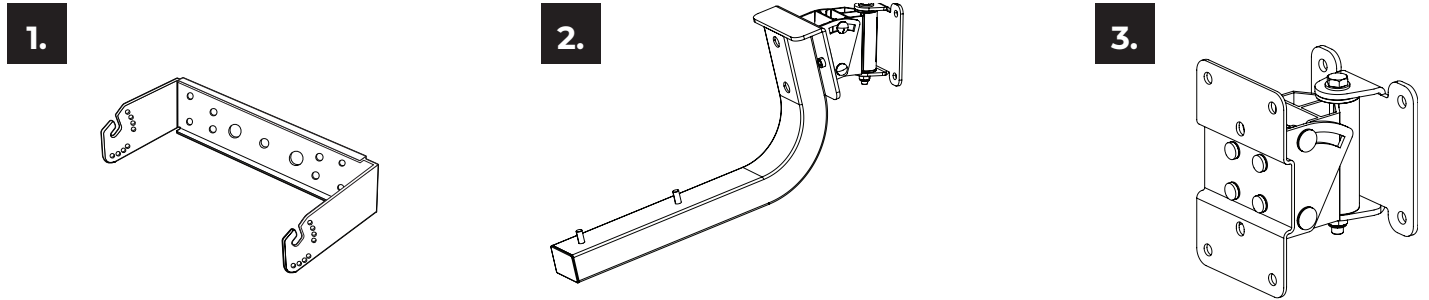


安装扬声器之前, 请阅读第 2 页上的重要安全说明。

适合室外潮湿环境使用  
符合 IEC 60529:2013+COR.1:2019 标准的 IP55



## 安装选件



### 安装选件和配件

#### 802:

1. 802 U型墙架
2. WBP-8 墙面支架

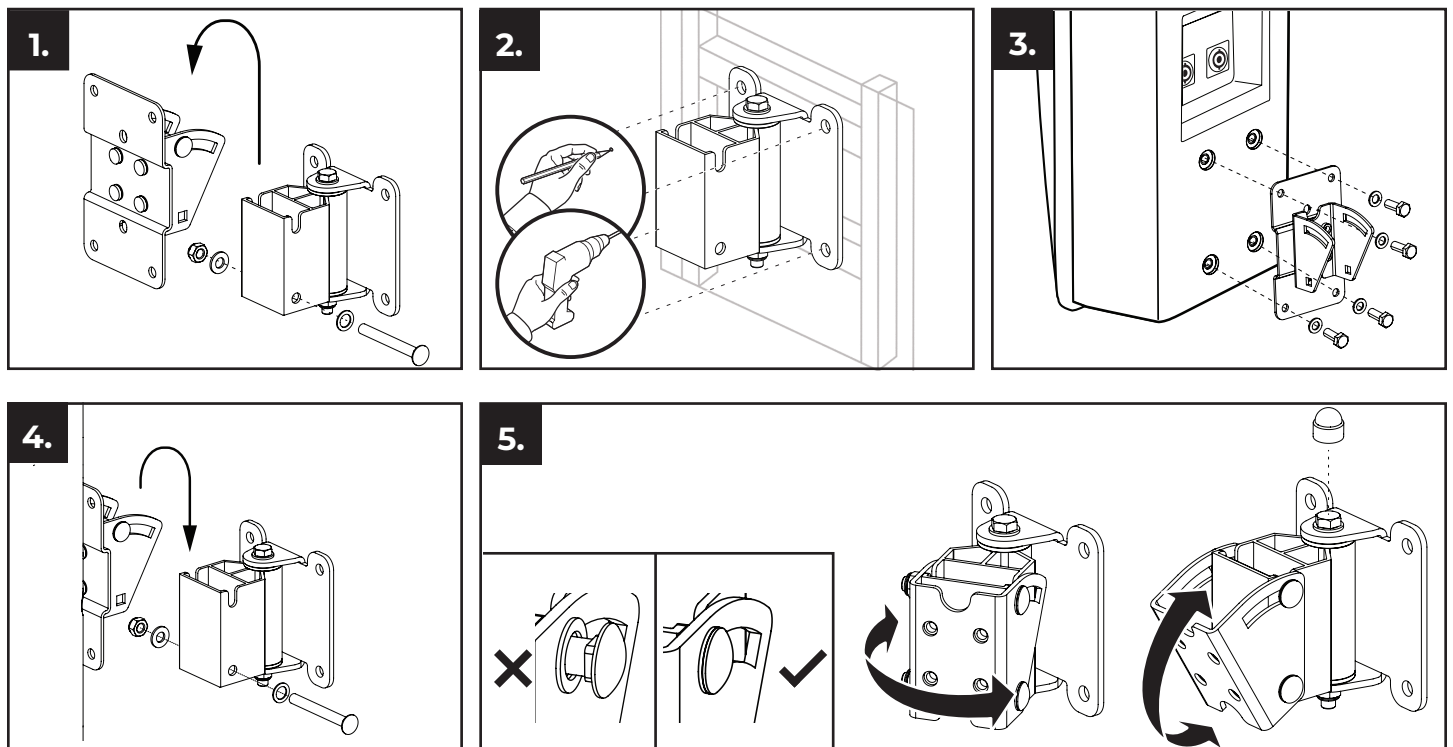
#### 402:

3. 双轴墙架

### 使用壁挂双轴墙架安装 402 V 扬声器

**注意:**选择合适的紧固件以支撑扬声器的重量(有关产品重量,请参见扬声器安装指南)。必须将墙面支架的至少两个连接点固定到支撑结构上。未固定到支撑结构上的连接点必须使用合适的安装紧固件进行固定。请选择符合当地所有建筑法规 and 要求的紧固件。

1. 取下支架螺栓,将角度托架从墙面支架上拆下。
2. 做好钻孔记号,在墙上打4个洞。使用4个螺钉将支架固定到墙壁上(使用M8或5/16英寸大小的螺钉)。
3. 使用随附的T3旋具套筒,卸下扬声器后面板上的塑料插件,并**仅**使用随附的M8×20毫米螺钉将支架连接到扬声器。
4. 将角度托架重新固定到墙面支架上,并用支架螺栓将其固定。
5. 松开相应螺栓,调整扬声器的平移和倾斜角度。方颈螺栓必须与角度卡槽齐平才能拧紧。如果需要,可安装塑料螺母。





## 推荐功率放大器

为指定扬声器选择正确的功放规格时,需要分析扬声器单元的长期(或 RMS)额定功率值、输入音源信号的动态范围(峰值因数)、所需的声压级水平等因素。作为一般准则,下表列出了 Bose Professional 扬声器的推荐功率放大器规格:

型号	额定阻抗	所需通道	功放额定功率
802 V	8 欧姆	1	250 – 500 瓦
402 V			125 – 250 瓦



**注意: 不遵守这些准则可能导致扬声器损坏!**



894703-0020

©2024 Transom Post OpCo LLC. All rights reserved.  
BoseProfessional.com  
AM894703 Rev. 01  
November 2024