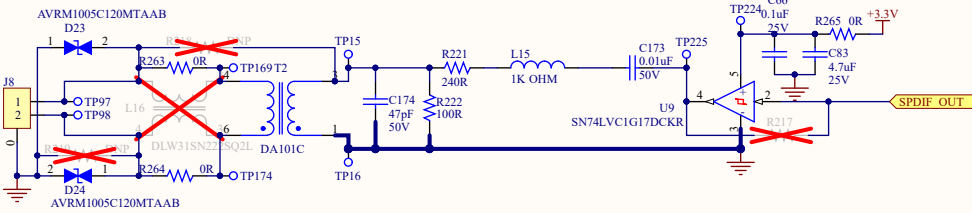
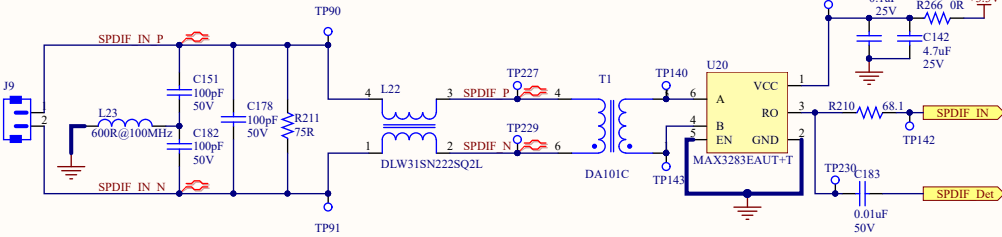


BOSE	864960-001S	Grand Prix Sub1 Main Board			Description of Changes/Notes	Rev.
		Product: Grand Prix				
		File Name: Top Level.SchDoc				
		Part Number: Part Number	Size: A3			
		Revision: 2.0.1	Drawn By: *	Mod By: *		
		Status: *	Checked By: *	Mod Date: 2020/2/28		
		Lead Engineer: *	Approved By: *			
		Date: 2020/3/17	Time: 8:47:48	Sheet: 1 of 7		

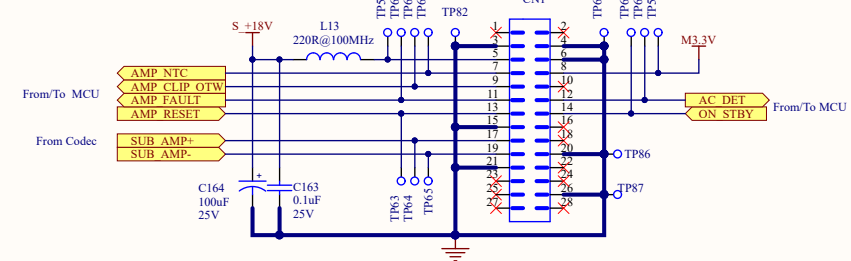
BassMatch Port THRU

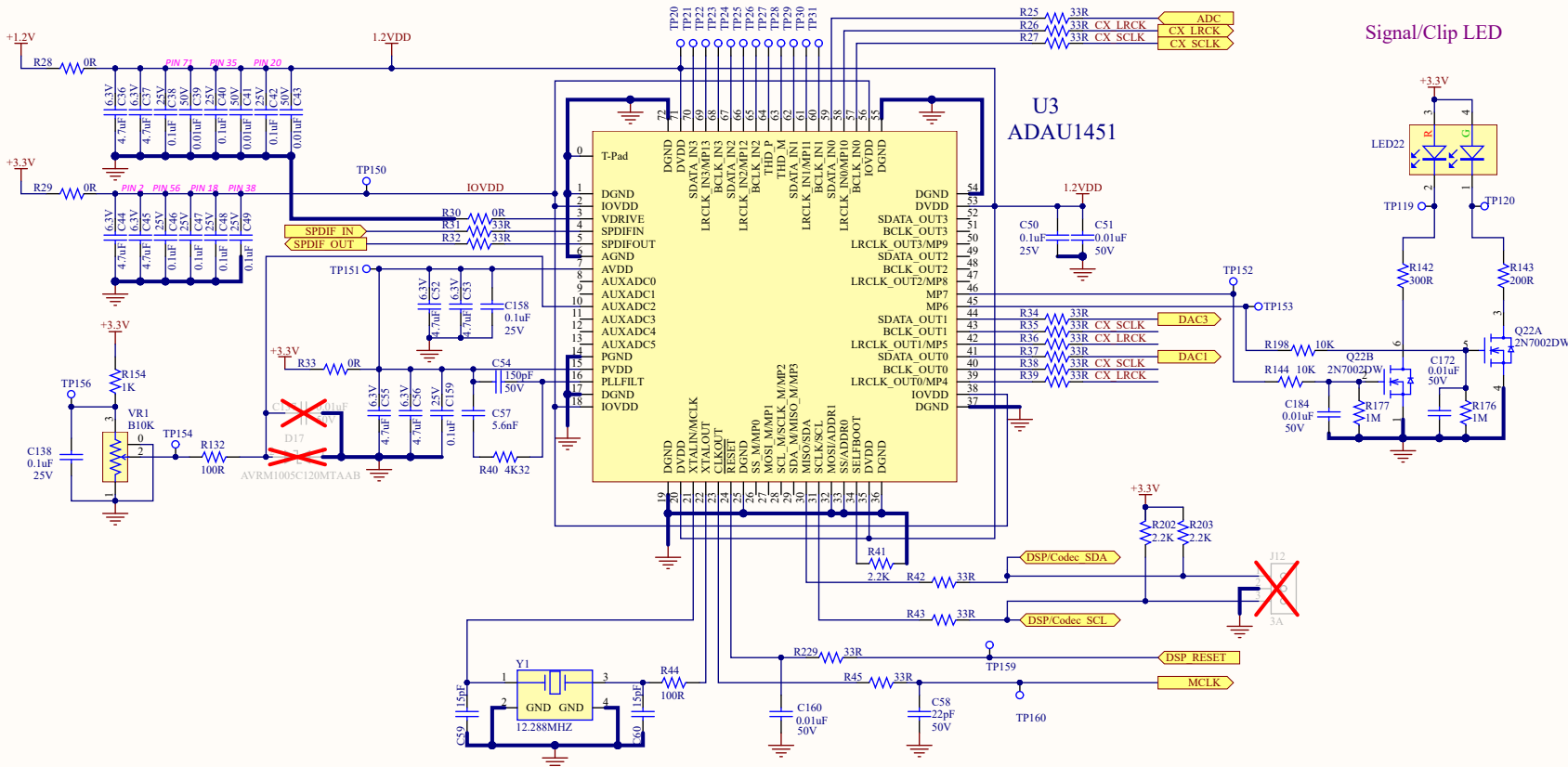


BassMatch Port IN



Connect to Power& Board





Grand Prix Sub Main Board				Description of Changes/Notes	Rev.
Product: Grand Prix					
File Name: DSP_SchDoc					
Part Number: Part Number		Size: A3			
Revision: 2.0.1	Drawn By: xujun.Chen	Mod By: *			
Status: D/P2.0.1	Checked By: *	Mod Date: 2020/2/28			
Lead Engineer: *	Approved By: *				
Date: 2020/3/17	Time: 8:47:49	Sheet: 3 of 7			

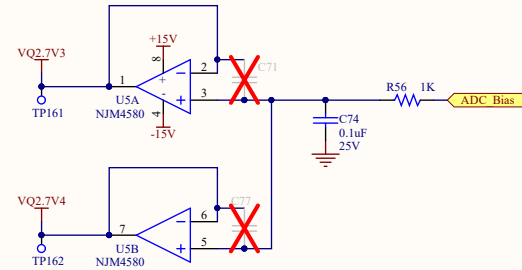
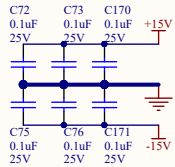
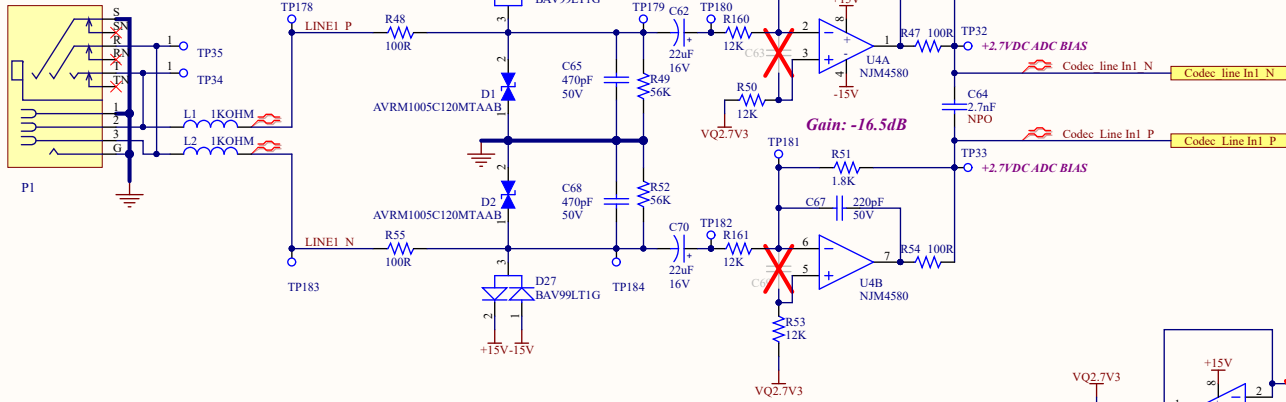


864960-001S

0.4

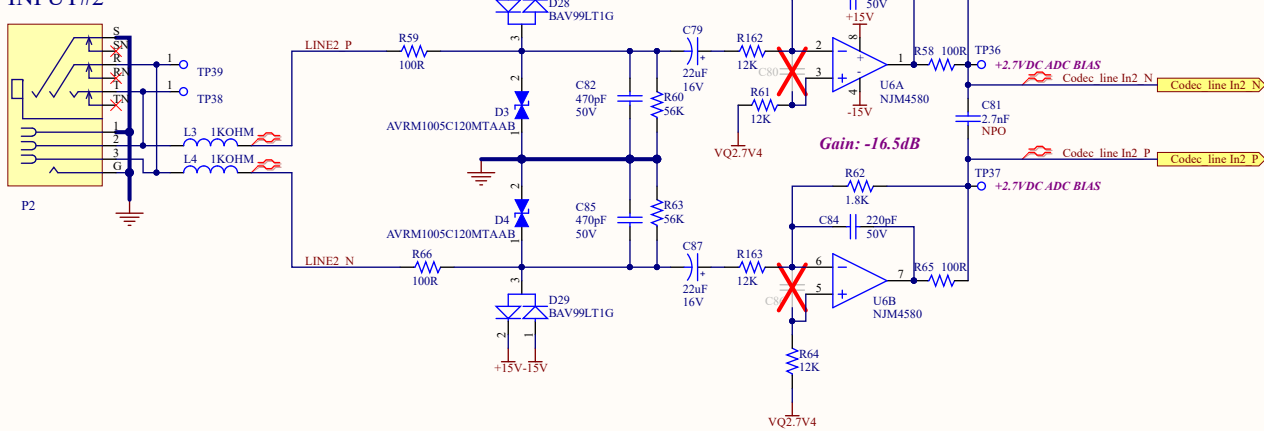
Input level
Sensitivity: +4dBu
MAX: +24dBu

INPUT#1

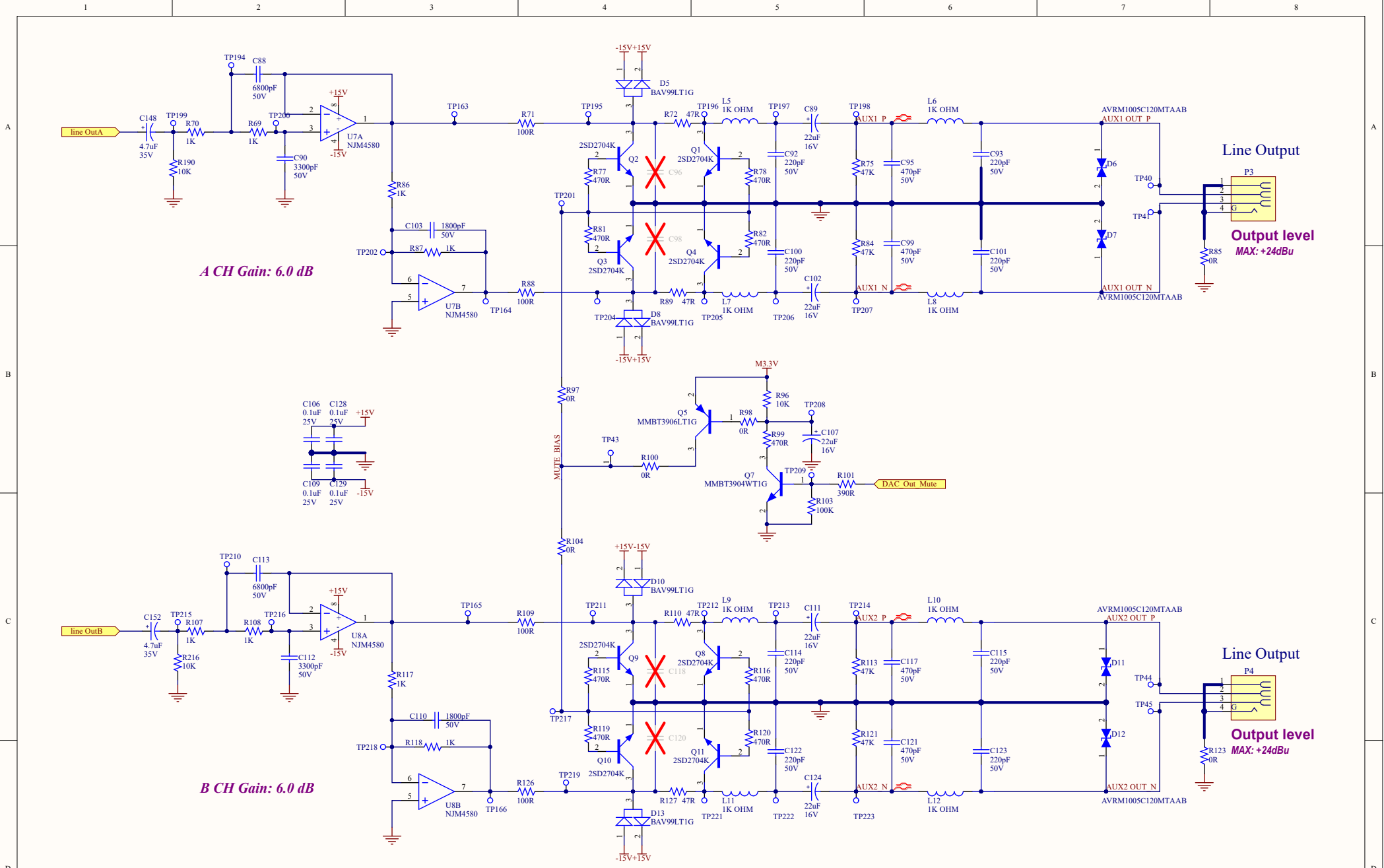


Input level
Sensitivity: +4dBu
MAX: +24dBu

INPUT#2



BOSE	Grand Prix Sub Main Board			Description of Changes/Notes	Rev.
	864960-001S				
Product: Grand Prix		File Name: Line Input_SchDoc		Part Number: Part Number	
Revision: 2.0.1		Drawn By: *		Size: A3	
Status: <i>D/P2.0.1</i>		Checked By: *		Mod Date: 2020/2/28	
Lead Engineer: *		Approved By: *		Mod Date: *	
Date: 2020/3/17		Time: 8:47:49		Sheet: 4 of 7	



A CH Gain: 6.0 dB

B CH Gain: 6.0 dB

Line Output
Output level
MAX: +24dBu

Line Output
Output level
MAX: +24dBu

Grand Prix Sub Main Board				Description of Changes/Notes	Rev.
Product: Grand Prix					
File Name: Line Output_SchDoc					
Part Number: Part Number		Size: A3			
Revision: 2.0.1	Drawn By: *	Mod By: *			
Status: DP2.0.1	Checked By: *	Mod Date: 2020/2/28			
Lead Engineer: *	Approved By: *				
Date: 2020/3/17	Time: 8:47:49	Sheet: 5 of 7			



864960-001S

0.4

Polarity & Cardioid LED

POWER & FAULT LED

LED Indication

Power

Polarity

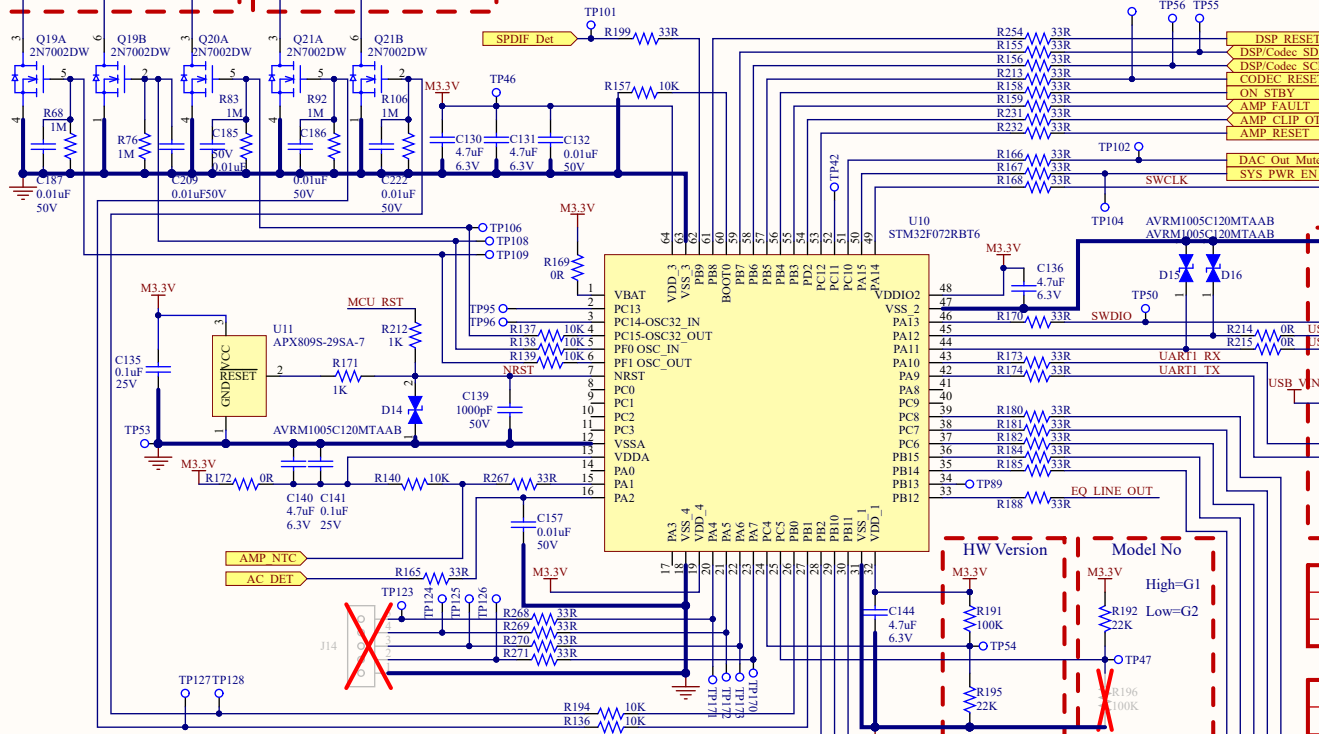
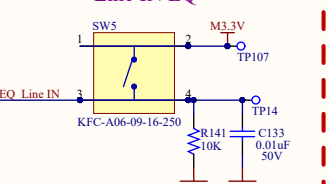
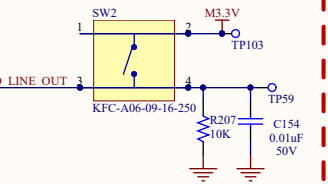
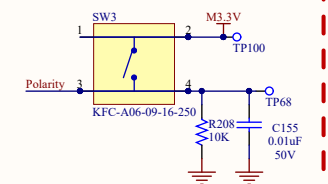
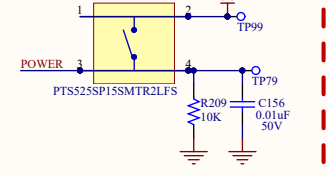
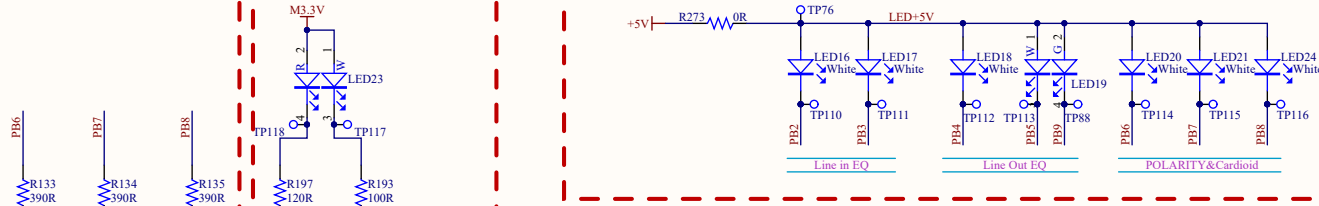
Line Out EQ

Line IN EQ

Line IN EQ-LED

Line Out EQ-LED

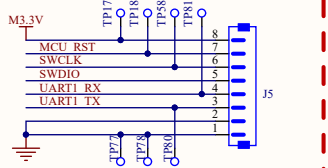
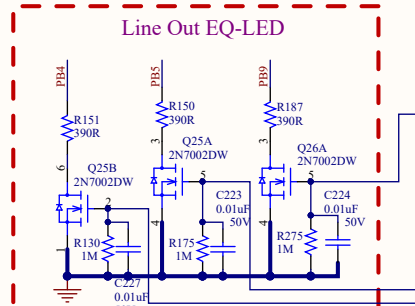
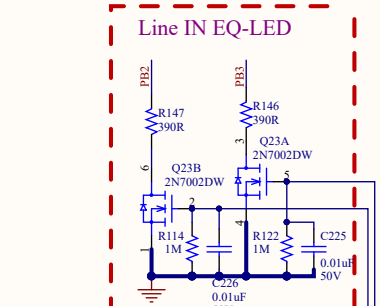
For SW Upgraded/Debug



- DSP RESET
- DSP/Codec SDA
- DSP/Codec SCL
- CODEC RESET
- ON STBY
- AMP FAULT
- AMP CLIP OTW
- AMP RESET
- DAC Out Mute
- SYS PWR-EN

Model No	R192	R196
G1	22K	NC
G2	NC	100K

HW Version	R191	R195
DP0	2.7V	22K
DP1.1	0.3V	100K
DP2	0.6V	100K
MP1	0.9V	100K
PILOT	1.2V	100K
Production	1.5V	100K



864960-001S

Grand Prix Sub Main Board				Description of Changes/Notes	Rev.
Product:	Grand Prix	File Name:	MCU.SchDoc		
Part Number:	Part Number	Size:	A3		
Revision:	2.0.1	Drawn By:		Mod By:	
Status:	D/P2.0.1	Checked By:	*	Mod Date:	2020/3/4
Lead Engineer:	*	Approved By:	*		
Date:	2020/3/17	Time:	8:47:49	Sheet:	6 of 7

