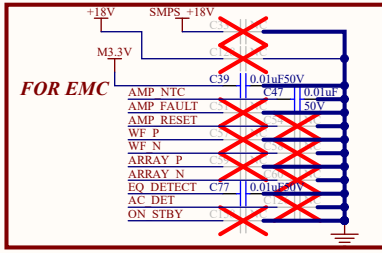
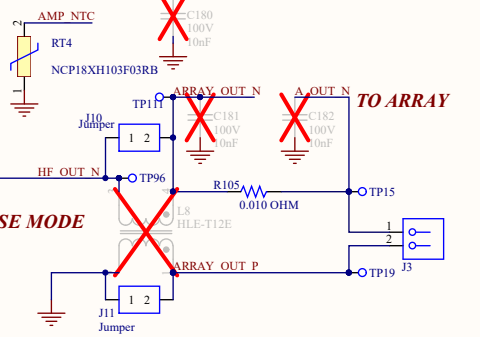
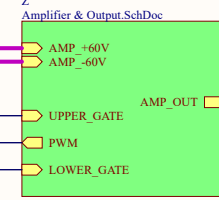
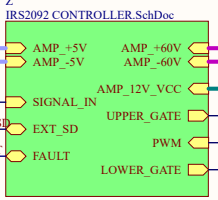
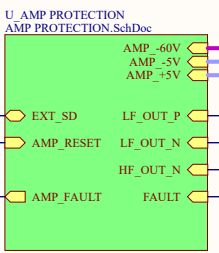
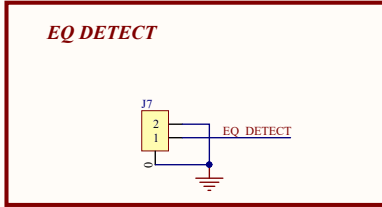
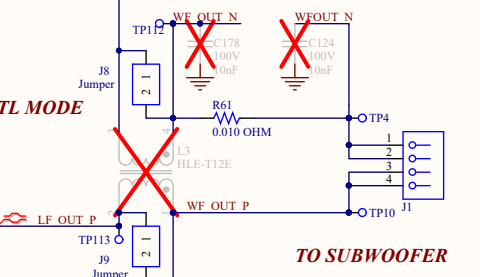
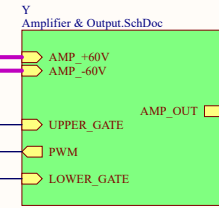
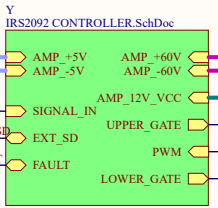
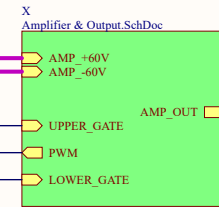
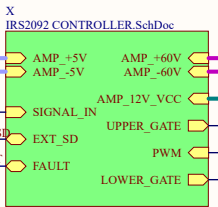
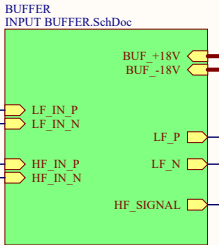
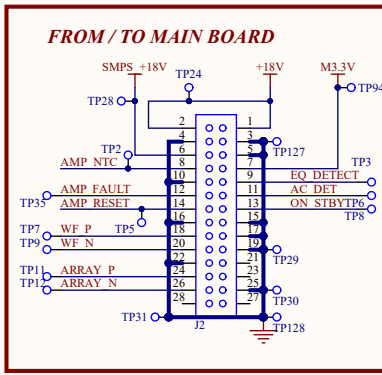
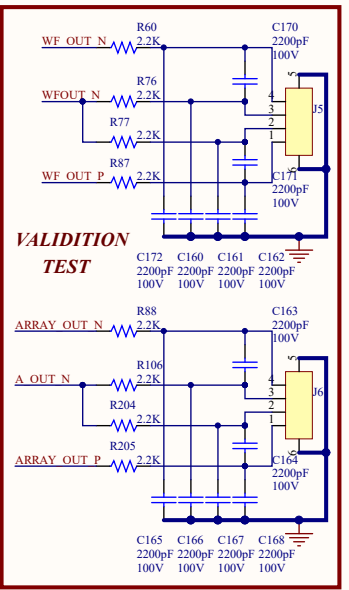
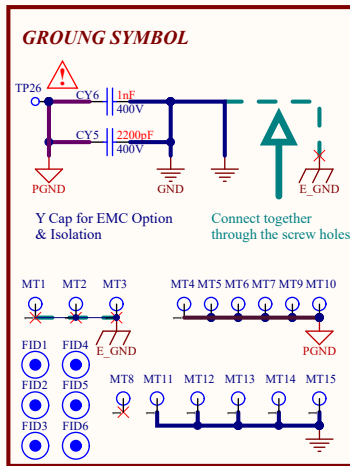
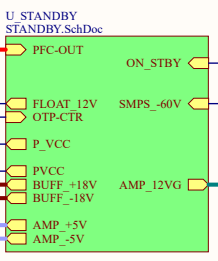
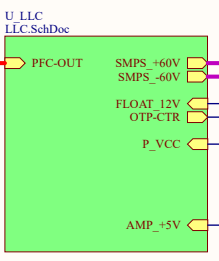
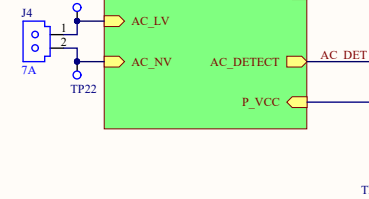
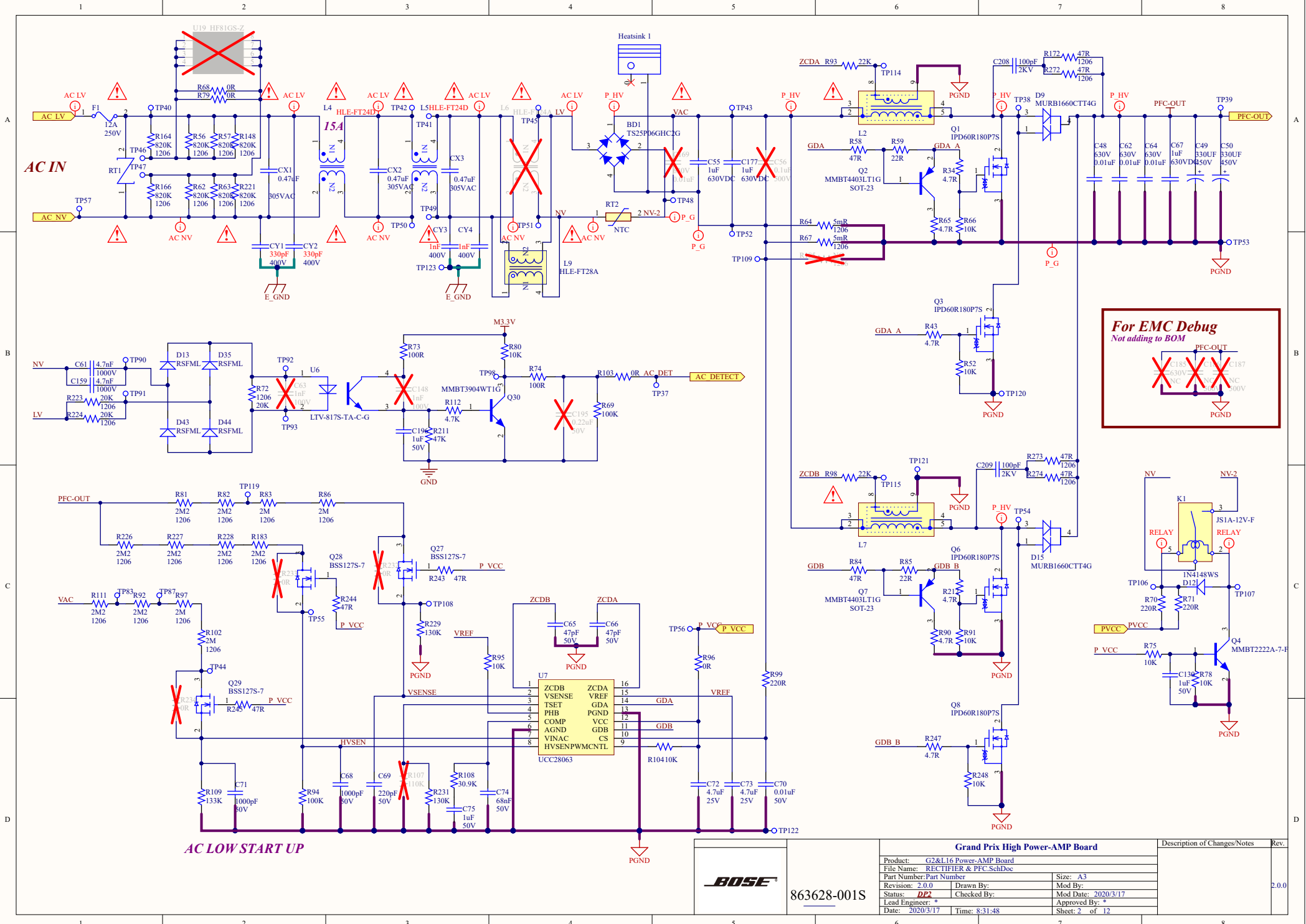


**AC IN**



<b>BOSE</b>	863628-001S	<b>Grand Prix High Power-AMP Board</b>			Description of Changes/Notes	Rev.
		Product: G2&L16 Power-AMP Board	File Name: SYSTEM BLOCK.SchDoc	Part Number: Part Number		
Revision: 2.0.0	Drawn By:	Mod By:	Status: <b>D22</b>	Checked By:	Mod Date: 2020/3/13	2.0.0
Lead Engineer: *	Approved By: *	Date: 2020/3/17	Time: 8:31:48	Sheet: 1 of 12		



**For EMC Debug**  
Not adding to BOM

**AC LOW START UP**

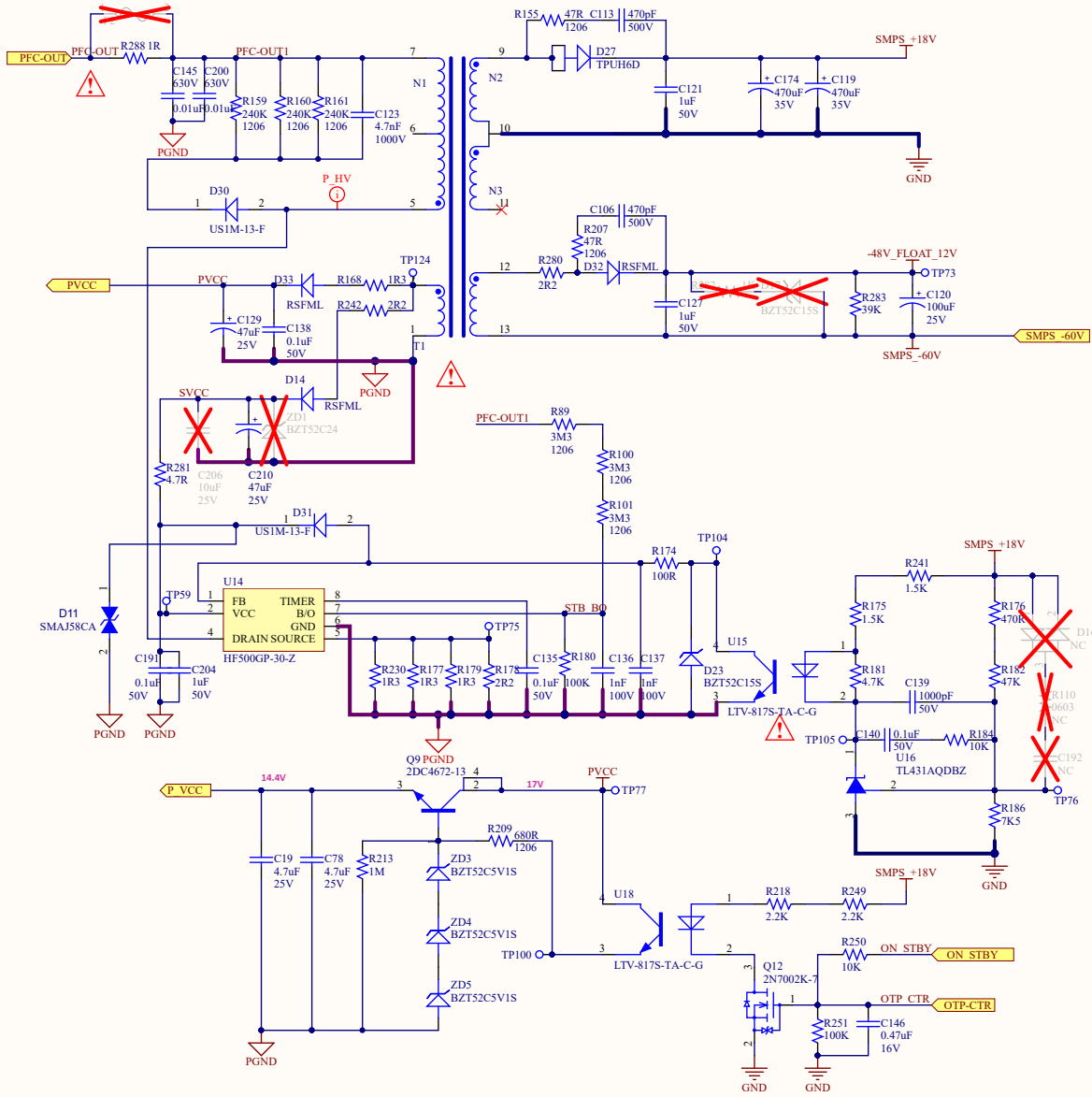


863628-001S

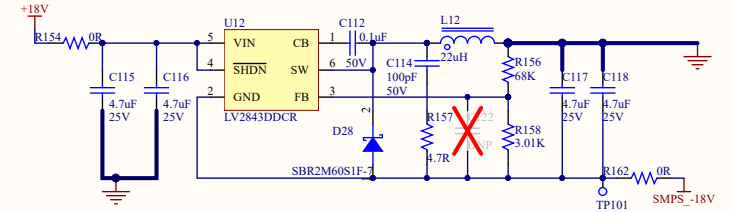
Grand Prix High Power-AMP Board				Description of Changes/Notes	Rev.
Product:	G2&L16 Power-AMP Board	File Name:	RECTIFIER & PFC.SchDoc		
Part Number:	Part Number	Size:	A3		
Revision:	2.0.0	Drawn By:	Mod By:		
Status:	D/P	Checked By:	Mod Date: 2020/3/17		
Lead Engineer:	*	Approved By:	*		
Date:	2020/3/17	Time:	8:31:48		
		Sheet:	2 of 12		



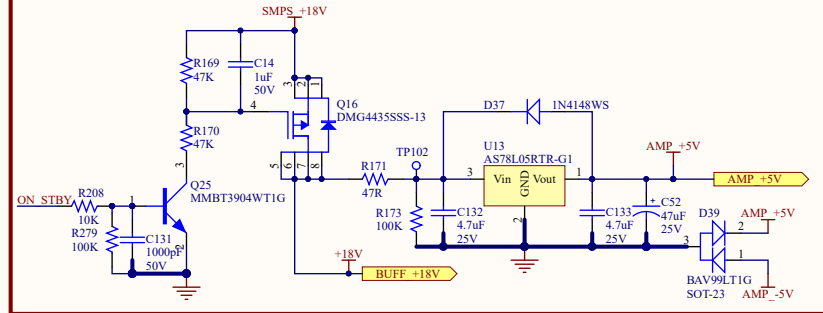
### STANDBY POWER



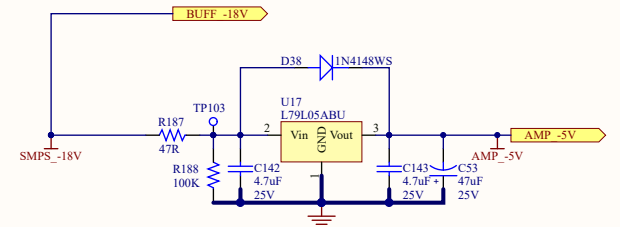
### -18V POWER



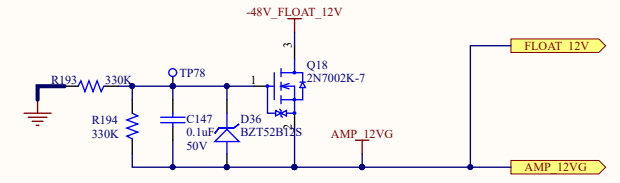
### AMP +5V



### AMP -5V



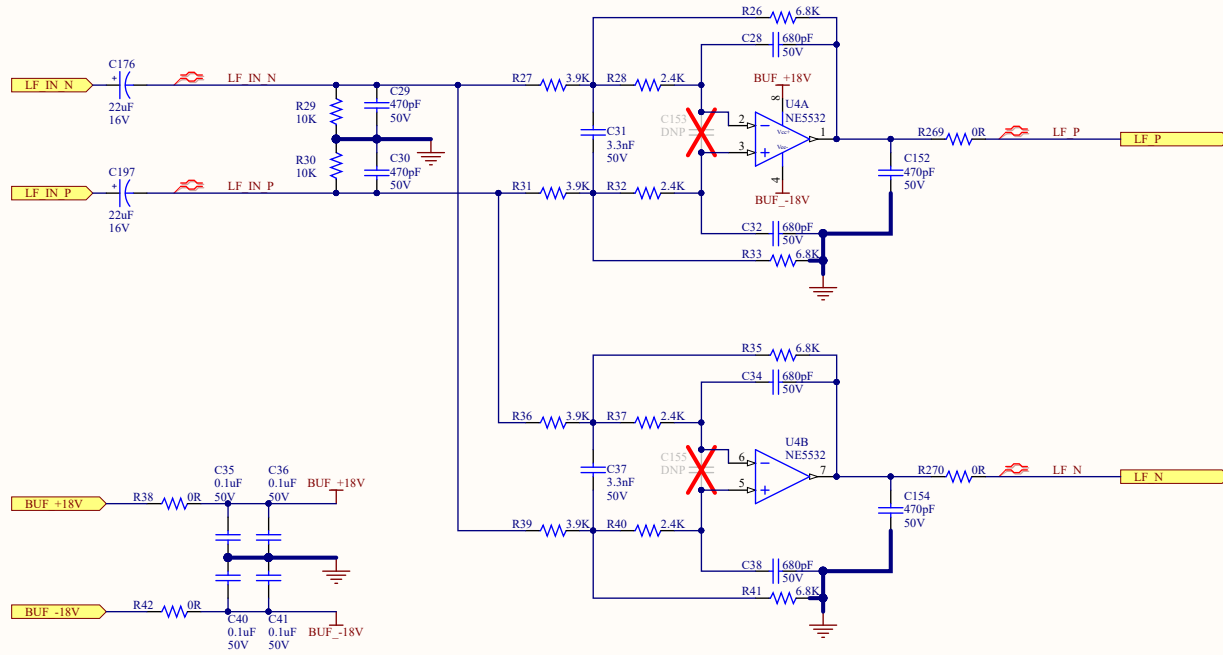
### AMP 12V VCC



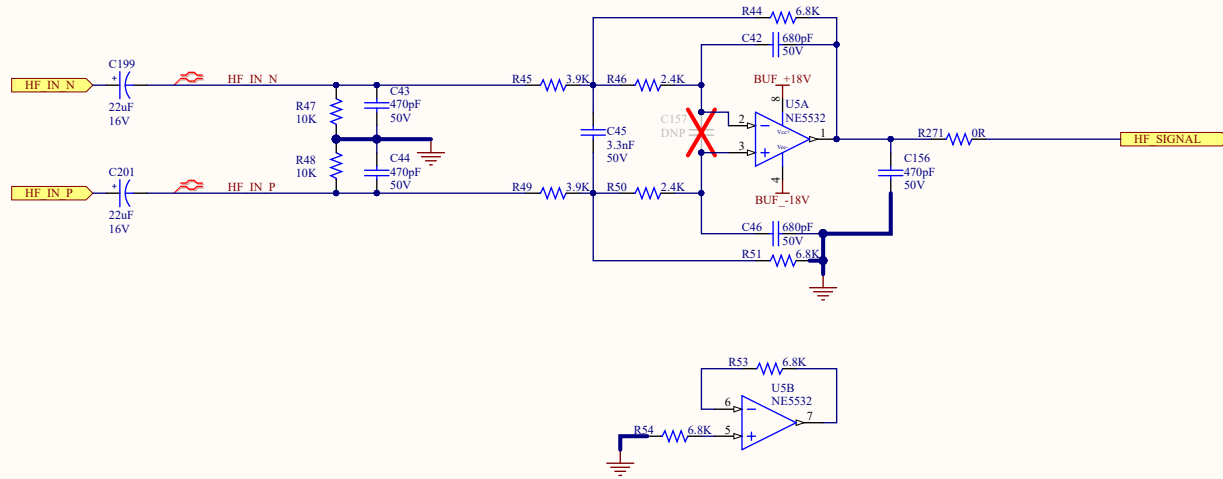
863628-001S

Grand Prix High Power-AMP Board				Description of Changes/Notes	Rev.
Product: G2&L16 Power-AMP Board					
File Name: STANDBY_SchDoc					
Part Number: Part Number	Size: A3				
Revision: 2.0.0	Drawn By:	Mod By:			
Status: D/P	Checked By:	Mod Date: 2020/3/13			
Lead Engineer: *	Approved By: *				
Date: 2020/3/17	Time: 8:31:49	Sheet: 4 of 12			

### LF INPUT BUFER



### HF INPUT BUFER



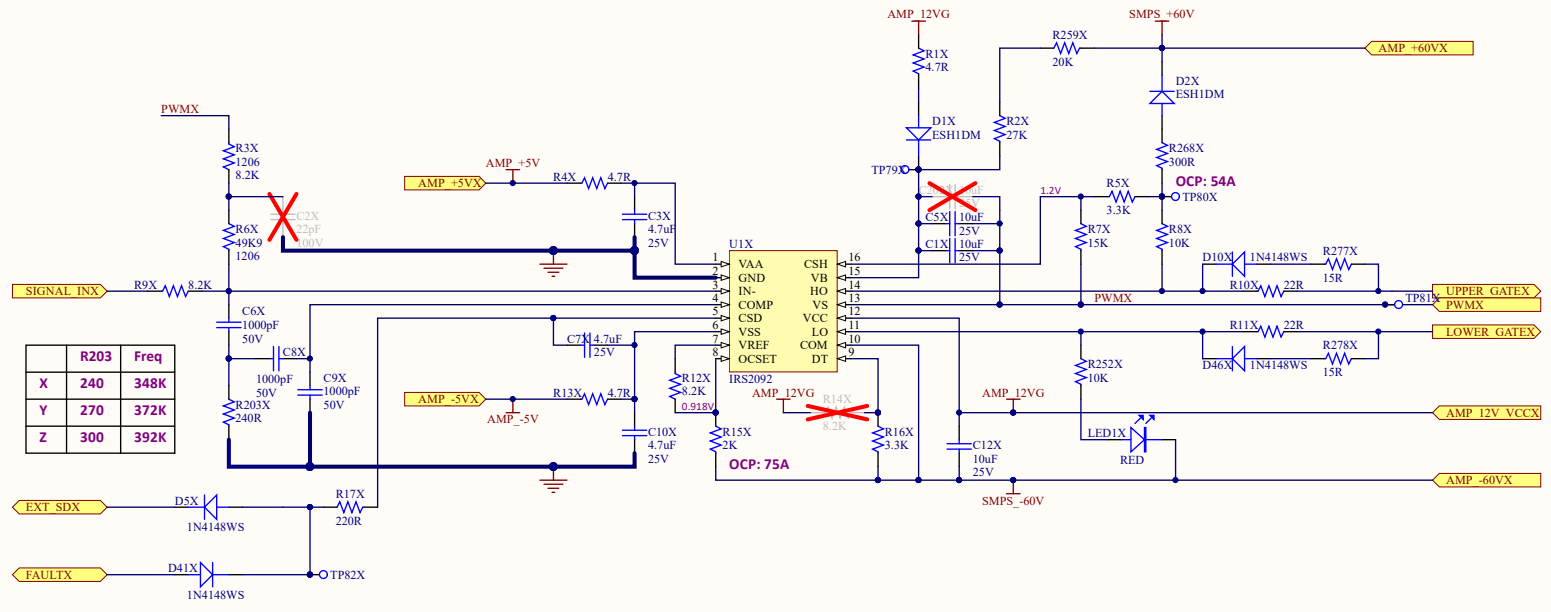
863628-001S

#### Grand Prix High Power-AMP Board

Product: G2&L16 Power-AMP Board		Description of Changes/Notes		Rev:
File Name: INPUT BUFFER.SchDoc				
Part Number: Part Number	Size: A3			
Revision: 2.0.0	Drawn By:	Mod By:		
Status: <b>D2</b>	Checked By:	Mod Date: 2019/11/25		
Lead Engineer: *	Approved By: *			
Date: 2020/3/17	Time: 8:31:49	Sheet: 5 of 12		

2.0.0

# POWER AMP CONTROLLER

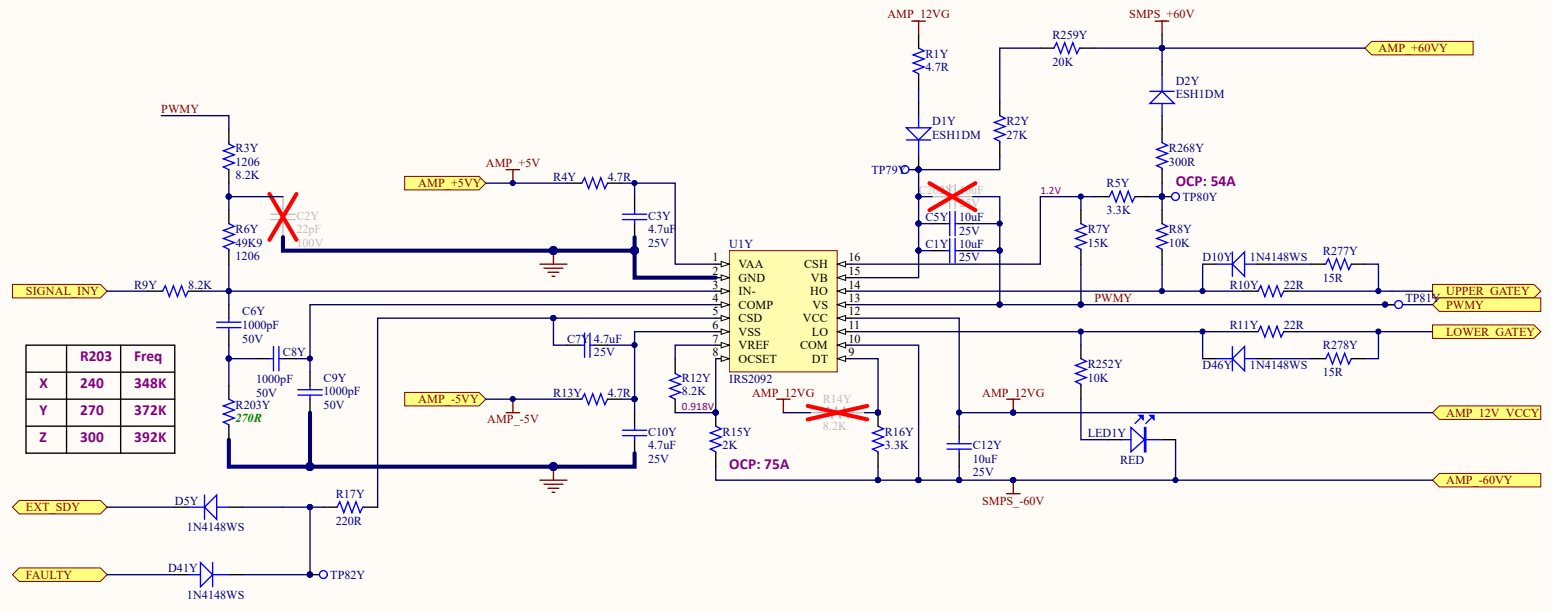


863628-001S

Grand Prix High Power-AMP Board			
Product: G2&L16 Power-AMP Board			
File Name: IRS2092 CONTROLLER.SchDoc			
Part Number: Part Number		Size: A3	
Revision: 2.0.0	Drawn By:	Mod By:	
Status: <b>D2</b>	Checked By:	Mod Date: 2020/3/10	
Lead Engineer: *	Approved By: *		
Date: 2020/3/17	Time: 8:31:49	Sheet: 6 of 12	

Description of Changes/Notes	Rev.
	2.0.0

# POWER AMP CONTROLLER

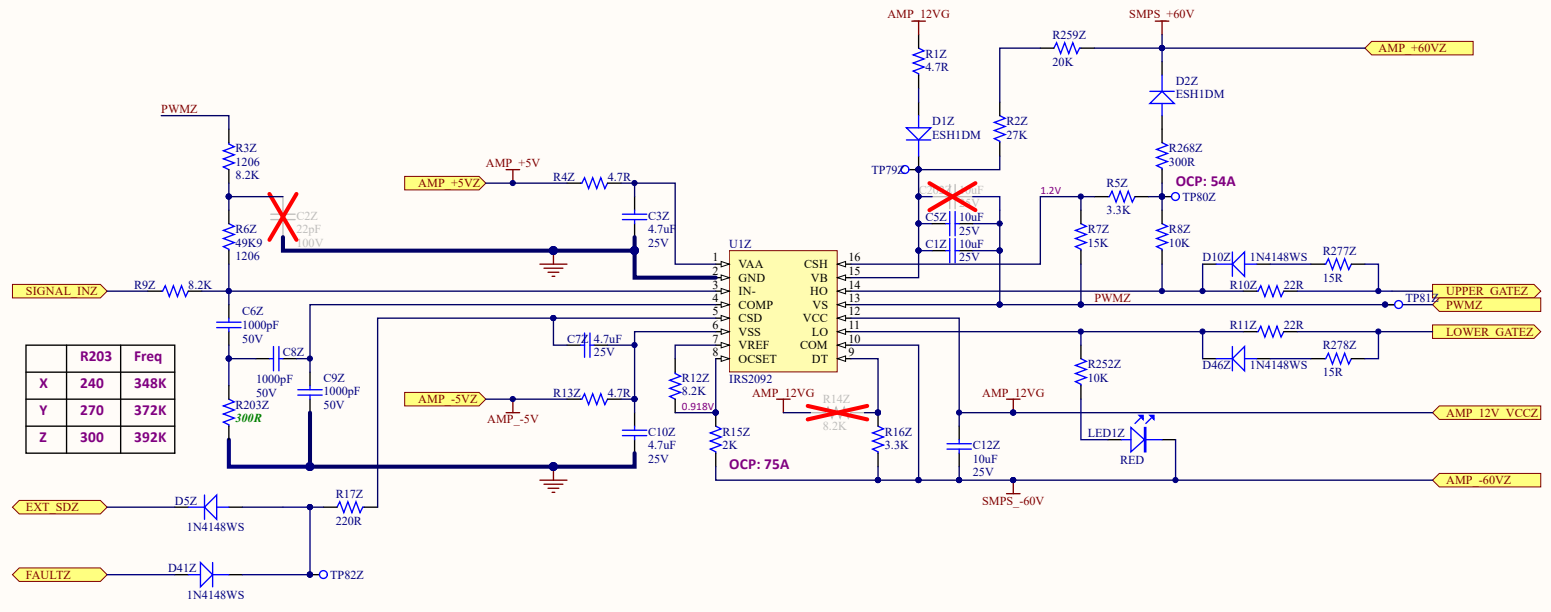


863628-001S

Grand Prix High Power-AMP Board			
Product: G2&L16 Power-AMP Board			
File Name: IRS2092 CONTROLLER.SchDoc			
Part Number: Part Number		Size: A3	
Revision: 2.0.0	Drawn By:	Mod By:	
Status: <b>D2</b>	Checked By:	Mod Date: 2020/3/10	
Lead Engineer: *	Approved By: *		
Date: 2020/3/17	Time: 8:31:49	Sheet: 7 of 12	

Description of Changes/Notes	Rev.
	2.0.0

# POWER AMP CONTROLLER



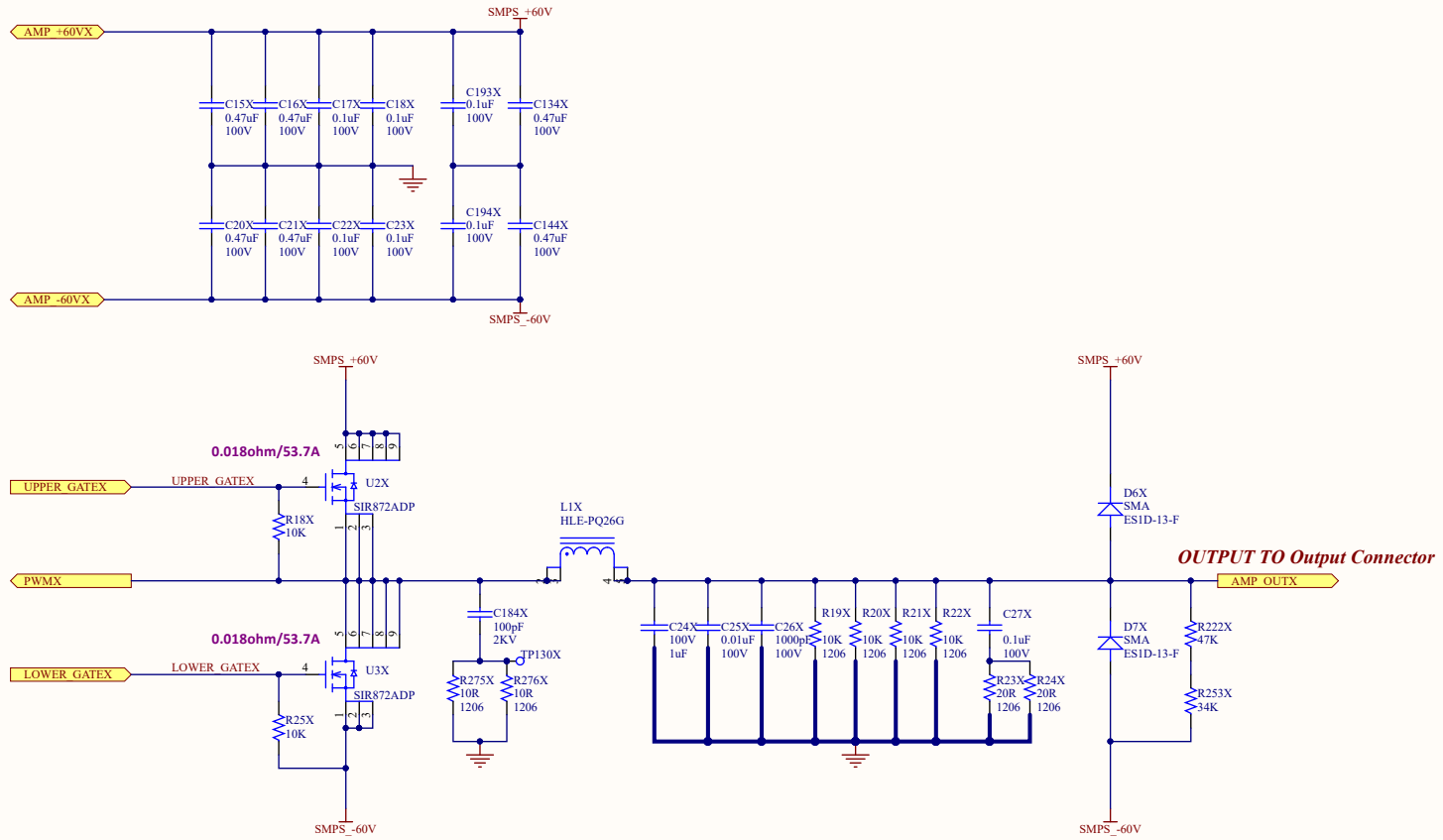
863628-001S


Grand Prix High Power-AMP Board			
Product: G2&L16 Power-AMP Board			
File Name: IRS2092 CONTROLLER.SchDoc			
Part Number: Part Number		Size: A3	
Revision: 2.0.0	Drawn By:	Mod By:	
Status: <b>D2</b>	Checked By:	Mod Date: 2020/3/10	
Lead Engineer: *	Approved By: *		
Date: 2020/3/17	Time: 8:31:49	Sheet: 8 of 12	

Description of Changes/Notes	Rev.
	2.0.0



# POWER AMP OUTPUT STAGE



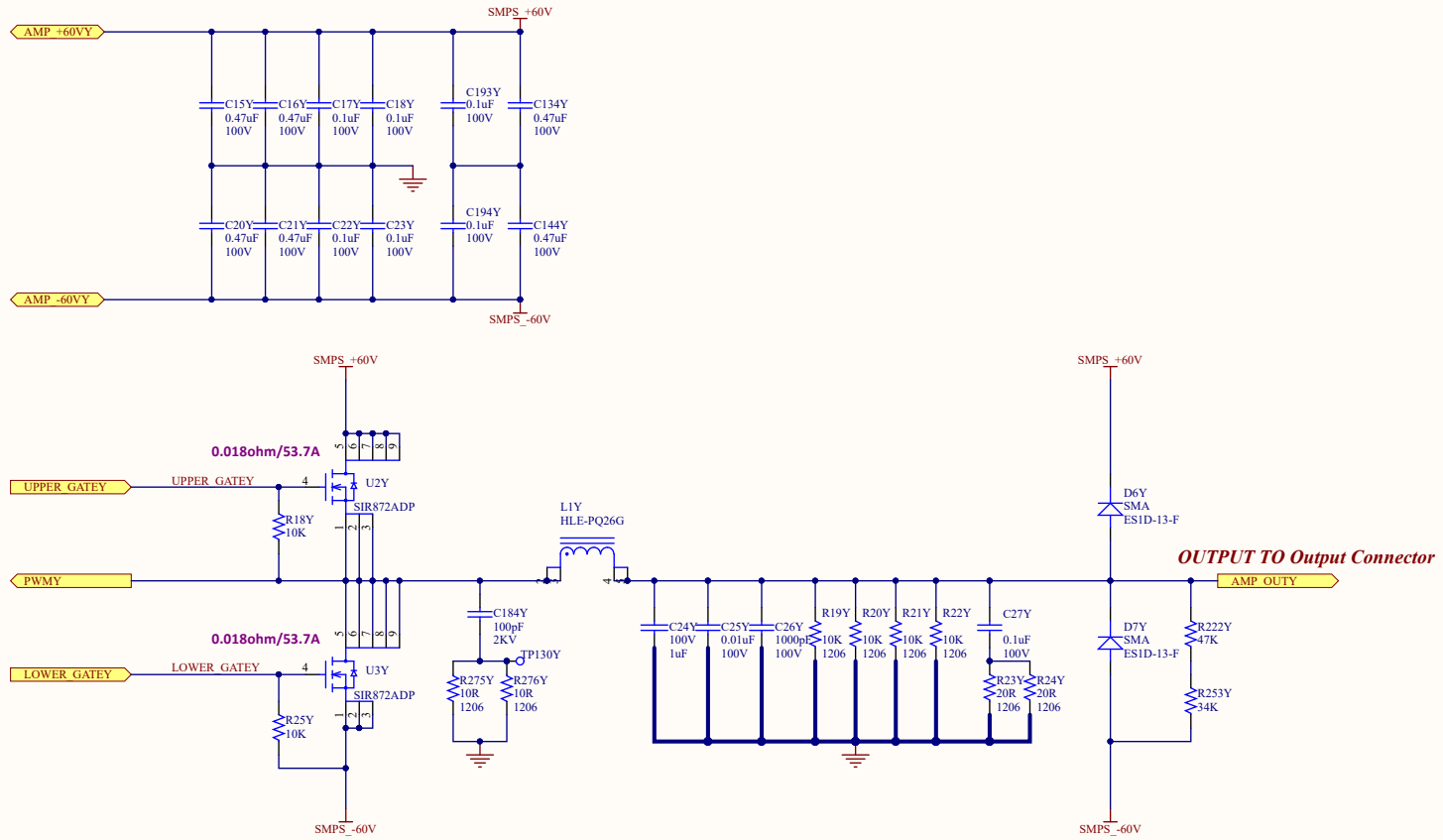



863628-001S

**Grand Prix High Power-AMP Board**

Product: G2&L16 Power-AMP Board		Description of Changes/Notes		Rev.
File Name: Amplifier & Output.SchDoc				
Part Number: Part Number		Size: A3		
Revision: 2.0.0	Drawn By:	Mod By:		
Status: <b>DD</b>	Checked By:	Mod Date: 2020/3/16		
Lead Engineer: *	Approved By: *			
Date: 2020/3/17	Time: 8:31:50	Sheet: 9 of 12		

# POWER AMP OUTPUT STAGE





863628-001S

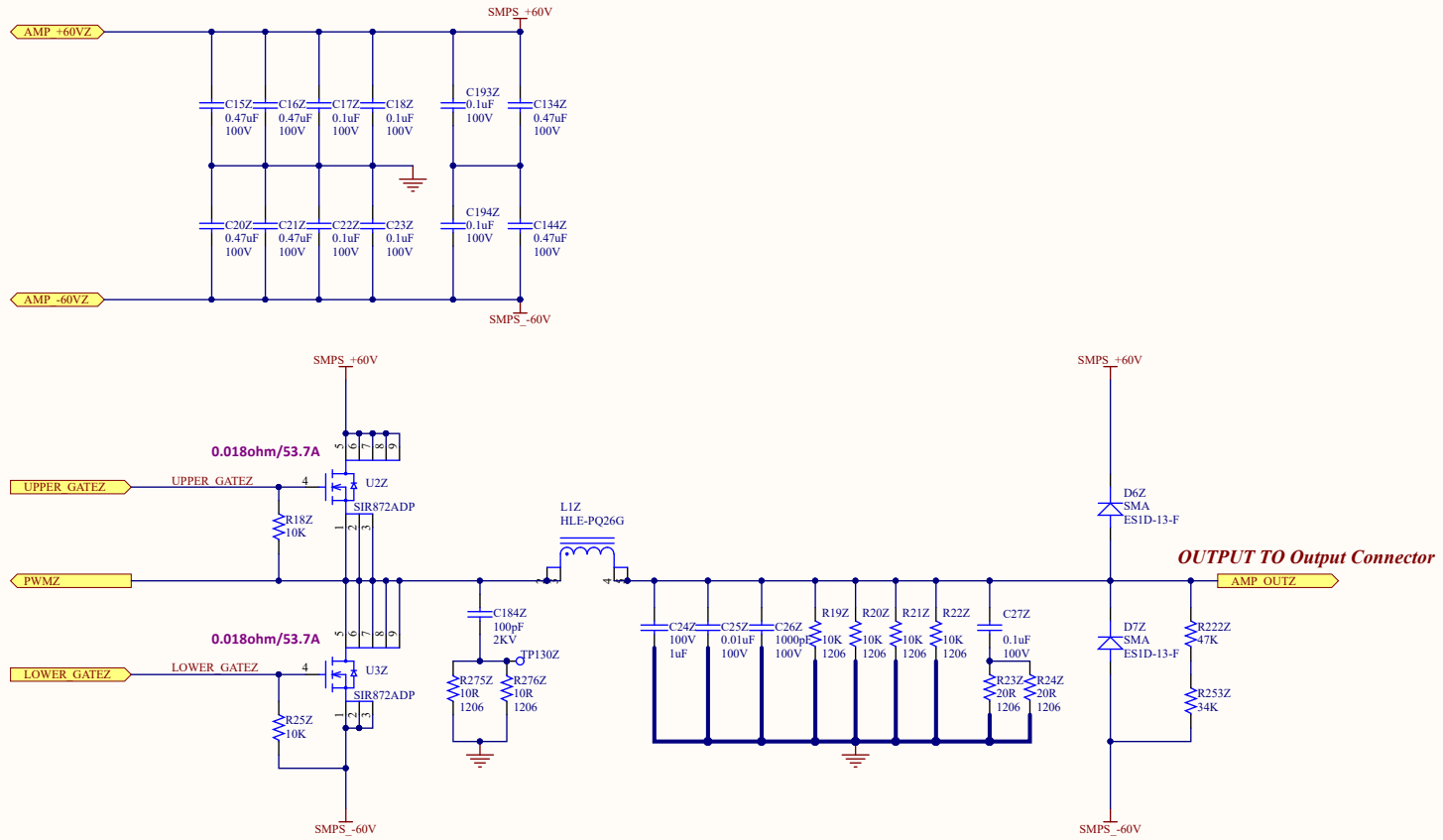
**Grand Prix High Power-AMP Board**


Product: G2&L16 Power-AMP Board		Description of Changes/Notes		Rev.
File Name: Amplifier & Output.SchDoc				
Part Number: Part Number		Size: A3		
Revision: 2.0.0	Drawn By:	Mod By:		
Status: <b>DD</b>	Checked By:	Mod Date: 2020/3/16		
Lead Engineer: *	Approved By: *	Sheet: 10 of 12		
Date: 2020/3/17	Time: 8:31:50			

A  
B  
0.1.8  
C  
D

A  
B  
C  
D

# POWER AMP OUTPUT STAGE



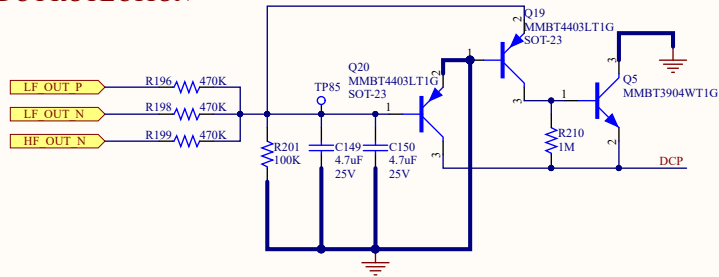


863628-001S

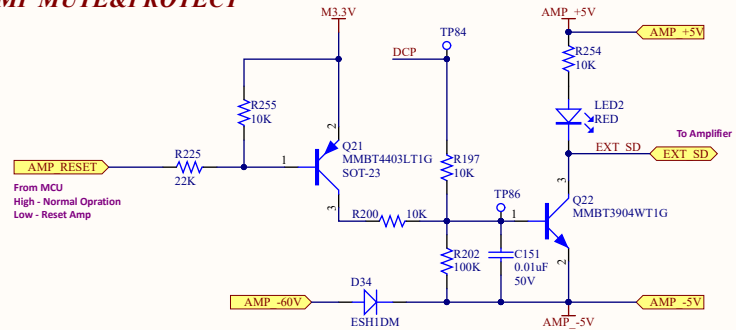
**Grand Prix High Power-AMP Board**

Product: G2&L16 Power-AMP Board		Description of Changes/Notes		Rev.
File Name: Amplifier & Output_SchDoc				
Part Number: Part Number		Size: A3		
Revision: 2.0.0	Drawn By:	Mod By:		
Status: <b>DD</b>	Checked By:	Mod Date: 2020/3/16		
Lead Engineer: *	Approved By: *			
Date: 2020/3/17	Time: 8:31:50	Sheet: 11 of 12		

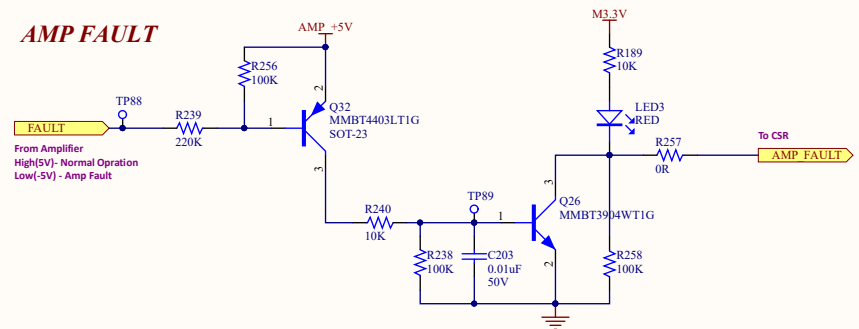
### DC PROTECTION




### AMP MUTE & PROTECT



### AMP FAULT



	863628-001S	<b>Grand Prix High Power-AMP Board</b>			Description of Changes/Notes	Rev.
		Product: G2&L16 Power-AMP Board	File Name: AMP PROTECTION.SchDoc			
		Part Number: Part Number	Size: A3			
		Revision: 2.0.0	Drawn By:	Mod By:		2.0.0
		Status: <i>DD</i>	Checked By:	Mod Date: 2019/11/25		
		Lead Engineer: *		Approved By: *		
		Date: 2020/3/17	Time: 8:31:50	Sheet: 12 of 12		