

WBP-8 Pan and Tilt Bracket

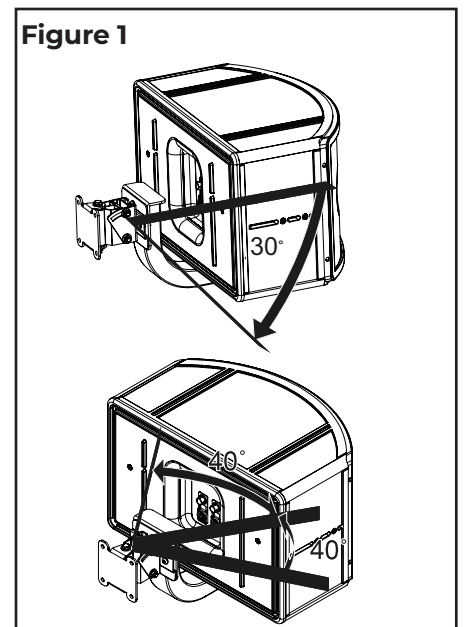
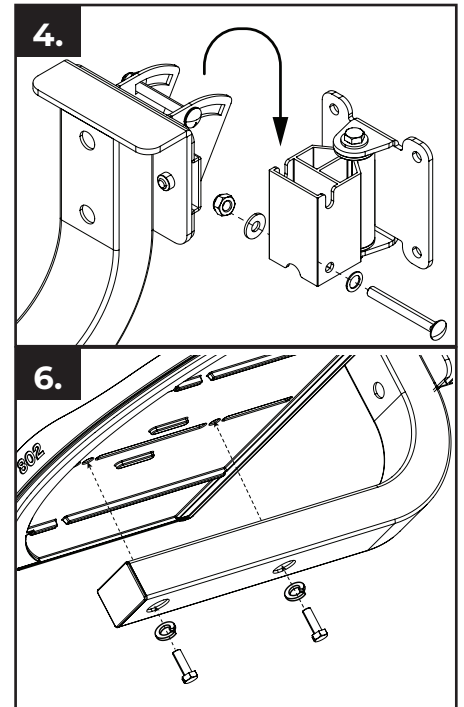
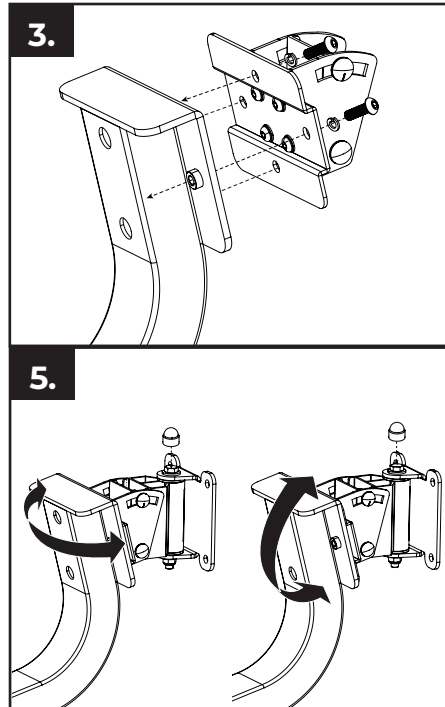
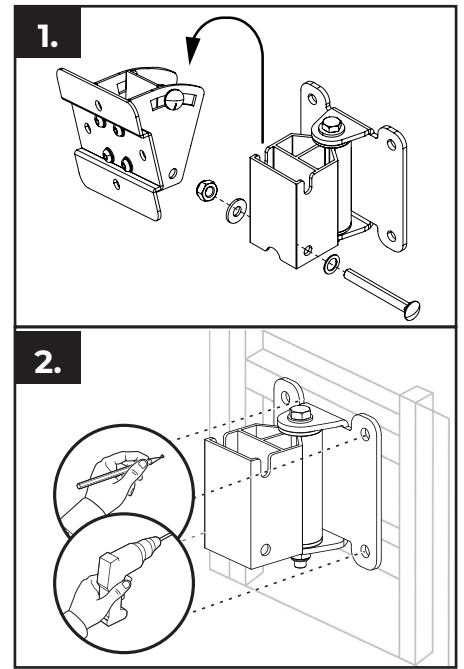
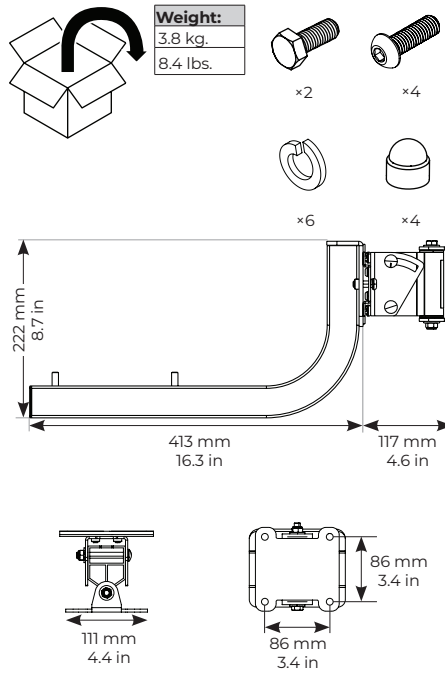


Figure 1

©2024 Transom Post OpCo LLC. All rights reserved.
BoseProfessional.com
AM/A00202 Rev. 01 November 2024



A00202-0020



ENGLISH

CAUTION: 802 Series V loudspeakers weigh 16.7 kg (36.8 lb). Use caution when lifting to avoid injury and/or damage to the loudspeaker. Do not rest loudspeakers on their grilles. Choose a mounting location that will safely support the weight of the loudspeaker. Choose a position and mounting method consistent with local building codes and regulations.

1. Remove the bracket pin to detach the angle bracket from the wall bracket.
2. Mark and drill four holes into the wall. Secure the pan and tilt bracket to the wall using four screws.
3. Attach the arm bracket to the angle bracket using the included screws and lock washers. Tighten.
4. Reattach the angle bracket to the wall bracket and secure it with the bracket pin.
5. Choose your desired mounting position (see **Figure 1**) and tighten the bolts on the pan and tilt bracket to secure it in place.
6. Attach the 802 loudspeaker to the arm bracket using the two included hex screws and two lock washers. Tighten and, if desired, cover all bolts with included screw caps.

简体中文

警告: 802 系列 V 扬声器重量为 16.7 千克 (36.8 磅)。抬起时请小心, 以免造成人身伤害和/或扬声器损坏。请勿将扬声器放在其网罩上。选择一个可安全承载扬声器重量的安装位置。选择符合当地建筑法规和条例的位置和安装方法。

1. 取下支架销, 将角托架从墙面支架上拆下。
2. 做好钻孔记号, 在墙上打 4 个洞。使用 4 个螺钉将双轴墙架固定到墙壁上。
3. 使用随附的螺钉和锁紧垫圈将支架臂固定在角托架上。拧紧。
4. 将角托架重新固定到墙面支架上, 并用支架销将其固定。
5. 选择所需的安装位置 (参见图 1), 拧紧双轴墙架上的螺栓, 将其固定到位。
6. 使用随附的两个螺钉和两个锁紧垫圈将 802 扬声器固定在支架臂上。拧紧所有螺栓, 用随附的螺丝帽盖住所有螺栓 (如需要)。



WARNINGS/CAUTIONS

Please read and keep all safety and use instructions.



Contains small parts which may be a choking hazard. Not suitable for children under age 3.

- This product is intended for installation by professional installers only! This document is intended to provide professional installers with basic installation and safety guidelines for this product in typical fixed-installation systems. Please read this document and all safety warnings before attempting installation.
- Unsafe mounting or overhead suspension of any heavy load can result in serious injury or death, and property damage. It is the installer's responsibility to evaluate the reliability of any mounting method used for their application. Only professional installers with the knowledge of proper hardware and safe mounting techniques should attempt to install any loudspeaker overhead.
- All Bose Professional products must be installed in accordance with local, state, federal and industry regulations. It is the installer's responsibility to ensure installation of the loudspeakers and mounting system is performed in accordance with all applicable codes, including local building codes and regulations. Consult the local authority having jurisdiction before installing this product.
- Use only the hardware and accessories included or specified by Bose Professional.
- Do not mount on surfaces that are not sturdy, or that have hazards concealed behind them, such as electrical wiring or plumbing.
- Do not make unauthorized alterations to this product.
- Do not expose loudspeaker or mounting components to any chemical substances that are not specified by Bose Professional, including but not limited to lubricants, cleaning agents, contact sprays, or other hydrocarbon-based solvents. Exposure to such substances can lead to degradation of the plastic material, resulting in cracking and creating a falling hazard.
- Do not place or install the bracket or product near any heat sources, such as fireplaces, radiators, heat registers or other apparatus (including amplifiers) that produce heat.

EU Importer: Transom Post Netherlands B.V., Keizersgracht 391A, 1016 EJ, Amsterdam | **UK Importer:** Transom Post Netherlands UK, Squires House 205a High Street, West Wickham, BR4 0PH | **Japan Importer:** Transom Post International Japan KK Co., Ltd. PMO Tamachi IV Shiba5-29-19, Minato-ku, Tokyo | **Australia Importer:** Transom Post Australia Pty. Ltd., Level 14, 60 Margaret Street, Sydney, NSW 2000 | **China Importer:** Transom Post (Shanghai) Audio Co. Ltd Room 2209, Building 1, 175 Longyao Road, Xuhui District, Shanghai | **Mexico Importer:** POST INTL MEXICO, S. DE R.L. DE C.V. Insurgentes Sur No. 1079, 1st floor, Colonia Noche Buena, Benito Juárez, C.P. 03270, Mexico City | **UAE Importer:** 102 A, Sama Tower Sheikh Zayed Road, Dubai UAE

Bose Professional, 117 South St, Hopkinton, MA 01748 USA

Bose is a trademark of Bose Corporation.

©2024 Transom Post OpCo LLC. No part of this work may be reproduced, modified, distributed or otherwise used without prior written permission.

Warranty Information

This product is covered by a limited warranty. For warranty details, visit [BoseProfessional.com/warranty](https://www.BoseProfessional.com/warranty).



警告/小心

请阅读并保留所有安全和使用说明。



包含可能导致窒息危险的小部件。不适合3岁以下的儿童使用。

- 本产品仅可由专业人员安装！本文档旨在为专业安装人员提供在典型的固定安装系统中安装此产品时适用的基本安装和安全指南。在安装之前，请先阅读本文档和所有安全警告。
- 以不安全的方式登高安装或吊装任何重物可能导致严重的人身伤害、死亡或财产损失。安装人员有责任评估在其应用中所使用的任何安装方法的可靠性。只有正确了解硬件且掌握安全安装技术的专业安装人员才能尝试安装任何吊装式扬声器。
- 所有 Bose Professional 产品的安装都必须遵守当地、州/省/市/自治区、联邦和行业规范。安装人员有责任确保扬声器和安装系统的安装都符合适用的法规，包括当地的建筑法规和规定。安装本产品前，请咨询拥有司法管辖权的当地监管机构。
- 仅使用随附安装紧固件和附件或 Bose Professional 指定的安装紧固件和附件。
- 请勿将本产品安装在不结实或有潜在危险的表面，比如铺有电线或管道的地方。
- 未经授权切勿改装本产品。
- 请勿将扬声器或安装组件接触 Bose Professional 未说明的任何化学物质，包括但不限于润滑剂、清洁剂、触点喷剂或其他烃类溶剂。接触此类物质可能会导致本产品的塑料材料老化，进而导致产品开裂和掉落。
- 请勿将支架或产品放置或安装在任何热源旁边，比如火炉、暖气片、热调节装置或其他可产生热量的设备（包括功放）。

欧洲进口商：Transom Post Netherlands B.V., Keizersgracht 391A, 1016 EJ, Amsterdam | 英国进口商：Transom Post Netherlands UK, Squires House 205a High Street, West Wickham, BR4 0PH | 日本进口商：Transom Post International Japan KK Co., Ltd. PMO Tamachi IV Shiba5-29-19, Minato-ku, Tokyo | 澳大利亚进口商：Transom Post Australia Pty. Ltd., Level 14, 60 Margaret Street, Sydney, NSW 2000 | 中国进口商：Transom Post (Shanghai) Audio Co. Ltd 上海市徐汇区龙耀路 175 号 1 号楼 2209 室 | 墨西哥进口商：POST INTL MEXICO, S. DE R.L. DE C.V. Insurgentes Sur No. 1079, 1st floor, Colonia Noche Buena, Benito Juárez, C.P.03270, Mexico City | 阿联酋进口商：102 A, Sama Tower Sheikh Zayed Road, Dubai UAE

Bose Professional, 117 South St, Hopkinton, MA 01748 USA

Bose 是 Bose Corporation 的商标。ArenaMatch 是 Transom Post OpCo LLC 的商标。

©2024 Transom Post OpCo LLC. 未经事先书面许可，不得复制、修改、分发或以其他方式使用本指南的任何部分。

质保信息

本产品享受有限保修服务。有关质保详细信息，请访问 [BoseProfessional.com/warranty](https://www.BoseProfessional.com/warranty)。