

SAFETY CONTROLLED

PowerShare PS404A/PS604A
 SMPS PCB Assembly
 PCB P/N: 747922-002S
 Schematic Diagram
 Revision 0D
 Sheet 1 of 9



- Notes:
- 1)NC:The part is not connect
 - 2)**:Please refer to the remark
 - 3)Unless otherwise marked,all resistor is 1/16W,0603
 - 4)Unless otherwise marked,all capacitors voltage is 50V

6

5

4

3

2

1

D

D

C

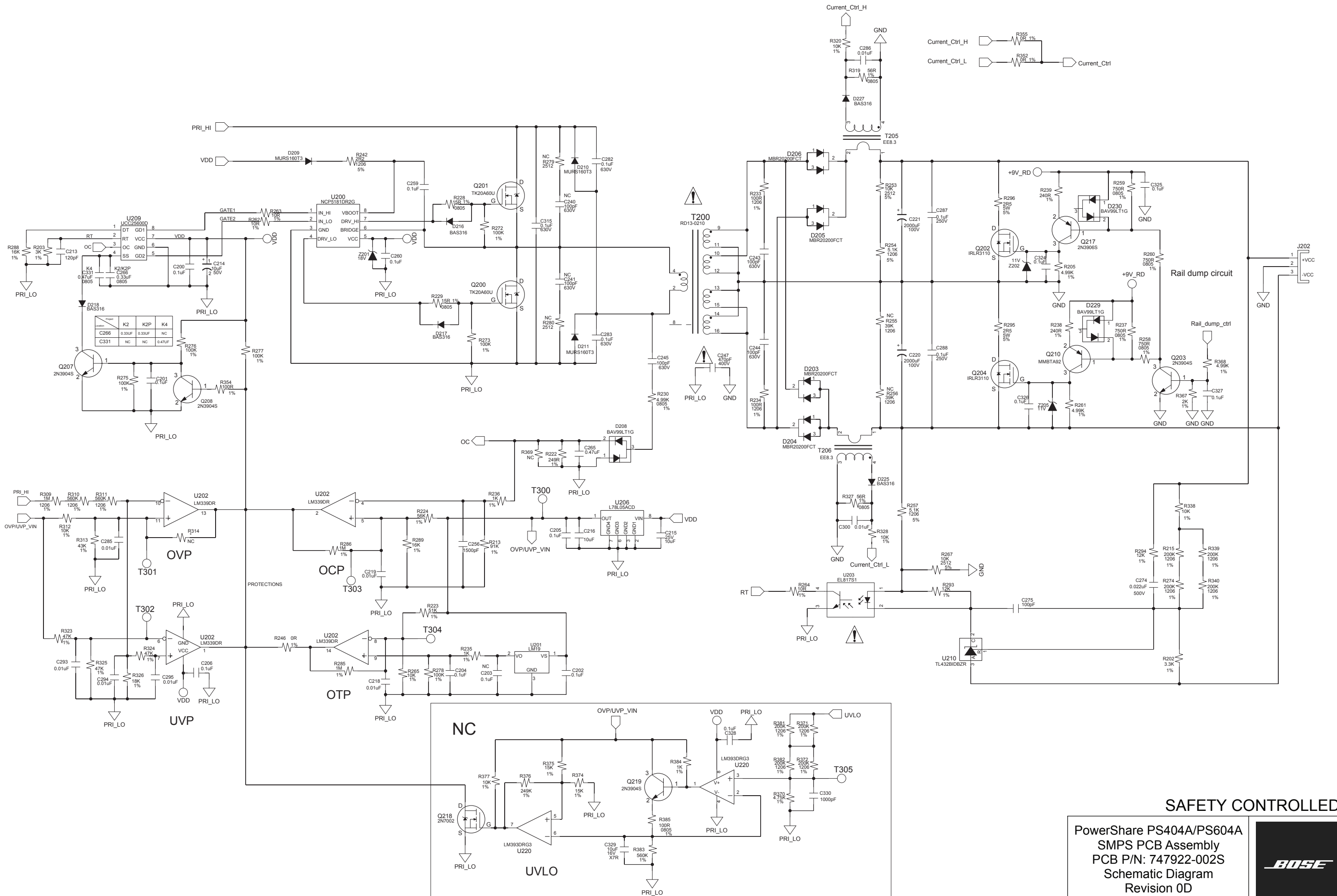
C

B

B

A

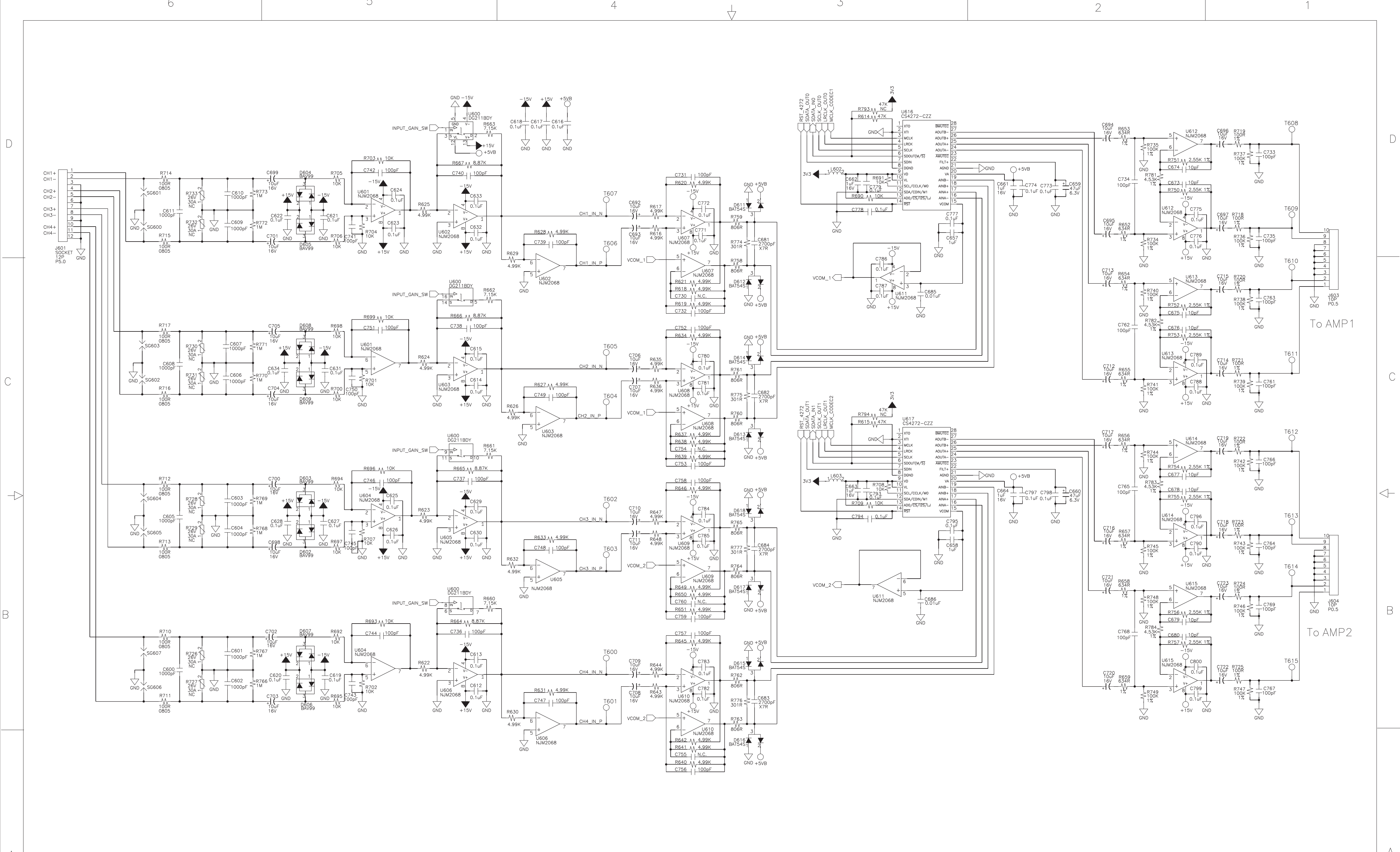
A



SAFETY CONTROLLED

PowerShare PS404A/PS604A
 SMPS PCB Assembly
 PCB P/N: 747922-002S
 Schematic Diagram
 Revision 0D
 Sheet 2 of 9



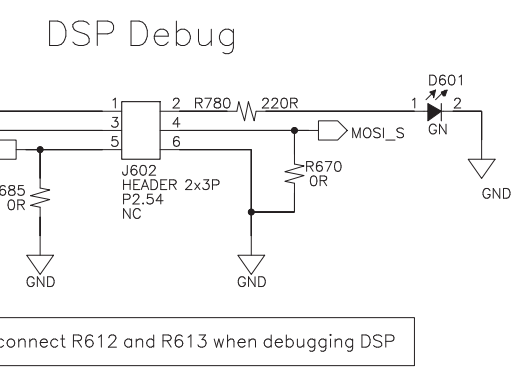
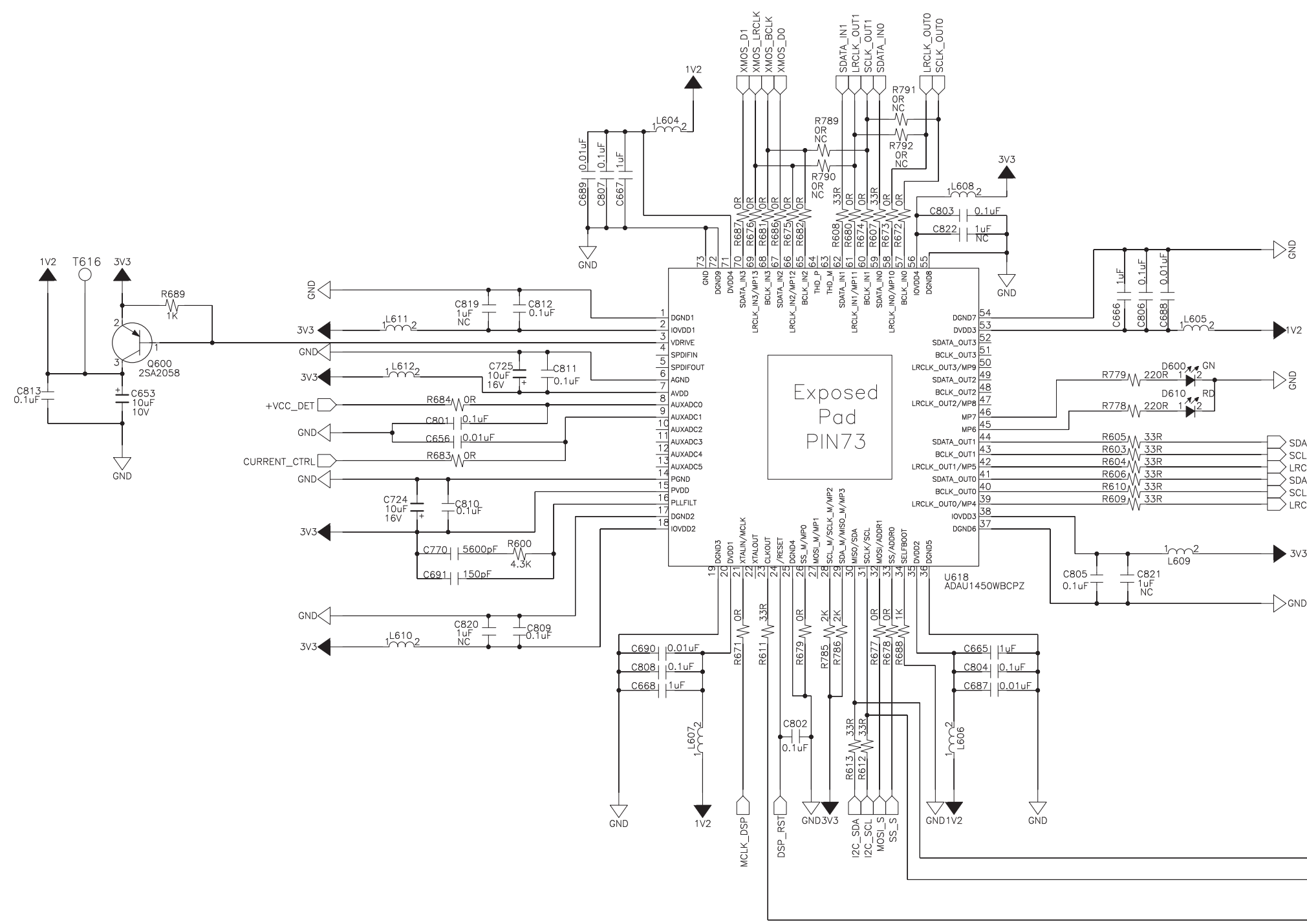


SAFETY CONTROLLED

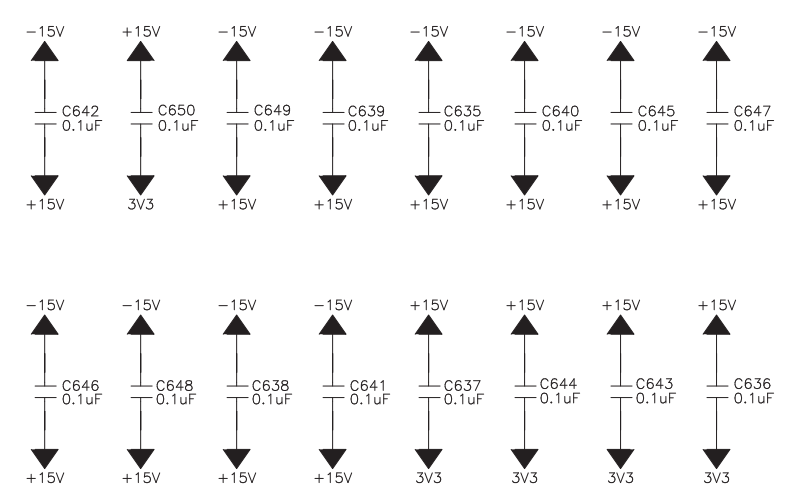
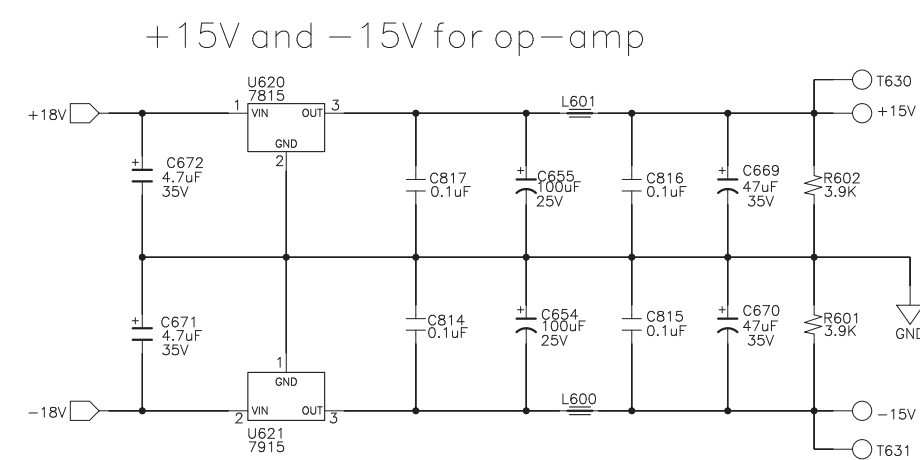
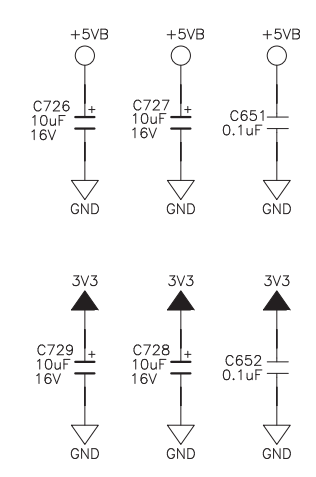
PowerShare PS404A/PS604A
 Rear Panel PCB Assembly
 PCB P/N: 797165-001S
 Schematic Diagram
 Revision 0D
 Sheet 5 of 9



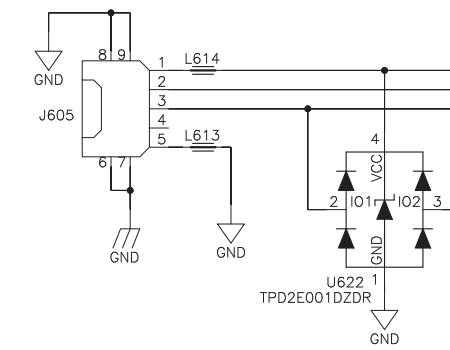
Issue	Description	CH Ton	Date
E	No change on this page	CH Ton	2017-11-27



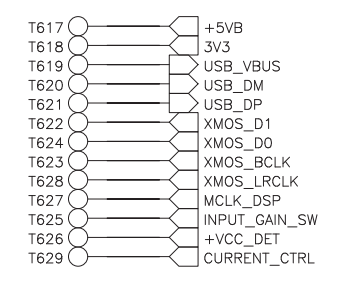
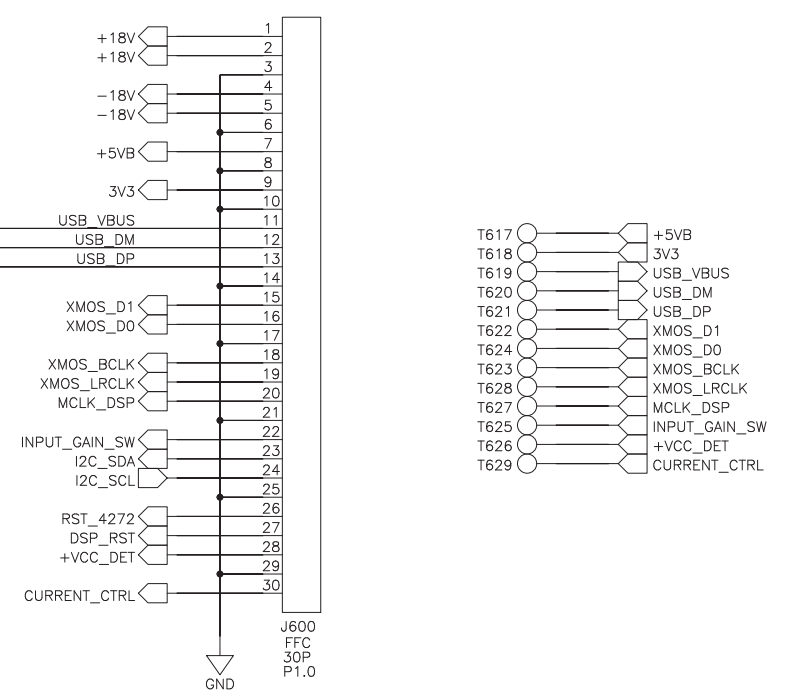
Disconnect R612 and R613 when debugging DSP



MicroUSB



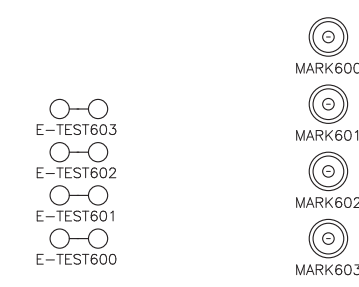
To AMPLink Board J400



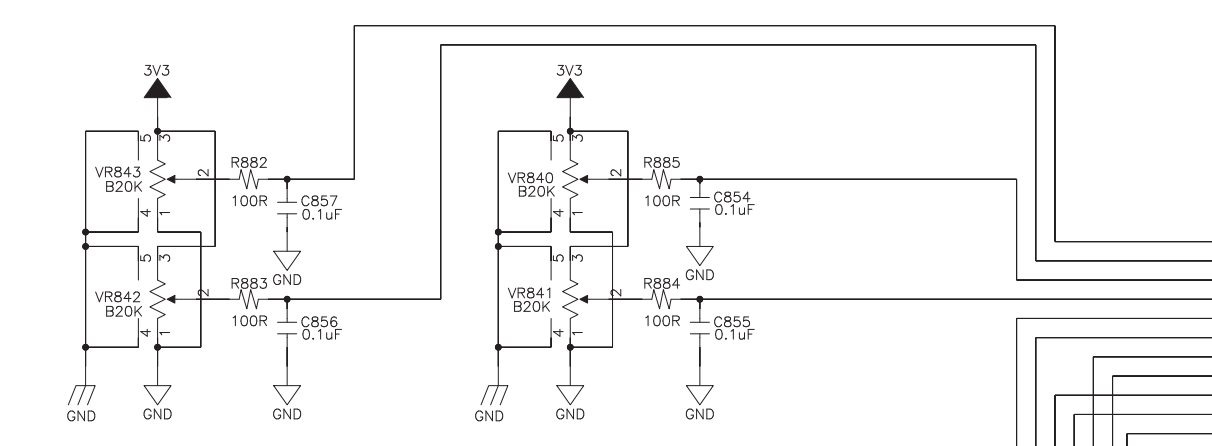
Issue	Description	Drawn.By	Date
E	No change on this page	CH Ton	2017-11-27

SAFETY CONTROLLED

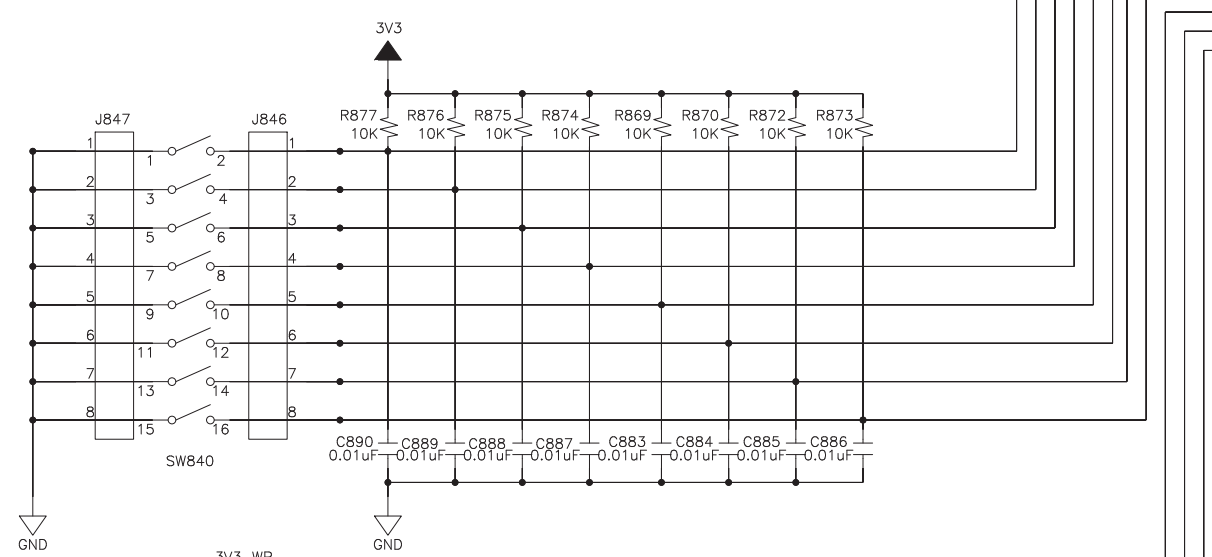
PowerShare PS404A/PS604A
 DSP PCB Assembly
 PCB P/N: 797164-001S
 Schematic Diagram
 Revision 0D
 Sheet 6 of 9



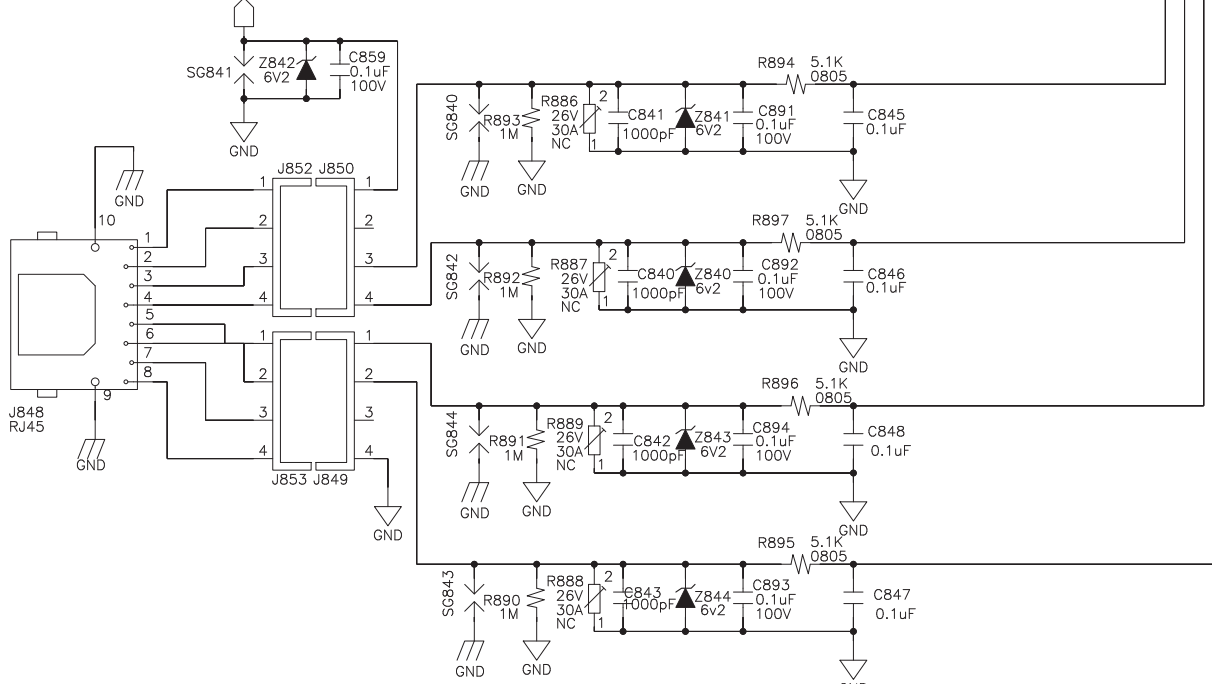
Output Trims



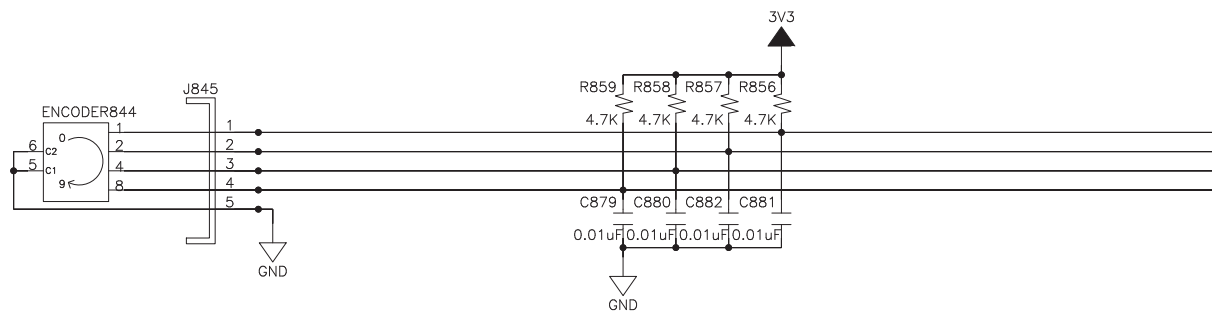
DIP Switch



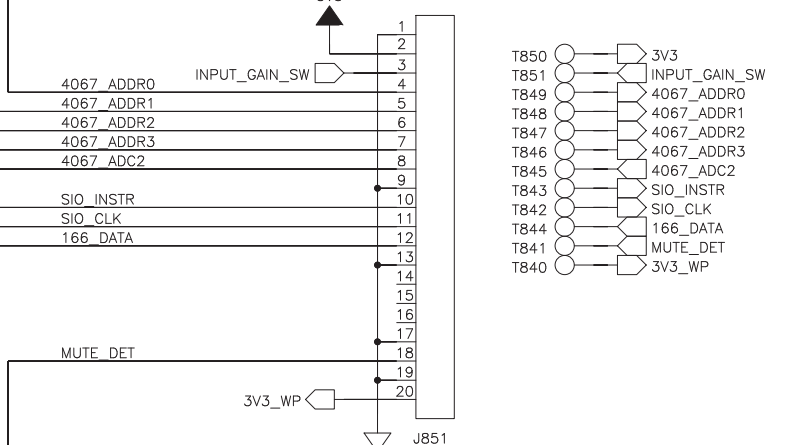
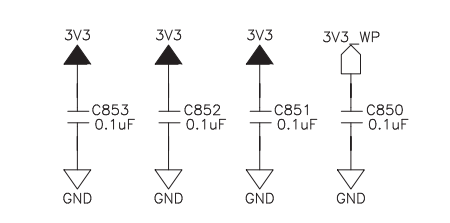
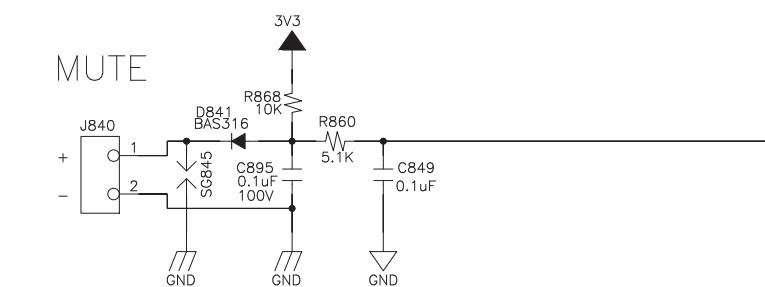
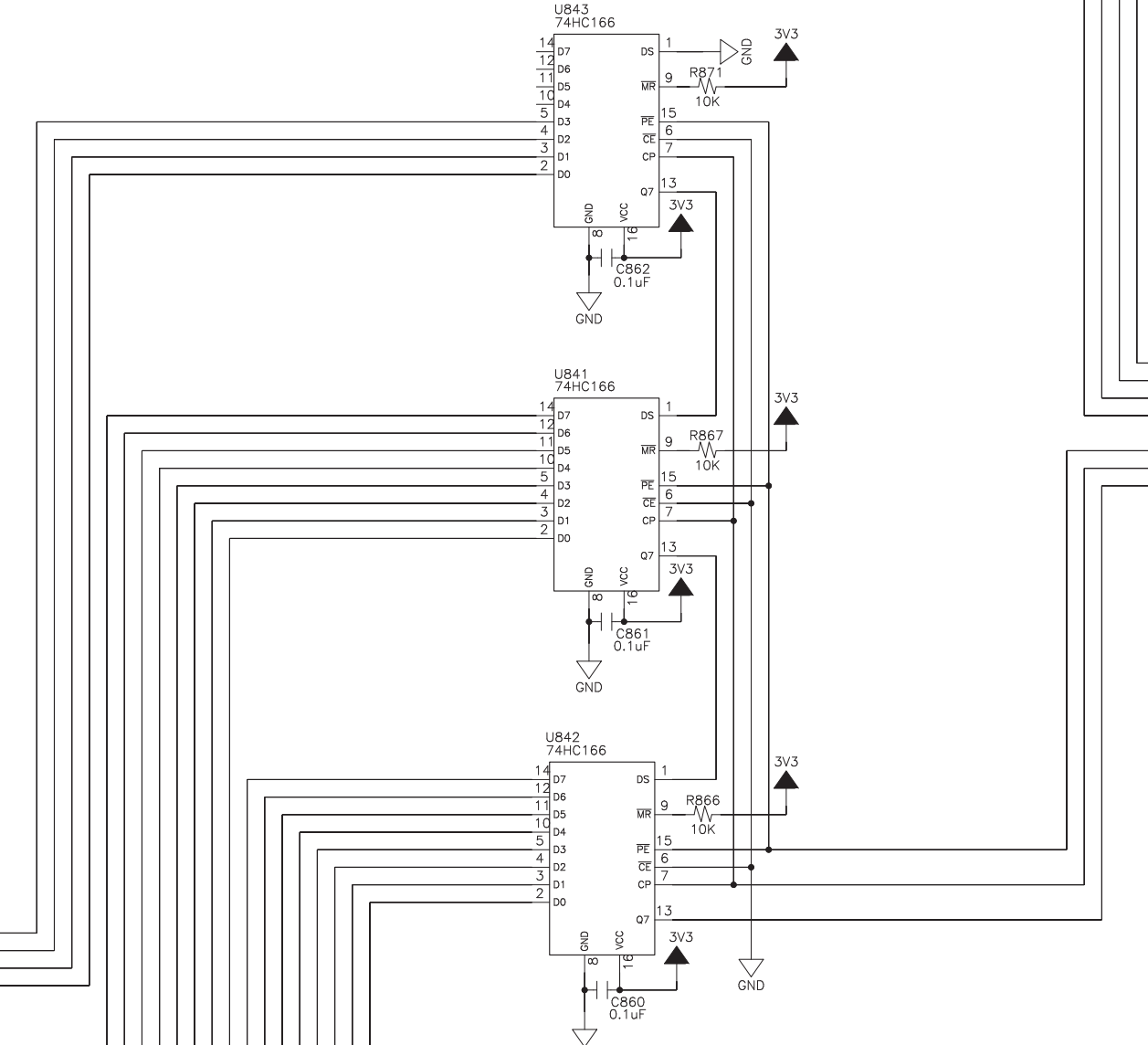
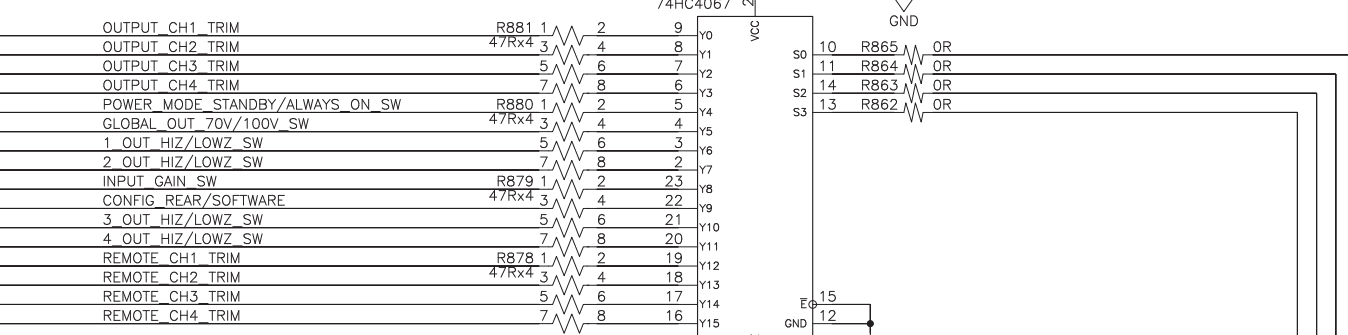
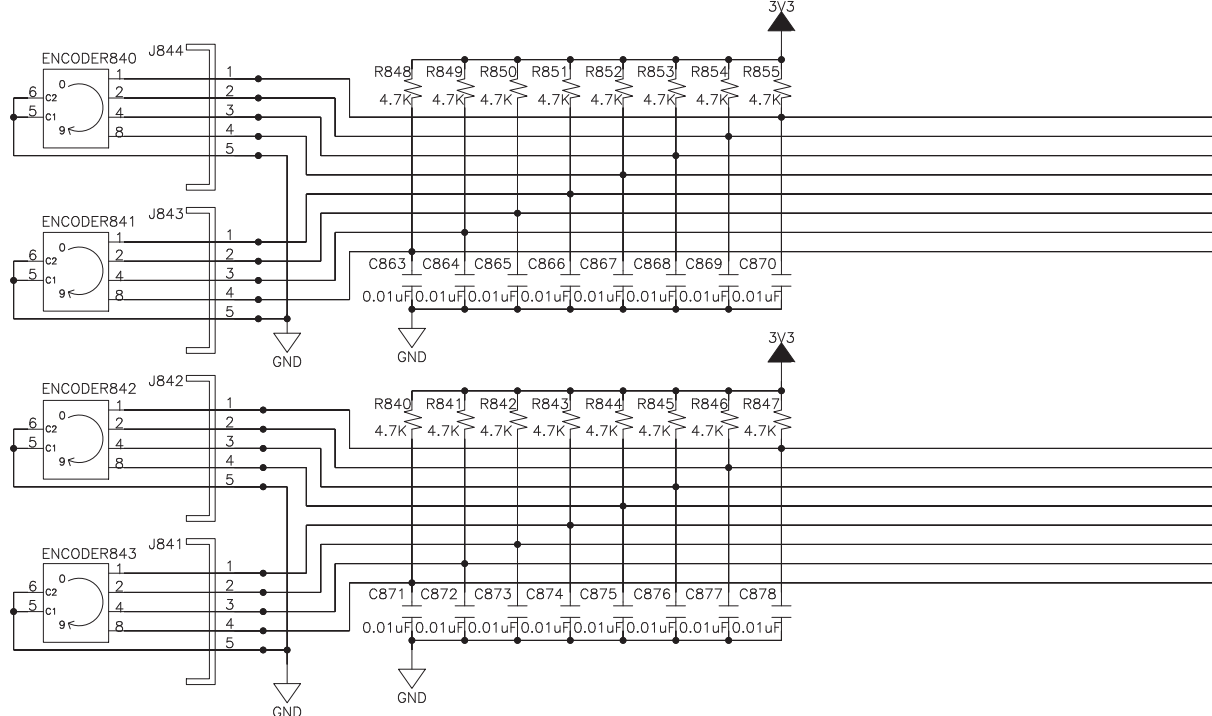
Wall Plate



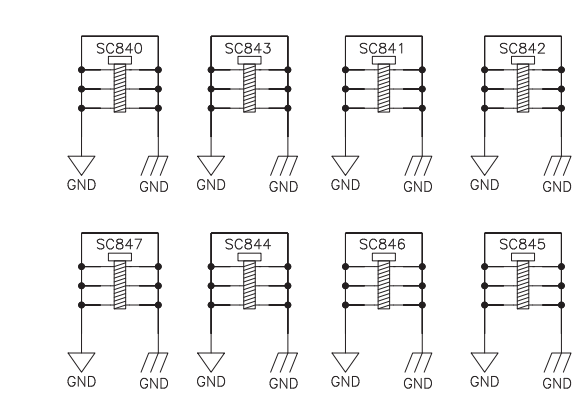
Input Selection



EQ Rotary Switches



To AMPLink Board J406



SAFETY CONTROLLED

PowerShare PS404A/PS604A
 Rear Panel PCB Assembly
 PCB P/N: 797165-001S
 Schematic Diagram
 Revision 0D
 Sheet 7 of 9

Issue	Description	Drawn.By	Date
E	No change on this page	Jun Sun	2017-11-27

- MARKB43
- MARKB40
- MARKB42
- MARKB41

D

C

B

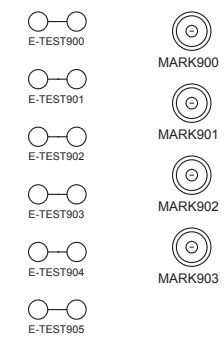
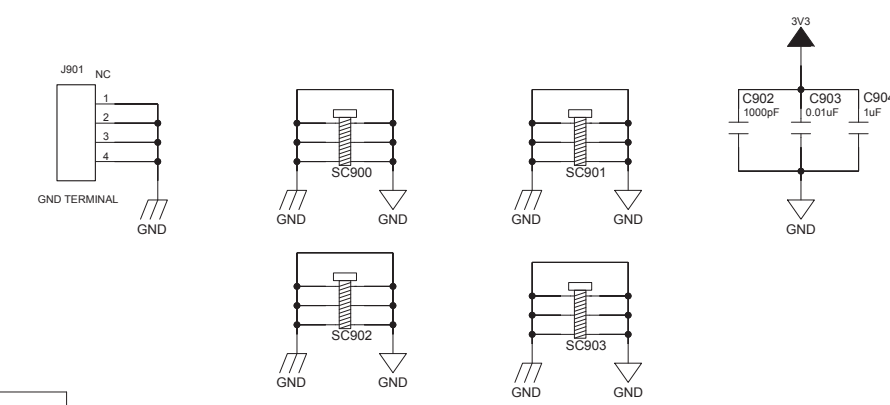
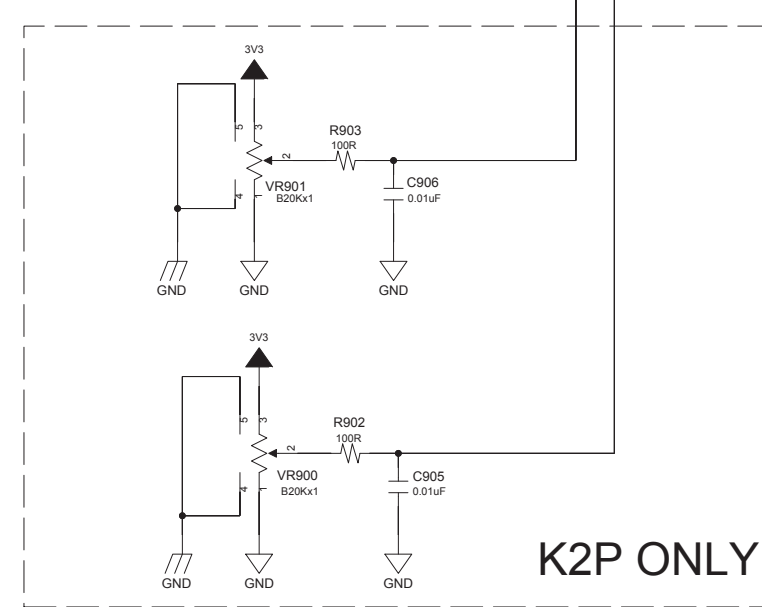
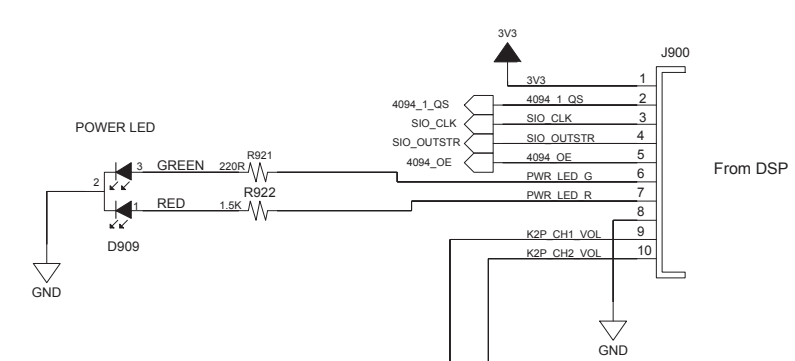
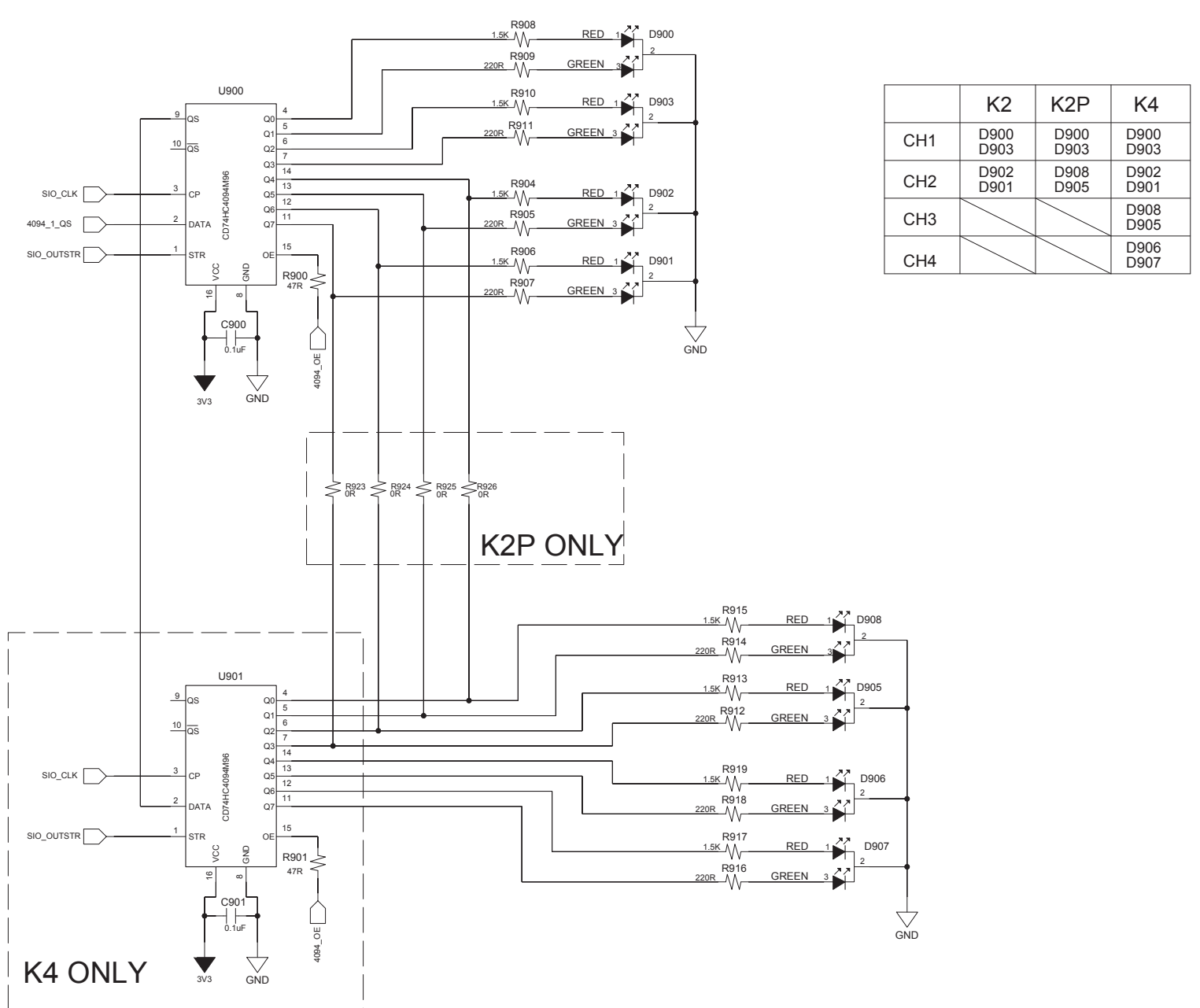
A

D

C

B

A

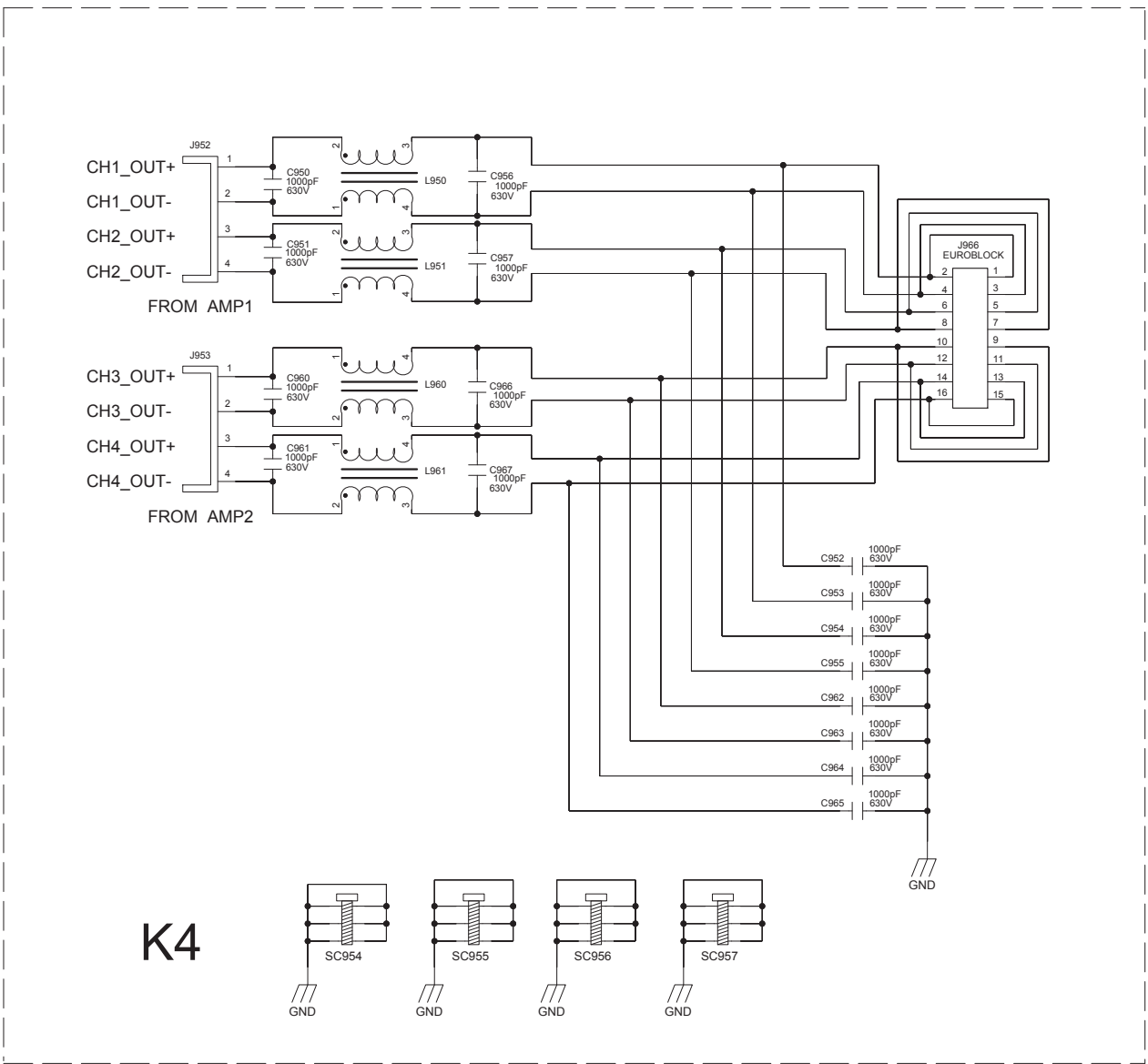
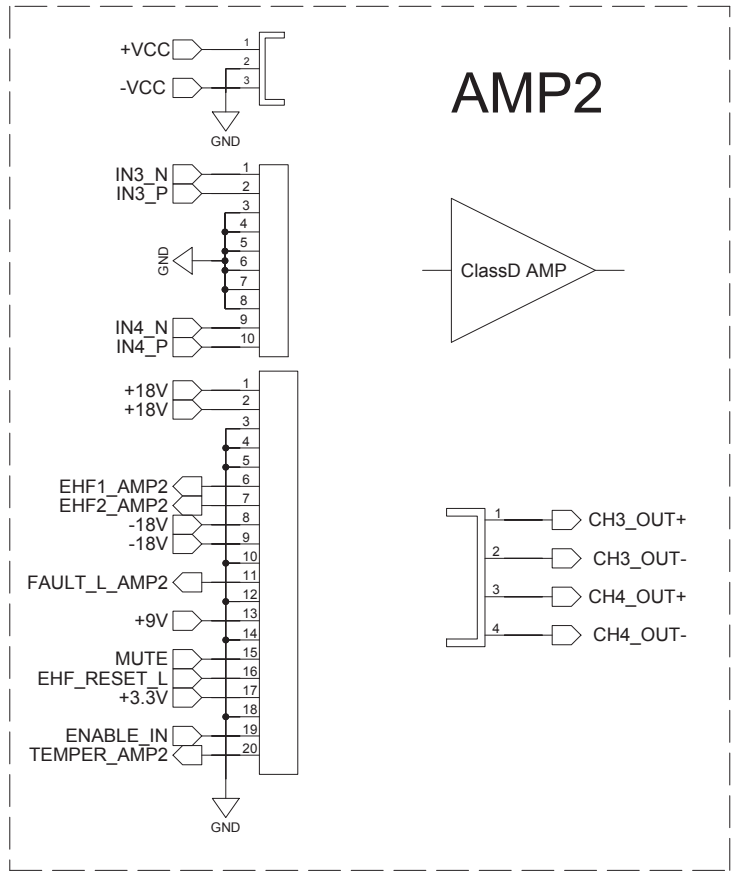
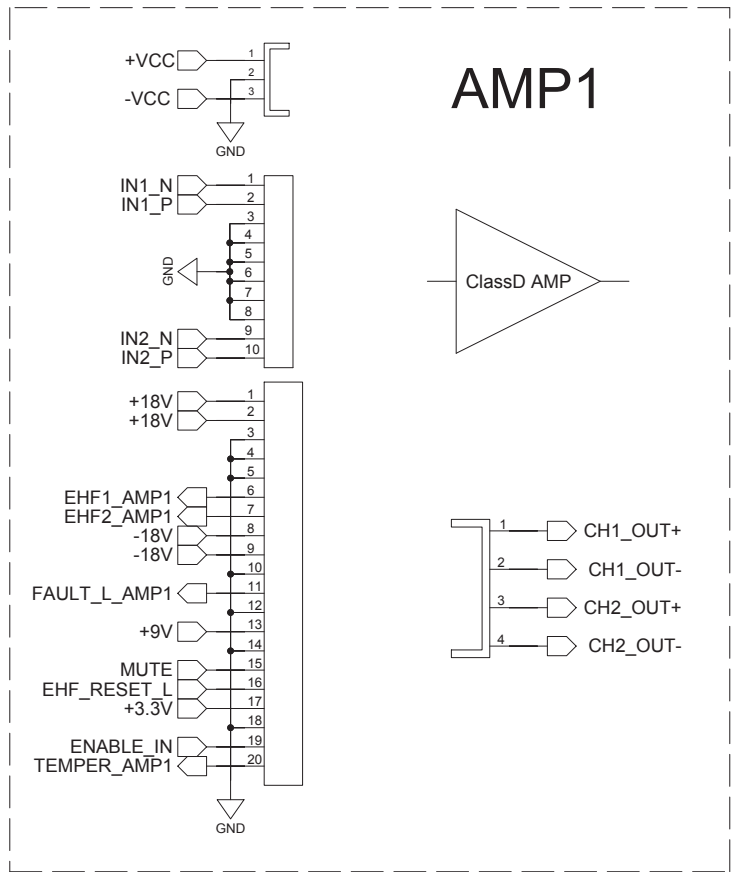


SAFETY CONTROLLED

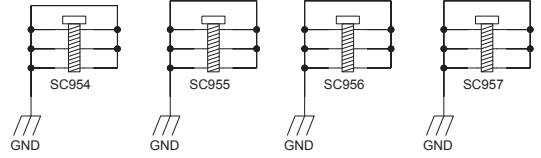
PowerShare PS404A/PS604A
 Front Panel LED PCB Assy
 PCB P/N: 807692-001S
 Schematic Diagram
 Revision 0D
 Sheet 8 of 9



E	No change on this page	Mac Chan	2017-11-27
Issue	Description	Drawn.By	Date



K4



SAFETY CONTROLLED

PowerShare PS404A/PS604A
 Rear Output PCB Assy
 PCB P/N: 807694-001S
 Schematic Diagram
 Revision 0D
 Sheet 9 of 9



Issue	Description	Drawn.By	Date
E	No change on this page	Jun Sun	2017-11-27