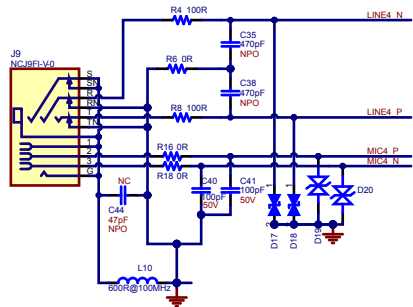


SAFETY CONTROLLED

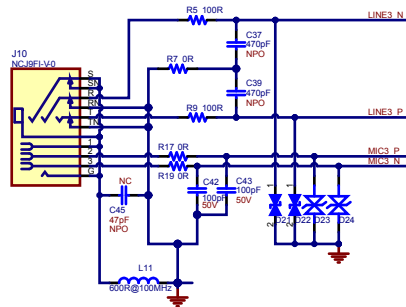
ToneMatch T4S Mixer  
 Input/Output PCB Assembly  
 PCB P/N: 797351-001S  
 Schematic Diagram, Rev. 00  
 Sheet 1 of 2



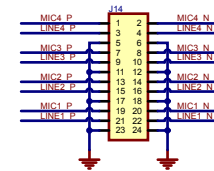
ANALOG INPUT#4



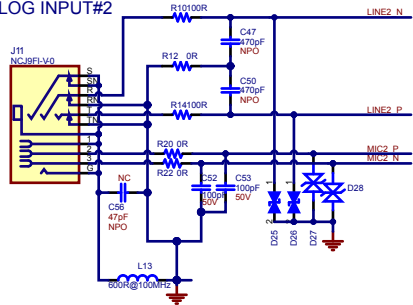
ANALOG INPUT#3



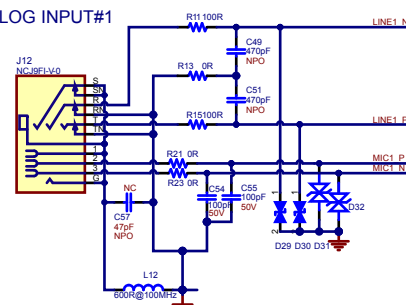
ANALOG INPUT INTERFACE TO MAIN PCB



ANALOG INPUT#2



ANALOG INPUT#1



SAFETY CONTROLLED

ToneMatch T4S Mixer  
Input/Output PCB Assembly  
PCB P/N: 797351-001S  
Schematic Diagram, Rev. 00  
Sheet 2 of 2

