

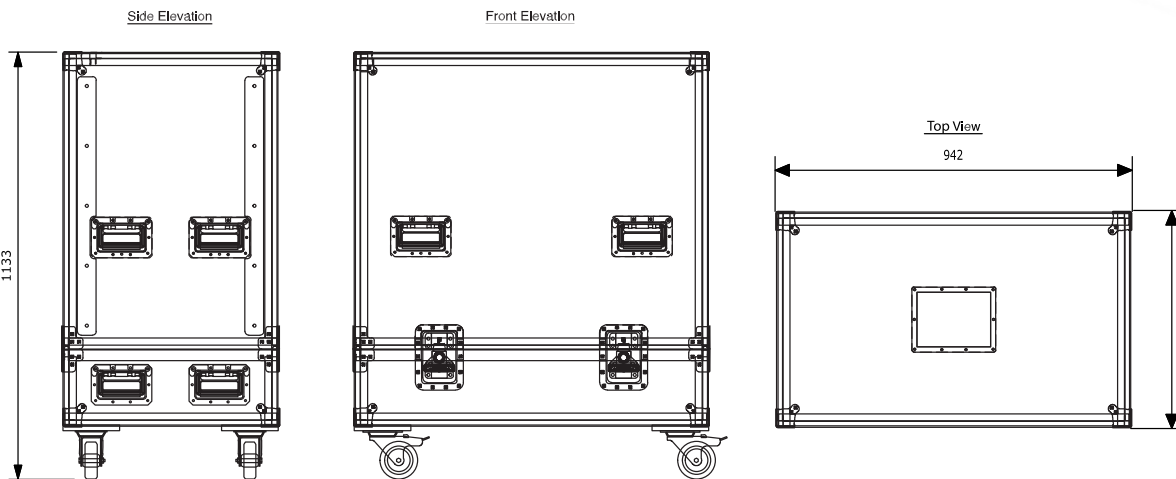
ShowMatch 3x SM5 Module Transport Case

Product Description

The Bose Professional ShowMatch 3x SM5 Transport Case carries three ShowMatch SM5 modules that have been locked together using their suspension hardware with rear link bars pinned at zero degrees (0°). The ATA-style transport case is constructed of 12 mm (1/2 in) Baltic Birch plywood with a protective PVC laminate, includes snap-back handles, to assist with cover removal and transportation, and four locking casters. The top cover features a recessed nameplate to accommodate a 17.78 x 12.7 cm (7 x 5 in) tour label.

Key Features

- Carries three ShowMatch SM5 array modules
- Tray-style design allows modules to be easily positioned and adjusted for array assembly
- High-density polyurethane skids allow case to be tipped in one direction; internal EVA foam protects array modules when case is tipped
- Sized for efficient truck pack and allows other gear to be placed on top for maximum storage utility



Specifications

Material	12 mm (1/2 inch) Baltic Birch plywood
Finish	PVC laminate bonded to Baltic Birch plywood
Dimensions W x H x D	942 x 1133 x 575 cm 370.8 x 446 x 226.3 in
Weight	63.0 kg 139 lbs
Product Code	809926-0010
Compatible with	ShowMatch SM5, SM10, SM20 array modules

For additional specifications and application information, please visit PRO.BOSE.COM. Specifications subject to change without notice.