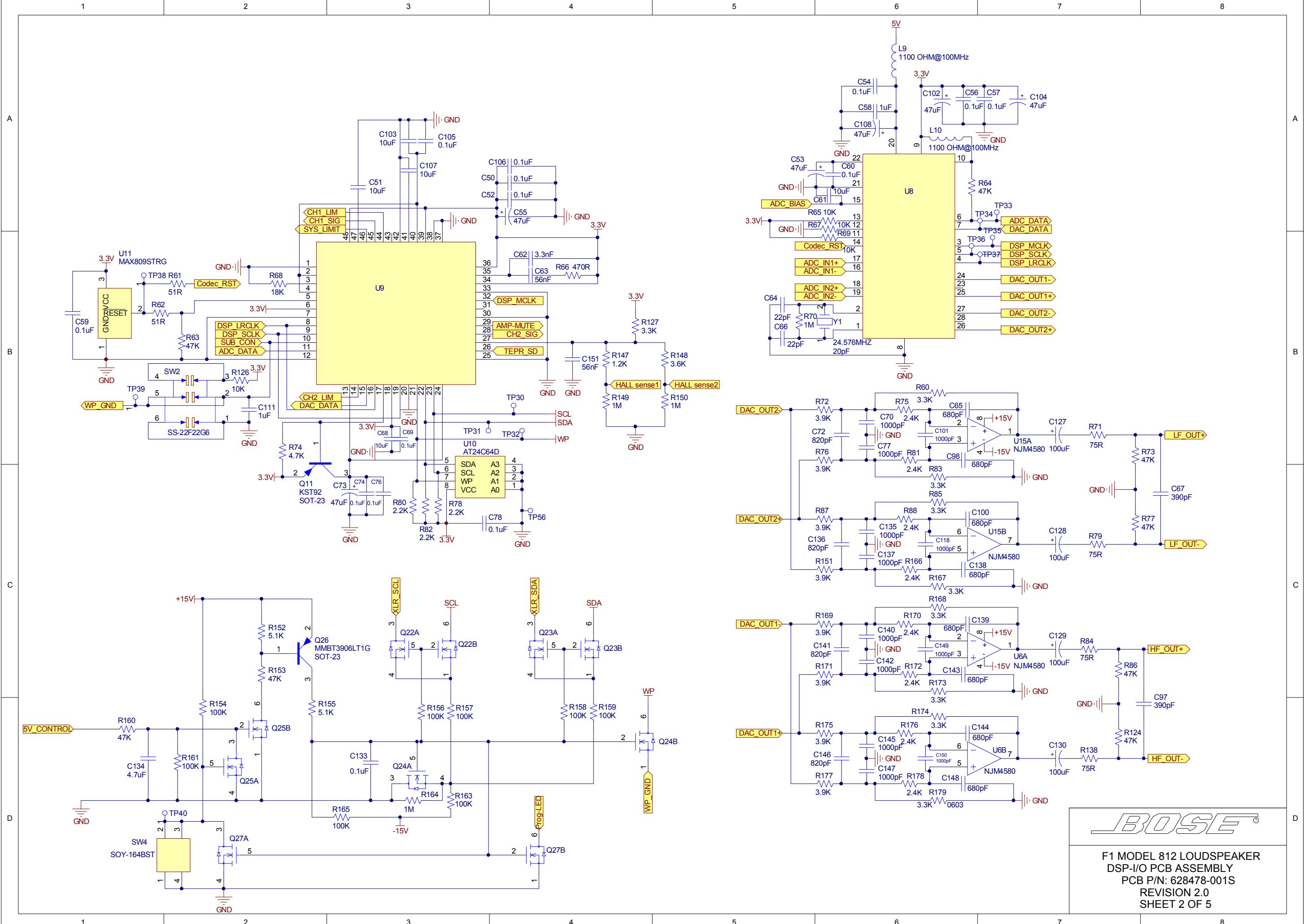

**F1 MODEL 812 LOUDSPEAKER
 DSP-I/O PCB ASSEMBLY
 PCB P/N: 628478-001S
 REVISION 2.0
 SHEET 1 OF 5**



F1 MODEL 812 LOUDSPEAKER
DSP-I/O PCB ASSEMBLY
PCB P/N: 628478-001S
REVISION 2.0
SHEET 2 OF 5

A

A

B

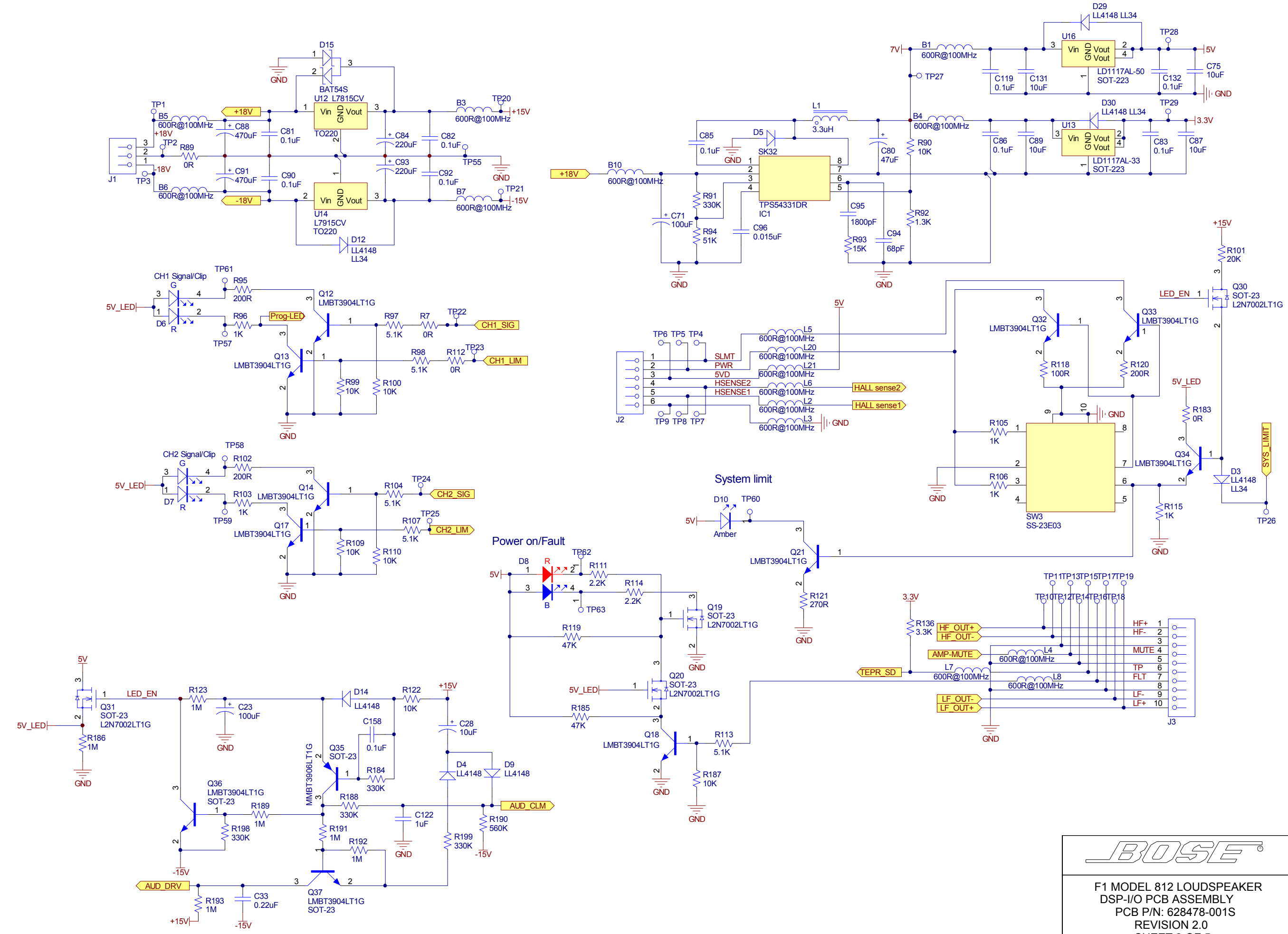
B

C

C

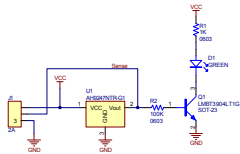
D

D



BOSE

F1 MODEL 812 LOUDSPEAKER
 DSP-I/O PCB ASSEMBLY
 PCB P/N: 628478-001S
 REVISION 2.0
 SHEET 3 OF 5



BOSE

F1 MODEL 812 LOUDSPEAKER
 DSP-410 PCB ASSEMBLY
 PCB P/N: 62478-0015
 REVISION 2.0
 SHEET 4 OF 5

1

2

3

4

A

A

B

B

C

C

D

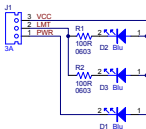
D

1

2

3

4

**BOSE**

F1 MODEL 812 LOADSPEAKER
DSP-IO PCB ASSEMBLY
PCB P/N: 62475-0015
REVISION 2.0
SHEET 5 OF 5