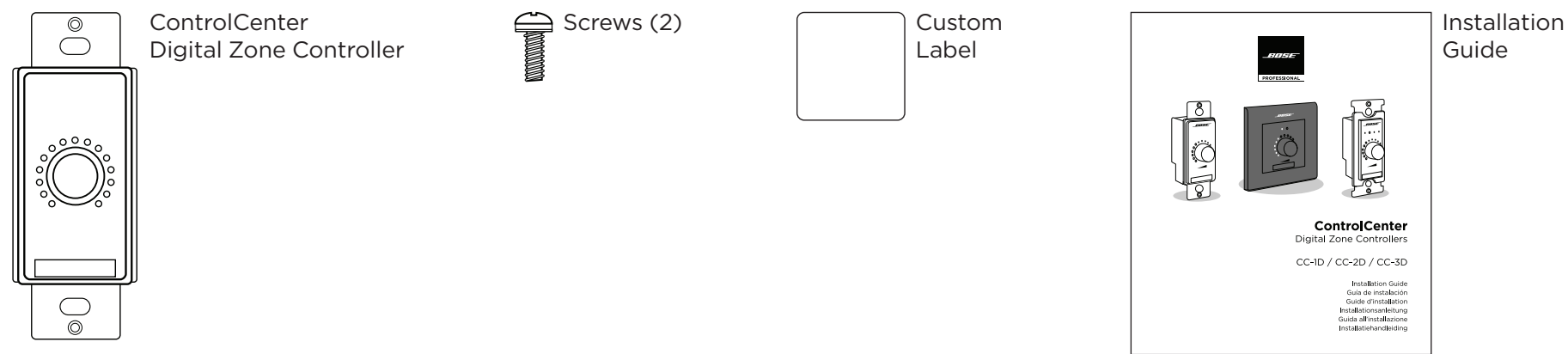


Introduction

Package Contents



Compatible Products

ControlCenter digital zone controllers are compatible with a variety of Bose Professional amplifiers and DSPs. For a full list of compatible products, please see the technical data sheet for each ControlCenter digital zone controller at BoseProfessional.com.

Product Overview

Note: See the table under **Technical Information** for all available ControlCenter digital zone controller models.

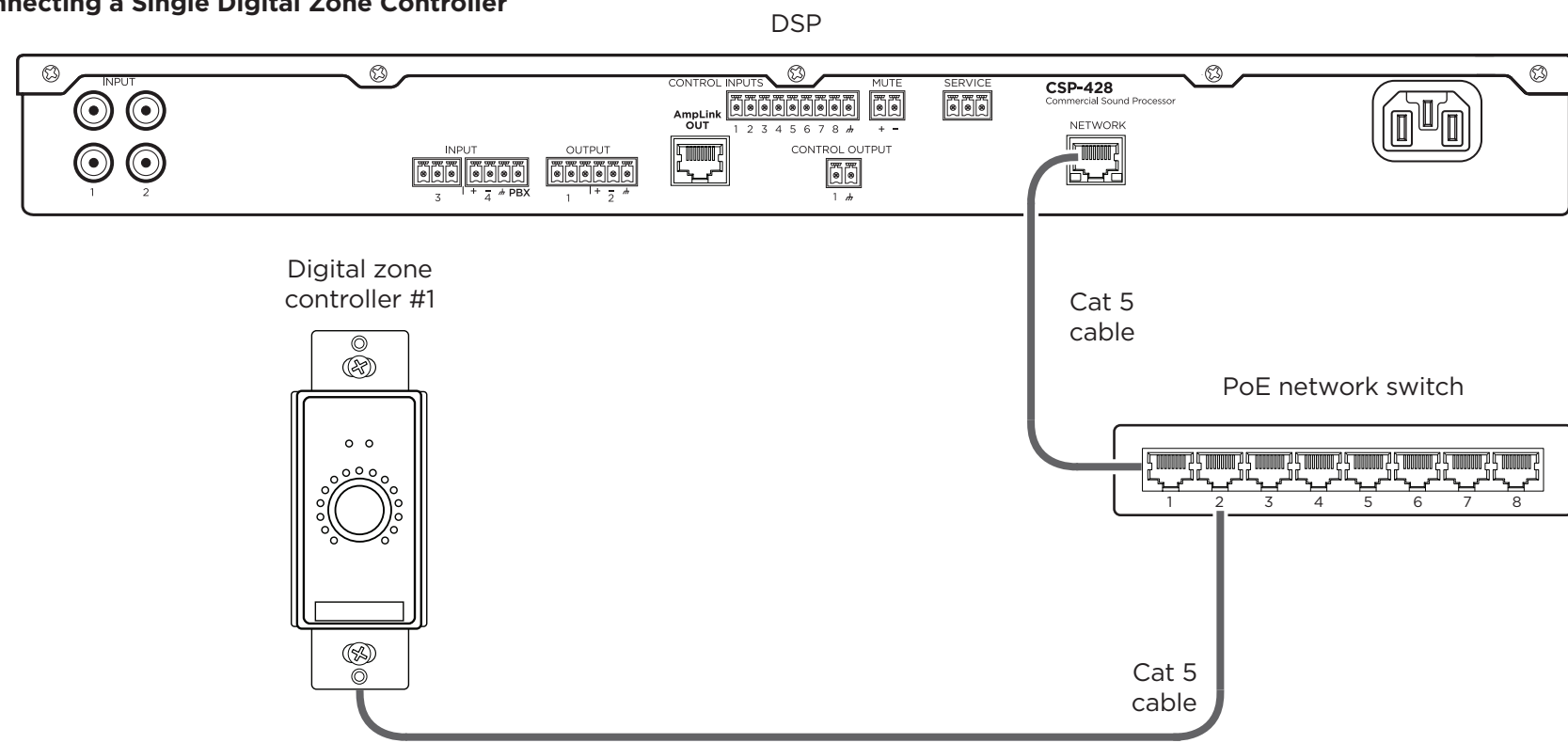
To operate your ControlCenter digital zone controller:

- Rotate** the control knob to adjust the output volume.
- Push** the control knob to switch sources (CC-2D and CC-3D only).
- Push and hold** the control knob to mute the controller.

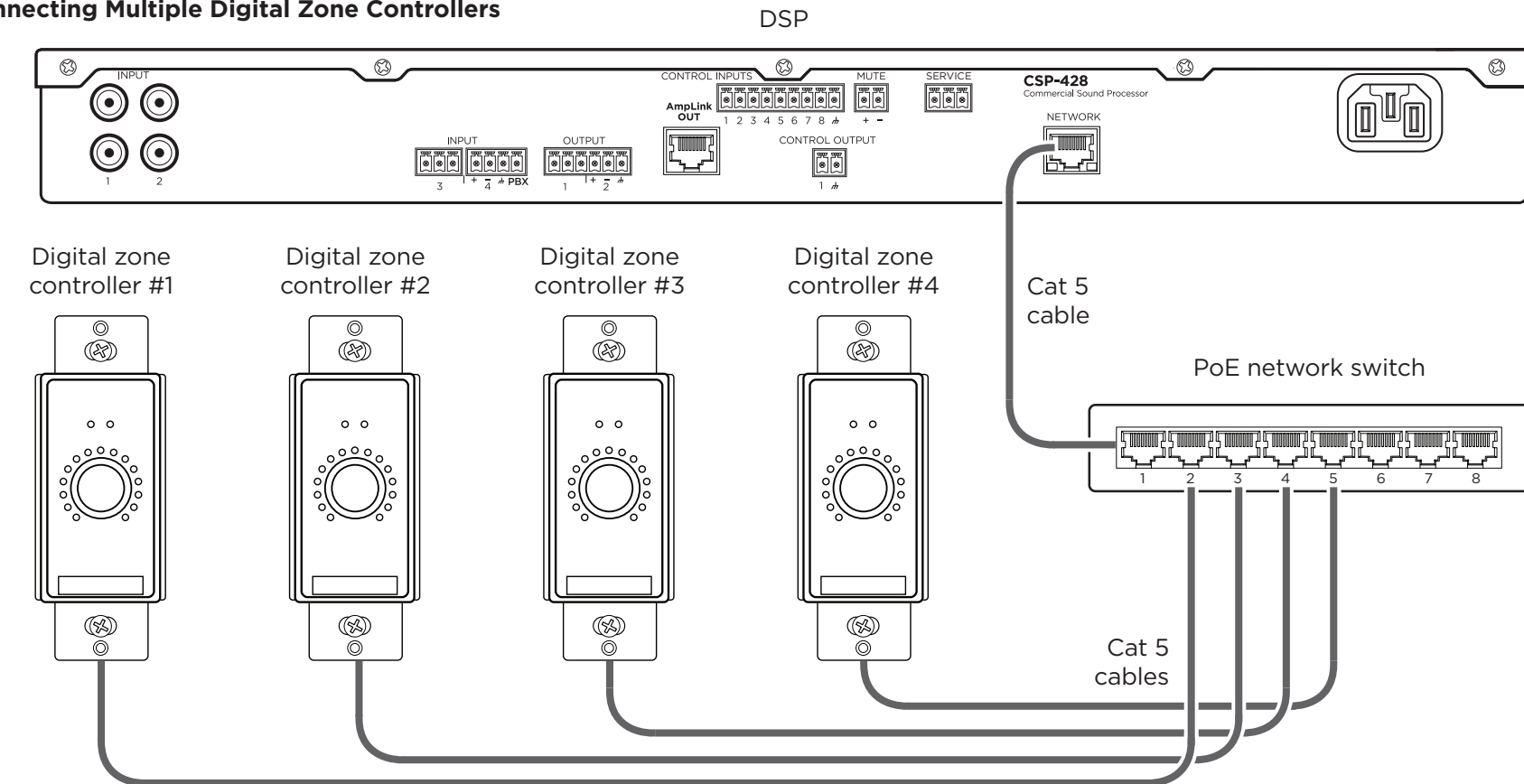
Setup Information

Connect one or multiple digital zone controllers to the **Network** port of your amplifier or DSP via a PoE network switch (not included). Please see the installation guide for your amplifier or DSP for more information about connection requirements.

Connecting a Single Digital Zone Controller



Connecting Multiple Digital Zone Controllers



Technical Information

Connectors	Ethernet (RJ-45)
Power	Power-over-Ethernet (PoE) switch required
Operating Temperature	0 °C to 40 °C (32 °F to 104 °F)
Operating Humidity	80% (without condensation)
Dimensions	See table below.
Net Weight	See table below.

	CC-1D	CC-2D	CC-3D
US	 104.6 × 40.1 × 45.9 mm (4.12 × 1.57 × 1.80 in) 0.11 kg (0.24 lbs)	 104.6 × 40.1 × 45.9 mm (4.12 × 1.57 × 1.80 in) 0.11 kg (0.24 lbs)	 104.6 × 40.1 × 45.9 mm (4.12 × 1.57 × 1.80 in) 0.11 kg (0.24 lbs)
EU	 86.0 × 86.0 × 43.1 mm (3.38 × 3.38 × 1.69 in) 0.10 kg (0.22 lbs)	 86.0 × 86.0 × 43.1 mm (3.38 × 3.38 × 1.69 in) 0.10 kg (0.22 lbs)	 86.0 × 86.0 × 43.1 mm (3.38 × 3.38 × 1.69 in) 0.10 kg (0.22 lbs)
JP	 110.0 × 42.0 × 48.1 mm (4.33 × 1.65 × 1.89 in) 0.12 kg (0.26 lbs)	 110.0 × 42.0 × 48.1 mm (4.33 × 1.65 × 1.89 in) 0.12 kg (0.26 lbs)	 110.0 × 42.0 × 48.1 mm (4.33 × 1.65 × 1.89 in) 0.12 kg (0.26 lbs)