

ArenaMatch Utility AMU105-WR, AMU108-WR, AMU206-WR, AMU208-WR Loudspeakers and MB210-WR Compact Subwoofer



CONTENTS

PRODUCT DESCRIPTION.....	2
SAFETY INFORMATION.....	3
PROPRIETARY INFORMATION.....	3
Product Versions.....	3
WARRANTY.....	4
PART LIST NOTES.....	4
SPECIFICATIONS.....	4-6
PACKAGING PART LIST, Input/Output Panel Cover (see Figure 1).....	7
Figure 1. Input/Output Panel Cover Assembly Packaging.....	7
PACKAGING PART LIST, RMU105-WR Top Level Assembly (see Figure 2).....	8
Figure 2. RMU105-WR Top Level Assembly.....	8
MAIN ASSEMBLY PART LIST, RMU105-WR Main Assembly Part List (see Figure 3).....	9
Figure 3. RMU105-WR Main Assembly Exploded View.....	9
PACKAGING PART LIST, RMU108-WR Top Level Assembly (see Figure 4).....	10
Figure 4. RMU108-WR Top Level Assembly.....	10
MAIN ASSEMBLY PART LIST, RMU108-WR Main Assembly Part List (see Figure 5).....	11
Figure 5. RMU108-WR Main Assembly Exploded View.....	11
PACKAGING PART LIST, RMU206-WR Top Level Assembly (see Figure 6).....	12
Figure 6. RMU206-WR Top Level Assembly.....	12
MAIN ASSEMBLY PART LIST, RMU206-WR Main Assembly Part List (see Figure 7).....	13
Figure 7. RMU206-WR Main Assembly Exploded View.....	13
PACKAGING PART LIST, RMU208-WR Top Level Assembly (see Figure 8).....	14
Figure 8. RMU208-WR Top Level Assembly.....	14
MAIN ASSEMBLY PART LIST, RMU208-WR Main Assembly Part List (see Figure 9).....	15
Figure 9. RMU208-WR Main Assembly Exploded View.....	15
PACKAGING PART LIST, MB210-WR Top Level Assembly (see Figure 10).....	16
Figure 10. MB210-WR Top Level Assembly.....	16
MAIN ASSEMBLY PART LIST, MB210-WR Main Assembly Part List (see Figure 11).....	17
Figure 11. MB210-WR Main Assembly Exploded View.....	17
SERVICE MANUAL REVISION HISTORY.....	18


PRODUCT DESCRIPTION

The Bose RMU105-WR, RMU108-WR, RMU206-WR, RMU208-WR and MB210-WR Pro Installed loudspeakers are weather-resistant versions of the previous RoomMatch Utility loudspeakers. They have a EMB2S compression driver along with at least one conventional driver. Enclosures have a Chemthane-type finish to make them weather-resistant. They also feature a 3-layer grille with a spring-form grille support. Full-range models include an integrated transformer. RMU models will have an optional transformer kit available as an accessory.

Built for zone-fill coverage or high-SPL foreground music, Bose ArenaMatch Utility loudspeakers offer similar tonal balance to ArenaMatch array modules but in compact designs. They have the same EMB2S compression driver as ArenaMatch arrays, ensuring consistent sound, and the same IP55 weather rating. Deploy them for zone-fill coverage in sports stadiums, arenas, outdoor entertainment centers, and more. Or use them to provide intelligible, high-level sound in any outdoor area — from niche venues such as breweries and fairgrounds to larger settings like resorts and outdoor shopping centers.

IMPORTANT REPAIR NOTE: These products will not be repaired or fully remanufactured. There is a first quality rebox process at remanufacturing only. As a result, the only Service parts that are stocked for these products are the carton, fillers, poly bag and the grille assembly. The reason for this policy is that dealers / installers in the field do not repair failed speakers such as these. They are replacement only.

SAFETY INFORMATION

Parts that have special safety characteristics are identified by the  symbol on schematics or by special notes on the parts list. Use only replacement parts that have critical characteristics recommended by the manufacturer.

CAUTION: The Bose AMU105-WR, AMU108-WR, AMU206-WR, AMU208-WR and MB210-WR Professional Installed loudspeakers contain no user-serviceable parts. To prevent warranty infractions, refer servicing to warranty service stations or factory service.

PROPRIETARY INFORMATION

THIS DOCUMENT CONTAINS PROPRIETARY INFORMATION OF BOSE CORPORATION WHICH IS BEING FURNISHED ONLY FOR THE PURPOSE OF SERVICING THE IDENTIFIED BOSE PRODUCT BY AN AUTHORIZED BOSE SERVICE CENTER, AND SHALL NOT BE REPRODUCED OR USED FOR ANY OTHER PURPOSE.


Product Versions

Material Number	Description
Black Versions	
811433-0110	AMU105 100X100 OUTDOOR LDSPK BLK
811434-0110	AMU108 90X60 OUTDOOR LDSPK BLK
811435-0110	AMU206 120X60 OUTDOOR LDSPK BLK
811436-0110	AMU208 90X60 OUTDOOR LDSPK BLK
811432-0110	MB210WR OUTDOOR SUBWOOFER LDSPK BLK
White Versions	
811433-0210	AMU105 100X100 OUTDOOR LDSPK WHT
811434-0210	AMU108 90X60 OUTDOOR LDSPK WHT
811435-0210	AMU206 120X60 OUTDOOR LDSPK WHT
811436-0210	AMU208 90X60 OUTDOOR LDSPK WHT
811432-0210	MB210WR OUTDOOR SUBWOOFER LDSPK WHT

WARRANTY

The Bose® AMU105-WR, AMU108-WR, AMU206-WR, AMU208-WR and MB210-WR Professional Installed loudspeakers are covered by a limited 5-year.

PART LIST NOTES

1. The individual parts located on the PCBs are listed in the Electrical Part List.
2. This part is referenced for informational purposes only. It is not stocked as a repair part. Refer to the next higher assembly for a replacement part.
3.  This part is critical for safety purposes. Failure to use a substitute replacement with the same safety characteristics as the recommended replacement part might create shock, fire and/or other hazards.

SPECIFICATIONS

AMU105-WR Loudspeaker

The AMU105 is an ultra-compact ArenaMatch Utility model for outdoor applications that require excellent audio from an unobtrusive loudspeaker. It provides wide, even coverage with a 100° x 100° constant-directivity high-frequency horn, 100 Hz – 16 kHz frequency response, 118 dB peak SPL, and supports the lowest vocal ranges with a Bose LF5 5.25-inch woofer.

AMU105-WR	
Frequency Response (+/-3 dB)	100 Hz to 16 kHz
Nominal coverage (H x V)	100 x 100
Power Handling, peak	400W
Maximum SPL @ 1m	110 db Free Field; 112 db Wall/Ceiling
Nominal Impedance	8Ω
Frequency Range (-10 dB)	90 Hz to 16 kHz
Power Handling, long-term continuous	100 W
Sensitivity	90 db Free Field; 92 db Wall/Ceiling
Maximum SPL @ 1m, peak	116 db Free Field; 118 db Wall/Ceiling

SPECIFICATIONS (CONT.)

AMU108-WR Loudspeaker

The AMU108 is a small-format ArenaMatch Utility model for outdoor applications that require excellent audio from compact loudspeaker. It provides wide, even coverage with a 90° x 60° constant-directivity high-frequency horn, 80 Hz – 16 kHz frequency response, 121 dB peak SPL, and supports the lowest vocal ranges with a Bose LF8 8-inch woofer.

AMU108-WR	
Frequency Response (+/-3 dB)	80 Hz to 16 kHz
Nominal coverage (H x V)	90 x 60
Power Handling, peak	1200W
Maximum SPL @ 1m	119 db Free Field; 121 db Wall/Ceiling
Nominal Impedance	8Ω
Frequency Range (-10 dB)	70 Hz to 16 kHz
Power Handling, long-term continuous	300 W
Sensitivity	94 db Free Field; 96 db Wall/Ceiling
Maximum SPL @ 1m, peak	125 db Free Field; 127 db Wall/Ceiling

AMU206-WR Loudspeaker

The AMU206 is a small-format ArenaMatch Utility model for outdoor applications that require excellent audio from compact loudspeaker. It provides wide, even coverage with a 120° x 60° constant-directivity high-frequency horn, 80 Hz – 16 kHz frequency response, 122 dB peak SPL, and supports the lowest vocal ranges with two Bose LF6 6.5-inch woofers.

AMU206-WR	
Frequency Response (+/-3 dB)	90 Hz to 16 kHz
Nominal coverage (H x V)	120 x 60
Power Handling, peak	800W
Maximum SPL @ 1m	114 db Free Field; 116 db Wall/Ceiling
Nominal Impedance	8Ω
Frequency Range (-10 dB)	80 Hz to 16 kHz
Power Handling, long-term continuous	200 W
Sensitivity	90 db Free Field; 92 db Wall/Ceiling
Maximum SPL @ 1m, peak	120 db Free Field; 122 db Wall/Ceiling

SPECIFICATIONS (CONT.)

AMU208-WR Loudspeaker

The AMU208 is a small-format ArenaMatch Utility model for outdoor applications that require excellent audio from compact loudspeaker. It provides wide, even coverage with a 90° x 60° constant-directivity high-frequency horn, 70 Hz – 16 kHz frequency response, 126 dB peak SPL, and supports the lowest vocal ranges with two Bose LF8 8-inch woofers.

AMU208-WR	
Frequency Response (+/-3 dB)	90 Hz to 16 kHz
Nominal coverage (H x V)	100 x 100
Power Handling, peak	800W
Maximum SPL @ 1m	119 db Free Field; 121 db Wall/Ceiling
Nominal Impedance	8Ω (transformer bypass)
Frequency Range (-10 dB)	80 Hz to 16 kHz
Power Handling, long-term continuous	200 W
Sensitivity	91 db Free Field; 93 db Wall/Ceiling
Maximum SPL @ 1m, peak	119 db Free Field; 121 db Wall/Ceiling

MB210-WR Compact Subwoofer

Bose Professional MB210 compact subwoofers are designed for background/foreground music and small sound-reinforcement systems that require low-frequency extension down to 37 Hz. The MB210 subwoofer features two (2) 10-inch high-excursion woofers, derived from the award-winning Bose Professional F1 subwoofer, in a compact, Baltic-birch plywood enclosure optimized for fixed-installation applications. Featuring outstanding performance to size ratio, the MB210 is designed to complement Bose Professional loudspeaker lines, such as FreeSpace®, Panaray®, and Roomatch® Utility with additional bass impact.

MB210-WR	
Frequency Response (+/-3 dB)	45 Hz to 180 Hz
Nominal Dispersion	Omnidirectional below 200 Hz
Maximum SPL @ 1m	117 db; 123 db Peak
Nominal Impedance	8Ω
Frequency Range (-10 dB)	37 Hz to 270 Hz
Long Term Power Handling	500 W (2000 W Peak)
Sensitivity	90 db
Maximum SPL @ 1m, peak	117 db (123 db Peak)

PACKAGING PART LIST

Input/Output Panel Cover (see Figure 1)

Item	Description	Part Number	Qty.	Note
	KIT, I/O PANEL COVER, SVCE; INCLUDES	827142-001S		
A	- COVER, I/O PANEL, AMU	-	1	
B	- CORD GRIP, PG13.5, STRAIGHT	-	1	
C	- GASKET, I/O PANEL COVER	-	1	
D	- POLY BAG, 220x310x0.04mm, RED	-	1	
E	- SCREW, T/H4x45-15M D=8, SS/DOCRAMET	-	4	
F	- POLY BAG, 80x110x0.04mm	-	1	
G	- CARTON	-	1	

Note: This I/O Panel Cover is included in the carton with all versions of these loudspeakers. It is also available separately as a Service part under the above part number.

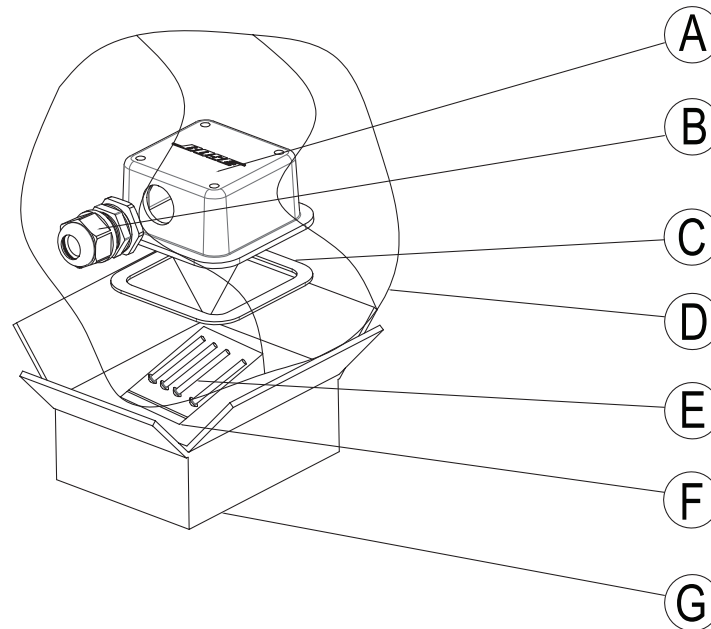


Figure 1. Input/Output Panel Cover Assembly Packaging

PACKAGING PART LIST

RMU105-WR Top Level Assembly (see Figure 2)

Item Number	Description	Part Number	Qty.	Note
1	CARTON, AMU105	828894-0010	1	
2	INSERT, CARTON, EPE FOAM, AMU105	829698-0010	2	
3	POLYBAG, LOUDSPEAKER, 420x900x0.04mm	830387-0010	1	

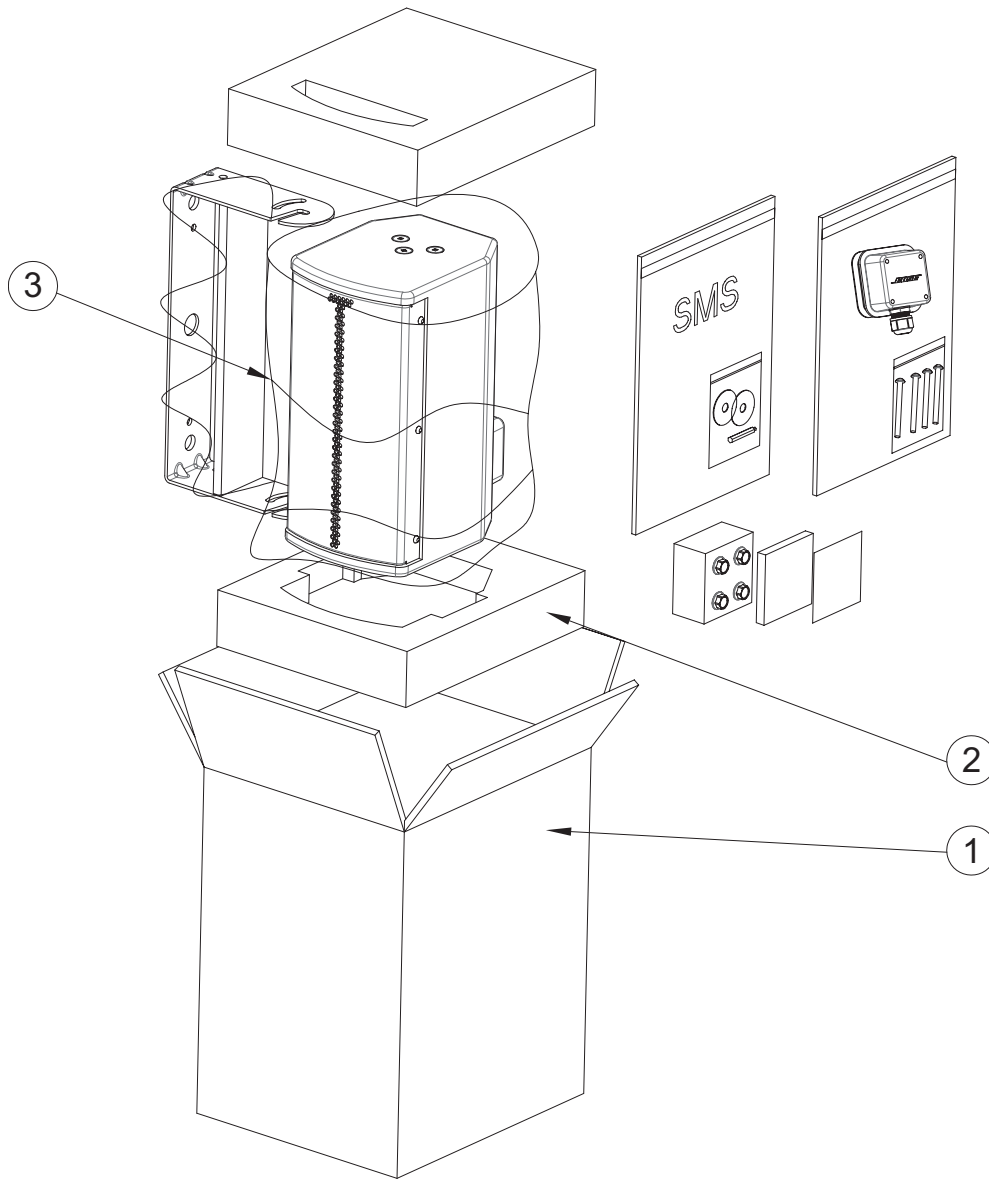


Figure 2. RMU105-WR Top Level Assembly

MAIN ASSEMBLY PART LIST

RMU105-WR Main Assembly Part List (see Figure 3)

Item	Description	Part Number	Qty.	Note
	GRILLE ASSEMBLY, BLK; INCLUDES	814982-011S		
A	- GRILLE, AMU105, BLK	-	1	
B	- SCRIM, GRILLE, AMU105	-	1	
C	- WIRE MESH, SS, GRILLE, AMU105	-	1	
D	- RETAINER, GRILLE, AMU105	-	1	
E	- SCREW, T/H4x12M D=9, SS/DOCRAMET, BLK	-	6	
F	- EVA GASKETS, GRILLE (RIGHT AND LEFT)	-	2	
	GRILLE ASSEMBLY, WHT; INCLUDES	814982-021S		
A	- GRILLE, AMU105, WHT	-	1	
B	- SCRIM, GRILLE, AMU105	-	1	
C	- WIRE MESH, SS, GRILLE, AMU105	-	1	
D	- RETAINER, GRILLE, AMU105	-	1	
E	- SCREW, T/H4x12M D=9, SS/DOCRAMET, WHT	-	6	
F	- EVA GASKETS, GRILLE (RIGHT AND LEFT)	-	2	

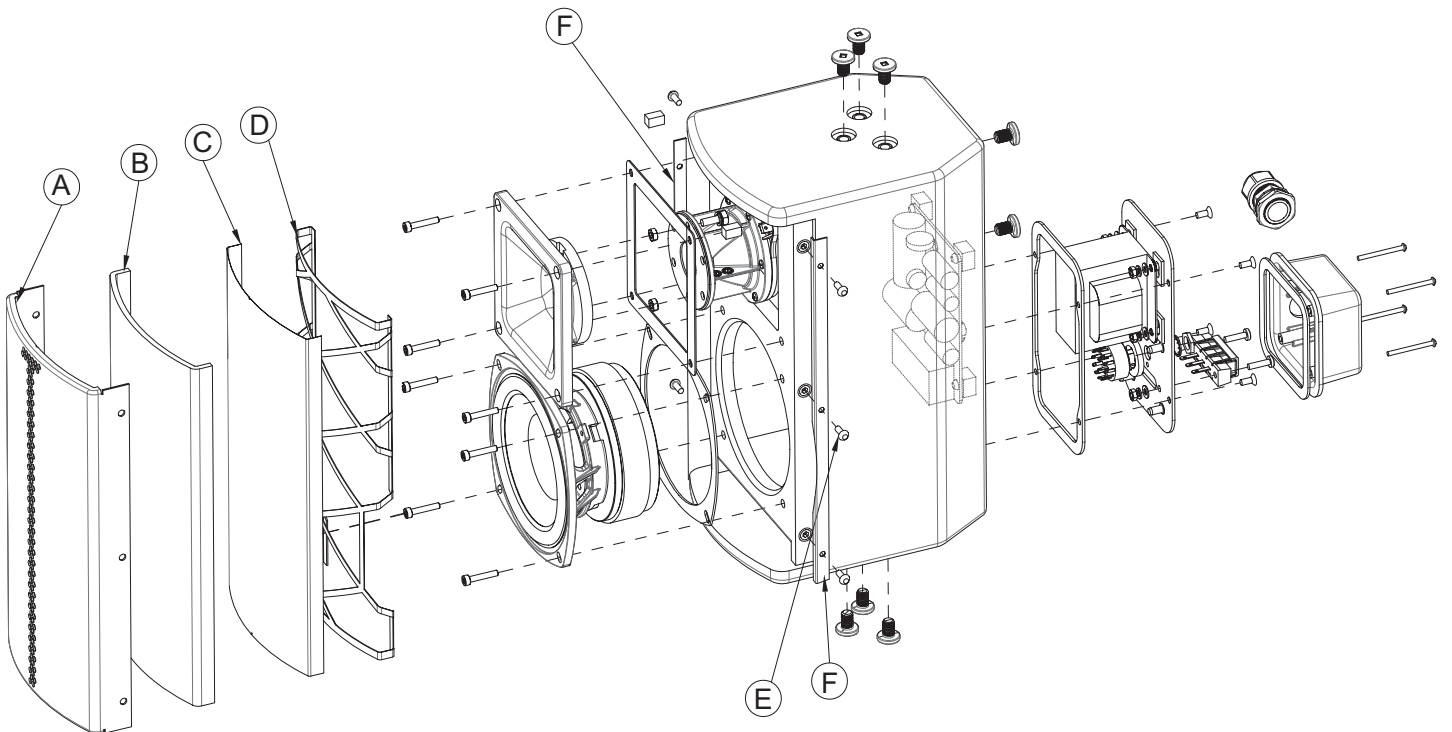


Figure 3. RMU105-WR Main Assembly Exploded View

PACKAGING PART LIST

RMU108-WR Top Level Assembly (see Figure 4)

Item Number	Description	Part Number	Qty.	Note
1	CARTON, AMU108	828895-0010	1	
2	INSERT, CARTON, EPE FOAM, AMU108	829699-0010	2	
3	POLYBAG, LOUDSPEAKER, 520x800x0.04mm	830391-0010	1	

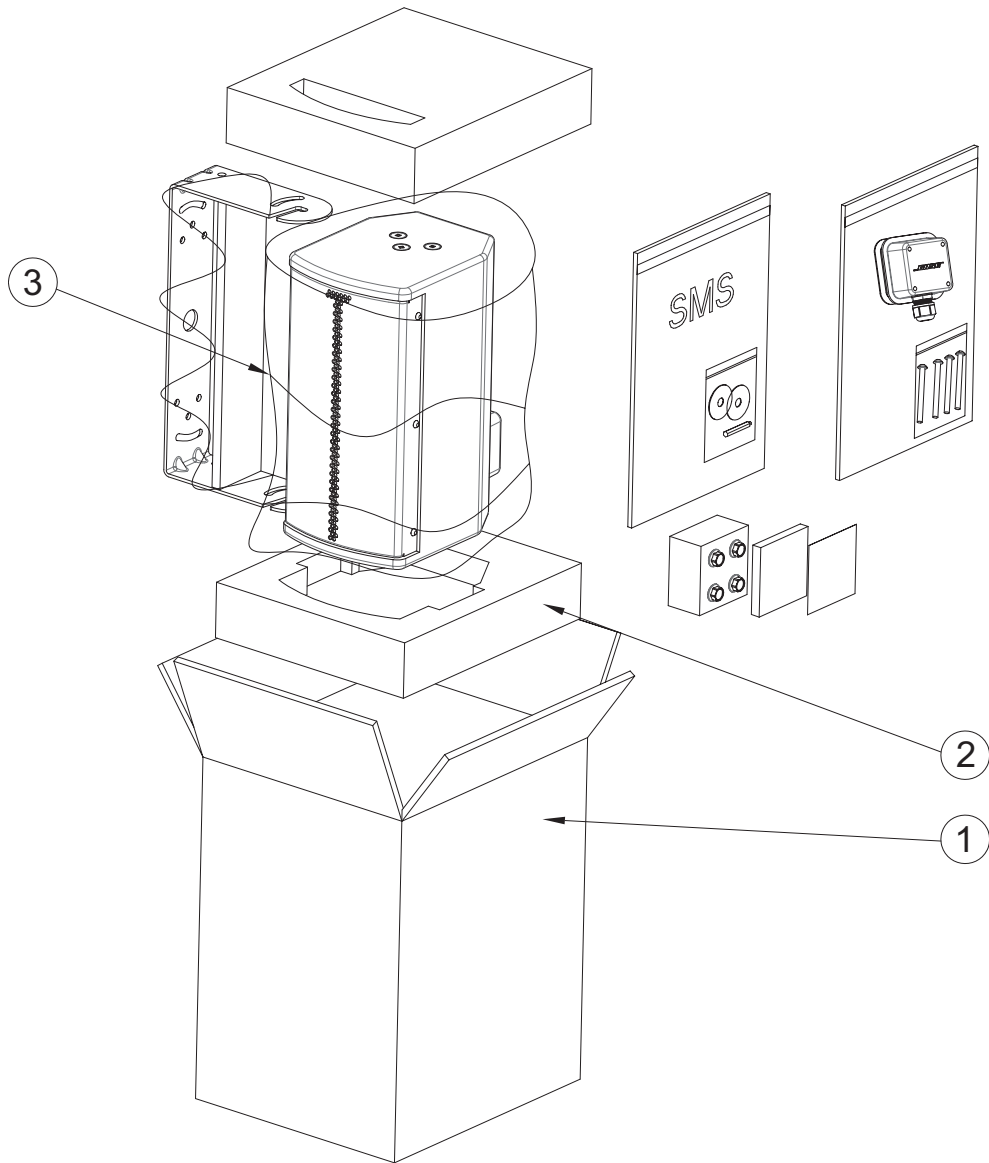


Figure 4. RMU108-WR Top Level Assembly

MAIN ASSEMBLY PART LIST

RMU108-WR Main Assembly Part List (see Figure 5)

Item	Description	Part Number	Qty.	Note
	GRILLE ASSEMBLY, BLK; INCLUDES	814792-011S		
A	- GRILLE, AMU108, BLK	-	1	
B	- SCRIM, GRILLE, AMU108	-	1	
C	- WIRE MESH, SS, GRILLE, AMU108	-	1	
D	- RETAINER, GRILLE, AMU108	-	1	
E	- SCREW, T/H4x12M D=9, SS/DOCRAMET, BLK	-	6	
F	- GASKET, GRILLE, AMU108 (RIGHT AND LEFT)	-	2	
	GRILLE ASSEMBLY, WHT; INCLUDES	814792-021S		
A	- GRILLE, AMU108, WHT	-	1	
B	- SCRIM, GRILLE, AMU108	-	1	
C	- WIRE MESH, SS, GRILLE, AMU108	-	1	
D	- RETAINER, GRILLE, AMU108	-	1	
E	- SCREW, T/H4x12M D=9, SS/DOCRAMET, WHT	-	6	
F	- GASKET, GRILLE, AMU108 (RIGHT AND LEFT)	-	2	

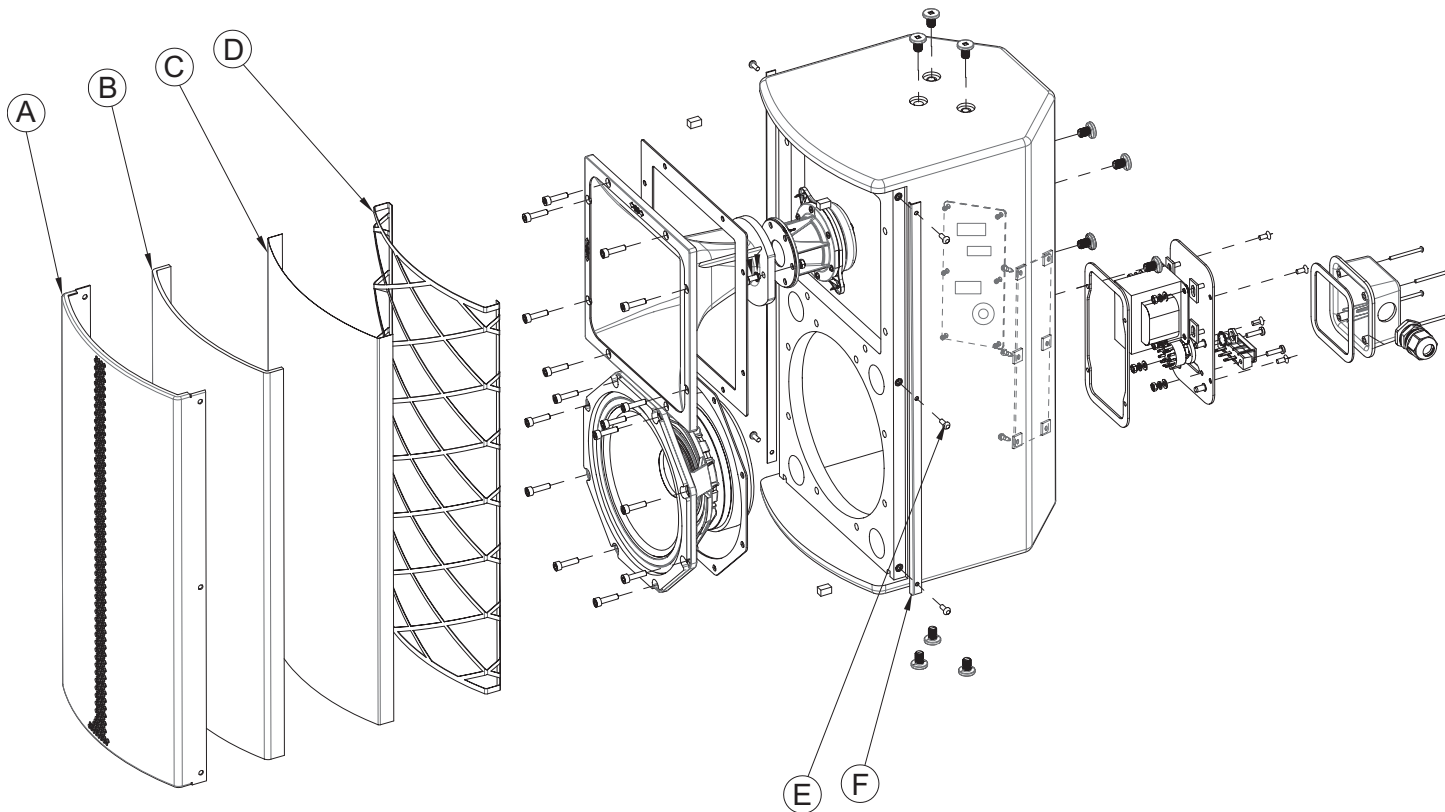


Figure 5. RMU108-WR Main Assembly Exploded View

PACKAGING PART LIST

RMU206-WR Top Level Assembly (see Figure 6)

Item Number	Description	Part Number	Qty.	Note
1	CORNER PAD, CARTON, AMU206, FRT/BACK	836741-0010	4	
2	CORNER PAD, CARTON, AMU206, SIDES	836742-0010	4	
3	INSERT, CARTON, EPE FOAM, LEFT, AMU206	829700-0010	1	
4	POLYBAG, LOUDSPEAKER, 420x900x0.04mm	830387-0010	1	
5	INSERT, CARTON, EPE FOAM, RIGHT, AMU206	829700-0020	1	
6	CARTON, AMU206	828896-0010	1	

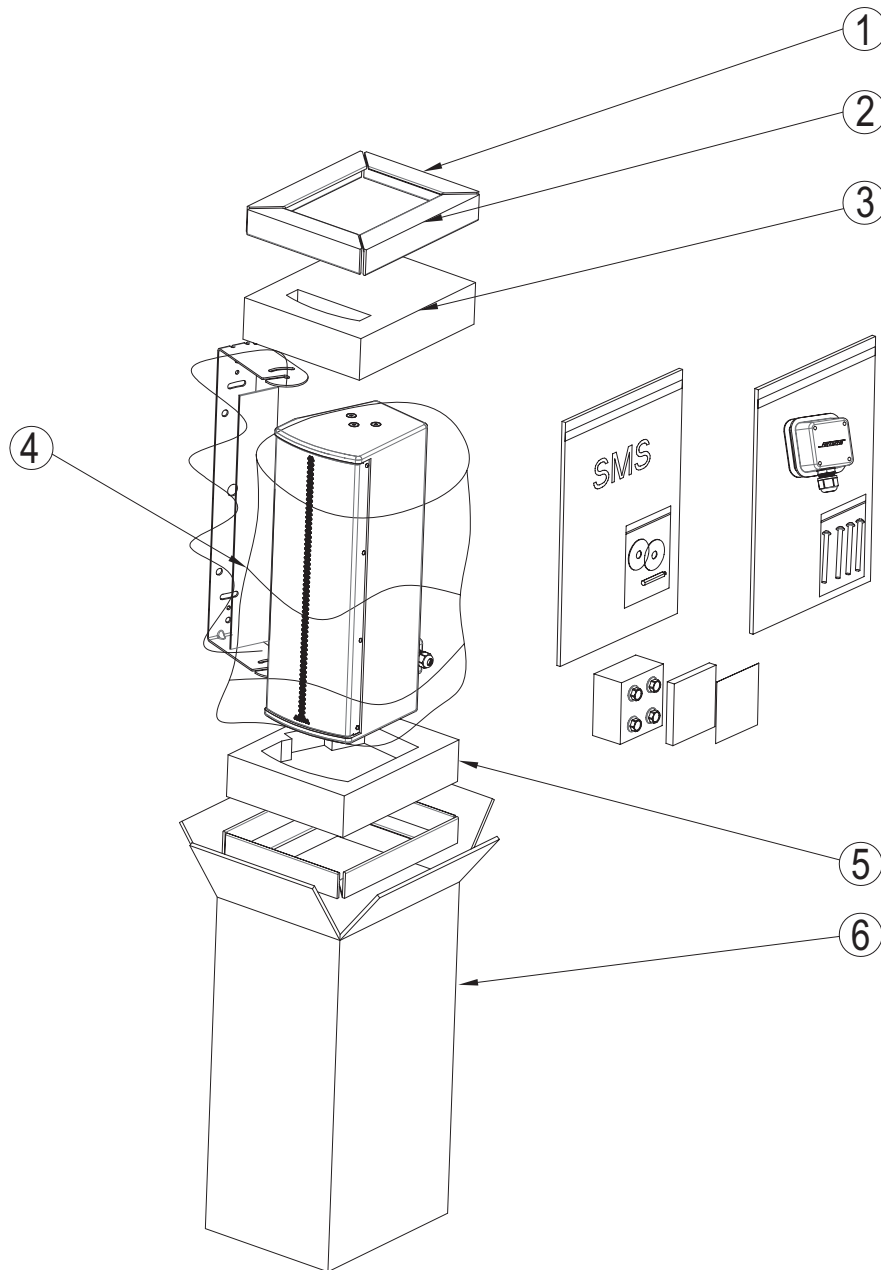


Figure 6. RMU206-WR Top Level Assembly

MAIN ASSEMBLY PART LIST

RMU206-WR Main Assembly Part List (see Figure 7)

Item	Description	Part Number	Qty.	Note
	GRILLE ASSEMBLY, BLK; INCLUDES	814999-011S		
A	- GRILLE, AMU206, BLACK	-	1	
B	- SCRIM, GRILLE, AMU206	-	1	
C	- WIRE MESH, SS, GRILL, AMU206	-	1	
D	- RETAINER, GRILLE, AMU206	-	1	
E	- SCREW, T/H4x12M D=9, SS/DOCRAMET, BLK	-	8	
F	- GASKET, GRILLE, AMU206 (RIGHT AND LEFT)	-	2	
	GRILLE ASSEMBLY, WHT; INCLUDES	814999-021S		
A	- GRILLE, AMU206, WHT	-	1	
B	- SCRIM, GRILLE, AMU206	-	1	
C	- WIRE MESH, SS, GRILLE, AMU206	-	1	
D	- RETAINER, GRILLE, AMU206	-	1	
E	- SCREW, T/H4x12M D=9, SS/DOCRAMET, WHT	-	8	
F	- GASKET, GRILLE, AMU206 (RIGHT AND LEFT)	-	2	

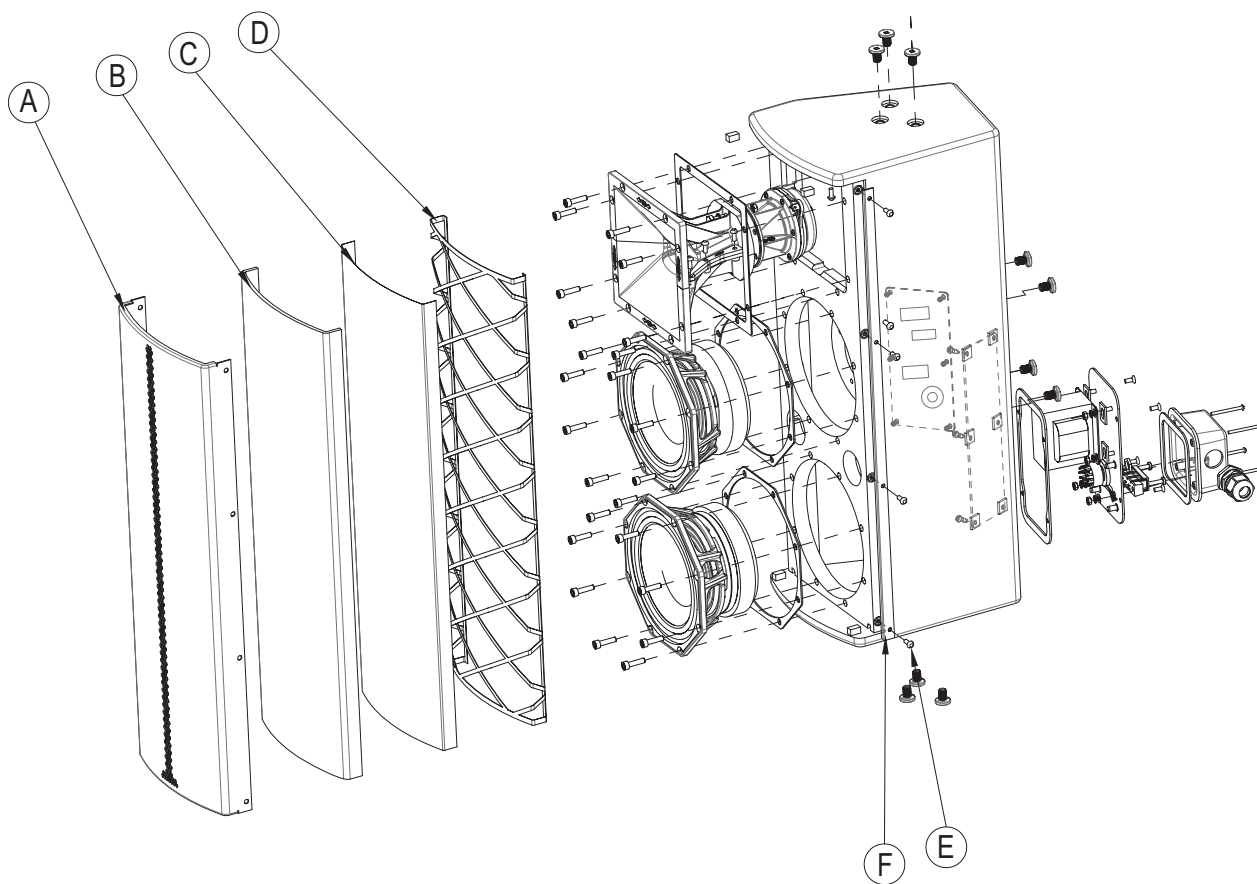


Figure 7. RMU206-WR Main Assembly Exploded View

PACKAGING PART LIST

RMU208-WR Top Level Assembly (see Figure 8)

Item Number	Description	Part Number	Qty.	Note
1	SUPPORT, CORNER, CARDBOARD	373752-0010	4	
2	SUPPORT, CORNER, CARDBOARD	373752-0020	4	
3	INSERT, CARTON, EPE FOAM, LEFT, AMU208	829701-0010	1	
4	POLYBAG, LOUDSPEAKER, 650x1000x0.04mm	830395-0010	1	
5	CARTON, AMU208	828897-0010	1	

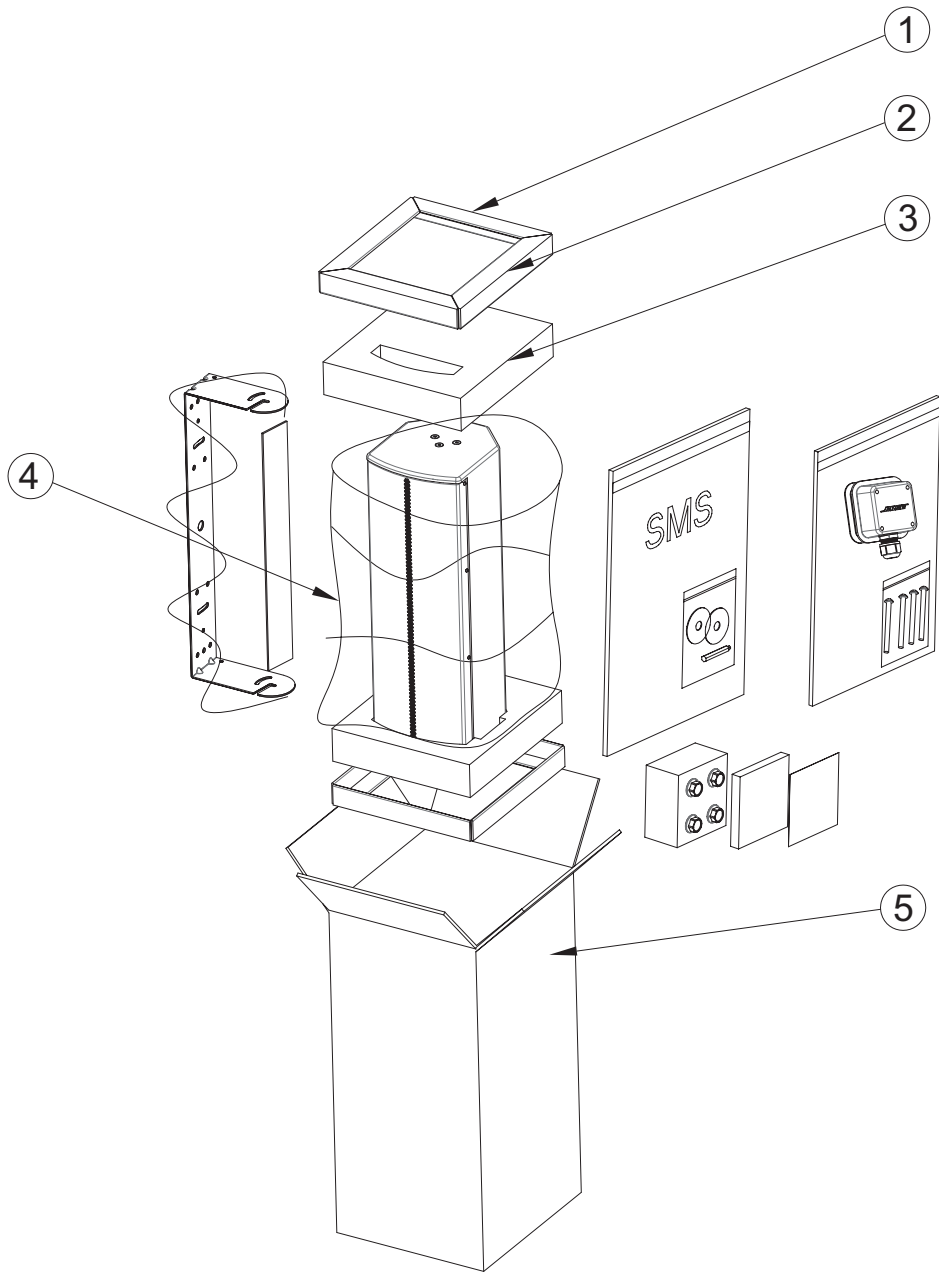


Figure 8. RMU208-WR Top Level Assembly

MAIN ASSEMBLY PART LIST

RMU208-WR Main Assembly Part List (see Figure 9)

Item	Description	Part Number	Qty.	Note
	ASSY, GRILLE, AMU208, BLACK, SVCE; INCLUDES	814943-011S		
A	- GRILLE, AMU208, BLACK	-	1	
B	- SCRIM, GRILLE, AMU208	-	1	
C	- WIRE MESH, SS, GRILLE, AMU208	-	1	
D	- RETAINER, GRILLE, AMU208	-	1	
E	- SCREW, T/H4x12M D=9, SS/DOCRAMET, BLK	-	8	
F	- GASKET, GRILLE, AMU208 (RIGHT AND LEFT)	-	2	
	ASSY, GRILLE, AMU208, WHT, SVCE; INCLUDES	814943-021S		
A	- GRILLE, AMU208, WHT	-	1	
B	- SCRIM, GRILLE, AMU208	-	1	
C	- WIRE MESH, SS, GRILLE, AMU208	-	1	
D	- RETAINER, GRILLE, AMU208	-	1	
E	- SCREW, T/H4x12M D=9, SS/DOCRAMET, WHT	-	8	
F	- GASKET, GRILLE, AMU208 (RIGHT AND LEFT)	-	2	

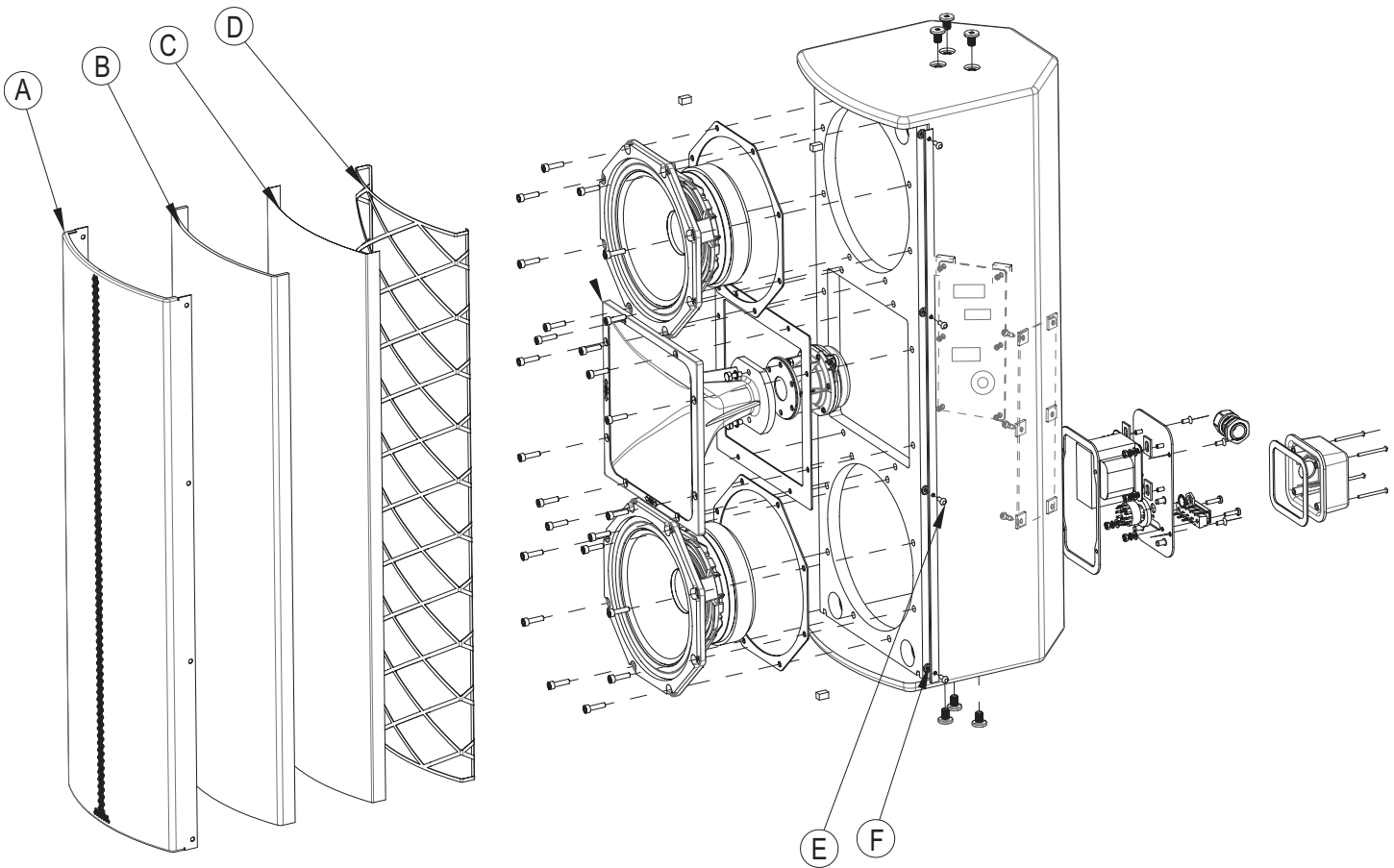


Figure 9. RMU208-WR Main Assembly Exploded View

PACKAGING PART LIST

MB210-WR Top Level Assembly (see Figure 10)

Item Number	Description	Part Number	Qty.	Note
1	POLYBAG, MB210-WR	792466-0010	1	
2	PACKING, CORNER STIFFENER, 758X60X60	792462-0010	4	
3	PACKING, STIFFENER, 400X50X50	797935-0010	4	
4	INSERT, CARTON, EPE FOAM, MB210-WR	829702-0010	2	
5	CARTON, MB210	792461-0010	1	

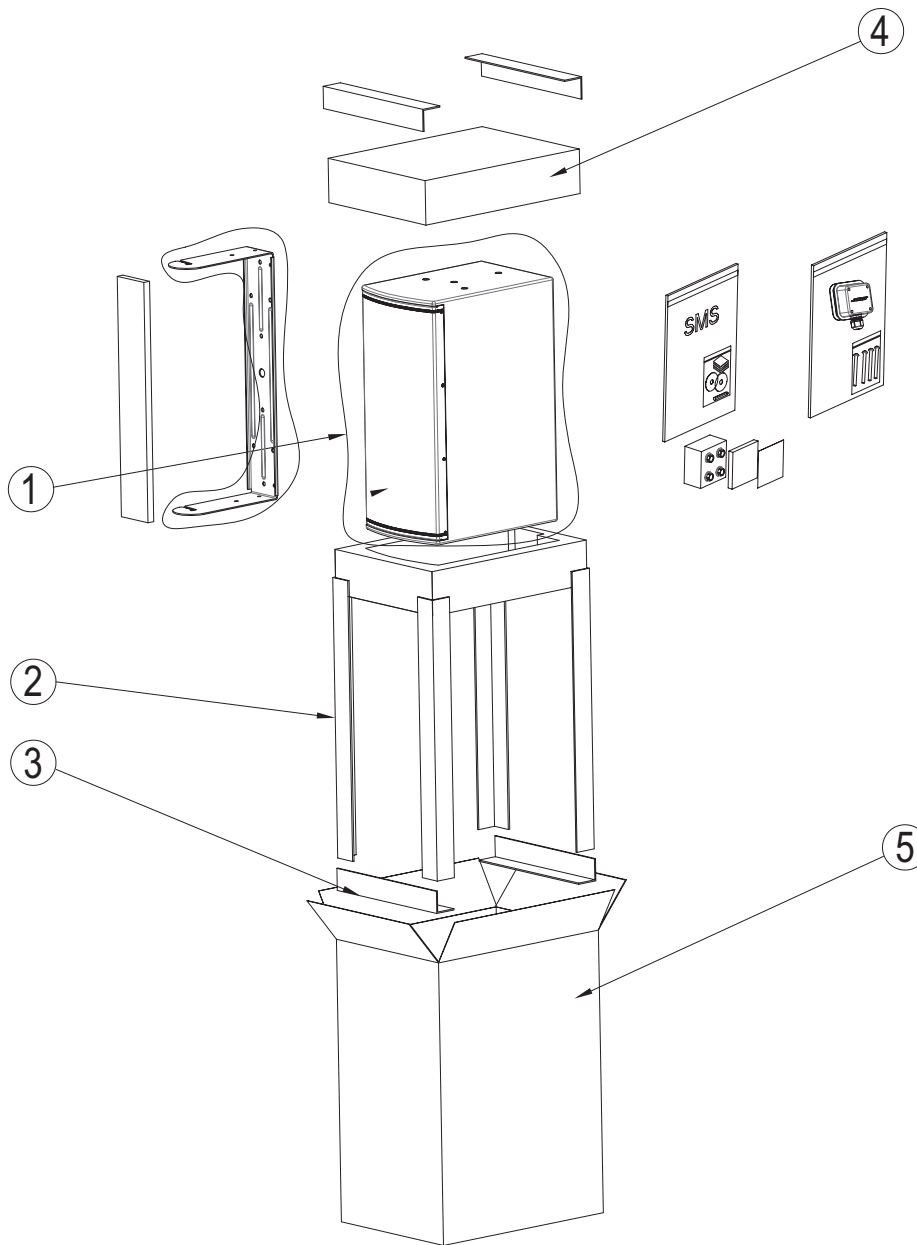


Figure 10. MB210-WR Top Level Assembly

MAIN ASSEMBLY PART LIST

MB210-WR Main Assembly Part List (see Figure 11)

Item	Description	Part Number	Qty.	Note
	ASSY, GRILLE, AMU208, BLACK, SVCE; INCLUDES	815008-011S		
A	- GRILLE, MB210-WR, BLACK	-	1	
B	- SCRIM, GRILLE, MB210-WR	-	1	
C	- WIRE MESH, SS, GRILLE, MB210-WR	-	1	
D	- RETAINER, GRILLE, MB210-WR	-	1	
E	- GASKET, GRILLE, MB210-WR (RIGHT AND LEFT)	-	2	
F	- SCREW, T/H4x12M D=9, SS/DOCRAMET, BLK	-	8	
	ASSY, GRILLE, AMU208, WHT, SVCE; INCLUDES	815008-021S		
A	- GRILLE, MB210-WR, WHITE	-	1	
B	- SCRIM, GRILLE, MB210-WR	-	1	
C	- WIRE MESH, SS, GRILLE, MB210-WR	-	1	
D	- RETAINER, GRILLE, MB210-WR	-	1	
E	- GASKET, GRILLE, MB210-WR (RIGHT AND LEFT)	-	2	
F	- SCREW, T/H4x12M D=9, SS/DOCRAMET, WHT	-	8	

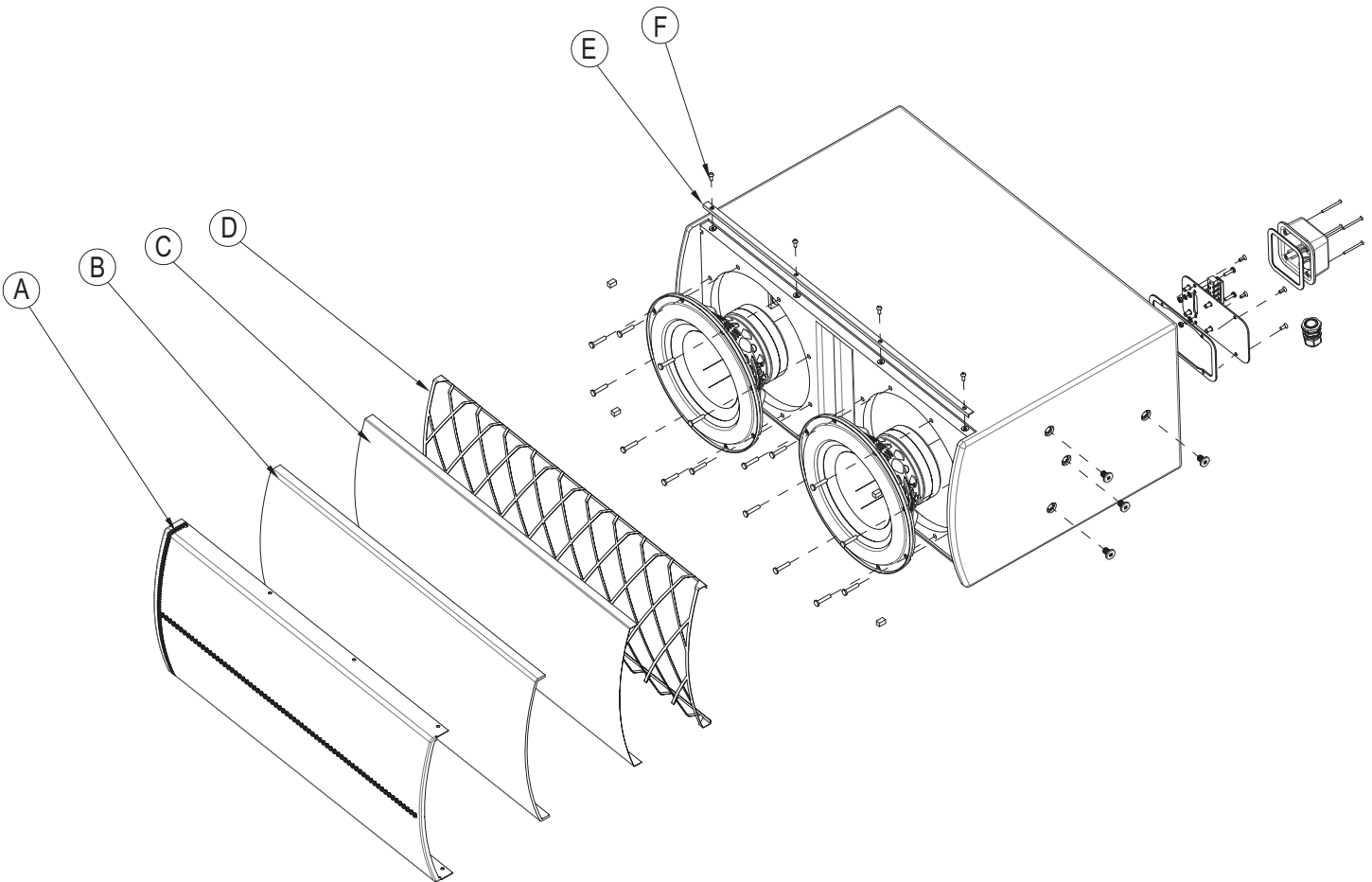
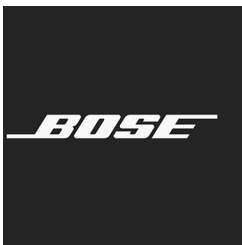


Figure 11. MB210-WR Main Assembly Exploded View

SERVICE MANUAL REVISION HISTORY

Date	Revision Level	Description of Change	Change Driven By	Page(s) Affected
4/23/19	00	Document released at revision 00	Initial Release	ALL



Bose Corporation
100 The Mountain Road
Framingham Massachusetts USA 01701

Reference Number 811362-SM REV 00; 4/2019
<http://serviceops.bose.com>