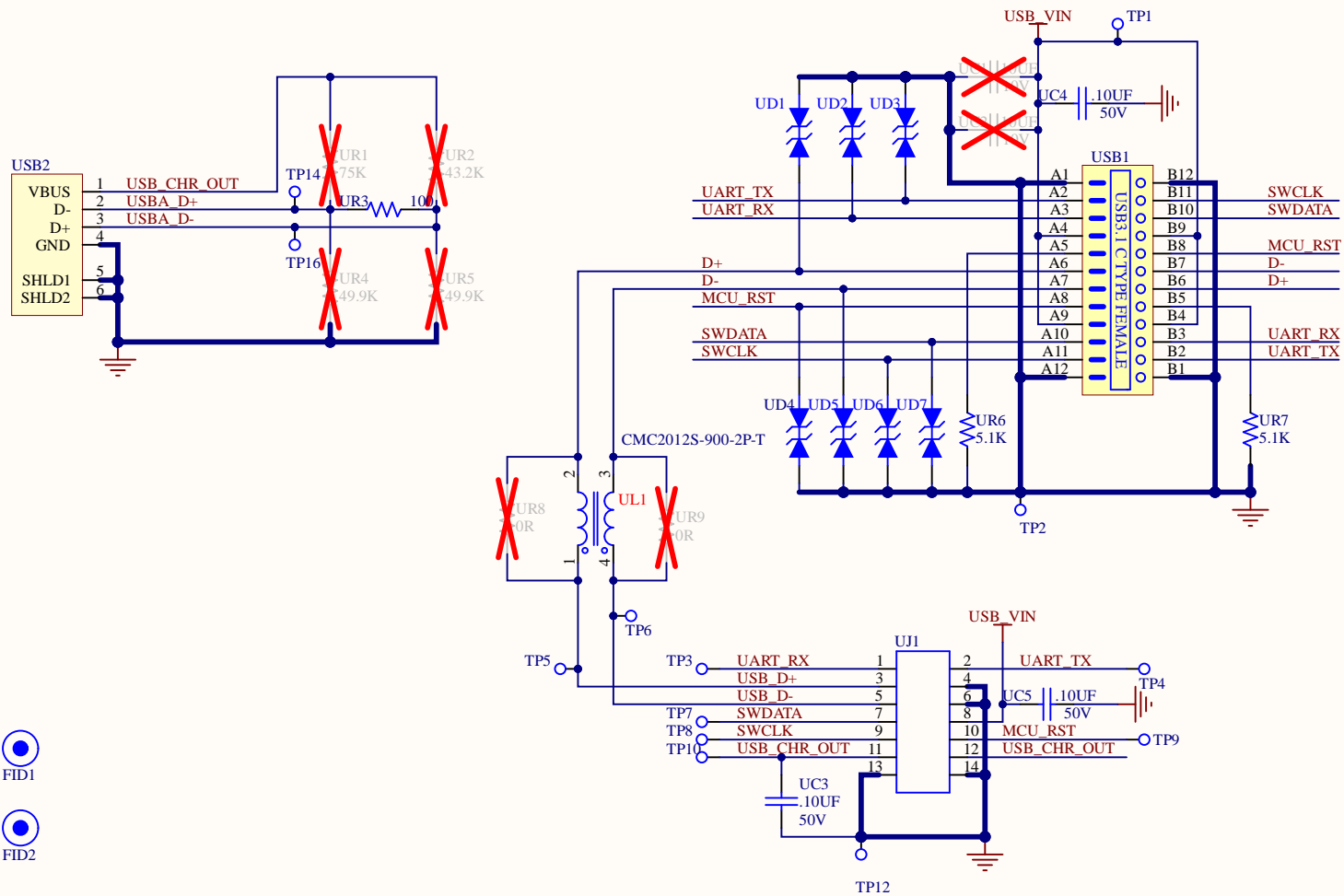


### USB (TYPE C&USBA) CONNECT BOARD

USB-A Connector Input for Charge

USB-C Connector Input for Firmware upgrade



	<b>Baby Yoda USB Board</b>			Description of Changes/Notes	Rev.
	Product: Baby Yoda File Name: USB Board.SchDoc Part Number: Part Number Revision: 3.0.0    Drawn By: ZC.Hu    Size: A4 Status: <b>PO/SOR</b> Checked By: Vincent.Xu    Mod By: ZC.Hu Lead Engineer: Kelvin.Lo    Mod Date: 2022/12/8 Date: 2022/12/8    Time: 15:27:59    Approved By: Kelvin.Lo Sheet: 1 of 1				