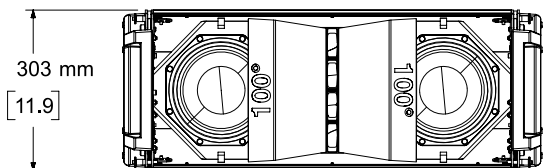
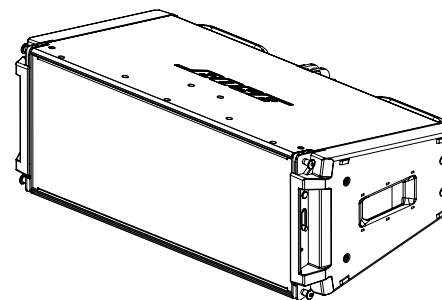
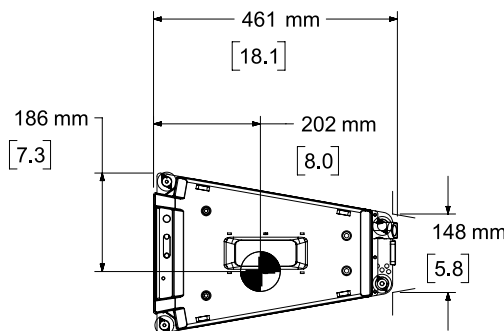


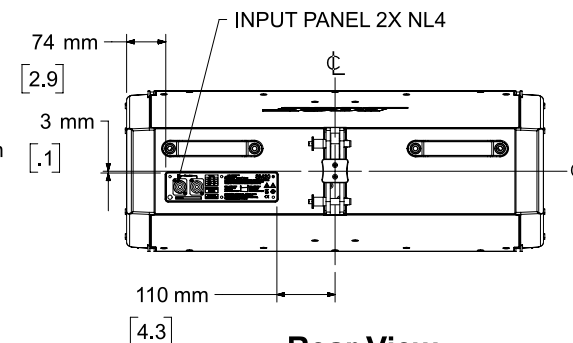
Top View



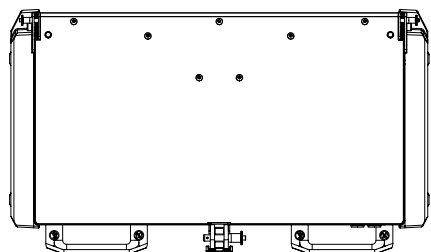
Front View
GRILLE REMOVED FOR CLARITY



Right View
DIMENSIONS APPLY TO BOTH SIDES



Rear View



Bottom View

NOTES:

- 1. SYMBOL INDICATES CENTER OF GRAVITY
- 2. WEIGHT APPROX. 29.0 kg [64.0lbs]
- 3. SYMBOL INDICATES QUICK PIN CONNECTION LOCATIONS
- 4. DIMENSIONS ARE IN MILLIMETERS OVER INCHES

	THIRD ANGLE PROJECTION	DESCRIPTION	
		SHOWMATCH SM20	
<small>UNLESS OTHERWISE SPECIFIED INTERPRET THIS DRAWING PER ASME Y14.5M-1997</small>	CAGE CODE	DOCUMENT NUMBER	VERSION
		RF730999-MKTCADS-20	01.4
PROFESSIONAL	<small>DO NOT SCALE DRAWING</small>	<small>NOTICE</small> <small>2023 BOSE PROFESSIONAL</small> <small>THIS DRAWING MAY NOT BE COPIED, REPRODUCED, OR USED AS THE BASIS FOR MANUFACTURE OR SALE OF APPARATUS WITHOUT THE PRIOR WRITTEN AUTHORIZATION OF BOSE PROFESSIONAL.</small>	