

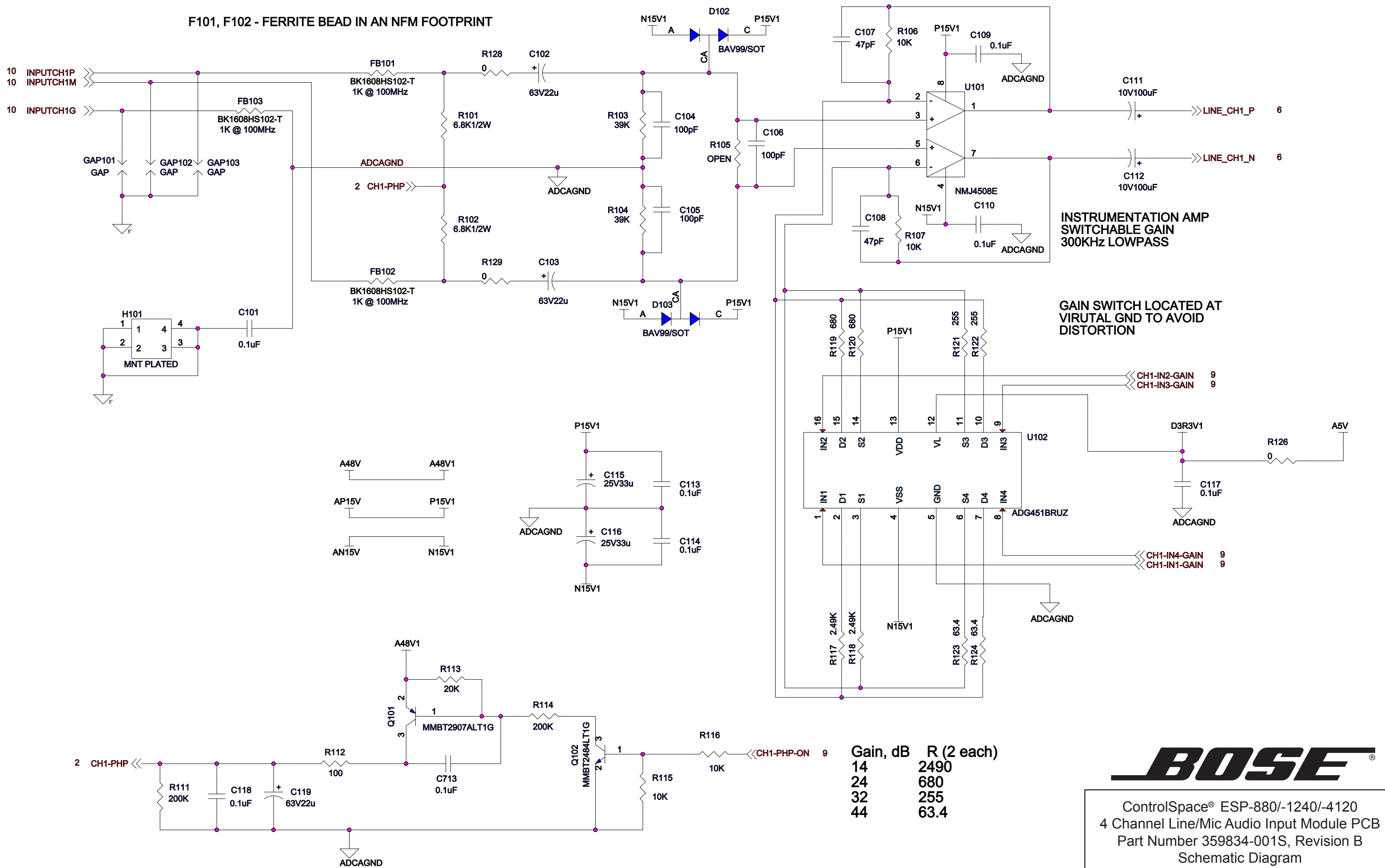
SCHEMATIC CONTENTS

- SHEET01 - TITLE PAGE
- SHEET02 - INPUT - CH1
- SHEET03 - INPUT - CH2
- SHEET04 - INPUT - CH3
- SHEET05 - INPUT - CH4
- SHEET06 - FILTER - CH12
- SHEET07 - FILTER - CH12
- SHEET08 - ADC
- SHEET09 - I2C IO BUFFER
- SHEET10 - CONNECTOR - PWR



ControlSpace® ESP-880/-1240/-4120
4 Channel Line/Mic Audio Input Module PCB
Part Number 359834-001S, Revision B
Schematic Diagram
Sheet 1 of 10

F101, F102 - FERRITE BEAD IN AN NFM FOOTPRINT



INSTRUMENTATION AMP
SWITCHABLE GAIN
300KHz LOWPASS

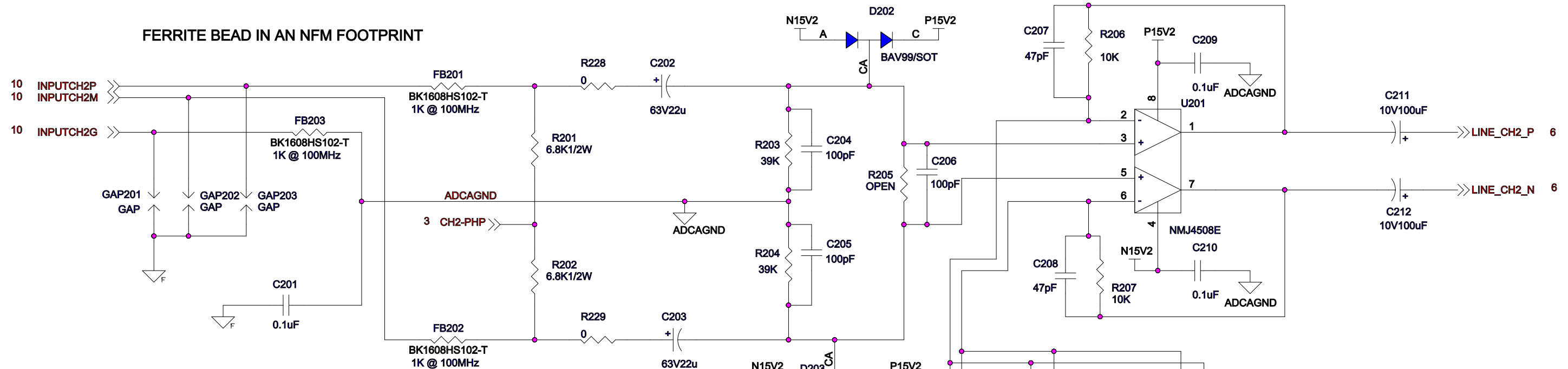
GAIN SWITCH LOCATED AT
VIRUTAL GND TO AVOID
DISTORTION

Gain, dB	R (2 each)
14	2490
24	680
32	255
44	63.4

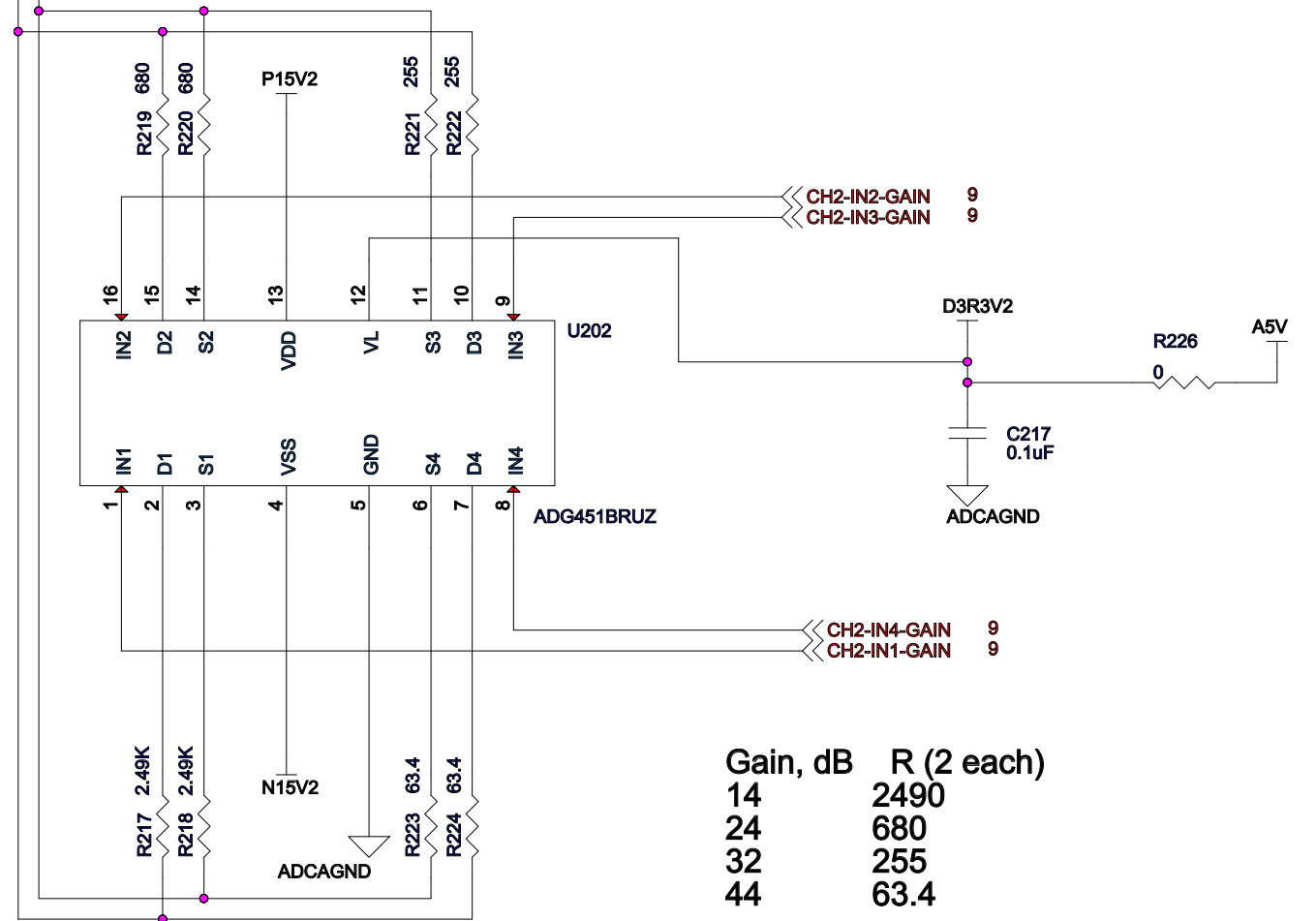
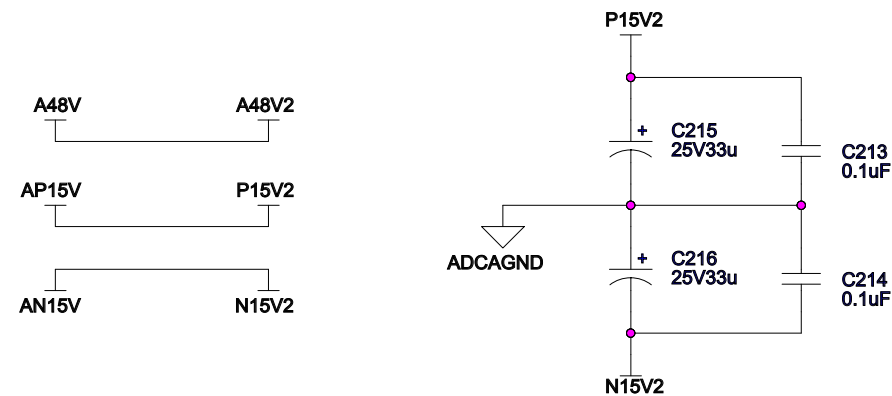


ControlSpace® ESP-880/-1240/-4120
4 Channel Line/Mic Audio Input Module PCB
Part Number 359834-001S, Revision B
Schematic Diagram
Sheet 2 of 10

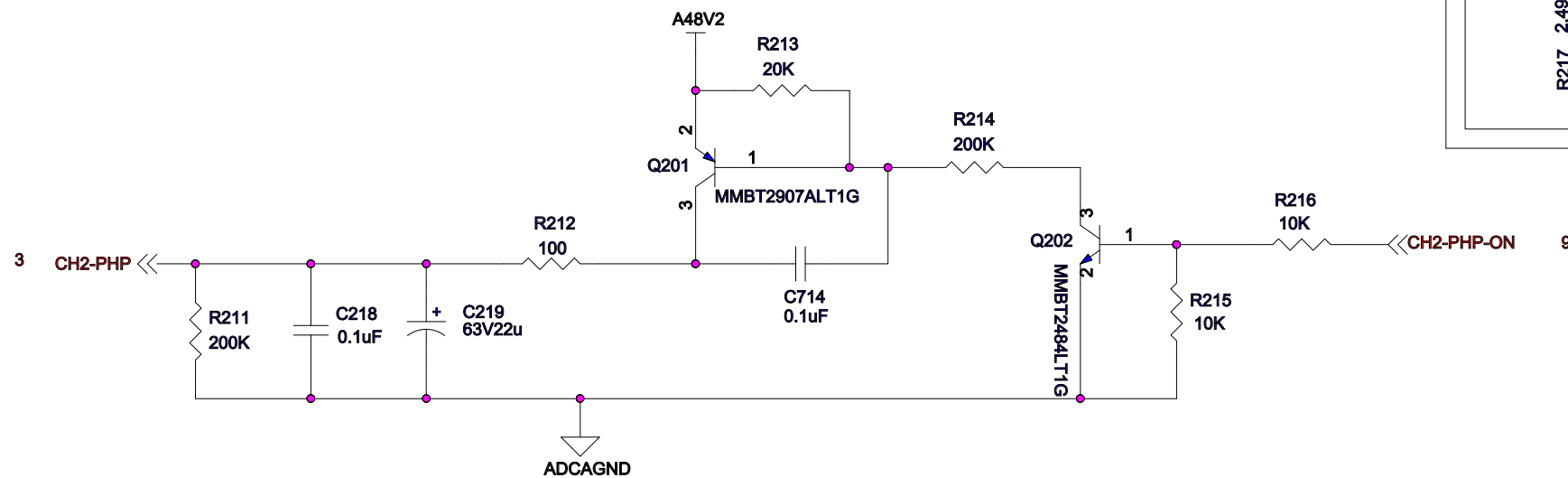
FERRITE BEAD IN AN NFM FOOTPRINT



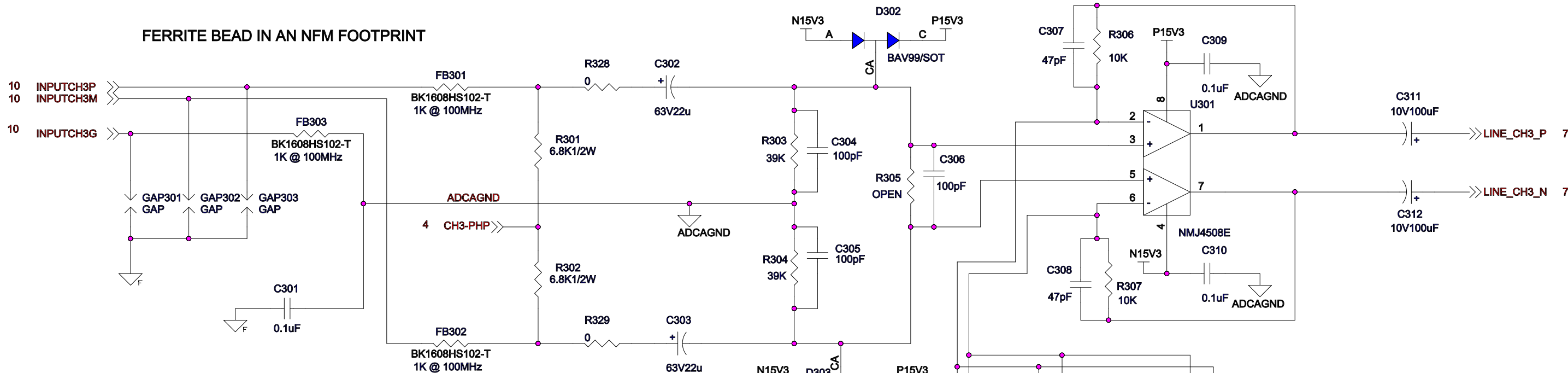
FERRITE BEAD IN AN NFM FOOTPRINT



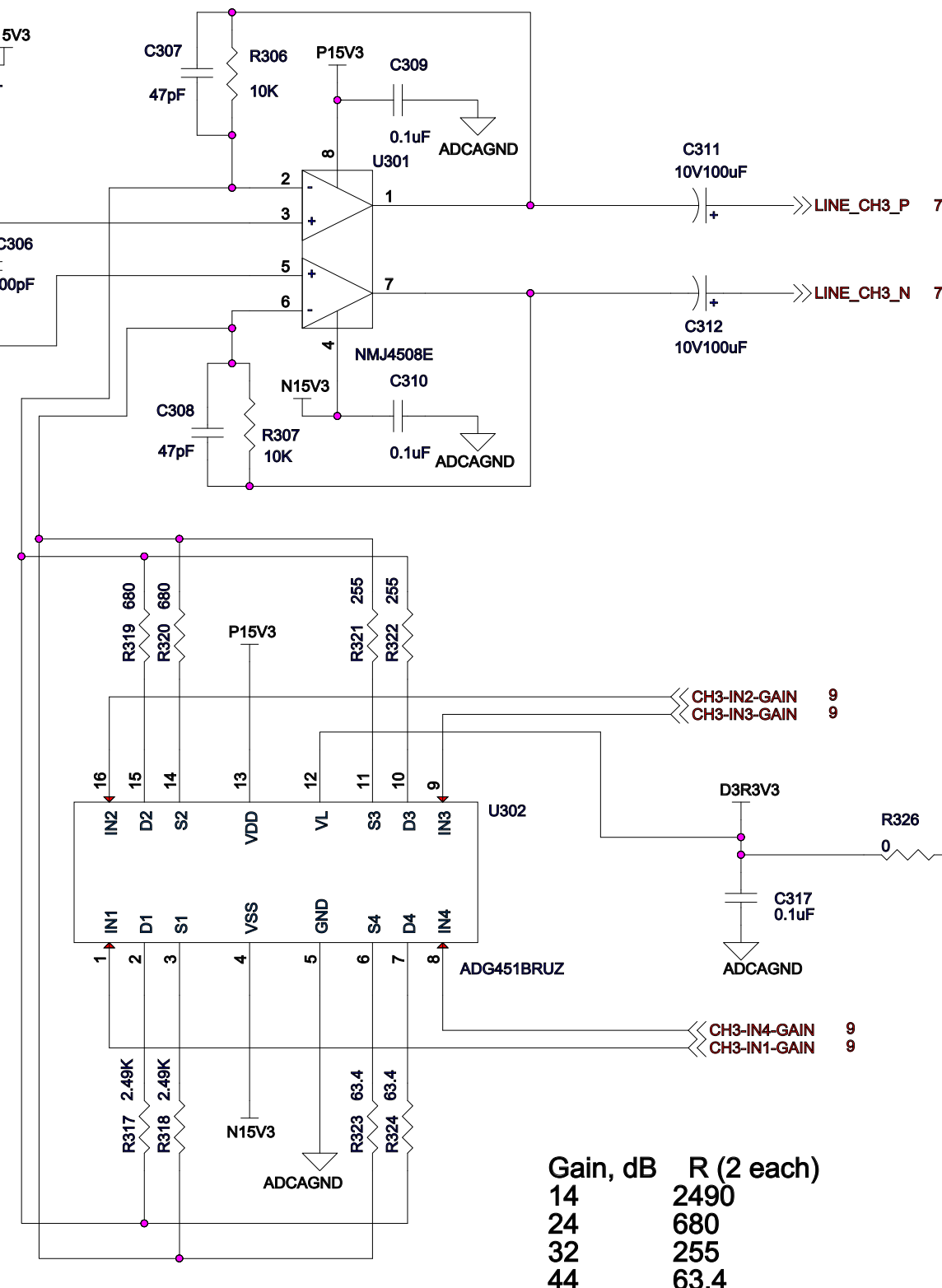
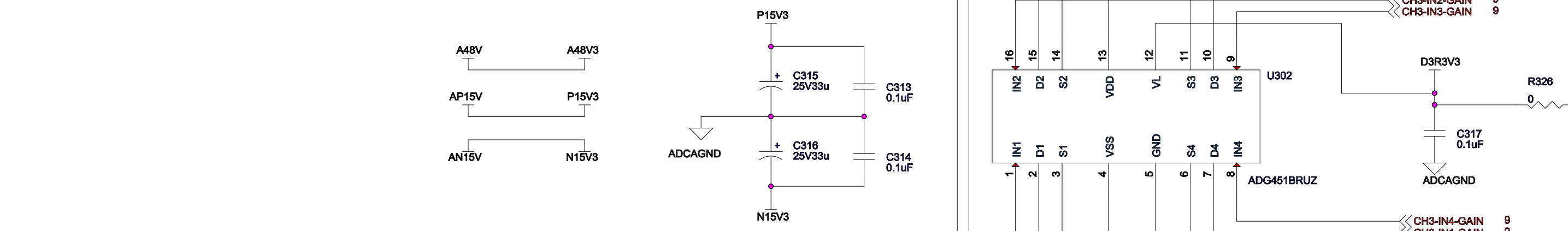
Gain, dB	R (2 each)
14	2490
24	680
32	255
44	63.4



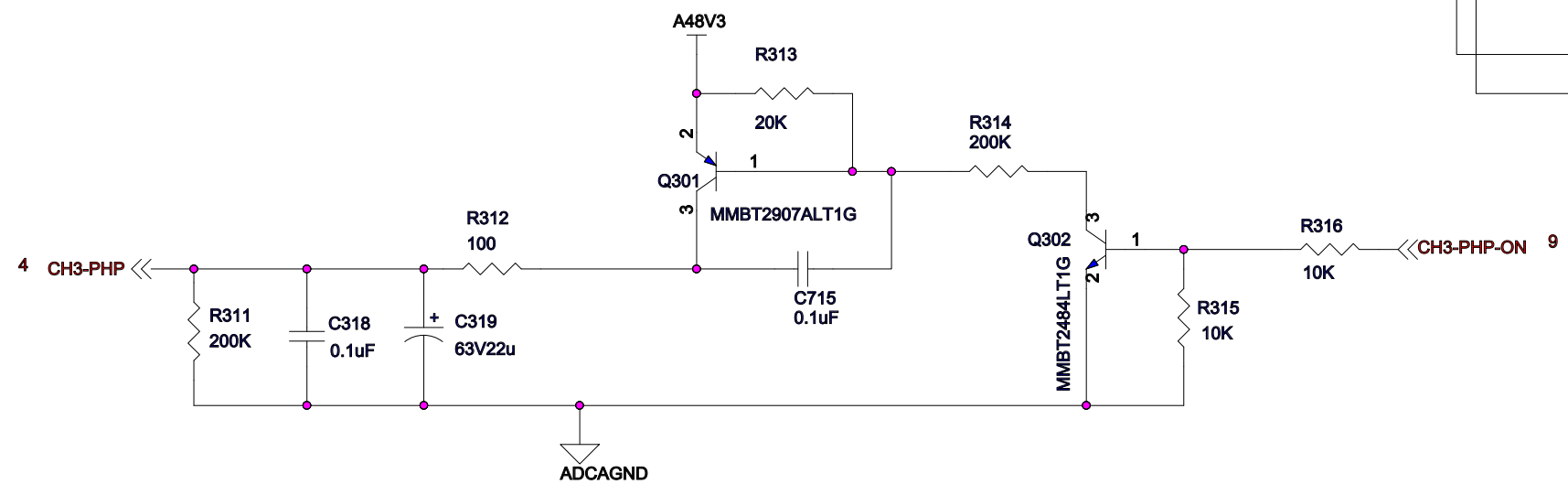
FERRITE BEAD IN AN NFM FOOTPRINT

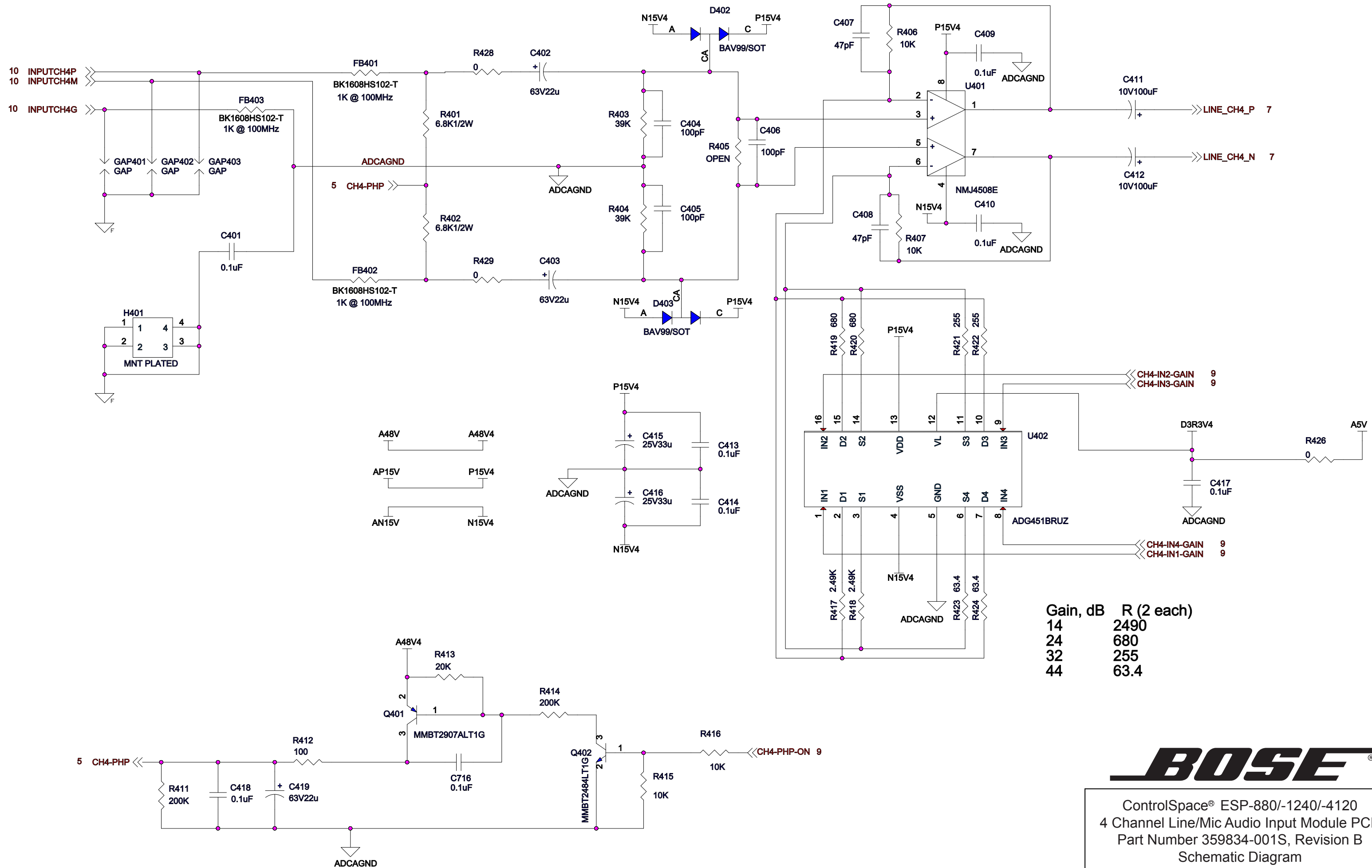


FERRITE BEAD IN AN NFM FOOTPRINT

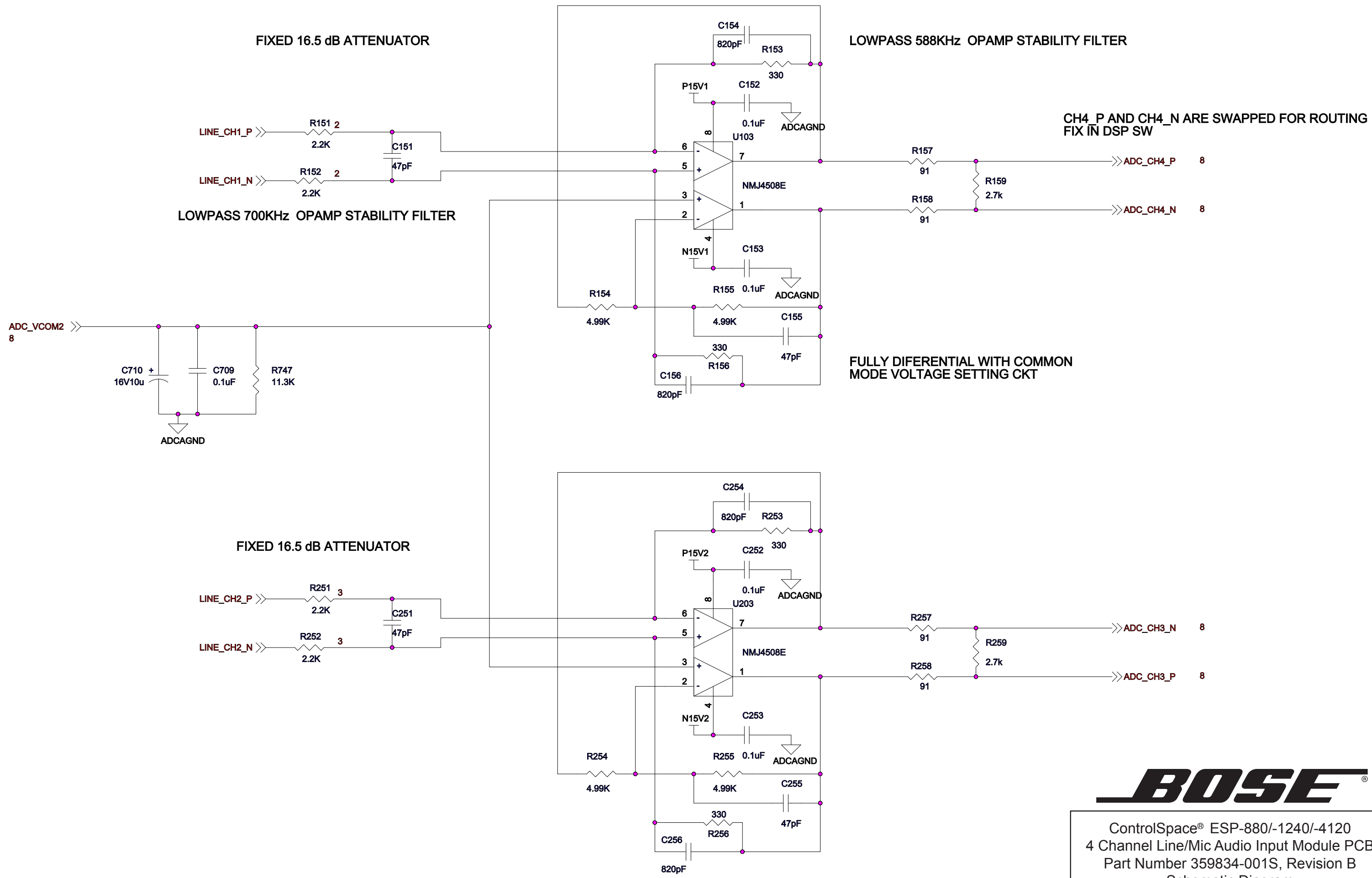


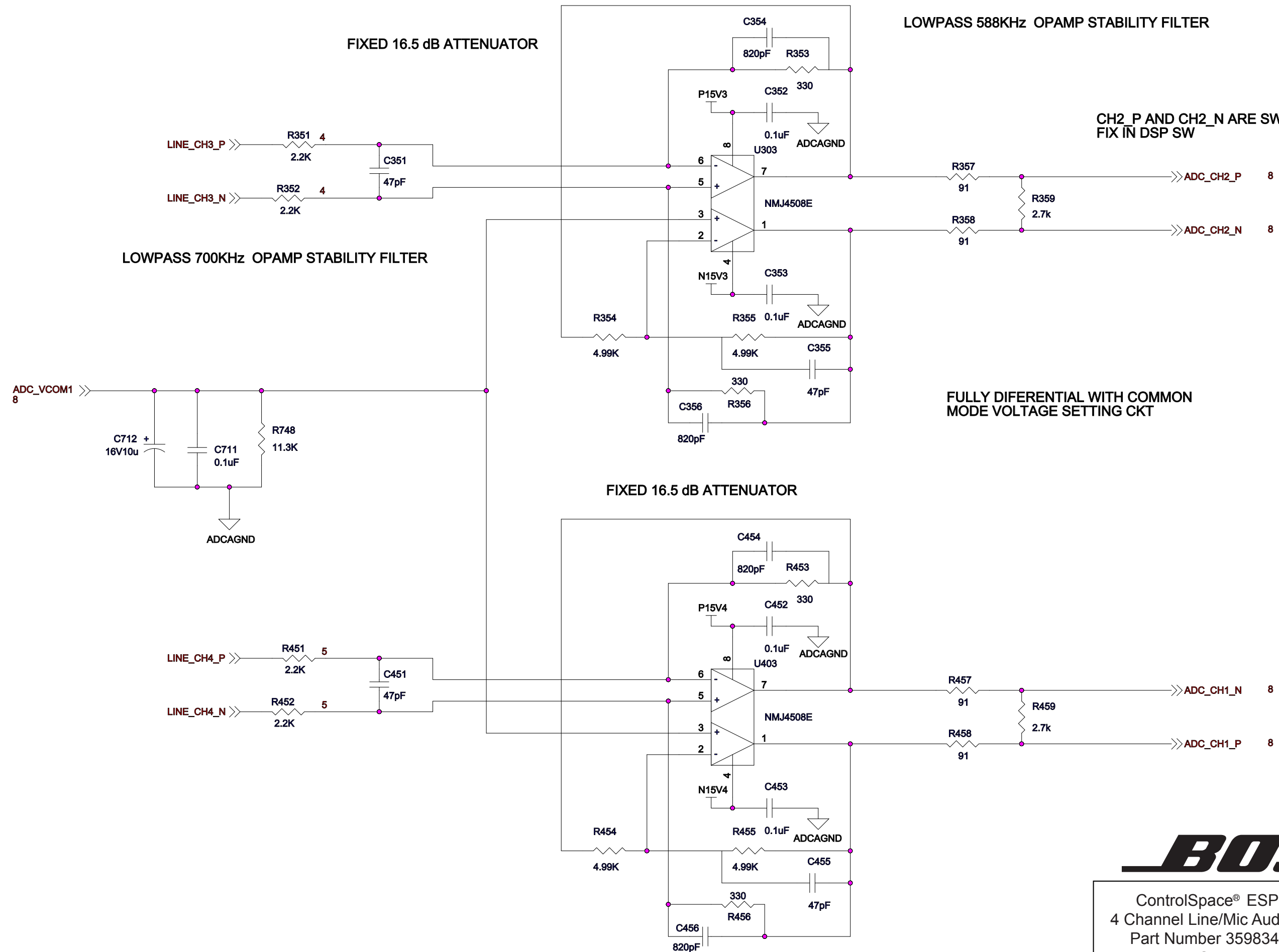
Gain, dB	R (2 each)
14	2490
24	680
32	255
44	63.4

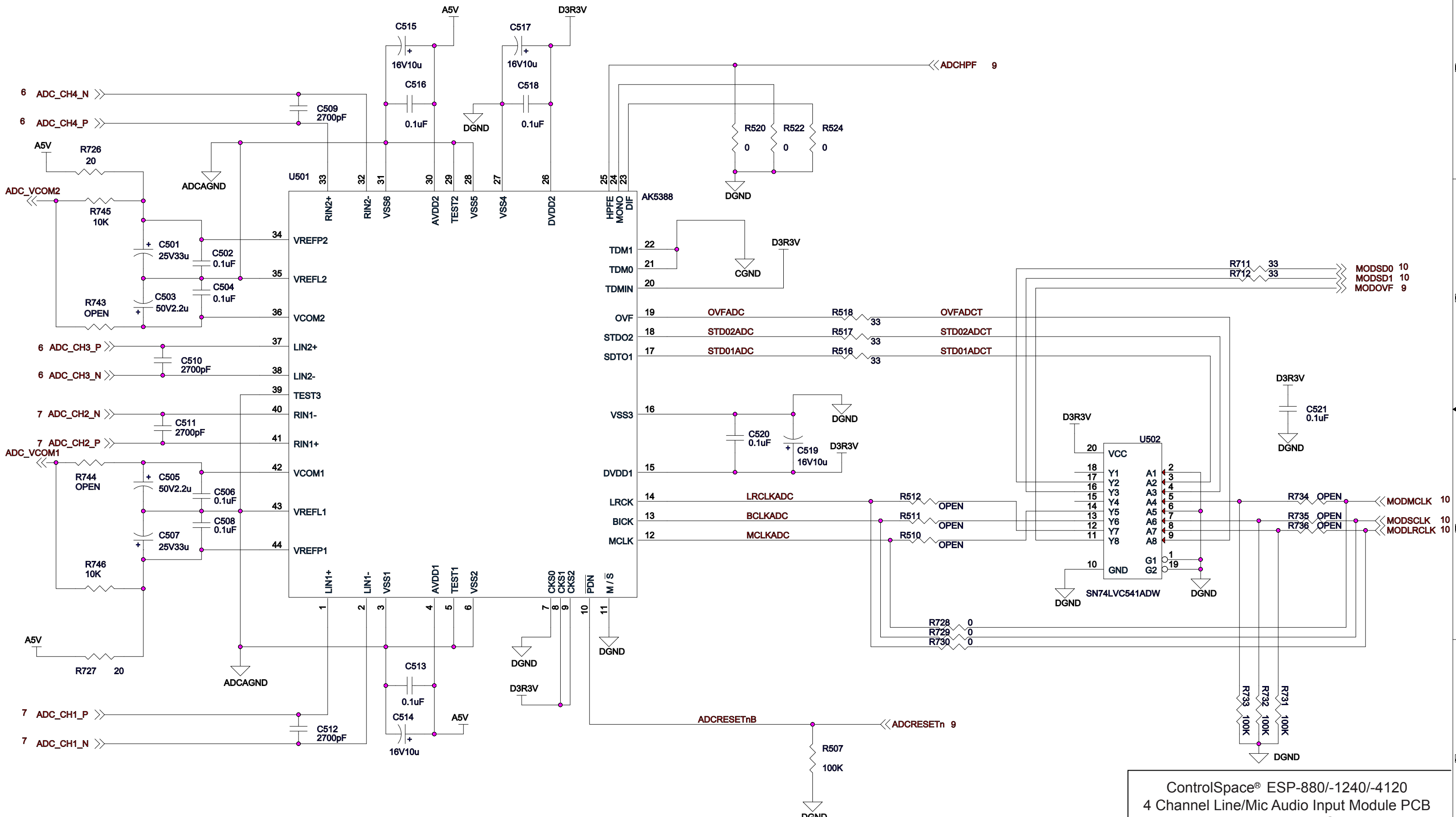




ControlSpace® ESP-880/-1240/-4120
 4 Channel Line/Mic Audio Input Module PCB
 Part Number 359834-001S, Revision B
 Schematic Diagram
 Sheet 5 of 10

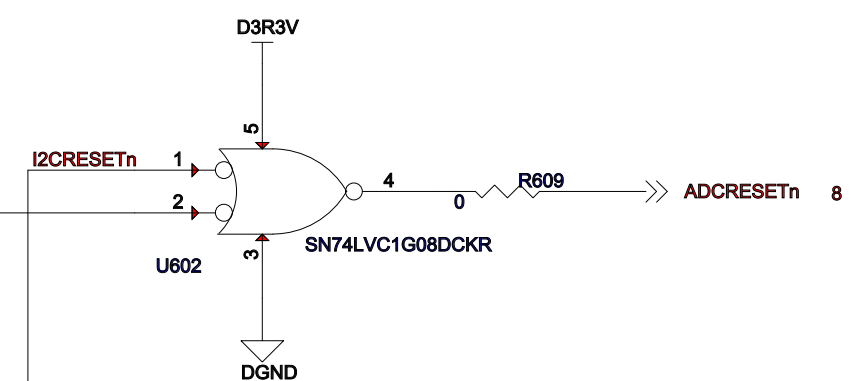
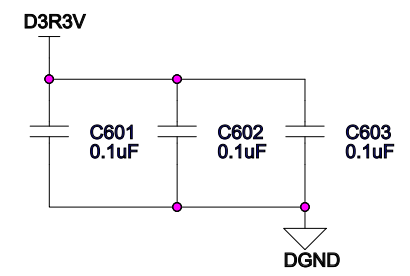
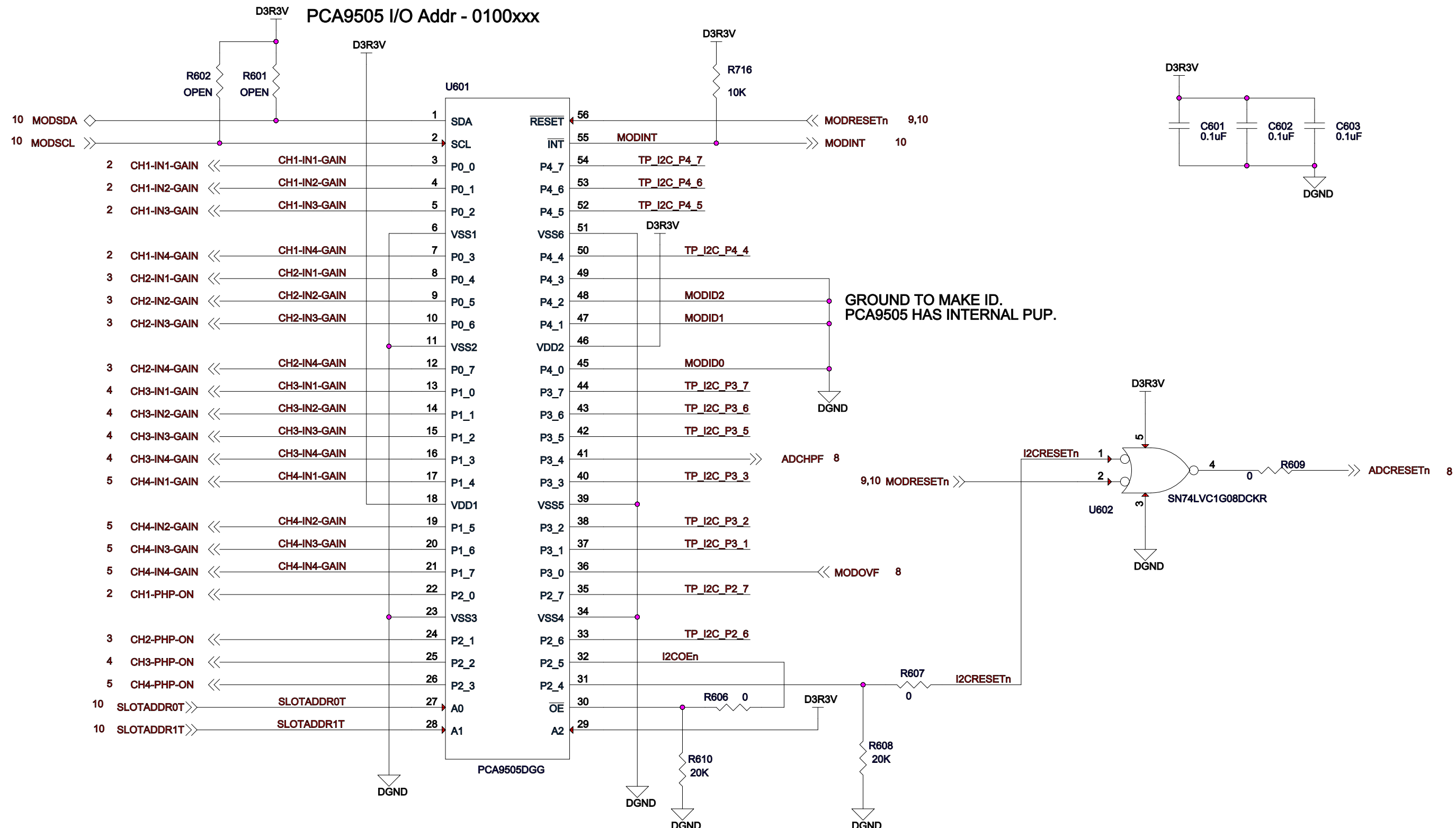


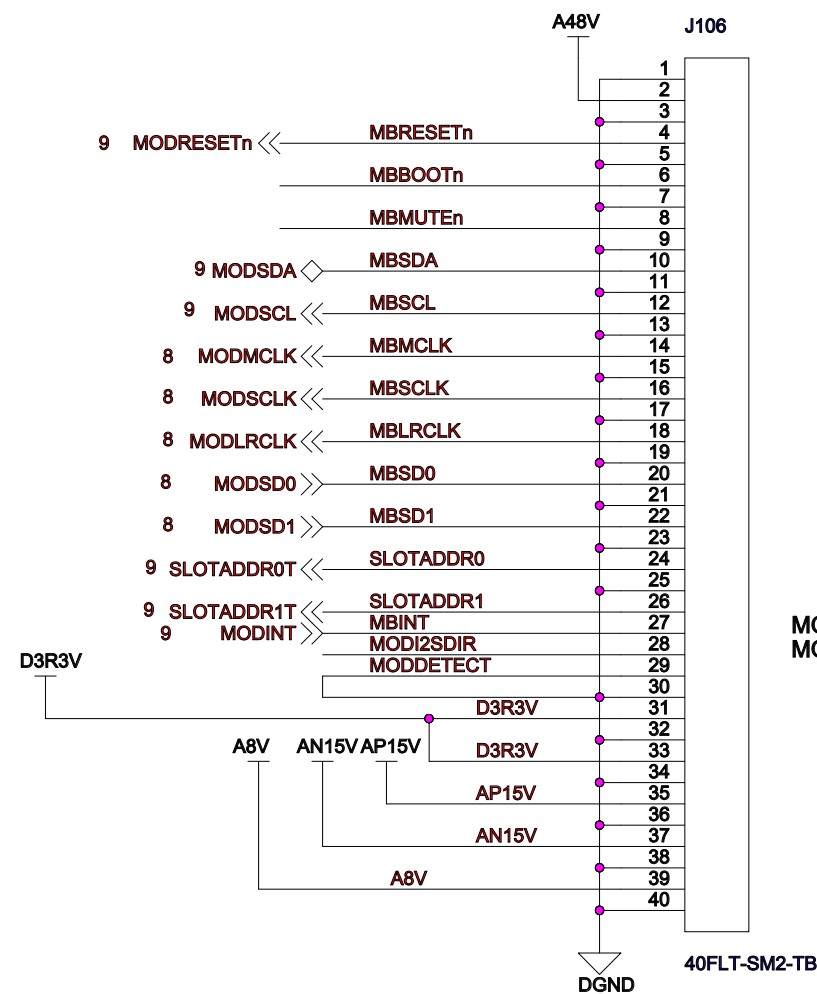




ControlSpace® ESP-880/-1240/-4120
 4 Channel Line/Mic Audio Input Module PCB
 Part Number 359834-001S, Revision B
 Schematic Diagram
 Sheet 8 of 10







MODI2SDIR informs the main card of the direction of this card's I/O
 MODDETECT tells the main card a card is present

