

A

B

C

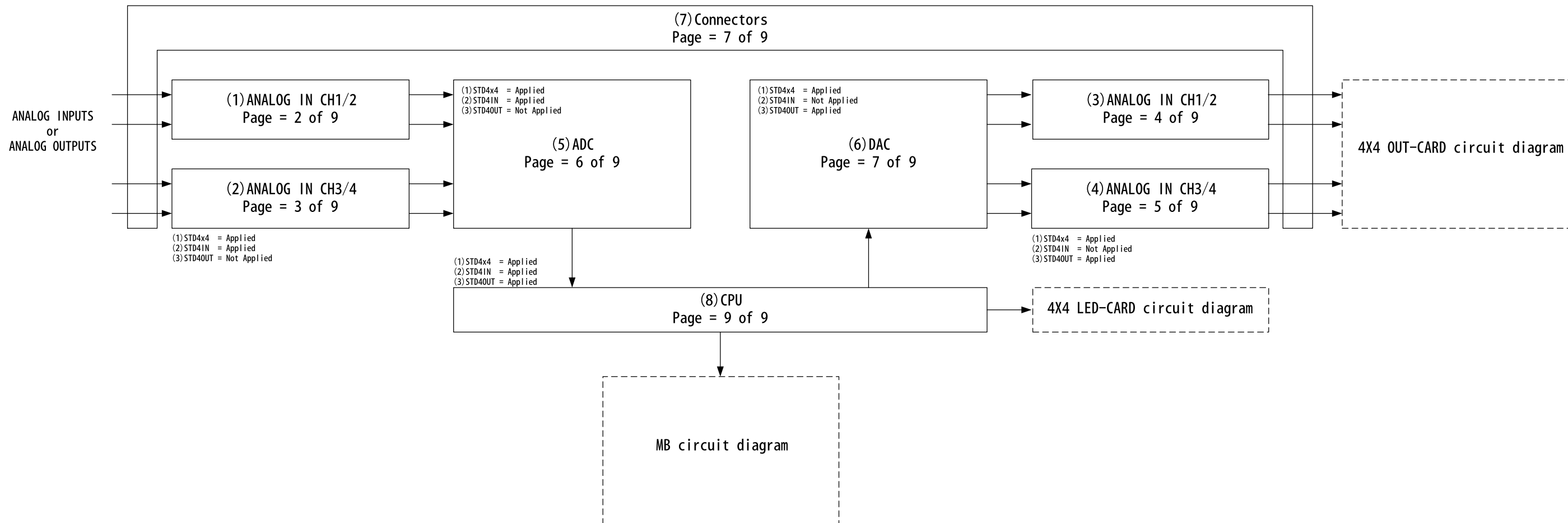
D

E

F

G

H

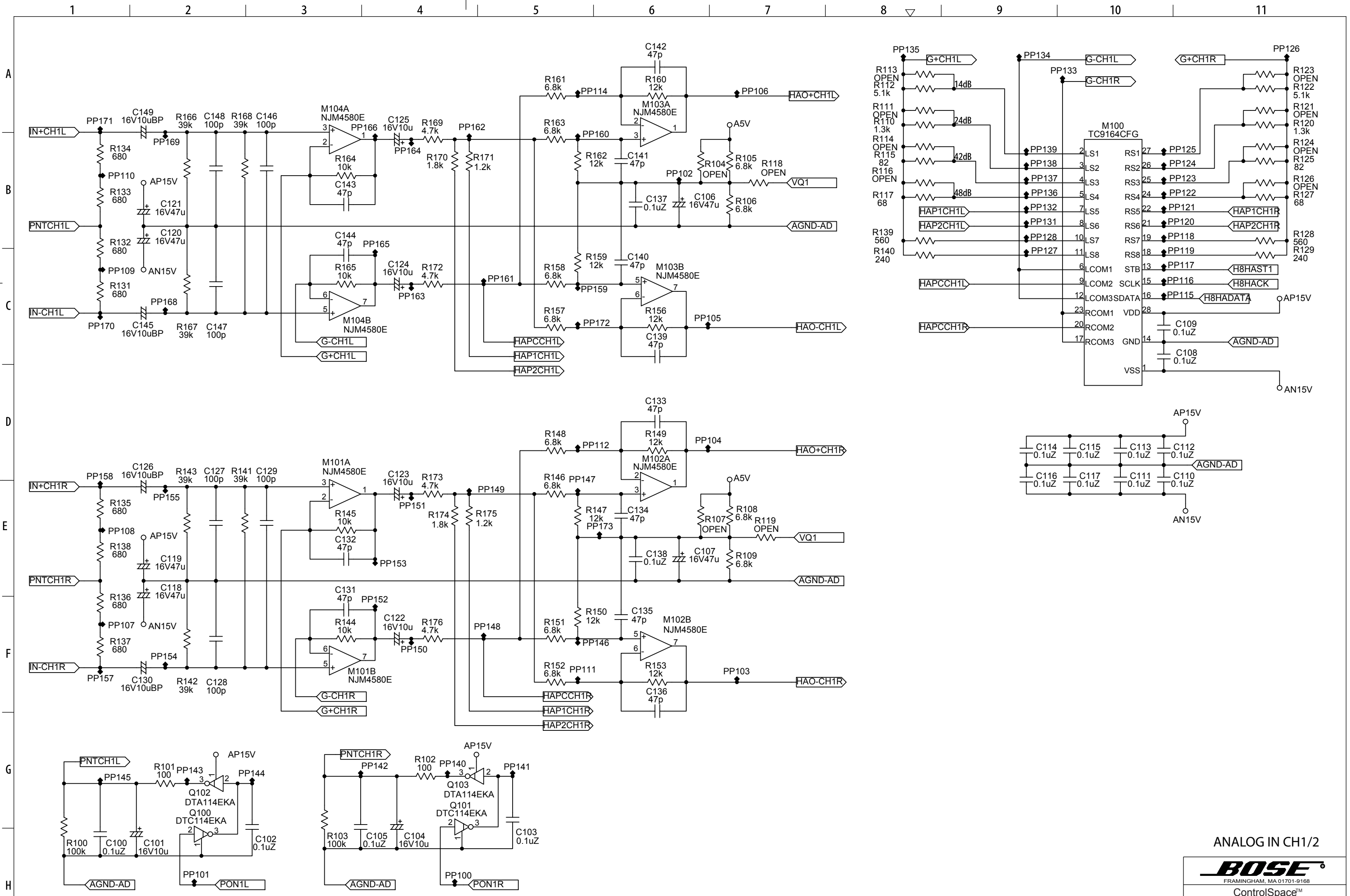


These schematics are common for the PCB assembly versions listed below.
 (1) STD4x4
 (2) STD41N
 (3) STD40UT
 These PCB assemblies share the same bare PCB.
 The PCB assembly versions are determined by the parts used.

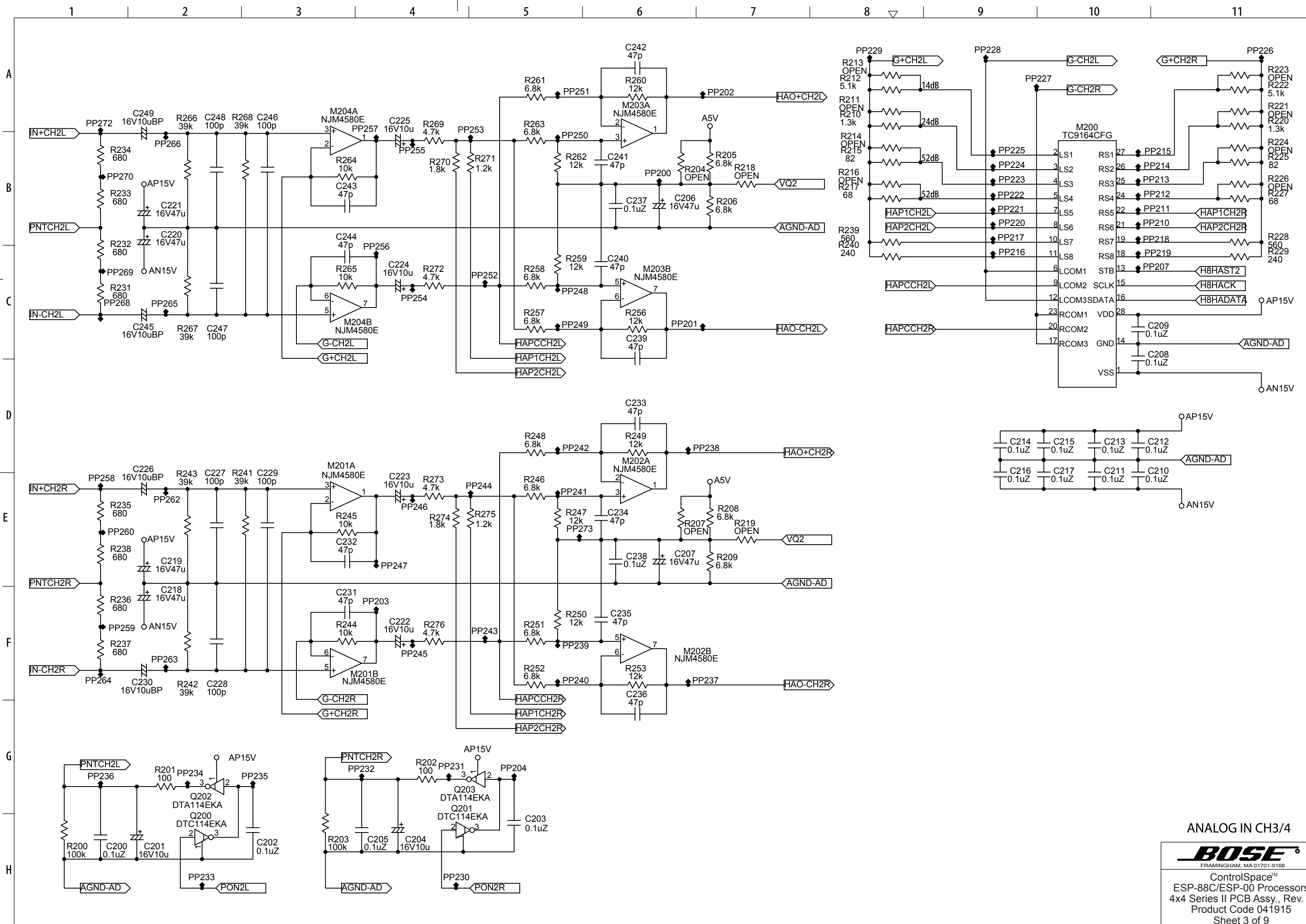
BLOCK DIAGRAM

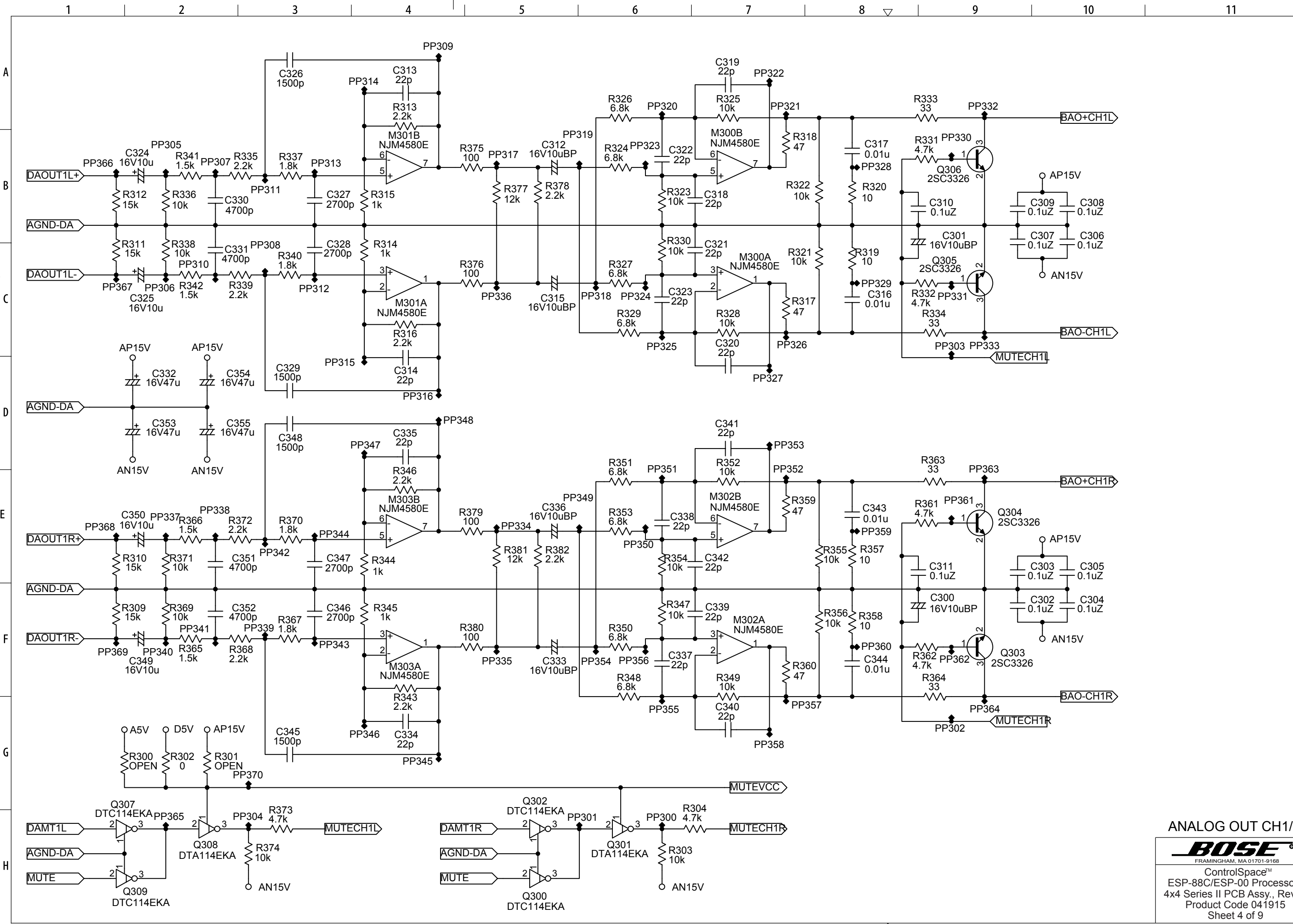


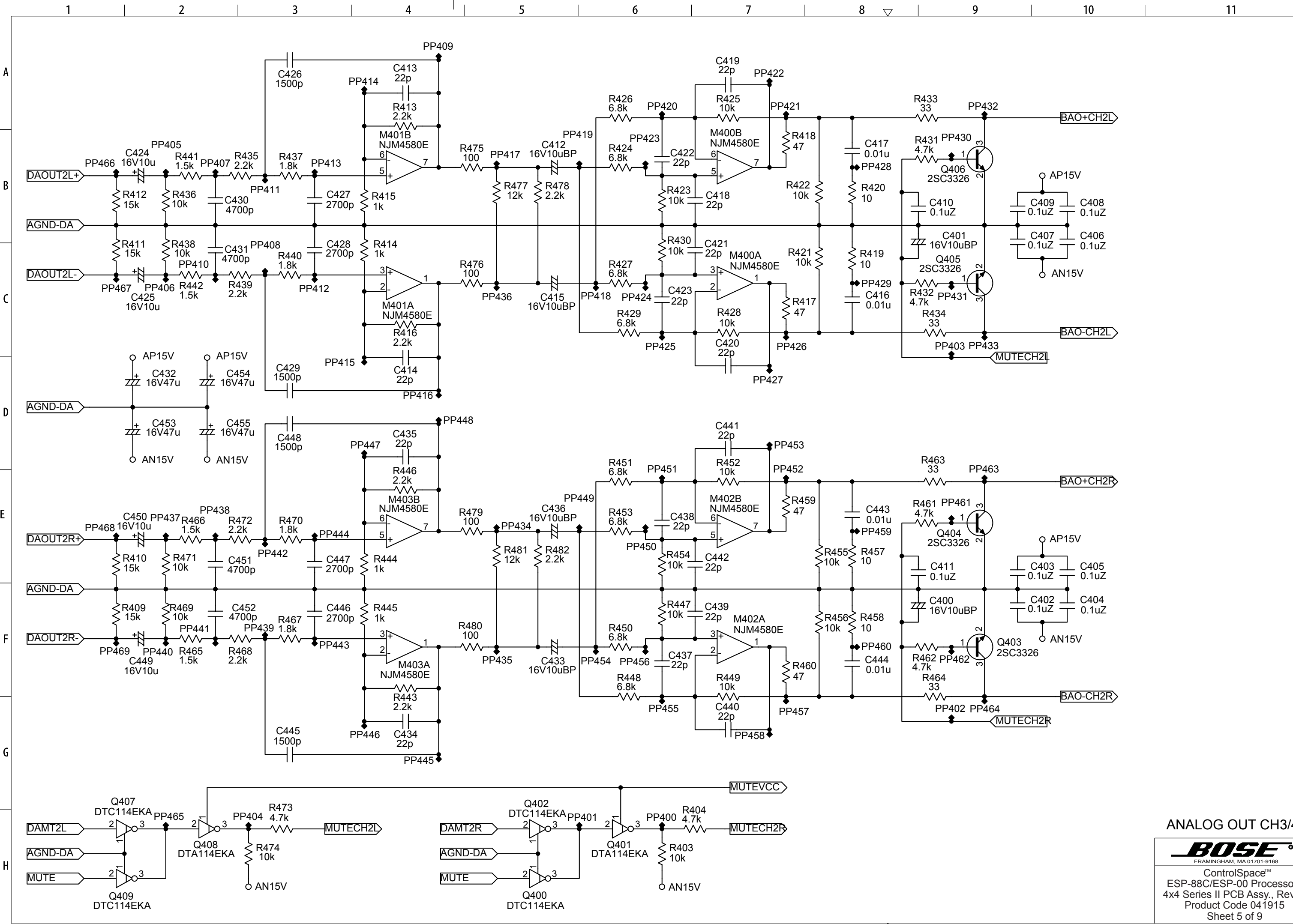
ControlSpace™
 ESP-88C/ESP-00 Processors
 4x4 Series II PCB Assy., Rev. A
 Product Code 041915
 Sheet 1 of 9



ANALOG IN CH1/2



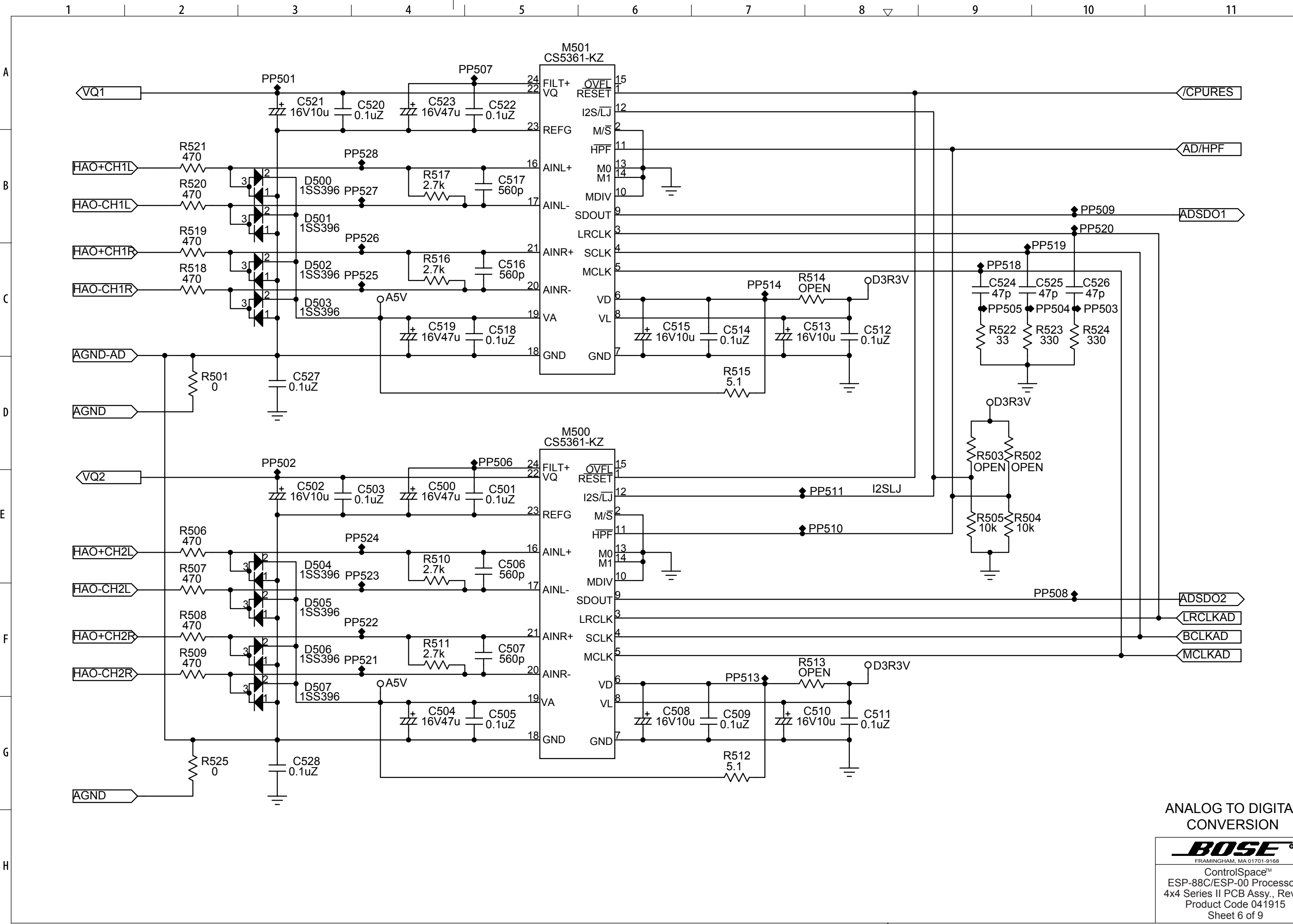




ANALOG OUT CH3/4

BOSE
FRAMINGHAM, MA 01701-9168

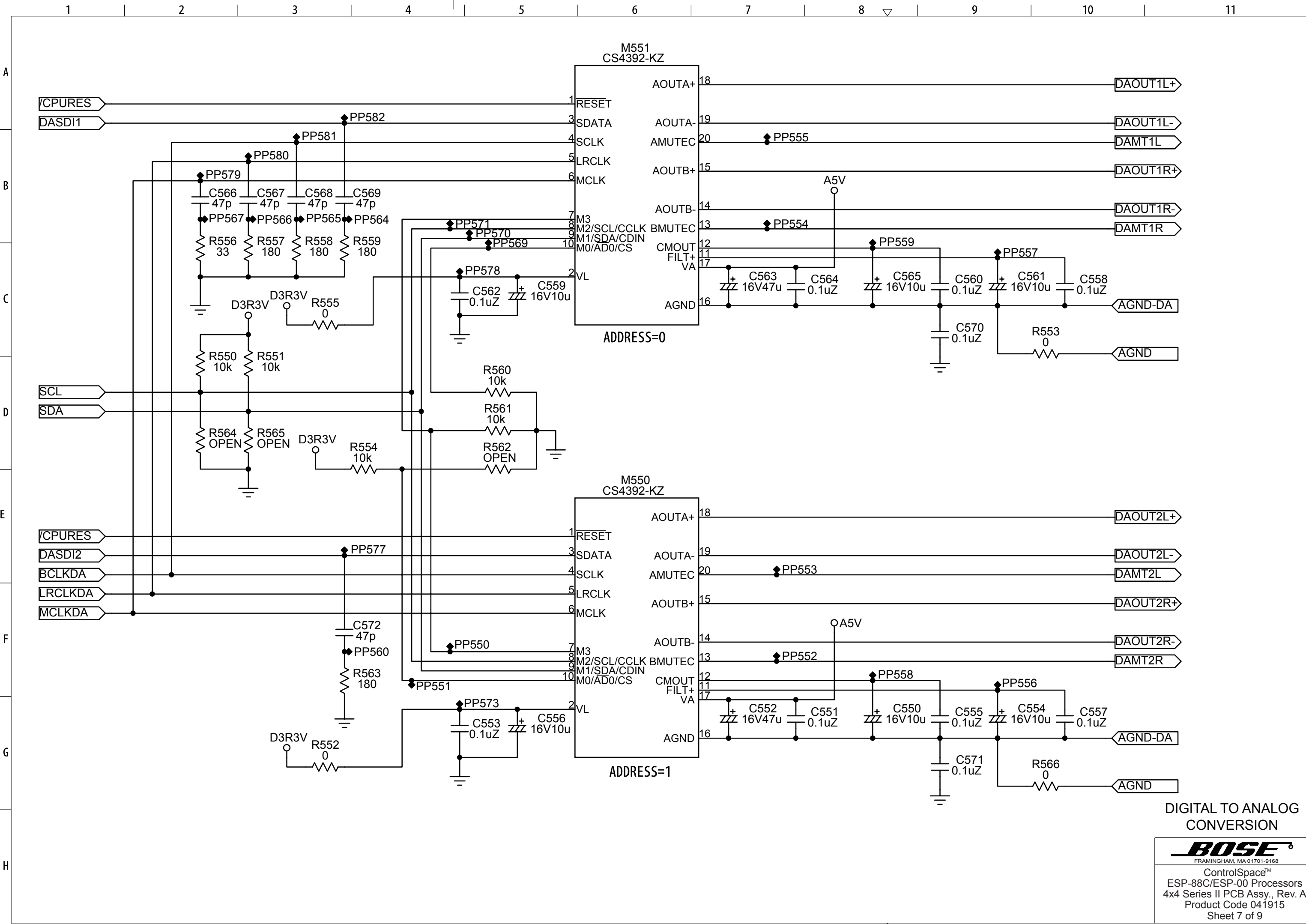
ControlSpace™
 ESP-88C/ESP-00 Processors
 4x4 Series II PCB Assy., Rev. A
 Product Code 041915
 Sheet 5 of 9



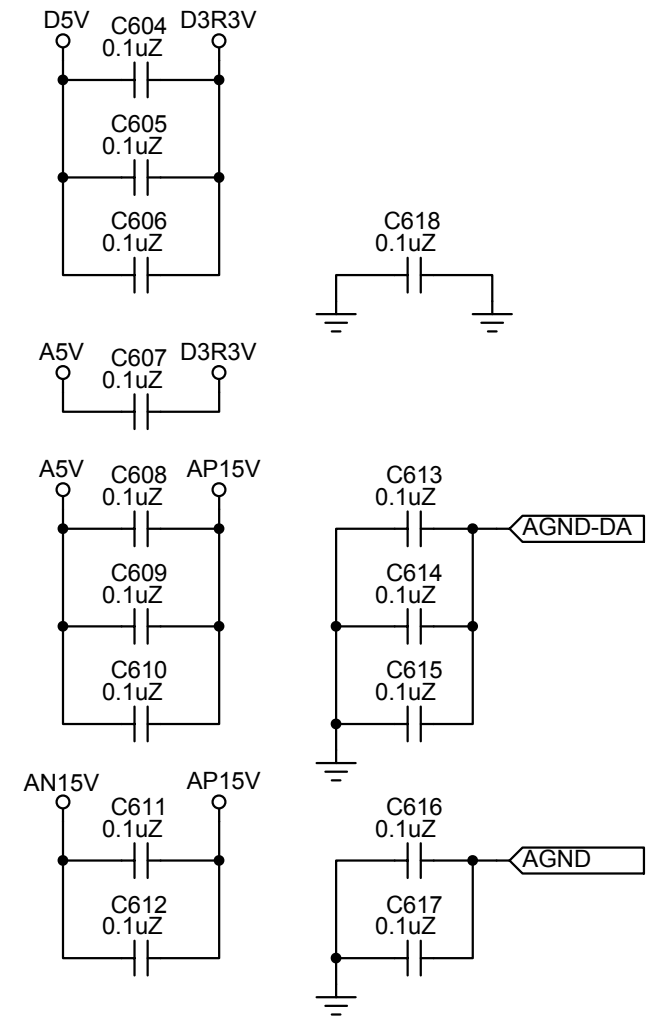
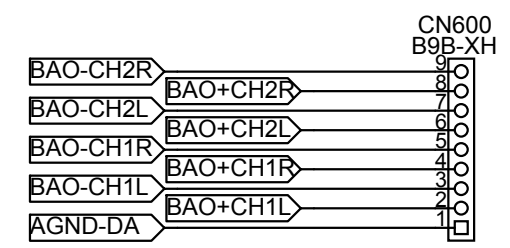
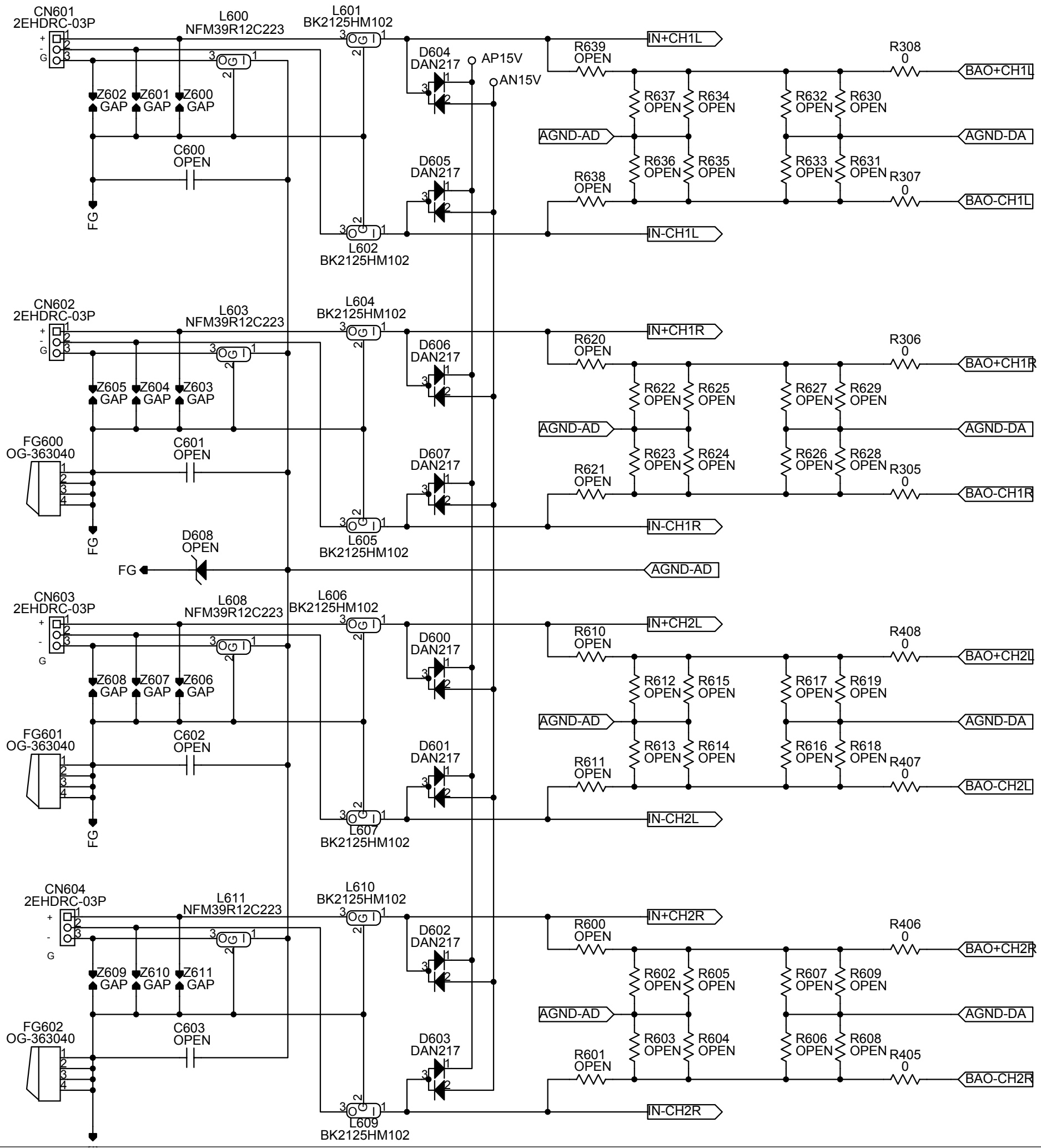
ANALOG TO DIGITAL
CONVERSION



ControlSpace™
ESP-88C/ESP-00 Processors
4x4 Series II PCB Assy., Rev. A
Product Code 041915
Sheet 6 of 9



DIGITAL TO ANALOG
CONVERSION



CONNECTORS



ControlSpace™
ESP-88C/ESP-00 Processors
4x4 Series II PCB Assy., Rev. A
Product Code 041915
Sheet 8 of 9

