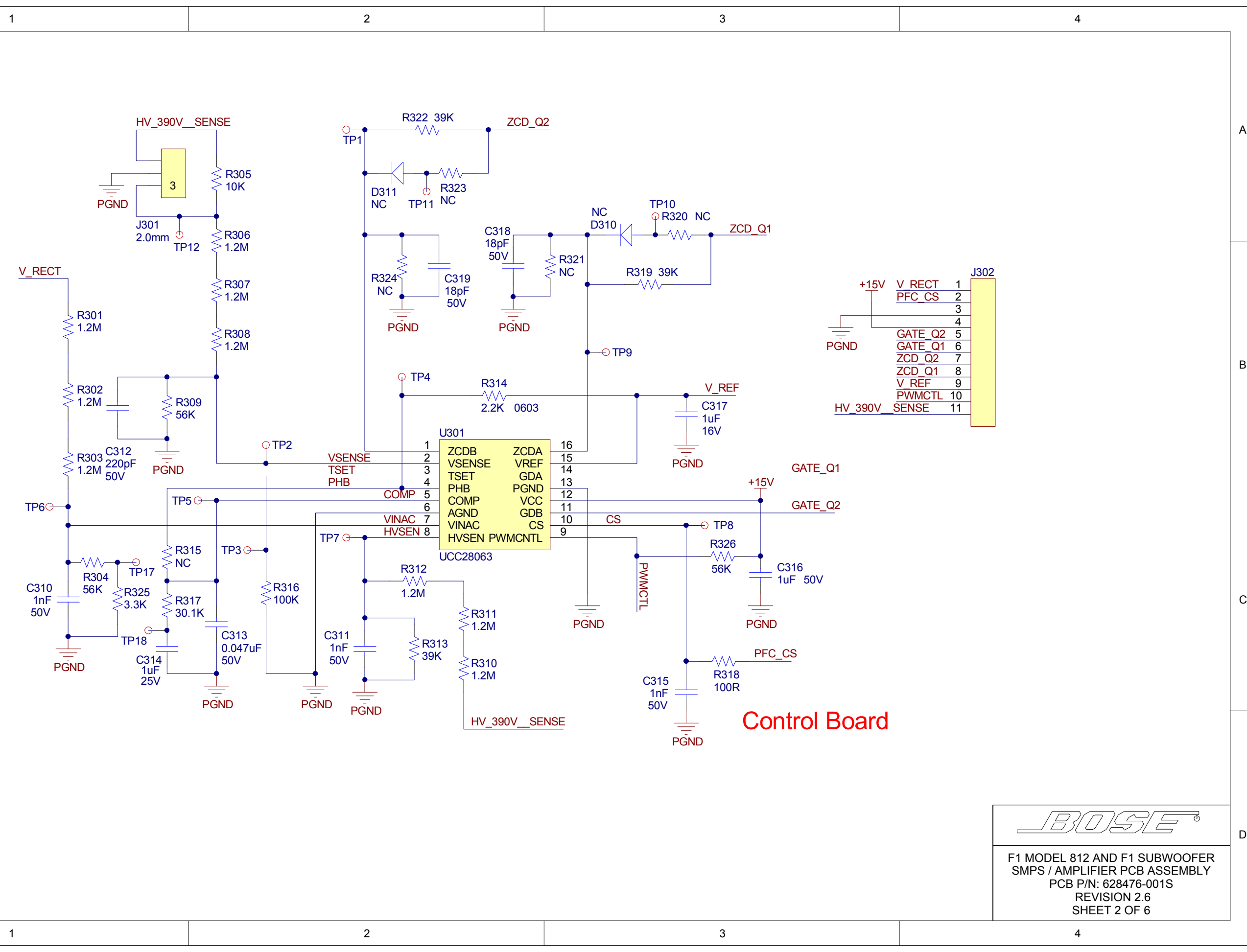
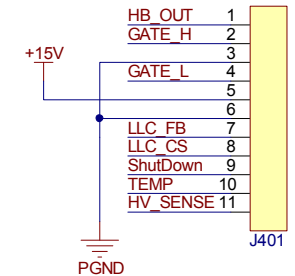
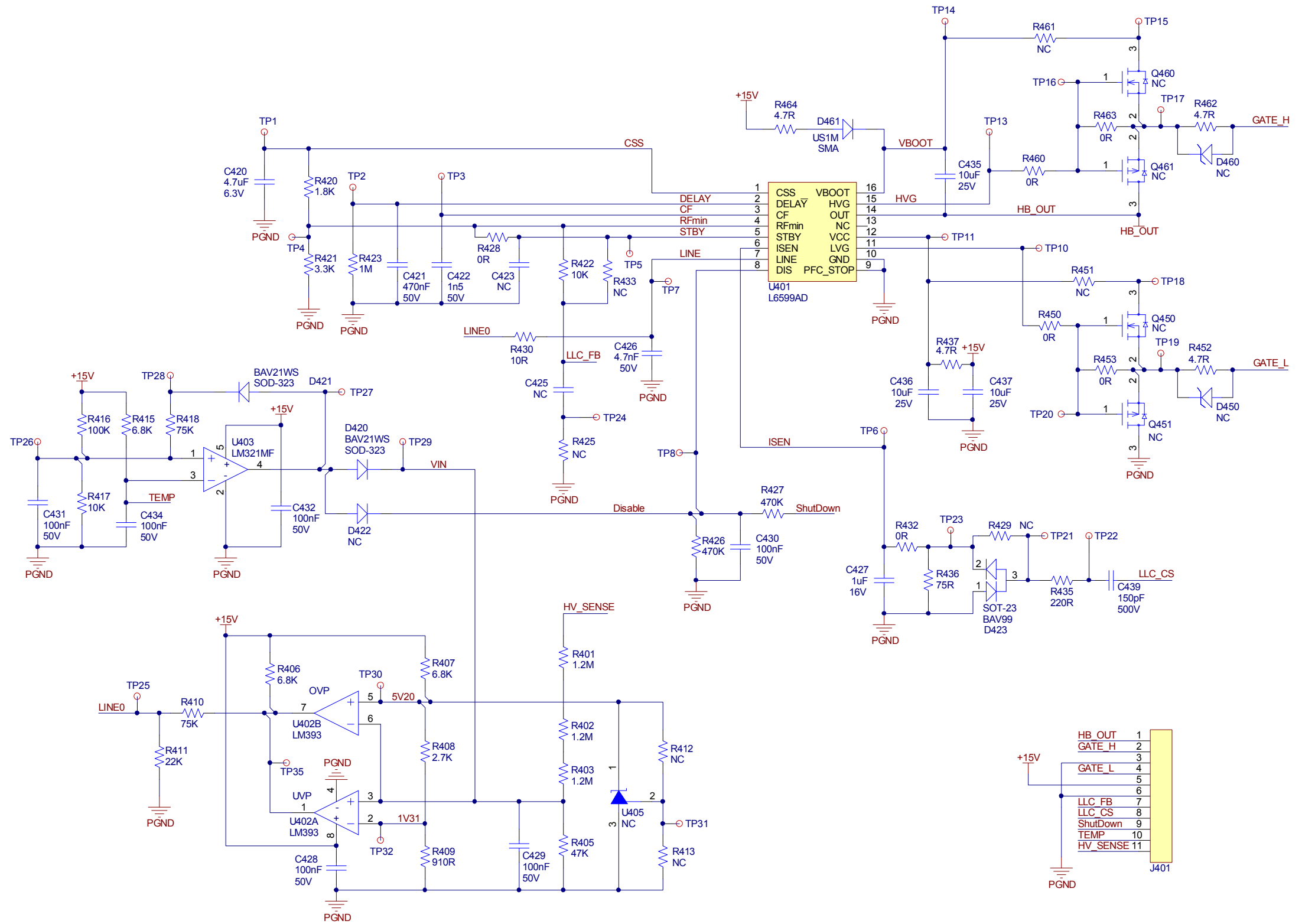
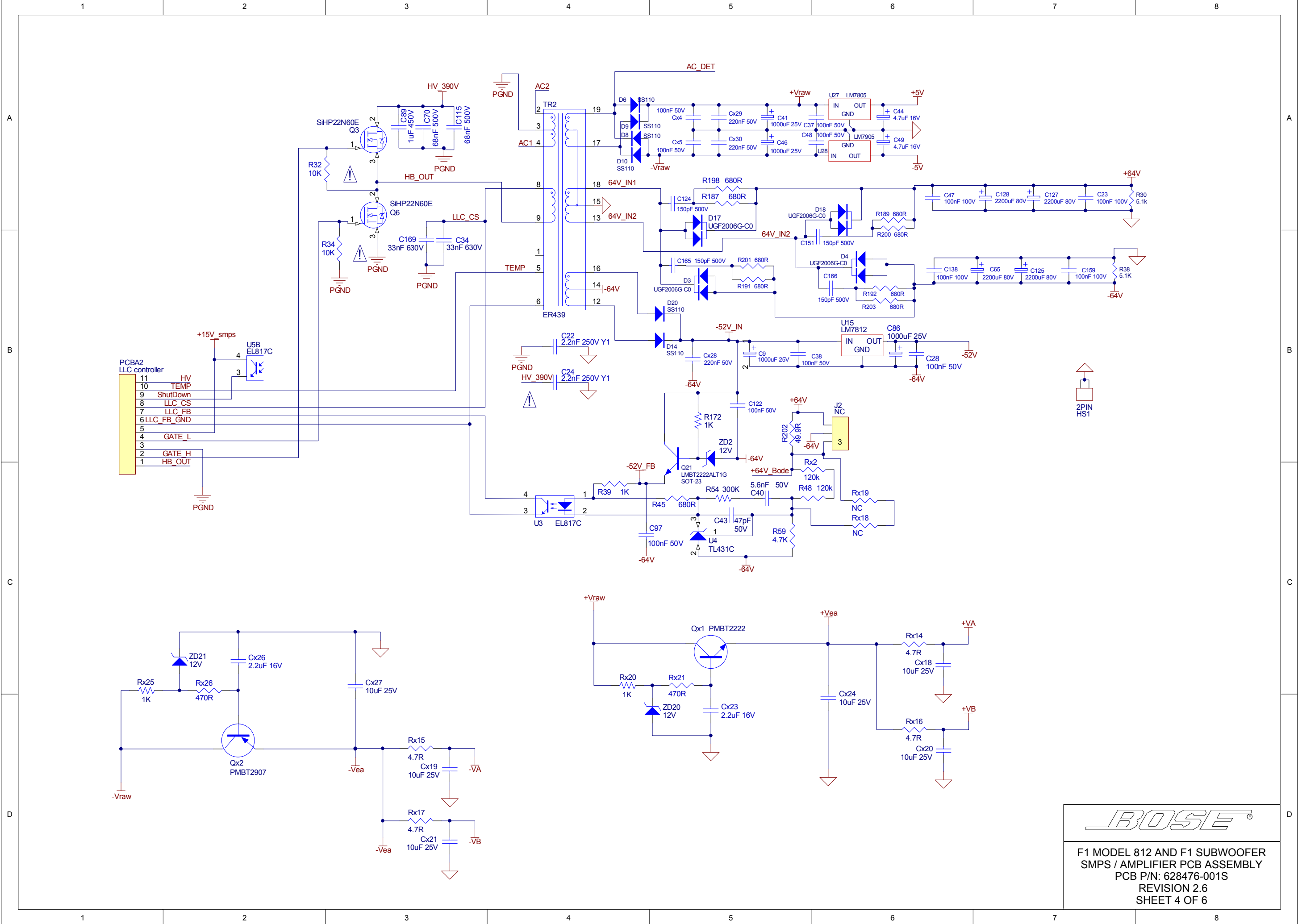


PCBA1

11	HV_390V
10	PWMCTL
9	V_REF
8	ZCD_Q1
7	ZCD_Q2
6	GATE_Q1
5	GATE_Q2
4	
3	
2	PFC_CS
1	V_RECT





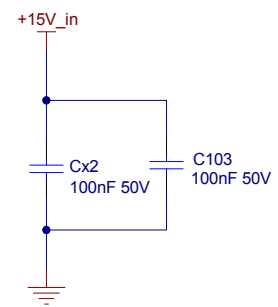
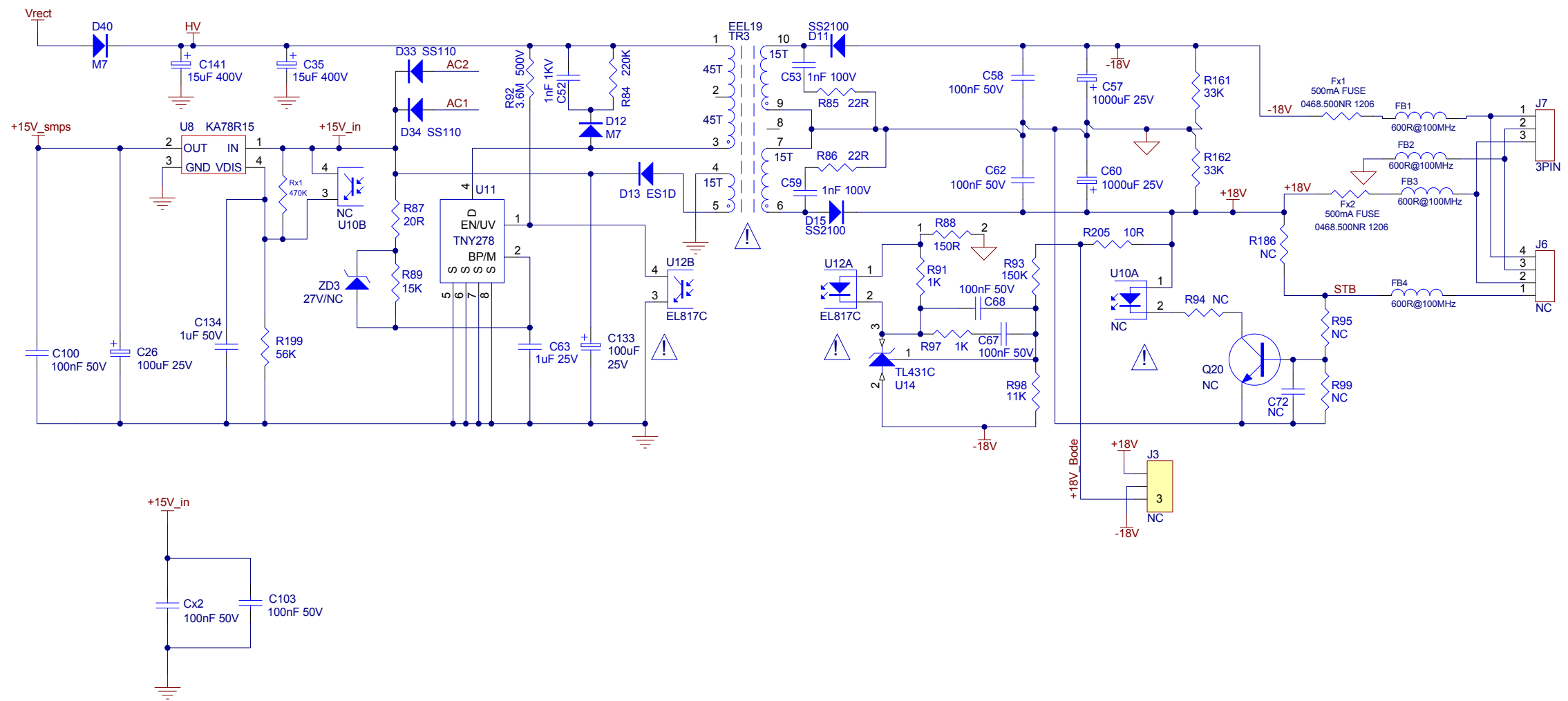


PCBA2
LLC controller

11	HV
10	TEMP
9	ShutDown
8	LLC_CS
7	LLC_FB
6	LLC_FB_GND
5	
4	GATE_L
3	GATE_H
2	GATE_H
1	HB_OUT

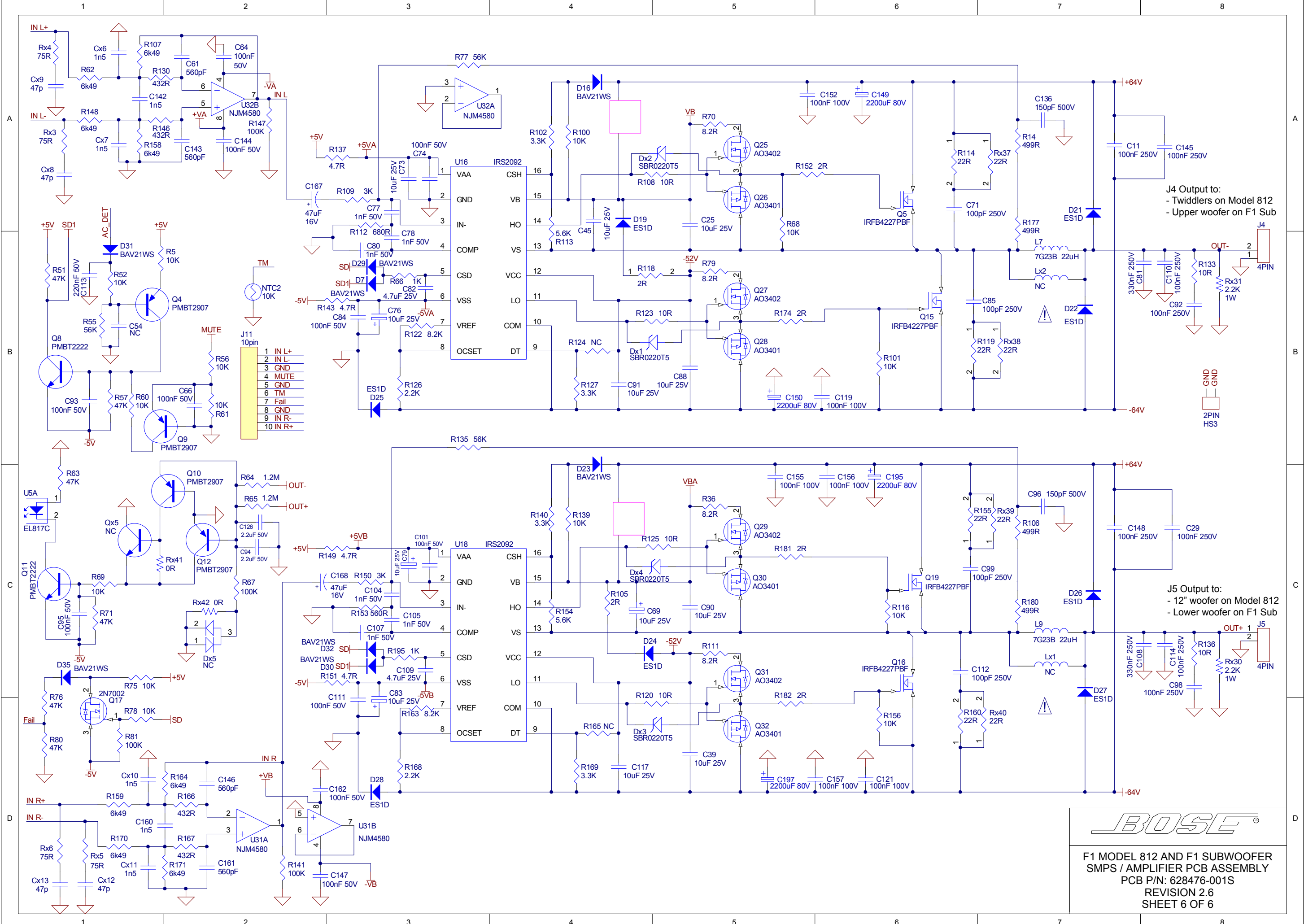
BOSE[®]

F1 MODEL 812 AND F1 SUBWOOFER
SMPS / AMPLIFIER PCB ASSEMBLY
PCB P/N: 628476-001S
REVISION 2.6
SHEET 4 OF 6



BOSE

F1 MODEL 812 AND F1 SUBWOOFER
 SMPS / AMPLIFIER PCB ASSEMBLY
 PCB P/N: 628476-001S
 REVISION 2.6
 SHEET 5 OF 6



J4 Output to:
 - Twiddlers on Model 812
 - Upper woofer on F1 Sub

J5 Output to:
 - 12" woofer on Model 812
 - Lower woofer on F1 Sub



F1 MODEL 812 AND F1 SUBWOOFER
 SMPS / AMPLIFIER PCB ASSEMBLY
 PCB P/N: 628476-001S
 REVISION 2.6
 SHEET 6 OF 6