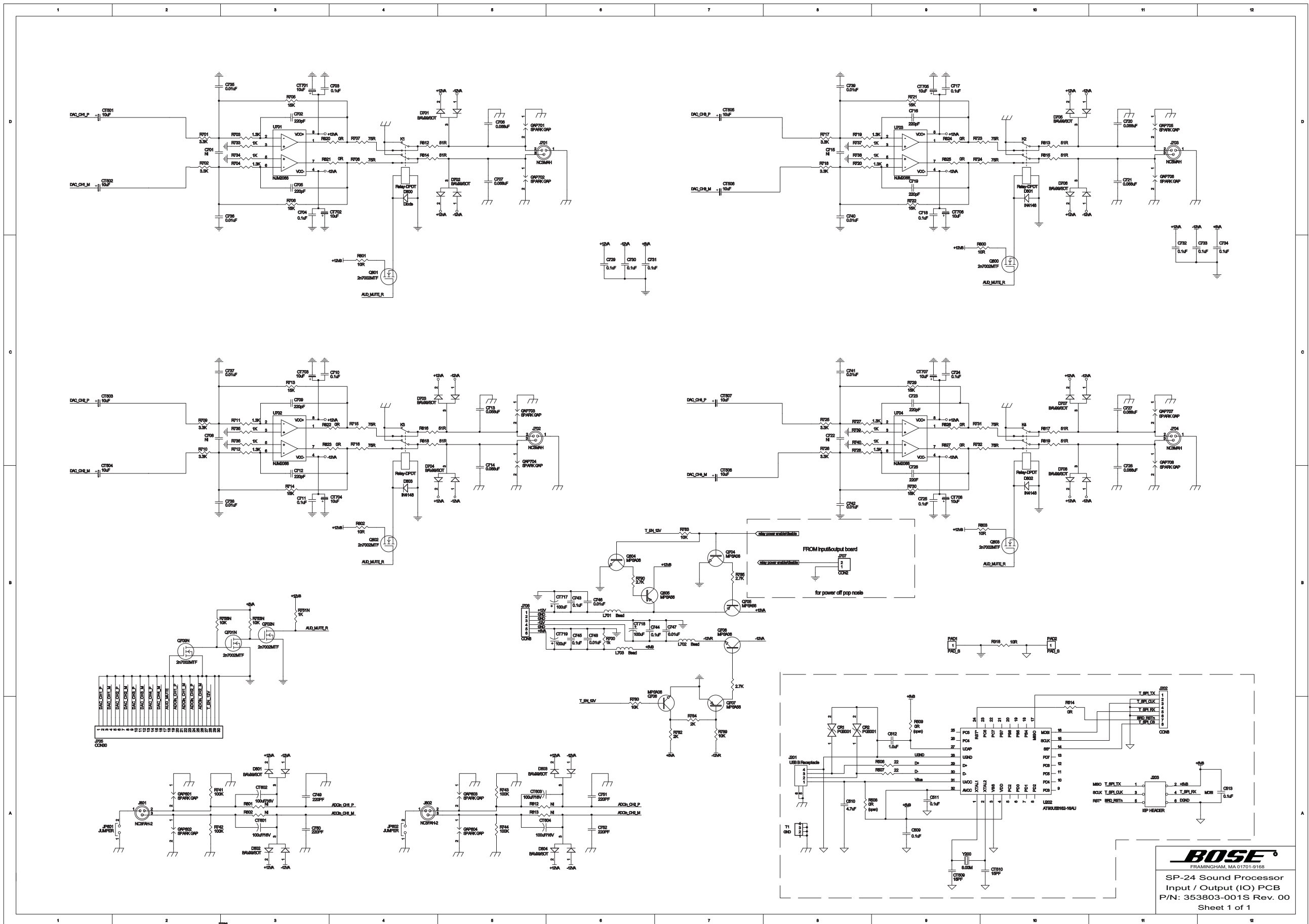
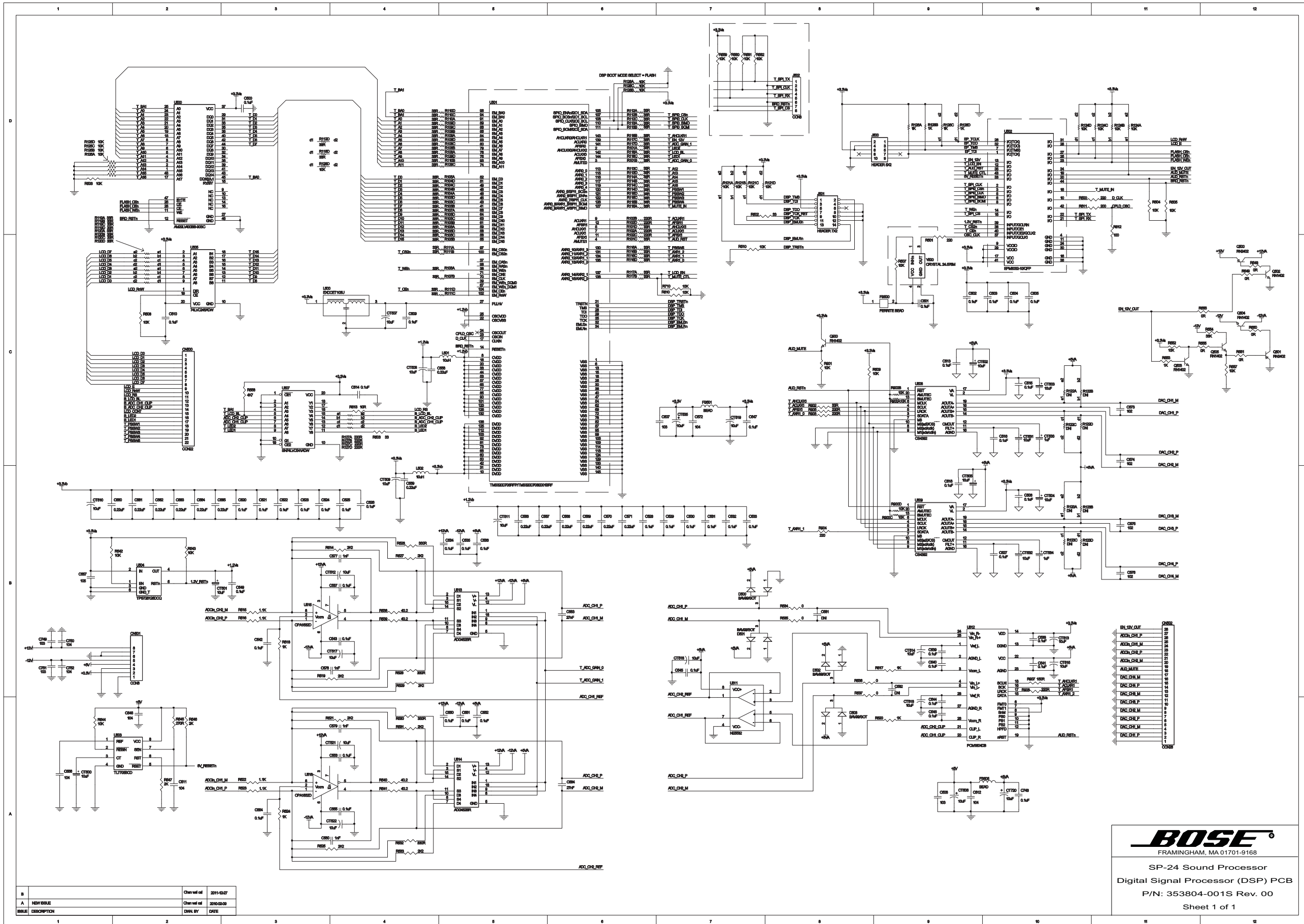


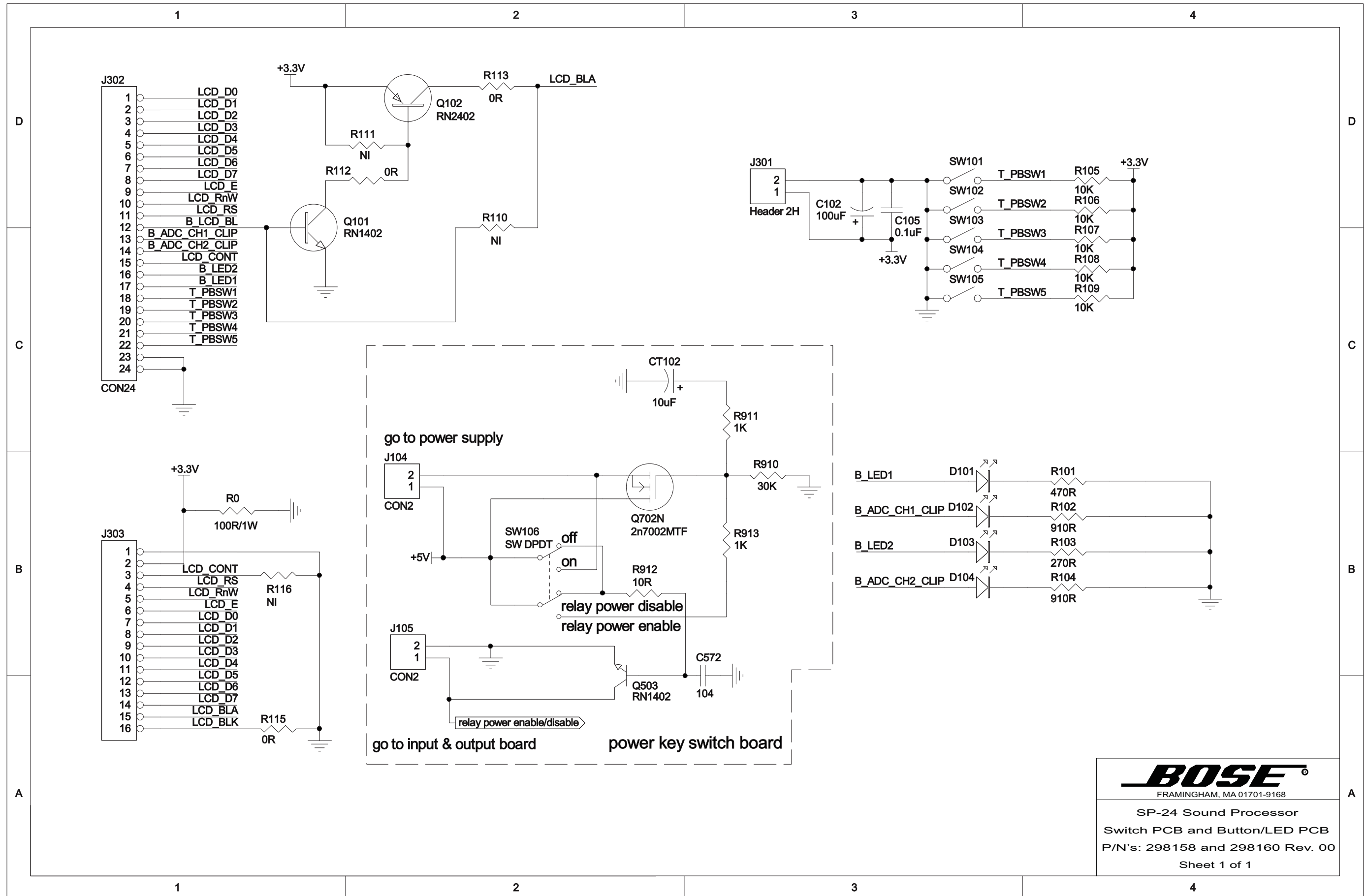
BOSE
 FRAMINGHAM, MA 01701-9168

SP-24 Sound Processor
 Switch Mode Power Supply PCB
 P/N: 298155 Rev. 1.2
 Sheet 1 of 1





BOSE
FRAMINGHAM, MA 01701-9168
SP-24 Sound Processor
Digital Signal Processor (DSP) PCB
P/N: 353804-001S Rev. 00
Sheet 1 of 1



BOSE
FRAMINGHAM, MA 01701-9168

SP-24 Sound Processor
Switch PCB and Button/LED PCB
P/N's: 298158 and 298160 Rev. 00
Sheet 1 of 1