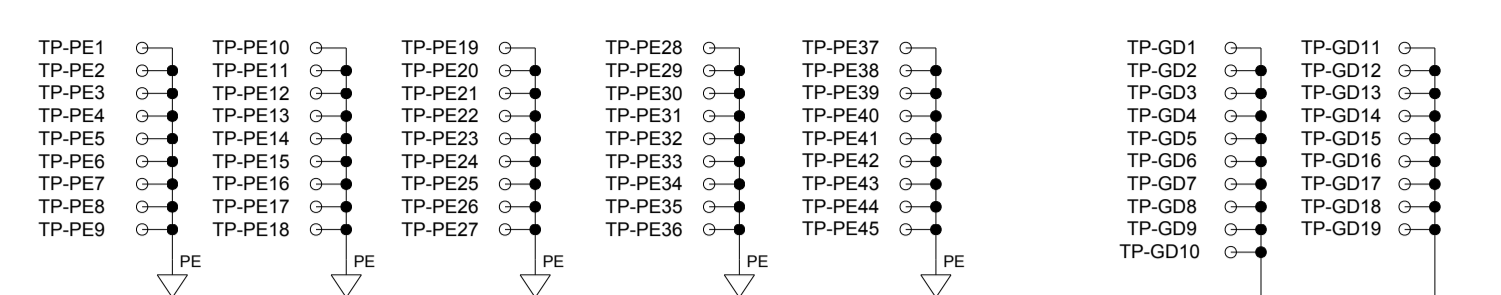
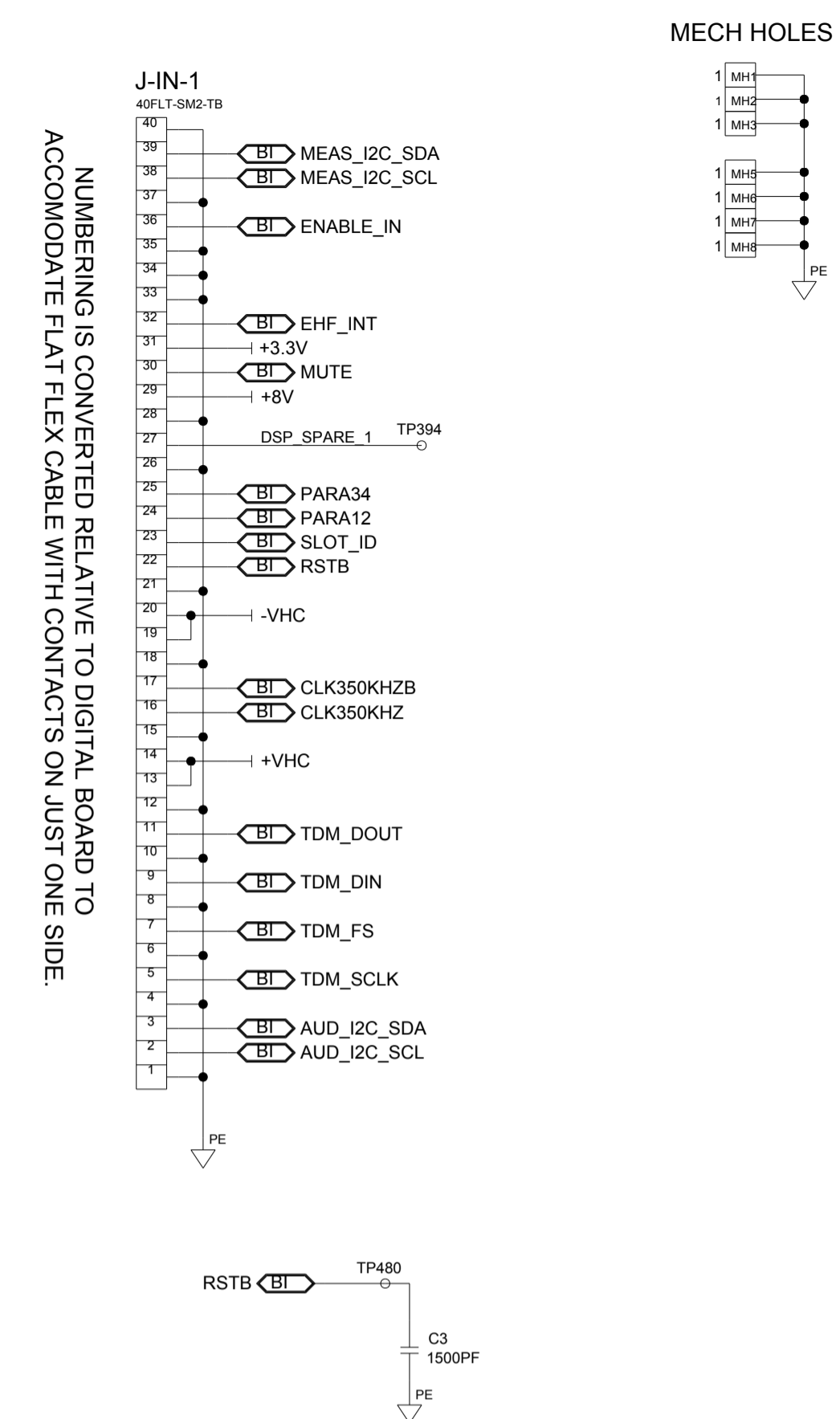
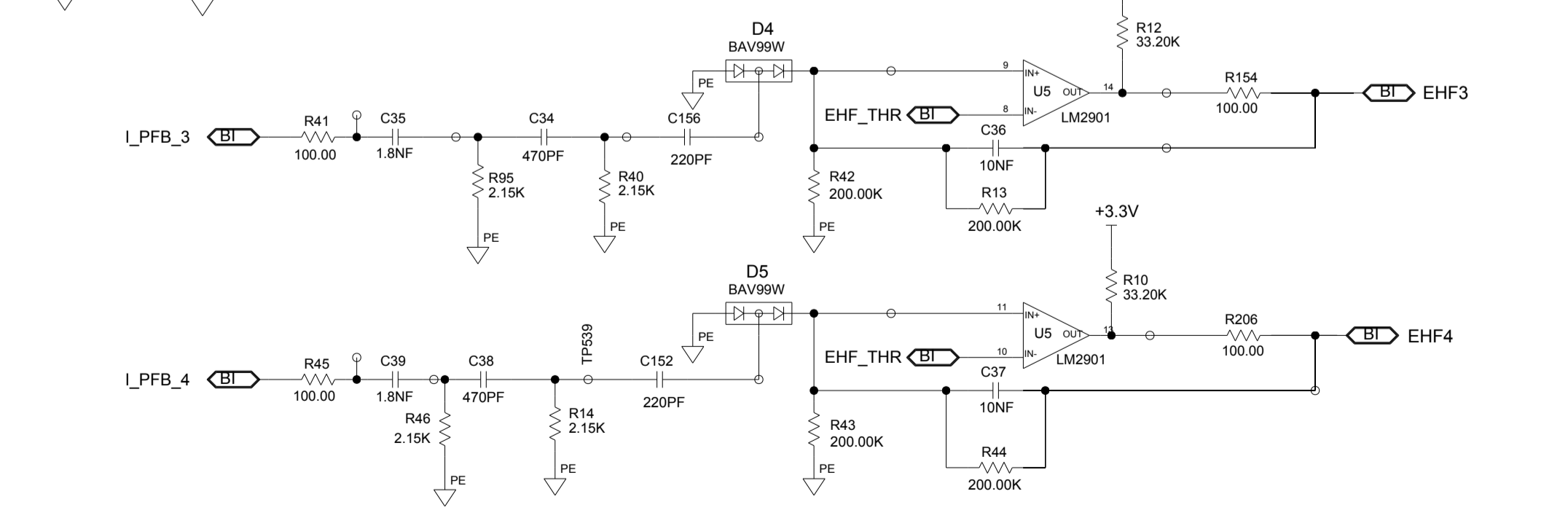
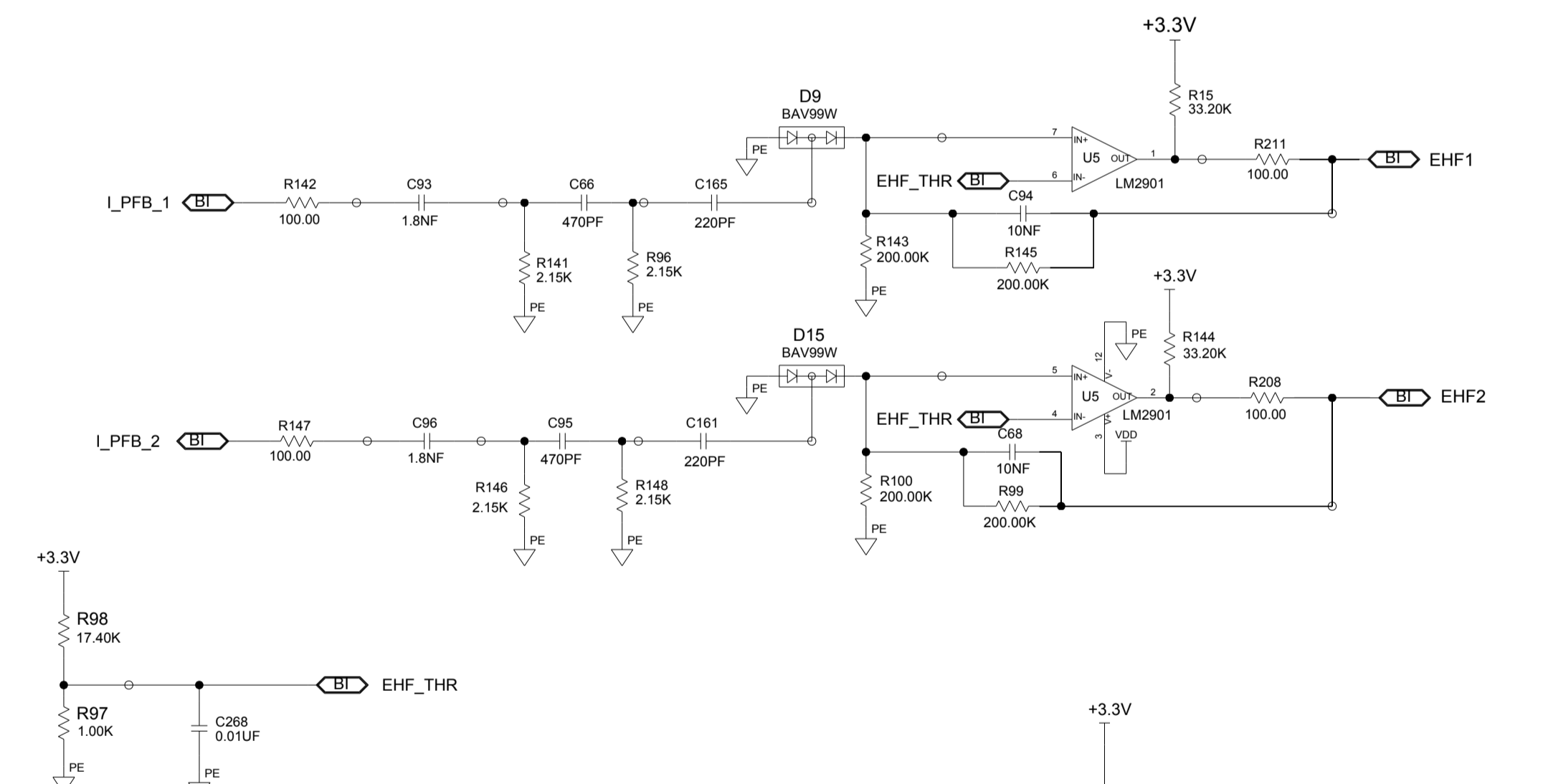
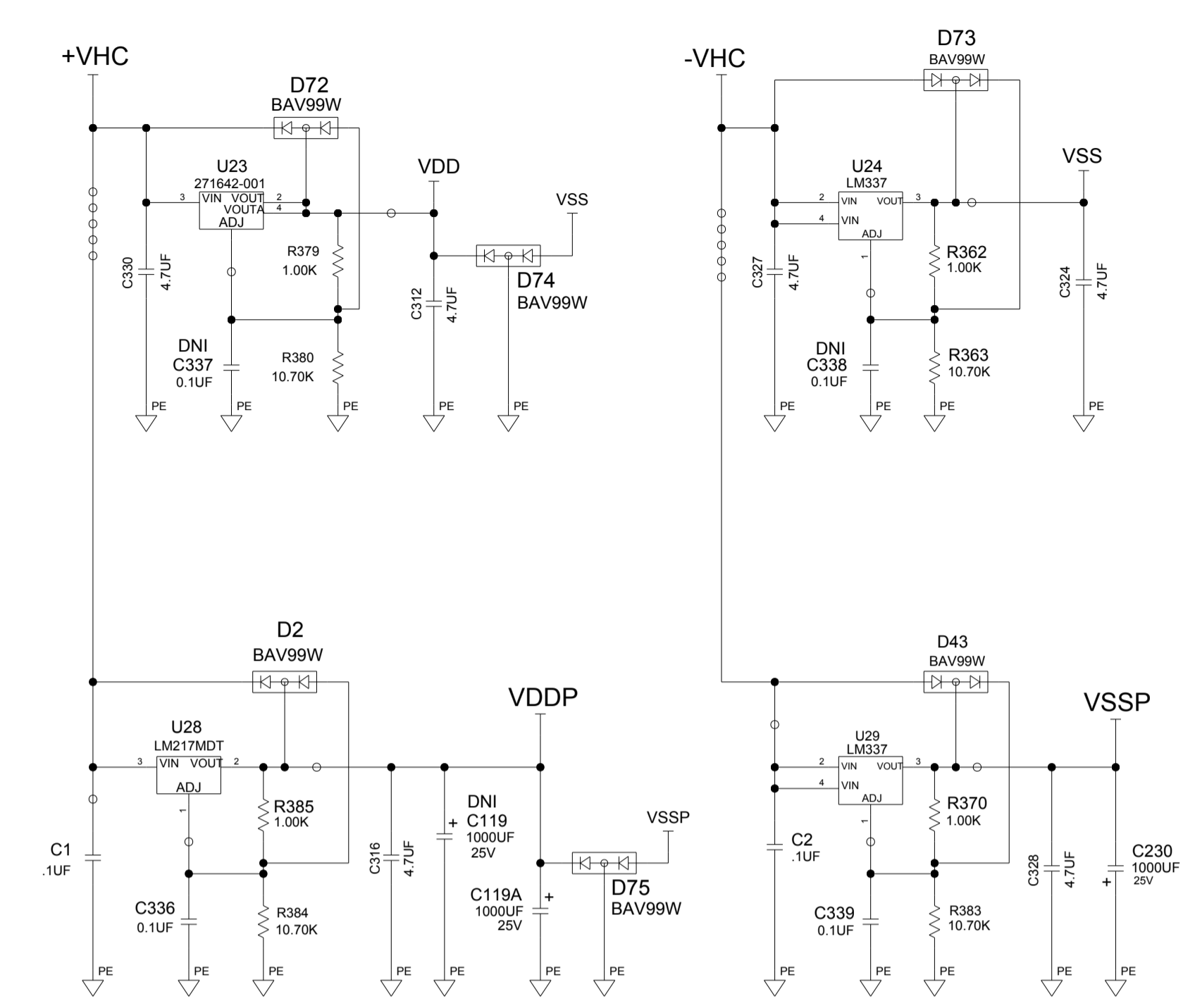
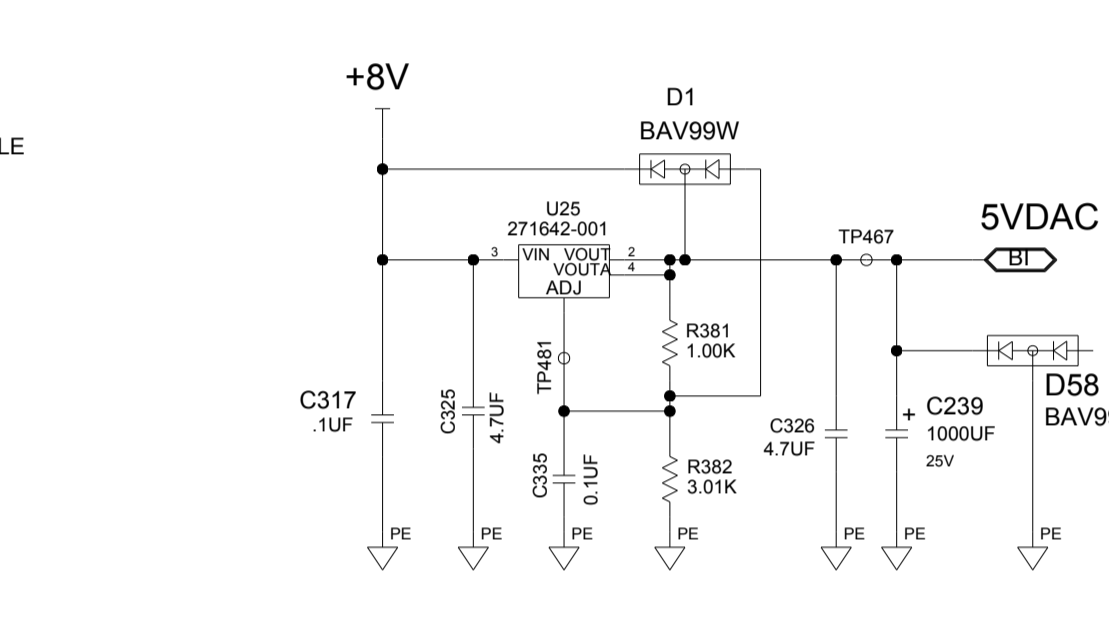
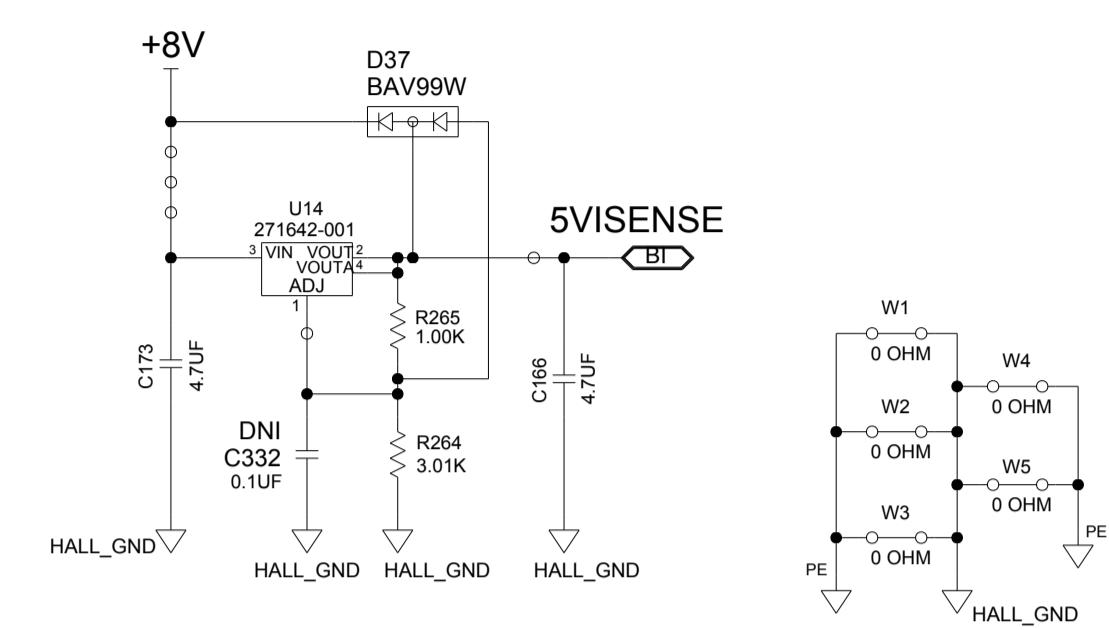
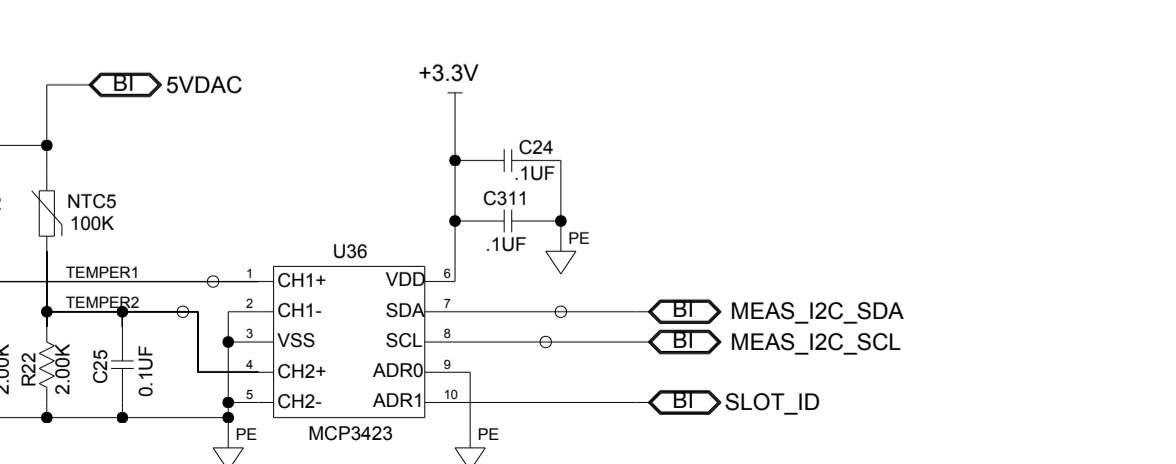
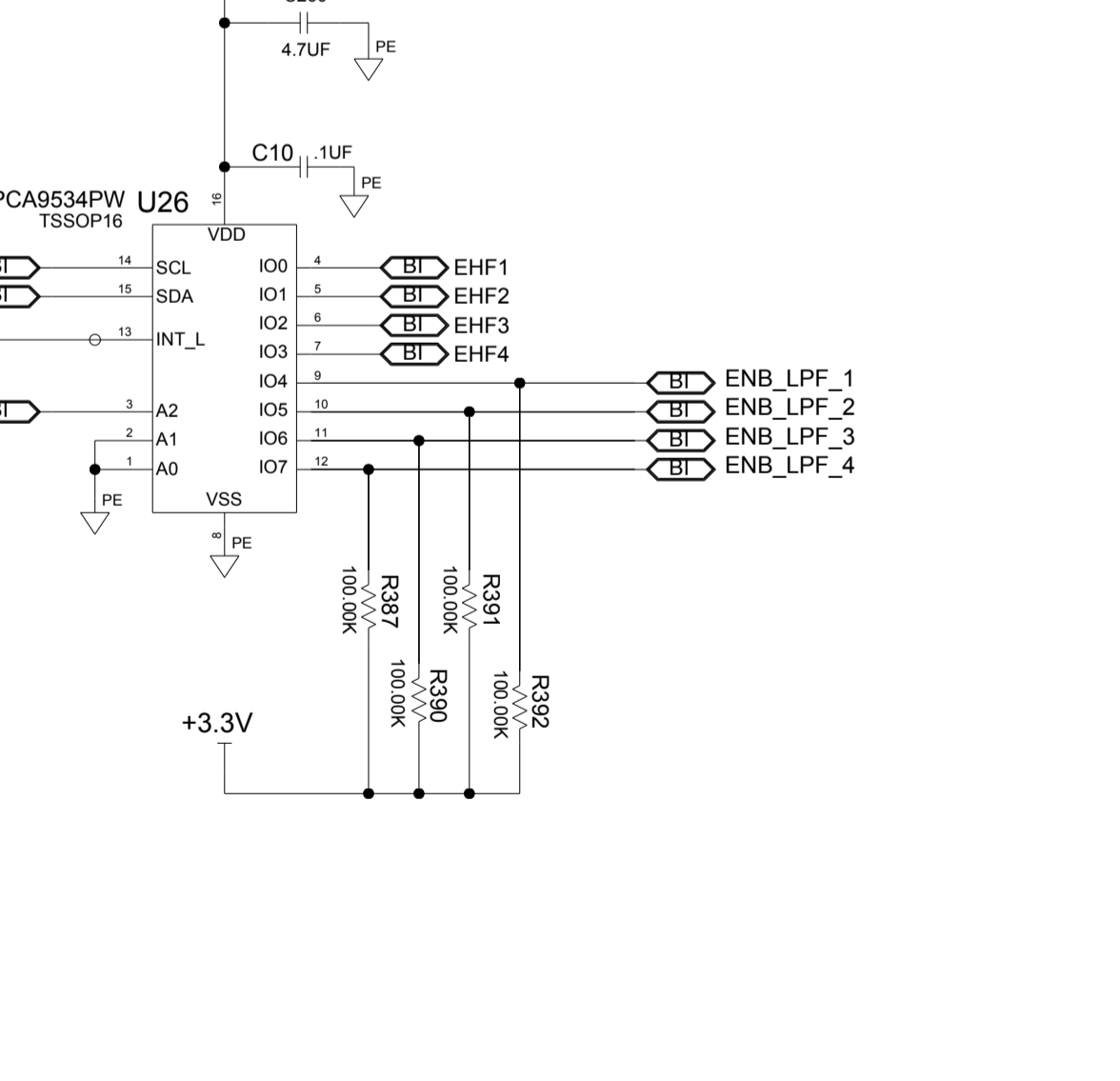
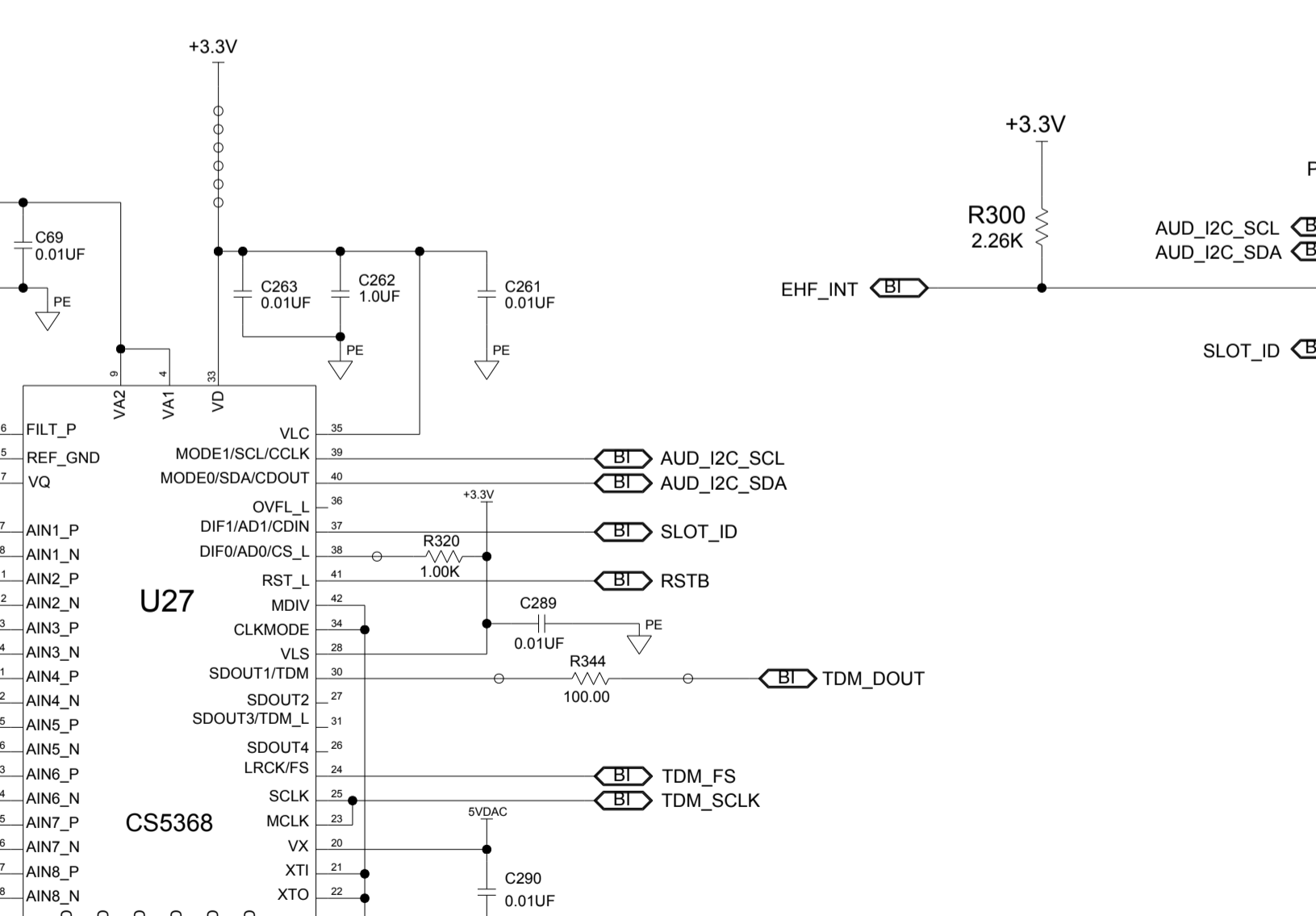
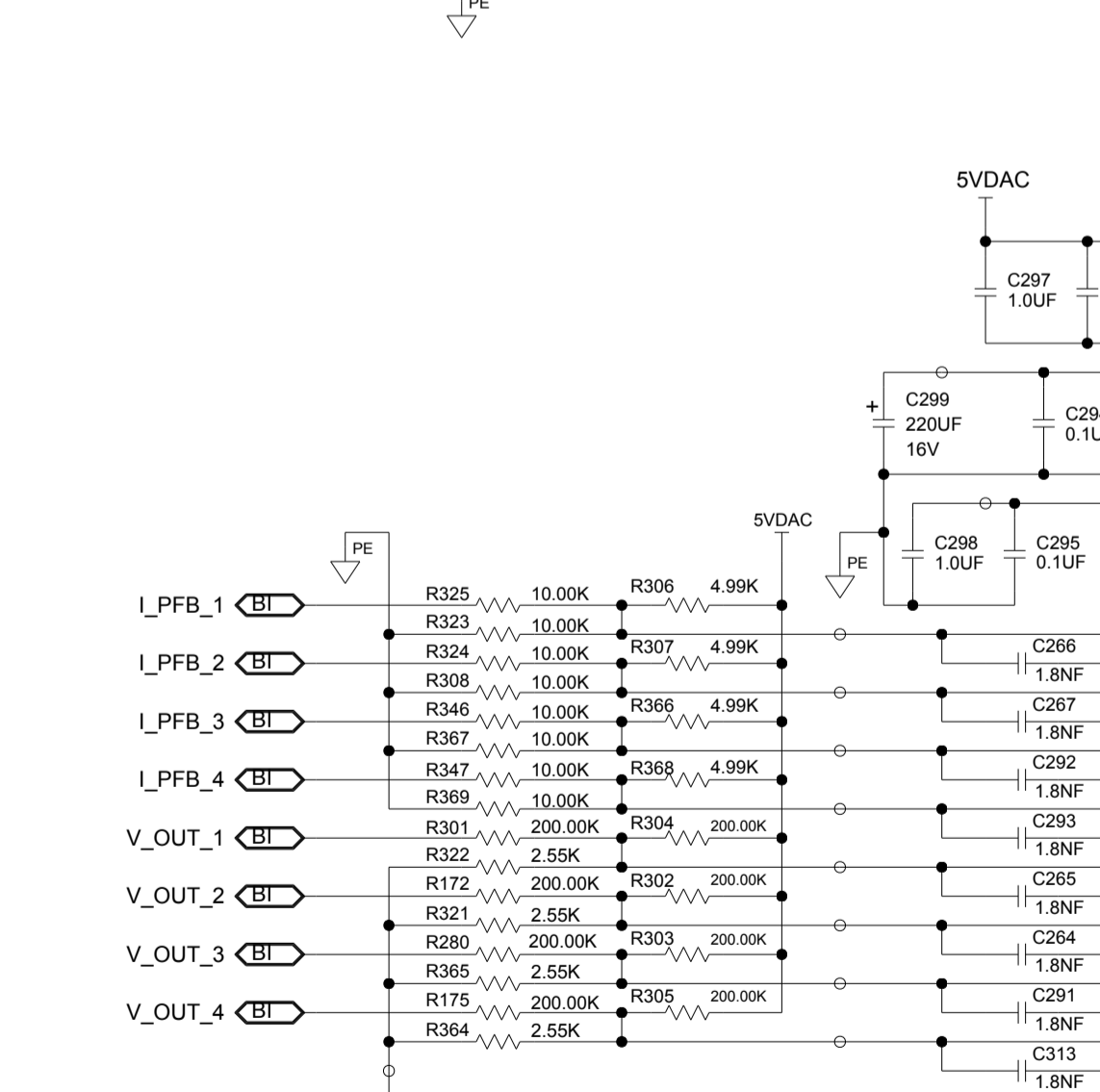
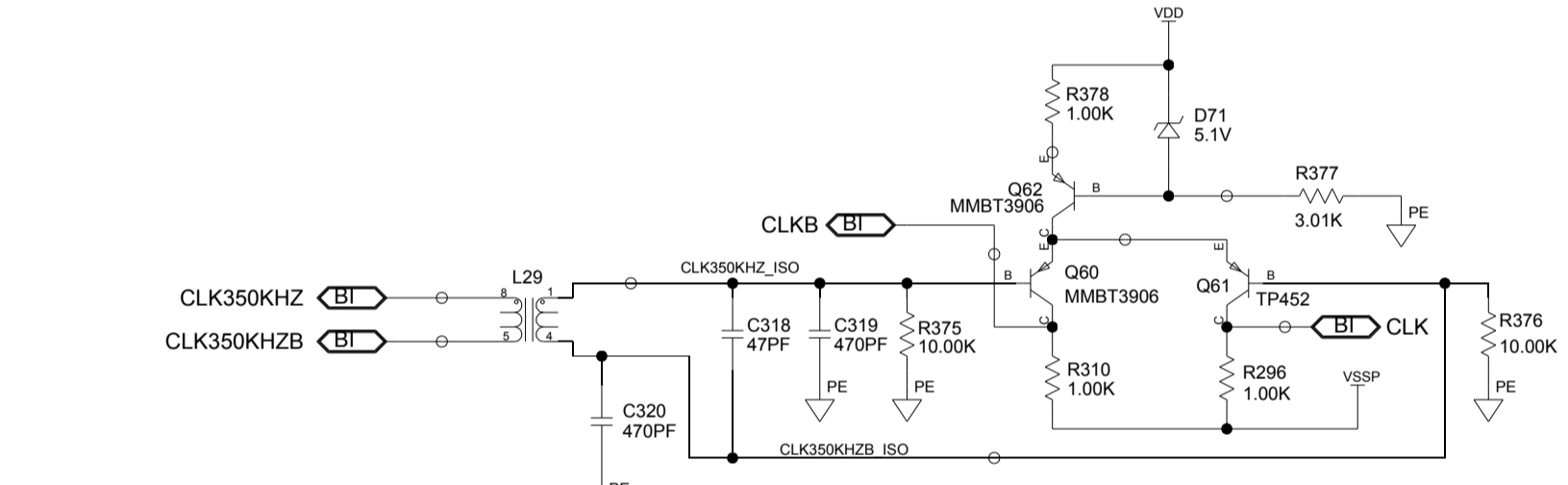
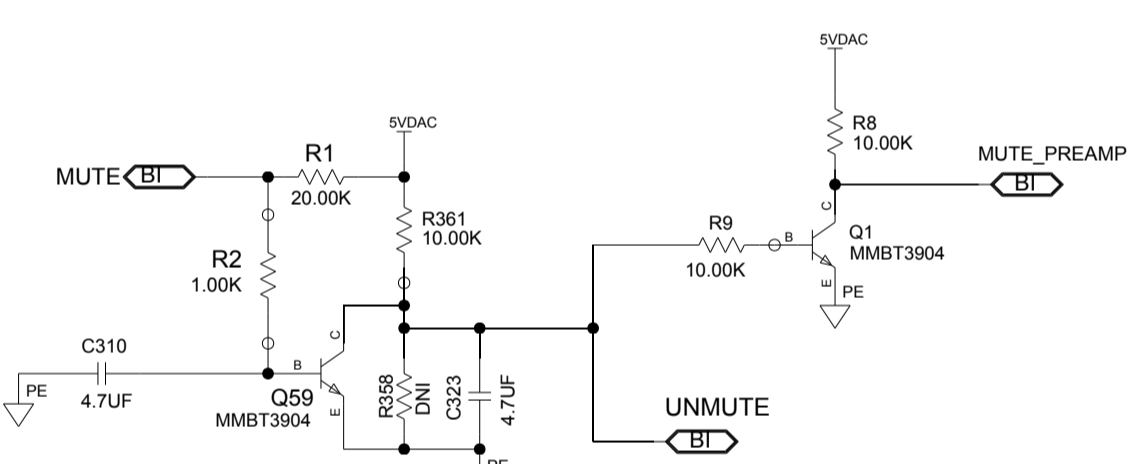
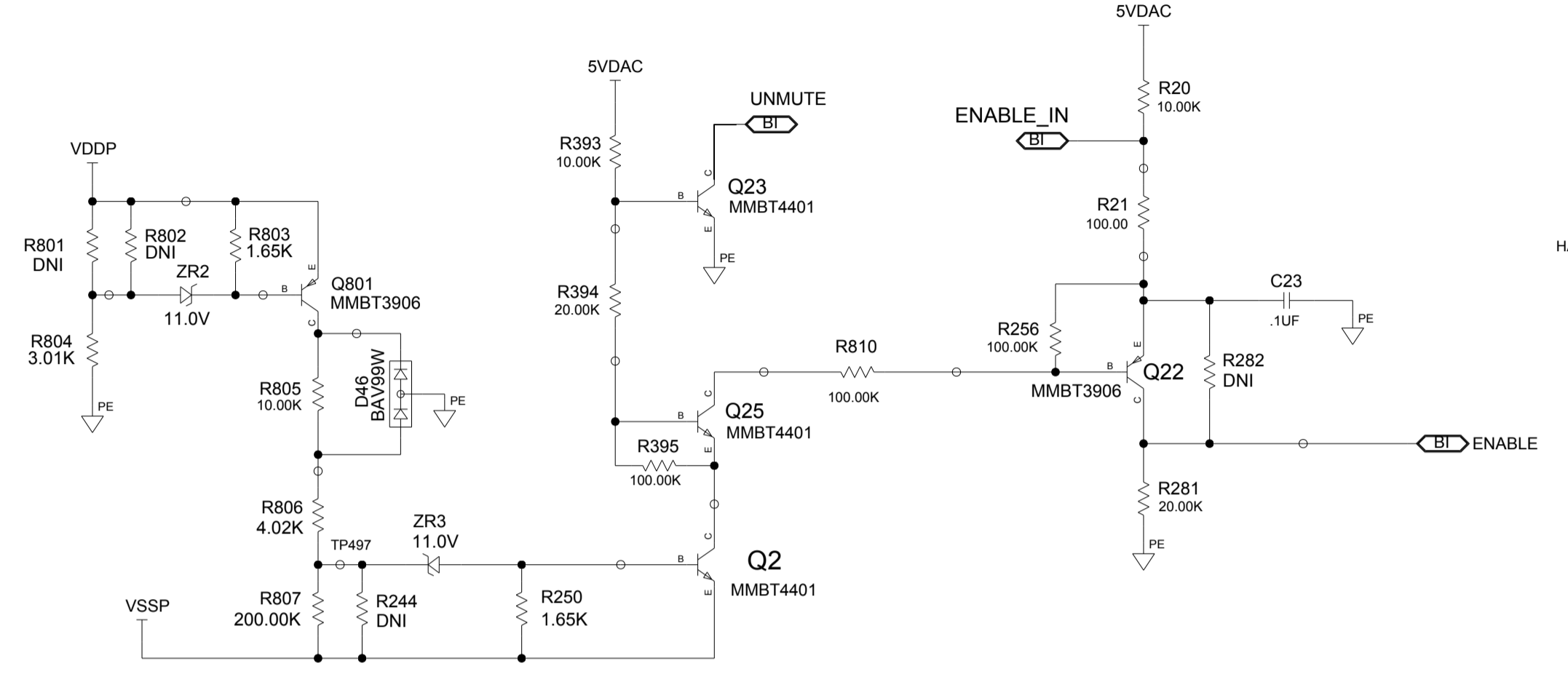


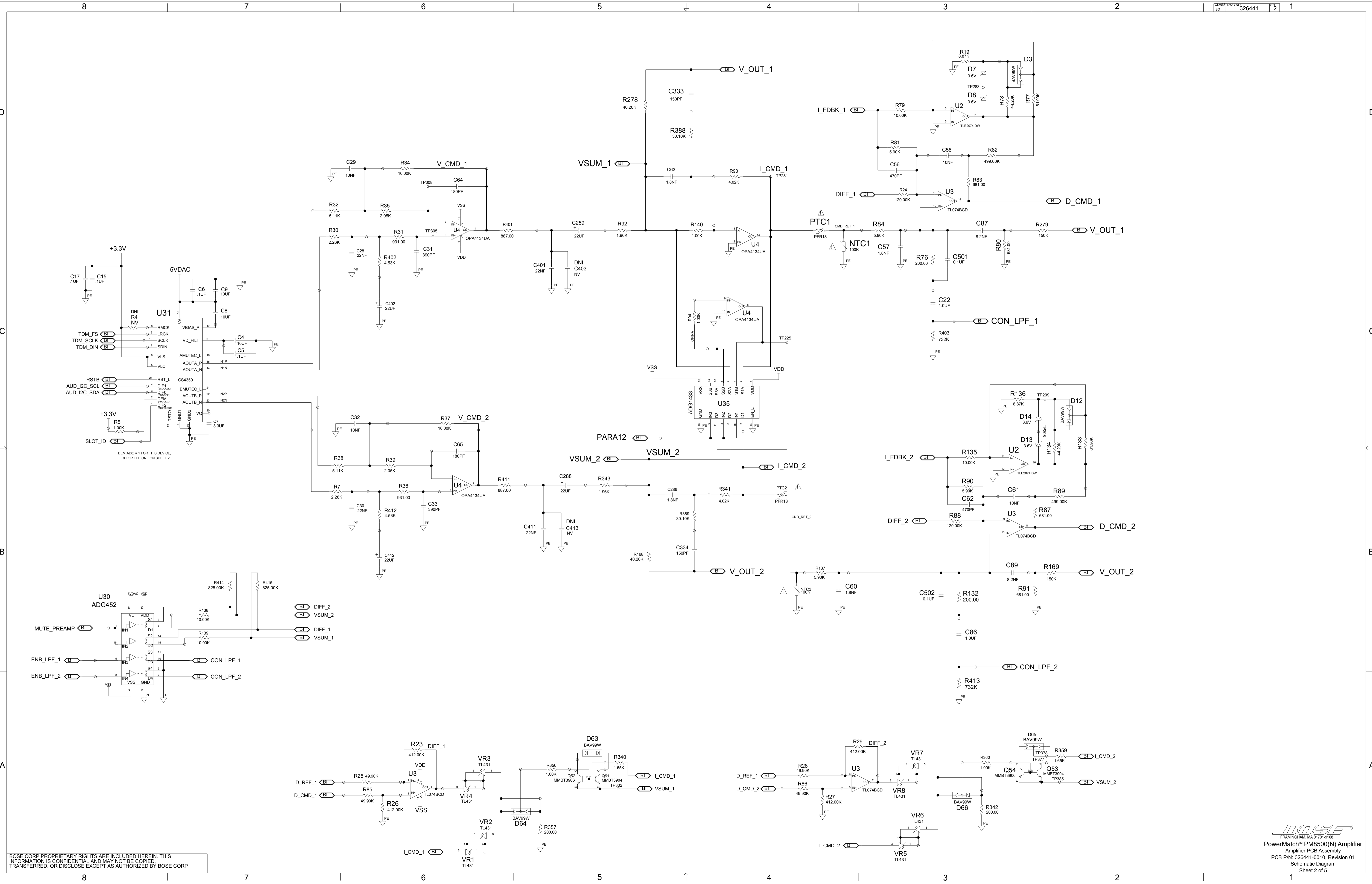
PM8500 AMPLIFIER

AUG 15, 2011

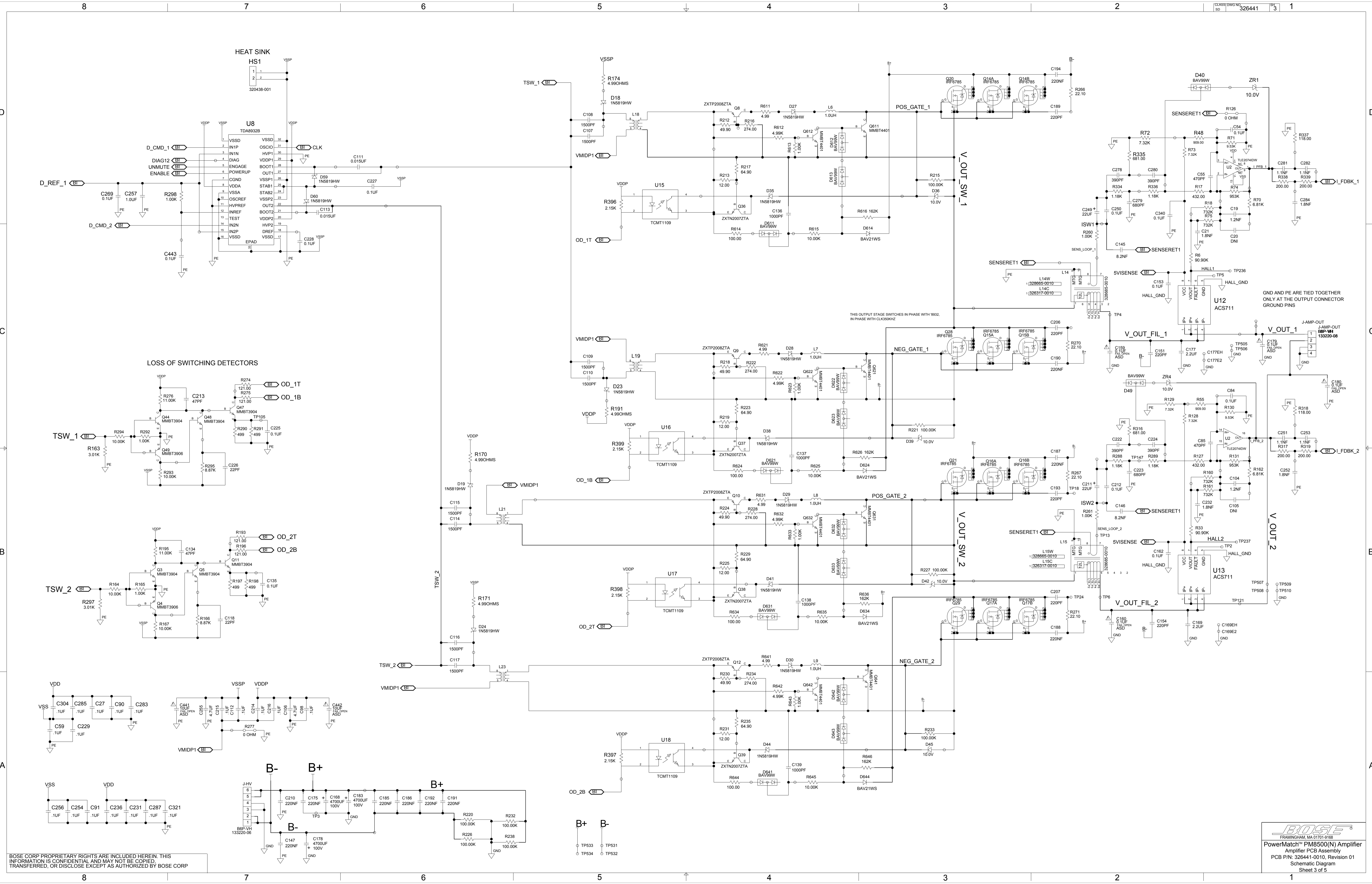


VDDP & VSSP ARE VALID TO ENABLE AMPLIFIER

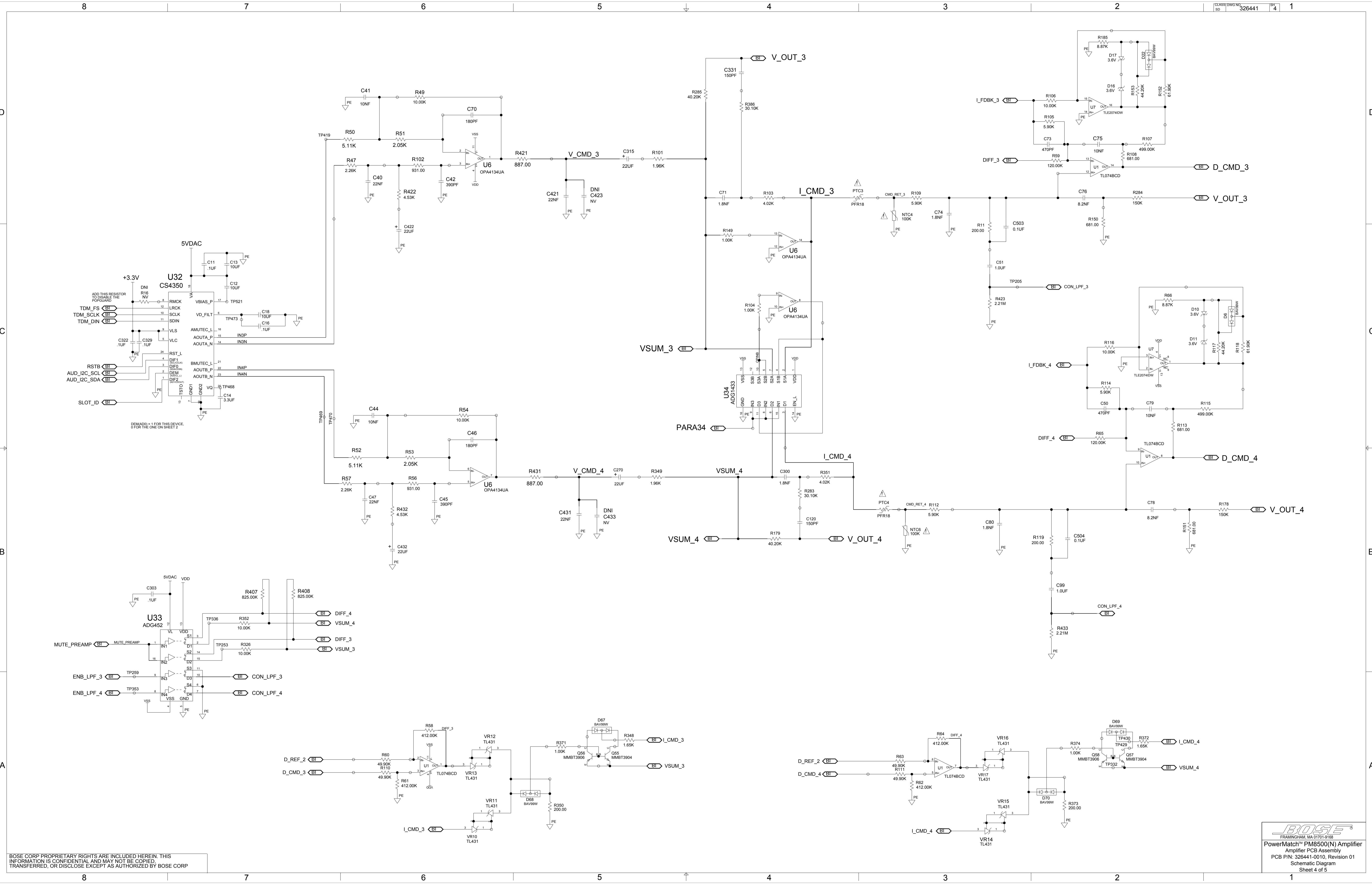




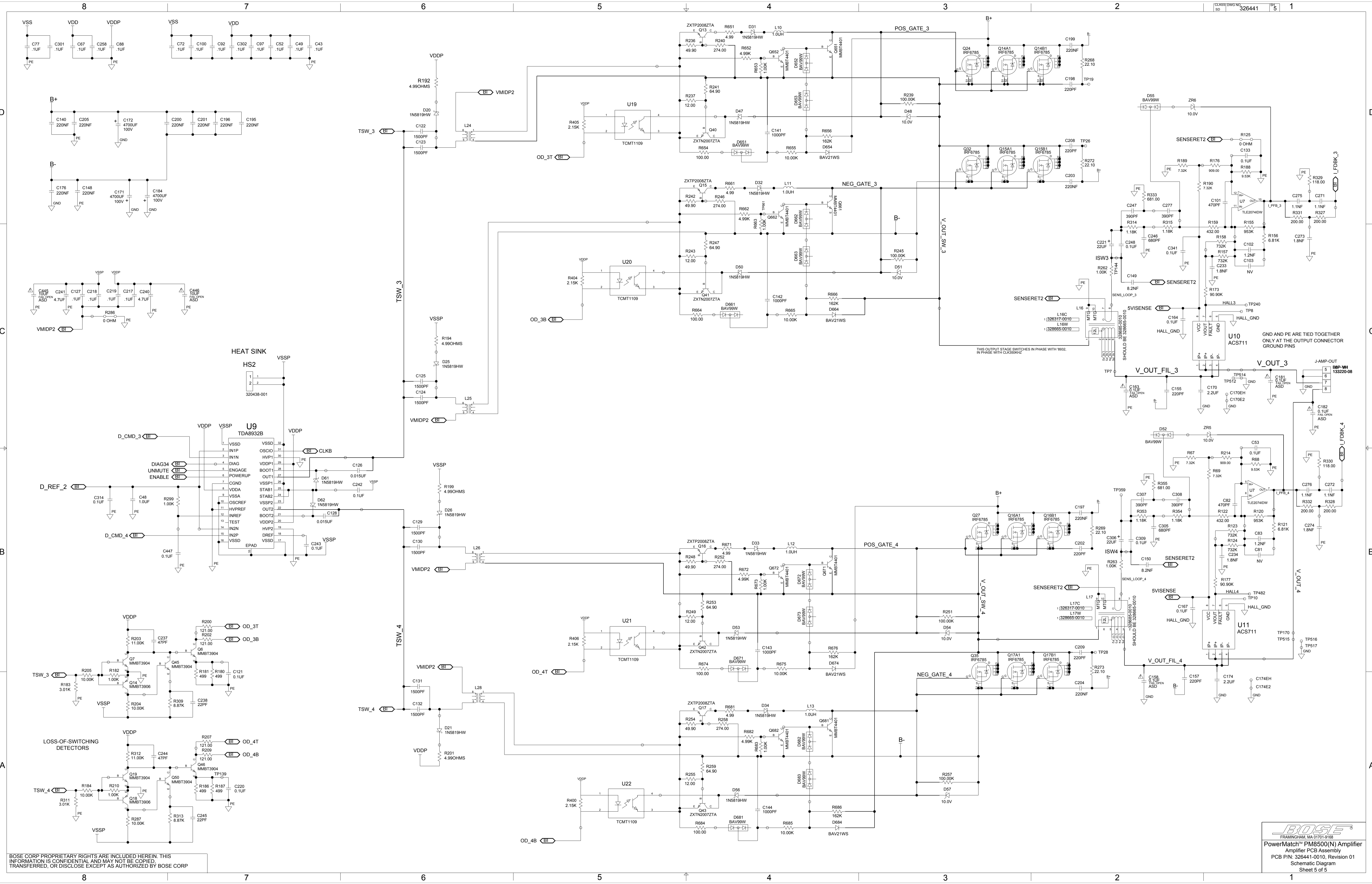
BOSE CORP PROPRIETARY RIGHTS ARE INCLUDED HEREIN. THIS INFORMATION IS CONFIDENTIAL AND MAY NOT BE COPIED, TRANSFERRED, OR DISCLOSE EXCEPT AS AUTHORIZED BY BOSE CORP



BOSE CORP PROPRIETARY RIGHTS ARE INCLUDED HEREIN. THIS INFORMATION IS CONFIDENTIAL AND MAY NOT BE COPIED, TRANSFERRED, OR DISCLOSE EXCEPT AS AUTHORIZED BY BOSE CORP



BOSE CORP PROPRIETARY RIGHTS ARE INCLUDED HEREIN. THIS INFORMATION IS CONFIDENTIAL AND MAY NOT BE COPIED, TRANSFERRED, OR DISCLOSE EXCEPT AS AUTHORIZED BY BOSE CORP



BOSE CORP PROPRIETARY RIGHTS ARE INCLUDED HEREIN. THIS INFORMATION IS CONFIDENTIAL AND MAY NOT BE COPIED, TRANSFERRED, OR DISCLOSE EXCEPT AS AUTHORIZED BY BOSE CORP