

6

5

4

3

2

D

D

C

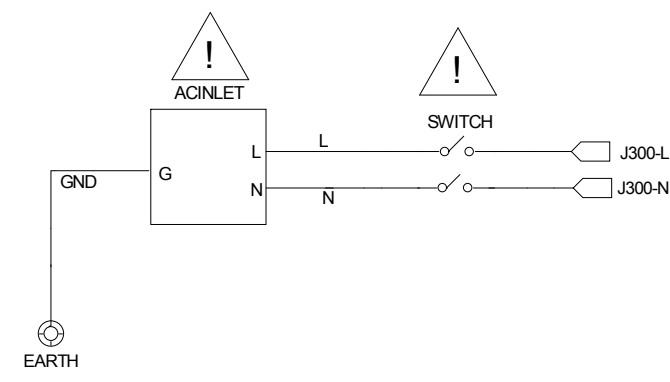
C

B

B

A

A



FreeSpace® IZA and ZA Amplifiers
AC Inlet Assembly
Schematic Diagram
Revision D
Sheet 1 of 10

6

5

4

3

2

1

D

D

C

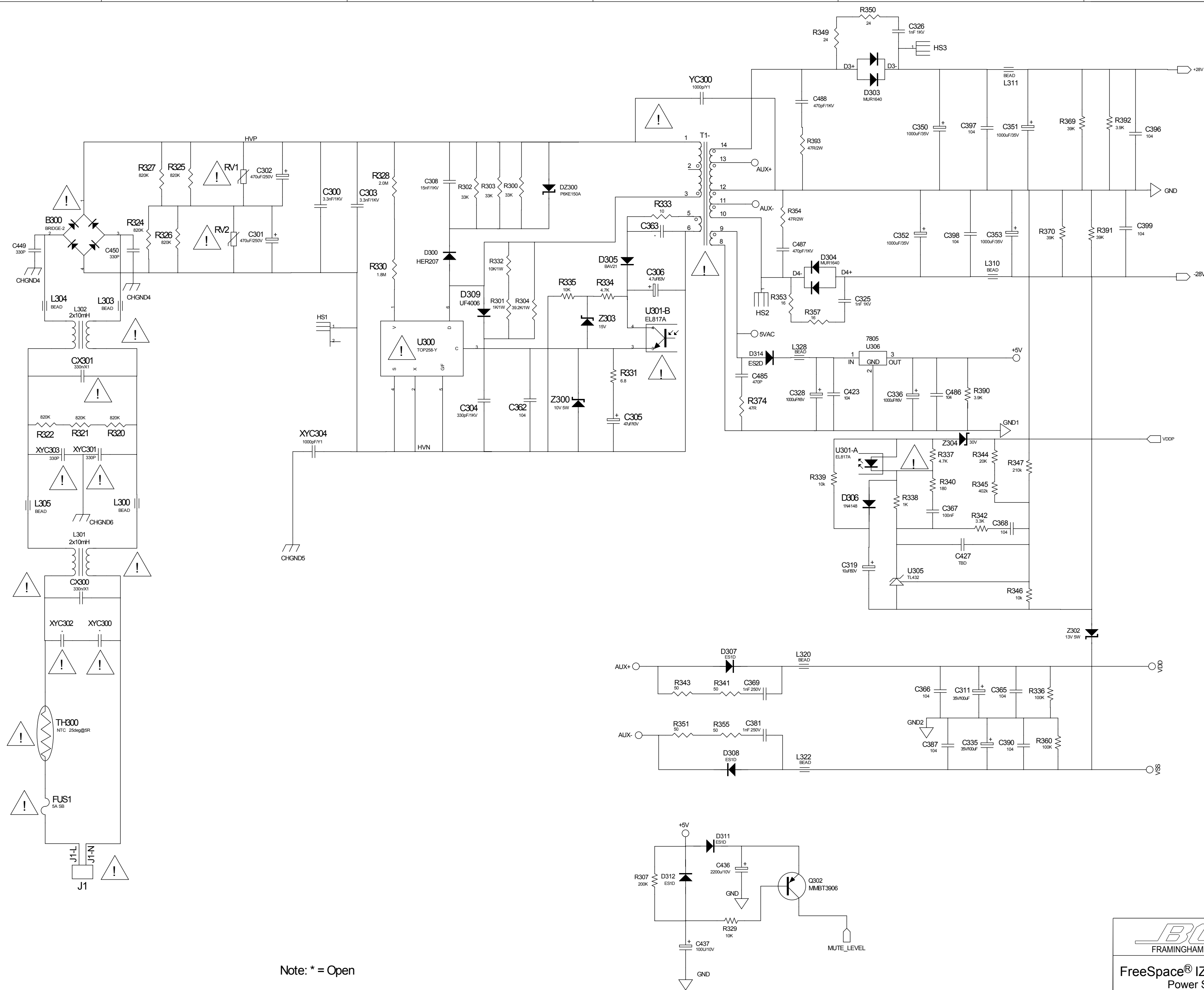
C

B

B

A

A



Note: * = Open

6

5

4

3

2

1

D

D

C

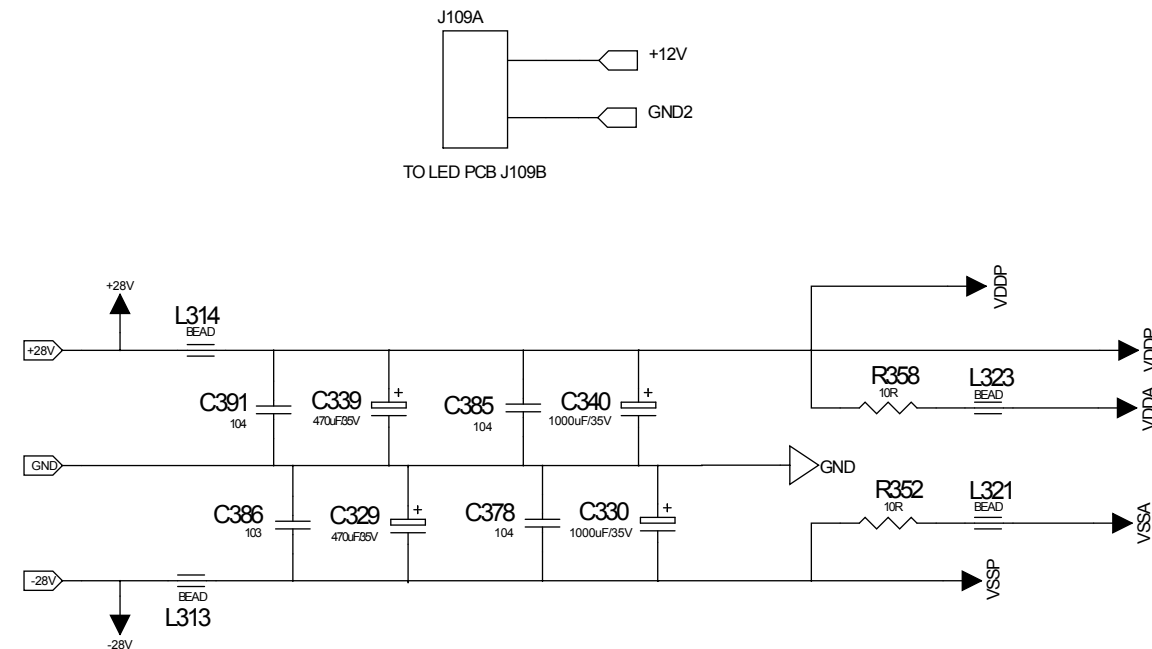
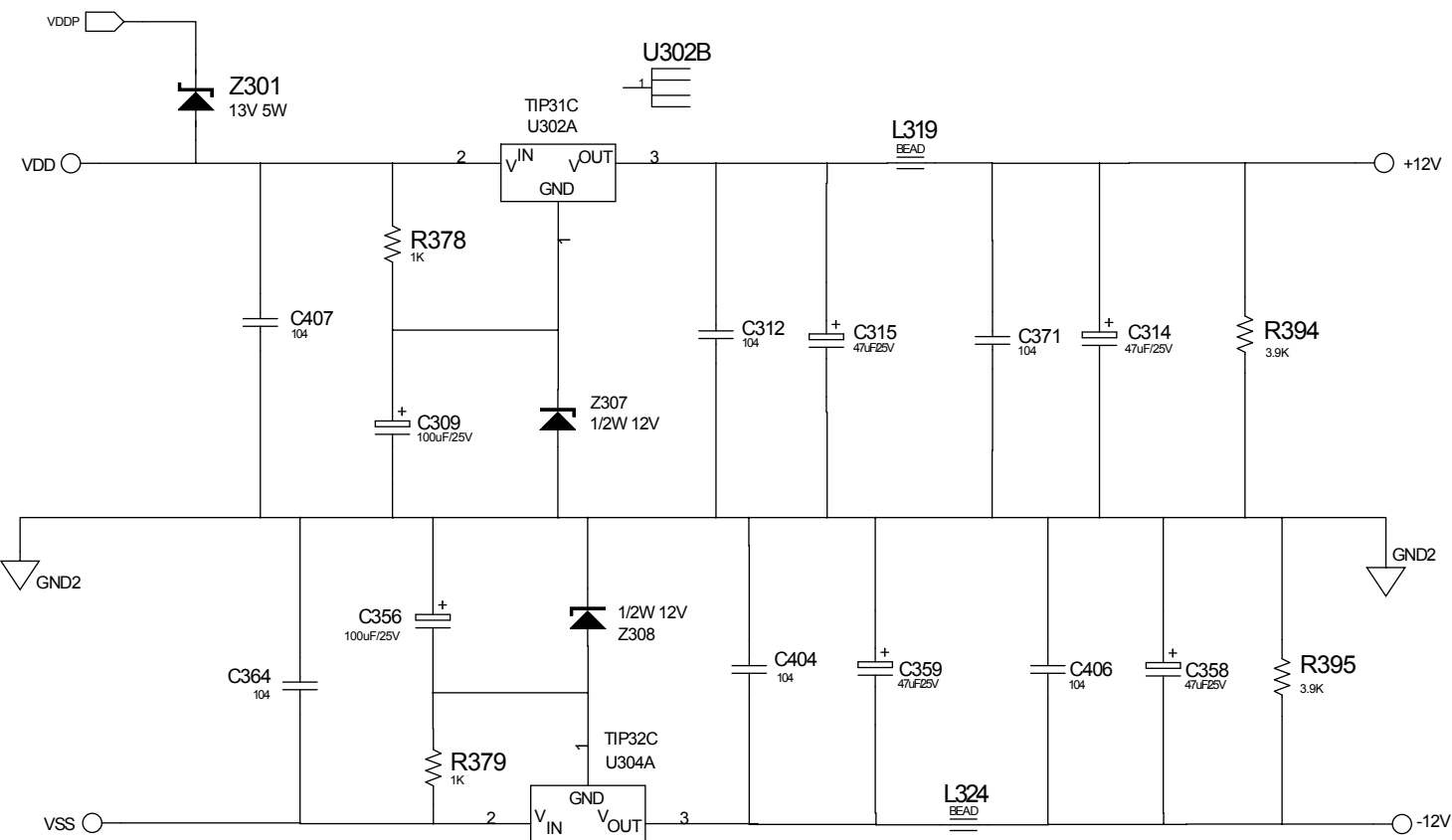
C

B

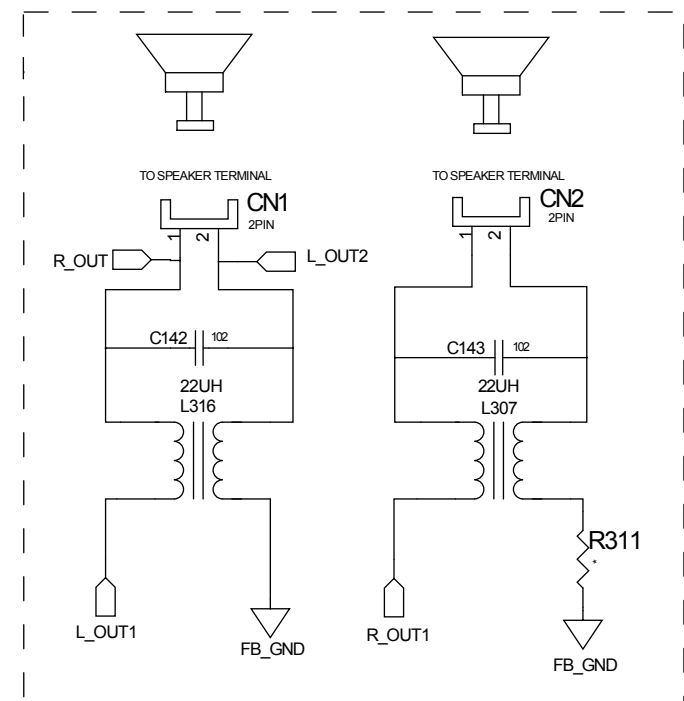
B

A

A

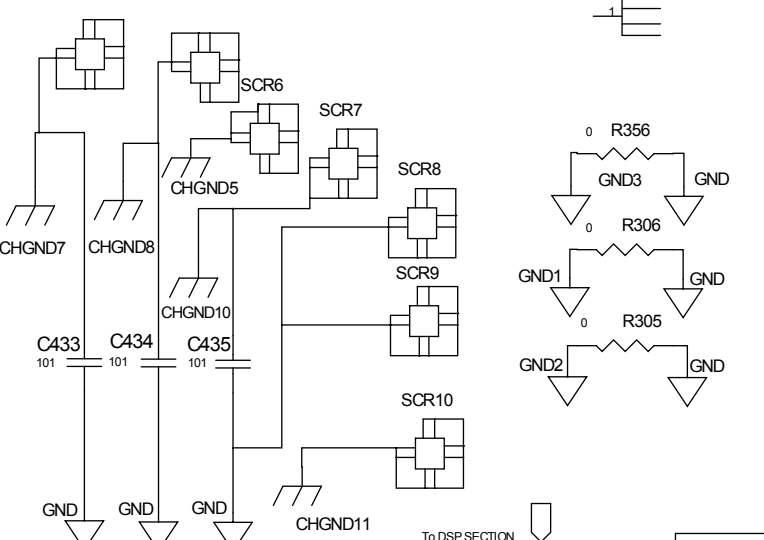
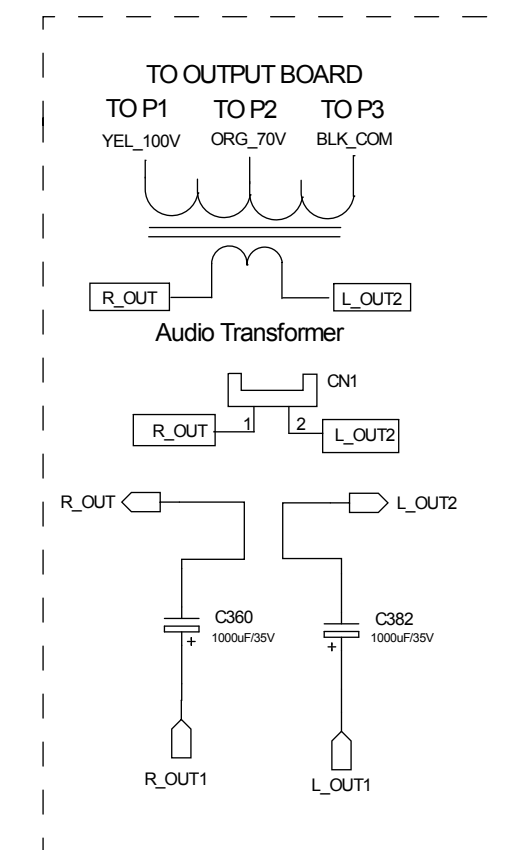


Only for Lo-Z unit output

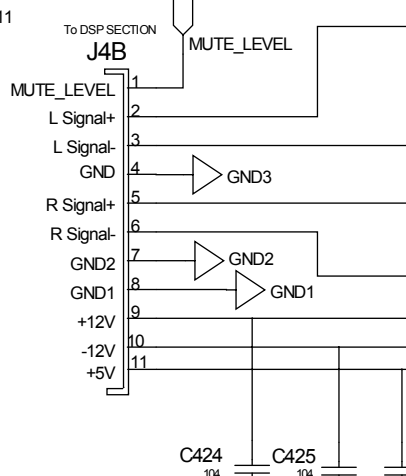


	R311
Lo Z MS	JUMPER
HZZ MS	*

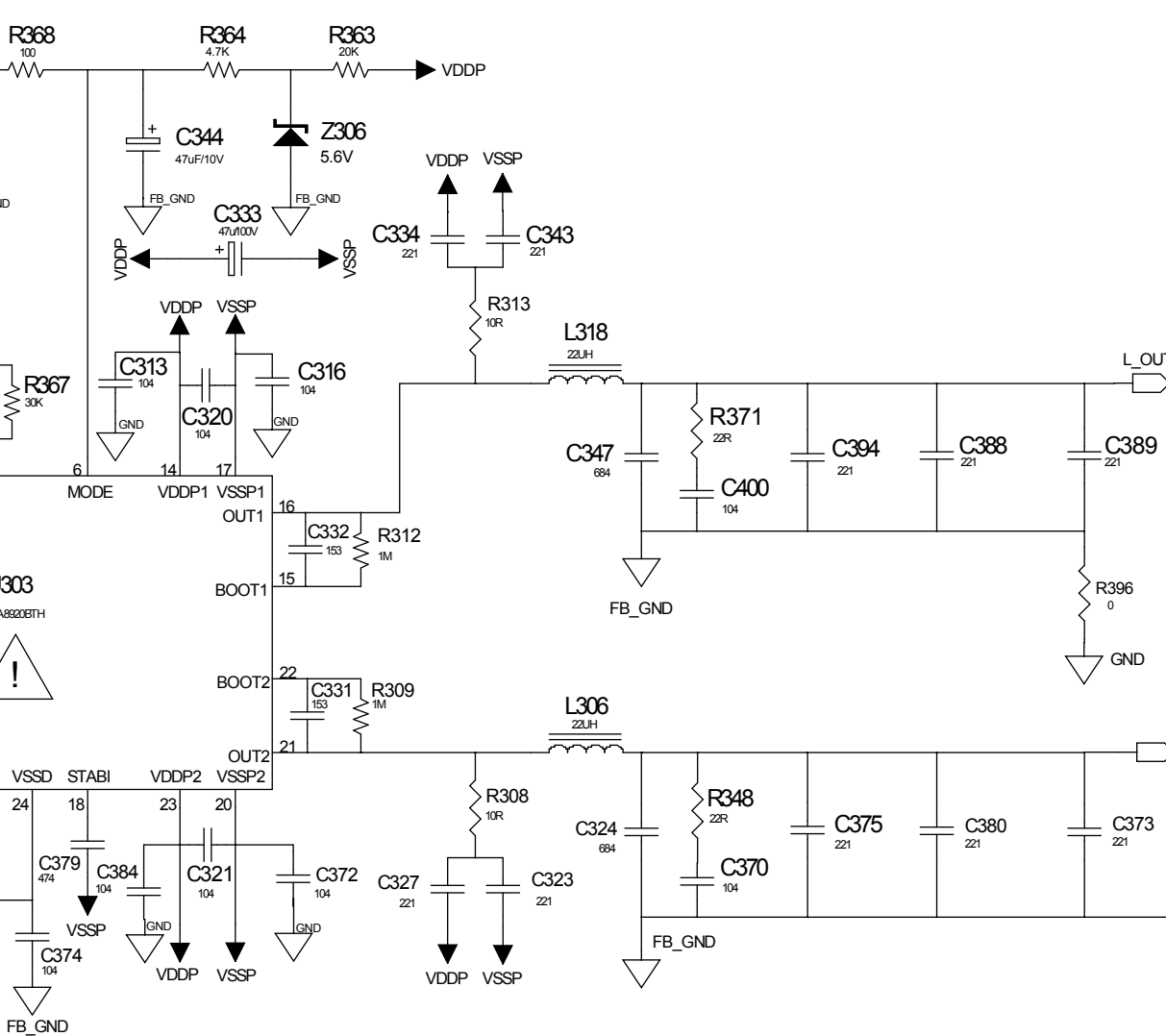
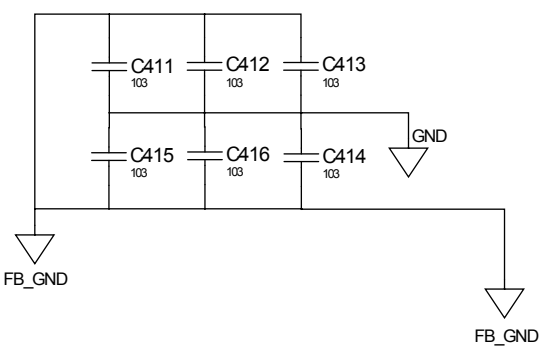
Only for Hi-Z unit output



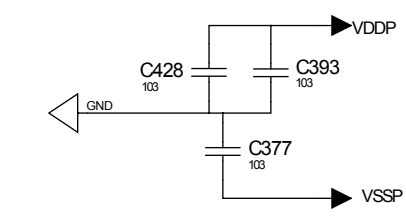
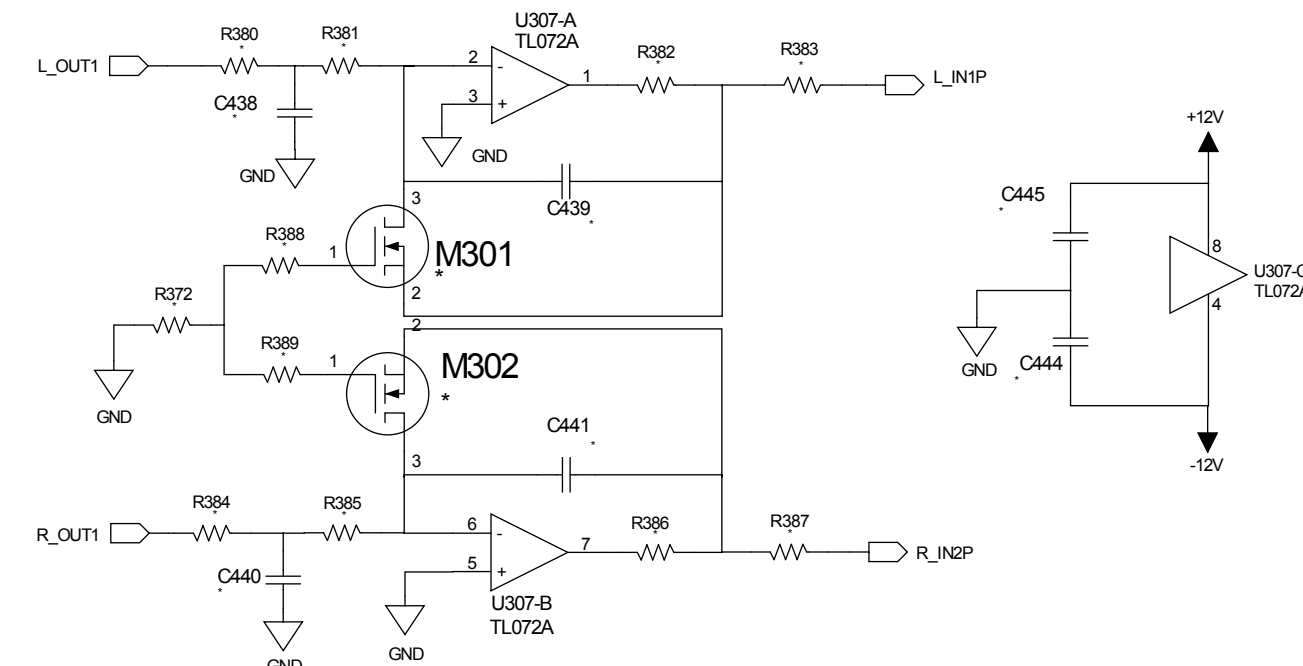
	Z305	R397
Master	*	0R
Slave	22V	*



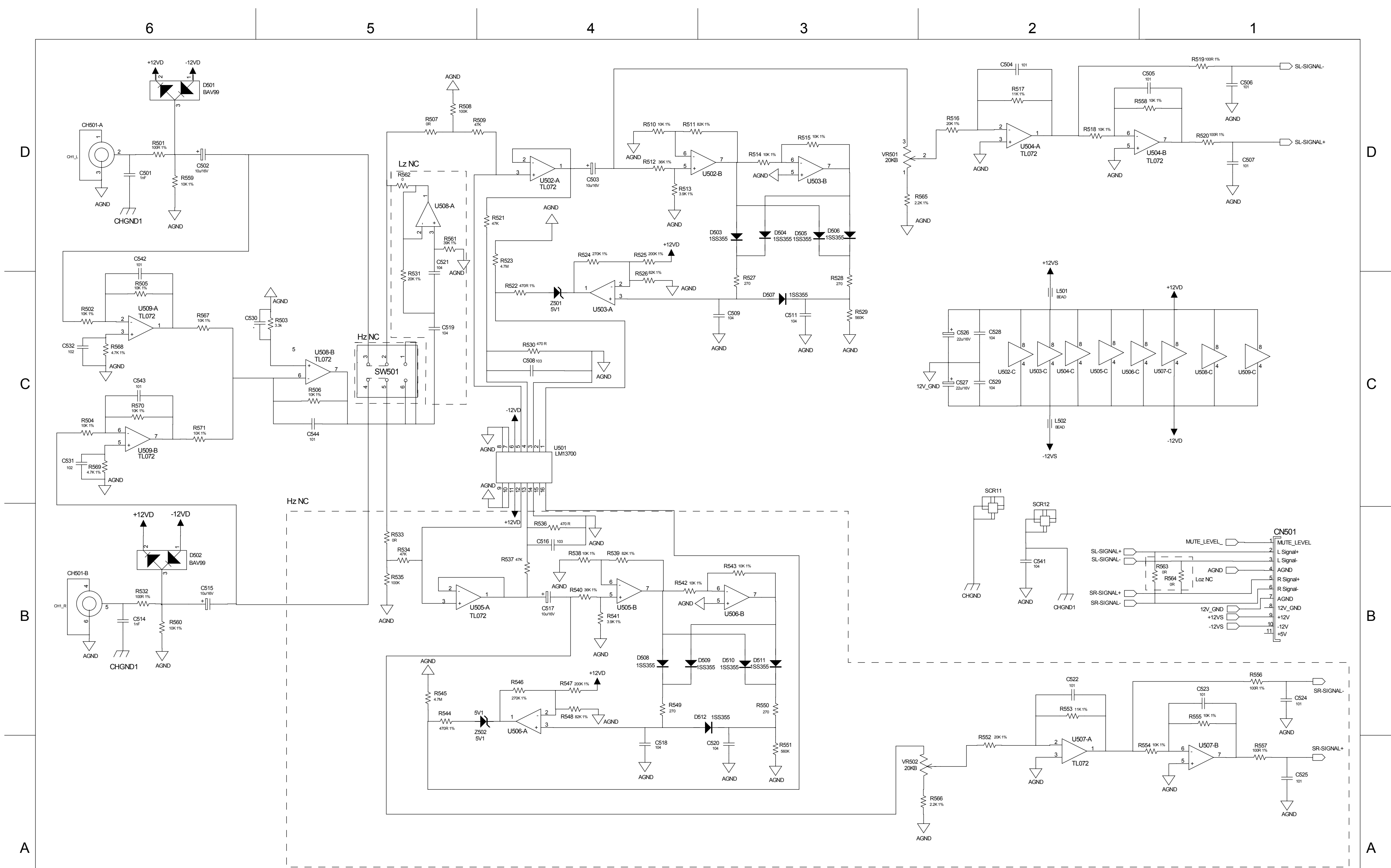
	R314,R315,R318,R319
Master	13.7K
Slave	7.5k



U303
TD48808TH

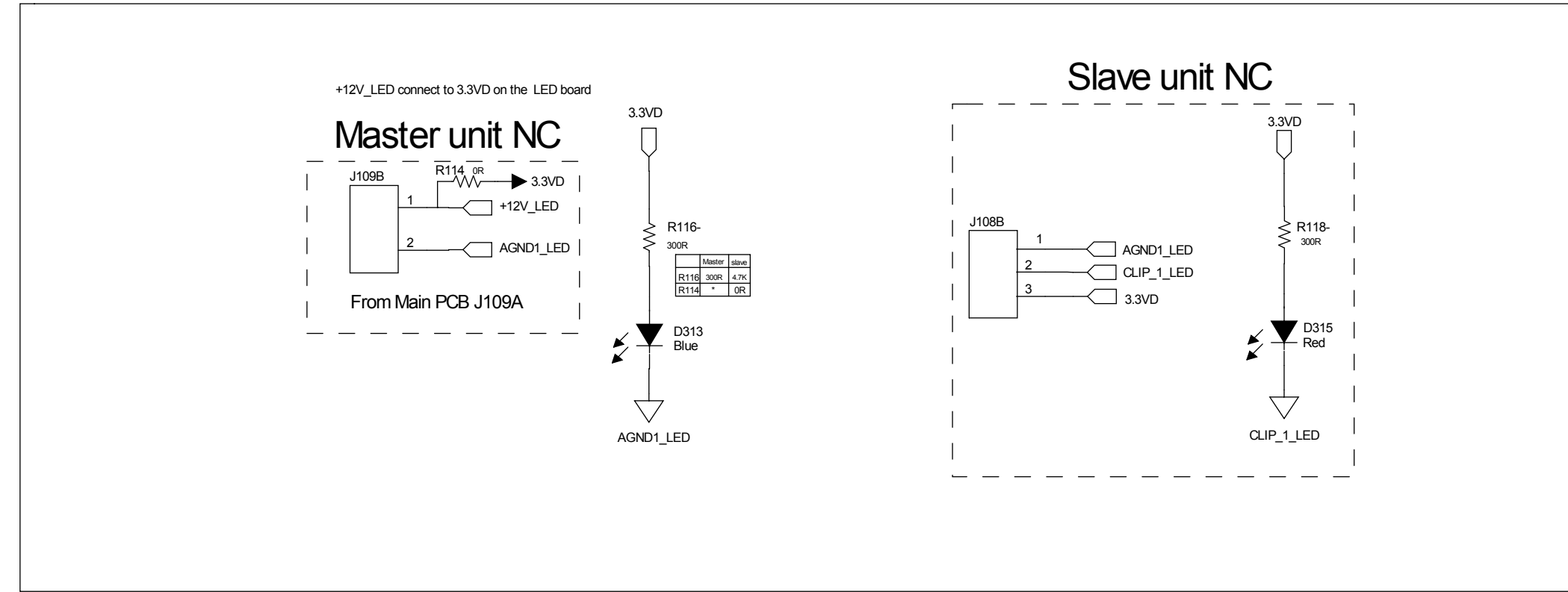


Note: * = Open

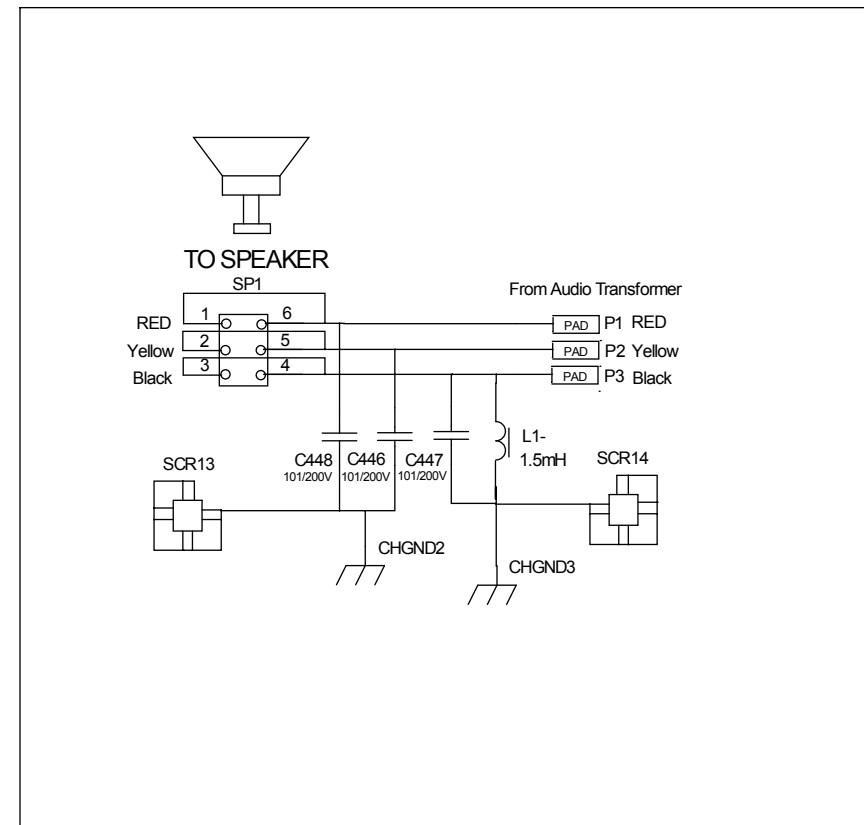


Note: * = Open

Main unit LED

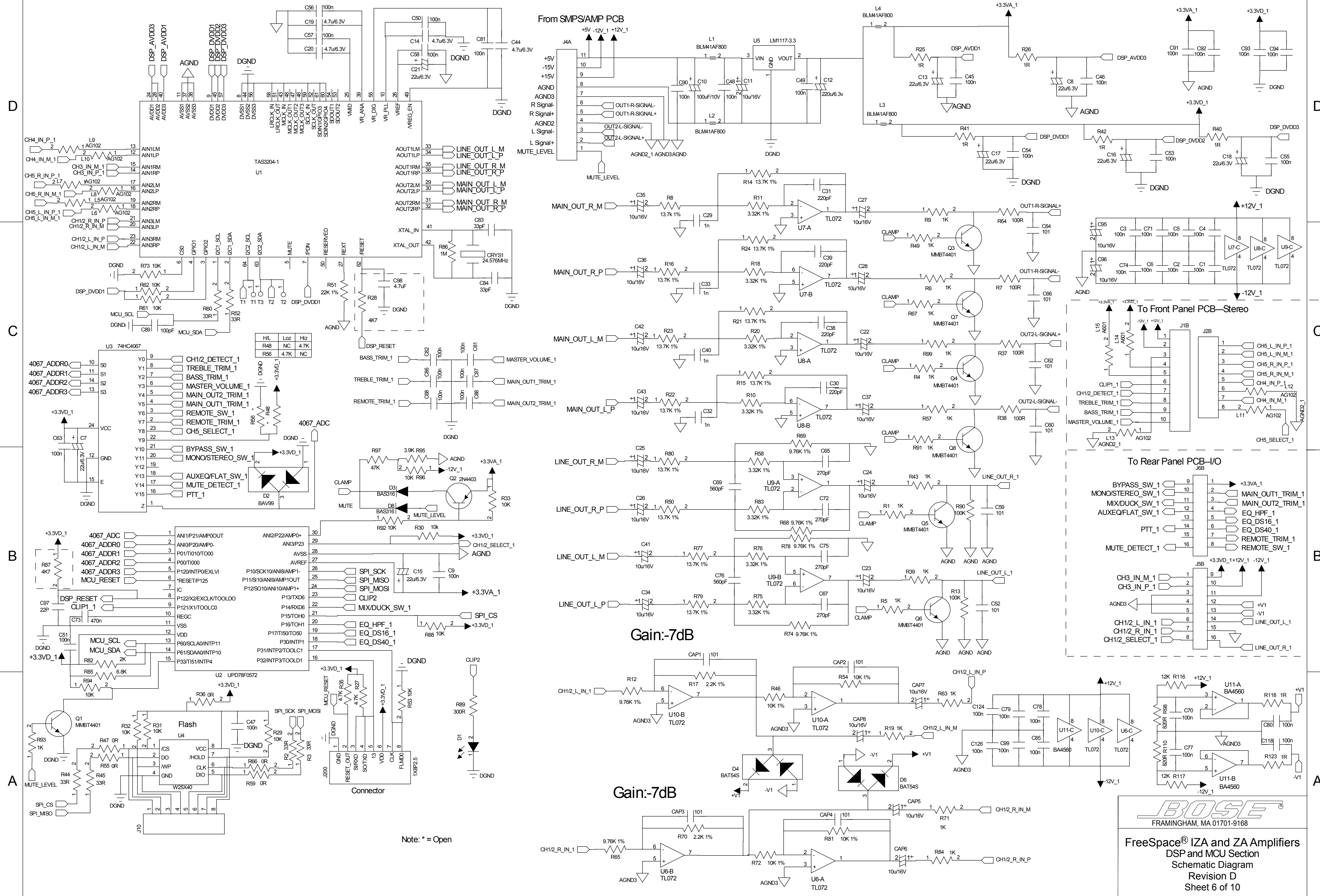


Hi-Z output(master/slave)

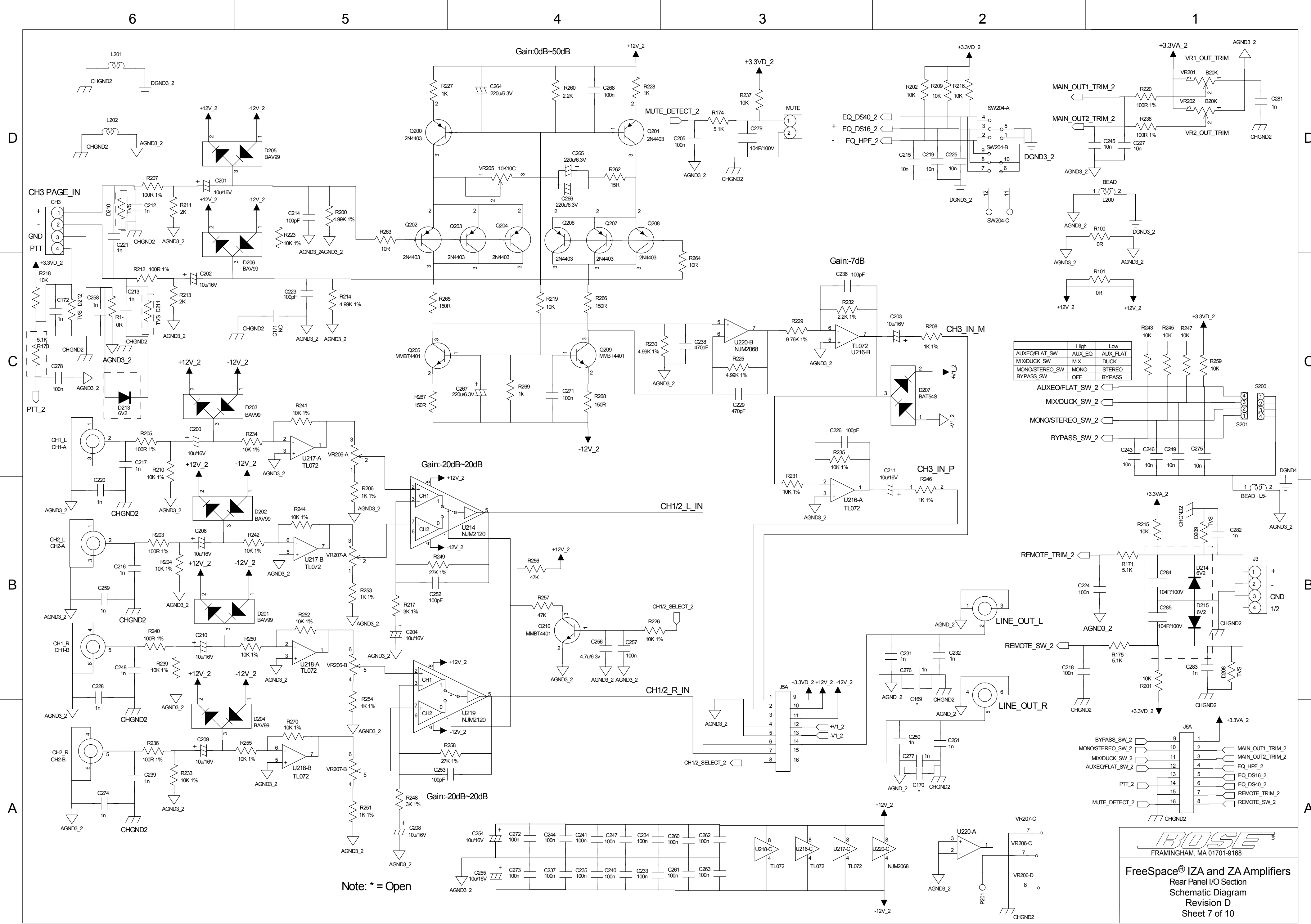


Note: * = Open





Note: * = Open



6

5

4

3

2

1

D

D

C

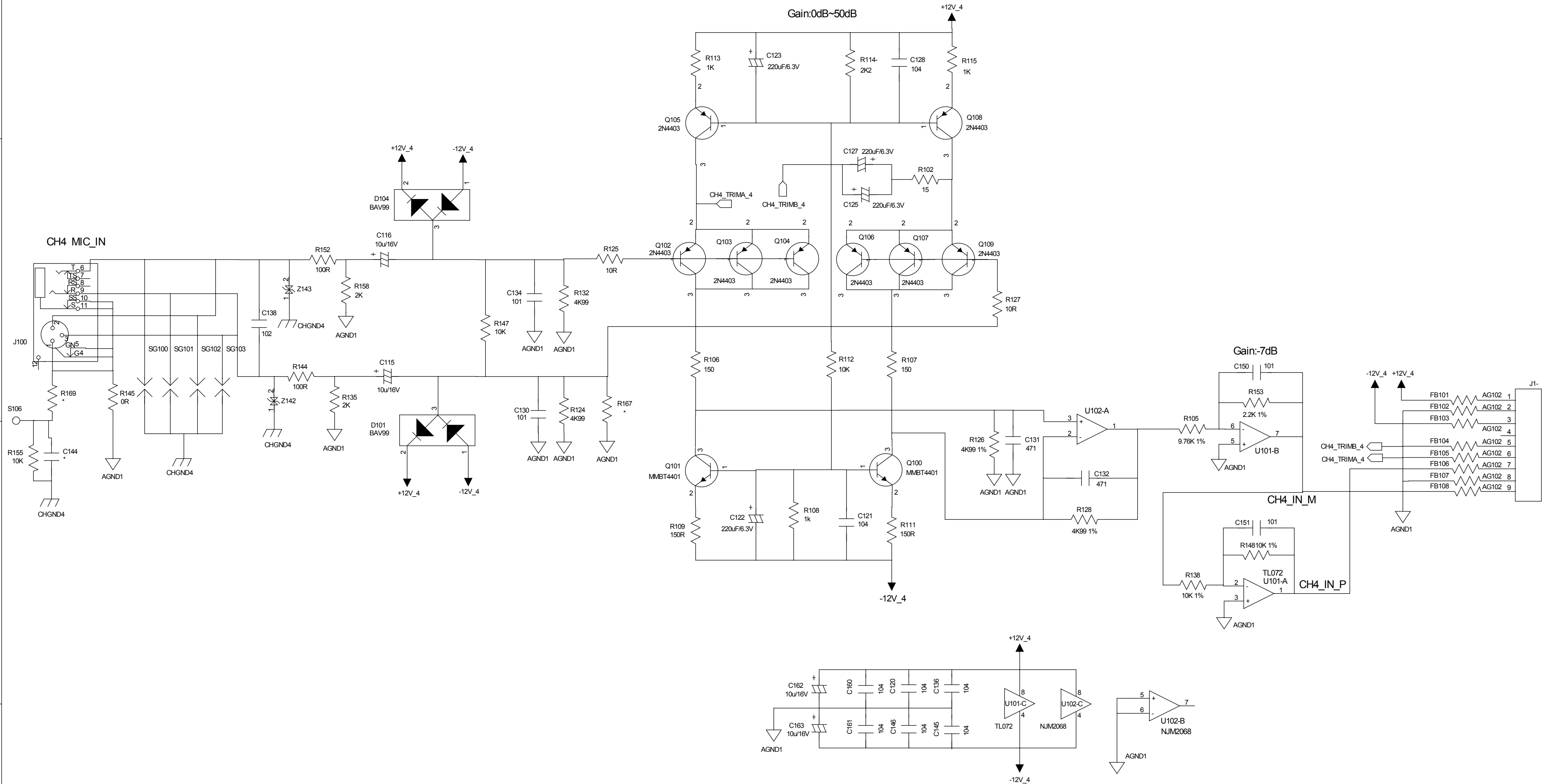
C

B

B

A

A



Note: * = Open

D

C

B

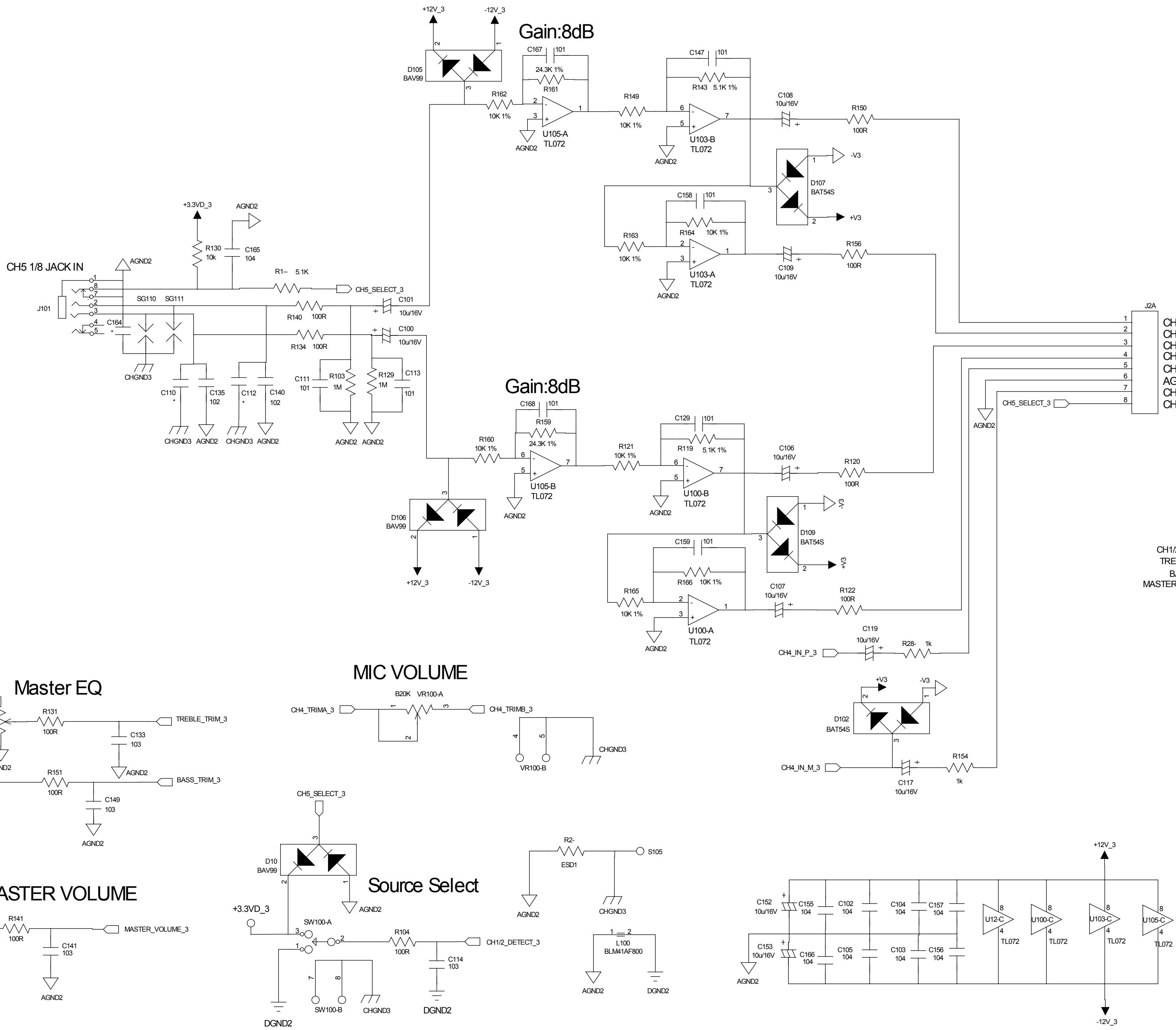
A

D

C

B

A



CH5 1/8 JACK IN

J101

SG110 SG111

CHGND3

AGND2

CHGND3

AGND2

CHGND3

AGND2

CHGND3

AGND2

CHGND3

AGND2

CHGND3

AGND2

CHGND3

AGND2

CHGND3

AGND2

CHGND3

AGND2

CHGND3

AGND2

CHGND3

AGND2

CHGND3

AGND2

CHGND3

AGND2

CHGND3

AGND2

CHGND3

AGND2

CHGND3

AGND2

CHGND3

AGND2

J2A

- 1 CH5_L_IN_P_3
- 2 CH5_L_IN_M_3
- 3 CH5_R_IN_P_3
- 4 CH5_R_IN_M_3
- 5 CH4_IN_P_3
- 6 CH4_IN_M_3
- 7 AGND2
- 8 CH5_SELECT_3

To DSP PCB

J1A

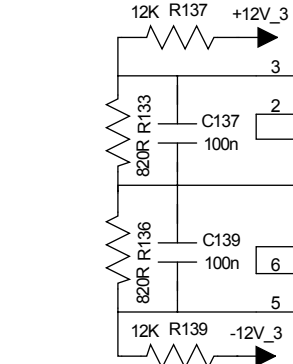
- 10 +3.3VA_3
- 9 +3.3VD_3
- 8 -12V_3
- 7 +12V_3
- 6 CLIP1_3
- 5 CH1/2_DETECT_3
- 4 TREBLE_TRIM_3
- 3 BASS_TRIM_3
- 2 MASTER_VOLUME_3
- 1 AGND2

To DSP PCB

J9A1

- 1 +3.3VD_3
- 2 -12V_3
- 3 +12V_3
- 4 CH5_TRIMB_3
- 5 CH5_TRIMA_3
- 6 CH4_IN_P_3
- 7 CH4_IN_M_3
- 8 CH4_IN_M_3
- 9 CLIP1_3
- 10
- 11
- 12

To Front MIC Panel PCB



Note: * = Open

6

5

4

3

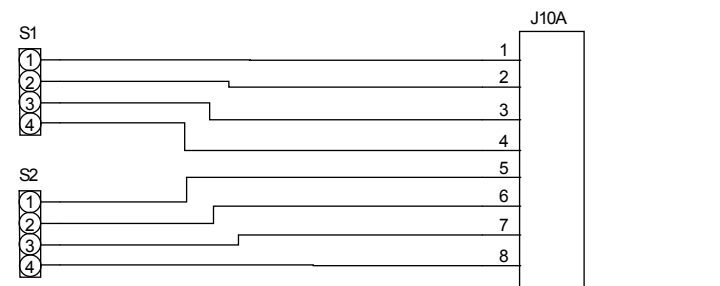
2

1

D

D

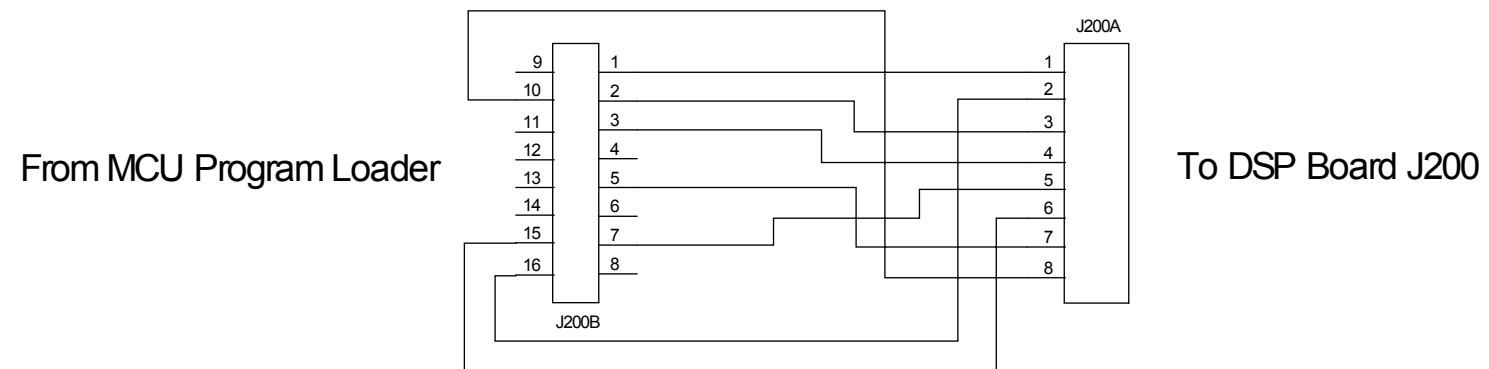
For FLASH Update



From Program Loader

To DSP Board J10

For MCU Update



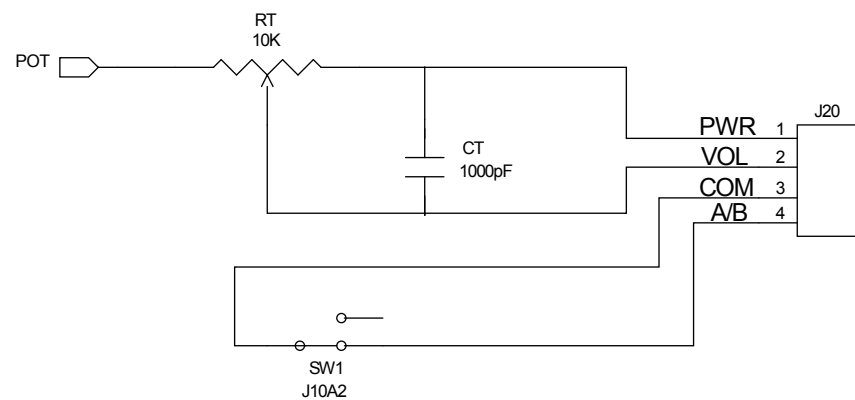
From MCU Program Loader

To DSP Board J200

C

C

Schematic for volume control with A/B select user interface.



B

B

A

A

Note: * = Open

