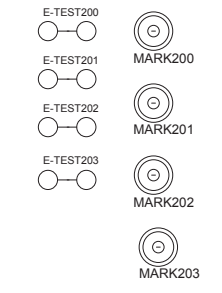


REMARK:

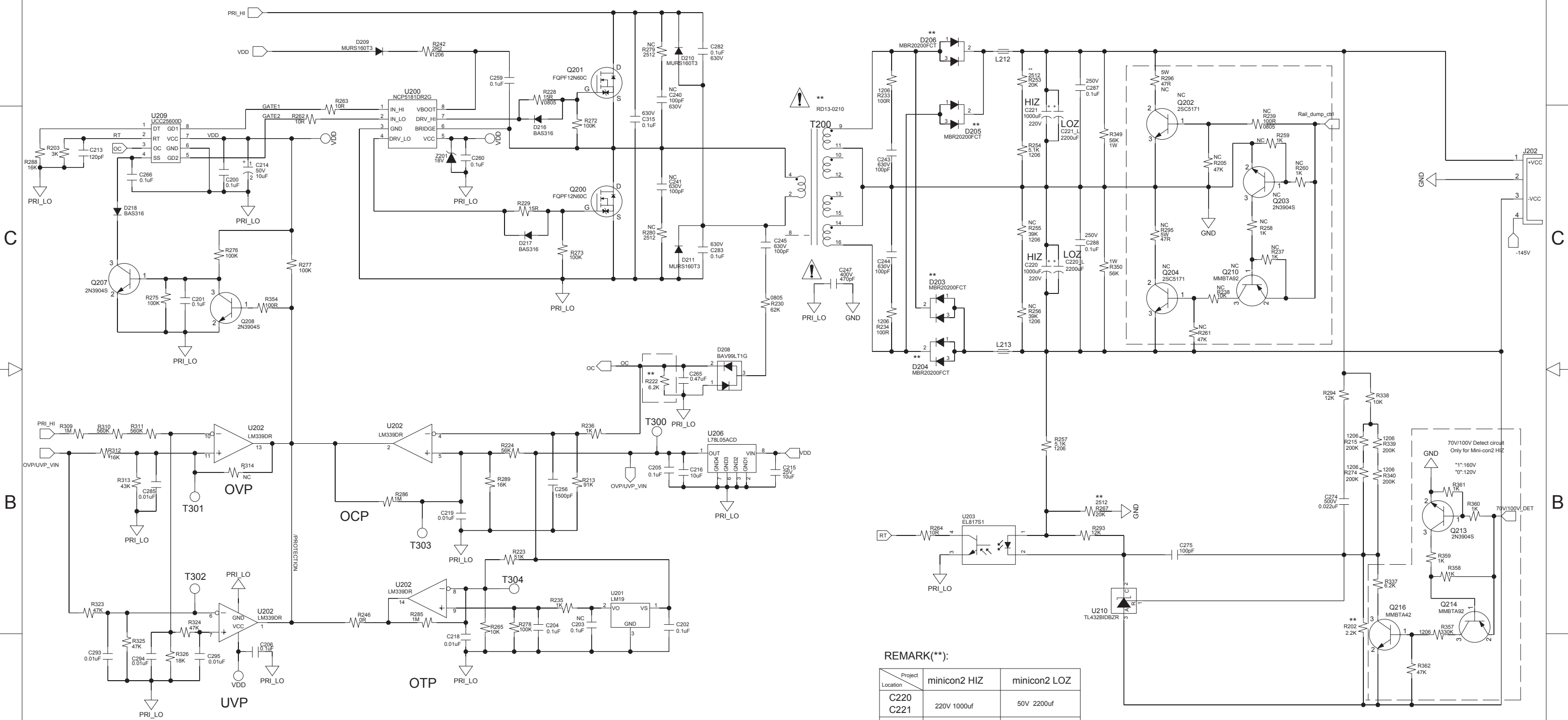
Project	minicon2 HIZ	minicon2 LOZ
R347	330k	68k



- Notes:
- 1)NC:means the part is no connect
  - 2)\*\*:Please refer to the remark
  - 3)Unless otherwise marked,all resistor is 1/16W,0603
  - 4)Unless otherwise marked,all capacitors voltage is 50V



ZA 2120-LZ AMPLIFIER  
 SMPS PCB ASSEMBLY  
 PCB P/N: 729409-002S  
 SCHEMATIC REVISION 3.0  
 SHEET 1 OF 5



REMARK(\*\*):

Project Location	minicon2 HIZ	minicon2 LOZ
C220	220V 1000uf	50V 2200uf
C221	220V 1000uf	50V 2200uf
R267	20k	6.2k
R253	20k	6.2k
R202	2.2k	6.8k
D203	ER1606CT	MBR20200FCT
D204	600V 16A	200V 20A
D205		
D206		
T200	O/P is 160V	O/P is 40V
R222	6.2k	4.7k

6

5

4

3

2

1

D

D

C

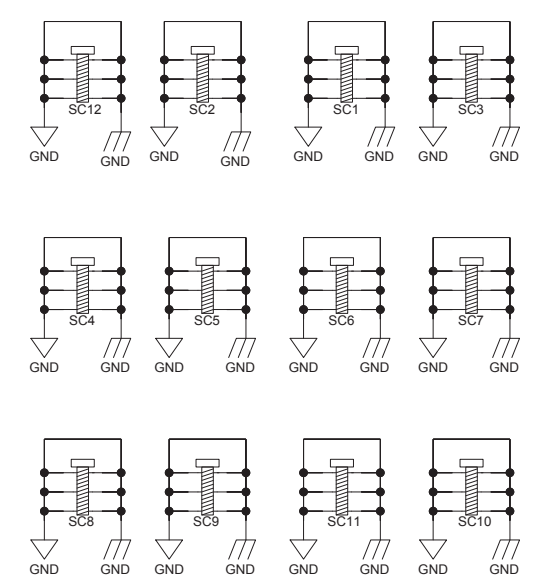
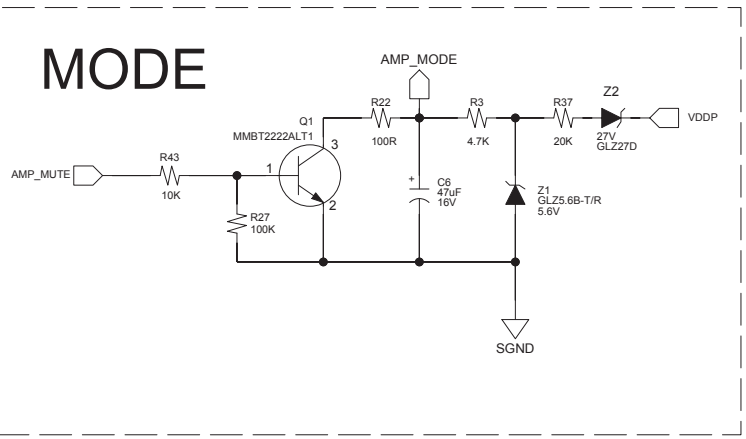
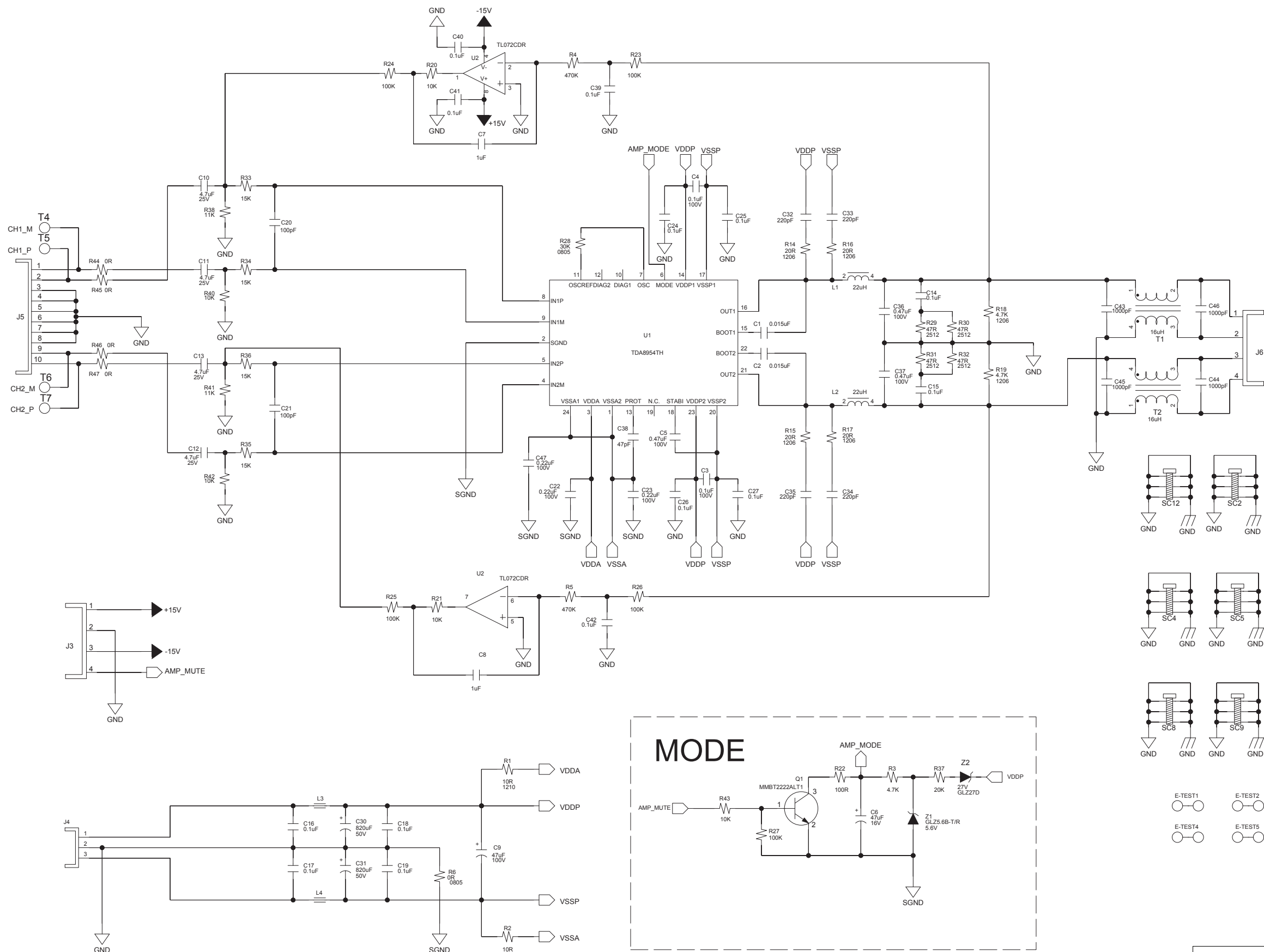
C

B

B

A

A

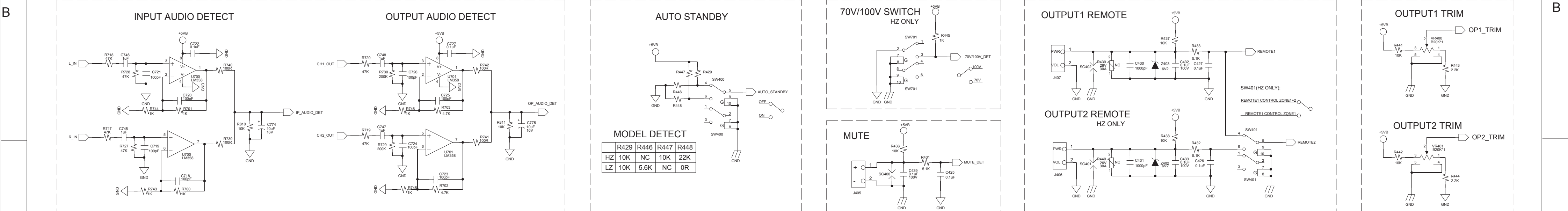
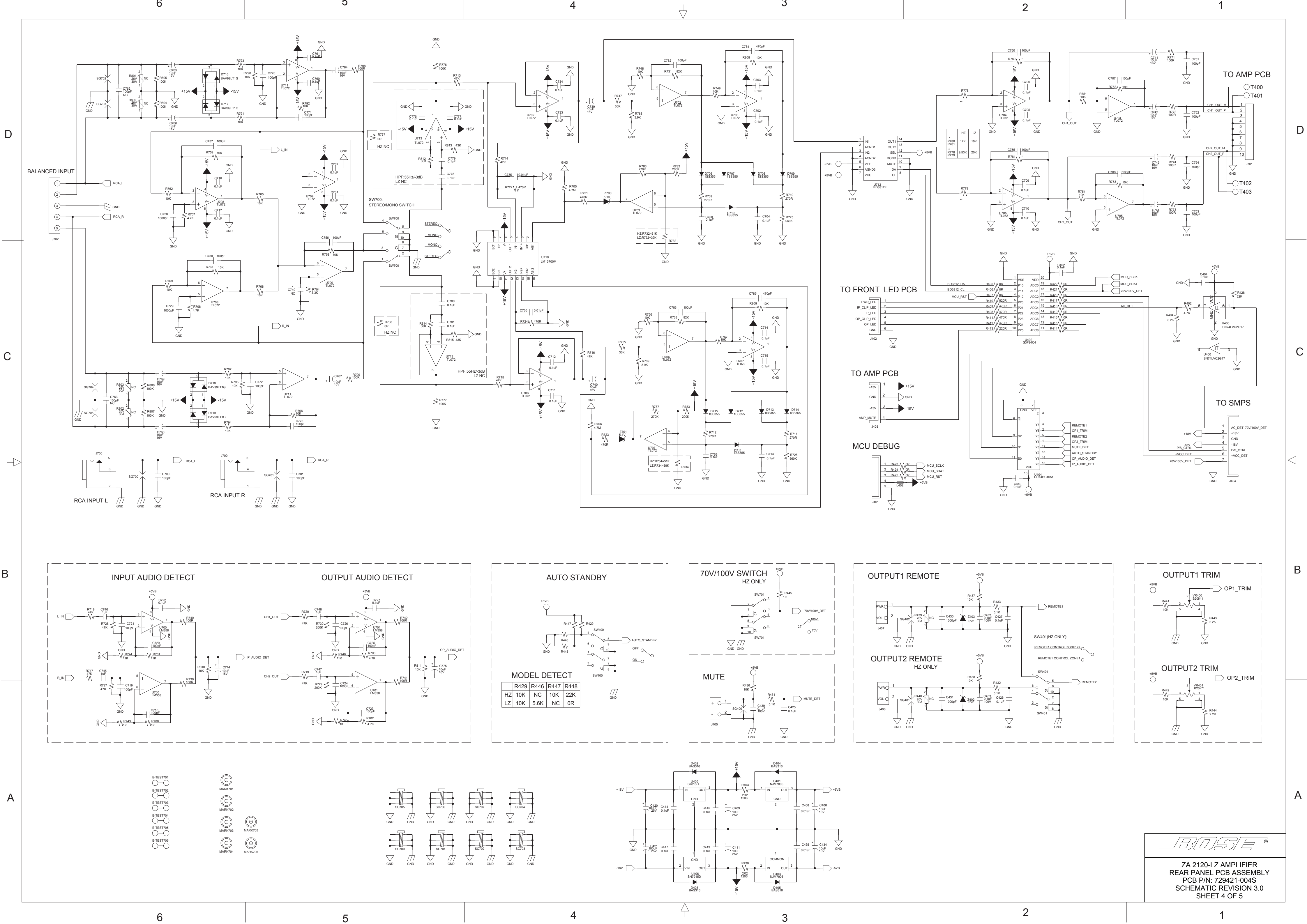


**NOTES**

1. Unless otherwise marked, all resistors are 1/16W, 0603
2. Unless otherwise marked, all capacitors are 50V

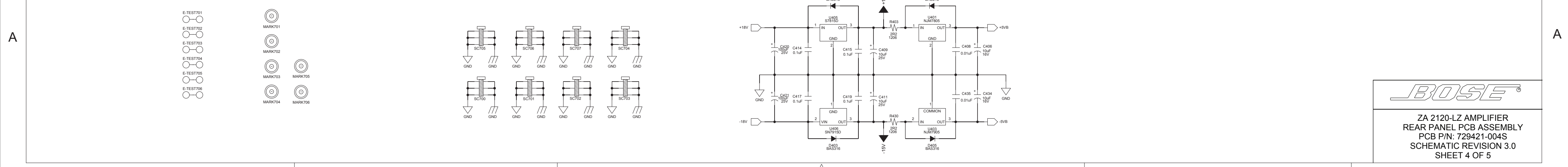
**BOSE**

ZA 2120-LZ AMPLIFIER  
 AMPLIFIER PCB ASSEMBLY  
 PCB P/N: 740163-001S  
 SCHEMATIC REVISION 3.0  
 SHEET 3 OF 5



**MODEL DETECT**

	R429	R446	R447	R448
HZ	10K	NC	10K	22K
LZ	10K	5.6K	NC	0R



**BOSE**

ZA 2120-LZ AMPLIFIER  
 REAR PANEL PCB ASSEMBLY  
 PCB P/N: 729421-004S  
 SCHEMATIC REVISION 3.0  
 SHEET 4 OF 5

6

5

4

3

2

1

D

D

C

C

B

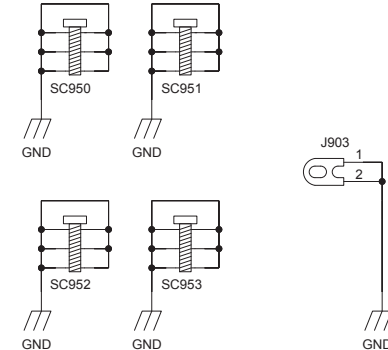
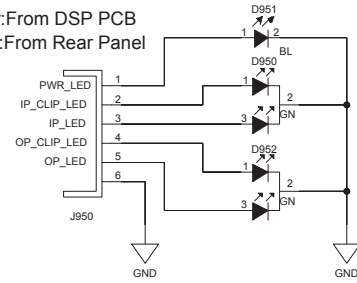
B

A

A

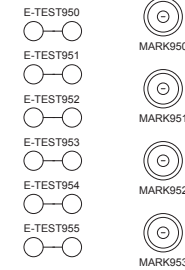
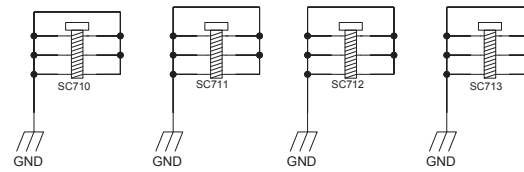
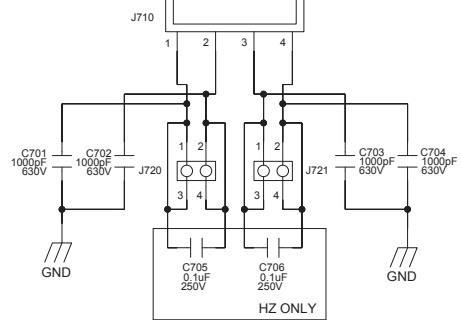
### FRONT LED

Master: From DSP PCB  
AMPO: From Rear Panel



### SPEAKER OUTPUT

FROM AMP PCB



ZA 2120-LZ AMPLIFIER  
 FRONT LED PCB ASSEMBLY  
 PCB P/N: 729412-001S  
 SPEAKER OUTPUT PCB ASSEMBLY  
 PCB P/N: 729597-001S  
 SCHEMATIC REVISION 3.0  
 SHEET 5 OF 5

6

5

4

3

2

1