

**SUPPLEMENT**

**502<sup>®</sup> Controller**

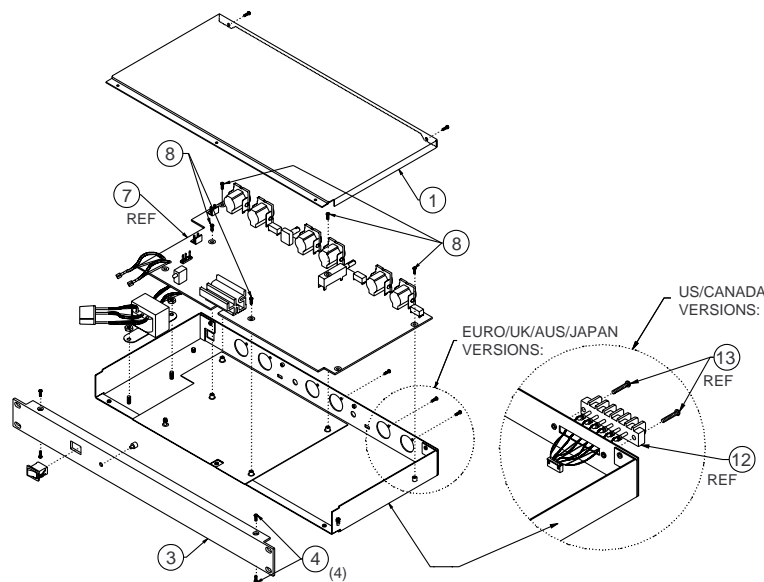
The following part numbers used in the 502 Controller as listed in Table 1 have changed. If you are replacing parts on an older unit with the removable front panel (see Figure 1), use the part list in the 502 Controller service manual. Use the part list in Table 2 for newer units that have a one piece chassis (see Figure 2). The old style PCB with the heatsink mounted to the board will not fit in the new style chassis. The new style PCB, with clip-on heatsinks, will fit into the old style chassis. Both PCBs are functionally identical. Refer to the 502 Controller service manual, part number 170310 for all disassembly/assembly and test procedures.

**Table 1. Changed Part Numbers**

Item Number	Description	Part Number	Qty./ Assy
1	Cover, Chassis, 502	173003	1
3	Panel, Front, Rack Mount, 502	173004	1
4	Screw-Tapp, 4-40x.312, BTN, XREC	170285-05	4
7	PCB Assembly, 502	143940-1	1
8	Screw-Mach., 4-40 x .25, PAN, TORX	171796-04	5
12	Harness Assy, 6-pin, Barrier	143971	3
13	Screw, Tapp, 4-40x.5, PAN, XREC	170284-08	6
-	Nut, Hex, 8-32, Line Cord Ground Lug	103237-832	1
-	Chassis, 502, US/Canada	173002-01	1
-	Euro/UK/AUS/Japan	173002-02	1

**Part List Notes:**

1. This part is not normally available from Customer Service. Approval from the Field Service Manager is required before ordering.
2. The individual parts located on the PCBs are listed in the Electrical Part List.
3. This part is critical for safety purposes. Failure to use a substitute part with the same safety characteristics as the recommended replacement part might create shock, fire and/or other hazards.



ECN: 25247  
Date Issued: 3/99

**Figure 1. 502 Controller Old Style Chassis**

# SUPPLEMENT

Table 2. Current Part Numbers

Item Number	Description	Part Number	Qty/ Assy.	Note
1	Screw, 6-32, Mach, Flat, Xrec	190623-008	5	
2	Screw, Mach, 4-40x.25, PAN, XREC	103140-04	9	
3	Clip, Heatsink	188599	2	
4	XFMR, US/Canada/Japan, 100V/120V EUR/AUS/UK, 220V/240V	180128-1 180128-2	1 1	⚠ 3
5	Nut, Hex, 8-32, Keps	118260-08	3	
6	Insulator, 9.25x7.56x.015, D/C	143948	1	⚠ 1, 3
7	Switch, Power, Rocker, SPST	143960	1	⚠ 3
8	Lens, LED, Clear, Chassis	144023	1	
9	Chassis, 502®, US/Canada Euro/UK/AUS/Japan	198373-001 198373-002	1 1	1
10	Screw, Tapp, 4-40x.375, PAN, XREC	170284-06	6	
11	PCB Assy, 502 (all versions)	143940-2	1	1, 2
12	Cover, Chassis, Controller	198374-001	1	
13	Line Cord, 3-Wire, USA/Canada 2-Wire, EU 2-Wire, Japan 3-Wire, UK 3-Wire, Aus	173242 173243 173244 173245 173246	1 1 1 1 1	⚠ 3
14	Tape, Foam, 0.50"	198408	1	

**Note:** If you are replacing the PCB assembly (item 11), you must also order heatsinks (item 3) as the PCB is not supplied with them. The heatsinks clip onto the voltage regulators in the positions shown in the drawing below.

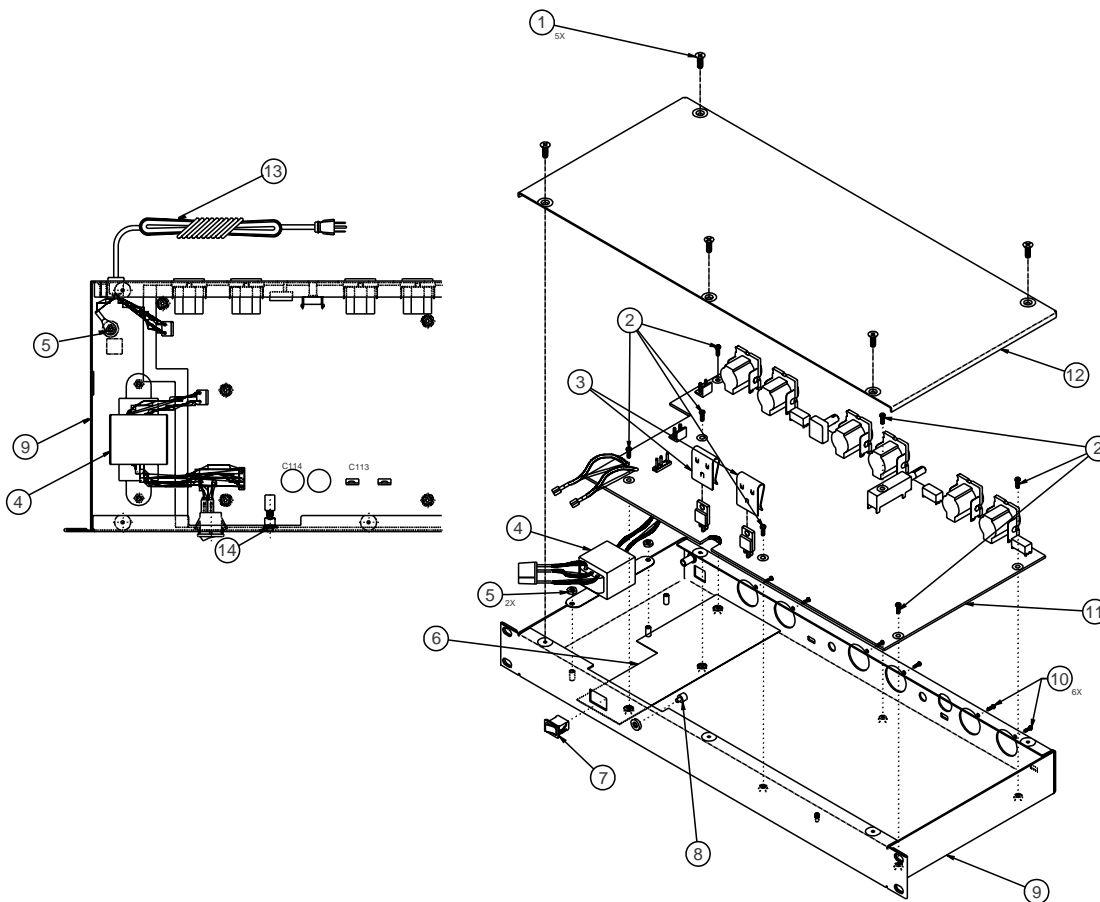


Figure 2. 502 Controller New Style Chassis