

AMM108

multipurpose loudspeaker

Product Overview

The AMM108 multipurpose loudspeaker features a passive, coaxial two-way design with a 1.7-inch compression driver, 8-inch low-frequency transducer, and high output: 128 dB peak. Its proprietary Beamwidth Matching Waveguide ensures signature Bose Professional sound quality, delivering consistent frequency response, clarity, and projection across the coverage area — a remarkably powerful audio experience for both performers and audiences. The AMM108 is equally suited for a variety of medium-throw sound reinforcement, monitor, and fill applications in permanent or portable sound systems and offers outstanding vocal clarity and projection. The AMM108 features consistent voicing with Bose Professional AM array modules and Bose Professional AMU utility loudspeakers. So it's easy to mix and match models from all three lines to create different types of systems.



Key Features

Compact high-output design delivers 128 dB peak via shared-magnet coaxial driver: 1.7-inch compression driver and 8-inch low-frequency driver

Multipurpose versatility for deployment as main, monitor, fill, or delay; extend system bandwidth to 35 Hz by pairing with AMS115 subwoofer

Consistent tonality and voicing with Bose Professional AM array modules and Bose Professional AMU utility loudspeakers — easily create entire systems and save substantial time during system configuration

Proprietary Beamwidth Matching Waveguide ensures signature sound quality, aligning low and high beamwidth through crossover region to deliver excellent tonal consistency across the coverage area

Multi-position enclosure with 110° × 60° coverage angle — easily swap horizontal and vertical coverage by simply rotating cabinet, no disassembly or tools required

Lightweight 13 kg (29 lb) cabinet with large, ergonomic handle and 35 mm pole cup for easy transportation and setup

Pair with Bose Professional PowerMatch amps and ControlSpace DSP for best performance and loudspeaker protection

Deploy easily in permanent or portable applications with optional U-bracket, suspension bracket, Pan-and-tilt bracket for RMU, or use the 6 integrated M10 inserts for custom suspension

Companion AMS115 multipurpose subwoofer also available — 15-inch transducer, low frequency down to 35 Hz, 130 dB peak output, 28 kg (63 lb) design with integrated M20 threaded pole mount and 12 M10 threaded inserts for suspension in permanent installations

AMM108

multipurpose loudspeaker

Technical Specifications

SINGLE-LOUDSPEAKER PERFORMANCE	
Frequency Response (-3 dB) ¹	88 - 17,000 Hz
Frequency Range (-10 dB)	75 - 20,000 Hz
Nominal Coverage Pattern	110° horizontal × 60° vertical
Tilt-back Angle	35°
Crossover	Internal passive; use Bose Professional-recommended presets for optimal performance
Power Handling, Long-term Continuous ²	150 W
Power Handling, Peak ³	2400 W
Sensitivity (SPL/1 W @ 1 m) ⁴	94 dB
Calculated Maximum SPL @ 1 m ⁵	116 dB
Calculated Peak SPL @ 1 m	128 dB
TRANSDUCERS	
Low Frequency	8-in (203 mm) woofer
High Frequency	1.7-in (43 mm) compression driver
Nominal Impedance	8 Ω, passive
PHYSICAL	
Enclosure Material	Baltic birch plywood
Finish	2-part spray polyurethane coating, black
Grille	Perforated steel, powder-coated finish, black
Environmental ⁶	IP43-rated (front-of-house position only)
Connectors	2 × Neutrik® NL4 inputs with wired-parallel through
Suspension/Mounting	1 × 35 mm (1.4 in) pole cup (for pole-mounting) 4 × M8 threaded inserts (for RMUBRKT1 attachment) 6 × M10 threaded inserts (for accessory attachment or mounting)
Dimensions (Width × Height × Depth)	318 mm × 318 mm × 268 mm (12.5 in × 12.5 in × 10.5 in)
Net Weight	13.04 kg (28.75 lb)
Shipping Weight	15.45 kg (34.06 lb)
Optional Accessories	AMM108 U-Bracket Kit; AMM Suspension Bracket; RMUBRKT1 (Pan-and-tilt Bracket for RMU)
PRODUCT CODES	
AMM108 Loudspeaker	843160-0110 (AMM108 MULTIPURPOSE LDSPKR)
AMM108 U-Bracket Kit	843367-0010 (AMM108 U-BRACKET)
AMM Suspension Bracket	843344-0010 (AMM SUSPENSION BRACKET)
RMUBRKT1 (Pan-and-tilt Bracket for RMU), Black	738453-0110 (RMU PAN&TILT BRACKET BLK)

(1) Frequency response and range measured on-axis in anechoic environment with recommended loudspeaker processing. Frequency response graphs display SPL axis with 0 dB line referenced to sensitivity SPL value.

(2) Bose Professional extended-lifecycle test using pink noise filtered to meet IEC268-5, 6-dB crest factor, 500-hour duration.

(3) Bose Professional peak power test using 12-dB crest factor pink noise, 96-hour duration with recommended loudspeaker processing.

(4) Sensitivity measured in anechoic environment with recommended loudspeaker processing.

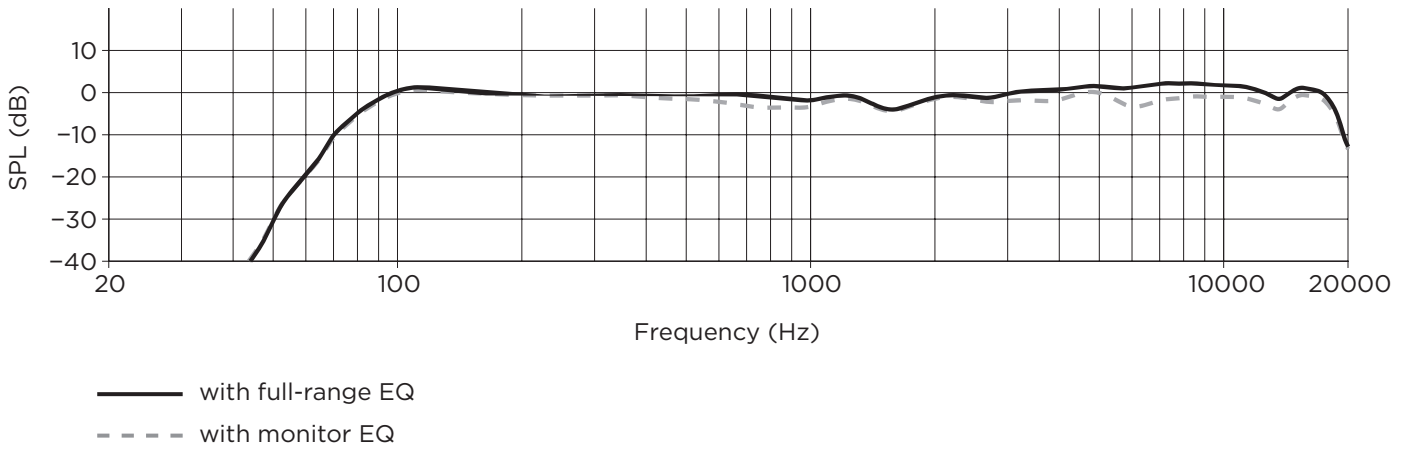
(5) Maximum SPL calculated using sensitivity and power ratings, exclusive of power compression.

(6) IP43 rating applies when loudspeaker is positioned upright (front-of-house application). Rating does not apply when in tilt-back (monitor application) position.

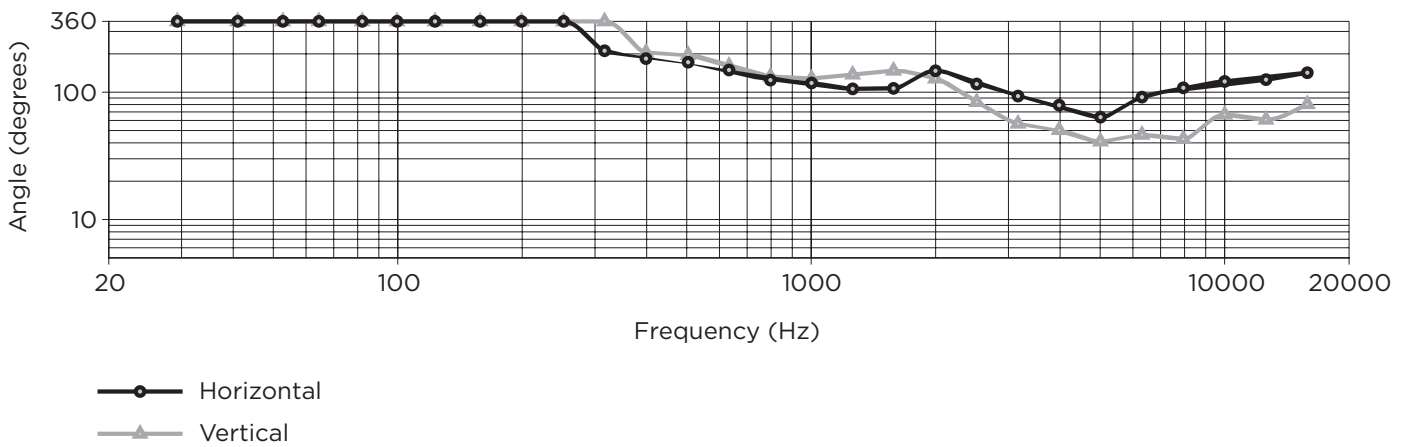
AMM108

multipurpose loudspeaker

Frequency Response ¹



Beamwidth



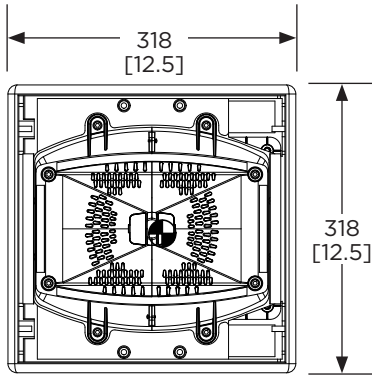
TECHNICAL DATA

AMM108

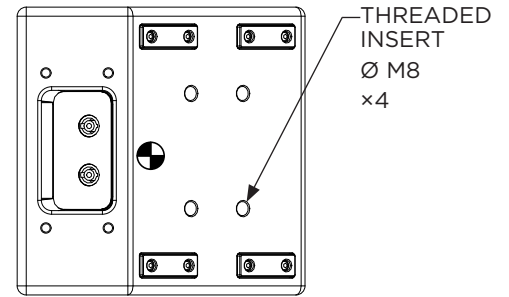
multipurpose loudspeaker

Dimensions

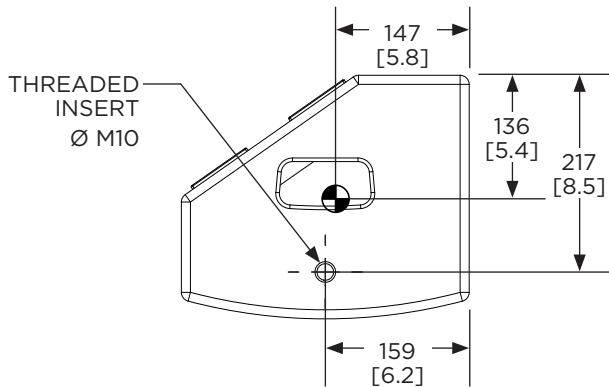
Front View
GRILLE NOT SHOWN



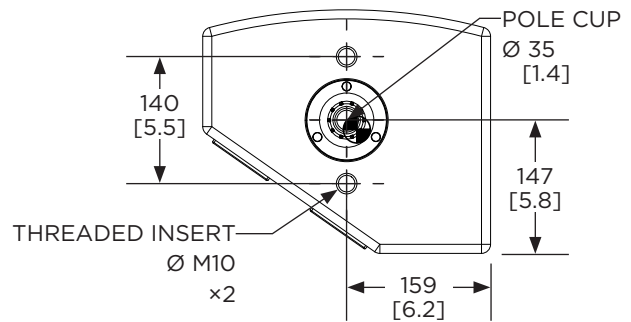
Rear View



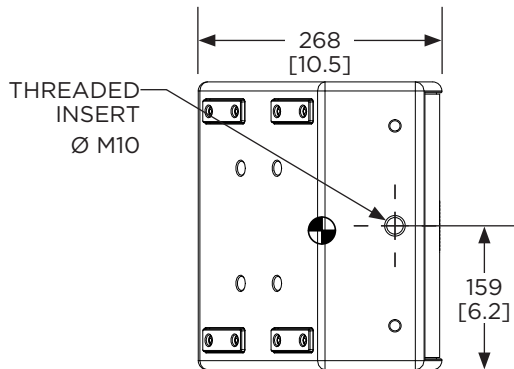
Top View



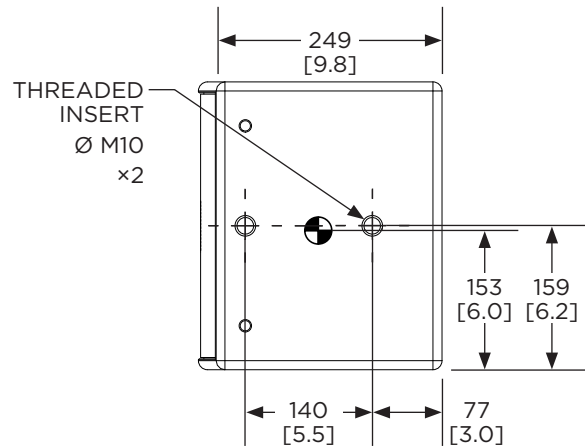
Bottom View



Left View



Right View



NOTES:

1. DIMENSIONS ARE IN MILLIMETERS OVER INCHES.
2. WEIGHT APPROXIMATELY 13.04 KILOGRAMS (28.75 POUNDS).
3. SYMBOL INDICATES CENTER OF GRAVITY.

© 2023 Transom Post OpCo LLC.

Bose is a trademark of Bose Corporation. ControlSpace and PowerMatch are trademarks of Transom Post OpCo LLC. Neutrik is a registered trademark of Neutrik AG. All other trademarks are the property of their respective owners.

For additional specifications and application information, please visit BOSEPROFESSIONAL.COM. Specifications subject to change without notice. 05/2023